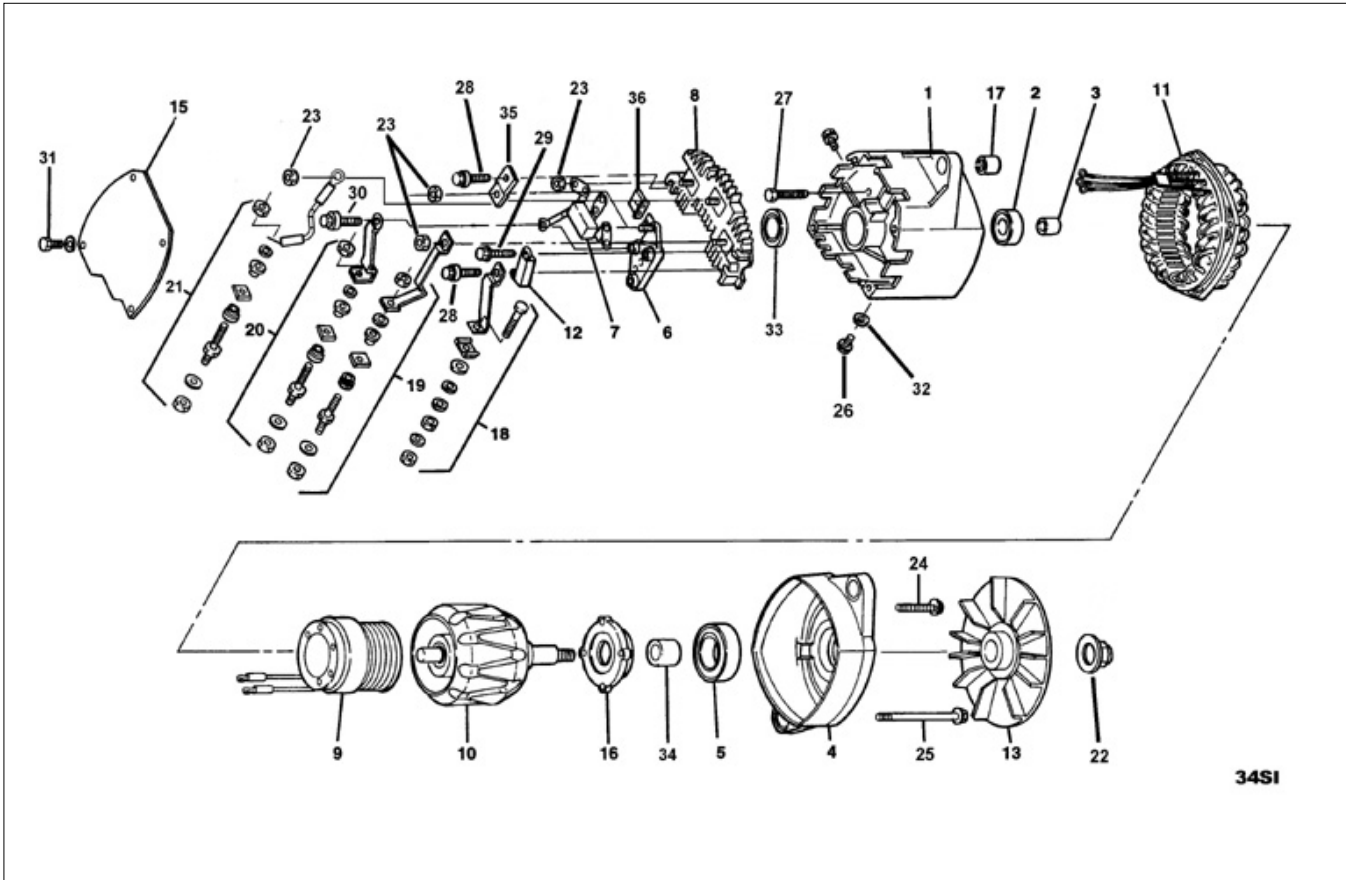


34SI

Ref No	Description	Part Number	Notation	Qty Reqd
00	NUT ASM.	1851808	Bridge Term. Stud	3
00	SCREW ASM.	1894458	Regulator Atch. (Ground)	1
01	HOUSING-RECT	10491342		1
02	ROLLER BEARING	9436064	Outer Race & Roller - Rectifier End	1
03	RACE-ROLLER BEARING	NA	Inner Race & Roller - Rectifier End	1
04	FRAME-DE	10491185		1
05	BALL BEARING ASM.	10472935		1
06	REGULATOR	1116433		1
07	DIODE TRIO	10491182		1
08	RECTIFIER ASSY	10469265		1
09	FIELD COIL & SUPPORT ASM.	10491238		1
10	ROTOR ASSY	1968904		1
11	STATOR ASM	10491242		1
12	CAPACITOR	10500027		1
13	FAN	10467133		1
15	COVER	10491181	Rectifier End	1
16	PLATE-RETAINER	10497221	Ball Bearing DE	1
17	BUSHING	1892765	Rectifier Housing Mounting	1
18	SERV PKG, BATTERY TERM	10457488		1
19	RELAY TERMINAL & LEAD ASM	10457486		1
20	SERV PKG, INDICATOR LIGHT TERM	10457487		1
22	NUT SHAFT	10484823		1
23	NUT ASM.	1851808	Regulator Stud	1



Ref No	Description	Part Number	Notation	Qty Reqd
24	SCREW ASM.	10497222	Bearing Retaining Atch. - DE	4
25	THRU BOLT	10491236		4
26	SCREW	9427129	Ground	1
27	SCREW	1968945	Field Coil & Support Atch.	4
28	SCREW ASM.	1894458	Rectifier Bridge Atch. (Ground)	2
29	SCREW ASM.	10500028	Rectifier Bridge Atch. (Insul.)	2
30	SCREW ASM.	1976061	Regulator Atch. (Insul.)	2
31	SCREW ASM.	1894641	Atch. Rectifier End Cover	4
32	LOCKWASHER	STD HWD	Ground Screw	1
33	PLUG-BEARING WELL	1876813	Rectifier End	1
34	COLLAR	10497218	(Inside) Space - DE Bearing	1
36	BOOT	10476720	Regulator Term.	1