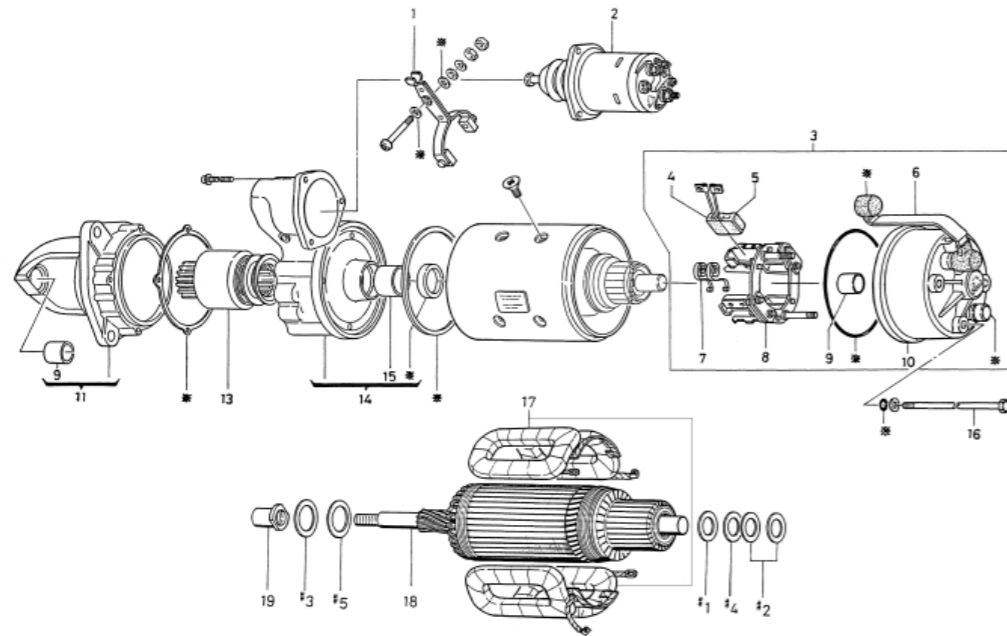


0-21000-3391 STARTING MOTOR

OEM CUSTOMER	KOMATSU	OEM PARTS NUMBER	600-813-2413
NOMINAL OUTPUT	24V 7.5Kw	SUPPLY TERM	78.12~
WEIGHT	24.5kg	SWITCH	
ENGINE MODEL	NH220		
VEHICLE	D60,70,80,85		
OLD MODEL RECORD	0-21000-3390 → 3391		
DESIGN RECORD	3390 → 3391 MAG. SW COIL HEAT RESISTANCE		
NOTE	WATER PROOF OIL PROOF φ130		



0-21000-3391

0-21000-3391 STARTING MOTOR (MAKER PART NO 600-813-2413)

No	Parts Number	Maker Parts No	Description	Qty	List Price	Note
1	7-21320-0790		SHIFT LEVER CO	1		
2	0-47100-3040		MAG.SWITCH ASSY	1		
3	7-21700-0180		R.BRACKET ASSY	1		INCLUDING 4-10
4	1-21740-0680		BRUSH CO	4		
5	1-21740-0690		BRUSH CO	4		
6	1-21784-1260		CONNECT BAR	1		
7	1-21913-0360		BRUSH SPRING	8		
8	0-21750-1440		BRUSH HOLDER CO	1		
9	7-21351-0954		METAL	2		FRONT, REAR
10	0-21700-1670		R.BRACKET ASSY	1		INCLUDING 9
11	1-21300-1970		F.BRACKET ASSY	1		INCLUDING 9
13	1-21500-1530		O.R.CLUTCH ASSY	1		
14	1-21600-1420		C.BRACKET ASSY	1		INCLUDING OIL SEAL, 15
15	7-21351-0970		METAL	1		CENTER
16	0-21901-1660		BOLT	4		THROUGH BOLT
17	7-21230-0090		FIELD COIL ASSY	1		
18	1-21100-1210		ARMATURE CO	1		INCLUDING 19
19	1-21181-0310		PINION STOPPER	1		
#1	1-21921-0660		WASHER	1		
#2	1-21921-0980		WASHER	2		
#3	1-21941-0600		INSULATE WASHER	1		
#4	1-21941-0580		INSULATE WASHER	1		
#5	1-21921-1440		WASHER	1		
※	7-09210-0130		SEAL ASSY	1		

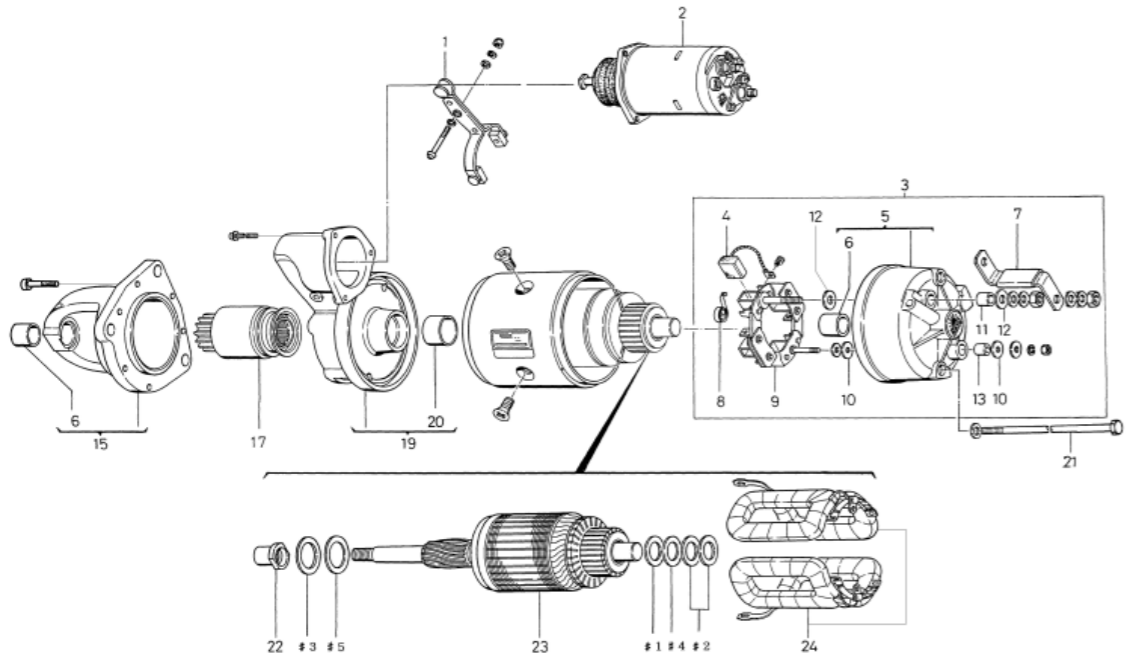
7-09210-0130	SEAL ASSY	
1-0345-05001	SEAL WASHER	1
1-0345-06001	SEAL WASHER	2
1-0505-00801	O RING	4
1-0506-01001	O RING	1
1-09210-1010	OIL SEAL	1
1-09211-0360	O RING	1
1-09252-0370	GUM CAP	1
1-09252-0380	GUM CAP	2
1-21951-1900	PACKING	1
1-21951-1910	PACKING	1
1-21951-1920	PACKING	1

0-21000-3651 STARTING MOTOR

0-21000-3651 STARTING MOTOR (MAKER PART NO 1-81100043-2)

OEM CUSTOMER	ISUZU	OEM PARTS NUMBER	1-81100043-2
NOMINAL OUTPUT	24V 3.7Kw	SUPPLY TERM	78.12~
WEIGHT	15.7kg	SWITCH	
ENGINE MODEL	DA		
VEHICLE	DB		
OLD MODEL RECORD			
DESIGN RECORD			
NOTE	DRIP PROOF $\phi 125$ 0-21000-3641 RELAY LESS IS THIS MODEL		

No	Parts Number	Maker Parts No	Description	Qty	List Price	Note
1	7-21320-0780	1-81127020-0	SHIFT LEVER CO	1		
2	0-47100-3030	1-81151047-0	MAG.SWITCH ASSY	1		
3	7-21700-0160	1-81115007-0	R.BRACKET ASSY	1		INCLUDING 4-13
4	0-21740-0445	1-81116006-0	BRUSH CO	4		
5	1-21700-1640	1-81115036-0	R.BRACKET ASSY	1		INCLUDING 6
6	7-21351-0954		METAL	2		FRONT, REAR
7	1-21784-1220	1-81116012-0	CONNECT BAR	1		
8	1-21913-0370	1-81117012-0	BRUSH SPRING	4		
9	0-21750-1432	1-81118018-0	BRUSH HOLDER CO	1		
10	1-21941-0590	1-81129101-0	INSULATE WASHER	2		
11	1-21944-1060	1-81129102-0	INSULATE TUBE	1		
12	1-21941-0230	1-81129103-0	INSULATE WASHER	2		
13	1-21944-1050	1-81129098-0	INSULATE TUBE	1		
15	1-21300-1930	1-81113007-0	F.BRACKET ASSY	1		INCLUDING 6
17	1-21500-1590	1-81122004-0	O.R.CLUTCH ASSY	1		
19	1-21600-1440	1-81114025-0	C.BRACKET ASSY	1		INCLUDING 20
20	7-21351-0964	1-81129030-0	METAL	1		CENTER
21	0-21901-1670	1-81129034-0	BOLT	2		THROUGH BOLT
22	1-21181-0310	1-81129036-0	PINION STOPPER	1		
23	1-21100-1190	1-81121007-0	ARMATURE CO	1		INCLUDING 22
24	7-21230-0080	1-81112015-0	FIELD COIL ASSY	1		
#1	1-21921-0660	9-82115477-0	WASHER	1		
#2	1-21921-0980	1-81129027-0	WASHER	2		
#3	1-21921-1440	5-81129107-0	WASHER	1		
#4	1-21941-0580	1-81129028-0	INSULATE WASHER	1		
#5	1-21941-0600	1-81129033-0	INSULATE WASHER	1		

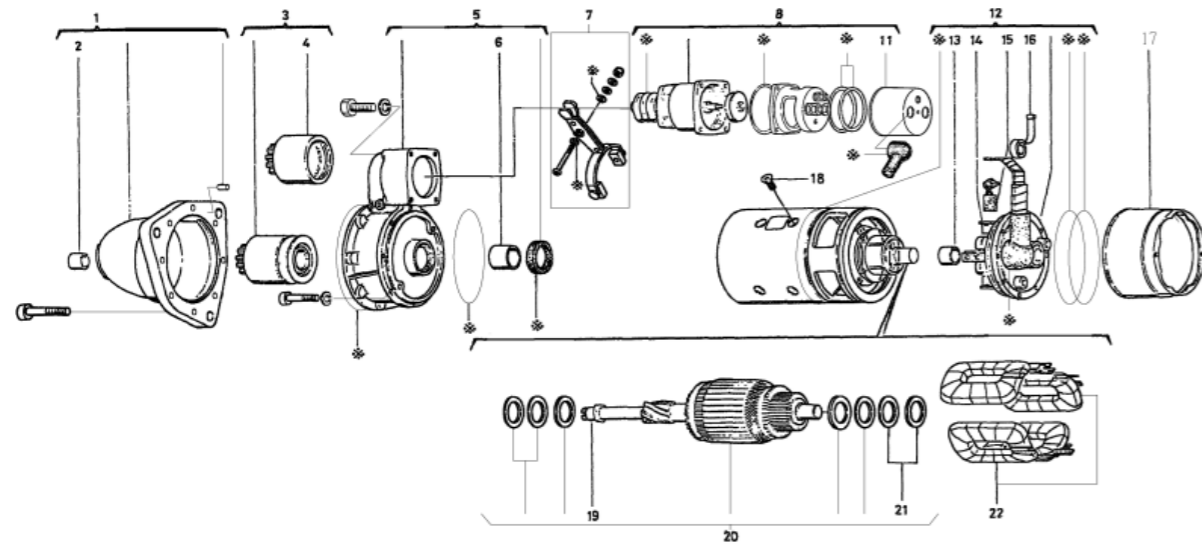


0-21000-3790 STARTING MOTOR

OEM CUSTOMER	KOMATSU	OEM PARTS NUMBER	600-813-2753
NOMINAL OUTPUT	24V 11Kw	SUPPLY TERM	75.02~
WEIGHT	45kg	SWITCH	
ENGINE MODEL	4D155		
VEHICLE	D150, D155		
OLD MODEL RECORD	0-21000-2312 → 3790		
DESIGN RECORD	2312 → 3790 O.R.CLUTCH ASSY, F.BRACKET AND MAG. SW CHANGED		
NOTE	WATER PROOF OIL PROOF ϕ 150		

0-21000-3790 STARTING MOTOR (MAKER PART NO 600-813-2753)

No	Parts Number	Maker Parts No	Description	Qty	List Price	Note
1	7-21300-0150		F.BRACKET ASSY	1		INCLUDING 2
2	1-21351-1000		METAL	1		FRONT
3	1-21500-1750		O.R.CLUTCH ASSY	1		INCLUDING 4
4	1-21510-1670		PINION CO	1		
5	7-21600-0080		C.BRACKET ASSY	1		INCLUDING OIL SEAL, 6
6	1-21351-0060		METAL	1		CENTER
7	7-21320-0070		SHIFT LEVER ASSY	1		
8	7-47100-0180		MAG. SWITCH ASSY	1		INCLUDING 11
11	1-47761-0190		COVER CO	1		
12	7-21700-0100		R. BRACKET ASSY	1		INCLUDING 13-16
13	7-21351-0140		METAL	1		REAR
14	0-21750-1260		BRUSH HOLDER CO	1		
15	0-21740-0374		BRUSH CO	8		
16	1-21913-0120		BRUSH SPRING	8		
17	1-21761-1180		COVER	1		
18	1-0060-10182		DISH SCREW	8		
19	1-21181-0122		PINION STOPPER	1		
20	7-21100-0080		ARMATURE ASSY	1		INCLUDING 19, 21
21	1-21921-0280		WASHER	2		
22	7-21230-0060		FIELD COIL ASSY	1		
※	7-09210-0030		SEAL ASSY	1		



0-21000-3790

7-09210-0030	SEAL ASSY	
1-0345-06001	SEAL WASHER	3
1-0507-07501	O RING	1
1-0507-08001	O RING	2
1-0507-12001	O RING	2
1-0507-13001	O RING	1
1-0507-14001	O RING	1
1-0507-14501	O RING	1
1-09210-0060	OIL SEAL	1
1-09252-0070	GUM CAP	1
1-09252-0210	GUM CAP	1
1-47952-0140	GUM CAP	1

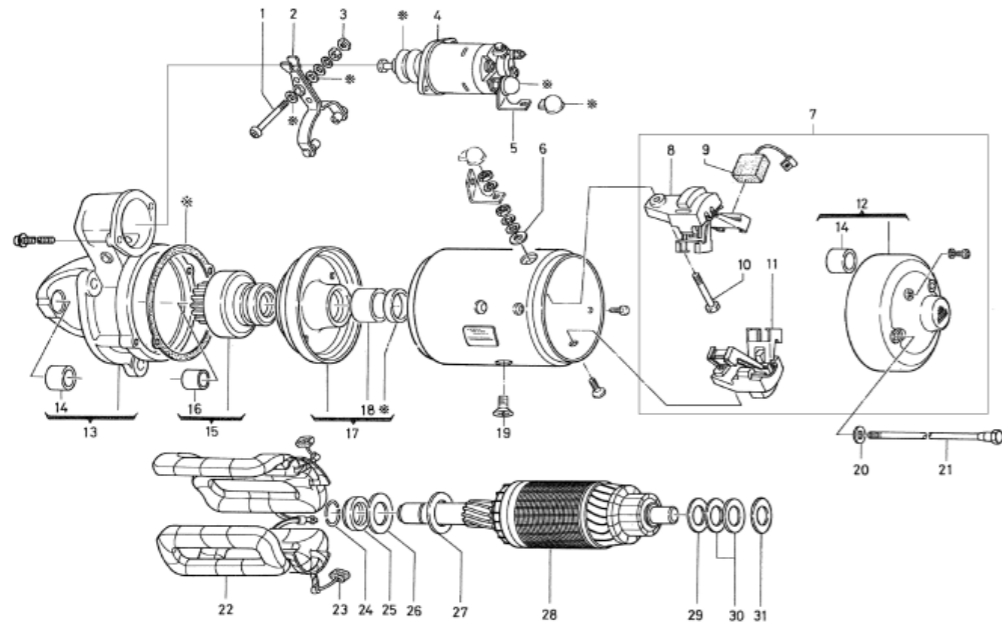
0-21000-4041 STARTING MOTOR

OEM CUSTOMER	KOMATSU	OEM PARTS NUMBER	600-813-2180
NOMINAL OUTPUT	24V 3.5Kw	SUPPLY TERM	79.11~
WEIGHT	10.3kg	SWITCH	
ENGINE MODEL	4D94		
VEHICLE	EC35V,EC50Z,EG30		
OLD MODEL RECORD	0-21000-4040 → 4041		
DESIGN RECORD	4040 → 4041 REMOVE O RING INSTALLED IN THE MOUNTING PORTION OF ENGINE		
NOTE	DRIP PROOF OIL PROOF φ 114		

0-21000-4041 STARTING MOTOR (MAKER PART NO 600-813-2180)

No	Parts Number	Maker Parts No	Description	Qty	List Price	Note
1	1-21303-0300		LEVER PIN	1		
2	1-21320-0810		SHIFT LEVER CO	1		
3	1-09279-0010		NUT	1		
4	7-47100-0130		MAG. SWITCH ASSY	1		
5	1-21784-1290		CONNECT BAR	1		
6	1-21941-0610		INSULATE WASHER	1		
7	7-21700-0430		R. BRACKET ASSY	1		INCLUDING 8-12 AND 14
8	1-21720-0190		BRUSH HOLDER CO	1		
9	0-21740-0495		BRUSH CO	2		(-)
10	1-21901-1710		BOLT (M.TERMINAL)	1		
11	1-21720-0200		BRUSH HOLDER CO	1		
12	1-21710-1120		R. BRACKET CO	1		INCLUDING 14
13	1-21310-1530		F.BRACKET CO	1		INCLUDING 14
14	7-23351-0225		METAL	2		FRONT, REAR
15	1-21500-1900		O.R.CLUTCH ASSY	1		INCLUDING 16
16	1-21351-0370		METAL	1		PINION
17	1-21600-1520		CENTER BRACKET ASSY	1		INCLUDING OIL SEAL, 18
18	7-21351-1014		METAL	1		CENTER
19	1-0060-08162		DISH SCREW	4		
20	1-47921-0790		WASHER	2		
21	0-21901-1720		BOLT	2		THROUGH BOLT
22	0-21230-0944		FIELD COIL CO	1		INCLUDING 23
23	1-21740-0503		BRUSH CO	2		(+)
24	1-21914-0170		CLIP RING	2		
25	1-21181-0200		PINION STOPPER	1		
26	1-21941-0620		INSULATE WASHER	1		
27	1-21921-1310		WASHER	1		
28	1-21100-1240		ARMATURE CO	1		
29	1-21921-1530		WASHER	1		
30	1-21921-0800		WASHER	2		FOR ADJUSTMENT
31	1-21941-0630		INSULATE WASHER	1		
※	7-09210-2990		SEAL ASSY	1		

7-09210-2990	SEAL ASSY	
1-0345-06001	SEAL WASHER	2
1-09210-0940	OIL SEAL	1
1-09252-0380	GUM CAP	2
1-21951-1930	PACKING	1
1-47952-0350	GUM CAP	1



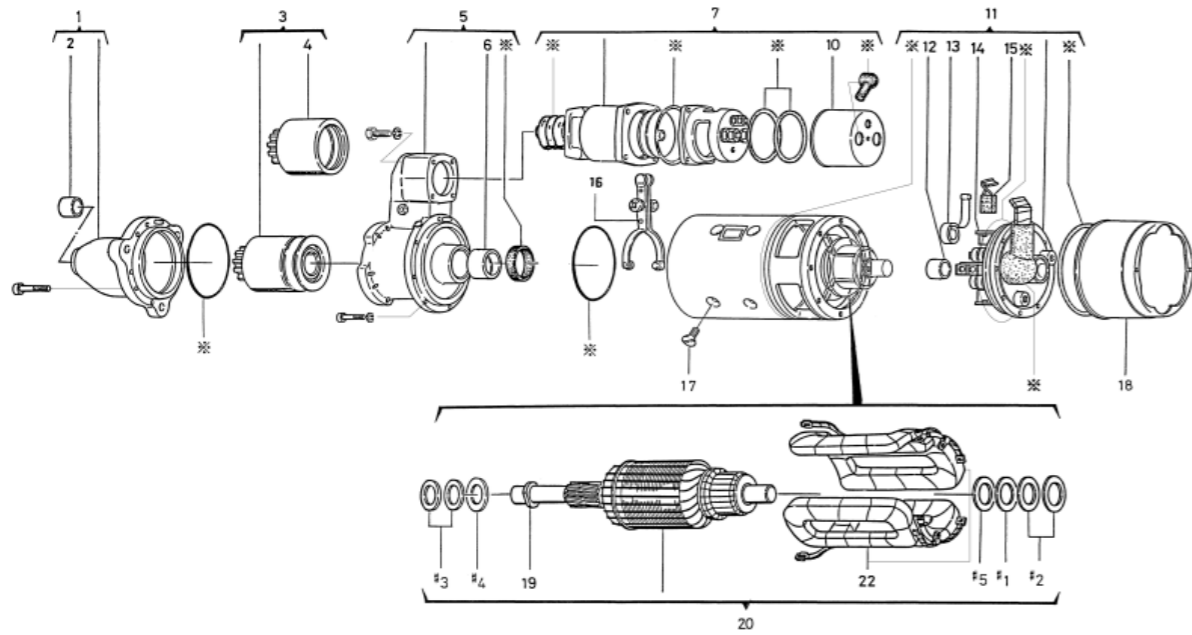
0-21000-4041

0-21000-4250 STARTING MOTOR

OEM CUSTOMER	KOMATSU	OEM PARTS NUMBER	600-813-2724
NOMINAL OUTPUT	24V 11Kw	SUPPLY TERM	78.01~
WEIGHT	44.5kg	SWITCH	
ENGINE MODEL	NTA855		
VEHICLE	WS-16, WS16S-2		
OLD MODEL RECORD	0-21000-2562 → 3910 → 4250		
DESIGN RECORD	2562 → 3910	O.R.CLUTCH ASSY, F.BRACKET CHANGED	
	3910 → 4250	C.BRACKET ASSY, YOKE CHANGED	
NOTE	WATER PROOF OIL PROOF φ 150		

0-21000-4250 STARTING MOTOR (MAKER PART NO 600-813-2724)

No	Parts Number	Maker Parts No	Description	Qty	List Price	Note
1	0-21300-2140		FRONT BRACKET CO	1		INCLUDING 2
2	1-21351-1000		METAL	1		FRONT
3	1-21500-1750		O.R.CLUTCH ASSY	1		INCLUDING 4
4	1-21510-1670		PINION CO	1		
5	0-21600-1550		C.BRACKET ASSY	1		INCLUDING OIL SEAL, 6
6	1-21351-0060		METAL	1		CENTER
7	7-47100-0180		MAG.SWITCH ASSY	1		INCLUDING 10
10	1-47761-0190		COVER CO	1		
11	7-21700-0100		R.BRACKET ASSY	1		INCLUDING 12-15
12	7-21351-0140		METAL	1		REAR
13	1-21913-0120		BRUSH SPRING	8		
14	0-21750-1260		BRUSH HOLDER CO	1		
15	0-21740-0374		BRUSH CO	8		
16	7-21320-0070		SHIFT LEVER ASSY	1		
17	1-0060-10182		DISH SCREW	8		
18	1-21761-1180		COVER	1		
19	1-21181-0122		PINION STOPPER	1		
20	7-21100-0080		ARMATURE ASSY	1		INC 19, #1-#5 (NOT INC 22)
22	7-21230-0060		FIELD COIL ASSY	1		
#1	1-21921-0060		WASHER	1		
#2	1-21921-0280		WASHER	2		
#3	1-21921-0100		WASHER	2		
#4	1-21921-0700		WASHER	1		
#5	1-21926-0090		RETAINER	1		
※	7-09210-3000		SEAL ASSY	1		



0-21000-4250

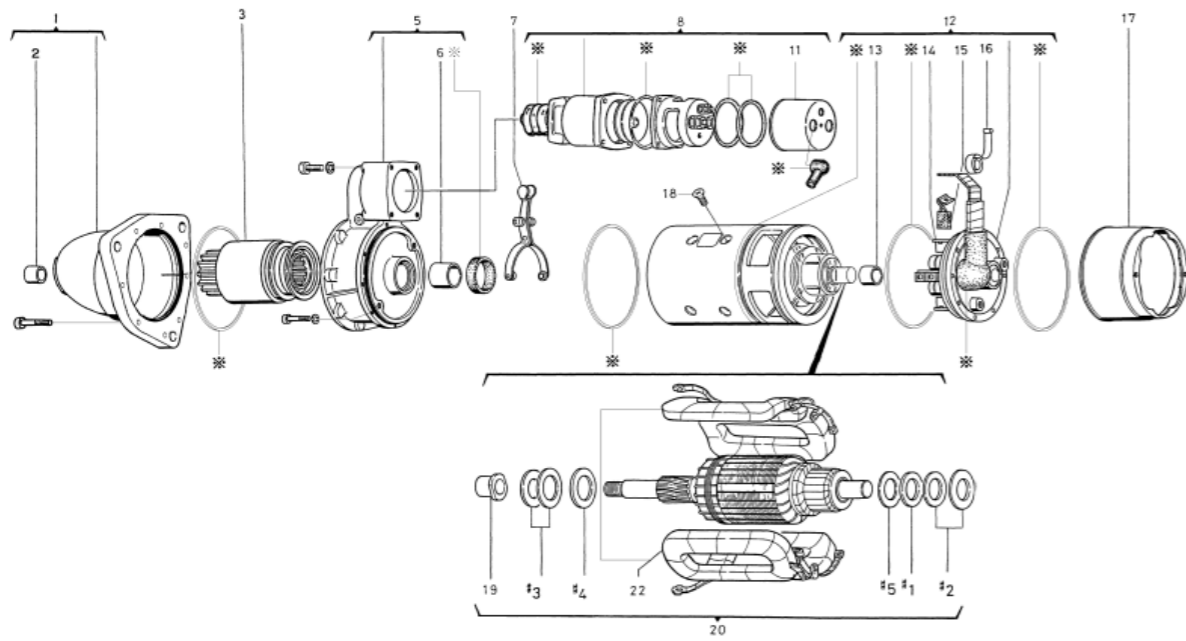
7-09210-3000	SEAL ASSY	
1-0345-06001	SEAL WASHER	3
1-0507-07501	O RING	1
1-0507-08001	O RING	2
1-0507-09501	O RING	1
1-0507-12001	O RING	2
1-0507-14001	O RING	1
1-0507-14501	O RING	1
1-09210-0060	OIL SEAL	1
1-09252-0070	GUM CAP	1
1-09252-0210	GUM CAP	1
1-47952-0140	GUM CAP	1

0-21000-4420 STARTING MOTOR

OEM CUSTOMER	KOMATSU	OEM PARTS NUMBER	600-813-2741
NOMINAL OUTPUT	24V 11Kw	SUPPLY TERM	78.04~
WEIGHT	45kg	SWITCH	
ENGINE MODEL	SA6D155		
VEHICLE	D155, D355C		
OLD MODEL RECORD	0-21000-2570 → 4420		
DESIGN RECORD	2570 → 4420 F.BRACKET, O.R.CLUTCH ASSY AND MAG. SW CHANGED		
NOTE	WATER PROOF OIL PROOF φ 150 COLD RESISTANCE OF 0-21000-3790		

0-21000-4420 STARTING MOTOR (MAKER PART NO 600-813-2741)

No	Parts Number	Maker Parts No	Description	Qty	List Price	Note
1	0-21300-2051		FRONT BRACKET ASSY	1		INCLUDING 2
2	1-21351-1000		METAL	1		FRONT
3	1-21500-1751		O.R.CLUTCH ASSY	1		
5	0-21600-1321		C.BRACKET ASSY	1		INCLUDING OIL SEAL, 6
6	1-21351-0060		METAL	1		CENTER
7	7-21320-0070		SHIFT LEVER ASSY	1		
8	7-47100-0181		MAG.SWITCH ASSY	1		INCLUDING 11
11	1-47761-0190		COVER CO	1		
12	7-21700-0090		R.BRACKET ASSY	1		INCLUDING 13-16
13	7-21351-0140		METAL	1		REAR
14	0-21750-1260		BRUSH HOLDER CO	1		
15	0-21740-0374		BRUSH CO	8		
16	1-21913-0120		BRUSH SPRING	8		
17	1-21761-1180		COVER	1		
18	1-0060-10182		DISH SCREW	8		
19	1-21181-0122		PINION STOPPER	1		
20	7-21100-0080		ARMATURE ASSY	1		INC 19, #1-#5 (NOT INC 22)
22	7-21230-0060		FIELD COIL ASSY	1		
#1	1-21921-0060		WASHER	1		
#2	1-21921-0280		WASHER	2		
#3	1-21921-0100		WASHER	2		
#4	1-21921-0700		WASHER	1		
#5	1-21926-0090		RETAINER	1		
※	7-09210-3010		SEAL ASSY	1		



0-21000-4420

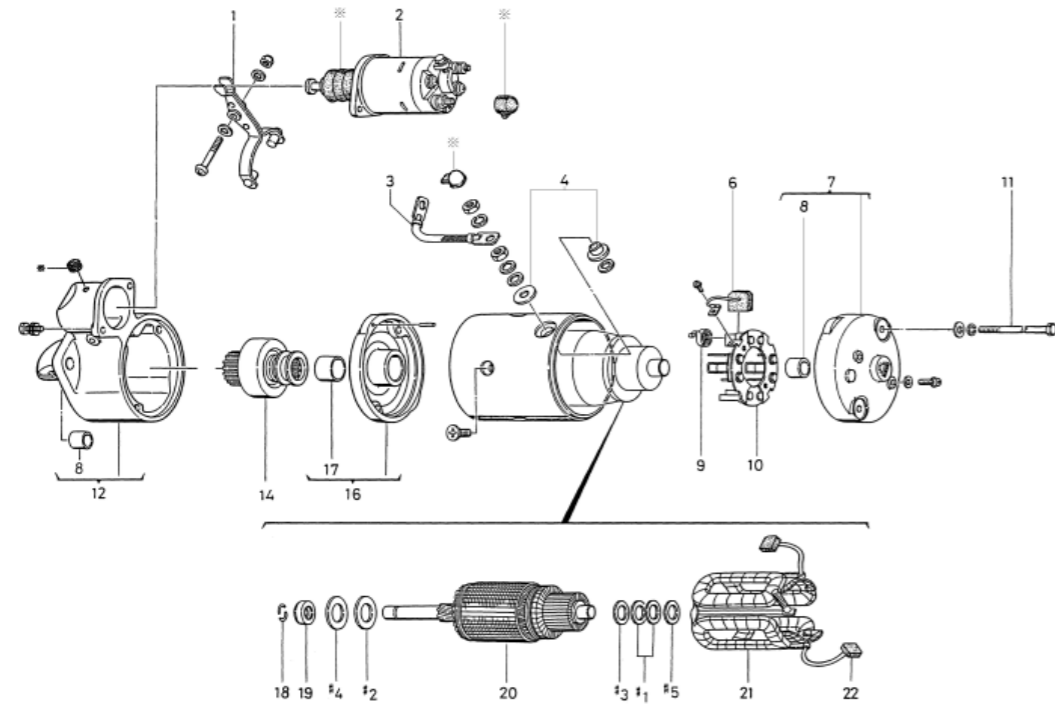
7-09210-3010	SEAL ASSY	
1-09252-0070	GUM CAP	1
1-09252-0210	GUM CAP	1
1-0345-06001	SEAL WASHER	3
1-0507-13001	O RING	1
1-0507-12001	O RING	2
1-0507-14001	O RING	1
1-0507-14501	O RING	1
1-09210-0700	OIL SEAL	1
1-47952-0160	GUM CAP	1

0-21000-4721 STARTING MOTOR

OEM CUSTOMER	ISUZU	OEM PARTS NUMBER	5-81100195-0
NOMINAL OUTPUT	24V 3.5Kw	SUPPLY TERM	80.07~
WEIGHT	10.6kg	SWITCH	
ENGINE MODEL	4BD1M, UM4BB1M		
VEHICLE	MARINE		
OLD MODEL RECORD			
DESIGN RECORD			
NOTE	DRIP PROOF ϕ 114 1-WIRE MARINE SPECIFICATION MARINE SPECIFICATION OF 0-21000-4720		

0-21000-4721 STARTING MOTOR (MAKER PART NO 5-81100195-0)

No	Parts Number	Maker Parts No	Description	Qty	List Price	Note
1	1-21320-0870	5-81127017-0	SHIFT LEVER CO	1		
2	0-47100-3261	5-81151055-0	MAG.SWITCH ASSY	1		
3	1-21785-0930	5-81159004-0	LEAD WIRE CO	1		
4	7-21780-0050	8-97044335-0	TERMINAL ASSY	1		
6	1-21740-0720	5-81116032-0	BRUSH CO	2		(-)
7	1-21710-1221	5-81115052-0	REAR BRACKET CO	1		INCLUDING 8
8	7-23351-0224	8-98155026-0	METAL	2		FRONT,REAR
9	1-23913-0020	1-81117015-0	BRUSH SPRING	4		
10	0-21750-1580	5-81118035-0	BRUSH HOLDER CO	1		
11	0-0094-06902	5-81129172-0	BOLT	2		THROUGH BOLT
12	1-21310-1871	5-81113054-0	FRONT BRACKET CO	1		INCLUDING 8
14	0-21500-2001	8-94366683-0	O.R.CLUTCH ASSY	1		
16	1-21610-1281	5-81114023-0	C.BRACKET CO	1		INCLUDING 17
17	7-21351-1014		METAL	1		CENTER
18	1-21914-0170	9-82115351-0	CLIP RING	2		
19	1-21181-0200	5-81129059-0	PINION STOPPER	1		
20	1-21100-1370	5-81121027-0	ARMATURE CO	1		
21	1-21230-1131	5-81112020-1	FIELD COIL CO	1		INCLUDING 22
22	1-21740-0710	5-81116031-0	BRUSH CO	2		(+)
#1	1-21921-0800	5-81128028-0	WASHER	2		
#2	1-21921-1310	5-81128033-0	WASHER	1		
#3	1-21921-1530	5-81129289-0	WASHER	1		
#4	1-21941-0620	5-81129066-0	INSULATE WASHER	1		
#5	1-21941-0630	5-81129067-0	INSULATE WASHER	1		
※	7-09210-0650	5-81129268-0	SEAL ASSY	1		



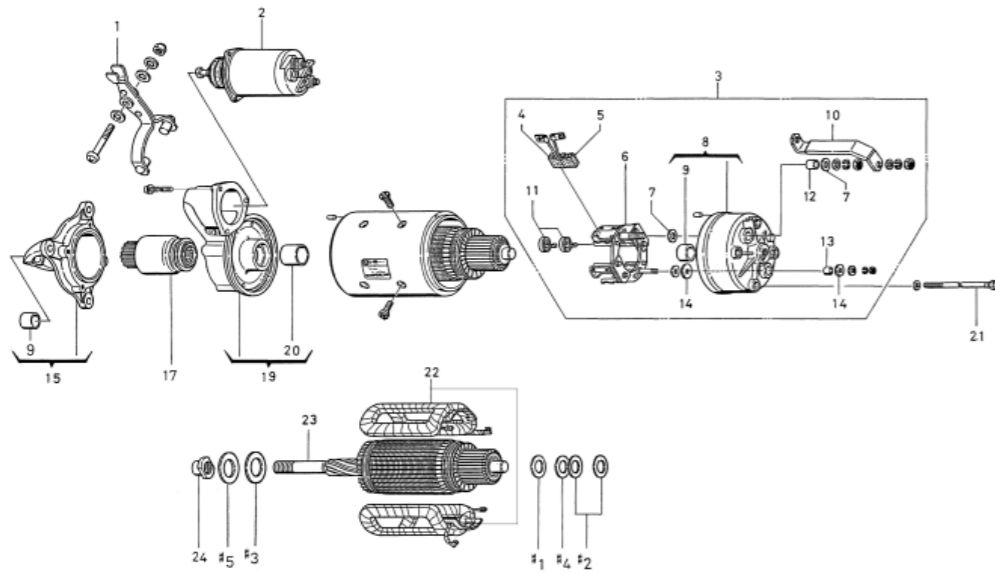
7-09210-0650	SEAL ASSY	
1-09252-0430	GUM CAP	1
1-09252-0460	GUM CAP	1
1-47952-0400	GUM CAP	1
1-47953-0081	GUM BUSH	1

0-21000-4740 STARTING MOTOR

OEM CUSTOMER	ISUZU	OEM PARTS NUMBER	1-81100164-0
NOMINAL OUTPUT	24V 7.4Kw	SUPPLY TERM	79.07~
WEIGHT	24.5kg	SWITCH	
ENGINE MODEL	DH100		
VEHICLE	INDUSTRY(XE), INDUSTRY(EK)		
OLD MODEL RECORD			
DESIGN RECORD			
NOTE	DRIP PROOF ϕ 130		

0-21000-4740 STARTING MOTOR (MAKER PART NO 1-81100164-0)

No	Parts Number	Maker Parts No	Description	Qty	List Price	Note
1	7-21320-0790	1-81127009-0	SHIFT LEVER CO	1		
2	0-47100-3040	1-81151026-1	MAG.SWITCH ASSY	1		
3	7-21700-0170	1-81115008-0	R.BRACKET ASSY	1		INCLUDING 4-14
4	1-21740-0680	1-81116021-0	BRUSH CO	4		
5	1-21740-0690	1-81116022-0	BRUSH CO	4		
6	0-21750-1440	1-81118001-0	BRUSH HOLDER CO	1		
7	1-21941-0230	1-81129103-0	INSULATE WASHER	2		
8	1-21700-1660	1-81115037-0	R.BRACKET ASSY	1		INCLUDING 9
9	7-21351-0954		METAL	2		FRONT, REAR
10	1-21784-1260	1-81129038-0	CONNECT BAR	1		
11	1-21913-0360	1-81117009-0	BRUSH SPRING	8		
12	1-21944-1060	1-81129102-0	INSULATE TUBU	1		
13	1-21944-1050	1-81129098-0	INSULATE TUBE	1		
14	1-21941-0590	1-81129101-0	INSULATE WASHER	2		
15	1-21300-1900	1-81113009-0	F.BRACKET ASSY	1		INCLUDING 9
17	1-21500-1652	1-81122022-0	O.R.CLUTCH ASSY	1		
19	1-21600-1430	1-81114007-0	C.BRACKET ASSY	1		INCLUDING 20
20	7-21351-0970	1-81129042-0	METAL	1		CENTER
21	0-21901-1660	1-81129025-0	BOLT	4		THROUGH BOLT
22	7-21230-0090	1-81112008-0	FIELD COIL ASSY	1		
23	1-21100-1210	1-81121008-0	ARMATURE CO	1		INCLUDING 24
24	1-21181-0310	1-81129036-0	PINION STOPPER	1		
#1	1-21921-0660	9-82115477-0	WASHER	1		
#2	1-21921-0980	1-81129027-0	WASHER	2		
#3	1-21921-1440	5-81129107-0	WASHER	1		
#4	1-21941-0580	1-81129028-0	INSULATE WASHER	1		
#5	1-21941-0600	1-81129033-0	INSULATE WASHER	1		



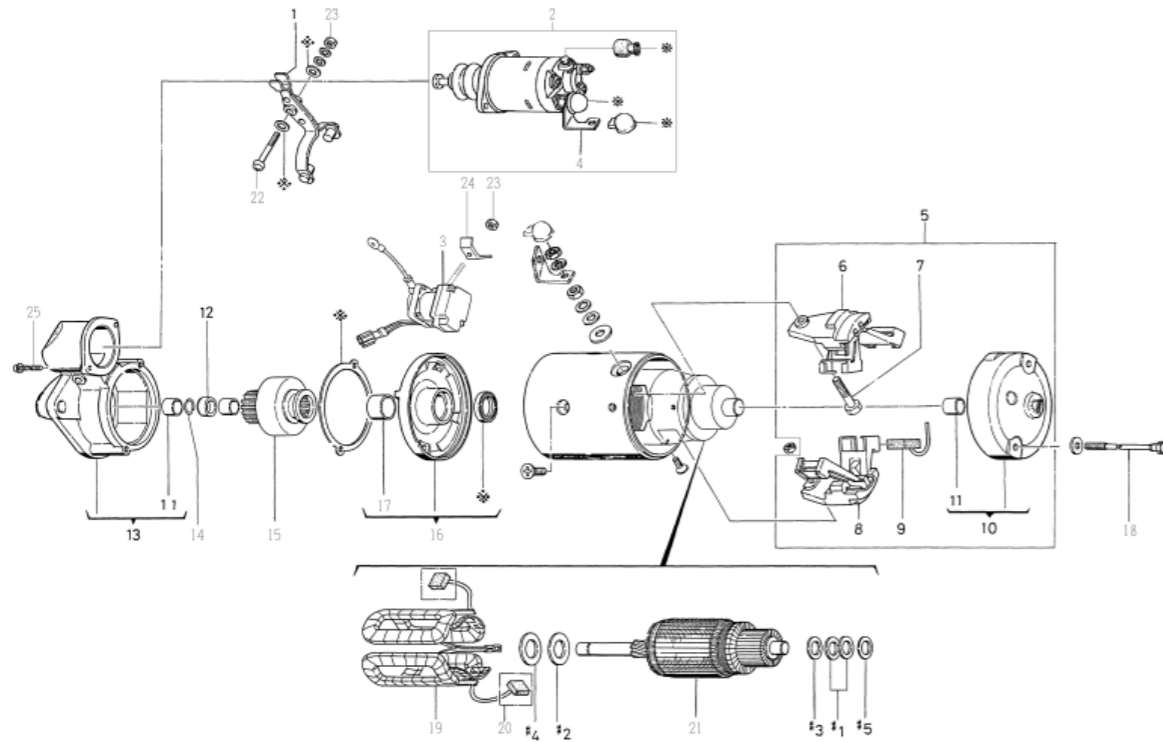
0-21000-4740

0-21000-4831 STARTING MOTOR

OEM CUSTOMER	KOMATSU	OEM PARTS NUMBER	600-813-2151
NOMINAL OUTPUT	24V 3.5Kw	SUPPLY TERM	99.10~
WEIGHT	10.7kg	SWITCH	SAFETY RELAY (INSTALLED ON LEFT)
ENGINE MODEL	S4D94		
VEHICLE	D20-5		
OLD MODEL RECORD	0-21000-4830 → 4831		
DESIGN RECORD	4830 → 4831 SFR CHANGED		
NOTE	DRIP PROOF OIL PROOF φ 114 0-21000-4830 IS THE ONE SFR IS ADDED TO 0-21000-4040.		

0-21000-4831 STARTING MOTOR (MAKER PART NO 600-813-2151)

No	Parts Number	Maker Parts No	Description	Qty	List Price	Note
1	1-21320-0810		SHIFT LEVER CO	1		
2	7-47100-0130		MAG.SWITCH ASSY	1		INCLUDING 4
3	7-25000-6101		SWITCH	1		
4	1-21784-1290		CONNECT BAR	1		
5	7-21700-0430		R.BRACKET ASSY	1		INCLUDING 6-11
6	1-21720-0190		BRUSH HOLDER CO	1		
7	1-21901-1710		BOLT	1		
8	1-21720-0200		BRUSH HOLDER CO	1		
9	0-21740-0495		BRUSH CO	2		(-)
10	1-21710-1120		REAR BRACKET CO	1		INCLUDING 11
11	7-23351-0225		METAL	2		FRONT,REAR
12	1-21181-0200		PINION STOPPER	1		
13	1-21310-1530		F.BRACKET ASSY	1		INCLUDING 11
14	1-21914-0170		CLIP RING	2		
15	1-21500-1900		O.R.CLUTCH ASSY	1		
16	1-21600-1520		CENTER BRACKET ASSY	1		INCLUDING OIL SEAL, 17
17	7-21351-1014		METAL	1		CENTER
18	0-21901-1720		BOLT	2		THROUGH BOLT
19	0-21230-0944		FIELD COIL CO	1		INCLUDING 20
20	1-21740-0503		BRUSH CO	2		(+)
21	1-21100-1240		ARMATURE CO	1		
22	1-21303-0300		LEVER PIN	1		
23	1-09279-0080		NUT	2		
24	1-47927-1070		HOLDER	1		
25	0-0056-05182		SCREW	2		
#1	1-21921-0800		WASHER	2		FOR ADJUSTING THRUST
#2	1-21921-1310		WASHER	1		
#3	1-21921-1530		WASHER	1		
#4	1-21941-0620		INSULATE WASHER	1		
#5	1-21941-0630		INSULATE WASHER	1		
※	7-09210-0730		SEAL ASSY	1		



0-21000-4831

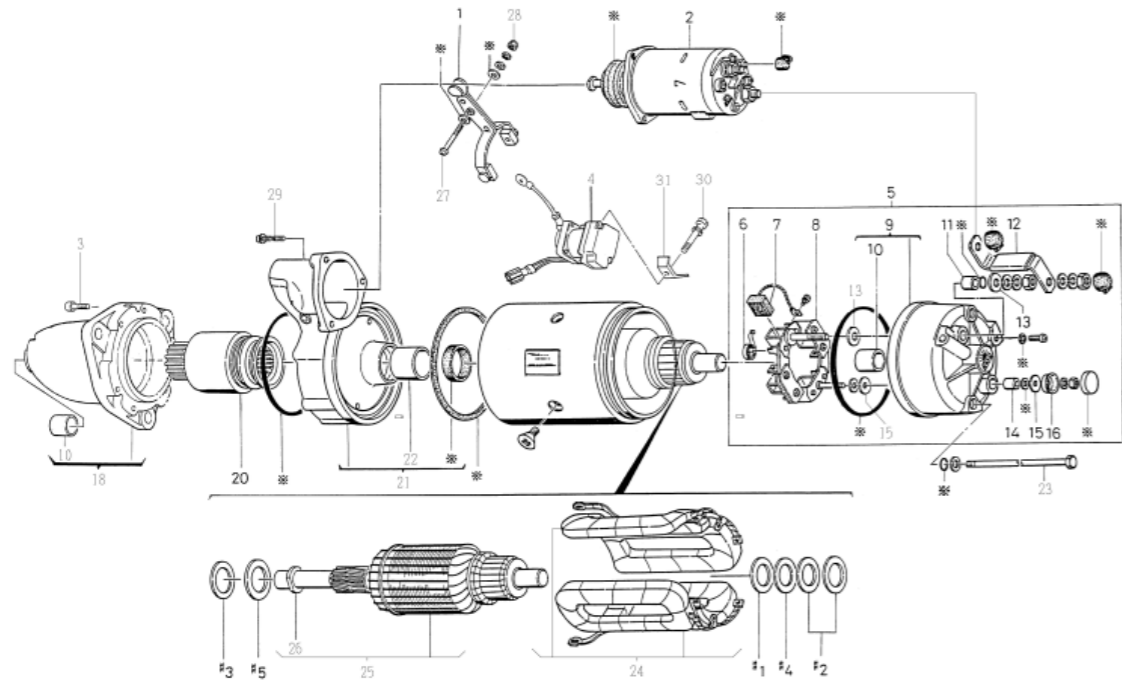
7-09210-0730	SEAL ASSY	
1-0345-06001	SEAL WASHER	2
1-09210-0940	OIL SEAL	1
1-09252-0380	GUM CAP	2
1-09252-0420	GUM CAP	1
1-21951-1930	PACKING	1

0-21000-4851 STARTING MOTOR

OEM CUSTOMER	KOMATSU	OEM PARTS NUMBER	600-813-2394
NOMINAL OUTPUT	24V 5.5Kw	SUPPLY TERM	99.10~
WEIGHT	16.2kg	SWITCH	SAFETY RELAY (INSTALLED ON LEFT)
ENGINE MODEL	4D130		
VEHICLE	D50, EC105		
OLD MODEL RECORD	0-21000-4850 → 4851		
DESIGN RECORD	4850 → 4851 SFR CHANGED		
NOTE	WATER PROOF OIL PROOF φ 125		

0-21000-4851 STARTING MOTOR (MAKER PART NO 600-813-2394)

No	Parts Number	Maker Parts No	Description	Qty	List Price	Note
1	7-21320-0780		SHIFT LEVER CO	1		
2	0-47100-3060		MAG.SWITCH ASSY	1		
3	1-0240-06185		BOLT	6		
4	0-25000-6092		SWITCH	1		
5	7-21700-0190		R.BRACKET ASSY	1		INCLUDING 6-16
6	1-21913-0370		BRUSH SPRING	4		
7	0-21740-0445		BRUSH CO	4		
8	0-21750-1432		BRUSH HOLDER CO	1		
9	0-21700-1690		R.BRACKET ASSY	1		INCLUDING 10
10	7-21351-0954		METAL	2		FRONT,REAR
11	1-21944-1060		INSULATE TUBE	1		
12	1-21784-1220		CONNECT BAR	1		
13	1-21941-0230		INSULATE WASHER	2		
14	1-21944-1050		INSULATE TUBE	1		
15	1-21941-0590		INSULATE WASHER	2		
16	1-21927-0160		HOLDER	1		
18	1-21300-1951		F.BRACKET ASSY	1		INCLUDING 10
20	1-21500-1600		O.R.CLUTCH ASSY	1		
21	1-21600-1460		CENTER BRACKET ASSY	1		INCLUDING OIL SEAL, 22
22	7-21351-0964		METAL	1		CENTER
23	0-21901-1670		BOLT	2		THROUGH BOLT
24	7-21230-0080		FIELD COIL ASSY	1		
25	1-21100-1190		ARMATURE CO	1		INCLUDING 26
26	1-21181-0310		PINION STOPPER	1		
27	1-21303-0300		LEVER PIN	1		
28	1-09279-0080		NUT	1		
29	1-0056-06202		SCREW	3		
30	0-0270-06602		BOLT	1		
31	1-47927-0920		HOLDER	1		
#1	1-21921-0660		WASHER	1		
#2	1-21921-0980		WASHER	2		FOR ADJUSTING THRUST
#3	1-21921-1440		WASHER	1		
#4	1-21941-0580		INSULATE WASHER	1		
#5	1-21941-0600		INSULATE WASHER	1		
※	7-09210-3030		SEAL ASSY	1		



0-21000-4851

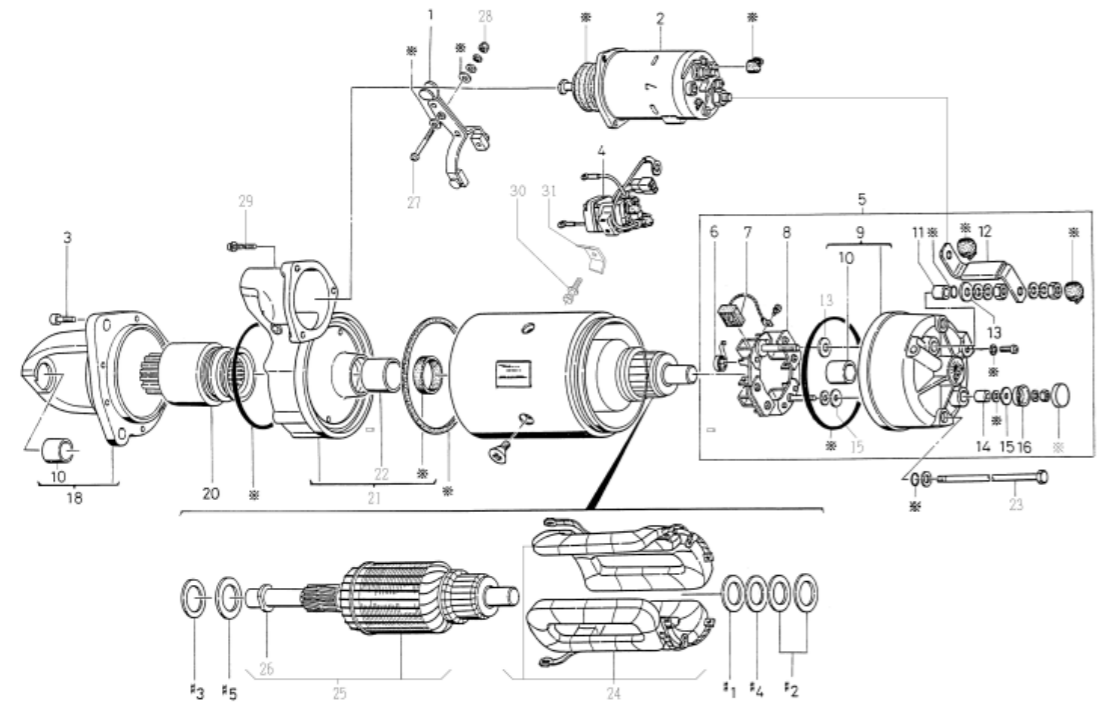
7-09210-3030	SEAL ASSY	
1-0345-05001	SEAL WASHER	1
1-0345-06001	SEAL WASHER	2
1-0505-00801	O RING	2
1-0506-01001	O RING	1
1-0507-09001	O RING	1
1-09210-1010	OIL SEAL	1
1-09211-0390	O RING	1
1-09252-0370	GUM CAP	1
1-09252-0380	GUM CAP	2
1-09252-0420	GUM CAP	1
1-21951-1910	PACKING	1
1-21951-1920	PACKING	1
1-47952-0370	GUM CAP	1

0-21000-4870 STARTING MOTOR

OEM CUSTOMER	KOMATSU	OEM PARTS NUMBER	600-813-2243
NOMINAL OUTPUT	24V 5.5Kw	SUPPLY TERM	80.06~
WEIGHT	16.2kg	SWITCH	SAFETY RELAY (INSTALLED ON RIGHT)
ENGINE MODEL	S6D105		
VEHICLE	FD150		
OLD MODEL RECORD			
DESIGN RECORD			
NOTE	WATER PROOF OIL PROOF ϕ 125		

0-21000-4870 STARTING MOTOR (MAKER PART NO 600-813-2243)

No	Parts Number	Maker Parts No	Description	Qty	List Price	Note
1	7-21320-0780		SHIFT LEVER CO	1		
2	0-47100-3060		MAG.SWITCH ASSY	1		
3	1-0240-06185		BOLT	6		
4	0-25000-6082		SWITCH	1		
5	7-21700-0190		R.BRACKET ASSY	1		INCLUDING 6-16
6	1-21913-0370		BRUSH SPRING	4		
7	0-21740-0445		BRUSH CO	4		
8	0-21750-1432		BRUSH HOLDER CO	1		
9	0-21700-1690		R.BRACKET ASSY	1		INCLUDING 10
10	7-21351-0954		METAL	2		FRONT,REAR
11	1-21944-1060		INSULATE TUBE	1		
12	1-21784-1220		CONNECT BAR	1		
13	1-21941-0230		INSULATE WASHER	2		
14	1-21944-1050		INSULATE TUBE	1		
15	1-21941-0590		INSULATE WASHER	2		
16	1-21927-0160		HOLDER	1		
18	1-21300-1960		F.BRACKET ASSY	1		INCLUDING 10
20	1-21500-1610		O.R.CLUTCH ASSY	1		
21	1-21600-1460		C.BRACKET ASSY	1		INCLUDING OIL SEAL, 22
22	7-21351-0964		METAL	1		CENTER
23	0-21901-1670		BOLT	2		THROUGH BOLT
24	7-21230-0080		FIELD COIL ASSY	1		
25	1-21100-1190		ARMATURE CO	1		INCLUDING 26
26	1-21181-0310		PINION STOPPER	1		
27	1-21303-0300		LEVER PIN	1		
28	1-09279-0080		NUT	1		
29	1-0056-06202		SCREW	3		
30	0-0270-06602		BOLT	1		
31	1-47927-0920		HOLDER	1		
#1	1-21921-0660		WASHER	1		
#2	1-21921-0980		WASHER	2		FOR ADJUSTING THRUST
#3	1-21921-1440		WASHER	1		
#4	1-21941-0580		INSULATE WASHER	1		
#5	1-21941-0600		INSULATE WASHER	1		
※	7-09210-3030		SEAL ASSY	1		



0-21000-4870

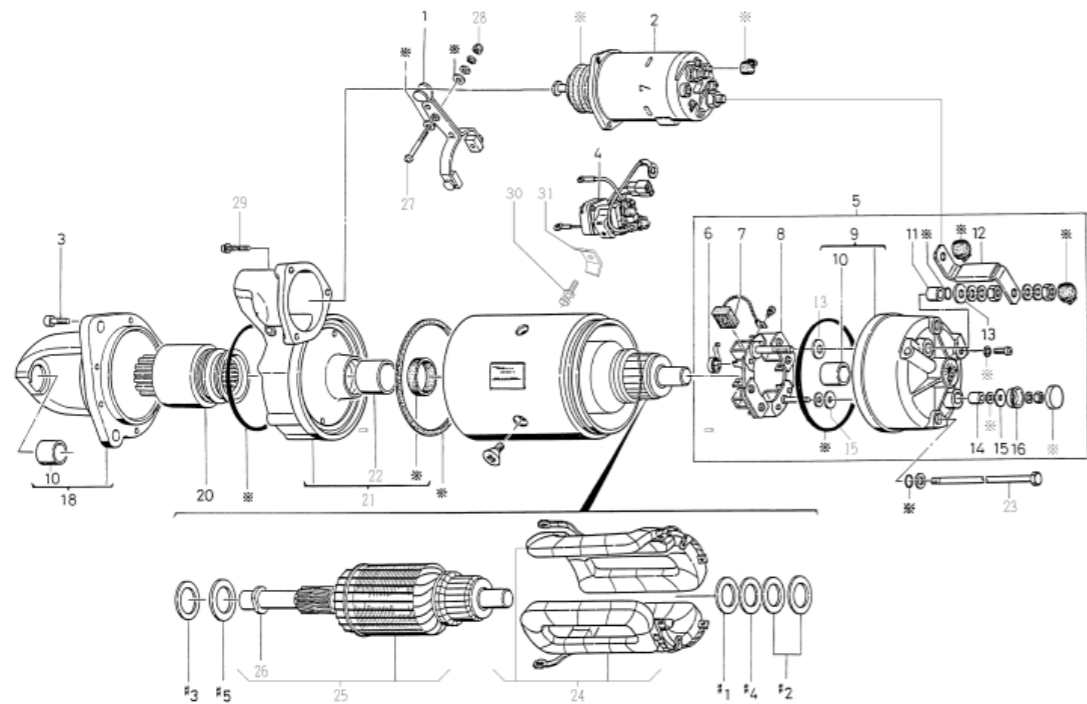
7-09210-3030	SEAL ASSY	
1-0345-05001	SEAL WASHER	1
1-0345-06001	SEAL WASHER	2
1-0505-00801	O RING	2
1-0506-01001	O RING	1
1-0507-09001	O RING	1
1-09210-1010	OIL SEAL	1
1-09211-0390	O RING	1
1-09252-0370	GUM CAP	1
1-09252-0380	GUM CAP	2
1-09252-0420	GUM CAP	1
1-21951-1910	PACKING	1
1-21951-1920	PACKING	1
1-47952-0370	GUM CAP	1

0-21000-4872 STARTING MOTOR

OEM CUSTOMER	KOMATSU	OEM PARTS NUMBER	600-813-2251
NOMINAL OUTPUT	24V 5.5Kw	SUPPLY TERM	99.10~
WEIGHT	16.2kg	SWITCH	SAFETY RELAY (INSTALLED ON RIGHT)
ENGINE MODEL	S6D105		
VEHICLE	D40, D45		
OLD MODEL RECORD	0-21000-4871 → 4872		
DESIGN RECORD	4871 → 4872 SFR CHANGED		
NOTE	WATER PROOF OIL PROOF φ 125		

0-21000-4872 STARTING MOTOR (MAKER PART NO 600-813-2251)

No	Parts Number	Maker Parts No	Description	Qty	List Price	Note
1	7-21320-0780		SHIFT LEVER CO	1		
2	0-47100-3030		MAG.SWITCH ASSY	1		
3	1-0240-06185		BOLT	6		
4	0-25000-8430		SWITCH	1		
5	7-21700-0190		R.BRACKET ASSY	1		INCLUDING 6-16
6	1-21913-0370		BRUSH SPRING	4		
7	0-21740-0445		BRUSH CO	4		
8	0-21750-1432		BRUSH HOLDER CO	1		
9	0-21700-1690		R.BRACKET ASSY	1		INCLUDING 10
10	7-21351-0954		METAL	2		FRONT,REAR
11	1-21944-1060		INSULATE TUBE	1		
12	1-21784-1220		CONNECT BAR	1		
13	1-21941-0230		INSULATE WASHER	2		
14	1-21944-1050		INSULATE TUBE	1		
15	1-21941-0590		INSULATE WASHER	2		
16	1-21927-0160		HOLDER	1		
18	1-21300-1960		F.BRACKET ASSY	1		INCLUDING 10
20	1-21500-1610		O.R.CLUTCH ASSY	1		
21	1-21600-1460		C.BRACKET ASSY	1		INCLUDING OIL SEAL, 22
22	7-21351-0964		METAL	1		CENTER
23	0-21901-1670		BOLT	2		THROUGH BOLT
24	7-21230-0080		FIELD COIL ASSY	1		
25	1-21100-1190		ARMATURE CO	1		INCLUDING 26
26	1-21181-0310		PINION STOPPER	1		
27	1-21303-0300		LEVER PIN	1		
28	1-09279-0080		NUT	1		
29	1-0056-06202		SCREW	3		
30	0-0270-06602		BOLT	1		
31	1-47927-0920		HOLDER	1		
#1	1-21921-0660		WASHER	1		
#2	1-21921-0980		WASHER	2		FOR ADJUSTING THRUST
#3	1-21921-1440		WASHER	1		
#4	1-21941-0580		INSULATE WASHER	1		
#5	1-21941-0600		INSULATE WASHER	1		
※	7-09210-3030		SEAL ASSY	1		



0-21000-4872

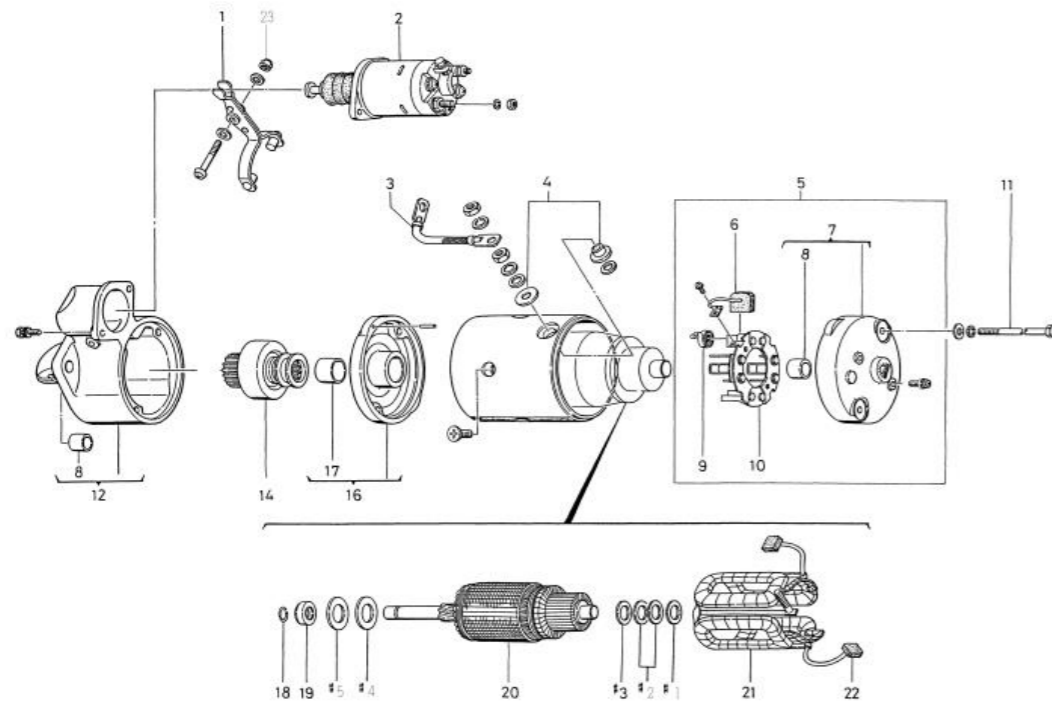
7-09210-3030	SEAL ASSY	
1-0345-05001	SEAL WASHER	1
1-0345-06001	SEAL WASHER	2
1-0505-00801	O RING	2
1-0506-01001	O RING	1
1-0507-09001	O RING	1
1-09210-1010	OIL SEAL	1
1-09211-0390	O RING	1
1-09252-0370	GUM CAP	1
1-09252-0380	GUM CAP	2
1-09252-0420	GUM CAP	1
1-21951-1910	PACKING	1
1-21951-1920	PACKING	1
1-47952-0370	GUM CAP	1

0-21000-4932 STARTING MOTOR

OEM CUSTOMER	ISUZU	OEM PARTS NUMBER	8-94142262-0
NOMINAL OUTPUT	24V 3.5Kw	SUPPLY TERM	83.06~
WEIGHT	10.6kg	SWITCH	
ENGINE MODEL	C240		
VEHICLE	INDUSTRY(XE), INDUSTRY(XV), INDUSTRY(CL)		
OLD MODEL RECORD	0-21000-3470 → 4930 → 4932		
DESIGN RECORD	3470 → 4930	REPLACEMENT MODEL	
	4930 → 4932	R.BRACKET CHANGED	
NOTE	DRIP PROOF φ114		

0-21000-4932 STARTING MOTOR (MAKER PART NO 8-94142262-0)

No	Parts Number	Maker Parts No	Description	Qty	List Price	Note
1	1-21320-0870	5-81127017-0	SHIFT LEVER CO	1		
2	0-47100-3180	5-81151038-0	MAG.SWITCH ASSY	1		
3	1-21785-0930	5-81159004-0	LEAD WIRE CO	1		
4	7-21780-0050	8-97044335-0	TERMINAL ASSY	1		
5	7-21700-0291	8-94143032-0	R.BRACKET ASSY	1		INCLUDING 6-10
6	1-21740-0720	5-81116032-0	BRUSH CO	2		(-)
7	1-21710-1223	8-94143031-0	REAR BRACKET CO	1		INCLUDING 8
8	7-23351-0224	8-98155026-0	METAL	1		FRONT, REAR
9	1-23913-0010	5-81117019-0	BRUSH SPRING	4		
10	0-21750-1560	5-81118020-0	BRUSH HOLDER CO	1		
11	0-0094-06902	5-81129172-0	BOLT	2		THROUGH BOLT
12	0-21310-1876	5-81113034-0	FRONT BRACKET CO	1		INCLUDING 8
14	1-21500-2060	5-81122027-0	O.R.CLUTCH ASSY	1		
16	1-21610-1280	5-81114019-0	C.BRACKET CO	1		INCLUDING 17
17	7-21351-1014	5-81119008-0	METAL	1		CENTER
18	1-21914-0170	9-82115351-0	CLIP RING	2		
19	1-21181-0200	5-81129059-0	PINION STOPPER	1		
20	1-21100-1370	5-81121027-0	ARMATURE CO	1		
21	1-21230-1130	5-81112020-0	FIELD COIL CO	1		INCLUDING 22
22	1-21740-0710	5-81116031-0	BRUSH CO	2		(+)
23	1-09279-0080	5-09400025-0	NUT	1		
#1	1-21941-0630	5-09503046-0	INSULATE WASHER	1		
#2	1-21921-0800	5-81128028-0	WASHER	2		
#3	1-21921-1530	1-81129289-0	WASHER	1		
#4	1-21921-1310	5-81128033-0	WASHER	1		
#5	1-21941-0620	5-09503045-0	INSULATE WASHER	1		



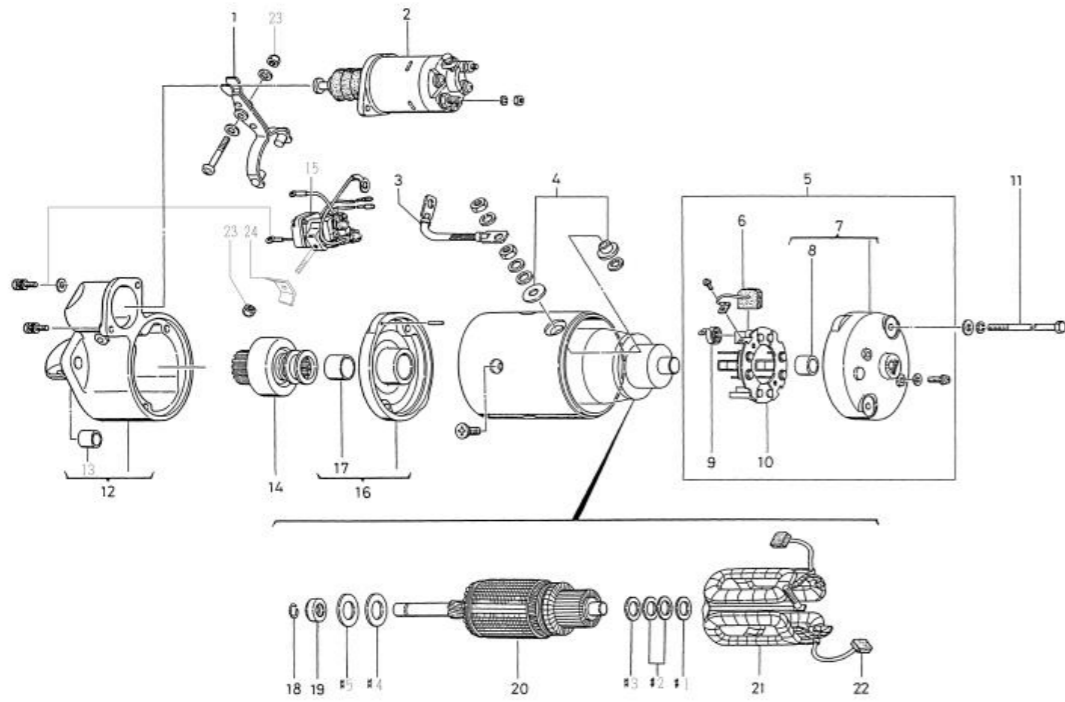
0-21000-4932

0-21000-4935 STARTING MOTOR

OEM CUSTOMER	ISUZU	OEM PARTS NUMBER	8-94366525-1
NOMINAL OUTPUT	24V 3.5Kw	SUPPLY TERM	01.06~
WEIGHT	11 kg	SWITCH	SAFETY RELAY (INSTALLED ON RIGHT)
ENGINE MODEL	4BD1T		
VEHICLE	INDUSTRY		
OLD MODEL RECORD	0-21000-4931 → 4933 → 4934 → 4935		
DESIGN RECORD	4931 → 4933	O.R.CLUTCH CHANGED	
	4933 → 4934	F.METAL CHANGED	
	4934 → 4935	SFR CHANGED	
NOTE	DRIP PROOF φ114 0-21000-4931 IS THE ONE SFR IS ADDED TO 0-21000-4720		

0-21000-4935 STARTING MOTOR (MAKER PART NO 8-94366525-1)

No	Parts Number	Maker Parts No	Description	Qty	List Price	Note
1	1-21320-0870	5-81127017-0	SHIFT LEVER CO	1		
2	0-47100-3180	5-81151038-0	MAG.SWITCH ASSY	1		
3	1-21785-0930	5-81159004-0	LEAD WIRE CO	1		
4	7-21780-0050	8-97044335-0	TERMINAL ASSY	1		
5	7-21700-0420		R.BRACKET ASSY	1		INCLUDING 6-10
6	1-21740-0720	5-81116032-0	BRUSH CO	2		(-)
7	1-21710-1220	5-81115032-0	REAR BRACKET CO	1		INCLUDING 8
8	7-23351-0224	8-98155026-0	METAL	1		REAR
9	1-23913-0010	5-81117019-0	BRUSH SPRING	4		
10	0-21750-1560	5-81118020-0	BRUSH HOLDER CO	1		
11	0-0094-06902	5-81129172-0	BOLT	2		THROUGH BOLT
12	0-21310-1876		FRONT BRACKET CO	1		INCLUDING 13
13	7-23351-0224	8-98155026-0	METAL	1		FRONT
14	0-21500-2001	8-94366683-0	O.R.CLUTCH ASSY	1		
15	0-25000-8610		SWITCH	1		
16	1-21610-1280	5-81114019-0	CENTER BRACKET CO	1		INCLUDING 17
17	7-21351-1014		METAL	1		CENTER
18	1-21914-0170	9-82115351-0	CLIP RING	2		
19	1-21181-0200	5-81129059-0	PINION STOPPER	1		
20	1-21100-1370	5-81121027-0	ARMATURE CO	1		
21	1-21230-1130	5-81112020-0	FIELD COIL CO	1		INCLUDING 22
22	1-21740-0710	5-81116031-0	BRUSH CO	2		(+)
23	1-09279-0080	5-09400025-0	NUT	2		
24	1-47927-1070		HOLDER	1		
#1	1-21941-0630	5-09503046-0	INSULATE WASHER	1		
#2	1-21921-0800	5-81128028-0	WASHER	2		
#3	1-21921-1530	1-81129289-0	WASHER	1		
#4	1-21921-1310	5-81128033-0	WASHER	1		
#5	1-21941-0620	5-09503045-0	INSULATE WASHER	1		



0-21000-4935

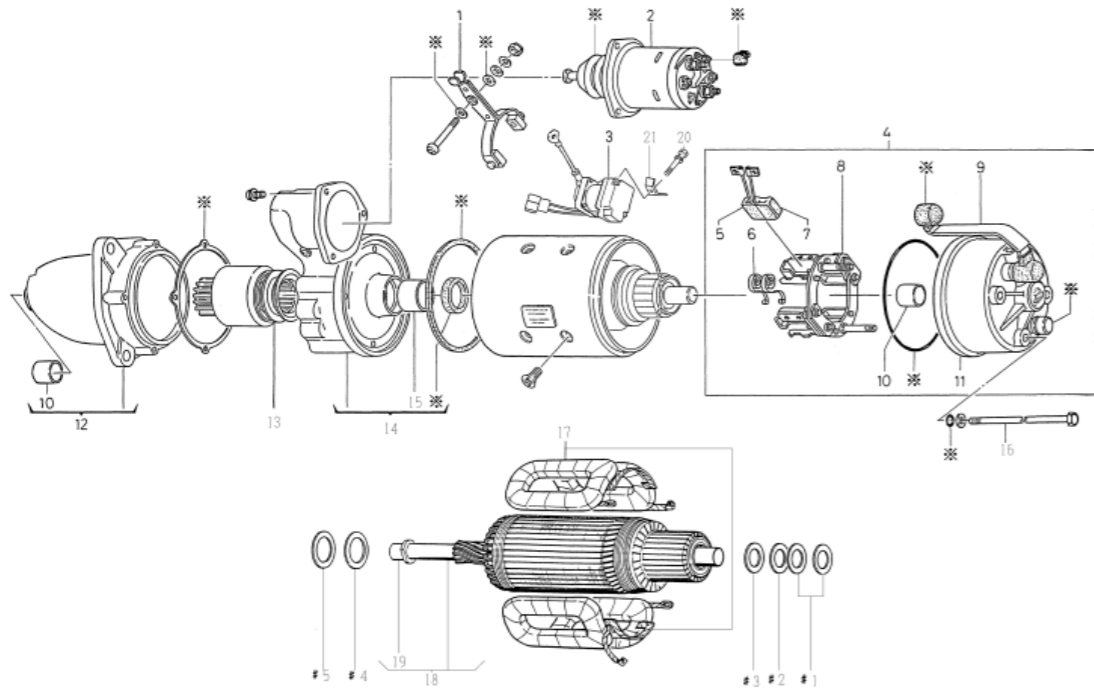
0-21000-5081 STARTING MOTOR

OEM CUSTOMER	KOMATSU	OEM PARTS NUMBER	600-813-2590
NOMINAL OUTPUT	24V 7.5Kw	SUPPLY TERM	99.10~
WEIGHT	24.5 kg	SWITCH	SAFETY RELAY (INSTALLED ON LEFT)
ENGINE MODEL	NH220		
VEHICLE	D60P-6		
OLD MODEL RECORD	0-21000-5080 → 5081		
DESIGN RECORD	5080 → 5081 SFR CHANGED		
NOTE	WATER PROOF OIL PROOF ϕ 130 THE ONE SFR IS ADDED TO 0-21000-3391		

0-21000-5081 STARTING MOTOR (MAKER PART NO 600-813-2590)

No	Parts Number	Maker Parts No	Description	Qty	List Price	Note
1	7-21320-0790		SHIFT LEVER CO	1		
2	0-47100-3040		MAG.SWITCH ASSY	1		
3	0-25000-6092		SWITCH	1		
4	7-21700-0180		R.BRACKET ASSY	1		INCLUDING 5-11
5	1-21740-0680		BRUSH CO	4		
6	1-21913-0360		BRUSH SPRING	8		
7	1-21740-0690		BRUSH CO	4		
8	0-21750-1440		BRUSH HOLDER CO	1		
9	1-21784-1260		CONNECT BAR	1		
10	7-21351-0954		METAL	2		FRONT, REAR
11	0-21700-1670		R.BRACKET ASSY	1		INCLUDING 10
12	1-21300-1970		F.BRACKET ASSY	1		INCLUDING 10
13	1-21500-1530		O.R.CLUTCH ASSY	1		
14	1-21600-1420		C.BRACKET ASSY	1		INCLUDING OIL SEAL AND 15
15	7-21351-0970		METAL	1		CENTER
16	0-21901-1660		BOLT	4		THROUGH BOLT
17	7-21230-0090		FIELD COIL ASSY	1		
18	1-21100-1210		ARMATURE CO	1		INCLUDING 19
19	1-21181-0310		PINION STOPPER	1		
20	0-0270-06602		BOLT	1		
21	1-47927-0940		HOLDER	1		
#1	1-21921-0980		WASHER	2		FOR ADJUSTING THRUST
#2	1-21941-0580		INSULATE WASHER	1		
#3	1-21921-0660		WASHER	1		
#4	1-21921-1440		WASHER	1		
#5	1-21941-0600		INSULATE WASHER	1		
※	7-09210-3050		SEAL ASSY	1		

※	7-09210-3050	SEAL ASSY	
	1-0345-05001	SEAL WASHER	1
	1-0345-06001	SEAL WASHER	2
	1-0505-00801	O RING	4
	1-0506-01001	O RING	1
	1-09210-1010	OIL SEAL	1
	1-09211-0360	O RING	1
	1-09252-0370	GUM CAP	1
	1-09252-0380	GUM CAP	2
	1-09252-0420	GUM CAP	1
	1-21951-1900	PACKING	1
	1-21951-1910	PACKING	1
	1-21951-1920	PACKING	1
	1-47952-0370	GUM CAP	1



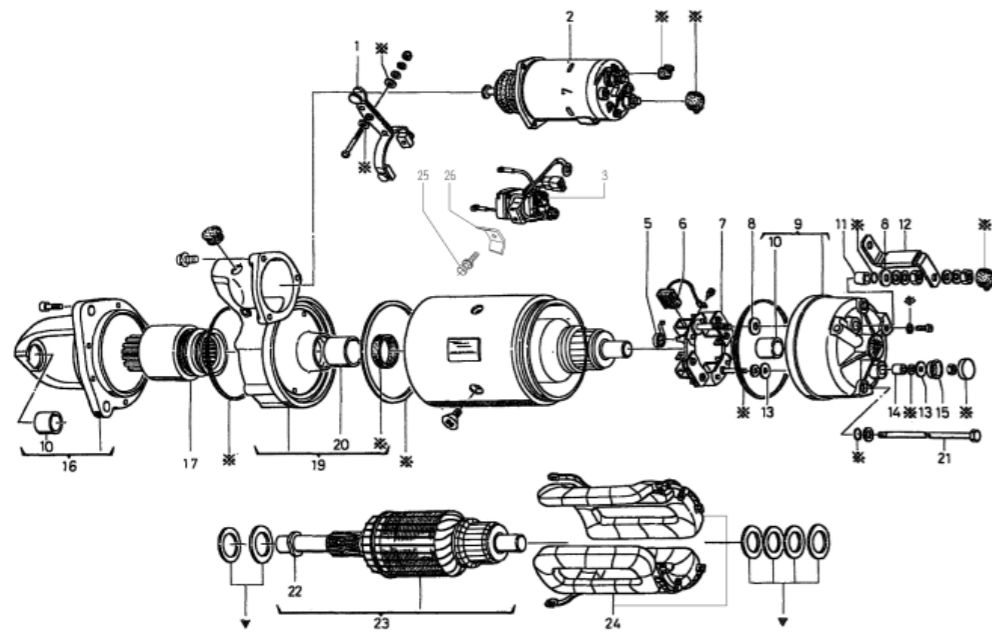
0-21000-5081

0-21000-5090 STARTING MOTOR

OEM CUSTOMER	KOMATSU	OEM PARTS NUMBER	600-813-2520
NOMINAL OUTPUT	24V 5.5Kw	SUPPLY TERM	81.10~
WEIGHT	16.2kg	SWITCH	SAFETY RELAY (INSTALLED ON RIGHT)
ENGINE MODEL	4D105-5		
VEHICLE	D31-17 MARINE		
OLD MODEL RECORD			
DESIGN RECORD			
NOTE	WATER PROOF OIL PROOF ϕ 125		

0-21000-5090 STARTING MOTOR (MAKER PART NO 600-813-2520)

No	Parts Number	Maker Parts No	Description	Qty	List Price	Note
1	7-21320-0780		SHIFT LEVER CO	1		
2	0-47100-3031		MAG.SWITCH ASSY	1		
3	0-25000-6430		SWITCH	1		
5	1-21913-0371		BRUSH SPRING	4		
6	0-21740-0445		BRUSH CO	4		
7	0-21750-1433		BRUSH HOLDER CO	1		
8	1-21941-0230		INSULATE WASHER	2		
9	0-21700-1691		R.BRACKET ASSY	1		INCLUDING 10
10	7-21351-0954		METAL	2		FRONT, REAR
11	1-21944-1060		INSULATE TUBE	1		
12	1-21784-1220		CONNECT BAR	1		
13	1-21941-0590		INSULATE WASHER	2		
14	1-21944-1050		INSULATE TUBE	1		
15	1-21927-0160		HOLDER	1		
16	1-21300-1961		F.BRACKET ASSY	1		INCLUDING 10
17	1-21500-1610		O.R.CLUTCH ASSY	1		
19	1-21600-1480		CENTER BRACKET ASSY	1		INCLUDING OIL SEAL AND 20
20	7-21351-0964		METAL	1		CENTER
21	0-21901-1670		BOLT	2		THROUGH BOLT
22	1-21181-0310		PINION STOPPER	1		
23	1-21100-1190		ARMATURE CO	1		INCLUDING 22
24	7-21230-0080		FIELD COIL ASSY	1		
25	0-0270-06602		BOLT	1		
26	1-47927-0921		HOLDER	1		
▼	7-21920-0080		WASHE ASSY	1		
※	7-09210-3060		SEAL ASSY	1		



0-21000-5090

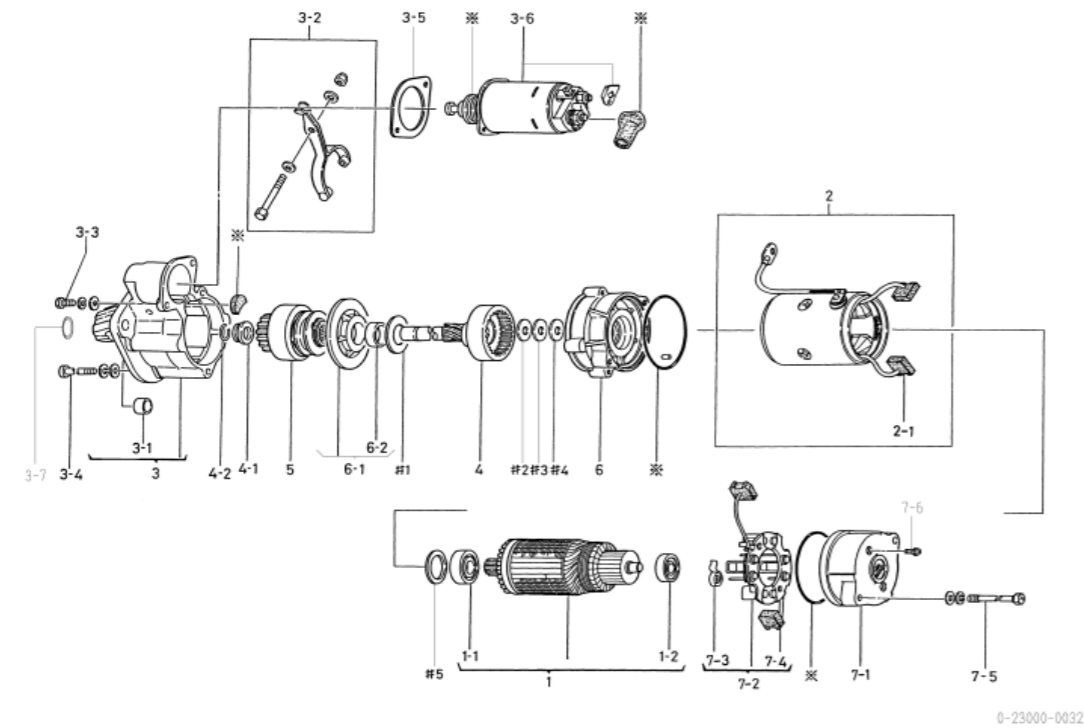
7-09210-3060	SEAL ASSY		▼ 7-21920-0080	WASHER ASSY	
1-0345-05001	SEAL WASHER	1	1-21921-0660	WASHER	1
1-0345-06001	SEAL WASHER	2	1-21921-0980	WASHER	2
1-0505-00801	O RING	2	1-21921-1440	WASHER	1
1-0506-01001	O RING	1	1-21941-0580	INSULATE WASHER	1
1-0507-09001	O RING	1	1-21941-0600	INSULATE WASHER	1
1-09210-1010	OIL SEAL	1			
1-09211-0390	O RING	1			
1-09252-0370	GUM CAP	1			
1-09252-0380	GUM CAP	2			
1-09252-0420	GUM CAP	1			
1-21951-1910	PACKING	1			
1-21951-1920	PACKING	1			
1-47952-0370	GUM CAP	1			
1-47953-0081	GUM BUSH	1			

0-23000-0032 STARTING MOTOR

OEM CUSTOMER	ISUZU	OEM PARTS NUMBER	8-94363428-0
NOMINAL OUTPUT	24V 3.5Kw	SUPPLY TERM	86.05~
WEIGHT	6.5kg	SWITCH	
ENGINE MODEL	4BC1		
VEHICLE	INDUSTRY		
OLD MODEL RECORD	0-23000-0030 → 0031 → 0032		
DESIGN RECORD	0030 → 0031 FRONT METAL CHANGED, DISH PLUG ADDED 0031 → 0032 PREVENTION OF DUST (ATTACH END COVER, ADD RUBBER BELLOWS TO MAG.SW)		
NOTE	DRIP PROOF φ78		

0-23000-0032 STARTING MOTOR (MAKER PART NO 8-94363428-0)

No	Parts Number	Maker Parts No	Description	Qty	List Price	Note
1	7-23100-0130	8-94171267-0	ARMATURE ASSY	1		INCLUDING 1-1, 1-2
1-1	1-0454-60037	1-81129531-0	BALL BEARING	1		FRONT
1-2	1-0454-06087	8-94418866-0	BALL BEARING	1		REAR
2	0-23200-0264		YOKE ASSY	1		INCLUDING 2-1
2-1	1-23740-0150	8-94437921-0	BRUSH CO	2		(+)
3	0-23300-0204		F.BRACKET ASSY	1		INCLUDING 3-1, 3-7
3-1	7-23351-0164		METAL	1		FRONT
3-2	7-23320-0020		SHIFT LEVER ASSY	1		
3-3	0-0274-06202	8-94178026-0	BOLT	2		
3-4	1-0240-06805	1-81129387-0	BOLT	2		
3-5	1-23922-0160	8-94363431-0	PLATE	1		
3-6	0-47100-4010	8-94363429-0	MAG.SWITCH ASSY	1		
3-7	0-23761-0060	8-97044368-0	COVER	1		
4	1-23111-0320	8-94171259-0	SHAFT	1		
4-1	1-23181-0050	8-94171254-0	PINION STOPPER	1		
4-2	1-09066-0050	8-94171253-0	CLIP RING	1		
5	0-23500-0354		O.R. CLUTCH ASSY	1		
6	1-23611-0370	8-94171260-0	CENTER BRACKET	1		
6-1	0-23610-0094		C.BRACKET CO	1		INCLUDING 6-2
6-2	7-23351-0154		METAL	1		CENTER
7-1	1-23711-0140	8-94171263-0	REAR BRACKET	1		
7-2	7-23750-0094		BRUSH HOLDER CO	1		INCLUDING 2-1, 7-3, 7-4
7-3	0-23913-0080	8-94171261-0	BRUSH SPRING	4		
7-4	0-23740-0144		BRUSH CO	2		(-)
7-5	0-09001-4390	8-94171265-0	BOLT	2		THROUGH BOLT
7-6	0-0055-04162	8-94340300-0	SCREW	2		
#1	1-09101-0100	8-94171258-0	INSULATE WASHER	1		
#2	1-23921-0130	5-81129160-0	WASHER	1		
#3	1-23921-0140	5-81129159-0	WASHER	1		FOR ADJUSTMENT
#4	1-23941-0030	5-81129158-0	INSULATE WASHER	1		
#5	1-23921-0150	5-81129156-0	WASHER	1		FOR ADJUSTMENT
※	7-09210-3070		SEAL ASSY	1		



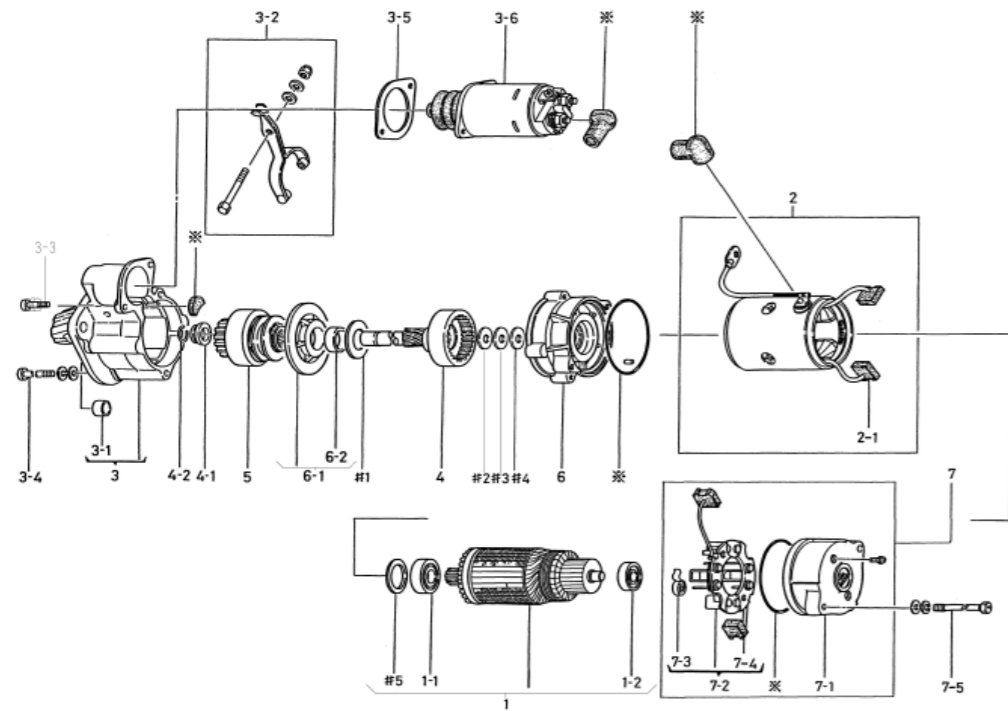
7-09210-3070	SEAL ASSY	
1-09211-1160	O RING	2
1-09252-0430	GUM CAP	1
1-23951-0250	PACKING	1
0-47952-0531	GUM CAP	1

0-23000-0042 STARTING MOTOR

OEM CUSTOMER	KOMATSU	OEM PARTS NUMBER	600-813-3111
NOMINAL OUTPUT	24V 2.8Kw	SUPPLY TERM	93.05~
WEIGHT	6.6kg	SWITCH	
ENGINE MODEL	4D95L		
VEHICLE	FD30		
OLD MODEL RECORD	0-23000-0040 → 0042		
DESIGN RECORD	0040 → 0042 O.R CLUTCH ASSY CHANGED RUBBER BELLOWS OF MAG. SW CHANGED		
NOTE	DRIP PROOF φ78		

0-23000-0043 STARTING MOTOR (MAKER PART NO 600-813-3111)

No	Parts Number	Maker Parts No	Description	Qty	List Price	Note
1	7-23100-0250		ARMATURE ASSY	1		INCLUDING 1-1,1-2,#5
1-1	1-0454-60037		BALL BEARING	1		FRONT
1-2	1-0454-06087		BALL BEARING	1		REAR
2	0-23200-0244		YOKE ASSY	1		INCLUDING 2-1
2-1	1-23740-0150		BRUSH CO	2		(+)
3	0-23310-0544		F.BRACKET ASSY	1		INCLUDING 3-1
3-1	7-23351-0164		METAL	1		FRONT
3-2	7-23320-0020		SHIFT LEVER ASSY	1		
3-3	0-0274-06202		BOLT	2		
3-4	1-0240-06805		BOLT	2		
3-5	1-23922-0160		PLATE	1		
3-6	0-47100-3590		MAG.SWITCH ASSY	1		
4	1-23111-0320		SHAFT	1		
4-1	1-23181-0050		PINION STOPPER	1		
4-2	1-09066-0050		CLIP RING	1		
5	0-23500-0357		O.R.CLUTCH ASSY	1		
6	1-23611-0370		CENTER BRACKET	1		
6-1	0-23610-0094		C.BRACKET CO	1		INCLUDING 6-2
6-2	7-23351-0154		METAL	1		CENTER
7	7-23700-0224		R.BRACKET ASSY	1		INCLUDING 7-1~7-4
7-1	1-23711-0180		REAR BRACKET	1		
7-2	7-23750-0094		BRUSH HOLDER CO	1		INCLUDING 2-1, 7-3, 7-4
7-3	0-23913-0080		BRUSH SPRING	4		
7-4	0-23740-0144		BRUSH CO	2		(-)
7-5	1-23901-0080		BOLT	2		THROUGH BOLT
#1	1-09101-0100		INSULATE WASHER	1		
#2	1-23921-0130		WASHER	1		
#3	1-23921-0140		WASHER	1		FOR ADJUSTMENT
#4	1-23941-0030		INSULATE WASHER	1		
#5	1-23921-0150		WASHER	1		FOR ADJUSTMENT
※	7-09210-1350		SEAL ASSY	1		



0-23000-0042

7-09210-1350	SEAL ASSY	
1-09211-1160	O RING	2
1-09252-0430	GUM CAP	2
1-23951-0250	PACKING	1

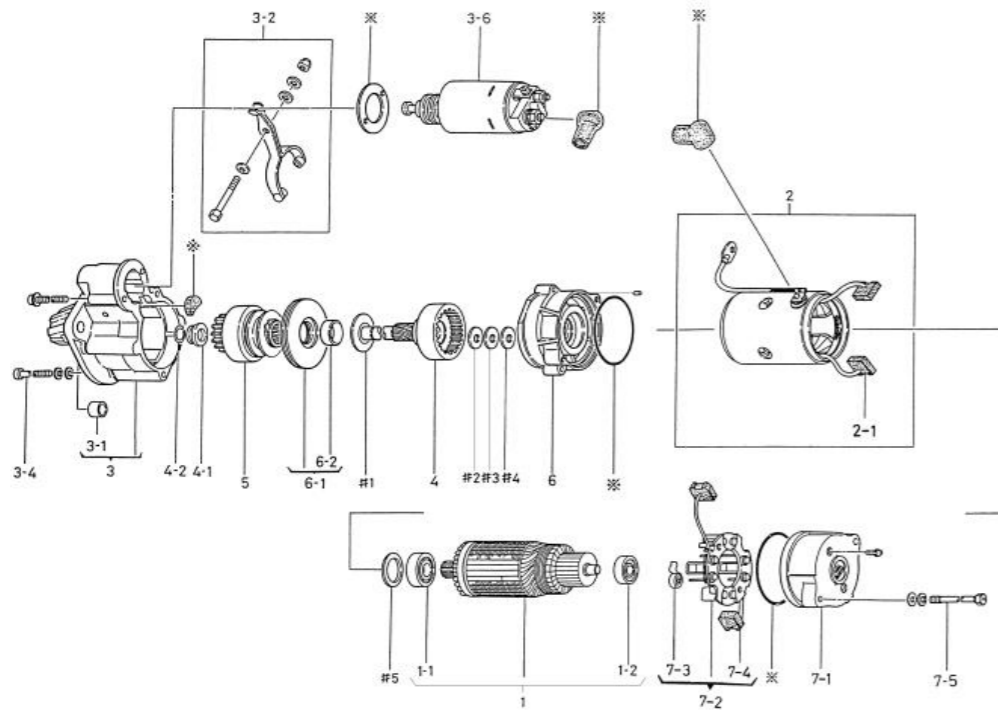
0-23000-0122 STARTING MOTOR

OEM CUSTOMER	KOMATSU	OEM PARTS NUMBER	600-813-1710
NOMINAL OUTPUT	12V 2.2Kw	SUPPLY TERM	02.07~
WEIGHT	6.5kg	SWITCH	
ENGINE MODEL	4D95L		
VEHICLE	EG33BS		
OLD MODEL RECORD	0-23000-0120 → 0122		
DESIGN RECORD	0120 → 0122 MAG. SW CHANGED		
NOTE	DRIP PROOF $\phi 78$		

0-23000-0122 STARTING MOTOR (MAKER PART NO 600-813-1710)

No	Parts Number	Maker Parts No	Description	Qty	List Price	Note
1	7-23100-0160		ARMATURE CO	1		INCLUDING 1-1, 1-2
1-1	1-0454-60037		BALL BEARING	1		FRONT
1-2	1-0454-06087		BALL BEARING	1		REAR
2	0-23200-0274		YOKE ASSY	1		INCLUDING 2-1
2-1	0-23740-0205		BRUSH CO	2		(+)
3	0-23310-0794		FRONT BRACKET CO	1		INCLUDING 3-1
3-1	7-23351-0164		METAL	1		FRONT
3-2	7-23320-0030		SHIFT LEVER ASSY	1		
3-4	1-0240-06805		BOLT	2		
3-6	0-47100-3881		MAG.SWITCH ASSY	1		
4	1-23111-0320		SHAFT	1		
4-1	1-23181-0050		PINION STOPPER	1		
4-2	1-09066-0050		CLIP RING	1		
5	0-23500-0384		O.R.CLUTCH ASSY	1		
6	1-23611-0370		CENTER BRACKET	1		
6-1	0-23610-0094		C.BRACKET CO	1		INCLUDING 6-2
6-2	7-23351-0154		METAL	1		CENTER
7-1	1-23711-0140		REAR BRACKET	1		
7-2	7-23750-0194		BRUSH HOLDER CO	1		INCLUDING 2-1,7-3,7-4
7-3	0-23913-0080		BRUSH SPRING	8		
7-4	0-23740-0210		BRUSH CO	2		(-)
7-5	0-09001-4390		BOLT	2		THROUGH BOLT
#1	1-09101-0100		INSULATE WASHER	1		
#2	1-23921-0130		WASHER	1		
#3	1-23921-0140		WASHER	1		FOR ADJUSTMENT
#4	1-23941-0030		INSULATE WASHER	1		
#5	1-23921-0150		WASHER	1		FOR ADJUSTMENT
※	7-09210-1110		SEAL ASSY	1		

※	7-09210-1110	SEAL ASSY		
	1-09211-1160	O RING	2	
	1-09252-0430	GUM CAP	2	
	1-23951-0250	PACKING	1	
	1-23951-0260	PACKING	1	



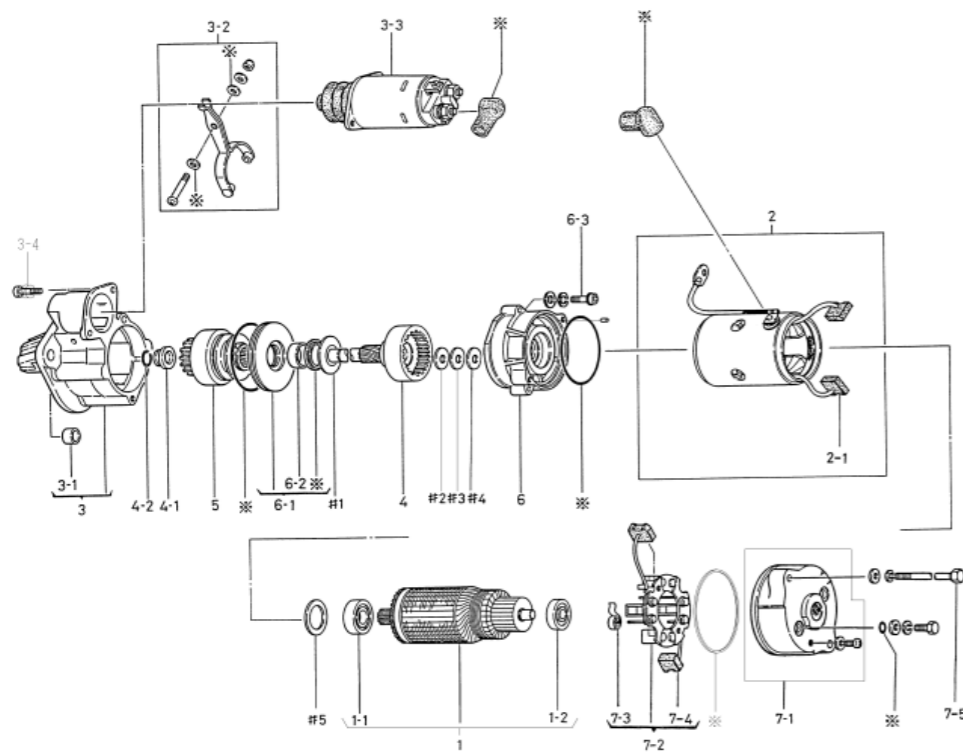
0-23000-0122

0-23000-0210 STARTING MOTOR

OEM CUSTOMER	SUMITOMO	OEM PARTS NUMBER	9076706-00
NOMINAL OUTPUT	12V 2.2Kw	SUPPLY TERM	85.05~
WEIGHT	6.5kg	SWITCH	
ENGINE MODEL	XA, HA		
VEHICLE	FD25		
OLD MODEL RECORD			
DESIGN RECORD			
NOTE	DRIP PROOF OIL PROOF ϕ 78		

0-23000-0210 STARTING MOTOR (MAKER PART NO 9076706-00)

No	Parts Number	Maker Parts No	Description	Qty	List Price	Note
1	7-23100-0160		ARMATURE CO	1		INCLUDING 1-1, 1-2
1-1	1-0454-60037	9013608-25	BALL BEARING	1		FRONT
1-2	1-0454-06087		BALL BEARING	1		REAR
2	0-23200-0274		YOKE ASSY	1		INCLUDING 2-1
2-1	0-23740-0205		BRUSH CO	2		(+)
3	0-23310-0974		FRONT BRACKET CO	1		INCLUDING 3-1
3-1	7-23351-0164		METAL	1		FRONT
3-2	7-23320-0030		SHIFT LEVER ASSY	1		
3-3	0-47100-4071	9013608-33	MAG.SWITCH ASSY	1		
3-4	0-0274-06202		BOLT	2		
4	1-23111-0370		SHAFT	1		
4-1	1-23181-0050	9013608-12	PINION STOPPER	1		
4-2	1-09066-0050		CLIP RING	1		
5	0-23500-0494	9013608-13	O.R. CLUTCH ASSY	1		
6	0-23611-0790		CENTER BRACKET	1		
6-1	0-23600-0174		C.BRACKET ASSY	1		INCLUDING OIL SEAL, 6-2
6-2	7-23351-0154		METAL	1		CENTER
6-3	1-0240-06355		BOLT	2		
7-1	0-23700-0120		R.BRACKET ASSY	1		
7-2	7-23750-0194		BRUSH HOLDER CO	1		INCLUDING 2-1, 7-3, 7-4
7-3	0-23913-0080		BRUSH SPRING	4		
7-4	0-23740-0210		BRUSH CO	2		(-)
7-5	0-0094-06502		BOLT	2		THROUGH BOLT
#1	1-09101-0100		INSULATE WASHER	1		
#2	1-23921-0130		WASHER	1		
#3	1-23921-0140		WASHER	1		FOR ADJUSTMENT
#4	1-23941-0030		INSULATE WASHER	1		
#5	1-23921-0150		WASHER	1		FOR ADJUSTMENT
※	7-09210-1360		SEAL ASSY	1		

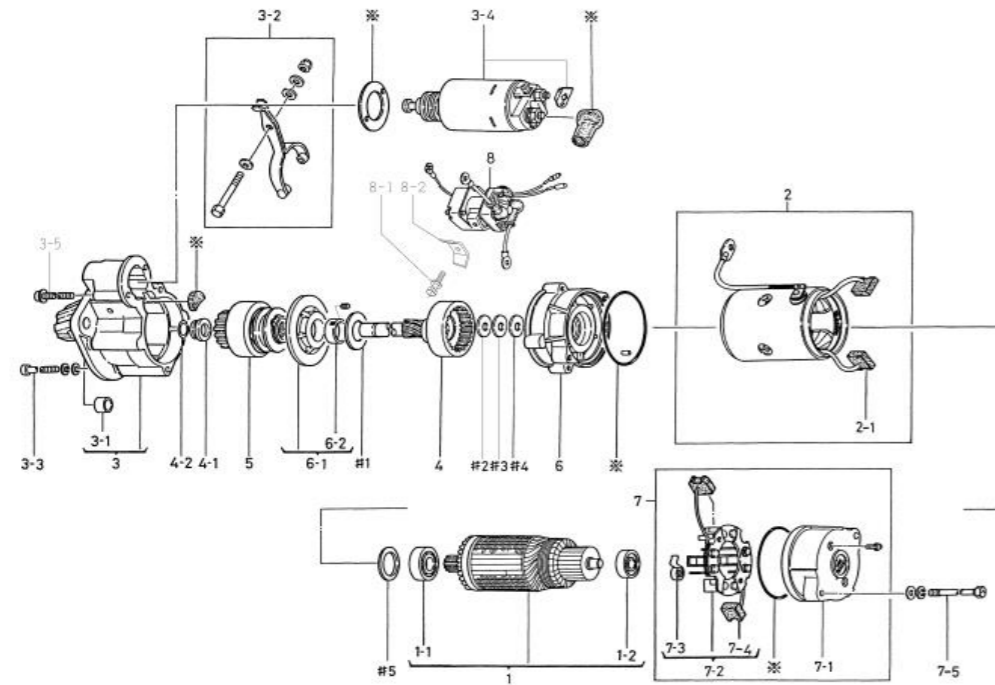


0-23000-0210

7-09210-1360	SEAL ASSY	
1-0345-06001	SEAL WASHER	2
1-09210-0670	OIL SEAL	1
1-09211-1160	O RING	2
1-09211-1180	O RING	1
1-09252-0430	GUM CAP	2
1-0505-00401	O RING	2

0-23000-0241 STARTING MOTOR

OEM CUSTOMER	ISUZU	OEM PARTS NUMBER	8-9446770-0
NOMINAL OUTPUT	12V 3.5Kw	SUPPLY TERM	01.06~
WEIGHT	6.9kg	SWITCH	SAFETY RELAY (INSTALLED ON RIGHT)
ENGINE MODEL	4BD1		
VEHICLE	INDUSTRY		
OLD MODEL RECORD	0-23000-0240 → 0241		
DESIGN RECORD	0240 → 0241 SFR CHANGED		
NOTE	DRIP PROOF φ78 0-23000-0240 IS THE ONE SFR IS ADDED TO 0-23000-0031		



0-23000-0241

0-23000-0241 STARTING MOTOR (MAKER PART NO 8-9446770-0)

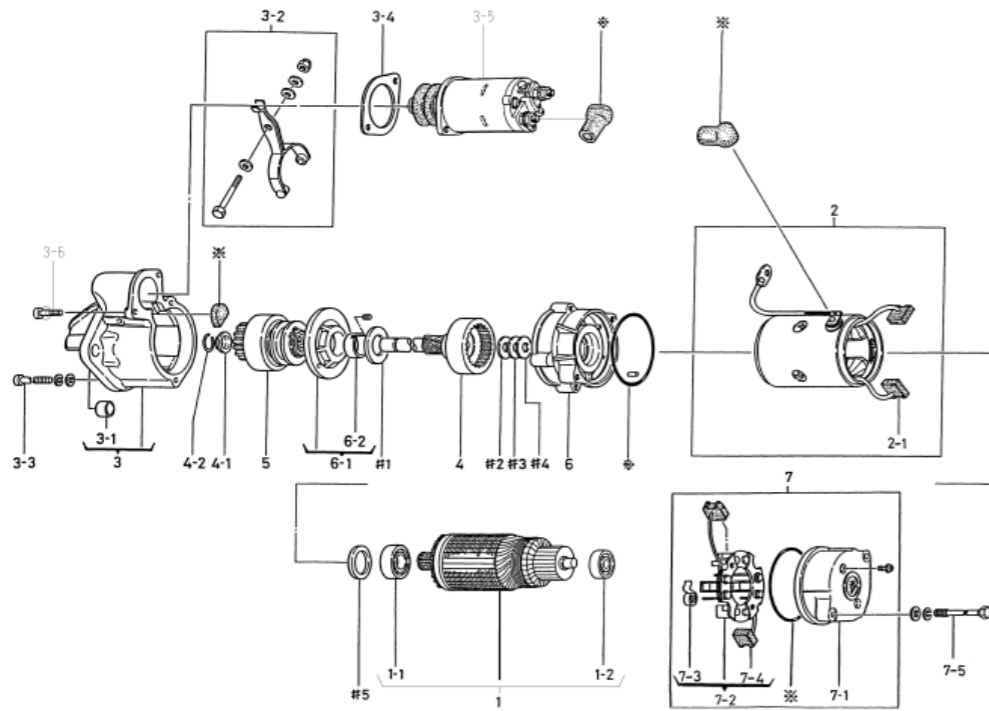
No	Parts Number	Maker Parts No	Description	Qty	List Price	Note
1	7-23100-0130	8-94171267-0	ARMATURE ASSY	1		INCLUDING 1-1, 1-2
1-1	1-0454-60037	1-81129531-0	BALL BEARING	1		FRONT
1-2	1-0454-06087	8-94418866-0	BALL BEARING	1		REAR
2	0-23200-0264		YOKE ASSY	1		INCLUDING 2-1
2-1	1-23740-0150	8-94437921-0	BRUSH CO	2		(+)
3	0-23310-0654		F.BRACKET ASSY	1		INCLUDING 3-1
3-1	7-23351-0164		METAL	1		FRONT
3-2	7-23320-0020		SHIFT LEVER ASSY	1		
3-3	1-0240-06805	1-81129387-0	BOLT	2		
3-4	7-47100-0210	8-94171249-0	MAG.SWITCH ASSY	1		
3-5	1-0056-06502		SCREW	2		
4	1-23111-0320	8-94171259-0	SHAFT	1		
4-1	1-23181-0050	8-94171254-0	PINION STOPPER	1		
4-2	1-09066-0050	8-94171253-0	CLIP RING	1		
5	0-23500-0354		O.R.CLUTCH ASSY	1		
6	1-23611-0370	8-94171260-0	CENTER BRACKET	1		
6-1	0-23610-0094		CENTER BRACKET CO	1		INCLUDING 6-2
6-2	7-23351-0154		METAL	1		CENTER
7	7-23700-0674		R.BRACKET ASSY	1		INCLUDING 7-1~7-4
7-1	1-23711-0140	8-94171263-0	REAR BRACKET	1		
7-2	7-23750-0094		BRUSH HOLDER CO	1		INCLUDING 2-1,7-3,7-4
7-3	0-23913-0080	8-94171261-0	BRUSH SPRING	4		
7-4	0-23740-0144		BRUSH CO	2		(-)
7-5	0-09001-4390	8-94171265-0	BOLT	2		THROUGH BOLT
8	0-25000-6222		SWITCH	1		
8-1	0-0270-06402	1-81129525-0	BOLT	1		
8-2	1-47927-1250	1-81118046-0	HOLDER	1		
#1	1-09101-0100	8-94171258-0	INSULATE WASHER	1		
#2	1-23921-0130	5-81129160-0	WASHER	1		
#3	1-23921-0140	5-81129159-0	WASHER	1		FOR ADJUSTMENT
#4	1-23941-0030	5-81129158-0	INSULATE WASHER	1		
#5	1-23921-0150	5-81129156-0	WASHER	1		FOR ADJUSTMENT
※	7-09210-1040	8-94171273-0	SEAL ASSY	1		
※	7-09210-1040	SEAL ASSY				
	1-09211-1160	O RING	2			
	1-09252-0430	GUM CAP	1			
	1-23951-0250	PACKING	1			
	1-23951-0260	PACKING	1			

0-23000-0263 STARTING MOTOR

OEM CUSTOMER	KOMATSU	OEM PARTS NUMBER	600-813-1721
NOMINAL OUTPUT	12V 2.2Kw	SUPPLY TERM	02.07~
WEIGHT	6.5kg	SWITCH	
ENGINE MODEL	4D95S		
VEHICLE	FD20		
OLD MODEL RECORD	0-23000-0260 → 0262 → 0263		
DESIGN RECORD	0260 → 0262	O.R.CLUTCH ASSY CHANGED	
	0262 → 0263	MAG. SW CHANGED	
NOTE	DRIP PROOF φ 78		

0-23000-0263 STARTING MOTOR (MAKER PART NO 600-813-1721)

No	Parts Number	Maker Parts No	Description	Qty	List Price	Note
1	7-23100-0160		ARMATURE ASSY	1		INCLUDING 1-1, 1-2
1-1	1-0454-60037		BALL BEARING	1		FRONT
1-2	1-0454-06087		BALL BEARING	1		REAR
2	0-23200-0274		YOKE ASSY	1		INCLUDING 2-1
2-1	0-23740-0205		BRUSH CO	2		(+)
3	0-23310-0544		FRONT BRACKET CO	1		INCLUDING 3-1
3-1	7-23351-0164		METAL	1		FRONT
3-2	7-23320-0020		SHIFT LEVER ASSY	1		
3-3	1-0240-06805		BOLT	2		
3-4	1-23922-0160		PLATE	1		
3-5	0-47100-4990		MAG.SWITCH ASSY	1		
3-6	0-0274-06202		BOLT	2		
4	1-23111-0320		SHAFT	1		
4-1	1-23181-0050		PINION STOPPER	1		
4-2	1-09066-0050		CLIP RING	1		
5	0-23500-0424		O.R.CLUTCH ASSY	1		
6	1-23611-0370		CENTER BRACKET	1		
6-1	0-23610-0094		C.BRACKET CO	1		INCLUDING 6-2
6-2	7-23351-0154		METAL	1		CENTER
7	7-23700-0414		R.BRACKET ASSY	1		INCLUDING 7-1~7-4
7-1	1-23711-0180		REAR BRACKET	1		
7-2	7-23750-0194		BRUSH HOLDER CO	1		INCLUDING 2-1,7-3,7-4
7-3	0-23913-0080		BRUSH SPRING	4		
7-4	0-23740-0210		BRUSH CO	2		(-)
7-5	0-09001-4390		BOLT	2		THROUGH BOLT
#1	1-09101-0100		INSULATE WASHER	1		
#2	1-23921-0130		WASHER	1		
#3	1-23921-0140		WASHER	1		FOR ADJUSTMENT
#4	1-23941-0030		INSULATE WASHER	1		
#5	1-23921-0150		WASHER	1		FOR ADJUSTMENT
※	7-09210-1350		SEAL ASSY	1		
※	7-09210-1350	SEAL ASSY				
	1-09211-1160	O RING		2		
	1-09252-0430	GUM CAP		2		
	1-23951-0250	PACKING		1		



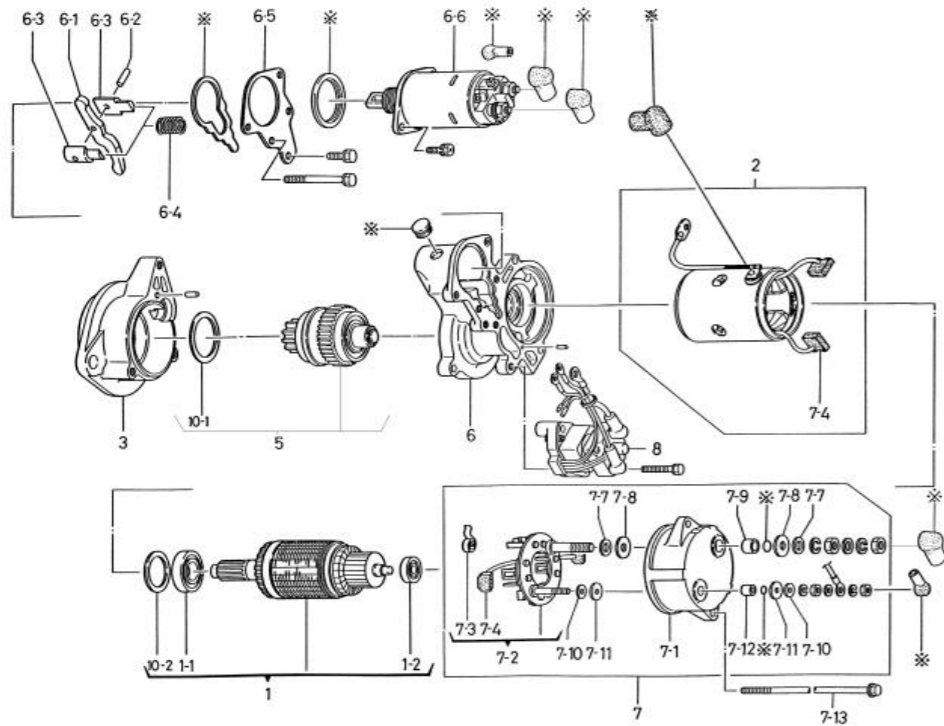
0-23000-0263

0-23000-0362 STARTING MOTOR

OEM CUSTOMER	ISUZU	OEM PARTS NUMBER	8-94370584-0
NOMINAL OUTPUT	24V 3Kw	SUPPLY TERM	01.06~
WEIGHT	7.0kg	SWITCH	SAFETY RELAY (INSTALLED ON LEFT)
ENGINE MODEL	4BD1MTC, UM4BG1		
VEHICLE	MARINE		
OLD MODEL RECORD	0-23000-0360 → 0361 → 0362		
DESIGN RECORD	0360 → 0361	SFR CHANGED	
	0361 → 0362	SFR CHANGED	
NOTE	DRIP PROOF φ83 2-WIRE MARINE SPECIFICATION 0-23000-0360 IS THE ONE SFR IS ADDED TO 0-23000-0350		

0-23000-0362 STARTING MOTOR (MAKER PART NO 8-94370584-0)

No	Parts Number	Maker Parts No	Description	Qty	List Price	Note
1	7-23100-0340	8-94340478-0	ARMATURE ASSY	1		INCLUDING 1-1,1-2,10-2
1-1	0-09201-0710	8-94340476-0	BALL BEARING	1		FRONT
1-2	1-0453-06087	8-94340477-0	BALL BEARING	1		REAR
2	0-23200-0405		YOKE ASSY	1		INC 2 UNITS 7-4
3	0-23761-0090	8-94340469-0	COVER	1		
5	7-23500-0044	8-98155033-0	O.R.CLUTCH ASSY	1		INCLUDING 10-1
6	0-23611-0800	8-94340475-0	CENTER BRACKET	1		
6-1	0-23321-0390	8-94340472-0	SHIFT LEVER	1		
6-2	0-23904-0070	8-94340471-0	PIN	1		
6-3	0-23927-0100	8-94340470-0	HOLDER	2		
6-4	0-23911-0170		SPRING	1		
6-5	0-23922-0180		PLATE	1		
6-6	0-47100-4090	8-94340488-0	MAG.SWITCH ASSY	1		
7	7-23700-0554		R.BRACKET ASSY	1		INCLUDING 7-1~7-12
7-1	0-23711-0320	8-94340497-0	REAR BRACKET	1		
7-2	7-23750-0144		BRUSH HOLDER CO	1		INCLUDING 7-3,7-4
7-3	1-23913-0020	1-81117015-0	BRUSH SPRING	4		
7-4	0-23740-0280		BRUSH CO	4		*
7-7	0-23921-0250	8-94340490-0	WASHER	2		
7-8	0-23941-0070	8-94340491-0	INSULATE WASHER	2		
7-9	0-23944-0070	8-94340492-0	INSULATE TUBE	1		
7-10	0-23921-0260	8-94340494-0	WASHER	2		
7-11	1-47941-0420	1-81229182-0	INSULATE WASHER	2		
7-12	0-23944-0080	8-94340495-0	INSULATE TUBE	1		
7-13	0-09001-4770	8-94340499-0	BOLT	2		
8	0-25000-7332	8-94370656-2	SWITCH	1		
10-1	1-31921-0121	8-94340468-0	WASHER	1		
10-2	1-21921-0030	9-82125059-0	WASHER	1		
※	7-09210-1571		SEAL ASSY	1		



0-23000-0362

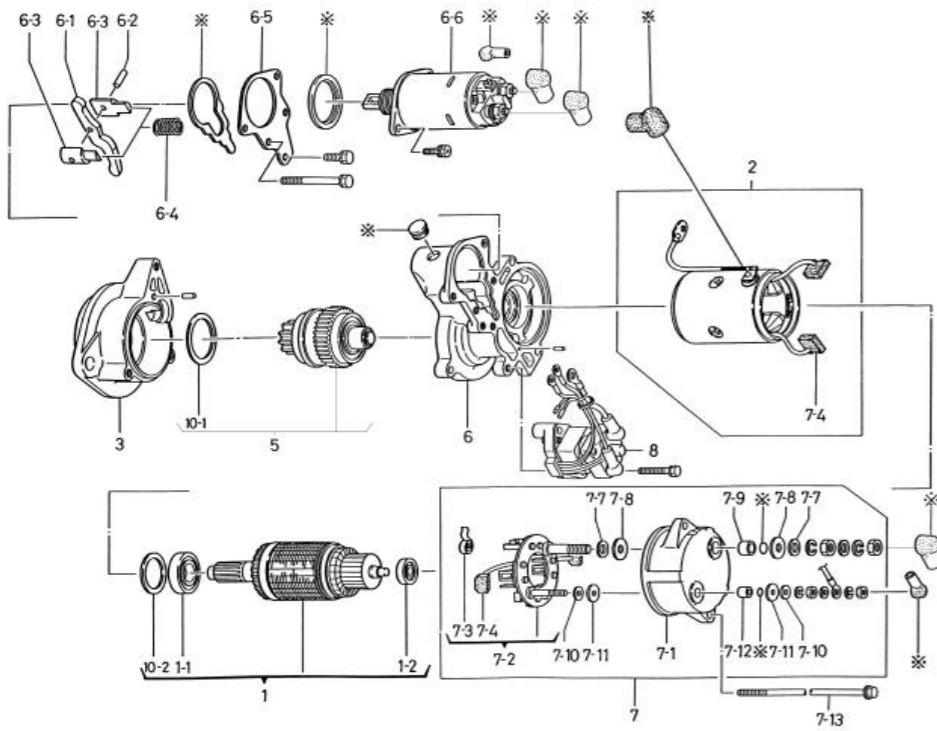
7-09210-1571	SEAL ASSY		
0-09211-1290	O RING	1	* 2 PCS OF YOKE SIDE INCLUDED
0-09211-1300	O RING	1	
0-23951-0340	PACKING	1	
0-23951-0350	PACKING	1	
1-09211-1170	O RING	1	
1-09252-0141	GUM CAP	2	
1-09252-0430	GUM CAP	4	
1-47953-0081	GUM BUSH	1	

0-23000-0382 STARTING MOTOR

OEM CUSTOMER	ISUZU	OEM PARTS NUMBER	8-94370583-1
NOMINAL OUTPUT	24V 3Kw	SUPPLY TERM	01.06~
WEIGHT	7.0kg	SWITCH	SAFETY RELAY (INSTALLED ON LEFT)
ENGINE MODEL	UM4JA1, 4JB1M		
VEHICLE	MARINE		
OLD MODEL RECORD	0-23000-0380 → 0381 → 0382		
DESIGN RECORD	0380 → 0381 SFR CHANGED 0381 → 0382 SFR CHANGED		
NOTE	DRIP PROOF φ83 2-WIRE MARINE SPEDIFICATION 0-23000-0380 IS THE ONE SFR IS ADDED TO 0-23000-0310		

0-23000-0382 STARTING MOTOR (MAKER PART NO 8-94370583-1)

No	Parts Number	Maker Parts No	Description	Qty	List Price	Note
1	7-23100-0340	8-94340478-0	ARMATURE ASSY	1		INCLUDING 1-1, 1-2, 10-2
1-1	0-09201-0710	8-94340476-0	BALL BEARING	1		FRONT
1-2	1-0453-06087	8-94340477-0	BALL BEARING	1		REAR
2	0-23200-0405		YOKE ASSY	1		INC 2 UNITS 7-4
3	0-23761-0090	8-94340469-0	COVER	1		
5	7-23500-0030	8-94335629-0	O.R.CLUTCH ASSY	1		INCLUDING 10-1
6	0-23611-0800	8-94340475-0	CENTER BRACKET	1		
6-1	0-23321-0390	8-94340472-0	SIFT LEVER ASSY	1		
6-2	0-23904-0070	8-94340471-0	PIN	1		
6-3	0-23927-0100	8-94340470-0	HOLDER	2		
6-4	0-23911-0170		SPRING	1		
6-5	0-23922-0180		PLATE	1		
6-6	0-47100-4090	8-94340488-0	MAG.SWITCH ASSY	1		
7	7-23700-0554	8-94340498-0	R.BRACKET ASSY	1		INCLUDING 7-1~7-12
7-1	0-23711-0320	8-94340497-0	REAR BRACKET	1		
7-2	7-23750-0144		BRUSH HOLDER CO	1		INCLUDING 7-3, 7-4
7-3	1-23913-0020	1-81117015-0	BRUSH SPRING	4		
7-4	0-23740-0280		BRUSH CO	4		*
7-7	0-23921-0250	8-94340490-0	WASHER	2		
7-8	0-23941-0070	8-94340491-0	INSULATE WASHER	2		
7-9	0-23944-0070	8-94340492-0	INSULATE TUBE	1		
7-10	0-23921-0260	8-94340494-0	WASHER	2		
7-11	1-47941-0420	1-81229182-0	INSULATE WASHER	2		
7-12	0-23944-0080	8-94340495-0	INSULATE TUBE	1		
7-13	0-09001-4770	8-94340499-0	BOLT	2		
8	0-25000-7332	8-94370656-2	SWITCH	1		
10-1	1-31921-0121	8-94340468-0	WASHER	1		
10-2	1-21921-0030	9-82125059-0	WASHER	1		
#	7-09210-1571		SEAL ASSY	1		



0-23000-0382

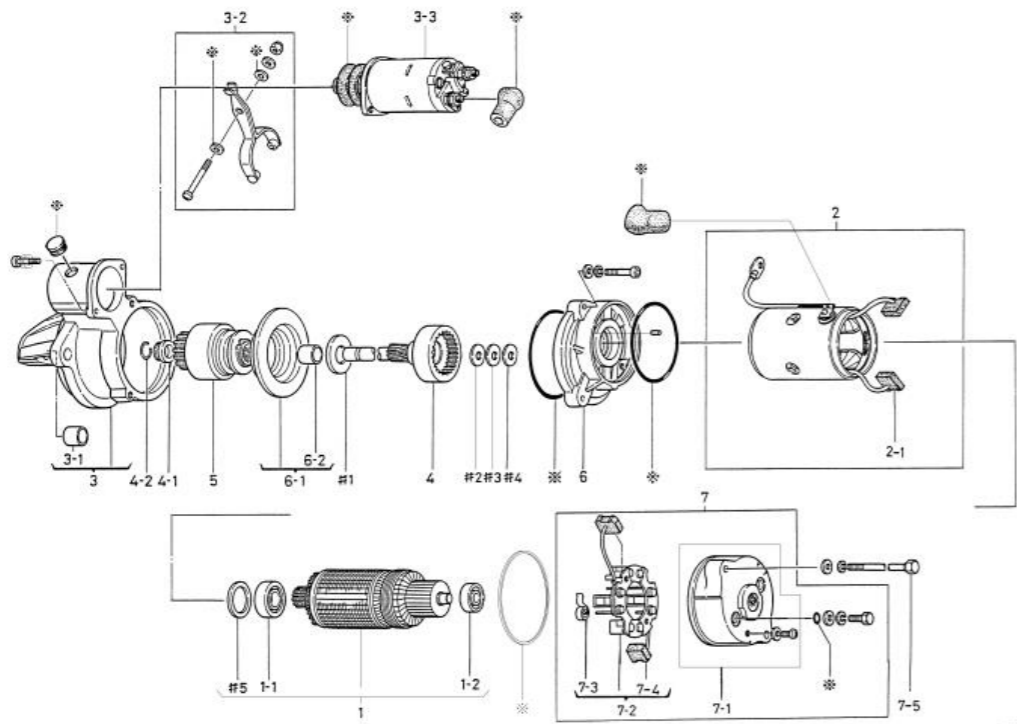
7-09210-1571	SEAL ASSY		
0-09211-1290	O RING	1	* 2 PCS OF YOKE SIDE INCLUDED
0-09211-1300	O RING	1	
0-23951-0340	PACKING	1	
0-23951-0350	PACKING	1	
1-09211-1170	O RING	1	
1-09252-0141	GUM CAP	2	
1-09252-0430	GUM CAP	4	
1-47953-0081	GUM BUSH	1	

0-23000-0431 STARTING MOTOR

OEM CUSTOMER	KOMATSU	OEM PARTS NUMBER	600-813-4190
NOMINAL OUTPUT	24V 2.8Kw	SUPPLY TERM	02.09~
WEIGHT	7.0kg	SWITCH	
ENGINE MODEL	4D95L		
VEHICLE	EM436		
OLD MODEL RECORD	0-23000-0430 → 0431		
DESIGN RECORD	0430 → 0431 MAG. SW, YOKE ASSY, R.BRACKET ASSY, CENTER BRACKET, F.BRACKET CO CHANGED		
NOTE	WATER PROOF φ 78 1-WIRE MARINE SPECIFICATION		

0-23000-0431 STARTING MOTOR (MAKER PART NO 600-813-4190)

No	Parts Number	Maker Parts No	Description	Qty	List Price	Note
1	723100-0250		ARMATURE ASSY	1		INCLUDING 1-1, 1-2, #5
1-1	1-0454-60037		BALL BEARING	1		FRONT
1-2	1-0454-06087		BALL BEARING	1		REAR
2	0-23200-0244		YOKE ASSY	1		INCLUDING 2-1
2-1	1-23740-0150		BRUSH CO	2		(+)
3	0-23310-0815		F.BRACKET CO	1		INCLUDING 3-1
3-1	7-23351-0164		METAL	1		FRONT
3-2	7-23320-0030		SHIFT LEVER ASSY	1		
3-3	0-47100-5014		MAG.SWITCH ASSY	1		
4	1-23111-0370		SHAFT	1		
4-1	1-23181-0050		PINION STOPPER	1		
4-2	1-09066-0050		CLIP RING	1		
5	0-23500-0434		O.R.CLUTCH ASSY	1		
6	0-23611-0660		CENTER BRACKET	1		
6-1	0-23610-0104		CENTER BRACKET CO	1		INCLUDING 6-2
6-2	7-23351-0154		METAL	1		CENTER
7	7-23700-0314		R.BRACKET ASSY	1		INCLUDING 7-1~7-4
7-1	0-23700-0120		R.BRACKET ASSY	1		
7-2	7-23750-0174		BRUSH HOLDER CO	1		INCLUDING 2-1,7-3,7-4
7-3	0-23913-0081		BRUSH SPRING	4		
7-4	0-23740-0144		BRUSH CO	2		(-)
7-5	1-23901-0080		BOLT	2		THROUGH BOLT
#1	1-09101-0100		INSULATE WASHER	1		
#2	1-23921-0130		WASHER	1		
#3	1-23921-0140		WASHER	1		FOR ADJUSTMENT
#4	1-23941-0030		INSULATE WASHER	1		
#5	1-23921-0150		WASHER	1		FOR ADJUSTMENT
※	7-09210-1160		SEAL ASSY	1		



0-23000-0431

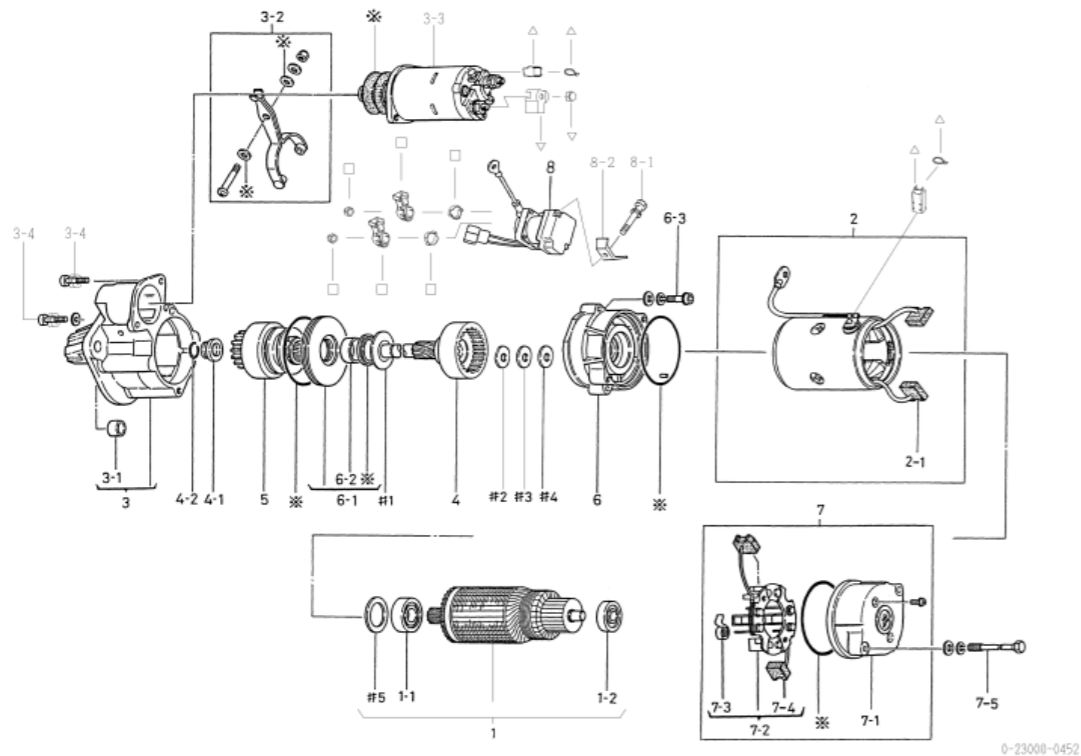
※	7-09210-1160	SEAL ASSY	
	1-0435-06001	SEAL WASHER	2
	1-0505-00401	O RING	2
	1-09211-1160	O RING	2
	1-09211-1180	O RING	1
	1-09252-0430	GUM CAP	2
	0-47952-0531	GUM CAP	1
	1-47953-0081	GUM CAP	1

0-23000-0452 STARTING MOTOR

OEM CUSTOMER	KOMATSU	OEM PARTS NUMBER	600-813-3172
NOMINAL OUTPUT	24V 2.8Kw	SUPPLY TERM	02.07~
WEIGHT	7.3 kg	SWITCH	SAFETY RELAY (INSTALLED ON LEFT)
ENGINE MODEL	4D95S-W		
VEHICLE	D20-7		
OLD MODEL RECORD	0-23000-0100 → 0450 → 0451 → 0452		
DESIGN RECORD	0100 → 0450 O.R.CLUTCH, MAG.SW CHANGED 0450 → 0451 SFR CHANGED 0451 → 0452 JUMPSTART SPECIFICATION, SFR AND MAG.SW CHANGED		
NOTE	DRIP PROOF OIL PROOF φ78		

0-23000-0452 STARTING MOTOR (MAKER PART NO 600-813-3172)

No	Parts Number	Maker Parts No	Description	Qty	List Price	Note
1	7-23100-0250		ARMATURE ASSY	1		INCLUDING 1-1, 1-2, #5
1-1	1-0454-60037		BALL BEARING	1		FRONT
1-2	1-0454-06087		BALL BEARING	1		REAR
2	0-23200-0804		YOKE ASSY	1		INCLUDING 2-1
2-1	1-23740-0150		BRUSH CO	2		(+)
3	0-23310-0554		F.BRACKET CO	1		INCLUDING 3-1
3-1	7-23351-0164		METAL	1		FRONT
3-2	7-23320-0030		SHIFT LEVER ASSY	1		
3-3	7-47100-0340		MAG.SWITCH ASSY	1		
3-4	0-0274-06202		BOLT	2		
4	1-23111-0370		SHAFT	1		
4-1	1-23181-0050		PINION STOPPER	1		
4-2	1-09066-0050		CLIP RING	1		
5	0-23500-0357		O.R.CLUTCH ASSY	1		
6	1-23611-0460		CENTER BRACKET	1		
6-1	0-23600-0174		C.BRACKET ASSY	1		INCLUDING 6-2,OIL SEAL
6-2	7-23351-0154		METAL	1		CENTER
6-3	1-0240-06355		BOLT	2		
7	7-23700-0224		R.BRACKET ASSY	1		INCLUDING 7-1~7-4
7-1	1-23711-0180		REAR BRACKET	1		
7-2	7-23750-0094		BRUSH HOLDER CO	1		INCLUDING 2-1,7-3,7-4
7-3	0-23913-0080		BRUSH SPRING	4		
7-4	0-23740-0144		BRUSH CO	2		(-)
7-5	1-23901-0080		BOLT	2		THROUGH BOLT
8	0-25000-6973		SWITCH	1		
8-1	0-0270-06402		BOLT	1		
8-2	1-47927-1250		HOLDER	1		
#1	1-09101-0100		INSULATE WASHER	1		
#2	1-23921-0130		WASHER	1		
#3	1-23921-0140		WASHER	1		FOR ADJUSTMENT
#4	1-23941-0030		INSULATE WASHER	1		
#5	1-23921-0150		WASHER	1		FOR ADJUSTMENT
※	7-09210-3080		SEAL ASSY	1		
△	7-47761-0070		COVER ASSY	1		
□	7-47761-0030		COVER ASSY	1		



※	7-09210-3080	SEAL ASSY	
	1-0345-06001	SEAL WASHER	2
	1-09210-0670	OIL SEAL	1
	1-09211-1160	O RING	2
	1-09211-1180	O RING	1
	0-47952-0531	GUM CAP	1

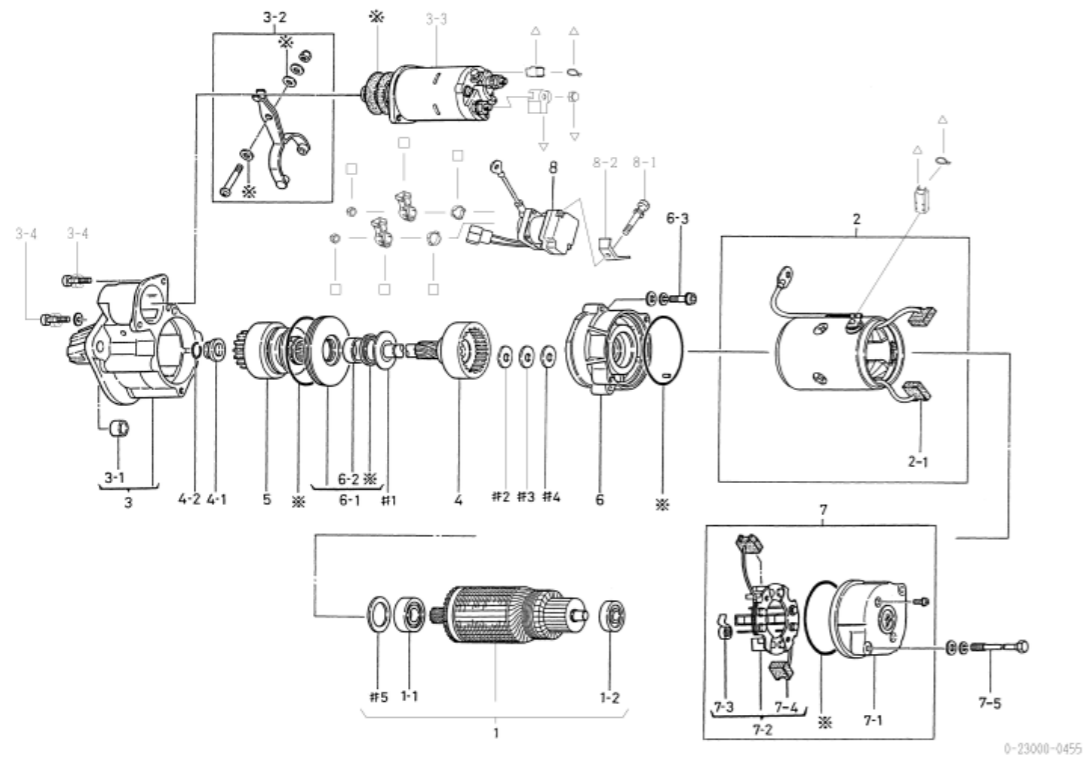
0-23000-0455 STARTING MOTOR

OEM CUSTOMER	KOMATSU	OEM PARTS NUMBER	600-813-3173
NOMINAL OUTPUT	24V 2.8Kw	SUPPLY TERM	15.06~
WEIGHT	7.3 kg	SWITCH	SAFETY RELAY (INSTALLED ON LEFT)
ENGINE MODEL	4D95S-W		
VEHICLE	D20-7		
OLD MODEL RECORD	0-23000-0100 → 0450 → 0451 → 0452 → 0455		
DESIGN RECORD	0100 → 0450	O.R.CLUTCH, MAG.SW CHANGED	
	0450 → 0451	SFR CHANGED	
	0451 → 0452	JUMPSTART SPECIFICATION, SFR AND MAG.SW CHANGED	
	0452 → 0455	CAUTION PLATE CHANGED	
NOTE	DRIP PROOF OIL PROOF ϕ 78		

0-23000-0455 STARTING MOTOR (MAKER PART NO 600-813-3173)

No	Parts Number	Maker Parts No	Description	Qty	List Price	Note
1	7-23100-0250		ARMATURE ASSY	1		INCLUDING 1-1, 1-2, #5
1-1	1-0454-60037		BALL BEARING	1		FRONT
1-2	1-0454-06087		BALL BEARING	1		REAR
2	0-23200-0804		YOKE ASSY	1		INCLUDING 2-1
2-1	1-23740-0150		BRUSH CO	2		(+)
3	0-23310-0554		F.BRACKET CO	1		INCLUDING 3-1
3-1	7-23351-0164		METAL	1		FRONT
3-2	7-23320-0030		SHIFT LEVER ASSY	1		
3-3	7-47100-0344		MAG.SWITCH ASSY	1		
3-4	0-0274-06202		BOLT	2		
4	1-23111-0370		SHAFT	1		
4-1	1-23181-0050		PINION STOPPER	1		
4-2	1-09066-0050		CLIP RING	1		
5	0-23500-0357		O.R.CLUTCH ASSY	1		
6	1-23611-0460		CENTER BRACKET	1		
6-1	0-23600-0174		C.BRACKET ASSY	1		INCLUDING 6-2,OIL SEAL
6-2	7-23351-0154		METAL	1		CENTER
6-3	1-0240-06355		BOLT	2		
7	7-23700-0224		R.BRACKET ASSY	1		INCLUDING 7-1~7-4
7-1	1-23711-0180		REAR BRACKET	1		
7-2	7-23750-0094		BRUSH HOLDER CO	1		INCLUDING 2-1,7-3,7-4
7-3	0-23913-0080		BRUSH SPRING	4		
7-4	0-23740-0144		BRUSH CO	2		(-)
7-5	1-23901-0080		BOLT	2		THROUGH BOLT
8	0-25000-6973		SWITCH	1		
8-1	0-0270-06402		BOLT	1		
8-2	1-47927-1250		HOLDER	1		
#1	1-09101-0100		INSULATE WASHER	1		
#2	1-23921-0130		WASHER	1		
#3	1-23921-0140		WASHER	1		FOR ADJUSTMENT
#4	1-23941-0030		INSULATE WASHER	1		
#5	1-23921-0150		WASHER	1		FOR ADJUSTMENT
※	7-09210-3080		SEAL ASSY	1		
△	7-47761-0070		COVER ASSY	1		
□	7-47761-0030		COVER ASSY	1		

※	7-09210-3080	SEAL ASSY	
	1-0345-06001	SEAL WASHER	2
	1-09210-0670	OIL SEAL	1
	1-09211-1160	O RING	2
	1-09211-1180	O RING	1
	0-47952-0531	GUM CAP	1



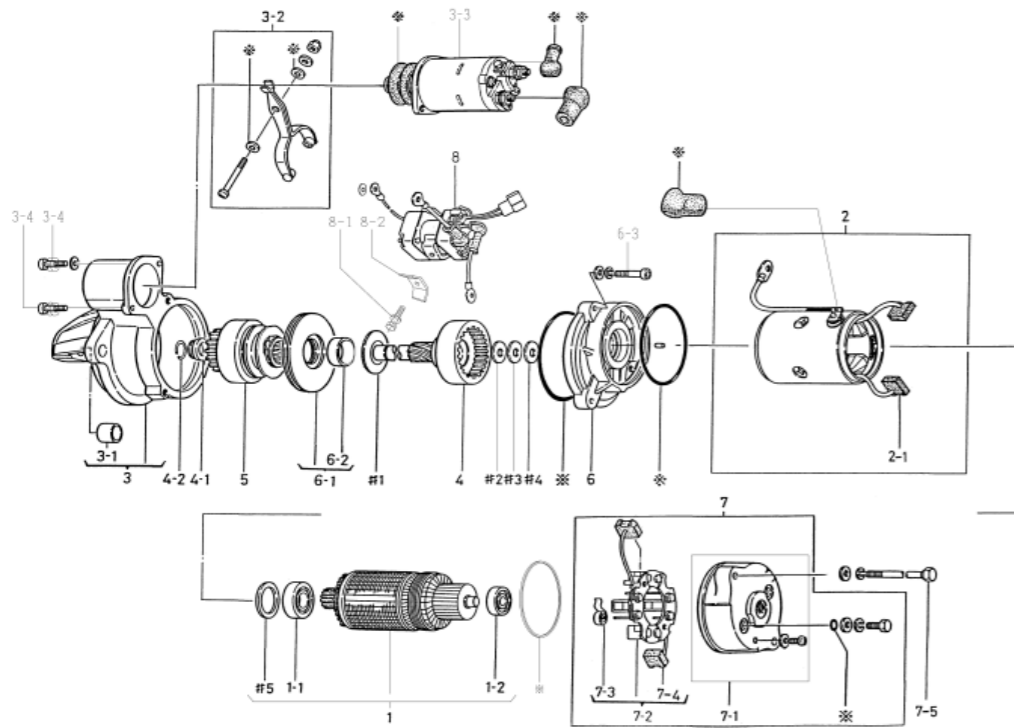
0-23000-0455

0-23000-0461 STARTING MOTOR

OEM CUSTOMER	KOMATSU	OEM PARTS NUMBER	600-813-3190
NOMINAL OUTPUT	24V 2.8Kw	SUPPLY TERM	02.08~
WEIGHT	7.5 kg	SWITCH	SAFETY RELAY (INSTALLED ON RIGHT)
ENGINE MODEL	6D95L		
VEHICLE	EG65, EG85BS		
OLD MODEL RECORD	0-23000-0180 → 0183 → 0460 → 0461		
DESIGN RECORD	0180 → 0183	O.R.CLUTCH, RUBBER BELLOWS OF MAG. SW CHANGED	
	0183 → 0460	SFR CHANGED	
	0460 → 0461	SFR AND MAG. SW CHANGED	
NOTE	WATER PROOF φ 78		

0-23000-0461 STARTING MOTOR (MAKER PART NO 600-813-3190)

No	Parts Number	Maker Parts No	Description	Qty	List Price	Note
1	7-23100-0250		ARMATURE ASSY	1		INCLUDING 1-1, 1-2, #5
1-1	1-0454-60037		BALL BEARING	1		FRONT
1-2	1-0454-06087		BALL BEARING	1		REAR
2	0-23200-0244		YOKE ASSY	1		INCLUDING 2-1
2-1	1-23740-0150		BRUSH CO	2		(+)
3	0-23310-0814		F.BRACKET ASSY	1		INCLUDING 3-1
3-1	7-23351-0164		METAL	1		FRONT
3-2	7-23320-0030		SHIFT LEVER ASSY	1		
3-3	0-47100-5004		MAG.SWITCH ASSY	1		
3-4	0-0274-06202		BOLT	2		
4	1-23111-0370		SHAFT	1		
4-1	1-23181-0050		PINION STOPPER	1		
4-2	1-09066-0050		CLIP RING	1		
5	0-23500-0434		O.R.CLUTCH ASSY	1		
6	0-23611-0660		CENTER BRACKET	1		
6-1	0-23610-0104		C.BRACKET ASSY	1		INCLUDING 6-2
6-2	7-23351-0154		METAL	1		CENTER
6-3	1-0240-06355		BOLT	2		
7	7-23700-0294		R.BRACKET ASSY	1		INCLUDING 7-1~7-4
7-1	0-23700-0120		R.BRACKET ASSY	1		
7-2	7-23750-0094		BRUSH HOLDER CO	1		INCLUDING 2-1,7-3,7-4
7-3	0-23913-0080		BRUSH SPRING	4		
7-4	0-23740-0144		BRUSH CO	2		(-)
7-5	1-23901-0080		BOLT	2		THROUGH BOLT
8	0-25000-8910		SWITCH	1		
8-1	0-0270-06402		BOLT	1		
8-2	1-47927-1250		HOLDER	1		
#1	1-09101-0100		INSULATE WASHER	1		
#2	1-23921-0130		WASHER	1		
#3	1-23921-0140		WASHER	1		FOR ADJUSTMENT
#4	1-23941-0030		INSULATE WASHER	1		
#5	1-23921-0150		WASHER	1		FOR ADJUSTMENT
※	7-09210-3090		SEAL ASSY	1		



0-23000-0461

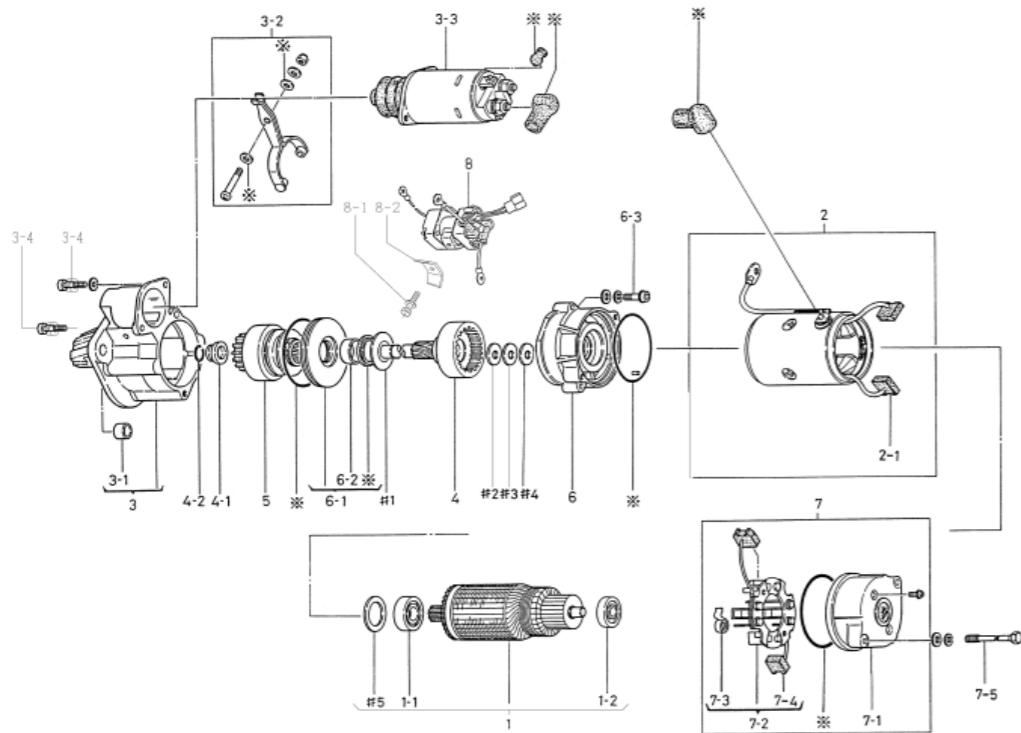
※	7-09210-3090	SEAL ASSY	
	0-47952-0531	GUM CAP	1
	1-0345-06001	SEAL WASHER	2
	1-0505-00401	O RING	2
	1-09211-1160	O RING	2
	1-09211-1180	O RING	1
	1-09252-0420	GUM CAP	1
	1-09252-0430	GUM CAP	2

0-23000-0470 STARTING MOTOR

OEM CUSTOMER	KOMATSU	OEM PARTS NUMBER	600-813-3130
NOMINAL OUTPUT	24V 2.8Kw	SUPPLY TERM	99.10~
WEIGHT	7.3 kg	SWITCH	SAFETY RELAY (INSTALLED ON RIGHT)
ENGINE MODEL	4D95S-W		
VEHICLE	D20, D21-6		
OLD MODEL RECORD	0-23000-0060 → 0063 → 0470		
DESIGN RECORD	0060 → 0063 O.R.CLUTCH, RUBBER BELLOWS OF MAG. SW CHANGED 0063 → 0470 SFR CHANGED		
NOTE	DRIP PROOF OIL PROOF φ78		

0-23000-0470 STARTING MOTOR (MAKER PART NO 600-813-3130)

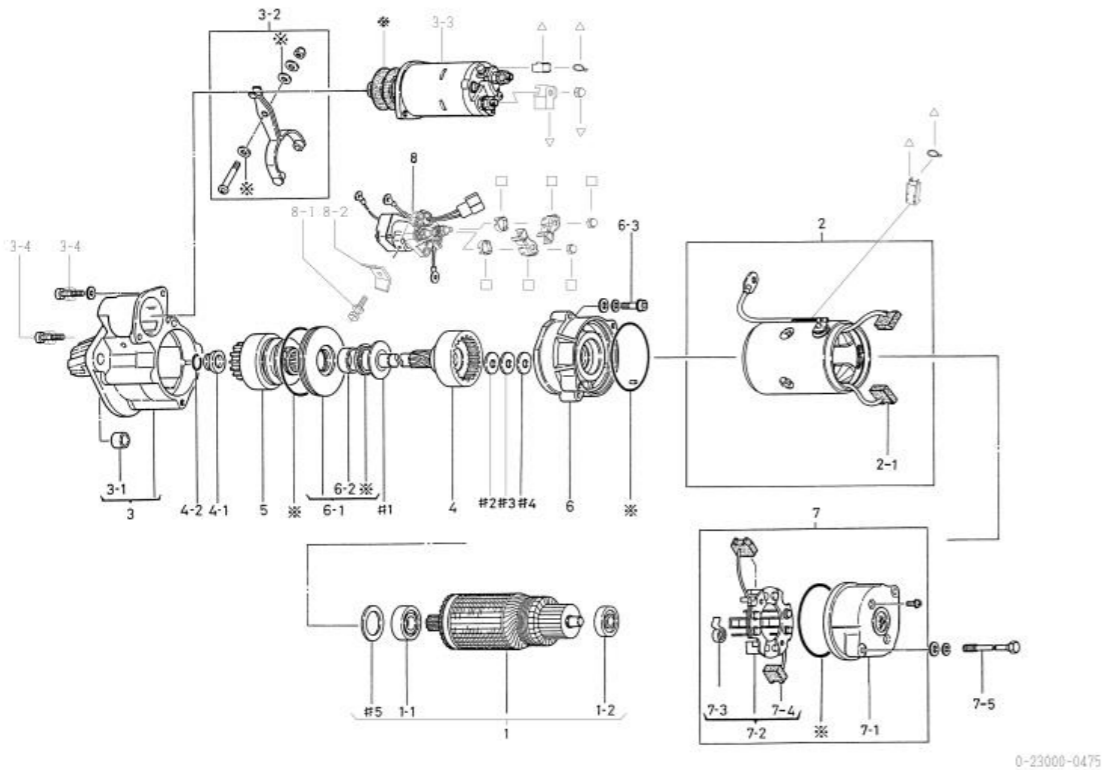
No	Parts Number	Maker Parts No	Description	Qty	List Price	Note
1	7-23100-0250		ARMATURE ASSY	1		INCLUDING 1-1, 1-2, #5
1-1	1-0454-60037		BALL BEARING	1		FRONT
1-2	1-0454-06087		BALL BEARING	1		REAR
2	0-23200-0244		YOKE ASSY	1		INCLUDING 2-1
2-1	1-23740-0150		BRUSH CO	2		(+)
3	0-23310-0554		F.BRACKET ASSY	1		INCLUDING 3-1
3-1	7-23351-0164		METAL	1		FRONT
3-2	7-23320-0030		SHIFT LEVER ASSY	1		
3-3	0-47100-3590		MAG.SWITCH ASSY	1		
3-4	0-0274-06202		BOLT	2		
4	1-23111-0370		SHAFT	1		
4-1	1-23181-0050		PINION STOPPER	1		
4-2	1-09066-0050		CLIP RING	1		
5	0-23500-0357		O.R.CLUTCH ASSY	1		
6	1-23611-0460		CENTER BRACKET	1		
6-1	0-23600-0174		C.BRACKET ASSY	1		INCLUDING 6-2,OIL SEAL
6-2	7-23351-0154		METAL	1		CENTER
6-3	1-0240-06355		BOLT	2		
7	7-23700-0224		R.BRACKET ASSY	1		INCLUDING 7-1~7-4
7-1	1-23711-0180		REAR BRACKET	1		
7-2	7-23750-0094		BRUSH HOLDER CO	1		INCLUDING 2-1,7-3,7-4
7-3	0-23913-0080		BRUSH SPRING	4		
7-4	0-23740-0144		BRUSH CO	2		(-)
7-5	1-23901-0080		BOLT	2		THROUGH BOLT
8	0-25000-8910		SWITCH	1		
8-1	0-0270-06402		BOLT	1		
8-2	1-47927-1250		HOLDER	1		
#1	1-09101-0100		INSULATE WASHER	1		
#2	1-23921-0130		WASHER	1		
#3	1-23921-0140		WASHER	1		FOR ADJUSTMENT
#4	1-23941-0030		INSULATE WASHER	1		
#5	1-23921-0150		WASHER	1		FOR ADJUSTMENT
※	7-09210-1400		SEAL ASSY	1		
※	7-09210-1400	SEAL ASSY				
	1-0345-06001	SEAL WASHER	2			
	1-09210-0670	OIL SEAL	1			
	1-09211-1160	O RING	2			
	1-09211-1180	O RING	1			
	1-09252-0420	GUM CAP	1			
	1-09252-0430	GUM CAP	2			



0-23000-0470

0-23000-0475 STARTING MOTOR

OEM CUSTOMER	KOMATSU	OEM PARTS NUMBER	600-813-3132
NOMINAL OUTPUT	24V 2.8Kw	SUPPLY TERM	15.06~
WEIGHT	7.3 kg	SWITCH	SAFETY RELAY (INSTALLED ON RIGHT)
ENGINE MODEL	4D95S-W		
VEHICLE	D20, D21-6		
OLD MODEL RECORD	0-23000-0471 → 0475		
DESIGN RECORD	0471 → 0475 CAUTION PLATE CHANGED		
NOTE	DRIP PROOF OIL PROOF φ78		



0-23000-0475

0-23000-0475 STARTING MOTOR (MAKER PART NO 600-813-3132)

No	Parts Number	Maker Parts No	Description	Qty	List Price	Note
1	7-23100-0250		ARMATURE ASSY	1		INCLUDING 1-1, 1-2, #5
1-1	1-0454-60037		BALL BEARING	1		FRONT
1-2	1-0454-06087		BALL BEARING	1		REAR
2	0-23200-0804		YOKE ASSY	1		INCLUDING 2-1
2-1	1-23740-0150		BRUSH CO	2		(+)
3	0-23310-0554		F.BRACKET ASSY	1		INCLUDING 3-1
3-1	7-23351-0164		METAL	1		FRONT
3-2	7-23320-0030		SHIFT LEVER ASSY	1		
3-3	7-47100-0344		MAG.SWITCH ASSY	1		
3-4	0-0274-06202		BOLT	2		
4	1-23111-0370		SHAFT	1		
4-1	1-23181-0050		PINION STOPPER	1		
4-2	1-09066-0050		CLIP RING	1		
5	0-23500-0357		O.R.CLUTCH ASSY	1		
6	1-23611-0460		CENTER BRACKET	1		
6-1	0-23600-0174		C.BRACKET ASSY	1		INCLUDING 6-2,OIL SEAL
6-2	7-23351-0154		METAL	1		CENTER
6-3	1-0240-06355		BOLT	2		
7	7-23700-0224		R.BRACKET ASSY	1		INCLUDING 7-1~7-4
7-1	1-23711-0180		REAR BRACKET	1		
7-2	7-23750-0094		BRUSH HOLDER CO	1		INCLUDING 2-1,7-3,7-4
7-3	0-23913-0080		BRUSH SPRING	4		
7-4	0-23740-0144		BRUSH CO	2		(-)
7-5	1-23901-0080		BOLT	2		THROUGH BOLT
8	0-25000-8501		SWITCH	1		
8-1	0-0270-06402		BOLT	1		
8-2	1-47927-1250		HOLDER	1		
#1	1-09101-0100		INSULATE WASHER	1		
#2	1-23921-0130		WASHER	1		
#3	1-23921-0140		WASHER	1		FOR ADJUSTMENT
#4	1-23941-0030		INSULATE WASHER	1		
#5	1-23921-0150		WASHER	1		FOR ADJUSTMENT
※	7-09210-3080		SEAL ASSY	1		
△	7-47761-0060		COVER ASSY	1		
□	7-47761-0030		COVER ASSY	1		

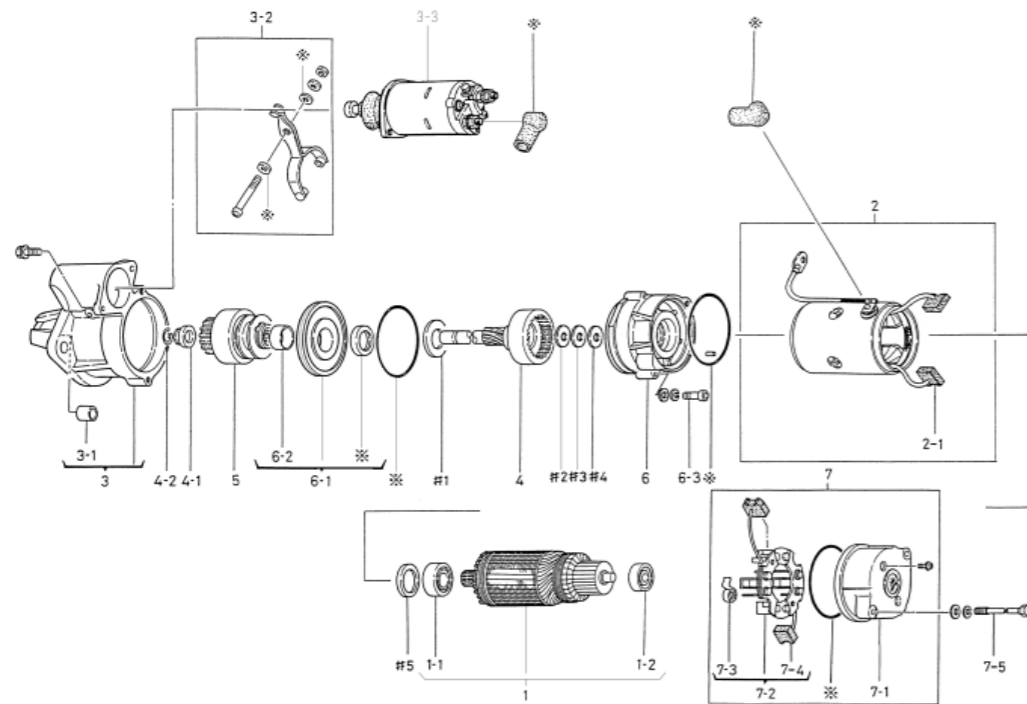
※	7-09210-3080	SEAL ASSY	
	1-0345-06001	SEAL WASHER	2
	1-09210-0670	OIL SEAL	1
	1-09211-1160	O RING	2
	1-09211-1180	O RING	1
	0-47952-0531	GUM CAP	1

0-23000-0480 STARTING MOTOR

OEM CUSTOMER	KOMATSU	OEM PARTS NUMBER	600-813-1732
NOMINAL OUTPUT	12V 2.2Kw	SUPPLY TERM	02.07~
WEIGHT	6.5 kg	SWITCH	
ENGINE MODEL	4D95S,4D95L		
VEHICLE	FD20, FD30H		
OLD MODEL RECORD	0-23000-0471 → 0475		
DESIGN RECORD	0170 → 0171 REMOVED WASHER ON B TERMINAL 0171 → 0172 RUBBER BELLOWS OF MAG. SW CHANGED 0172 → 0173 O.R.CLUTCH CHANGED 0173 → 0480 MAG. SW CHANGED		
NOTE	DRIP PROOF OIL PROOF φ 78		

0-23000-0480 STARTING MOTOR (MAKER PART NO 600-813-1732)

No	Parts Number	Maker Parts No	Description	Qty	List Price	Note
1	723100-0160		ARMATURE ASSY	1		INCLUDING 1-1, 1-2
1-1	1-0454-60037		BALL BEARING	1		FRONT
1-2	1-0454-06087		BALL BEARING	1		REAR
2	0-23200-0274		YOKE ASSY	1		INCLUDING 2-1
2-1	0-23740-0205		BRUSH CO	2		(+)
3	0-23310-0834		FRONT BRACKET CO	1		INCLUDING 3-1
3-1	7-23351-0164		METAL	1		FRONT
3-2	7-23320-0030		SHIFT LEVER ASSY	1		
3-3	0-47100-4990		MAG.SWITCH ASSY	1		
4	1-23111-0370		SHAFT	1		
4-1	1-23181-0050		PINION STOPPER	1		
4-2	1-09066-0050		CLIP RING	1		
5	0-23500-0424		O.R.CLUTCH ASSY	1		
6	0-23611-0461		CENTER BRACKET	1		
6-1	0-23600-0174		C.BRACKET ASSY	1		INCLUDING 6-2,OIL SEAL
6-2	7-23351-0154		METAL	1		CENTER
6-3	1-0240-06355		BOLT	2		
7	7-23700-0394		R.BRACKET ASSY	1		INCLUDING 7-1~7-4
7-1	1-23711-0140		REAR BRACKET	1		
7-2	7-23750-0194		BRUSH HOLDER CO	1		INCLUDING 2-1,7-3,7-4
7-3	0-23913-0080		BRUSH SPRING	4		
7-4	0-23740-0210		BRUSH CO	2		(-)
7-5	0-09001-4390		BOLT	2		THROUGH BOLT
#1	1-09101-0100		INSULATE WASHER	1		
#2	1-23921-0130		WASHER	1		
#3	1-23921-0140		WASHER	1		FOR ADJUSTMENT
#4	1-23941-0030		INSULATE WASHER	1		
#5	1-23921-0150		WASHER	1		FOR ADJUSTMENT
※	7-09210-1140		SEAL ASSY	1		



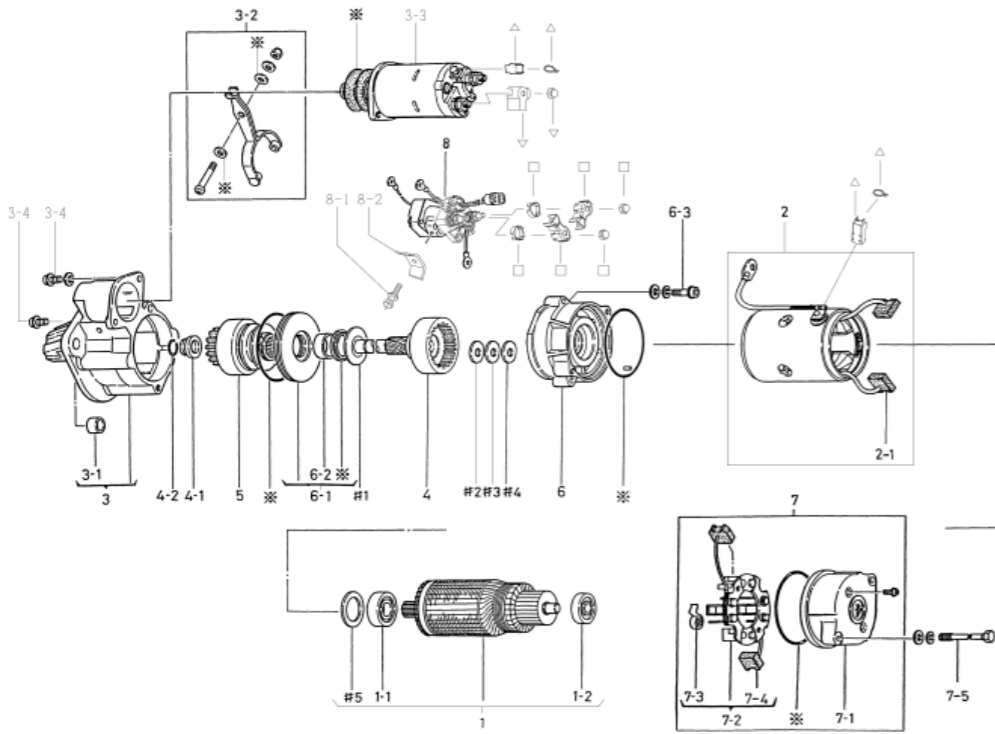
※	7-09210-1140	SEAL ASSY		
	1-09210-0670	OIL SEAL	1	
	1-09211-1160	O RING	2	
	1-09211-1180	O RING	1	
	1-09252-0430	GUM CAP	2	
	1-0345-06001	SEAL WASHER	2	

0-23000-0520 STARTING MOTOR

OEM CUSTOMER	KOMATSU	OEM PARTS NUMBER	600-813-4412
NOMINAL OUTPUT	24V 2.8Kw	SUPPLY TERM	02.07~
WEIGHT	7.5 kg	SWITCH	SAFETY RELAY (INSTALLED ON RIGHT)
ENGINE MODEL	4D95L		
VEHICLE	PC60-7		
OLD MODEL RECORD	0-23000-0330 → 0332 → 0333 → 0520		
DESIGN RECORD	0330 → 0332 O.R.CLUTCH, RUBBER BELLOWS OF MAG. SW CHANGED 0332 → 0333 SFR CHANGED 0333 → 0520 JUMPSTART SPECIFICATION, SFR AND MAG.SW CHANGED		
NOTE	DRIP PROOF OIL PROOF φ78		

0-23000-0520 STARTING MOTOR (MAKER PART NO 600-813-4412)

No	Parts Number	Maker Parts No	Description	Qty	List Price	Note
1	7-23100-0250		ARMATURE ASSY	1		INCLUDING 1-1, 1-2, #5
1-1	1-0454-60037		BALL BEARING	1		FRONT
1-2	1-0454-06087		BALL BEARING	1		REAR
2	0-23200-0804		YOKE ASSY	1		INCLUDING 2-1
2-1	1-23740-0150		BRUSH CO	2		(+)
3	0-23310-0554		FRONT BRACKET CO	1		INCLUDING 3-1
3-1	7-23351-0164		METAL	1		FRONT
3-2	7-23320-0030		SHIFT LEVER ASSY	1		
3-3	7-47100-0330		MAG.SWITCH ASSY	1		
3-4	0-0274-06202		BOLT	2		
4	1-23111-0370		SHAFT	1		
4-1	1-23181-0050		PINION STOPPER	1		
4-2	1-09066-0050		CLIP RING	1		
5	0-23500-0357		O.R.CLUTCH ASSY	1		
6	1-23611-0460		CENTER BRACKET	1		
6-1	0-23600-0174		C.BRACKET ASSY	1		INCLUDING 6-2,OIL SEAL
6-2	7-23351-0154		METAL	1		CENTER
6-3	1-0240-06355		BOLT	2		
7	7-23700-0224		R.BRACKET ASSY	1		INCLUDING 7-1~7-4
7-1	1-23711-0180		REAR BRACKET	1		
7-2	7-23750-0094		BRUSH HOLDER CO	1		INCLUDING 2-1,7-3,7-4
7-3	0-23913-0080		BRUSH SPRING	4		
7-4	0-23740-0144		BRUSH CO	2		(-)
7-5	1-23901-0080		BOLT	2		THROUGH BOLT
8	0-25000-7772		SWITCH	1		
8-1	0-0270-06402		BOLT	1		
8-2	1-47927-1250		HOLDER	1		
#1	1-09101-0100		INSULATE WASHER	1		
#2	1-23921-0130		WASHER	1		
#3	1-23921-0140		WASHER	1		FOR ADJUSTMENT
#4	1-23941-0030		INSULATE WASHER	1		
#5	1-23921-0150		WASHER	1		FOR ADJUSTMENT
※	7-09210-3080		SEAL ASSY	1		
△	7-47761-0060		MAG.SWITCH COVER ASSY	1		
□	7-47761-0030		SWITCH COVER ASSY	1		

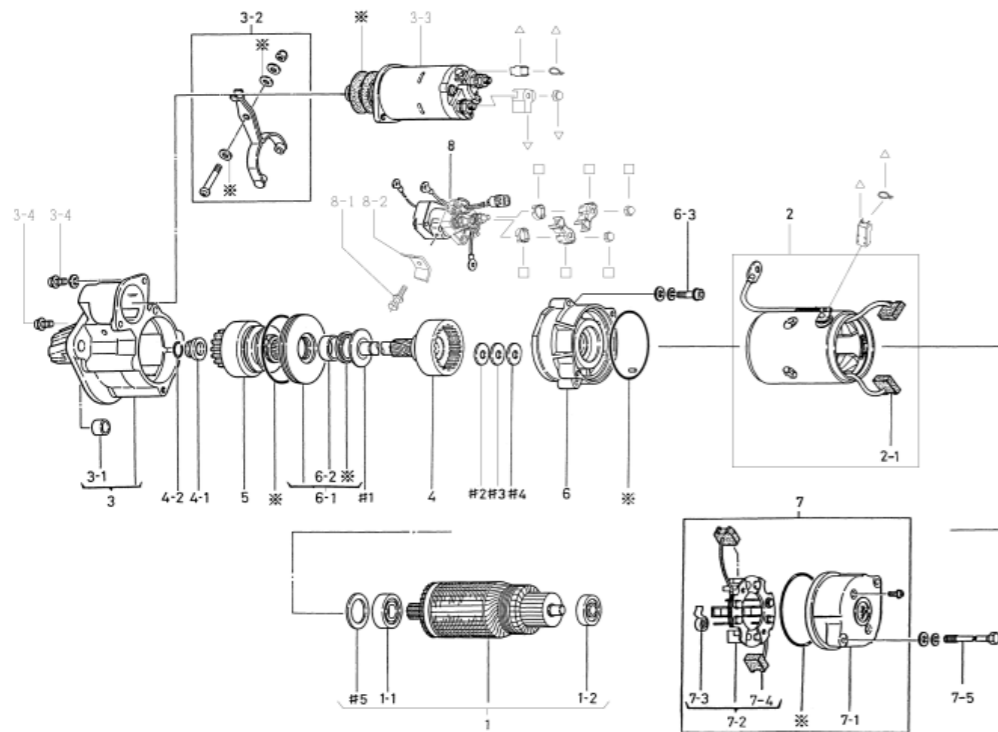


0-23000-0520

※	7-09210-3080	SEAL ASSY	
	1-0345-06001	SEAL WASHER	2
	1-09210-0670	OIL SEAL	1
	1-09211-1160	O RING	2
	1-09211-1180	O RING	1
	0-47952-0531	GUM CAP	1

0-23000-0525 STARTING MOTOR

OEM CUSTOMER	KOMATSU	OEM PARTS NUMBER	600-813-4413
NOMINAL OUTPUT	24V 2.8Kw	SUPPLY TERM	15.05~
WEIGHT	7.5 kg	SWITCH	SAFETY RELAY (INSTALLED ON RIGHT)
ENGINE MODEL	4D95L		
VEHICLE	PC60-7		
OLD MODEL RECORD	0-23000-0330 → 0332 → 0333 → 0520 → 0525		
DESIGN RECORD	0330 → 0332	O.R.CLUTCH, RUBBER BELLOWS OF MAG. SW CHANGED	
	0332 → 0333	SFR CHANGED	
	0333 → 0520	JUMPSTART SPECIFICATION, SFR AND MAG.SW CHANGED	
	0520 → 0525	CAUTION PLATE CHANGED	
NOTE	DRIP PROOF OIL PROOF φ78		



0-23000-0525

0-23000-0525 STARTING MOTOR (MAKER PART NO 600-813-4413)

No	Parts Number	Maker Parts No	Description	Qty	List Price	Note
1	7-23100-0250		ARMATURE ASSY	1		INCLUDING 1-1, 1-2, #5
1-1	1-0454-60037		BALL BEARING	1		FRONT
1-2	1-0454-06087		BALL BEARING	1		REAR
2	0-23200-0804		YOKE ASSY	1		INCLUDING 2-1
2-1	1-23740-0150		BRUSH CO	2		(+)
3	0-23310-0554		FRONT BRACKET CO	1		INCLUDING 3-1
3-1	7-23351-0164		METAL	1		FRONT
3-2	7-23320-0030		SHIFT LEVER ASSY	1		
3-3	7-47100-0334		MAG.SWITCH ASSY	1		
3-4	0-0274-06202		BOLT	2		
4	1-23111-0370		SHAFT	1		
4-1	1-23181-0050		PINION STOPPER	1		
4-2	1-09066-0050		CLIP RING	1		
5	0-23500-0357		O.R.CLUTCH ASSY	1		
6	1-23611-0460		CENTER BRACKET	1		
6-1	0-23600-0174		C.BRACKET ASSY	1		INCLUDING 6-2,OIL SEAL
6-2	7-23351-0154		METAL	1		CENTER
6-3	1-0240-06355		BOLT	2		
7	7-23700-0224		R.BRACKET ASSY	1		INCLUDING 7-1~7-4
7-1	1-23711-0180		REAR BRACKET	1		
7-2	7-23750-0094		BRUSH HOLDER CO	1		INCLUDING 2-1,7-3,7-4
7-3	0-23913-0080		BRUSH SPRING	4		
7-4	0-23740-0144		BRUSH CO	2		(-)
7-5	1-23901-0080		BOLT	2		THROUGH BOLT
8	0-25000-7772		SWITCH	1		
8-1	0-0270-06402		BOLT	1		
8-2	1-47927-1250		HOLDER	1		
#1	1-09101-0100		INSULATE WASHER	1		
#2	1-23921-0130		WASHER	1		
#3	1-23921-0140		WASHER	1		FOR ADJUSTMENT
#4	1-23941-0030		INSULATE WASHER	1		
#5	1-23921-0150		WASHER	1		FOR ADJUSTMENT
※	7-09210-3080		SEAL ASSY	1		
△	7-47761-0060		MAG.SWITCH COVER ASSY	1		
□	7-47761-0030		SWITCH COVER ASSY	1		

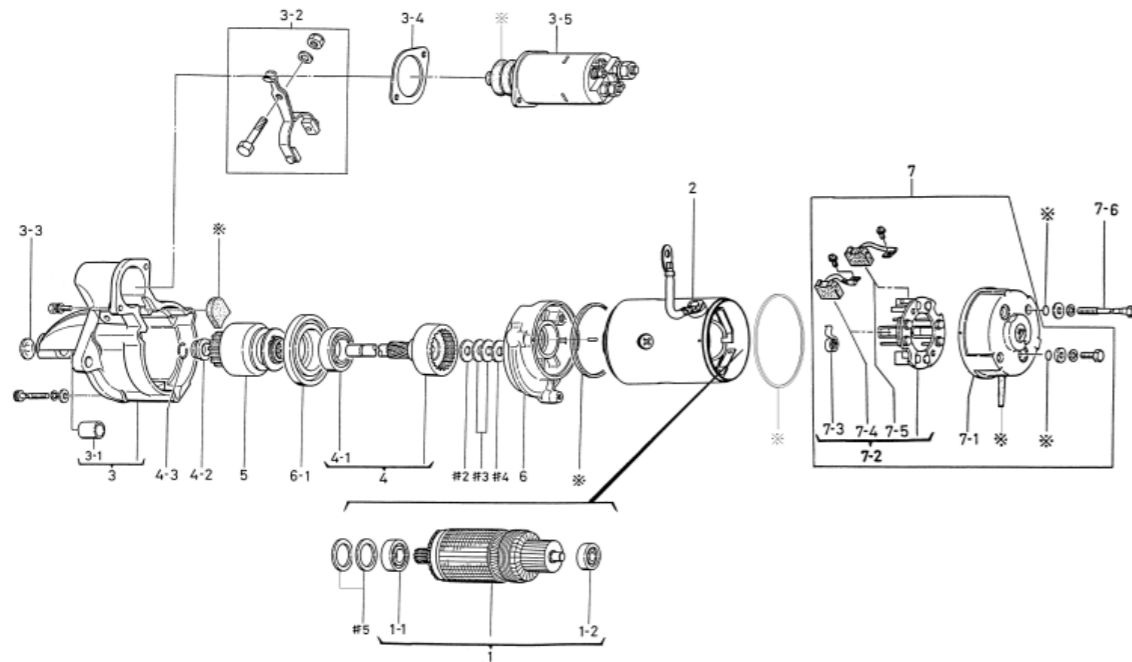
※	7-09210-3080	SEAL ASSY	
	1-0345-06001	SEAL WASHER	2
	1-09210-0670	OIL SEAL	1
	1-09211-1160	O RING	2
	1-09211-1180	O RING	1
	0-47952-0531	GUM CAP	1

0-23000-1031 STARTING MOTOR

OEM CUSTOMER	ISUZU	OEM PARTS NUMBER	1-81100189-2
NOMINAL OUTPUT	24V 4.5Kw	SUPPLY TERM	82.11~
WEIGHT	8.9kg	SWITCH	
ENGINE MODEL	6BD1, 6BG1		
VEHICLE	FSR11, FRR12		
OLD MODEL RECORD			
DESIGN RECORD			
NOTE	DRIP PROOF $\phi 90$		

0-23000-1031 STARTING MOTOR (MAKER PART NO 1-81100189-2)

No	Parts Number	Maker Parts No	Description	Qty	List Price	Note
1	7-23100-0070	1-81121037-0	ARMATURE ASSY	1		INCLUDING 1-1, 1-2
1-1	1-0456-60037	5-81129155-0	BALL BEARING	1		FRONT
1-2	1-0456-62007	1-81129196-0	BALL BEARING	1		REAR
2	0-23200-0127	8-98155039-0	YOKE ASSY	1		INCLUDING 7-4
3	0-23310-0304	8-98155019-0	FRONT BRACKET CO	1		INCLUDING 3-1
3-1	7-23351-0144	8-98155024-0	METAL	1		FRONT
3-2	7-23320-0010		SHIFT LEVER ASSY	1		
3-3	1-0530-22002	5-81129142-0	DISH PLUG	1		
3-4	1-23922-0040	5-81129147-0	PLATE	1		
3-5	0-47100-3110	5-81151036-0	MAG.SWITCH ASSY	1		
4	7-23120-0110	1-81123024-0	SHAFT ASSY	1		INCLUDING 4-1
4-1	1-0454-60057	1-81129528-0	BALL BEARING	1		CENTER
4-2	1-23181-0030	5-81129145-0	PINION STOPPER	1		
4-3	1-23914-0030	5-81129144-0	CLIP RING	2		
5	0-23500-0015	8-98155028-0	O.R.CLUTCH ASSY	1		
6	1-23611-0222	1-81113082-0	CENTER BRACKET	1		
6-1	1-23611-0211	1-81113081-0	CENTER BRACKET	1		
7	7-23700-0701	1-81115069-0	R.BRACKET ASSY	1		INCLUDING 7-1~7-5
7-1	1-23710-0050	1-81115070-0	R.BRACKET CO	1		
7-2	7-23750-0054		BRUSH HOLDER CO	1		INCLUDING 7-3~7-5
7-3	1-23913-0010	5-81117019-0	BRUSH SPRING	4		
7-4	0-24740-0036	8-98197175-0	BRUSH CO	2		(+)
7-5	0-24740-0047	8-98197176-0	BRUSH CO	2		(-)
7-6	1-23901-0080	5-81129237-0	BOLT	2		THROUGH BOLT
#2	1-23921-0130	5-81129160-0	WASHER	1		
#3	1-23921-0140	5-81129159-0	WASHER	2		FOR ADJUSTMENT
#4	1-23941-0030	5-81129158-0	INSULATE WASHER	1		
#5	1-23921-0150	5-81129156-0	WASHER	2		FOR ADJUSTMENT
※	7-09210-0850	1-81129438-0	SEAL ASSY	1		
※	7-09210-0850	SEAL ASSY				
	1-09211-1030	O RING	1			
	1-09211-1050	O RING	4			
	1-09211-1060	O RING	1			
	1-09211-1070	O RING	2			
	1-23951-0120	PACKING	1			
	1-23951-0180	PACKING	1			
	0-23952-0012	GUM CAP	1			
	1-47952-0353	GUM CAP	1			



0-23000-1031

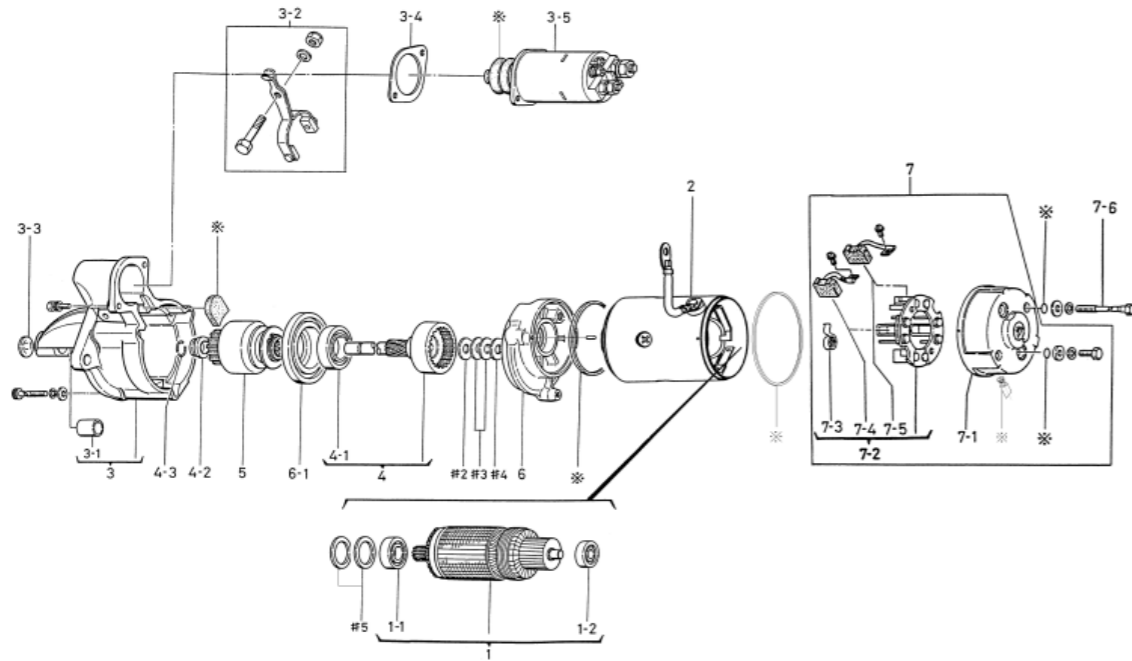
0-23000-1033 STARTING MOTOR

OEM CUSTOMER	ISUZU	OEM PARTS NUMBER	1-81100264-1
NOMINAL OUTPUT	24V 4.5Kw	SUPPLY TERM	88.01~
WEIGHT	8.9kg	SWITCH	
ENGINE MODEL	6BD1		
VEHICLE	MT		
OLD MODEL RECORD	0-23000-1032 → 1033		
DESIGN RECORD	1032 → 1033 REINFORCED CLUTCH		
NOTE	DRIP PROOF φ90		

0-23000-1033 STARTING MOTOR (MAKER PART NO 1-81100264-1)

No	Parts Number	Maker Parts No	Description	Qty	List Price	Note
1	7-23100-0070	1-81121037-0	ARMATURE ASSY	1		INCLUDING 1-1, 1-2
1-1	1-0456-60037	1-81129531-0	BALL BEARING	1		FRONT
1-2	1-0456-62007	1-81129532-0	BALL BEARING	1		REAR
2	0-23200-0127	8-98155039-0	YOKE ASSY	1		INCLUDING 7-4
3	0-23310-0304	8-98155019-0	FRONT BRACKET CO	1		INCLUDING 3-1
3-1	7-23351-0144	8-98155024-0	METAL	1		FRONT
3-2	7-23320-0010		SHIFT LEVER ASSY	1		
3-3	1-0530-22002	5-81129142-0	DISH PLUG	1		
3-4	1-23922-0040	5-81129147-0	PLATE	1		
3-5	0-47100-3110	5-81151036-0	MAG.SWITCH ASSY	1		
4	7-23120-0110	1-81123024-0	SHAFT ASSY	1		INCLUDING 4-1
4-1	1-0454-60057	1-81129528-0	BALL BEARING	1		CENTER
4-2	1-23181-0030	5-81129145-0	PINION STOPPER	1		
4-3	1-23914-0030	5-81129144-0	CLIP RING	2		
5	0-23500-0595		O.R.CLUTCH ASSY	1		
6	1-23611-0222	1-81113082-0	CENTER BRACKET	1		
6-1	1-23611-0211	1-81113081-0	CENTER BRACKET	1		
7	7-23700-0702		R.BRACKET ASSY	1		INCLUDING 7-1~7-5
7-1	0-23710-0056	1-81115203-0	REAR BRACKET CO	1		
7-2	7-23750-0054		BRUSH HOLDER CO	1		INCLUDING 7-3~7-5
7-3	1-23913-0010	5-81117019-0	BRUSH SPRING	4		
7-4	0-24740-0036	8-98197175-0	BRUSH CO	2		(+)
7-5	0-24740-0047	8-98197176-0	BRUSH CO	2		(-)
7-6	1-23901-0080	5-81129237-0	BOLT	2		THROUGH BOLT
#2	1-23921-0130	5-81129160-0	WASHER	1		
#3	1-23921-0140	5-81129159-0	WASHER	2		FOR ADJUSTMENT
#4	1-23941-0030	5-81129158-0	INSULATE WASHER	1		
#5	1-23921-0150	5-81129156-0	WASHER	2		FOR ADJUSTMENT
※	7-09210-0851	1-81129569-0	SEAL ASSY	1		

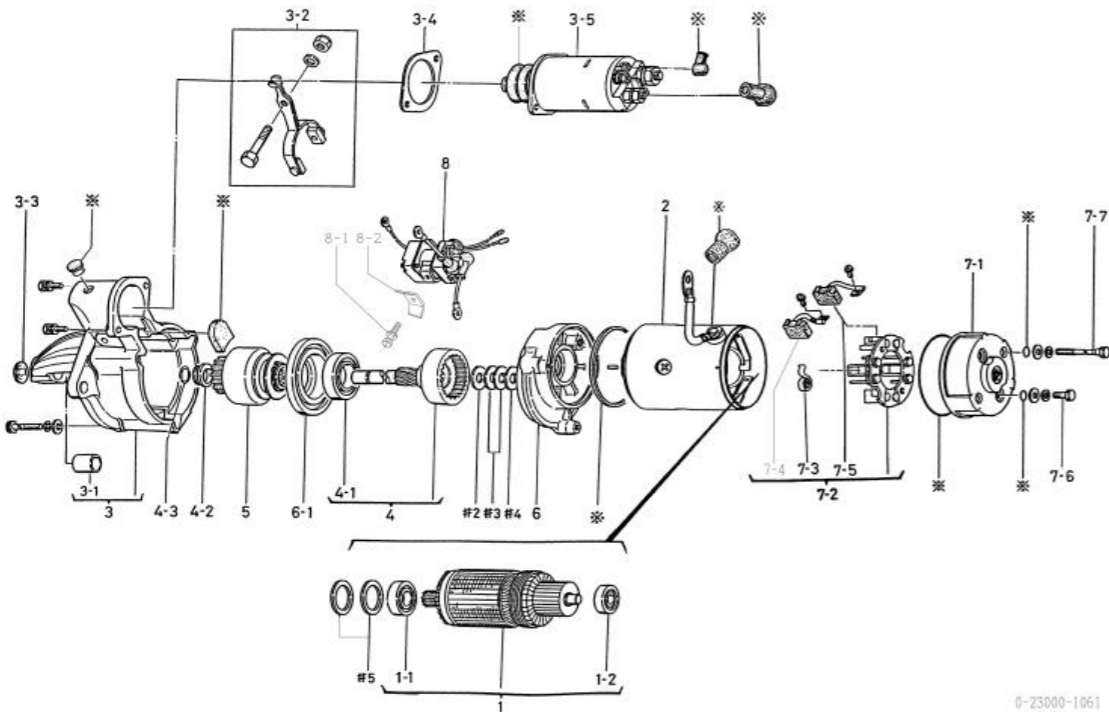
※	7-09210-0851	SEAL ASSY	
	1-09211-1030	O RING	1
	1-09211-1050	O RING	4
	1-09211-1060	O RING	1
	1-09211-1070	O RING	2
	1-23951-0120	PACKING	1
	1-23951-0180	PACKING	1
	1-23952-0020	GUM CAP	1
	1-47952-0353	GUM CAP	1



0-23000-1033

0-23000-1061 STARTING MOTOR

OEM CUSTOMER	ISUZU	OEM PARTS NUMBER	1-81100192-0
NOMINAL OUTPUT	24V 4.5Kw	SUPPLY TERM	01.06~
WEIGHT	9.3kg	SWITCH	SAFETY RELAY (INSTALLED ON RIGHT)
ENGINE MODEL	6BB1M		
VEHICLE	MARINE		
OLD MODEL RECORD	0-23000-1060 → 1061		
DESIGN RECORD	1060 → 1061	SFR CHANGED	
NOTE	DRIP PROOF $\phi 90$ 1-WIRE MARINE SPECIFICATION MARINE SPECIFICATION OF 0-23000-1031 (WITH SFR)		



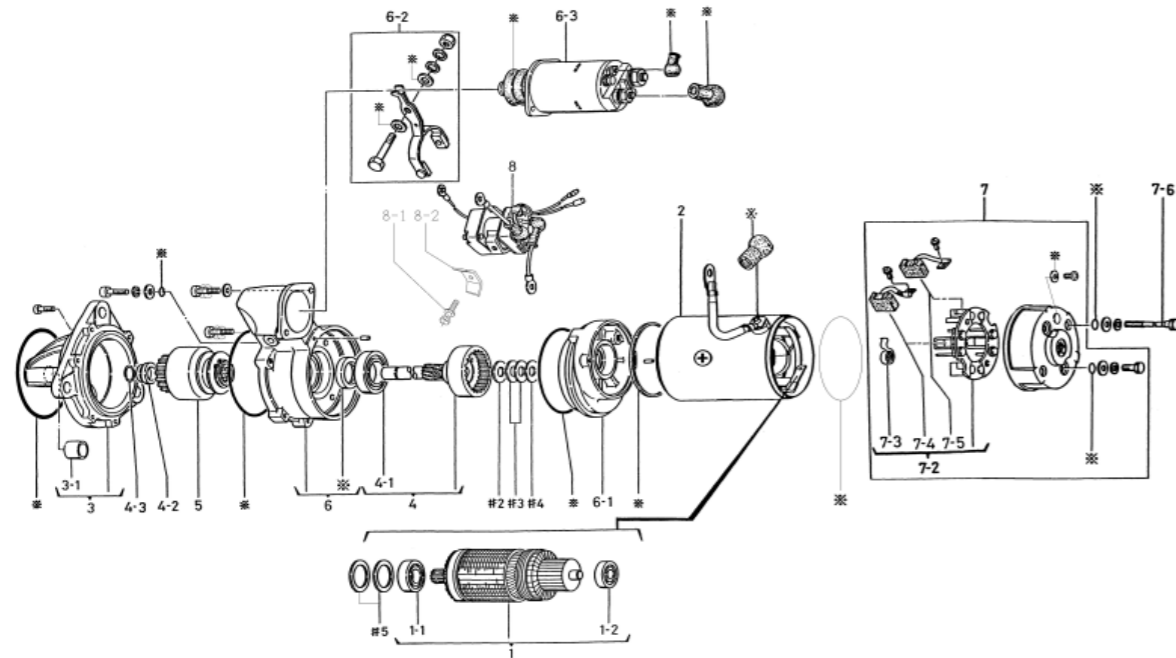
0-23000-1061

0-23000-1061 STARTING MOTOR (MAKER PART NO 1-81100192-0)

No	Parts Number	Maker Parts No	Description	Qty	List Price	Note
1	7-23100-0070	1-81121037-0	ARMATURE CO	1		INCLUDING 1-1, 1-2
1-1	1-0454-60037	1-81129531-0	BALL BEARING	1		FRONT
1-2	1-0454-62007	1-81129532-0	BALL BEARING	1		REAR
2	0-23200-1190		YOKE ASSY	1		INCLUDING 7-4
3	0-23310-0305		FRONT BRACKET CO	1		INCLUDING 3-1
3-1	7-23351-0144	8-98155024-0	METAL	1		FRONT
3-2	7-23320-0010		SHIFT LEVER ASSY	1		
3-3	1-0530-22002	5-81129142-0	DISH PLUG	1		
3-4	1-23922-0040	5-81129147-0	PLATE	1		
3-5	0-47100-3151	1-81151060-0	MAG.SWITCH ASSY	1		
4	7-23120-0110	1-81123024-0	SHAFT ASSY	1		INCLUDING 4-1
4-1	1-0454-60057	1-81129528-0	BALL BEARING	1		CENTER
4-2	1-23181-0030	5-81129145-0	PINION STOPPER	1		
4-3	1-23914-0030	5-81129144-0	CLIP RING	2		
5	0-23500-0015	8-98155028-0	O.R.CLUTCH ASSY	1		
6	1-23611-0221	1-81113074-0	CENTER BRACKET	1		
6-1	1-23611-0210	1-81114030-0	CENTER BRACKET	1		
7-1	1-23711-0072	1-81115064-0	REAR BRACKET	1		
7-2	7-23750-0084		BRUSH HOLDER CO	1		INCLUDING 7-3~7-5
7-3	1-23913-0020	1-81117015-0	BRUSH SPRING	4		
7-4	0-24740-0036	8-98197175-0	BRUSH CO	2		(+)
7-5	0-24740-0047	8-98197176-0	BRUSH CO	2		(-)
7-6	0-09001-4180	5-81129241-0	BOLT	2		
7-7	1-23901-0080	5-81129237-0	BOLT	2		THROUGH BOLT
8	0-25000-6162	1-82553025-0	SWITCH	1		
8-1	0-0270-06502	1-81129401-0	BOLT	1		
8-2	1-47927-0921		HOLDER	1		
#2	1-23921-0130	5-81129160-0	WASHER	1		
#3	1-23921-0140	5-81129159-0	WASHER	2		FOR ADJUSTMENT
#4	1-23941-0030	5-81129158-0	INSULATE WASHER	1		
#5	1-23921-0150	5-81129156-0	WASHER	2		FOR ADJUSTMENT
※	7-09210-0690	1-81129399-0	SEAL ASSY	1		
※	7-09210-0690	SEAL ASSY				
	1-09211-1030	O RING	1			
	1-09211-1050	O RING	4			
	1-09211-1060	O RING	1			
	1-09211-1070	O RING	2			
	1-09252-0420	GUM CAP	1			
	1-09252-0430	GUM CAP	2			
	1-23951-0120	PACKING	1			
	1-23951-0180	PACKING	1			
	1-47952-0353	GUM CAP	1			
	1-47953-0081	GUM BUSH	1			

0-23000-1082 STARTING MOTOR

OEM CUSTOMER	ISUZU	OEM PARTS NUMBER	1-81100197-2
NOMINAL OUTPUT	24V 4.5Kw	SUPPLY TERM	01.06~
WEIGHT	9.4kg	SWITCH	SAFETY RELAY (INSTALLED ON RIGHT)
ENGINE MODEL	6BD1		
VEHICLE	INDUSTRY (XE)		
OLD MODEL RECORD	0-23000-1080 → 1081		
DESIGN RECORD	1080 → 1081	SFR CHANGED	
	1081 → 1082	SFR CHANGED	
NOTE	WATER PROOF OIL PROOF φ90		



0-23000-1082

0-23000-1082 STARTING MOTOR (MAKER PART NO 1-81100197-2)

No	Parts Number	Maker Parts No	Description	Qty	List Price	Note
1	7-23100-0070	1-81121037-0	ARMATURE CO	1		INCLUDING 1-1,1-2
1-1	1-0454-60037	1-81129531-0	BALL BEARING	1		FRONT
1-2	1-0454-62007	1-81129532-0	BALL BEARING	1		REAR
2	0-23200-0127	8-98155039-0	YOKE ASSY	1		INCLUDING 7-4
3	0-23310-0334	8-98155023-0	FRONT BRACKET CO	1		INCLUDING 3-1
3-1	7-23351-0144	8-98155024-0	METAL	1		FRONT
4	7-23120-0130	1-81129402-0	SHAFT ASSY	1		INCLUDING 4-1
4-1	1-0454-60057	1-81129528-0	BALL BEARING	1		CENTER
4-2	1-23181-0030	5-81129145-0	PINION STOPPER	1		
4-3	1-23914-0030	5-81129144-0	CLIP RING	2		
5	0-23500-0015	8-98155028-0	O.R.CLUTCH ASSY	1		
6	0-23600-0090	1-81113076-0	CENTER BRACKET ASSY	1		INCLUDING OIL SEAL
6-1	1-23611-0250	1-81113077-0	CENTER BRACKET	1		
6-2	7-23320-0040		SHIFT LEVER ASSY	1		
6-3	0-47100-3110	5-81151036-0	MAG. SWITCH ASSY	1		
7	7-23700-0134		R.BRACKET ASSY	1		INCLUDING 7-2~7-5
7-2	7-23750-0054		BRUSH HOLDER CO	1		INCLUDING 7-3~7-5
7-3	1-23913-0010	5-81117019-0	BRUSH SPRING	4		
7-4	0-24740-0036	8-98197175-0	BRUSH CO	2		(+)
7-5	0-24740-0047	8-98197176-0	BRUSH CO	2		(-)
7-6	1-23901-0080	5-81129237-0	BOLT	2		THROUGH BOLT
8	0-25000-7812	1-82553055-1	SWITCH	1		
8-1	0-0270-06502	1-81129401-0	BOLT	1		
8-2	1-47927-0920	1-81118039-0	HOLDER	1		
#2	1-23921-0130	5-81129160-0	WASHER	1		
#3	1-23921-0140	5-81129159-0	WASHER	2		FOR ADJUSTMENT
#4	1-23941-0030	5-81129158-0	INSULATE WASHER	1		
#5	1-23921-0150	5-81129156-0	WASHER	2		FOR ADJUSTMENT
※	7-09210-0720	1-81129406-0	SEAL ASSY	1		

※	7-09210-0720	SEAL ASSY	
	1-0345-05001	SEAL WASHER	1
	1-0345-08001	SEAL WASHER	2
	1-0507-10001	O RING	1
	1-09210-1020	OIL SEAL	1
	1-09211-0980	O RING	2
	1-09211-1030	O RING	1
	1-09211-1050	O RING	4
	1-09211-1060	O RING	1
	1-09211-1070	O RING	5
	1-09252-0420	GUM CAP	1
	1-09252-0430	GUM CAP	2
	1-23951-0180	PACKING	1
	1-47952-0353	GUM CAP	1

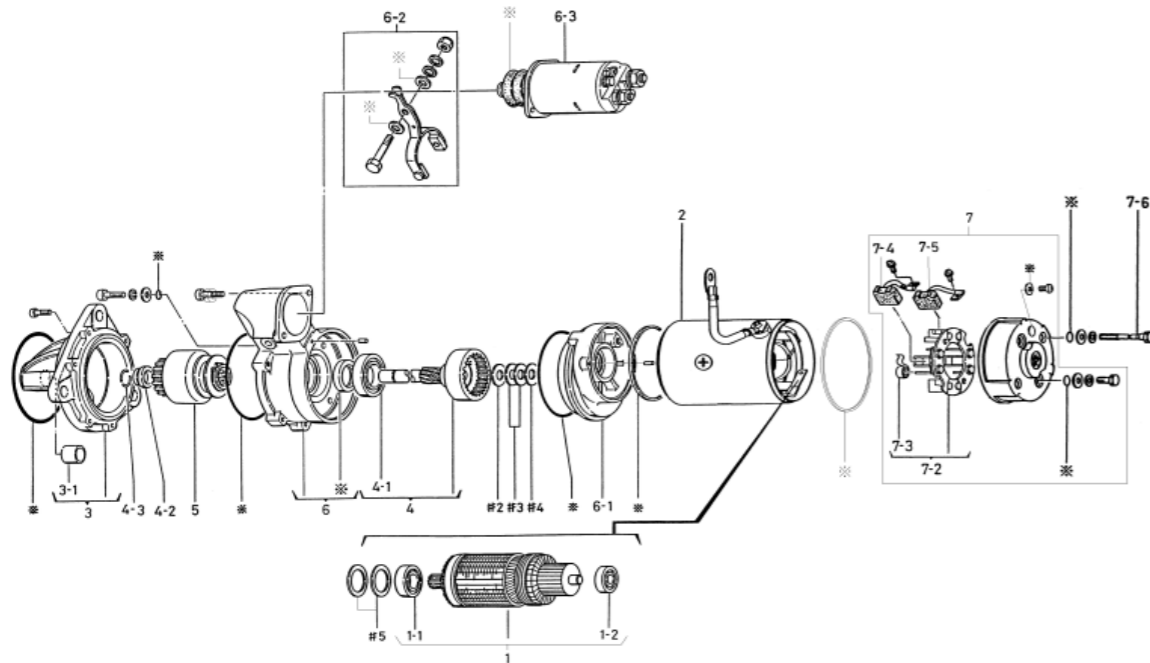
0-23000-1100 STARTING MOTOR

OEM CUSTOMER	ISUZU	OEM PARTS NUMBER	1-81100206-1
NOMINAL OUTPUT	24V 4.5Kw	SUPPLY TERM	81.10~
WEIGHT	9kg	SWITCH	
ENGINE MODEL	6BD1		
VEHICLE	INDUSTRY (XE)		
OLD MODEL RECORD			
DESIGN RECORD			
NOTE	WATER PROOF OIL PROOF $\phi 90$		

0-23000-1100 STARTING MOTOR (MAKER PART NO 1-81100206-1)

No	Parts Number	Maker Parts No	Description	Qty	List Price	Note
1	7-23100-0070	1-81121037-0	ARMATURE ASSY	1		INCLUDING 1-1,1-2
1-1	1-0456-60037	5-81129155-0	BALL BEARING	1		FRONT
1-2	1-0456-62007	1-81129196-0	BALL BEARING	1		REAR
2	0-23200-0127	8-98155039-0	YOKE ASSY	1		INCLUDING 7-4
3	0-23310-0334	8-98155023-0	FRONT BRACKET CO	1		INCLUDING 3-1
3-1	7-23351-0144	8-98155024-0	METAL	1		FRONT
4	7-23120-0130	1-81129402-0	SHAFT ASSY	1		INCLUDING 4-1
4-1	1-0454-60057	1-81129528-0	BALL BEARING	1		CENTER
4-2	1-23181-0030	5-81129145-0	PINION STOPPER	1		
4-3	1-23914-0030	5-81129144-0	CLIP RING	2		
5	0-23500-0015	8-98155028-0	O.R.CLUTCH ASSY	1		
6	0-23600-0090	1-81113076-0	C.BRACKET ASSY	1		INCLUDING OIL SEAL
6-1	1-23611-0250	1-81113077-0	CENTER BRACKET	1		
6-2	7-23320-0040		SHIFT LEVER ASSY	1		
6-3	0-47100-3110	5-81151036-0	MAG.SWITCH ASSY	1		
7	7-23700-0134		R.BRACKET ASSY	1		INCLUDING 7-2~7-5
7-2	7-23750-0054		BRUSH HOLDER CO	1		INCLUDING 7-3~7-5
7-3	1-23913-0010	5-81117019-0	BRUSH SPRING	4		
7-4	0-24740-0036	8-98197175-0	BRUSH CO	2		(+)
7-5	0-24740-0047	8-98197176-0	BRUSH CO	2		(-)
7-6	1-23901-0080	5-81129237-0	BOLT	2		THROUGH BOLT
#2	1-23921-0130	5-81129160-0	WASHER	1		
#3	1-23921-0140	5-81129159-0	WASHER	2		FOR ADJUSTMENT
#4	1-23941-0030	5-81129158-0	INSULATE WASHER	1		
#5	1-23921-0150	5-81129156-0	WASHER	2		FOR ADJUSTMENT
※	7-09210-0770	1-81129418-0	SEAL ASSY	1		

※	7-09210-0770	SEAL ASSY	
	1-0345-05001	SEAL WASHER	1
	1-0345-08001	SEAL WASHER	2
	1-0507-10001	O RING	1
	1-09210-1020	OIL SEAL	1
	1-09211-0980	O RING	2
	1-09211-1030	O RING	1
	1-09211-1050	O RING	4
	1-09211-1060	O RING	1
	1-09211-1070	O RING	5
	1-23951-0180	PACKING	1
	1-47952-0353	GUM CAP	1



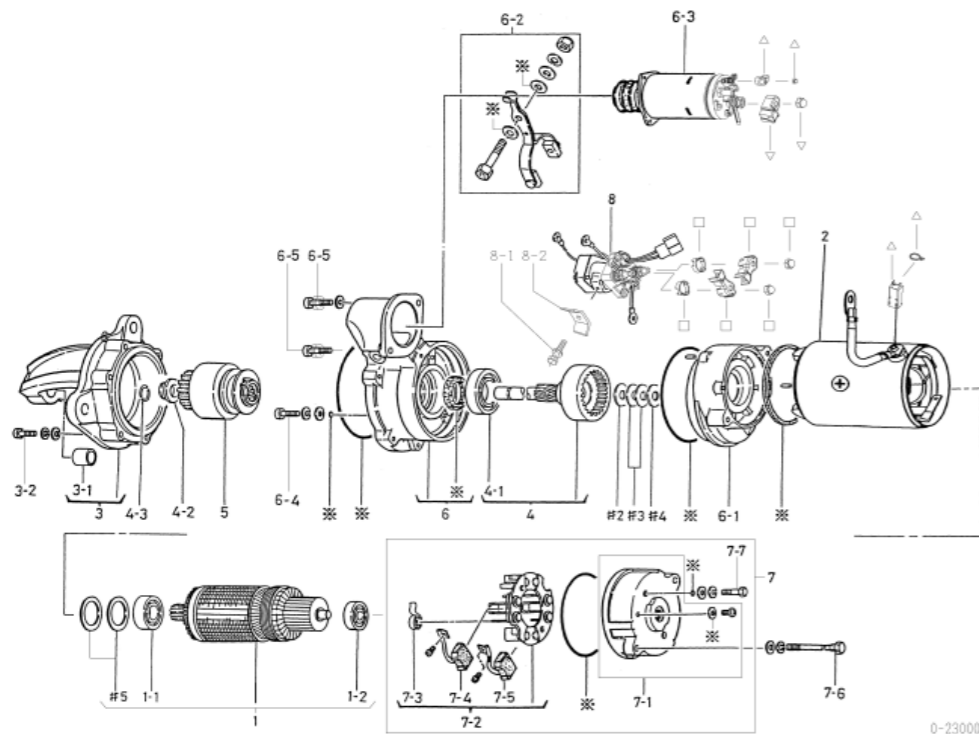
0-23000-1100

0-23000-1173 STARTING MOTOR

OEM CUSTOMER	KOMATSU	OEM PARTS NUMBER	600-813-3232
NOMINAL OUTPUT	24V 5.5Kw	SUPPLY TERM	02.07~
WEIGHT	11 kg	SWITCH	SAFETY RELAY (INSTALLED ON RIGHT)
ENGINE MODEL	6D95L		
VEHICLE	PW150-1		
OLD MODEL RECORD	0-23000-1170 → 1171 → 1172 → 1173		
DESIGN RECORD	1170 → 1171	SFR CHANGED	
	1171 → 1172	SFR CHANGED	
	1172 → 1173	JUMPSTART SPECIFICATION, SFR AND MAG.SW CHANGED	
NOTE	WATER PROOF OIL PROOF ϕ 90		

0-23000-1173 STARTING MOTOR (MAKER PART NO 600-813-3232)

No	Parts Number	Maker Parts No	Description	Qty	List Price	Note
1	7-23100-0190		ARMATURE ASSY	1		INCLUDING 1-1,1-2,#5
1-1	1-0454-60047		BALL BEARING	1		FRONT
1-2	1-0454-62007		BALL BEARING	1		REAR
2	0-23200-0235		YOKE ASSY	1		INCLUDING 7-4
3	0-23310-0524		F.BRACKET ASSY	1		INCLUDING 3-1
3-1	7-23351-0146		METAL	1		FRONT
3-2	0-0240-05505		BOLT	6		
4	7-23120-0270		SHAFT ASSY	1		INCLUDING 4-1
4-1	1-0454-60057		BALL BEARING	1		CENTER
4-2	1-23181-0030		PINION STOPPER	1		
4-3	1-23914-0030		CLIP RING	2		
5	0-23500-0264		O.R.CLUTCH ASSY	1		
6	1-23600-0160		C.BRACKET ASSY	1		INCLUDING OIL SEAL
6-1	1-23611-0430		CENTER BRACKET	1		
6-2	7-23320-0040		SHIFT LEVER ASSY	1		
6-3	7-47100-0310		MAG.SWITCH ASSY	1		
6-4	0-09001-5010		BOLT	3		
6-5	0-0275-06222		BOLT	2		
7	7-23700-0374		R.BRACKET ASSY	1		INCLUDING 7-1~7-5, 7-7
7-1	0-23700-0080		R.BRACKET ASSY	1		
7-2	7-23750-0064		BRUSH HOLDER CO	1		INCLUDING 7-3~7-5
7-3	1-23913-0010		BRUSH SPRING	4		
7-4	0-24740-0036		BRUSH CO	2		(+)
7-5	0-24740-0047		BRUSH CO	2		(-)
7-6	1-23901-0080		BOLT	2		THROUGH BOLT
7-7	0-09001-4180		BOLT	2		
8	0-25000-8112		SWITCH	1		
8-1	0-0270-06502		BOLT	1		
8-2	1-47927-0920		HOLDER	1		
#2	1-23921-0130		WASHER	1		
#3	1-23921-0140		WASHER	2		
#4	1-23941-0030		INSULATE WASHER	1		
#5	1-21921-0030		WASHER	2		
※	7-09210-2790		SEAL ASSY	1		
△	7-47761-0050		MAG.SWITCH COVER ASSY	1		
□	7-47761-0030		SWITCH COVER ASSY	1		



0-23000-1173

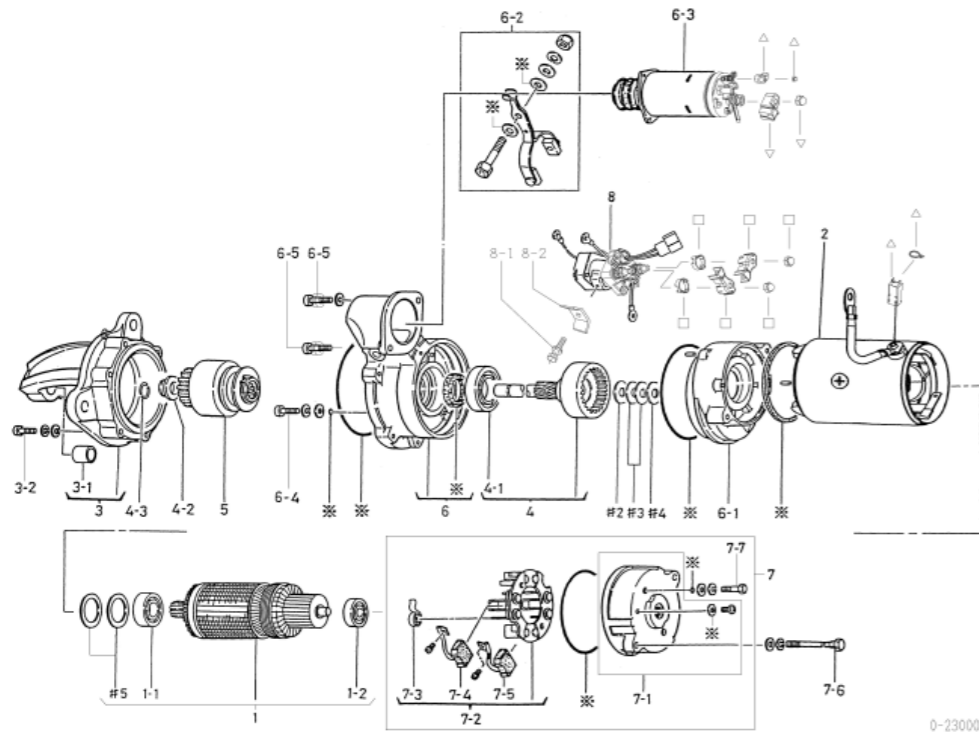
※	7-09210-2790	SEAL ASSY	
	1-0345-05001	SEAL WASHER	1
	1-0345-08001	SEAL WASHER	2
	1-23951-0180	PACKING	1
	1-09210-1020	OIL SEAL	1
	1-09211-0980	O RING	2
	1-09211-1050	O RING	2
	1-09211-1060	O RING	1
	1-09211-1070	O RING	3

0-23000-1174 STARTING MOTOR

OEM CUSTOMER	KOMATSU	OEM PARTS NUMBER	600-813-3233
NOMINAL OUTPUT	24V 5.5Kw	SUPPLY TERM	15.05~
WEIGHT	11 kg	SWITCH	SAFETY RELAY (INSTALLED ON RIGHT)
ENGINE MODEL	6D95L		
VEHICLE	PW150-1		
OLD MODEL RECORD	0-23000-1170 → 1171 → 1172 → 1173 → 1174		
DESIGN RECORD	1170 → 1171	SFR CHANGED	
	1171 → 1172	SFR CHANGED	
	1172 → 1173	JUMPSTART SPECIFICATION, SFR AND MAG.SW CHANGED	
	1173 → 1174	CAUTION PLATE CHANGED	
NOTE	WATER PROOF OIL PROOF ϕ 90		

0-23000-1174 STARTING MOTOR (MAKER PART NO 600-813-3233)

No	Parts Number	Maker Parts No	Description	Qty	List Price	Note
1	7-23100-0190		ARMATURE ASSY	1		INCLUDING 1-1,1-2,#5
1-1	1-0454-60047		BALL BEARING	1		FRONT
1-2	1-0454-62007		BALL BEARING	1		REAR
2	0-23200-0235		YOKE ASSY	1		INCLUDING 7-4
3	0-23310-0524		F.BRACKET ASSY	1		INCLUDING 3-1
3-1	7-23351-0146		METAL	1		FRONT
3-2	0-0240-05505		BOLT	6		
4	7-23120-0270		SHAFT ASSY	1		INCLUDING 4-1
4-1	1-0454-60057		BALL BEARING	1		CENTER
4-2	1-23181-0030		PINION STOPPER	1		
4-3	1-23914-0030		CLIP RING	2		
5	0-23500-0264		O.R.CLUTCH ASSY	1		
6	1-23600-0160		C.BRACKET ASSY	1		INCLUDING OIL SEAL
6-1	1-23611-0430		CENTER BRACKET	1		
6-2	7-23320-0040		SHIFT LEVER ASSY	1		
6-3	7-47100-0314		MAG.SWITCH ASSY	1		
6-4	0-09001-5010		BOLT	3		
6-5	0-0275-06222		BOLT	2		
7	7-23700-0374		R.BRACKET ASSY	1		INCLUDING 7-1~7-5, 7-7
7-1	0-23700-0080		R.BRACKET ASSY	1		
7-2	7-23750-0064		BRUSH HOLDER CO	1		INCLUDING 7-3~7-5
7-3	1-23913-0010		BRUSH SPRING	4		
7-4	0-24740-0036		BRUSH CO	2		(+)
7-5	0-24740-0047		BRUSH CO	2		(-)
7-6	1-23901-0080		BOLT	2		THROUGH BOLT
7-7	0-09001-4180		BOLT	2		
8	0-25000-8112		SWITCH	1		
8-1	0-0270-06502		BOLT	1		
8-2	1-47927-0920		HOLDER	1		
#2	1-23921-0130		WASHER	1		
#3	1-23921-0140		WASHER	2		
#4	1-23941-0030		INSULATE WASHER	1		
#5	1-21921-0030		WASHER	2		
※	7-09210-2790		SEAL ASSY	1		
△	7-47761-0050		MAG.SWITCH COVER ASSY	1		
□	7-47761-0030		SWITCH COVER ASSY	1		

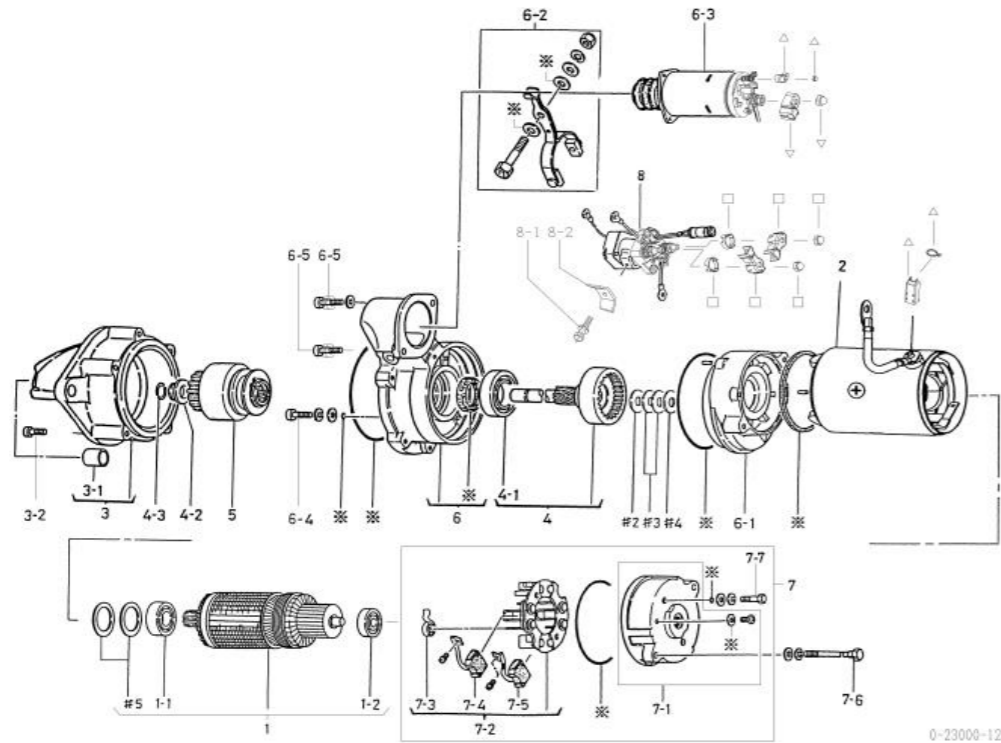


0-23000-1174

※	7-09210-2790	SEAL ASSY	
	1-0345-05001	SEAL WASHER	1
	1-0345-08001	SEAL WASHER	2
	1-23951-0180	PACKING	1
	1-09210-1020	OIL SEAL	1
	1-09211-0980	O RING	2
	1-09211-1050	O RING	2
	1-09211-1060	O RING	1
	1-09211-1070	O RING	3

0-23000-1293 STARTING MOTOR

OEM CUSTOMER	KOMATSU	OEM PARTS NUMBER	600-813-3322
NOMINAL OUTPUT	24V 5.5Kw	SUPPLY TERM	02.07~
WEIGHT	12 kg	SWITCH	SAFETY RELAY (INSTALLED ON RIGHT)
ENGINE MODEL	S6D95L, S6D95L-1CC		
VEHICLE	PC120-3		
OLD MODEL RECORD	0-23000-1290 → 1292 → 1293		
DESIGN RECORD	1290 → 1292	SFR CHANGED	
	1292 → 1293	JUMPSTART SPECIFICATION, SFR AND MAG.SW CHANGED	
NOTE	WATER PROOF OIL PROOF ϕ 90		



0-23000-1293

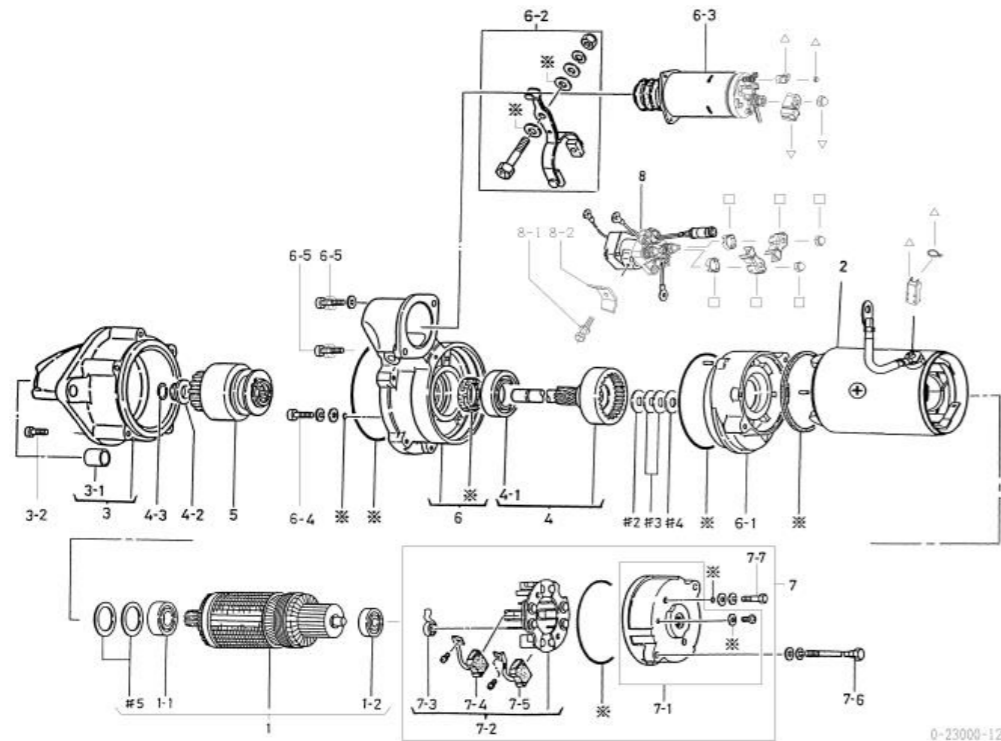
0-23000-1293 STARTING MOTOR (MAKER PART NO 600-813-3322)

No	Parts Number	Maker Parts No	Description	Qty	List Price	Note
1	7-23100-0190		ARMATURE ASSY	1		INCLUDING 1-1,1-2,#5
1-1	1-0454-60047		BALL BEARING	1		FRONT
1-2	1-0454-62007		BALL BEARING	1		REAR
2	0-23200-0235		YOKE ASSY	1		INCLUDING 7-4
3	0-23310-0684		F.BRACKET ASSY	1		INCLUDING 3-1
3-1	7-23351-0146		METAL	1		FRONT
3-2	1-0240-06605		BOLT	6		
4	7-23120-0270		SHAFT ASSY	1		INCLUDING 4-1
4-1	1-0454-60057		BALL BEARING	1		CENTER
4-2	1-23181-0030		PINION STOPPER	1		
4-3	1-23914-0030		CLIP RING	2		
5	0-23500-0395		O.R.CLUTCH ASSY	1		
6	0-23600-0220		C.BRACKET ASSY	1		INCLUDING OIL SEAL
6-1	1-23611-0430		CENTER BRACKET	1		
6-2	7-23320-0040		SHIFT LEVER ASSY	1		
6-3	7-47100-0310		MAG.SWITCH ASSY	1		
6-4	0-09001-5010		BOLT	3		
6-5	0-0275-06222		BOLT	2		
7	7-23700-0374		R.BRACKET ASSY	1		INCLUDING 7-1~7-5, 7-7
7-1	7-23700-0080		R.BRACKET ASSY	1		
7-2	7-23750-0064		BRUSH HOLDER CO	1		INCLUDING 7-3~7-5
7-3	1-23913-0010		BRUSH SPRING	4		
7-4	0-24740-0036		BRUSH CO	2		(+)
7-5	0-24740-0047		BRUSH CO	2		(-)
7-6	1-23901-0080		BOLT	2		THROUGH BOLT
7-7	0-09001-4180		BOLT	2		
8	0-25000-8860		SWITCH	1		
8-1	0-0270-06502		BOLT	1		
8-2	1-47927-0920		HOLDER	1		
#2	1-23921-0130		WASHER	1		
#3	1-23921-0140		WASHER	2		FOR ADJUSTMENT
#4	1-23941-0030		INSULATE WASHER	1		
#5	1-21921-0030		WASHER	2		
※	7-09210-2790		SEAL ASSY	1		
△	7-47761-0050		MAG.SWITCH COVER ASSY	1		
□	7-47761-0030		SWITCH COVER ASSY	1		

※	7-09210-2790	SEAL ASSY	
	1-0345-05001	SEAL WASHER	1
	1-0345-08001	SEAL WASHER	2
	1-23951-0180	PACKING	1
	1-09210-1020	OIL SEAL	1
	1-09211-0980	O RING	2
	1-09211-1050	O RING	2
	1-09211-1060	O RING	1
	1-09211-1070	O RING	3

0-23000-1295 STARTING MOTOR

OEM CUSTOMER	KOMATSU	OEM PARTS NUMBER	600-813-3323
NOMINAL OUTPUT	24V 5.5Kw	SUPPLY TERM	15.05~
WEIGHT	12 kg	SWITCH	SAFETY RELAY (INSTALLED ON RIGHT)
ENGINE MODEL	S6D95L, S6D95L-1CC		
VEHICLE	PC120-3		
OLD MODEL RECORD	0-23000-1290 → 1292 → 1293 → 1295		
DESIGN RECORD	1290 → 1292	SFR CHANGED	
	1292 → 1293	JUMPSTART SPECIFICATION, SFR AND MAG.SW CHANGED	
	1293 → 1295	CAUTION PLATE CHANGED	
NOTE	WATER PROOF OIL PROOF $\phi 90$		



0-23000-1295 STARTING MOTOR (MAKER PART NO 600-813-3323)

No	Parts Number	Maker Parts No	Description	Qty	List Price	Note
1	7-23100-0190		ARMATURE ASSY	1		INCLUDING 1-1,1-2,#5
1-1	1-0454-60047		BALL BEARING	1		FRONT
1-2	1-0454-62007		BALL BEARING	1		REAR
2	0-23200-0235		YOKE ASSY	1		INCLUDING 7-4
3	0-23310-0684		F.BRACKET ASSY	1		INCLUDING 3-1
3-1	7-23351-0146		METAL	1		FRONT
3-2	1-0240-06605		BOLT	6		
4	7-23120-0270		SHAFT ASSY	1		INCLUDING 4-1
4-1	1-0454-60057		BALL BEARING	1		CENTER
4-2	1-23181-0030		PINION STOPPER	1		
4-3	1-23914-0030		CLIP RING	2		
5	0-23500-0395		O.R.CLUTCH ASSY	1		
6	0-23600-0220		C.BRACKET ASSY	1		INCLUDING OIL SEAL
6-1	1-23611-0430		CENTER BRACKET	1		
6-2	7-23320-0040		SHIFT LEVER ASSY	1		
6-3	7-47100-0314		MAG.SWITCH ASSY	1		
6-4	0-09001-5010		BOLT	3		
6-5	0-0275-06222		BOLT	2		
7	7-23700-0374		R.BRACKET ASSY	1		INCLUDING 7-1~7-5, 7-7
7-1	7-23700-0080		R.BRACKET ASSY	1		
7-2	7-23750-0064		BRUSH HOLDER CO	1		INCLUDING 7-3~7-5
7-3	1-23913-0010		BRUSH SPRING	4		
7-4	0-24740-0036		BRUSH CO	2		(+)
7-5	0-24740-0047		BRUSH CO	2		(-)
7-6	1-23901-0080		BOLT	2		THROUGH BOLT
7-7	0-09001-4180		BOLT	2		
8	0-25000-8860		SWITCH	1		
8-1	0-0270-06502		BOLT	1		
8-2	1-47927-0920		HOLDER	1		
#2	1-23921-0130		WASHER	1		
#3	1-23921-0140		WASHER	2		FOR ADJUSTMENT
#4	1-23941-0030		INSULATE WASHER	1		
#5	1-21921-0030		WASHER	2		
※	7-09210-2790		SEAL ASSY	1		
△	7-47761-0050		MAG.SWITCH COVER ASSY	1		
□	7-47761-0030		SWITCH COVER ASSY	1		

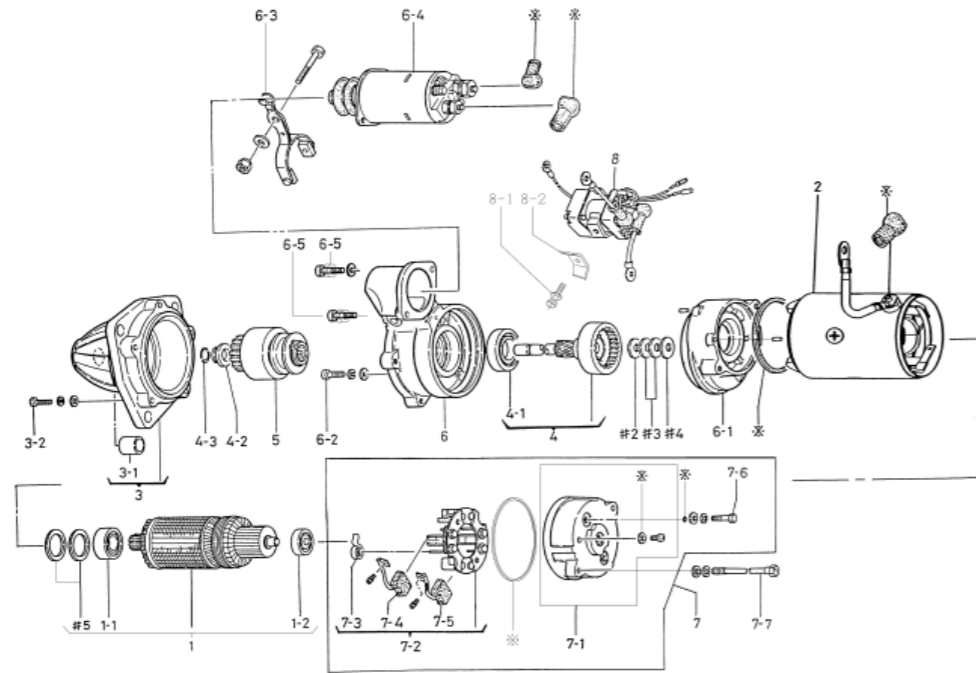
※	7-09210-2790	SEAL ASSY	
	1-0345-05001	SEAL WASHER	1
	1-0345-08001	SEAL WASHER	2
	1-23951-0180	PACKING	1
	1-09210-1020	OIL SEAL	1
	1-09211-0980	O RING	2
	1-09211-1050	O RING	2
	1-09211-1060	O RING	1
	1-09211-1070	O RING	3

0-23000-1360 STARTING MOTOR

OEM CUSTOMER	UD TRUCKS	OEM PARTS NUMBER	23300-90064
NOMINAL OUTPUT	24V 5.5Kw	SUPPLY TERM	84.06~
WEIGHT	11kg	SWITCH	SAFETY RELAY (INSTALLED ON RIGHT)
ENGINE MODEL	FD33		
VEHICLE	INDUSTRY		
OLD MODEL RECORD			
DESIGN RECORD			
NOTE	DRIP PROOF φ90		

0-23000-1360 STARTING MOTOR (MAKER PART NO 23300-90064)

No	Parts Number	Maker Parts No	Description	Qty	List Price	Note
1	7-23100-0190	23310-99211	ARMATURE ASSY	1		INCLUDING 1-1,1-2,#5
1-1	1-0454-60047	23383-99203	BALL BEARING	1		FRONT
1-2	1-0454-62007	23383-99207	BALL BEARING	1		REAR
2	0-23200-0234		YOKE ASSY	1		INCLUDING 7-4
3	0-23310-0724		FRONT BRACKET CO	1		INCLUDING 3-1
3-1	7-23351-0146		METAL	1		FRONT
3-2	1-0240-06355	23323-99103	BOLT	5		
4	7-23120-0130		SHAFT ASSY	1		INCLUDING 4-1
4-1	1-0454-60057	23383-99202	BALL BEARING	1		CENTER
4-2	1-23181-0030	23369-99100	PINION STOPPER	1		
4-3	1-23914-0030	23370-99002	CLIP RING	2		
5	0-23500-0015		O.R.CLUTCH ASSY	1		
6	0-23611-0590	23317-99011	CENTER BRACKET	1		
6-1	1-23611-0430	23317-99012	CENTER BRACKET	1		
6-2	0-09001-5010		BOLT	3		
6-3	1-23320-0170	23322-99108	SHIFT LEVER ASSY	1		
6-4	0-47100-3510	23343-99207	MAG.SWITCH ASSY	1		
6-5	0-0275-06222	23323-99102	BOLT	2		
7	7-23700-0374		R.BRACKET ASSY	1		INCLUDING 7-1~7-6
7-1	0-23700-0080	23337-99214	R.BRACKET ASSY	1		
7-2	7-23750-0064		BRUSH HOLDER CO	1		INCLUDING 7-3~7-5
7-3	1-23913-0010	23333-99015	BRUSH SPRING	4		
7-4	0-24740-0036		BRUSH CO	2		(+)
7-5	0-24740-0047		BRUSH CO	2		(-)
7-6	0-09001-4180	23323-99105	BOLT	2		
7-7	1-23901-0080	23323-99106	BOLT	2		THROUGH BOLT
8	0-25000-7010	23343-99208	SWITCH	1		
8-1	0-0270-06502	23323-99110	BOLT	1		
8-2	1-47927-0920	23330-99117	HOLDER	1		
#2	1-23921-0130	23320-99009	WASHER	1		
#3	1-23921-0140	23320-99010	WASHER	2		FOR ADJUSTMENT
#4	1-23941-0030	23320-99011	INSULATE WASHER	1		
#5	1-21921-0030	23320-99013	WASHER	2		
※	7-09210-1250	23344-99200	SEAL ASSY	1		

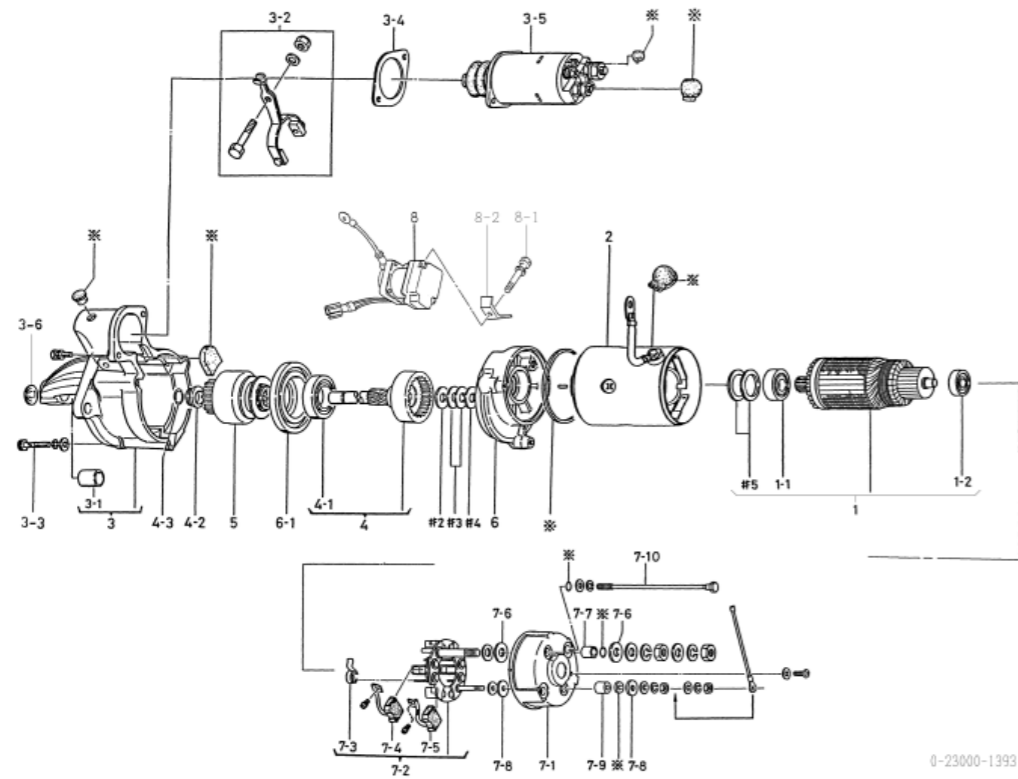


0-23000-1360

※	7-09210-1250	SEAL ASSY	
	1-0345-05001	SEAL WASHER	1
	1-09211-0930	O RING	1
	1-09211-1050	O RING	2
	1-09211-1060	O RING	1
	1-09252-0420	GUM CAP	1
	1-09252-0430	GUM CAP	2
	1-23951-0180	PACKING	1

0-23000-1393 STARTING MOTOR

OEM CUSTOMER	ISUZU	OEM PARTS NUMBER	1-81100289-1
NOMINAL OUTPUT	24V 4.5Kw	SUPPLY TERM	01.06~
WEIGHT	9.6kg	SWITCH	SAFETY RELAY (INSTALLED ON LEFT)
ENGINE MODEL	6BG1MTC		
VEHICLE	MARINE		
OLD MODEL RECORD	0-23000-1390 → 1391 → 1392 → 1393		
DESIGN RECORD	1390 → 1391	MAG. SW SHANGED	
	1391 → 1392	SFR CHANGED	
	1392 → 1393	SFR CHANGED	
NOTE	DRIP PROOF φ90 2-WIRE MARINE SPECIFICATION		



0-23000-1393

0-23000-1393 STARTING MOTOR (MAKER PART NO 1-81100289-1)

No	Parts Number	Maker Parts No	Description	Qty	List Price	Note
1	7-23100-0230		ARMATURE ASSY	1		INCLUDING 1-1,1-2,#5
1-1	1-0454-60037	1-81129531-0	BALL BEARING	1		FRONT
1-2	1-0454-62007	1-81129532-0	BALL BEARING	1		REAR
2	0-23200-0525		YOKE ASSY	1		INCLUDING 7-4
3	0-23310-0824	8-98155020-0	FRONT BRACKET CO	1		INCLUDING 3-1
3-1	7-23351-0144	8-98155024-0	METAL	1		FRONT
3-2	1-23320-0130	1-81127031-0	SHIFT LEVER CO	1		
3-3	1-0240-06805	1-81129387-0	BOLT	3		
3-4	1-23922-0040	5-81129147-0	PLATE	1		
3-5	0-47100-4200	1-81171068-0	MAG.SWITCH ASSY	1		
3-6	1-0530-22002	5-81129142-0	DISH PLUG	1		
4	7-23120-0110	1-81123024-0	SHAFT ASSY	1		INCLUDING 4-1
4-1	1-0456-60057	5-81129161-0	BALL BEARING	1		CENTER
4-2	1-23181-0030	5-81129145-0	PINION STOPPER	1		
4-3	1-23914-0030	5-81129144-0	CLIP RING	2		
5	0-23500-0015	8-98155028-0	O.R.CLUTCH ASSY	1		
6	1-23611-0221	1-81113074-0	CENTER BRACKET	1		
6-1	1-23611-0210	1-81114030-0	CENTER BRACKET	1		
7-1	0-23711-0201	1-81115197-0	REAR BRACKET	1		INCLUDING 7-3~7-5
7-2	7-23750-0114		BRUSH HOLDER CO	1		
7-3	1-23913-0020	1-81117015-0	BRUSH SPRING	4		
7-4	0-24740-0036	8-98197175-0	BRUSH CO	2		(+)
7-5	0-24740-0047	8-98197176-0	BRUSH CO	2		(-)
7-6	1-21941-0540	1-81129548-0	INSULATE WASHER	2		
7-7	0-23944-0060	1-81129551-0	INSULATE TUBE	1		
7-8	1-23941-0010	1-81129245-0	INSULATE WASHER	2		
7-9	1-23944-0050	1-81129552-0	INSULATE TUBE	1		
7-10	0-23901-0130	1-81129549-0	BOLT	2		THROUGH BOLT
8	0-25000-7602	1-82553056-1	SWITCH	1		
8-1	0-0270-06502	1-81129401-0	BOLT	1		
8-2	1-47927-0921		HOLDER	1		
#2	1-23921-0130	5-81129160-0	WASHER	1		
#3	1-23921-0140	5-81129159-0	WASHER	2		FOR ADJUSTMENT
#4	1-23941-0030	5-81129158-0	INSULATE WASHER	1		
#5	1-23921-0150	5-81129156-0	WASHER	2		FOR ADJUSTMENT
※	7-09210-2100	1-81129644-0	SEAL ASSY	1		

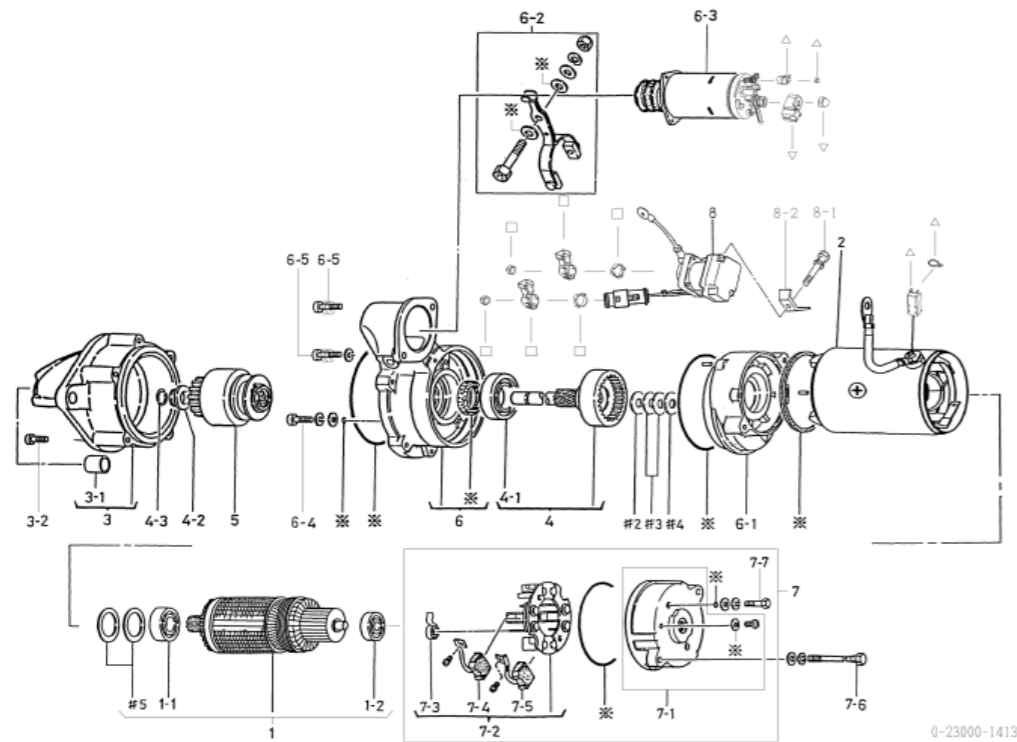
※	7-09210-2100	SEAL ASSY	
	1-0345-05001	SEAL WASHER	2
	1-0505-01201	O RING	1
	1-09211-1030	O RING	1
	1-09211-1060	O RING	1
	1-09211-1070	O RING	2
	1-09252-0420	GUM CAP	1
	1-09252-0430	GUM CAP	2
	1-21951-1910	PACKING	1
	1-23951-0120	PACKING	1
	1-23951-0180	PACKING	1
	1-47952-0353	GUM CAP	1
	1-47953-0081	GUM BUSH	1
	1-09252-0391	GUM CAP	1

0-23000-1413 STARTING MOTOR

OEM CUSTOMER	KOMATSU	OEM PARTS NUMBER	600-813-3352
NOMINAL OUTPUT	24V 5.5Kw	SUPPLY TERM	02.07~
WEIGHT	12kg	SWITCH	SAFETY RELAY (INSTALLED ON RIGHT)
ENGINE MODEL	6D95L		
VEHICLE	D31-18, D37-2		
OLD MODEL RECORD	0-23000-1410 → 1412 → 1413		
DESIGN RECORD	1410 → 1412	SFR CHANGED	
	1412 → 1413	JUMPSTART SPECIFICATION, SFR AND MAG.SW CHANGED	
NOTE	WATER PROOF OIL PROOF $\phi 90$		

0-23000-1413 STARTING MOTOR (MAKER PART NO 600-813-3352)

No	Parts Number	Maker Parts No	Description	Qty	List Price	Note
1	7-23100-0190		ARMATURE ASSY	1		INCLUDING 1-1,1-2,#5
1-1	1-0454-60047		BALL BEARING	1		FRONT
1-2	1-0454-62007		BALL BEARING	1		REAR
2	0-23200-0235		YOKE ASSY	1		INCLUDING 7-4
3	0-23310-0684		FRONT BRACKET CO	1		INCLUDING 3-1
3-1	7-23351-0146		METAL	1		FRONT
3-2	1-0240-06605		BOLT	6		
4	7-23120-0270		SHAFT ASSY	1		INCLUDING 4-1
4-1	1-0454-60057		BALL BEARING	1		CENTER
4-2	1-23181-0030		PINION STOPPER	1		
4-3	1-23914-0030		CLIP RING	2		
5	0-23500-0395		O.R.CLUTCH ASSY	1		
6	0-23600-0220		C.BRACKET ASSY	1		INCLUDING OIL SEAL
6-1	1-23611-0430		CENTER BRACKET	1		
6-2	7-23320-0040		SHIFT LEVER ASSY	1		
6-3	7-47100-0310		MAG.SWITCH ASSY	1		
6-4	0-09001-5010		BOLT	3		
6-5	0-0275-06222		BOLT	2		
7	7-23700-0374		R.BRACKET ASSY	1		INCLUDING 7-1~7-5, 7-7
7-1	0-23700-0080		R.BRACKET ASSY	1		
7-2	7-23750-0064		BRUSH HOLDER CO	1		INCLUDING 7-3~7-5
7-3	1-23913-0010		BRUSH SPRING	4		
7-4	0-24740-0036		BRUSH CO	2		(+)
7-5	024740-0047		BRUSH CO	2		(-)
7-6	1-23901-0080		BOLT	2		THROUGH BOLT
7-7	0-09001-4180		BOLT	2		
8	0-25000-8391		SWITCH	1		
8-1	0-0270-06502		BOLT	1		
8-2	1-47927-0920		HOLDER	1		
#2	1-23921-0130		WASHER	1		
#3	1-23921-0140		WASHER	2		FOR ADJUSTMENT
#4	1-23941-0030		INSULATE WASHER	1		
#5	1-21921-0030		WASHER	2		
※	7-09210-2790		SEAL ASSY	1		
△	7-47761-0050		MAG.SWITCH COVER ASSY	1		
□	7-47761-0030		SWITCH COVER ASSY	1		



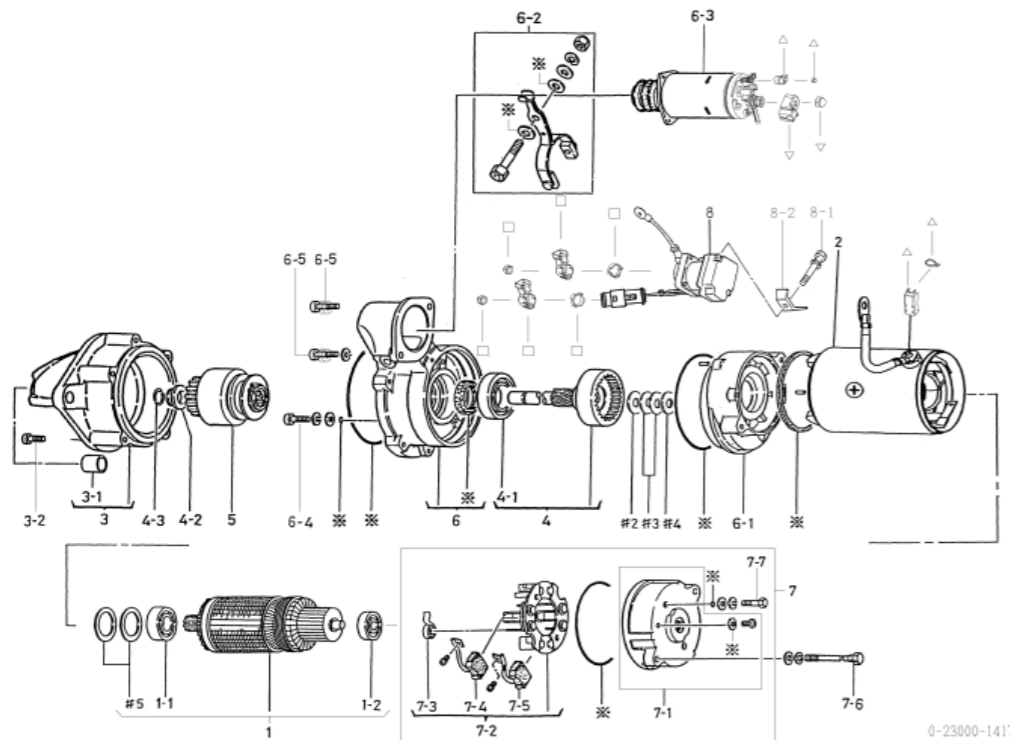
※	7-09210-2790	SEAL ASSY	
	1-0345-05001	SEAL WASHER	1
	1-0345-08001	SEAL WASHER	2
	1-23951-0180	PACKING	1
	1-09210-1020	OIL SEAL	1
	1-09211-0980	O RING	2
	1-09211-1050	O RING	2
	1-09211-1060	O RING	1
	1-09211-1070	O RING	3

0-23000-1417 STARTING MOTOR

OEM CUSTOMER	KOMATSU	OEM PARTS NUMBER	600-813-3353
NOMINAL OUTPUT	24V 5.5Kw	SUPPLY TERM	15.05~
WEIGHT	12kg	SWITCH	SAFETY RELAY (INSTALLED ON RIGHT)
ENGINE MODEL	6D95L		
VEHICLE	D31-18, D37-2		
OLD MODEL RECORD	0-23000-1410 → 1412 → 1413 → 1417		
DESIGN RECORD	1410 → 1412	SFR CHANGED	
	1412 → 1413	JUMPSTART SPECIFICATION, SFR AND MAG.SW CHANGED	
	1413 → 1417	CAUTION PLATE CHANGED	
NOTE	WATER PROOF OIL PROOF ϕ 90		

0-23000-1417 STARTING MOTOR (MAKER PART NO 600-813-3353)

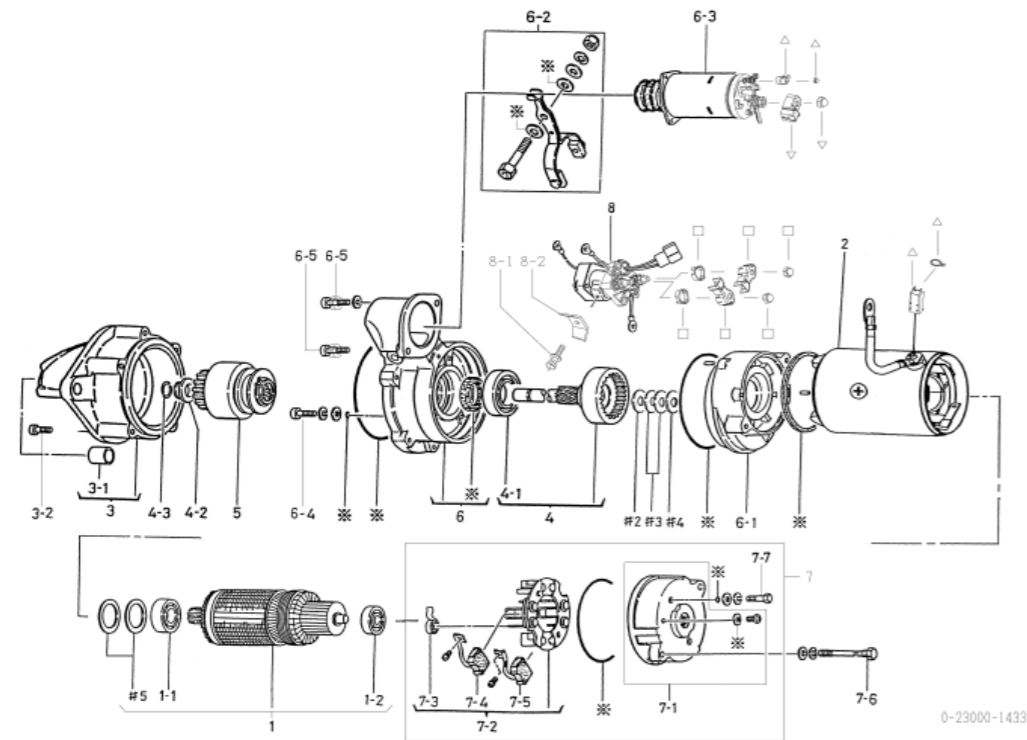
No	Parts Number	Maker Parts No	Description	Qty	List Price	Note
1	7-23100-0190		ARMATURE ASSY	1		INCLUDING 1-1,1-2,#5
1-1	1-0454-60047		BALL BEARING	1		FRONT
1-2	1-0454-62007		BALL BEARING	1		REAR
2	0-23200-0235		YOKE ASSY	1		INCLUDING 7-4
3	0-23310-0684		FRONT BRACKET CO	1		INCLUDING 3-1
3-1	7-23351-0146		METAL	1		FRONT
3-2	1-0240-06605		BOLT	6		
4	7-23120-0270		SHAFT ASSY	1		INCLUDING 4-1
4-1	1-0454-60057		BALL BEARING	1		CENTER
4-2	1-23181-0030		PINION STOPPER	1		
4-3	1-23914-0030		CLIP RING	2		
5	0-23500-0395		O.R.CLUTCH ASSY	1		
6	0-23600-0220		C.BRACKET ASSY	1		INCLUDING OIL SEAL
6-1	1-23611-0430		CENTER BRACKET	1		
6-2	7-23320-0040		SHIFT LEVER ASSY	1		
6-3	7-47100-0314		MAG.SWITCH ASSY	1		
6-4	0-09001-5010		BOLT	3		
6-5	0-0275-06222		BOLT	2		
7	7-23700-0374		R.BRACKET ASSY	1		INCLUDING 7-1~7-5, 7-7
7-1	0-23700-0080		R.BRACKET ASSY	1		
7-2	7-23750-0064		BRUSH HOLDER CO	1		INCLUDING 7-3~7-5
7-3	1-23913-0010		BRUSH SPRING	4		
7-4	0-24740-0036		BRUSH CO	2		(+)
7-5	024740-0047		BRUSH CO	2		(-)
7-6	1-23901-0080		BOLT	2		THROUGH BOLT
7-7	0-09001-4180		BOLT	2		
8	0-25000-8391		SWITCH	1		
8-1	0-0270-06502		BOLT	1		
8-2	1-47927-0920		HOLDER	1		
#2	1-23921-0130		WASHER	1		
#3	1-23921-0140		WASHER	2		FOR ADJUSTMENT
#4	1-23941-0030		INSULATE WASHER	1		
#5	1-21921-0030		WASHER	2		
※	7-09210-2790		SEAL ASSY	1		
△	7-47761-0050		MAG.SWITCH COVER ASSY	1		
□	7-47761-0030		SWITCH COVER ASSY	1		



※	7-09210-2790	SEAL ASSY	
	1-0345-05001	SEAL WASHER	1
	1-0345-08001	SEAL WASHER	2
	1-23951-0180	PACKING	1
	1-09210-1020	OIL SEAL	1
	1-09211-0980	O RING	2
	1-09211-1050	O RING	2
	1-09211-1060	O RING	1
	1-09211-1070	O RING	3

0-23000-1433 STARTING MOTOR

OEM CUSTOMER	KOMATSU	OEM PARTS NUMBER	600-813-3362
NOMINAL OUTPUT	24V 5.5Kw	SUPPLY TERM	02.09~
WEIGHT	12kg	SWITCH	SAFETY RELAY (INSTALLED ON RIGHT)
ENGINE MODEL	S6D95L		
VEHICLE	MST1100		
OLD MODEL RECORD	0-23000-1430 → 1431 → 1432 → 1433		
DESIGN RECORD	1430 → 1431	SFR CHANGED	
	1431 → 1432	SFR CHANGED	
	1432 → 1433	JUMPSTART SPECIFICATION, SFR AND MAG.SW CHANGED	
NOTE	WATER PROOF OIL PROOF ϕ 90		



0-23000-1433

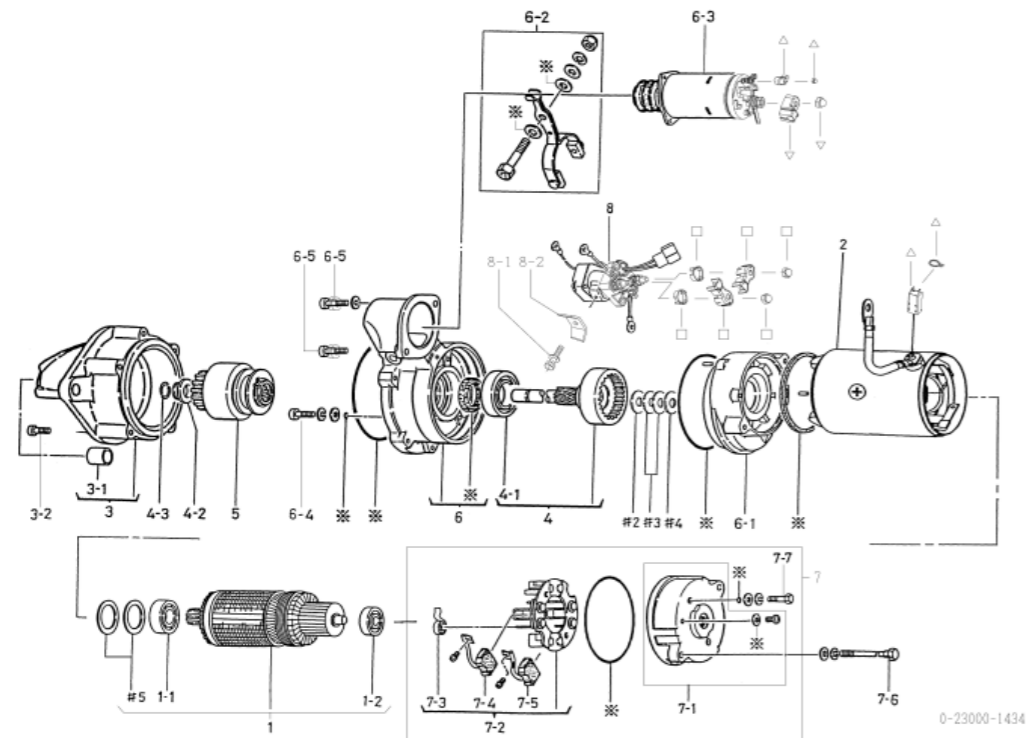
0-23000-1433 STARTING MOTOR (MAKER PART NO 600-813-3362)

No	Parts Number	Maker Parts No	Description	Qty	List Price	Note
1	7-23100-0190		ARMATURE ASSY	1		INCLUDING 1-1,1-2,#5
1-1	1-0454-60047		BALL BEARING	1		FRONT
1-2	1-0454-62007		BALL BEARING	1		REAR
2	0-23200-0235		YOKE ASSY	1		INCLUDING 7-4
3	0-23310-0684		FRONT BRACKET CO	1		INCLUDING 3-1
3-1	7-23351-0146		METAL	1		FRONT
3-2	1-0240-06605		BOLT	6		
4	7-23120-0270		SHAFT ASSY	1		INCLUDING 4-1
4-1	1-0454-60057		BALL BEARING	1		CENTER
4-2	1-23181-0030		PINION STOPPER	1		
4-3	1-23914-0030		CLIP RING	2		
5	0-23500-0395		O.R.CLUTCH ASSY	1		
6	0-23600-0220		CENTER BRACKET ASSY	1		INCLUDING OIL SEAL
6-1	1-23611-0430		CENTER BRACKET	1		
6-2	7-23320-0040		SHIFT LEVER ASSY	1		
6-3	7-47100-0310		MAG.SWITCH ASSY	1		
6-4	0-09001-5010		BOLT	3		
6-5	0-0275-06222		BOLT	2		
7	7-23700-0374		R.BRACKET ASSY	1		INCLUDING 7-1~7-5, 7-7
7-1	0-23700-0080		R.BRACKET ASSY	1		
7-2	7-23750-0064		BRUSH HOLDER CO	1		INCLUDING 7-3~7-5
7-3	1-23913-0010		BRUSH SPRING	4		
7-4	0-24740-0036		BRUSH CO	2		(+)
7-5	0-24740-0047		BRUSH CO	2		(-)
7-6	1-23901-0080		BOLT	2		THROUGH BOLT
7-7	0-09001-4180		BOLT	2		
8	0-25000-8112		SWITCH	1		
8-1	0-0270-06502		BOLT	1		
8-2	1-47927-0920		HOLDER	1		
#2	1-23921-0130		WASHER	1		
#3	1-23921-0140		WASHER	2		
#4	1-23941-0030		INSULATE WASHER	1		
#5	1-21921-0030		WASHER	2		
※	7-09210-2790		SEAL ASSY	1		
△	7-47761-0050		MAG.SWITCH COVER ASSY	1		
□	7-47761-0030		SWITCH COVER ASSY	1		

※	7-09210-2790	SEAL ASSY	
	1-0345-05001	SEAL WASHER	1
	1-0345-08001	SEAL WASHER	2
	1-23951-0180	PACKING	1
	1-09210-1020	OIL SEAL	1
	1-09211-0980	O RING	2
	1-09211-1050	O RING	2
	1-09211-1060	O RING	1
	1-09211-1070	O RING	3

0-23000-1434 STARTING MOTOR

OEM CUSTOMER	KOMATSU	OEM PARTS NUMBER	600-813-3363
NOMINAL OUTPUT	24V 5.5Kw	SUPPLY TERM	15.05~
WEIGHT	12kg	SWITCH	SAFETY RELAY (INSTALLED ON RIGHT)
ENGINE MODEL	S6D95L		
VEHICLE	MST1100		
OLD MODEL RECORD	0-23000-1430 → 1431 → 1432 → 1433 → 1434		
DESIGN RECORD	1430 → 1431	SFR CHANGED	
	1431 → 1432	SFR CHANGED	
	1432 → 1433	JUMPSTART SPECIFICATION, SFR AND MAG.SW CHANGED	
	1433 → 1434	CAUTION PLATE CHANGED	
NOTE	WATER PROOF OIL PROOF ϕ 90		



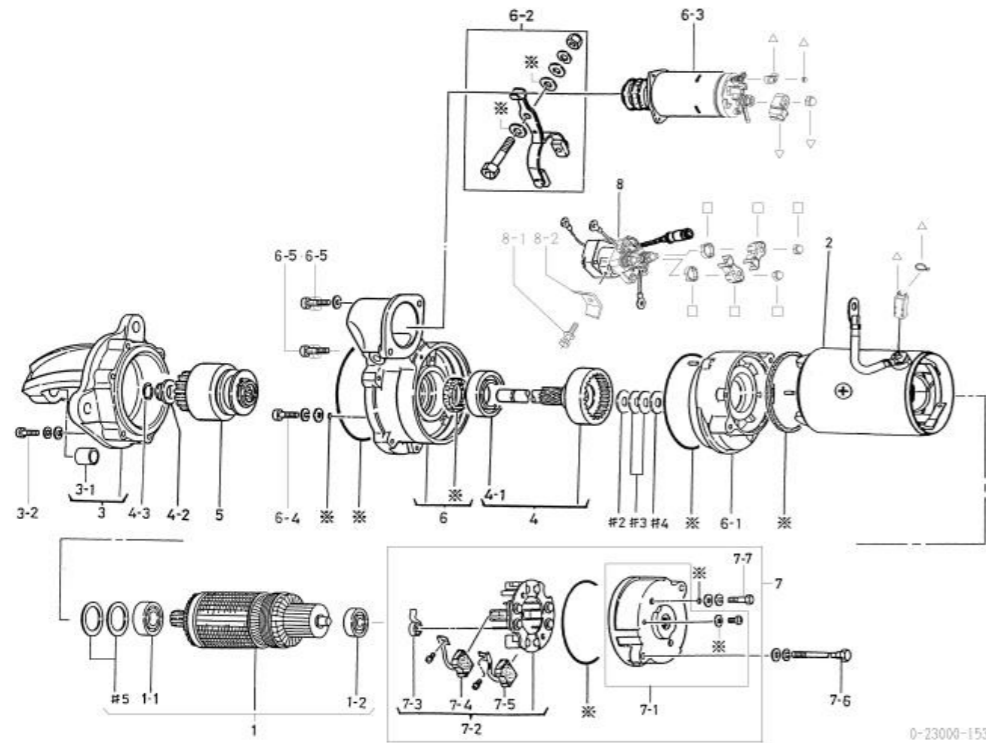
0-23000-1437 STARTING MOTOR (MAKER PART NO 600-813-3363)

No	Parts Number	Maker Parts No	Description	Qty	List Price	Note
1	7-23100-0190		ARMATURE ASSY	1		INCLUDING 1-1,1-2,#5
1-1	1-0454-60047		BALL BEARING	1		FRONT
1-2	1-0454-62007		BALL BEARING	1		REAR
2	0-23200-0235		YOKE ASSY	1		INCLUDING 7-4
3	0-23310-0684		FRONT BRACKET CO	1		INCLUDING 3-1
3-1	7-23351-0146		METAL	1		FRONT
3-2	1-0240-06605		BOLT	6		
4	7-23120-0270		SHAFT ASSY	1		INCLUDING 4-1
4-1	1-0454-60057		BALL BEARING	1		CENTER
4-2	1-23181-0030		PINION STOPPER	1		
4-3	1-23914-0030		CLIP RING	2		
5	0-23500-0395		O.R.CLUTCH ASSY	1		
6	0-23600-0220		CENTER BRACKET ASSY	1		INCLUDING OIL SEAL
6-1	1-23611-0430		CENTER BRACKET	1		
6-2	7-23320-0040		SHIFT LEVER ASSY	1		
6-3	7-47100-0314		MAG.SWITCH ASSY	1		
6-4	0-09001-5010		BOLT	3		
6-5	0-0275-06222		BOLT	2		
7	7-23700-0374		R.BRACKET ASSY	1		INCLUDING 7-1~7-5, 7-7
7-1	0-23700-0080		R.BRACKET ASSY	1		
7-2	7-23750-0064		BRUSH HOLDER CO	1		INCLUDING 7-3~7-5
7-3	1-23913-0010		BRUSH SPRING	4		
7-4	0-24740-0036		BRUSH CO	2		(+)
7-5	0-24740-0047		BRUSH CO	2		(-)
7-6	1-23901-0080		BOLT	2		THROUGH BOLT
7-7	0-09001-4180		BOLT	2		
8	0-25000-8112		SWITCH	1		
8-1	0-0270-06502		BOLT	1		
8-2	1-47927-0920		HOLDER	1		
#2	1-23921-0130		WASHER	1		
#3	1-23921-0140		WASHER	2		
#4	1-23941-0030		INSULATE WASHER	1		
#5	1-21921-0030		WASHER	2		
※	7-09210-2790		SEAL ASSY	1		
△	7-47761-0050		MAG.SWITCH COVER ASSY	1		
□	7-47761-0030		SWITCH COVER ASSY	1		

※	7-09210-2790	SEAL ASSY	
	1-0345-05001	SEAL WASHER	1
	1-0345-08001	SEAL WASHER	2
	1-23951-0180	PACKING	1
	1-09210-1020	OIL SEAL	1
	1-09211-0980	O RING	2
	1-09211-1050	O RING	2
	1-09211-1060	O RING	1
	1-09211-1070	O RING	3

0-23000-1533 STARTING MOTOR

OEM CUSTOMER	KOMATSU	OEM PARTS NUMBER	600-813-3462
NOMINAL OUTPUT	24V 5.5Kw	SUPPLY TERM	02.07~
WEIGHT	11kg	SWITCH	SAFETY RELAY (INSTALLED ON RIGHT)
ENGINE MODEL	6D95L		
VEHICLE	WA100-1		
OLD MODEL RECORD	0-23000-1530 → 1532 → 1533		
DESIGN RECORD	1530→1532	SFR CHANGED	
	1532→1533	JUMPSTART SPECIFICATION, SFR AND MAG.SW CHANGED	
NOTE	WATER PROOF OIL PROOF φ90		



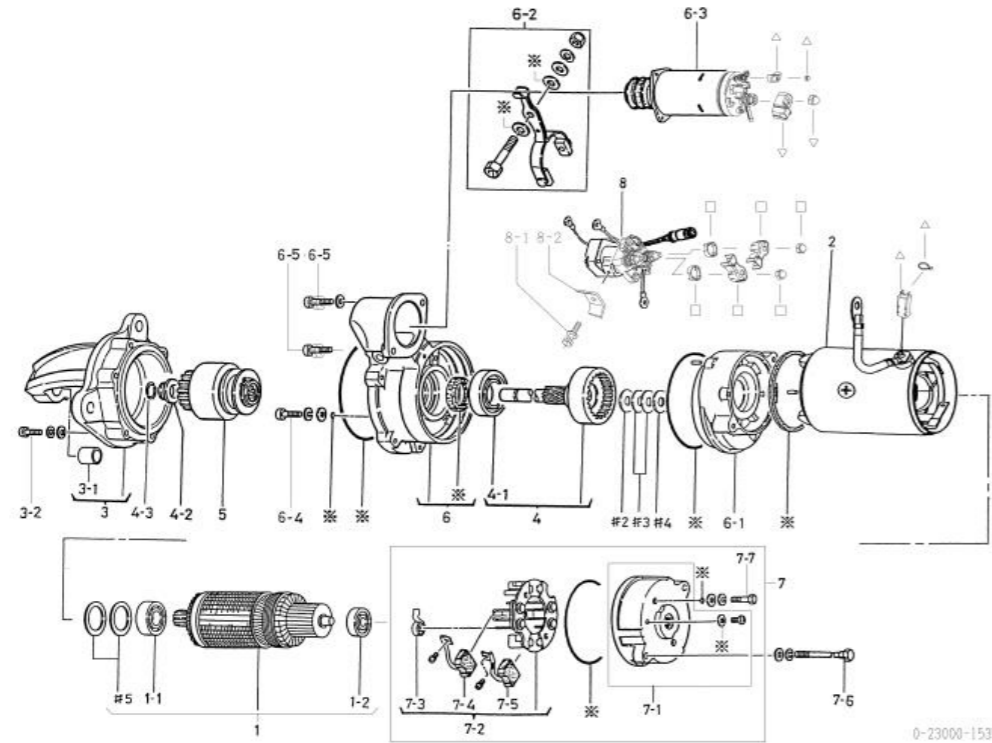
0-23000-1533 STARTING MOTOR (MAKER PART NO 600-813-3462)

No	Parts Number	Maker Parts No	Description	Qty	List Price	Note
1	7-23100-0190		ARMATURE ASSY	1		INCLUDING 1-1,1-2,#5
1-1	1-0454-60047		BALL BEARING	1		FRONT
1-2	1-0454-62007		BALL BEARING	1		REAR
2	0-23200-0235		YOKE ASSY	1		INCLUDING 7-4
3	0-23310-0524		FRONT BRACKET CO	1		INCLUDING 3-1
3-1	7-23351-0146		METAL	1		FRONT
3-2	0-0240-05505		BOLT	6		
4	7-23120-0270		SHAFT ASSY	1		INCLUDING 4-1
4-1	1-0454-60057		BALL BEARING	1		CENTER
4-2	1-23181-0030		PINION STOPPER	1		
4-3	1-23914-0030		CLIP RING	2		
5	0-23500-0264		O.R.CLUTCH ASSY	1		
6	0-23600-0160		CENTER BRACKET ASSY	1		INCLUDING OIL SEAL
6-1	1-23611-0430		CENTER BRACKET	1		
6-2	7-23320-0040		SHIFT LEVER ASSY	1		
6-3	7-47100-0310		MAG.SWITCH ASSY	1		
6-4	0-09001-5010		BOLT	3		
6-5	0-0275-06222		BOLT	2		
7	7-23700-0374		R.BRACKET ASSY	1		INCLUDING 7-1~7-5, 7-7
7-1	0-23700-0080		R.BRACKET ASSY	1		
7-2	7-23750-0064		BRUSH HOLDER CO	1		INCLUDING 7-3~7-5
7-3	1-23913-0010		BRUSH SPRING	4		
7-4	0-24740-0036		BRUSH CO	2		(+)
7-5	0-24740-0047		BRUSH CO	2		(-)
7-6	1-23901-0080		BOLT	2		THROUGH BOLT
7-7	0-09001-4180		BOLT	2		
8	0-25000-6903		SWITCH	1		
8-1	0-0270-06502		BOLT	1		
8-2	1-47927-0920		HOLDER	1		
#2	1-23921-0130		WASHER	1		
#3	1-23921-0140		WASHER	2		
#4	1-23941-0030		INSULATE WASHER	1		
#5	1-21921-0030		WASHER	2		
※	7-09210-2790		SEAL ASSY	1		
△	7-47761-0050		MAG.SWITCH COVER ASSY	1		
□	7-47761-0030		SWITCH COVER ASSY	1		

※	7-09210-2790	SEAL ASSY	
	1-0345-05001	SEAL WASHER	1
	1-0345-08001	SEAL WASHER	2
	1-23951-0180	PACKING	1
	1-09210-1020	OIL SEAL	1
	1-09211-0980	O RING	2
	1-09211-1050	O RING	2
	1-09211-1060	O RING	1
	1-09211-1070	O RING	3

0-23000-1535 STARTING MOTOR

OEM CUSTOMER	KOMATSU	OEM PARTS NUMBER	600-813-3463
NOMINAL OUTPUT	24V 5.5Kw	SUPPLY TERM	02.07~
WEIGHT	11kg	SWITCH	SAFETY RELAY (INSTALLED ON RIGHT)
ENGINE MODEL	6D95L		
VEHICLE	WA100-1		
OLD MODEL RECORD	0-23000-1530 → 1532 → 1533 → 1535		
DESIGN RECORD	1530→1532	SFR CHANGED	
	1532→1533	JUMPSTART SPECIFICATION, SFR AND MAG.SW CHANGED	
	1533→1535	CAUTION PLATE CHANGED	
NOTE	WATER PROOF OIL PROOF φ90		



0-23000-1535 STARTING MOTOR (MAKER PART NO 600-813-3463)

No	Parts Number	Maker Parts No	Description	Qty	List Price	Note
1	7-23100-0190		ARMATURE ASSY	1		INCLUDING 1-1,1-2,#5
1-1	1-0454-60047		BALL BEARING	1		FRONT
1-2	1-0454-62007		BALL BEARING	1		REAR
2	0-23200-0235		YOKE ASSY	1		INCLUDING 7-4
3	0-23310-0524		FRONT BRACKET CO	1		INCLUDING 3-1
3-1	7-23351-0146		METAL	1		FRONT
3-2	0-0240-05505		BOLT	6		
4	7-23120-0270		SHAFT ASSY	1		INCLUDING 4-1
4-1	1-0454-60057		BALL BEARING	1		CENTER
4-2	1-23181-0030		PINION STOPPER	1		
4-3	1-23914-0030		CLIP RING	2		
5	0-23500-0264		O.R.CLUTCH ASSY	1		
6	0-23600-0160		CENTER BRACKET ASSY	1		INCLUDING OIL SEAL
6-1	1-23611-0430		CENTER BRACKET	1		
6-2	7-23320-0040		SHIFT LEVER ASSY	1		
6-3	7-47100-0314		MAG.SWITCH ASSY	1		
6-4	0-09001-5010		BOLT	3		
6-5	0-0275-06222		BOLT	2		
7	7-23700-0374		R.BRACKET ASSY	1		INCLUDING 7-1~7-5, 7-7
7-1	0-23700-0080		R.BRACKET ASSY	1		
7-2	7-23750-0064		BRUSH HOLDER CO	1		INCLUDING 7-3~7-5
7-3	1-23913-0010		BRUSH SPRING	4		
7-4	0-24740-0036		BRUSH CO	2		(+)
7-5	0-24740-0047		BRUSH CO	2		(-)
7-6	1-23901-0080		BOLT	2		THROUGH BOLT
7-7	0-09001-4180		BOLT	2		
8	0-25000-6903		SWITCH	1		
8-1	0-0270-06502		BOLT	1		
8-2	1-47927-0920		HOLDER	1		
#2	1-23921-0130		WASHER	1		
#3	1-23921-0140		WASHER	2		
#4	1-23941-0030		INSULATE WASHER	1		
#5	1-21921-0030		WASHER	2		
※	7-09210-2790		SEAL ASSY	1		
△	7-47761-0050		MAG.SWITCH COVER ASSY	1		
□	7-47761-0030		SWITCH COVER ASSY	1		

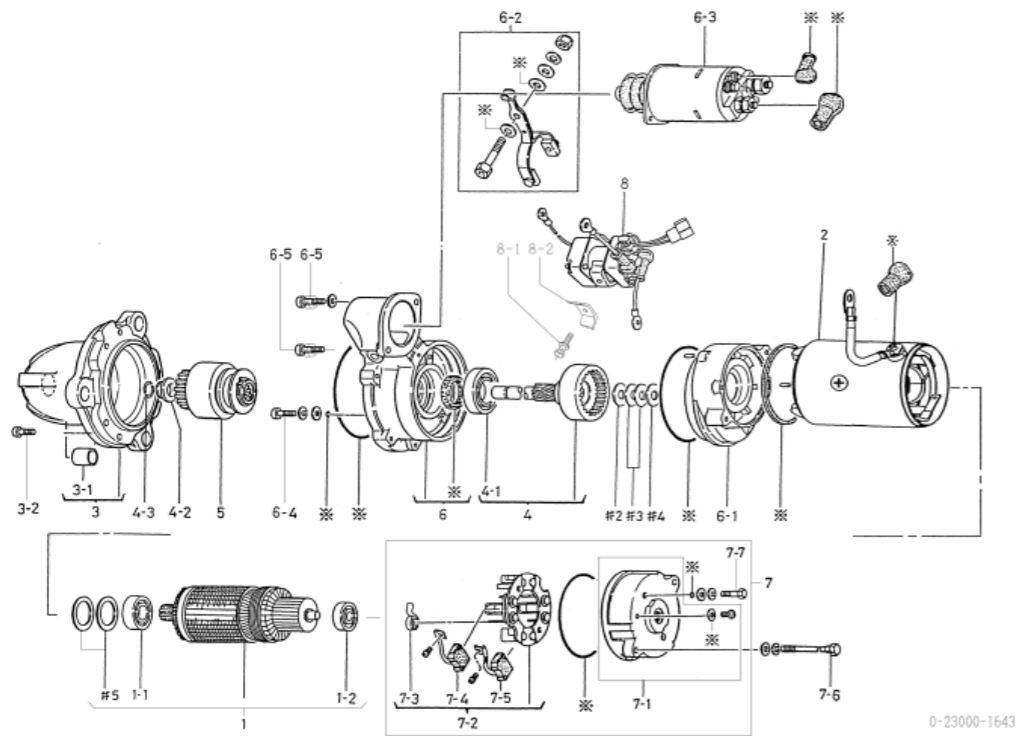
※	7-09210-2790	SEAL ASSY	
	1-0345-05001	SEAL WASHER	1
	1-0345-08001	SEAL WASHER	2
	1-23951-0180	PACKING	1
	1-09210-1020	OIL SEAL	1
	1-09211-0980	O RING	2
	1-09211-1050	O RING	2
	1-09211-1060	O RING	1
	1-09211-1070	O RING	3

0-23000-1643 STARTING MOTOR

OEM CUSTOMER	KOMATSU	OEM PARTS NUMBER	600-813-3262
NOMINAL OUTPUT	24V 5.5Kw	SUPPLY TERM	02.09~
WEIGHT	12kg	SWITCH	SAFETY RELAY (INSTALLED ON RIGHT)
ENGINE MODEL	S6D125		
VEHICLE	EG220BS-2		
OLD MODEL RECORD	0-23000-1640 → 1641 → 1642 → 1643		
DESIGN RECORD	1640 → 1641	SFR CHANGED	
	1641 → 1642	SFR CHANGED	
	1642 → 1643	SFR AND MAG. SW CHANGED	
NOTE	WATER PROOF OLI PROOF φ90		

0-23000-1643 STARTING MOTOR (MAKER PART NO 600-813-3262)

No	Parts Number	Maker Parts No	Description	Qty	List Price	Note
1	7-23100-0190		ARMATURE ASSY	1		INCLUDING 1-1,1-2,#5
1-1	1-0454-60047		BALL BEARING	1		FRONT
1-2	1-0454-62007		BALL BEARING	1		REAR
2	0-23200-0234		YOKE ASSY	1		INCLUDING 7-4
3	0-23310-0574		FRONT BRACKET CO	1		INCLUDING 3-1
3-1	7-23351-0146		METAL	1		FRONT
3-2	1-0240-06305		BOLT	6		
4	7-23120-0280		SHAFT ASSY	1		INCLUDING 4-1
4-1	1-0454-60057		BALL BEARING	1		CENTER
4-2	1-23181-0030		PINION STOPPER	1		
4-3	1-23914-0030		CLIP RING	2		
5	0-23500-0284		O.R.CLUTCH ASSY	1		
6	1-23600-0180		CENTER BRACKET ASSY	1		INCLUDING OIL SEAL
6-1	1-23611-0430		CENTER BRACKET	1		
6-2	7-23320-0070		SHIFT LEVER ASSY	1		
6-3	0-47100-4944		MAG.SWITCH ASSY	1		
6-4	0-09001-5010		BOLT	3		
6-5	0-0275-06222		BOLT	2		
7	7-23700-0374		R.BRACKET ASSY	1		INCLUDING 7-1~7-5, 7-7
7-1	0-23700-0080		R.BRACKET ASSY	1		
7-2	7-23750-0064		BRUSH HOLDER CO	1		INCLUDING 7-3~7-5
7-3	1-23913-0010		BRUSH SPRING	4		
7-4	0-24740-0036		BRUSH CO	2		(+)
7-5	0-24740-0047		BRUSH CO	2		(-)
7-6	1-23901-0080		BOLT	2		THROUGH BOLT
7-7	0-09001-4180		BOLT	2		
8	0-25000-8890		SWITCH	1		
8-1	0-0270-06552		BOLT	1		
8-2	1-47927-0920		HOLDER	1		
#2	1-23921-0130		WASHER	1		
#3	1-23921-0140		WASHER	2		
#4	1-23941-0030		INSULATE WASHER	1		
#5	1-21921-0030		WASHER	2		
※	7-09210-1270		SEAL ASSY	1		
※	7-09210-1270	SEAL ASSY				
	1-0345-05001	SEAL WASHER	1			
	1-0345-08001	SEAL WASHER	2			
	1-09210-1020	OIL SEAL	1			
	1-09211-0980	O RING	2			
	1-09211-1050	O RING	2			
	1-09211-1060	O RING	1			
	1-09252-0420	GUM CAP	1			
	1-09252-0430	GUM CAP	2			
	1-23951-0180	PACKING	1			
	1-09211-1070	O RING	3			

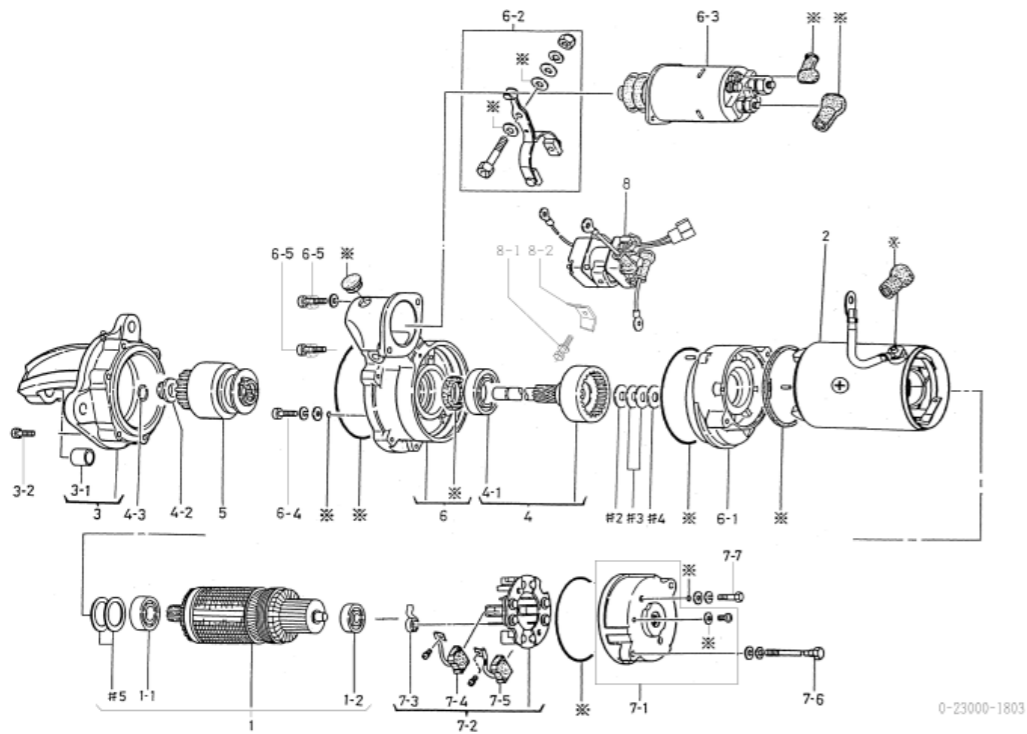


0-23000-1803 STARTING MOTOR

OEM CUSTOMER	KOMATSU	OEM PARTS NUMBER	600-813-4361
NOMINAL OUTPUT	24V 5.5Kw	SUPPLY TERM	02.09~
WEIGHT	12kg	SWITCH	SAFETY RELAY (INSTALLED ON RIGHT)
ENGINE MODEL	SA6D108-1		
VEHICLE	6M108A-1		
OLD MODEL RECORD	0-23000-1800 → 1802 → 1803		
DESIGN RECORD	1800→1802	SFR CHANGED	
	1802→1803	SFR AND MAG.SW CHANGED. ABOLISHMENT OF YELLOW PAINTING.	
NOTE	WATER PROOF OIL PROOF RUST PROOF φ90 1-WIRE MARINE SPECIFICATION		

0-23000-1803 STARTING MOTOR (MAKER PART NO 600-813-4361)

No	Parts Number	Maker Parts No	Description	Qty	List Price	Note
1	7-23100-0190		ARMATURE ASSY	1		INCLUDING 1-1,1-2,#5
1-1	1-0454-60047		BALL BEARING	1		FRONT
1-2	1-0454-62007		BALL BEARING	1		REAR
2	0-23200-0234		YOKE ASSY	1		INCLUDING 7-4
3	0-23310-0574		FRONT BRACKET CO	1		INCLUDING 3-1
3-1	7-23351-0146		METAL	1		FRONT
3-2	1-0240-06305		BOLT	6		
4	7-23120-0280		SHAFT ASSY	1		INCLUDING 4-1
4-1	1-0454-60057		BALL BEARING	1		CENTER
4-2	1-23181-0030		PINION STOPPER	1		
4-3	1-23914-0030		CLIP RING	2		
5	0-23500-0284		O.R.CLUTCH ASSY	1		
6	0-23600-0181		CENTER BRACKET ASSY	1		INCLUDING OIL SEAL
6-1	1-23611-0430		CENTER BRACKET	1		
6-2	7-23320-0070		SHIFT LEVER ASSY	1		
6-3	0-47100-4964		MAG.SWITCH ASSY	1		
6-4	0-09001-5010		BOLT	3		
6-5	0-0275-06222		BOLT	2		
7-1	0-23700-0080		R.BRACKET ASSY	1		
7-2	7-23750-0084		BRUSH HOLDER CO	1		INCLUDING 7-3~7-5
7-3	1-23913-0020		BRUSH SPRING	4		
7-4	0-24740-0036		BRUSH CO	2		(+)
7-5	0-24740-0047		BRUSH CO	2		(-)
7-6	1-23901-0080		BOLT	2		THROUGH BOLT
7-7	0-09001-4180		BOLT	2		
8	0-25000-7453		SWITCH	1		
8-1	0-0270-06552		BOLT	1		
8-2	1-47927-0920		HOLDER	1		
#2	1-23921-0130		WASHER	1		
#3	1-23921-0140		WASHER	2		FOR ADJUSTMENT
#4	1-23941-0030		INSULATE WASHER	1		
#5	1-21921-0030		WASHER	2		
※	7-09210-2760		SEAL ASSY	1		



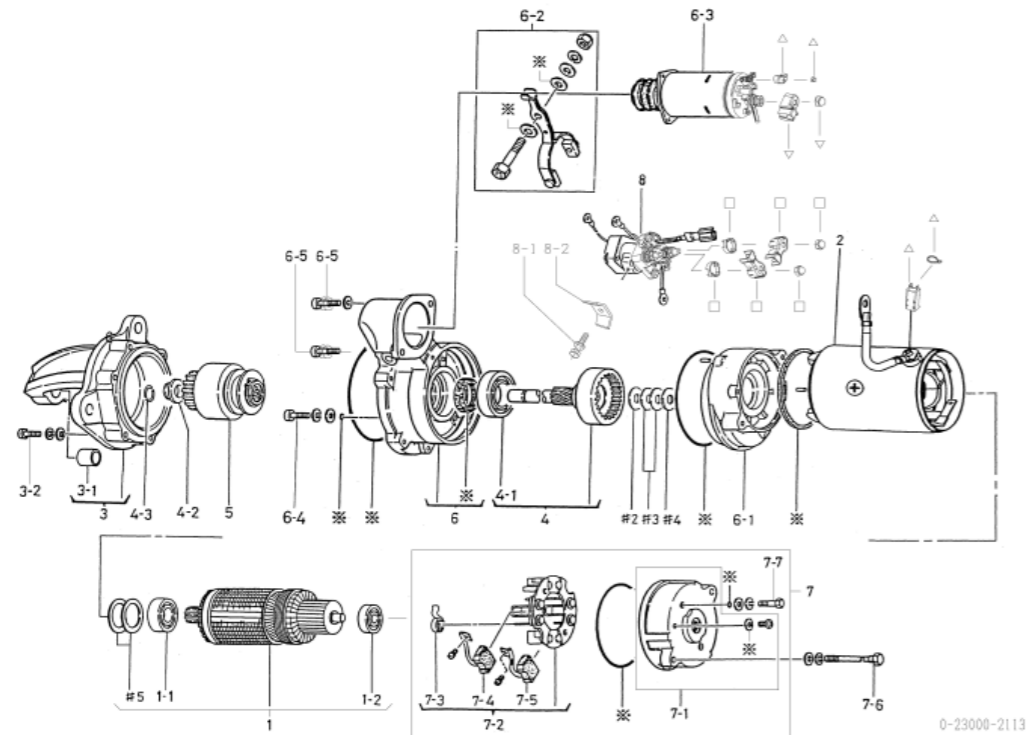
※	7-09210-2760	SEAL ASSY	
	1-0345-05001	SEAL WASHER	1
	1-0345-08001	SEAL WASHER	2
	1-23951-0180	PACKING	1
	1-09210-1020	OIL SEAL	1
	1-09211-0980	O RING	2
	1-09211-1050	O RING	2
	1-09211-1060	O RING	1
	1-09211-1070	O RING	3
	1-09252-0420	GUM CAP	1
	1-09252-0430	GUM CAP	2
	1-47953-0081	GUM BUSH	1

0-23000-2113 STARTING MOTOR

OEM CUSTOMER	KOMATSU	OEM PARTS NUMBER	600-813-6212
NOMINAL OUTPUT	24V 5.5Kw	SUPPLY TERM	02.07~
WEIGHT	11kg	SWITCH	SAFETY RELAY (INSTALLED ON RIGHT)
ENGINE MODEL	6D95L		
VEHICLE	WA100,WA100-3		
OLD MODEL RECORD	0-23000-2110 → 2112 → 2113		
DESIGN RECORD	2110 → 2112 SFR CHANGED 2112 → 2113 JUMPSTART SPECIFICATION, SFR AND MAG.SW CHANGED		
NOTE	WATER PROOF OIL PROOF φ90		

0-23000-2113 STARTING MOTOR (MAKER PART NO 600-813-6212)

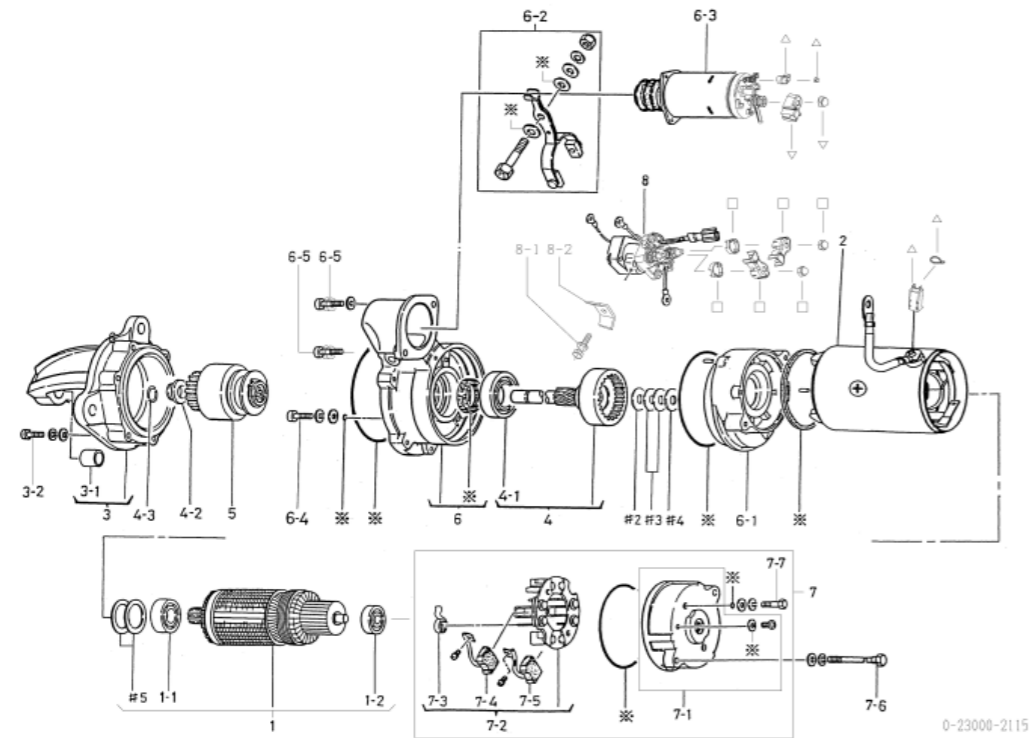
No	Parts Number	Maker Parts No	Description	Qty	List Price	Note
1	723100-0190		ARMATURE ASSY	1		INCLUDING 1-1,1-2,#5
1-1	1-0454-60047		BALL BEARING	1		FRONT
1-2	1-0454-62007		BALL BEARING	1		REAR
2	0-23200-0235		YOKE ASSY	1		INCLUDING 7-4
3	0-23310-0524		FRONT BRACKET CO	1		INCLUDING 3-1
3-1	7-23351-0146		METAL	1		FRONT
3-2	0-0240-05505		BOLT	6		
4	7-23120-0270		SHAFT ASSY	1		INCLUDING 4-1
4-1	1-0454-60057		BALL BEARING	1		CENTER
4-2	1-23181-0030		PINION STOPPER	1		
4-3	1-23914-0030		CLIP RING	2		
5	0-23500-0264		O.R.CLUTCH ASSY	1		
6	1-23600-0160		CENTER BRACKET ASSY	1		INCLUDING OIL SEAL
6-1	1-23611-0430		CENTER BRACKET	1		
6-2	7-23320-0040		SHIFT LEVER ASSY	1		
6-3	7-47100-0310		MAG. SWITCH ASSY	1		
6-4	0-09001-5010		BOLT	3		
6-5	0-0275-06222		BOLT	2		
7	7-23700-0374		R.BRACKET ASSY	1		INCLUDING 7-1~7-5, 7-7
7-1	0-23700-0080		R.BRACKET ASSY	1		
7-2	7-23750-0064		BRUSH HOLDER CO	1		INCLUDING 7-3~7-5
7-3	1-23913-0010		BRUSH SPRING	4		
7-4	0-24740-0036		BRUSH CO	2		(+)
7-5	0-24740-0047		BRUSH CO	2		(-)
7-6	1-23901-0080		BOLT	2		THROUGH BOLT
7-7	0-09001-4180		BOLT	2		
8	0-25000-7283		SWITCH	1		
8-1	0-0270-06502		BOLT	1		
8-2	1-47927-0920		HOLDER	1		
#2	1-23921-0130		WASHER	1		
#3	1-23921-0140		WASHER	2		FOR ADJUSTMENT
#4	1-23941-0030		INSULATE WASHER	1		
#5	1-21921-0030		WASHER	2		
※	7-09210-2790		SEAL ASSY	1		
△	7-47761-0050		MAG. SWITCH COVER ASSY	1		
□	7-47761-0030		SWITCH COVER ASSY	1		



※	7-09210-2790	SEAL ASSY	
	1-0345-05001	SEAL WASHER	1
	1-0345-08001	SEAL WASHER	2
	1-23951-0180	PACKING	1
	1-09210-1020	OIL SEAL	1
	1-09211-0980	O RING	2
	1-09211-1050	O RING	2
	1-09211-1060	O RING	1
	1-09211-1070	O RING	3

0-23000-2115 STARTING MOTOR

OEM CUSTOMER	KOMATSU	OEM PARTS NUMBER	600-813-6213
NOMINAL OUTPUT	24V 5.5Kw	SUPPLY TERM	15.05~
WEIGHT	11kg	SWITCH	SAFETY RELAY (INSTALLED ON RIGHT)
ENGINE MODEL	6D95L		
VEHICLE	WA100,WA100-3		
OLD MODEL RECORD	0-23000-2110 → 2112 → 2113 → 2115		
DESIGN RECORD	2110 → 2112	SFR CHANGED	
	2112 → 2113	JUMPSTART SPECIFICATION, SFR AND MAG.SW CHANGED	
	2113 → 2115	CAUTION PLATE CHANGED	
NOTE	WATER PROOF OIL PROOF φ90		



0-23000-2115

0-23000-2115 STARTING MOTOR (MAKER PART NO 600-813-6213)

No	Parts Number	Maker Parts No	Description	Qty	List Price	Note
1	723100-0190		ARMATURE ASSY	1		INCLUDING 1-1,1-2,#5
1-1	1-0454-60047		BALL BEARING	1		FRONT
1-2	1-0454-62007		BALL BEARING	1		REAR
2	0-23200-0235		YOKE ASSY	1		INCLUDING 7-4
3	0-23310-0524		FRONT BRACKET CO	1		INCLUDING 3-1
3-1	7-23351-0146		METAL	1		FRONT
3-2	0-0240-05505		BOLT	6		
4	7-23120-0270		SHAFT ASSY	1		INCLUDING 4-1
4-1	1-0454-60057		BALL BEARING	1		CENTER
4-2	1-23181-0030		PINION STOPPER	1		
4-3	1-23914-0030		CLIP RING	2		
5	0-23500-0264		O.R.CLUTCH ASSY	1		
6	1-23600-0160		CENTER BRACKET ASSY	1		INCLUDING OIL SEAL
6-1	1-23611-0430		CENTER BRACKET	1		
6-2	7-23320-0040		SHIFT LEVER ASSY	1		
6-3	7-47100-0314		MAG. SWITCH ASSY	1		
6-4	0-09001-5010		BOLT	3		
6-5	0-0275-06222		BOLT	2		
7	7-23700-0374		R.BRACKET ASSY	1		INCLUDING 7-1~7-5, 7-7
7-1	0-23700-0080		R.BRACKET ASSY	1		
7-2	7-23750-0064		BRUSH HOLDER CO	1		INCLUDING 7-3~7-5
7-3	1-23913-0010		BRUSH SPRING	4		
7-4	0-24740-0036		BRUSH CO	2		(+)
7-5	0-24740-0047		BRUSH CO	2		(-)
7-6	1-23901-0080		BOLT	2		THROUGH BOLT
7-7	0-09001-4180		BOLT	2		
8	0-25000-7283		SWITCH	1		
8-1	0-0270-06502		BOLT	1		
8-2	1-47927-0920		HOLDER	1		
#2	1-23921-0130		WASHER	1		
#3	1-23921-0140		WASHER	2		FOR ADJUSTMENT
#4	1-23941-0030		INSULATE WASHER	1		
#5	1-21921-0030		WASHER	2		
※	7-09210-2790		SEAL ASSY	1		
△	7-47761-0050		MAG. SWITCH COVER ASSY	1		
□	7-47761-0030		SWITCH COVER ASSY	1		

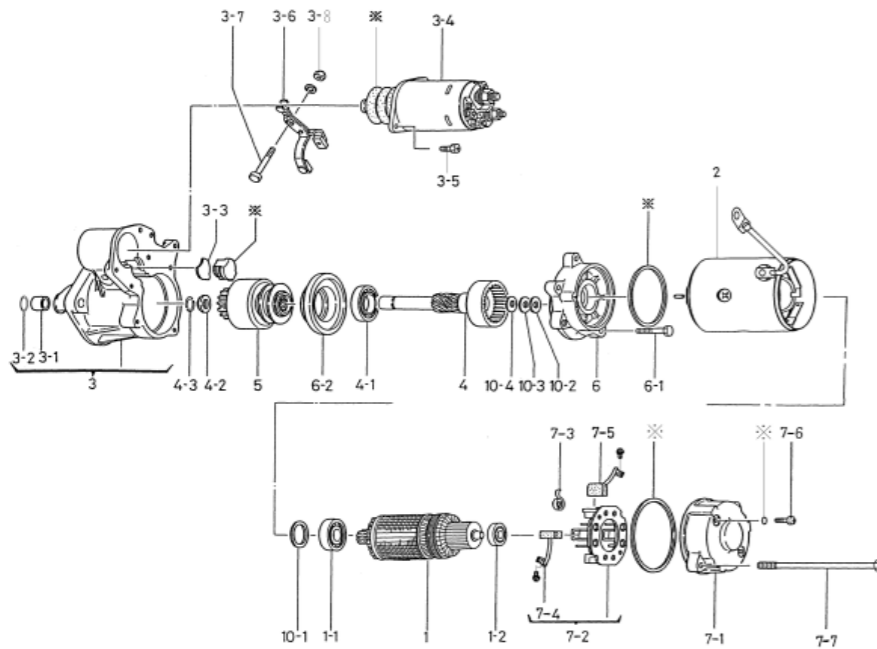
※	7-09210-2790	SEAL ASSY	
	1-0345-05001	SEAL WASHER	1
	1-0345-08001	SEAL WASHER	2
	1-23951-0180	PACKING	1
	1-09210-1020	OIL SEAL	1
	1-09211-0980	O RING	2
	1-09211-1050	O RING	2
	1-09211-1060	O RING	1
	1-09211-1070	O RING	3

0-23000-2201 STARTING MOTOR

OEM CUSTOMER	ISUZU	OEM PARTS NUMBER	8-97078926-4
NOMINAL OUTPUT	24V 4.5Kw	SUPPLY TERM	96.09~
WEIGHT	8.5kg	SWITCH	
ENGINE MODEL	4BD1		
VEHICLE	INDUSTRY(XD)		
OLD MODEL RECORD	0-23000-2200 → 2201		
DESIGN RECORD	2200 → 2201 PINION CHANGED		
NOTE	DRIP PROOF φ90 0-23000-2542 WITHOUT SFR		

0-23000-2201 STARTING MOTOR (MAKER PART NO 8-97078926-4)

No	Parts Number	Maker Parts No	Description	Qty	List Price	Note
1	0-23100-0381	8-97044363-0	ARMATURE CO	1		
1-1	1-0456-60037	5-81129155-0	BALL BEARING	1		FRONT
1-2	1-0456-62007	1-81129196-0	BALL BEARING	1		REAR
2	0-23200-0568	8-98155043-0	YOKE ASSY	1		INCLUDING 7-4
3	0-23310-1415	8-98155021-0	FRONT BRACKET CO	1		INCLUDING 3-1,3-2
3-1	7-23351-0224	8-98155026-0	METAL	1		FRONT
3-2	0-23761-0060	8-97044368-0	COVER	1		
3-3	0-23922-0190	8-97044369-0	PLATE	1		
3-4	0-47100-4240	8-97044370-0	MAG.SWITCH ASSY	1		
3-5	0-09001-4840	1-81129603-0	BOLT	2		
3-6	1-23320-0130	1-81127031-0	SHIFT LEVER CO	1		
3-7	0-23303-0010	1-81129185-0	LEVER PIN	1		
3-8	1-09279-0090	1-81129184-0	NUT	1		
4	0-23120-0130	8-97044372-0	SHAFT CO	1		
4-1	1-0454-60057	1-81129528-0	BALL BEARING	1		CENTER
4-2	0-23181-0060	8-97044373-0	PINION STOPPER	1		
4-3	0-23914-0050	8-97044374-0	CLIP RING	2		
5	0-23500-0323	8-97169847-0	O.R.CLUTCH ASSY	1		
6	0-23611-0940	8-97044375-0	CENTER BRACKET	1		
6-1	0-0276-06352	1-81129604-0	BOLT	3		
6-2	1-23611-0190	5-81113042-0	CENTER BRACKET	1		
7-1	0-23711-0400	8-97044376-0	REAR BRACKET	1		
7-2	7-23750-0164	8-97163763-0	BRUSH HOLDER CO	1		INCLUDING 7-3~7-5
7-3	1-23913-0010	5-81117019-0	BRUSH SPRING	4		
7-4	0-24740-0036	8-98197175-0	BRUSH CO	2		(+)
7-5	0-24740-0047	8-98197176-0	BRUSH CO	2		(-)
7-6	0-09011-2850	1-81129602-0	SCREW	2		
7-7	0-09001-4890	8-97020269-0	BOLT	2		THROUGH BOLT
10-1	1-23921-0150	5-81129156-0	WASHER	1		
10-2	1-23941-0030	5-81129158-0	INSULATE WASHER	1		
10-3	1-23921-0140	5-81129159-0	WASHER	1		
10-4	1-23921-0130	5-81129160-0	WASHER	1		
※	7-09210-2230	8-97044377-0	SEAL ASSY	1		
※	7-09210-2230	SEAL ASSY				
	1-23951-0180	PACKING		1		
	0-23953-0080	GUM BUSH		1		
	1-09211-1060	O RING		1		
	1-09211-0520	O RING		4		
	1-09211-1030	O RING		1		
	1-47952-0353	GUM CAP		1		



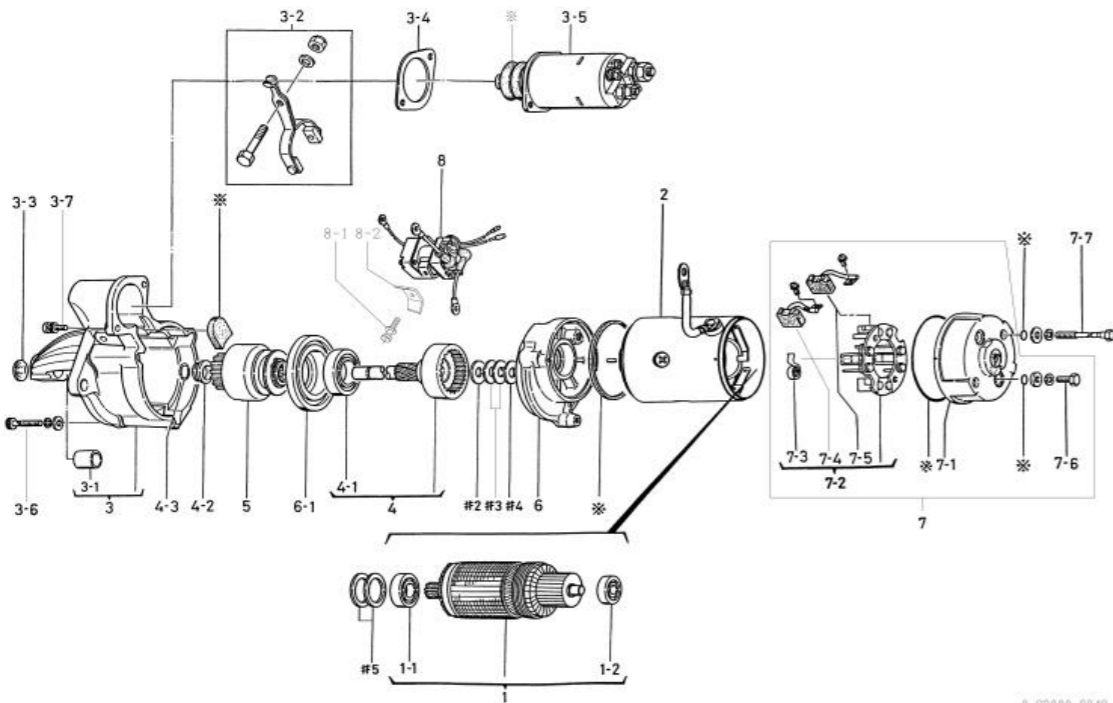
0-23000-2201

0-23000-2342 STARTING MOTOR

OEM CUSTOMER	ISUZU	OEM PARTS NUMBER	1-81100191-2
NOMINAL OUTPUT	24V 4.5Kw	SUPPLY TERM	01.06~
WEIGHT	9.3 kg	SWITCH	SAFETY RELAY (INSTALLED ON RIGHT)
ENGINE MODEL	6BD1		
VEHICLE	INDUSTRY		
OLD MODEL RECORD	0-23000-2340 → 2341 → 2342		
DESIGN RECORD	2340 → 2341	SFR CHANGED	
	2341 → 2342	SFR CHANGED	
NOTE	DRIP PROOF φ90		

0-23000-2342 STARTING MOTOR (MAKER PART NO 1-81100191-2)

No	Parts Number	Maker Parts No	Description	Qty	List Price	Note
1	7-23100-0070	1-81121037-0	ARMATURE ASSY	1		INCLUDING 1-1,1-2
1-1	1-0456-60037	5-81129155-0	BALL BEARING	1		FRONT
1-2	1-0456-62007	1-81129196-0	BALL BEARING	1		REAR
2	0-23200-0127	8-98155039-0	YOKE ASSY	1		INCLUDING 7-4
3	0-23310-0304	8-98155019-0	FRONT BRACKET CO	1		INCLUDING 3-1
3-1	7-23351-0144	8-98155024-0	METAL	1		FRONT
3-2	7-23320-0010		SHIFT LEVER ASSY	1		
3-3	1-0530-22002	5-81129142-0	DISH PLUG	1		
3-4	1-23922-0040	5-81129147-0	PLATE	1		
3-5	0-47100-3110	5-81151036-0	MAG. SWITCH ASSY	1		
3-6	1-0240-06805	1-81129387-0	BOLT	3		
3-7	0-0275-06222	1-81129419-0	BOLT	2		
4	7-23120-0110	1-81123024-0	SHAFT ASSY	1		INCLUDING 4-1
4-1	1-0454-60057	1-81129528-0	BALL BEARING	1		CENTER
4-2	1-23181-0030	5-81129145-0	PINION STOPPER	1		
4-3	1-23914-0030	5-8112-144-0	CLIP RING	2		
5	0-23500-0015	8-98155028-0	O.R.CLUTCH ASSY	1		
6	1-23611-0220	1-81113073-0	CENTER BRACKET	1		
6-1	1-23611-0210	1-81114030-0	CENTER BRACKET	1		
7	7-23700-0700		R.BRACKET ASSY	1		INCLUDING 7-1~7-6
7-1	1-23711-0071	1-81115062-0	R.BRACKET	1		
7-2	7-23750-0054		BRUSH HOLDER CO	1		INCLUDING 7-3~7-5
7-3	1-23913-0010	5-81117019-0	BRUSH SPRING	4		
7-4	0-24740-0036	8-98197175-0	BRUSH CO	2		(+)
7-5	0-24740-0047	8-98197176-0	BRUSH CO	2		(-)
7-6	0-09001-4180	5-81129241-0	BOLT	2		
7-7	1-23901-0080	5-81129237-0	BOLT	2		THROUGH BOLT
8	0-25000-7812	1-82553055-1	SWITCH	1		
8-1	0-0270-06502	1-81129401-0	BOLT	1		
8-2	1-47927-0920	1-81118039-0	HOLDER	1		
#2	1-23921-0130	5-81129160-0	WASHER	1		
#3	1-23921-0140	5-81129159-0	WASHER	2		ADJUSTMENT
#4	1-23941-0030	5-81129158-0	INSULATE WASHER	1		
#5	1-23921-0150	5-81129156-0	WASHER	2		ADJUSTMENT
※	7-09210-0620	1-81129394-0	SEAL ASSY	1		

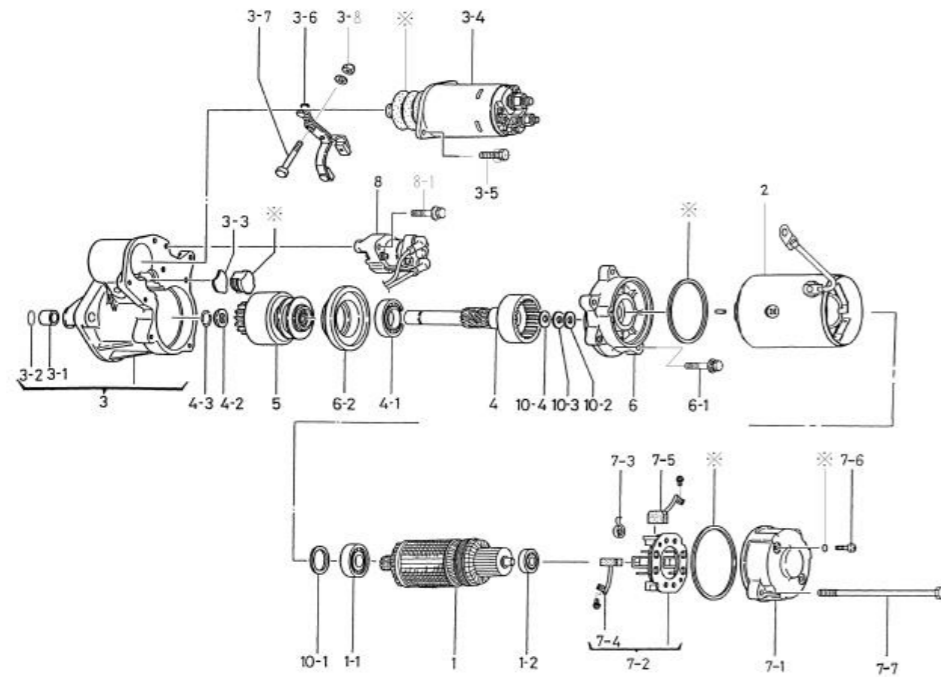


0-23000-2342

※	7-09210-0620	SEAL ASSY	
	1-09211-1030	O RING	1
	1-09211-1050	O RING	4
	1-09211-1060	O RING	1
	1-09211-1070	O RING	2
	1-23951-0120	PACKING	1
	1-23951-0180	PACKING	1
	1-47952-0353	GUM CAP	1

0-23000-2542 STARTING MOTOR

OEM CUSTOMER	ISUZU	OEM PARTS NUMBER	8-97029863-7
NOMINAL OUTPUT	24V 4.5Kw	SUPPLY TERM	01.06~
WEIGHT	8.9kg	SWITCH	SAFETY RELAY (INSTALLED ON RIGHT)
ENGINE MODEL	4BG1T		
VEHICLE	INDUSTRY (XV)		
OLD MODEL RECORD	0-23000-2100 → 2101 → 2102 → 2103 → 2540 → 2541 → 2542		
DESIGN RECORD	2100 → 2101 IMPROVED VIBRATION & HEAT RESISTENCE. SFR CHANGED 2101 → 2102 PINION CHANGED 2540 → 2541 SFR CHANGED 2102 → 2103 PINION CHANGED 2541 → 2542 SFR CHANGED 2103 → 2540 SFR CHANGED		
NOTE	DRIP PROOF φ90 OUT PUT UP VERSION OF 0-23000-1700, 0-21000-4933		



0-23000-2542

0-23000-2542 STARTING MOTOR (MAKER PART NO 8-97029863-7)

No	Parts Number	Maker Parts No	Description	Qty	List Price	Note
1	0-23100-0381	8-97044363-0	ARMATURE CO	1		
1-1	1-0456-60037	5-81129155-0	BALL BEARING	1		FRONT
1-2	1-0456-62007	1-81129196-0	BALL BEARING	1		REAR
2	0-23200-0568	8-98155043-0	YOKE ASSY	1		INCLUDING 7-4
3	0-23310-1415	8-98155021-0	FRONT BRACKET CO	1		INCLUDING 3-1,3-2
3-1	7-23351-0224	8-98155026-0	METAL	1		FRONT
3-2	0-23761-0060	8-97044368-0	COVER	1		
3-3	0-23922-0190	8-97044369-0	PLATE	1		
3-4	0-47100-4240	8-97044370-0	MAG.SWITCH ASSY	1		
3-5	0-09001-4840	1-81129603-0	BOLT	2		
3-6	1-23320-0130	1-81127031-0	SHIFT LEVER CO	1		
3-7	0-23303-0010	1-81129185-0	LEVER PIN	1		
3-8	1-09279-0090	1-81129184-0	NUT	1		
4	0-23120-0130	8-97044372-0	SHAFT CO	1		
4-1	1-0454-60057	1-81129528-0	BALL BEARING	1		CENTER
4-2	0-23181-0060	8-97044373-0	PINION STOPPER	1		
4-3	0-23914-0050	8-97044374-0	CLIP RING	2		
5	0-23500-0325	8-98155034-0	O.R.CLUTCH ASSY	1		
6	0-23611-0940	8-97044375-0	CENTER BRACKET	1		
6-1	0-0276-06352	1-81129604-0	BOLT	3		
6-2	1-23611-0190	5-81113042-0	CENTER BRACKET	1		
7-1	0-23711-0400	8-97044376-0	REAR BRACKET	1		
7-2	7-23750-0164	8-97163763-0	BRUSH HOLDER CO	1		INCLUDING 7-3~7-5
7-3	1-23913-0010	5-81117019-0	BRUSH SPRING	4		
7-4	0-24740-0036	8-98197175-0	BRUSH CO	2		(+)
7-5	0-24740-0047	8-98197176-0	BRUSH CO	2		(-)
7-6	0-09011-2850	1-81129602-0	SCREW	2		
7-7	0-09001-4890	8-97020269-0	BOLT	2		THROUGH BOLT
8	0-25000-7823	8-97251536-1	SWITCH	1		
8-1	0-0273-06452	1-81129726-0	BOLT	2		
10-1	1-23921-0150	5-81129156-0	WASHER	1		
10-2	1-23941-0030	5-81129158-0	INSULATE WASHER	1		
10-3	1-23921-0140	5-81129159-0	WASHER	1		
10-4	1-23921-0130	5-81129160-0	WASHER	1		
※	7-09210-2230	8-97044377-0	SEAL ASSY	1		

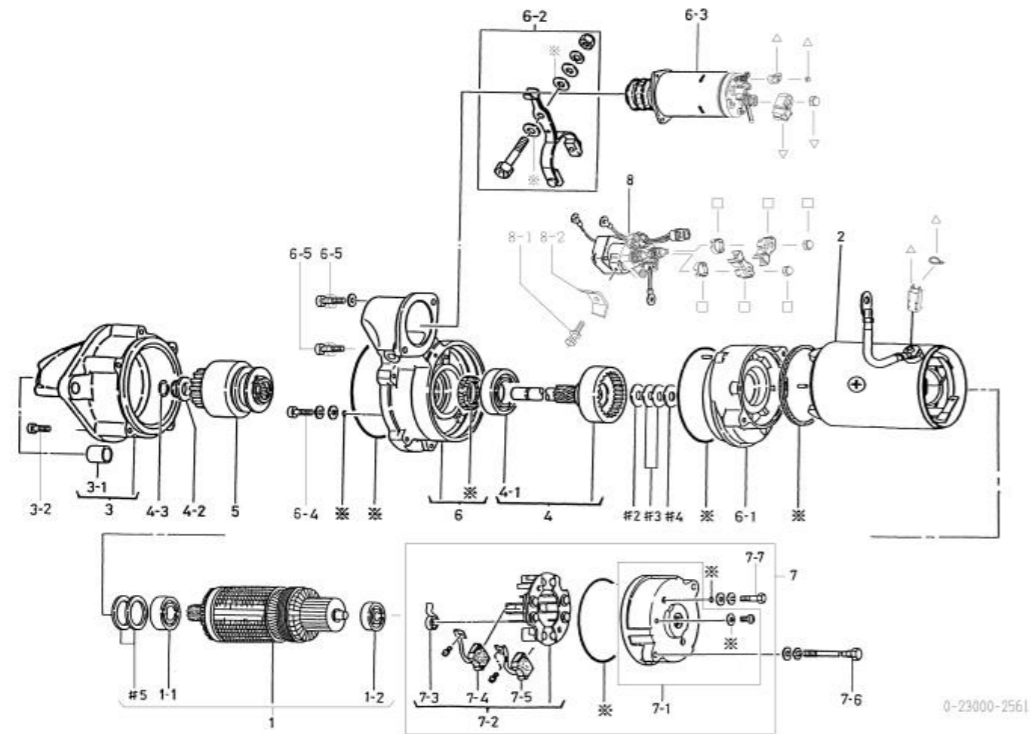
※	7-09210-2230	SEAL ASSY	
	1-23951-0180	PACKING	1
	0-23953-0080	GUM BUSH	1
	1-09211-1060	O RING	1
	1-09211-0520	O RING	4
	1-09211-1030	O RING	1
	1-47952-0353	GUM CAP	1

0-23000-2561 STARTING MOTOR

OEM CUSTOMER	KOMATSU	OEM PARTS NUMBER	600-813-4424
NOMINAL OUTPUT	24V 5.5Kw	SUPPLY TERM	02.07~
WEIGHT	12kg	SWITCH	SAFETY RELAY (INSTALLED ON RIGHT)
ENGINE MODEL	S4D95L		
VEHICLE	PC100-6		
OLD MODEL RECORD	0-23000-1750 → 1752 → 2560 → 2561		
DESIGN RECORD	1750 → 1752	STRENGTHENED CLUTCH	
	1752 → 2560	SFR CHANGED	
	2560 → 2561	JUMPSTART SPECIFICATION, SFR AND MAG.SW CHANGED	
NOTE	WATER PROOF OIL PROOF φ90		

0-23000-2561 STARTING MOTOR (MAKER PART NO 600-813-4424)

No	Parts Number	Maker Parts No	Description	Qty	List Price	Note
1	7-23100-0190		ARMATURE ASSY	1		INCLUDING 1-1,1-2,#5
1-1	1-0454-60047		BALL BEARING	1		FRONT
1-2	1-0456-62007		BALL BEARING	1		REAR
2	0-23200-0235		YOKE ASSY	1		INCLUDING 7-4
3	0-23310-0684		FRONT BRACKET CO	1		INCLUDING 3-1
3-1	7-23351-0146		METAL	1		FRONT
3-2	0-0240-06605		BOLT	6		
4	7-23120-0270		SHAFT ASSY	1		INCLUDING 4-1
4-1	1-0454-60057		BALL BEARING	1		CENTER
4-2	1-23181-0030		PINION STOPPER	1		
4-3	1-23914-0030		CLIP RING	2		
5	0-23500-0395		O.R.CLUTCH ASSY	1		
6	0-23600-0220		CENTER BRACKET ASSY	1		INCLUDING OIL SEAL
6-1	1-23611-0430		CENTER BRACKET	1		
6-2	7-23320-0040		SHIFT LEVER ASSY	1		
6-3	7-47100-0310		MAG. SWITCH ASSY	1		
6-4	0-09001-5010		BOLT	3		
6-5	0-0275-06222		BOLT	2		
7	7-23700-0374		R.BRACKET ASSY	1		
7-1	7-23700-0080		R.BRACKET ASSY	1		INCLUDING 7-1~7-5, 7-7
7-2	7-23750-0064		BRUSH HOLDER CO	1		
7-3	1-23913-0010		BRUSH SPRING	4		INCLUDING 7-3~7-5
7-4	0-24740-0036		BRUSH CO	2		
7-5	0-24740-0047		BRUSH CO	2		(+)
7-6	1-23901-0080		BOLT	2		(-)
7-7	0-09001-4180		BOLT	2		THROUGH BOLT
8	0-25000-7283		SWITCH	1		
8-1	0-0270-06502		BOLT	1		
8-2	1-47927-0920		HOLDER	1		
#2	1-23921-0130		WASHER	1		
#3	1-23921-0140		WASHER	2		FOR ADJUSTMENT
#4	1-23941-0030		INSULATE WASHER	1		
#5	1-21921-0030		WASHER	2		
※	7-09210-2790		SEAL ASSY	1		
△	7-47761-0050		MAG. SWITCH COVER ASSY	1		
□	7-47761-0030		SWITCH COVER ASSY	1		



0-23000-2561

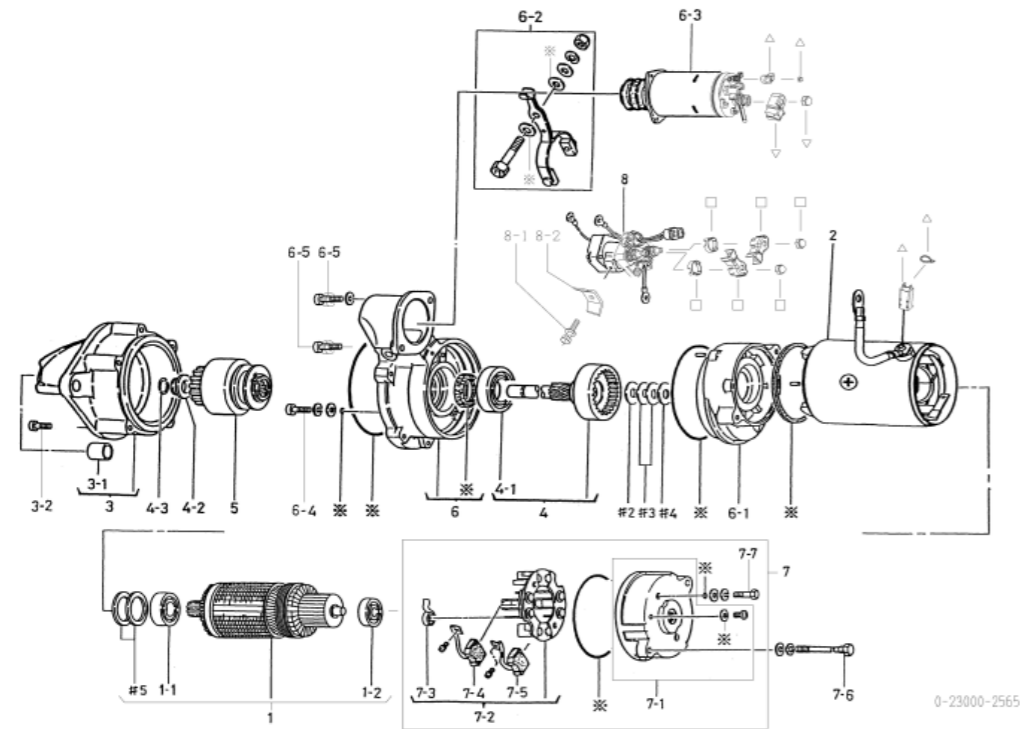
※	7-09210-2790	SEAL ASSY	
	1-0345-05001	SEAL WASHER	1
	1-0345-08001	SEAL WASHER	2
	1-23951-0180	PACKING	1
	1-09210-1020	OIL SEAL	1
	1-09211-0980	O RING	2
	1-09211-1050	O RING	2
	1-09211-1060	O RING	1
	1-09211-1070	O RING	3

0-23000-2565 STARTING MOTOR

OEM CUSTOMER	KOMATSU	OEM PARTS NUMBER	600-813-4425
NOMINAL OUTPUT	24V 5.5Kw	SUPPLY TERM	15.05~
WEIGHT	12kg	SWITCH	SAFETY RELAY (INSTALLED ON RIGHT)
ENGINE MODEL	S4D95L		
VEHICLE	PC100-6		
OLD MODEL RECORD	0-23000-1750 → 1752 → 2560 → 2561 → 2565		
DESIGN RECORD	1750 → 1752	STRENGTHENED CLUTCH	
	1752 → 2560	SFR CHANGED	
	2560 → 2561	JUMPSTART SPECIFICATION, SFR AND MAG.SW CHANGED	
	2561 → 2565	CAUTION PLATE CHANGED	
NOTE	WATER PROOF OIL PROOF φ90		

0-23000-2565 STARTING MOTOR (MAKER PART NO 600-813-4425)

No	Parts Number	Maker Parts No	Description	Qty	List Price	Note
1	7-23100-0190		ARMATURE ASSY	1		INCLUDING 1-1,1-2,#5
1-1	1-0454-60047		BALL BEARING	1		FRONT
1-2	1-0456-62007		BALL BEARING	1		REAR
2	0-23200-0235		YOKE ASSY	1		INCLUDING 7-4
3	0-23310-0684		FRONT BRACKET CO	1		INCLUDING 3-1
3-1	7-23351-0146		METAL	1		FRONT
3-2	1-0240-06605		BOLT	6		
4	7-23120-0270		SHAFT ASSY	1		INCLUDING 4-1
4-1	1-0454-60057		BALL BEARING	1		CENTER
4-2	1-23181-0030		PINION STOPPER	1		
4-3	1-23914-0030		CLIP RING	2		
5	0-23500-0395		O.R.CLUTCH ASSY	1		
6	0-23600-0220		CENTER BRACKET ASSY	1		INCLUDING OIL SEAL
6-1	1-23611-0430		CENTER BRACKET	1		
6-2	7-23320-0040		SHIFT LEVER ASSY	1		
6-3	7-47100-0314		MAG. SWITCH ASSY	1		
6-4	0-09001-5010		BOLT	3		
6-5	0-0275-06222		BOLT	2		
7	7-23700-0374		REAR BRACKET ASSY	1		INCLUDING 7-1~7-5, 7-7
7-1	0-23700-0080		REAR BRACKET ASSY	1		
7-2	7-23750-0064		BRUSH HOLDER CO	1		INCLUDING 7-3~7-5
7-3	1-23913-0010		BRUSH SPRING	4		
7-4	0-24740-0036		BRUSH CO	2		(+)
7-5	0-24740-0047		BRUSH CO	2		(-)
7-6	1-23901-0080		BOLT	2		THROUGH BOLT
7-7	0-09001-4180		BOLT	2		
8	0-25000-7283		SWITCH	1		
8-1	0-0270-06502		BOLT	1		
8-2	1-47927-0920		HOLDER	1		
#2	1-23921-0130		WASHER	1		
#3	1-23921-0140		WASHER	2		FOR ADJUSTMENT
#4	1-23941-0030		INSULATE WASHER	1		
#5	1-21921-0030		WASHER	2		
※	7-09210-2790		SEAL ASSY	1		
△	7-47761-0050		MAG. SWITCH COVER ASSY	1		
□	7-47761-0030		SWITCH COVER ASSY	1		



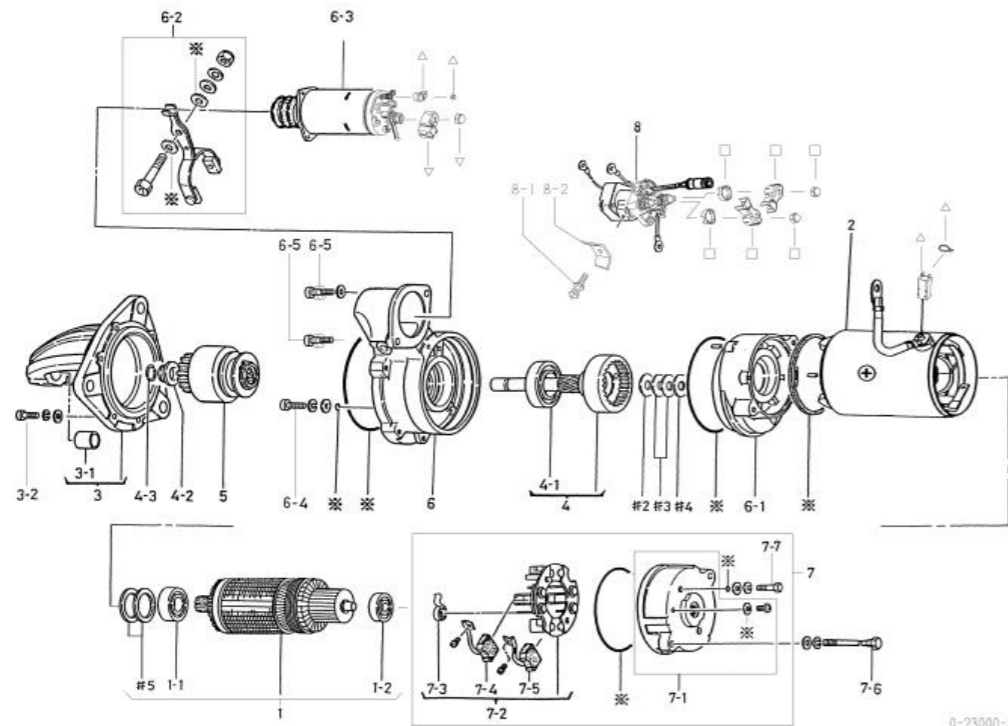
※	7-09210-2790	SEAL ASSY	
	1-0345-05001	SEAL WASHER	1
	1-0345-08001	SEAL WASHER	2
	1-23951-0180	PACKING	1
	1-09210-1020	OIL SEAL	1
	1-09211-0980	O RING	2
	1-09211-1050	O RING	2
	1-09211-1060	O RING	1
	1-09211-1070	O RING	3

0-23000-2571 STARTING MOTOR

OEM CUSTOMER	KOMATSU	OEM PARTS NUMBER	600-813-4122
NOMINAL OUTPUT	24V 5.5Kw	SUPPLY TERM	02.07~
WEIGHT	11kg	SWITCH	SAFETY RELAY (INSTALLED ON RIGHT)
ENGINE MODEL	S6D105,S6D105-1		
VEHICLE	PC220-3,PW200-1		
OLD MODEL RECORD	0-23000-1231 → 2570 → 2571		
DESIGN RECORD	1231 → 2570 SFR CHANGED 2570 → 2571 JUMPSTART SPECIFICATION, SFR AND MAG.SW CHANGED		
NOTE	WATER PROOF φ90		

0-23000-2571 STARTING MOTOR (MAKER PART NO 600-813-4122)

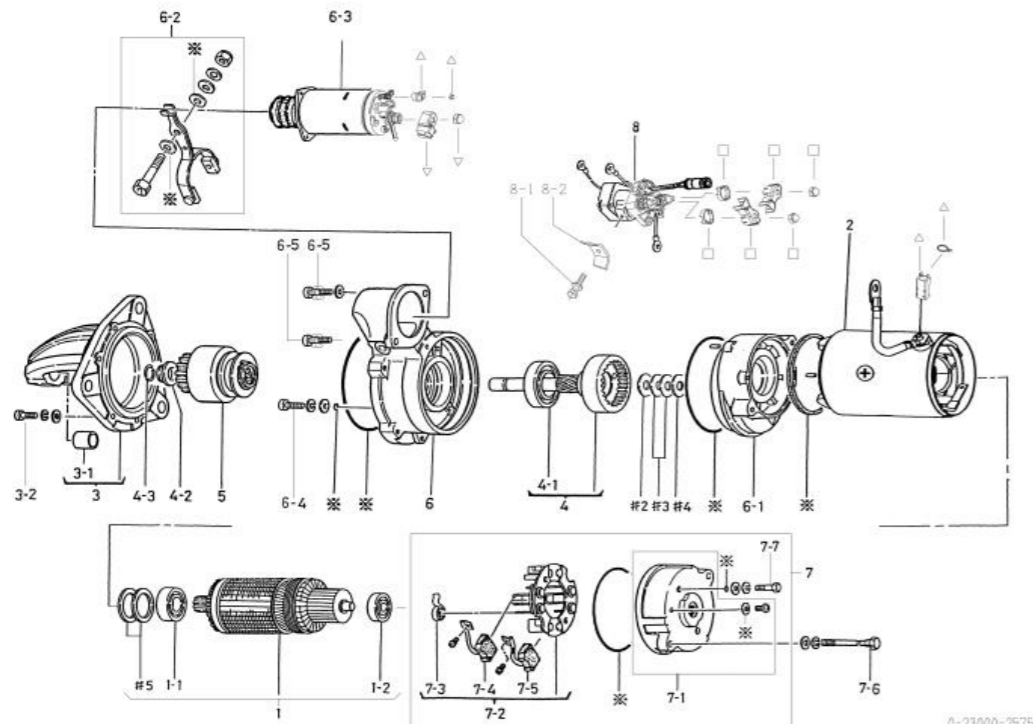
No	Parts Number	Maker Parts No	Description	Qty	List Price	Note
1	7-23100-0190		ARMATURE ASSY	1		INCLUDING 1-1,1-2,#5
1-1	1-0454-60047		BALL BEARING	1		FRONT
1-2	1-0456-62007		BALL BEARING	1		REAR
2	0-23200-0235		YOKE ASSY	1		INCLUDING 7-4
3	0-23310-0514		FRONT BRACKET CO	1		INCLUDING 3-1
3-1	7-23351-0146		METAL	1		FRONT
3-2	0-0240-05225		BOLT	6		
4	7-23120-0290		SHAFT ASSY	1		INCLUDING 4-1
4-1	1-0454-60057		BALL BEARING	1		CENTER
4-2	1-23181-0030		PINION STOPPER	1		
4-3	1-23914-0030		CLIP RING	2		
5	0-23500-0254		O.R.CLUTCH ASSY	1		
6	1-23611-0420		CENTER BRACKET	1		
6-1	1-23611-0430		CENTER BRACKET	1		
6-2	7-23320-0040		SHIFT LEVER ASSY	1		
6-3	7-47100-0310		MAG. SWITCH ASSY	1		
6-4	0-09001-5010		BOLT	3		
6-5	0-0275-06222		BOLT	2		
7	7-23700-0374		R.BRACKET ASSY	1		INCLUDING 7-1~7-5, 7-7
7-1	7-23700-0080		R.BRACKET ASSY	1		
7-2	7-23750-0064		BRUSH HOLDER CO	1		INCLUDING 7-3~7-5
7-3	1-23913-0010		BRUSH SPRING	4		
7-4	0-24740-0036		BRUSH CO	2		(+)
7-5	0-24740-0047		BRUSH CO	2		(-)
7-6	1-23901-0080		BOLT	2		THROUGH BOLT
7-7	0-09001-4180		BOLT	2		
8	0-25000-8860		SWITCH	1		
8-1	0-0270-06502		BOLT	1		
8-2	1-47927-0920		HOLDER	1		
#2	1-23921-0130		WASHER	1		
#3	1-23921-0140		WASHER	2		FOR ADJUSTMENT
#4	1-23941-0030		INSULATE WASHER	1		
#5	1-21921-0030		WASHER	2		
※	7-09210-2780		SEAL ASSY	1		
△	7-47761-0050		MAG. SWITCH COVER ASSY	1		
□	7-47761-0030		SWITCH COVER ASSY	1		



※	7-09210-2780	SEAL ASSY	
	1-0345-05001	SEAL WASHER	1
	1-0345-08001	SEAL WASHER	2
	1-23951-0180	PACKING	1
	1-09210-0980	O RING	2
	1-09211-1050	O RING	2
	1-09211-1060	O RING	1
	1-09211-1070	O RING	3

0-23000-2575 STARTING MOTOR

OEM CUSTOMER	KOMATSU	OEM PARTS NUMBER	600-813-4123
NOMINAL OUTPUT	24V 5.5Kw	SUPPLY TERM	15.05~
WEIGHT	11kg	SWITCH	SAFETY RELAY (INSTALLED ON RIGHT)
ENGINE MODEL	S6D105,S6D105-1		
VEHICLE	PC220-3,PW200-1		
OLD MODEL RECORD	0-23000-1231 → 2570 → 2571 → 2575		
DESIGN RECORD	1231 → 2570 SFR CHANGED 2570 → 2571 JUMP START SPECIFICATION, SFR AND MAG.SW CHANGED 2571 → 2575 CAUTION PLATE CHANGED		
NOTE	WATER PROOF φ90		



0-23000-2575 STARTING MOTOR (MAKER PART NO 600-813-4123)

No	Parts Number	Maker Parts No	Description	Qty	List Price	Note
1	7-23100-0190		ARMATURE ASSY	1		INCLUDING 1-1,1-2,#5
1-1	1-0454-60047		BALL BEARING	1		FRONT
1-2	1-0456-62007		BALL BEARING	1		REAR
2	0-23200-0235		YOKE ASSY	1		INCLUDING 7-4
3	0-23310-0514		FRONT BRACKET CO	1		INCLUDING 3-1
3-1	7-23351-0146		METAL	1		FRONT
3-2	0-0240-05225		BOLT	6		
4	7-23120-0290		SHAFT ASSY	1		INCLUDING 4-1
4-1	1-0454-60057		BALL BEARING	1		CENTER
4-2	1-23181-0030		PINION STOPPER	1		
4-3	1-23914-0030		CLIP RING	2		
5	0-23500-0254		O.R.CLUTCH ASSY	1		
6	1-23611-0420		CENTER BRACKET	1		
6-1	1-23611-0430		CENTER BRACKET	1		
6-2	7-23320-0040		SHIFT LEVER ASSY	1		
6-3	7-47100-0314		MAG. SWITCH ASSY	1		
6-4	0-09001-5010		BOLT	3		
6-5	0-0275-06222		BOLT	2		
7	7-23700-0374		R.BRACKET ASSY	1		INCLUDING 7-1~7-5, 7-7
7-1	7-23700-0080		R.BRACKET ASSY	1		
7-2	7-23750-0064		BRUSH HOLDER CO	1		INCLUDING 7-3~7-5
7-3	1-23913-0010		BRUSH SPRING	4		
7-4	0-24740-0036		BRUSH CO	2		(+)
7-5	0-24740-0047		BRUSH CO	2		(-)
7-6	1-23901-0080		BOLT	2		THROUGH BOLT
7-7	0-09001-4180		BOLT	2		
8	0-25000-8860		SWITCH	1		
8-1	0-0270-06502		BOLT	1		
8-2	1-47927-0920		HOLDER	1		
#2	1-23921-0130		WASHER	1		
#3	1-23921-0140		WASHER	2		FOR ADJUSTMENT
#4	1-23941-0030		INSULATE WASHER	1		
#5	1-21921-0030		WASHER	2		
※	7-09210-2780		SEAL ASSY	1		
△	7-47761-0050		MAG. SWITCH COVER ASSY	1		
□	7-47761-0030		SWITCH COVER ASSY	1		

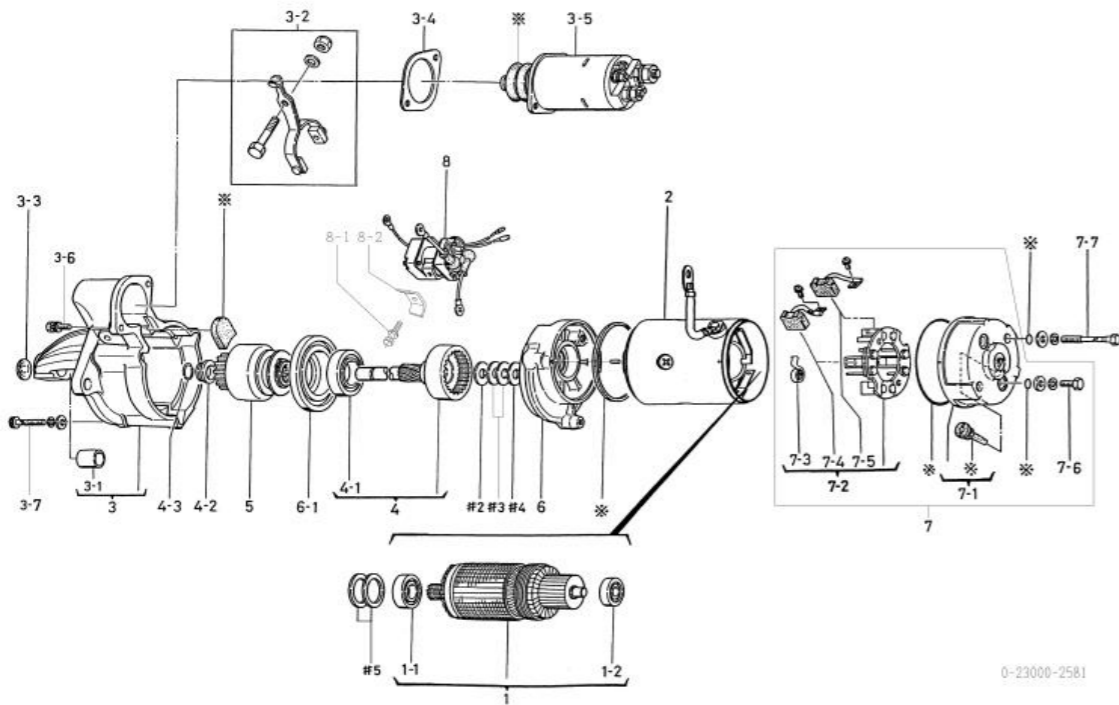
※	7-09210-2780	SEAL ASSY	
	1-0345-05001	SEAL WASHER	1
	1-0345-08001	SEAL WASHER	2
	1-23951-0180	PACKING	1
	1-09210-0980	O RING	2
	1-09211-1050	O RING	2
	1-09211-1060	O RING	1
	1-09211-1070	O RING	3

0-23000-2581 STARTING MOTOR

OEM CUSTOMER	ISUZU	OEM PARTS NUMBER	1-81100253-2
NOMINAL OUTPUT	24V 4.5Kw	SUPPLY TERM	01.06~
WEIGHT	9.3kg	SWITCH	SAFETY RELAY (INSTALLED ON RIGHT)
ENGINE MODEL	6BB1LL		
VEHICLE	INDUSTRY(XE)		
OLD MODEL RECORD	0-23000-1071 → 2580 → 2581		
DESIGN RECORD	1071 → 2580	SFR CHANGED	
	2580 → 2581	SFR CHANGED	
NOTE	DRIP PROOF $\phi 90$ 0-23000-1071 IS 1070 WITH DRAIN HOLE		

0-23000-2581 STARTING MOTOR (MAKER PART NO 1-81100253-2)

No	Parts Number	Maker Parts No	Description	Qty	List Price	Note
1	7-23100-0070	1-81121037-0	ARMATURE ASSY	1		INCLUDING 1-1,1-2
1-1	1-0456-60037	5-81129155-0	BALL BEARING	1		FRONT
1-2	1-0456-62007	1-81129196-0	BALL BEARING	1		REAR
2	0-23200-0127	8-98155039-0	YOKE ASSY	1		INCLUDING 7-4
3	0-23310-0304	8-98155019-0	FRONT BRACKET CO	1		INCLUDING 3-1
3-1	7-23351-0144	8-98155024-0	METAL	1		FRONT
3-2	7-23320-0010		SHIFT LEVER CO	1		
3-3	1-0530-22002	5-81129142-0	DISH PLUG	1		
3-4	1-23922-0040	5-81129147-0	PLATE	1		
3-5	0-47100-3110	5-81151036-0	MAG.SWITCH ASSY	1		
3-6	0-0275-06222	1-81129419-0	BOLT	2		
3-7	1-0240-06805	1-81129387-0	BOLT	3		
4	7-23120-0110	1-81123024-0	SHAFT ASSY	1		INCLUDING 4-1
4-1	1-0454-60057	1-81129528-0	BALL BEARING	1		CENTER
4-2	1-23181-0030	5-81129145-0	PINION STOPPER	1		
4-3	1-23914-0030	5-81129144-0	CLIP RING	2		
5	0-23500-0015	8-98155028-0	O.R.CLUTCH ASSY	1		
6	1-23611-0222	1-81113082-0	CENTER BRACKET	1		
6-1	1-23611-0211	1-81113081-0	CENTER BRACKET	1		
7	7-23700-0701	1-81115069-0	REAR BRACKET ASSY	1		INCLUDING 7-1~7-6
7-1	1-23710-0050	1-81115070-0	REAR BRACKET CO	1		
7-2	7-23750-0054		BRUSH HOLDER CO	1		INCLUDING 7-3~7-5
7-3	1-23913-0010	5-81117019-0	BRUSH SPRING	4		
7-4	0-24740-0036	8-98197175-0	BRUSH CO	2		(+)
7-5	0-24740-0047	8-98197176-0	BRUSH CO	2		(-)
7-6	0-09001-4180	5-81129241-0	BOLT	2		
7-7	1-23901-0080	5-81129237-0	BOLT	2		THROUGH BOLT
8	0-25000-7812	1-82553055-1	SWITCH	1		
8-1	0-0270-06502	1-81129401-0	BOLT	1		
8-2	1-47927-0920	1-81118039-0	HOLDER	1		
#2	1-23921-0130	5-81129160-0	WASHER	1		
#3	1-23921-0140	5-81129159-0	WASHER	2		FOR ADJUSTMENT
#4	1-23941-0030	5-81129158-0	INSULATE WASHER	1		
#5	1-23921-0150	5-81129156-0	WASHER	2		FOR ADJUSTMENT
※	7-09210-0850	1-81129438-0	SEAL ASSY	1		



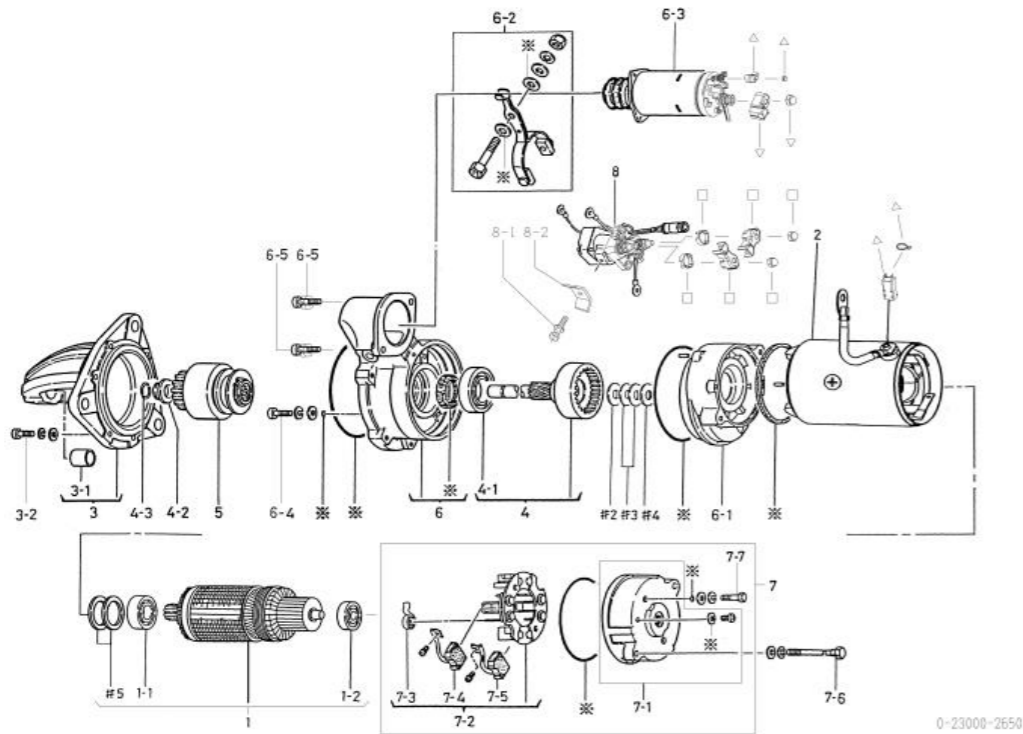
※	7-09210-0850	SEAL ASSY	
	1-09211-1030	O RING	1
	1-09211-1050	O RING	4
	1-09211-1060	O RING	1
	1-09211-1070	O RING	2
	1-23951-0120	PACKING	1
	1-23951-0180	PACKING	1
	0-23952-0012	GUM CAP	1
	1-47952-0353	GUM CAP	1

0-23000-2650 STARTING MOTOR

OEM CUSTOMER	KOMATSU	OEM PARTS NUMBER	600-813-3392
NOMINAL OUTPUT	24V 5.5Kw	SUPPLY TERM	02.07~
WEIGHT	11kg	SWITCH	SAFETY RELAY (INSTALLED ON RIGHT)
ENGINE MODEL	6D105-1AC		
VEHICLE	GD661A-1		
OLD MODEL RECORD	0-23000-1270 → 1273 → 2650		
DESIGN RECORD	1270 → 1273	SFR CHANGED	
	1273 → 2650	JUMPSTART SPECIFICATION, SFR AND MAG.SW CHANGED	
NOTE	WATER PROOF OIL PROOF φ90		

0-23000-2650 STARTING MOTOR (MAKER PART NO 600-813-3392)

No	Parts Number	Maker Parts No	Description	Qty	List Price	Note
1	7-23100-0190		ARMATURE ASSY	1		INCLUDING 1-1,1-2,#5
1-1	1-0454-60047		BALL BEARING	1		FRONT
1-2	1-0454-62007		BALL BEARING	1		REAR
2	0-23200-0235		YOKE ASSY	1		INCLUDING 7-4
3	0-23310-0514		FRONT BRACKET CO	1		INCLUDING 3-1
3-1	7-23351-0146		METAL	1		FRONT
3-2	0-0240-05225		BOLT	6		
4	7-23120-0270		SHAFT ASSY	1		INCLUDING 4-1
4-1	1-0454-60057		BALL BEARING	1		CENTER
4-2	1-23181-0030		PINION STOPPER	1		
4-3	1-23914-0030		CLIP RING	2		
5	0-23500-0254		O.R.CLUTCH ASSY	1		
6	1-23600-0160		CENTER BRACKET ASSY	1		INCLUDING OIL SEAL
6-1	1-23611-0430		CENTER BRACKET	1		
6-2	7-23320-0040		SHIFT LEVER ASSY	1		
6-3	7-47100-0310		MAG.SWITCH ASSY	1		
6-4	0-09001-5010		BOLT	3		
6-5	0-0275-06222		BOLT	2		
7	7-23700-0374		R.BRACKET ASSY	1		INCLUDING 7-1~7-5, 7-7
7-1	0-23700-0080		R.BRACKET ASSY	1		
7-2	7-23750-0064		BRUSH HOLDER CO	1		INCLUDING 7-3~7-5
7-3	1-23913-0010		BRUSH SPRING	4		
7-4	0-24740-0036		BRUSH CO	2		(+)
7-5	0-24740-0047		BRUSH CO	2		(-)
7-6	1-23901-0080		BOLT	2		THROUGH BOLT
7-7	0-09001-4180		BOLT	2		
8	0-25000-6903		SWITCH	1		
8-1	0-0270-06502		BOLT	1		
8-2	1-47927-0920		HOLDER	1		
#2	1-23921-0130		WASHER	1		
#3	1-23921-0140		WASHER	2		FOR ADJUSTMENT
#4	1-23941-0030		INSULATE WASHER	1		
#5	1-21921-0030		WASHER	2		
※	7-09210-2790		SEAL ASSY	1		
△	7-47761-0050		MAG.SWITCH COVER ASSY	1		
□	7-47761-0030		SWITCH COVER ASSY	1		



0-23000-2650

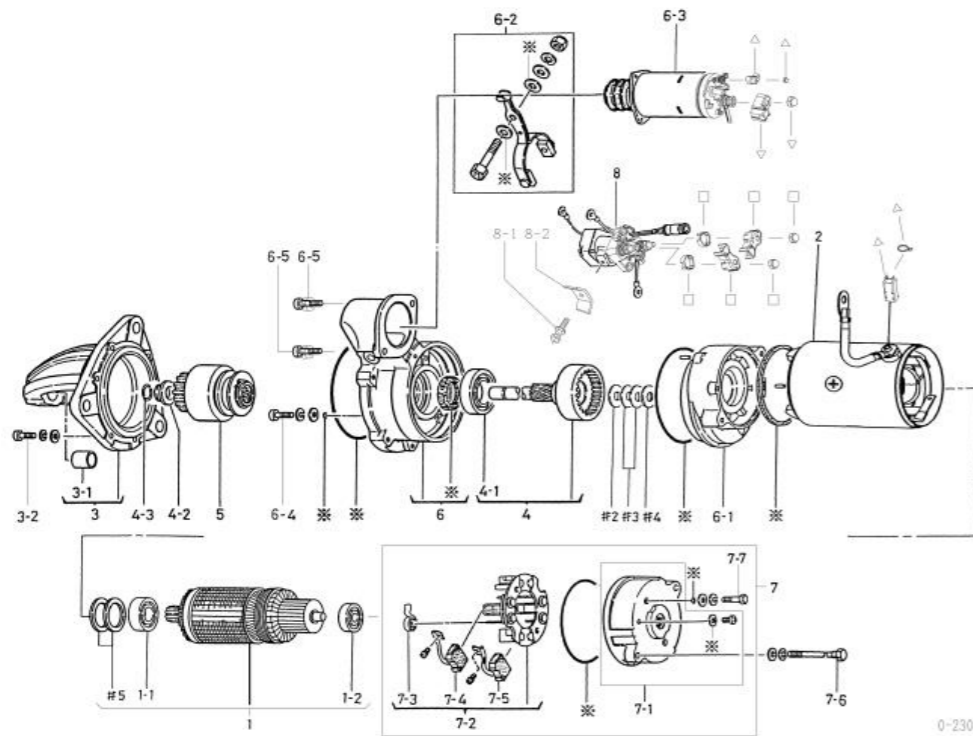
※	7-09210-2790	SEAL ASSY	
	1-0345-05001	SEAL WASHER	1
	1-0345-08001	SEAL WASHER	2
	1-23951-0180	PACKING	1
	1-09210-1020	OIL SEAL	1
	1-09211-0980	O RING	2
	1-09211-1050	O RING	2
	1-09211-1060	O RING	1
	1-09211-1070	O RING	3

0-23000-2656 STARTING MOTOR

OEM CUSTOMER	KOMATSU	OEM PARTS NUMBER	600-813-3393
NOMINAL OUTPUT	24V 5.5Kw	SUPPLY TERM	15.05~
WEIGHT	11kg	SWITCH	SAFETY RELAY (INSTALLED ON RIGHT)
ENGINE MODEL	6D105-1AC		
VEHICLE	GD661A-1		
OLD MODEL RECORD	0-23000-1270 → 1273 → 2650 → 2656		
DESIGN RECORD	1270 → 1273	SFR CHANGED	
	1273 → 2650	JUMPSTART SPECIFICATION, SFR AND MAG.SW CHANGED	
	2650 → 2656	CAUTION PLATE CHANGED	
NOTE	WATER PROOF OIL PROOF φ90		

0-23000-2656 STARTING MOTOR (MAKER PART NO 600-813-3393)

No	Parts Number	Maker Parts No	Description	Qty	List Price	Note
1	7-23100-0190		ARMATURE ASSY	1		INCLUDING 1-1,1-2,#5
1-1	1-0454-60047		BALL BEARING	1		FRONT
1-2	1-0454-62007		BALL BEARING	1		REAR
2	0-23200-0235		YOKE ASSY	1		INCLUDING 7-4
3	0-23310-0514		FRONT BRACKET CO	1		INCLUDING 3-1
3-1	7-23351-0146		METAL	1		FRONT
3-2	0-0240-05225		BOLT	6		
4	7-23120-0270		SHAFT ASSY	1		INCLUDING 4-1
4-1	1-0454-60057		BALL BEARING	1		CENTER
4-2	1-23181-0030		PINION STOPPER	1		
4-3	1-23914-0030		CLIP RING	2		
5	0-23500-0254		O.R.CLUTCH ASSY	1		
6	1-23600-0160		CENTER BRACKET ASSY	1		INCLUDING OIL SEAL
6-1	1-23611-0430		CENTER BRACKET	1		
6-2	7-23320-0040		SHIFT LEVER ASSY	1		
6-3	7-47100-0314		MAG.SWITCH ASSY	1		
6-4	0-09001-5010		BOLT	3		
6-5	0-0275-06222		BOLT	2		
7	7-23700-0374		R.BRACKET ASSY	1		INCLUDING 7-1~7-5, 7-7
7-1	0-23700-0080		R.BRACKET ASSY	1		
7-2	7-23750-0064		BRUSH HOLDER CO	1		INCLUDING 7-3~7-5
7-3	1-23913-0010		BRUSH SPRING	4		
7-4	0-24740-0036		BRUSH CO	2		(+)
7-5	0-24740-0047		BRUSH CO	2		(-)
7-6	1-23901-0080		BOLT	2		THROUGH BOLT
7-7	0-09001-4180		BOLT	2		
8	0-25000-6903		SWITCH	1		
8-1	0-0270-06502		BOLT	1		
8-2	1-47927-0920		HOLDER	1		
#2	1-23921-0130		WASHER	1		
#3	1-23921-0140		WASHER	2		FOR ADJUSTMENT
#4	1-23941-0030		INSULATE WASHER	1		
#5	1-21921-0030		WASHER	2		
※	7-09210-2790		SEAL ASSY	1		
△	7-47761-0050		MAG.SWITCH COVER ASSY	1		
□	7-47761-0030		SWITCH COVER ASSY	1		



0-23000-2656

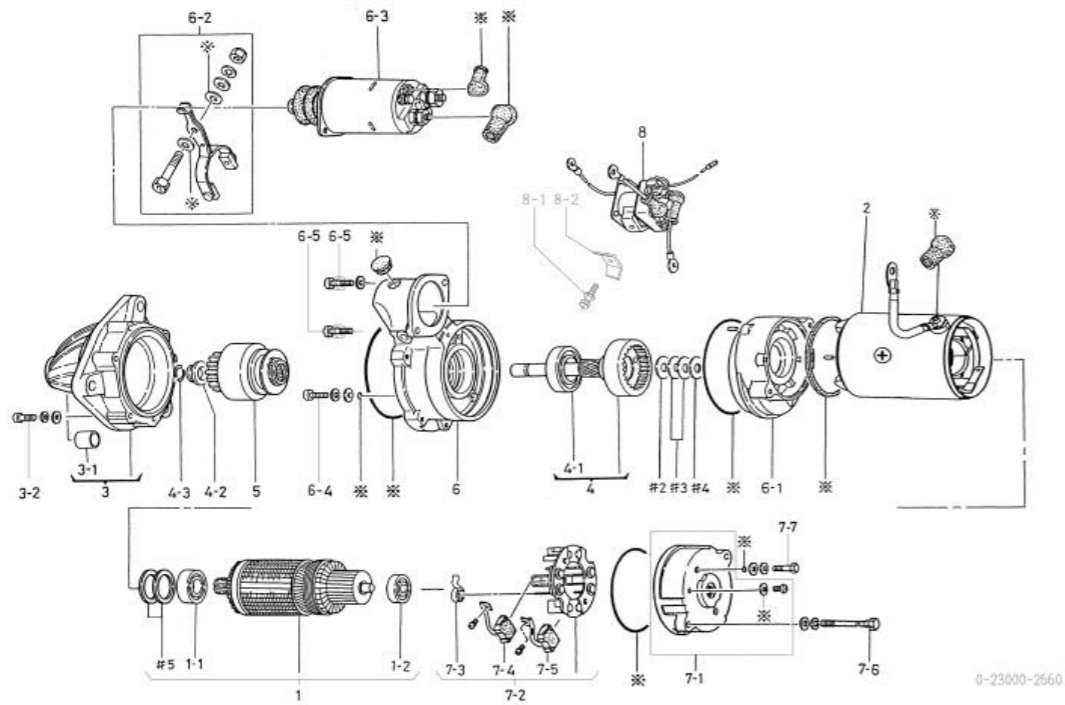
※	7-09210-2790	SEAL ASSY	
	1-0345-05001	SEAL WASHER	1
	1-0345-08001	SEAL WASHER	2
	1-23951-0180	PACKING	1
	1-09210-1020	OIL SEAL	1
	1-09211-0980	O RING	2
	1-09211-1050	O RING	2
	1-09211-1060	O RING	1
	1-09211-1070	O RING	3

0-23000-2660 STARTING MOTOR

OEM CUSTOMER	KOMATSU	OEM PARTS NUMBER	600-813-4291
NOMINAL OUTPUT	24V 5.5Kw	SUPPLY TERM	02.07~
WEIGHT	11kg	SWITCH	SAFETY RELAY (INSTALLED ON RIGHT)
ENGINE MODEL	4D105,6D105		
VEHICLE	EM640A-B		
OLD MODEL RECORD	0-23000-1601 → 1602 → 1603 → 2660		
DESIGN RECORD	1601 → 1602 SFR CHANGED 1602 → 1603 SFR CHANGED 1603 → 2660 SFR, MAG.SW CHANGED ABOLISHMENT OF YELLOW PAINTING.		
NOTE	DLIP PROOF RUST PROOF φ90 1-WIRE MARINE SPECIFICATION		

0-23000-2660 STARTING MOTOR (MAKER PART NO 600-813-4291)

No	Parts Number	Maker Parts No	Description	Qty	List Price	Note
1	7-23100-0190		ARMATURE ASSY	1		INCLUDING 1-1,1-2,#5
1-1	1-0454-60047		BALL BEARING	1		FRONT
1-2	1-0454-62007		BALL BEARING	1		REAR
2	0-23200-0234		YOKE ASSY	1		INCLUDING 7-4
3	0-23310-0514		FRONT BRACKET CO	1		INCLUDING 3-1
3-1	7-23351-0146		METAL	1		FRONT
3-2	0-0240-05225		BOLT	6		
4	7-23120-0270		SHAFT ASSY	1		INCLUDING 4-1
4-1	1-0454-60057		BALL BEARING	1		CENTER
4-2	1-23181-0030		PINION STOPPER	1		
4-3	1-23914-0030		CLIP RING	2		
5	0-23500-0254		O.R.CLUTCH ASSY	1		
6	0-23611-0620		CENTER BRACKET	1		
6-1	1-23611-0430		CENTER BRACKET	1		
6-2	7-23320-0040		SHIFT LEVER ASSY	1		
6-3	0-47100-4964		MAG.SWITCH ASSY	1		
6-4	0-09001-5010		BOLT	3		
6-5	0-0275-06222		BOLT	2		
7-1	0-23700-0080		R.BRACKET CO	1		
7-2	7-23750-0084		BRUSH HOLDER CO	1		INCLUDING 7-3~7-5
7-3	1-23913-0020		BRUSH SPRING	4		
7-4	0-24740-0036		BRUSH CO	2		(+)
7-5	0-24740-0047		BRUSH CO	2		(-)
7-6	1-233901-0080		BOLT	2		THROUGH BOLT
7-7	0-09001-4180		BOLT	2		
8	0-25000-8870		SWITCH	1		
8-1	0-0270-06502		BOLT	1		
8-2	1-47927-0920		HOLDER	1		
#2	1-23921-0130		WASHER	1		
#3	1-23921-0140		WASHER	2		
#4	1-23941-0030		INSULATE WASHER	1		
#5	1-21921-0030		WASHER	2		
※	7-09210-2770		SEAL ASSY	1		
※	7-09210-2770		SEAL ASSY			
	1-0345-05001		SEAL WASHER	1		
	1-0345-08001		SEAL WASHER	2		
	1-23951-0180		PACKING	1		
	1-09211-0980		O RING	2		
	1-09211-1050		O RING	2		
	1-09211-1060		O RING	1		
	1-09211-1070		O RING	3		
	1-09252-0420		GUM CAP	1		
	1-09252-0430		GUM CAP	2		
	1-47953-0081		GUM BUSH	1		



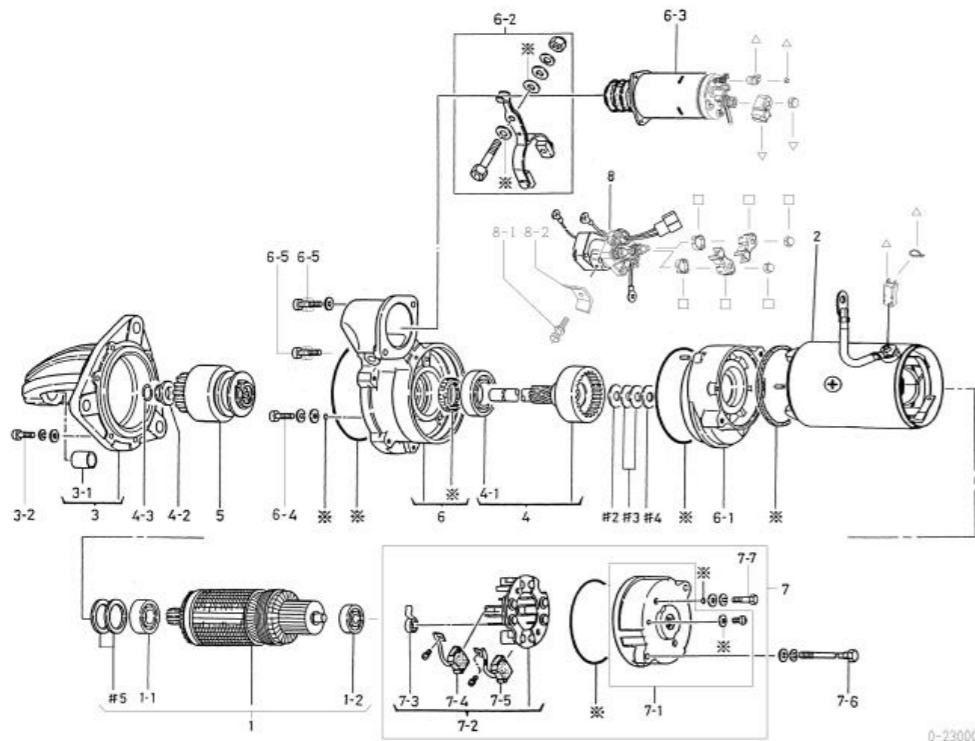
0-23000-2660

0-23000-2670 STARTING MOTOR

OEM CUSTOMER	KOMATSU	OEM PARTS NUMBER	600-813-3282
NOMINAL OUTPUT	24V 5.5Kw	SUPPLY TERM	02.09~
WEIGHT	11kg	SWITCH	SAFETY RELAY (INSTALLED ON RIGHT)
ENGINE MODEL	6D105		
VEHICLE	D40A-3,D40P-3		
OLD MODEL RECORD	0-23000-1162 → 1163 → 2670		
DESIGN RECORD	1162 → 1163	SFR CHANGED	
	1163 → 2670	JUMPSTART SPECIFICATION, SFR AND MAG.SW CHANGED	
NOTE	WATER PROOF OIL PROOF φ90		

0-23000-2670 STARTING MOTOR (MAKER PART NO 600-813-3282)

No	Parts Number	Maker Parts No	Description	Qty	List Price	Note
1	7-23100-0190		ARMATURE ASSY	1		INCLUDING 1-1,1-2,#5
1-1	1-0454-60047		BALL BEARING	1		FRONT
1-2	1-0454-62007		BALL BEARING	1		REAR
2	0-23200-0235		YOKE ASSY	1		INCLUDING 7-4
3	0-23310-0514		FRONT BRACKET CO	1		INCLUDING 3-1
3-1	7-23351-0146		METAL	1		FRONT
3-2	0-0240-05225		BOLT	6		
4	7-23120-0270		SHAFT ASSY	1		INCLUDING 4-1
4-1	1-0454-60057		BALL BEARING	1		CENTER
4-2	1-23181-0030		PINION STOPPER	1		
4-3	1-23914-0030		CLIP RING	2		
5	0-23500-0254		O.R.CLUTCH ASSY	1		
6	1-23600-0160		CENTER BRACKET ASSY	1		INCLUDING OIL SEAL
6-1	1-23611-0430		CENTER BRACKET	1		
6-2	7-23320-0040		SHIFT LEVER ASSY	1		
6-3	7-47100-0310		MAG.SWITCH ASSY	1		
6-4	0-09001-5010		BOLT	3		
6-5	0-0275-06222		BOLT	2		
7	7-23700-0374		R.BRACKET ASSY	1		INCLUDING 7-1~7-5,7-7
7-1	0-23700-0080		R.BRACKET ASSY	1		
7-2	7-23750-0064		BRUSH HOLDER CO	1		INCLUDING 7-3~7-5
7-3	1-23913-0010		BRUSH SPRING	4		
7-4	0-24740-0036		BRUSH CO	2		(+)
7-5	0-24740-0047		BRUSH CO	2		(-)
7-6	1-23901-0080		BOLT	2		THROUGH BOLT
7-7	0-09001-4180		BOLT	2		
8	0-25000-8112		SWITCH	1		
8-1	0-0270-06502		BOLT	1		
8-2	1-47927-0920		HOLDER	1		
#2	1-23921-0130		WASHER	1		
#3	1-23921-0140		WASHER	2		FOR ADJUSTMENT
#4	1-23941-0030		INSULATE WASHER	1		
#5	1-21921-0030		WASHER	2		
※	7-09210-2790		SEAL ASSY	1		
△	7-47761-0050		MAG.SWITCH COVER ASSY	1		
□	7-47761-0030		SWITCH COVER ASSY	1		



0-23000-2670

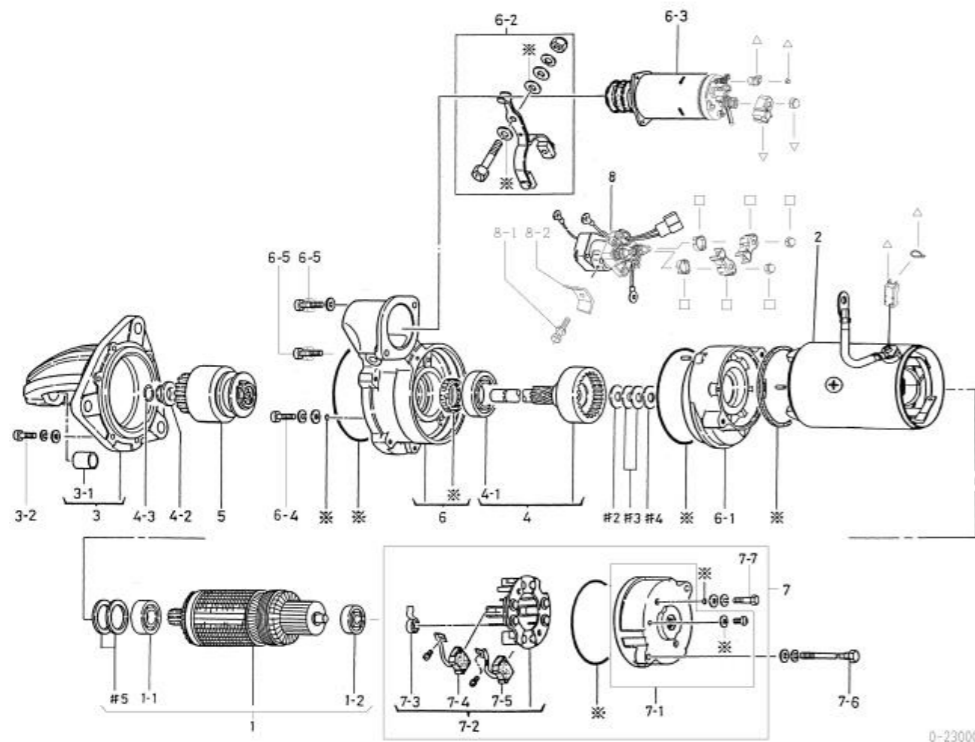
※	7-09210-2790	SEAL ASSY	
	1-0345-05001	SEAL WASHER	1
	1-0345-08001	SEAL WASHER	2
	1-23951-0180	PACKING	1
	1-09210-1020	OIL SEAL	1
	1-09211-0980	O RING	2
	1-09211-1050	O RING	2
	1-09211-1060	O RING	1
	1-09211-1070	O RING	3

0-23000-2675 STARTING MOTOR

OEM CUSTOMER	KOMATSU	OEM PARTS NUMBER	600-813-3283
NOMINAL OUTPUT	24V 5.5Kw	SUPPLY TERM	15.05~
WEIGHT	11kg	SWITCH	SAFETY RELAY (INSTALLED ON RIGHT)
ENGINE MODEL	6D105		
VEHICLE	D40A-3,D40P-3		
OLD MODEL RECORD	0-23000-1162 → 1163 → 2670 → 2675		
DESIGN RECORD	1162 → 1163	SFR CHANGED	
	1163 → 2670	JUMPSTART SPECIFICATION, SFR AND MAG.SW CHANGED	
	2670 → 2675	CAUTION PLATE CHANGED	
NOTE	WATER PROOF OIL PROOF φ90		

0-23000-2675 STARTING MOTOR (MAKER PART NO 600-813-3283)

No	Parts Number	Maker Parts No	Description	Qty	List Price	Note
1	7-23100-0190		ARMATURE ASSY	1		INCLUDING 1-1,1-2,#5
1-1	1-0454-60047		BALL BEARING	1		FRONT
1-2	1-0454-62007		BALL BEARING	1		REAR
2	0-23200-0235		YOKE ASSY	1		INCLUDING 7-4
3	0-23310-0514		FRONT BRACKET CO	1		INCLUDING 3-1
3-1	7-23351-0146		METAL	1		FRONT
3-2	0-0240-05225		BOLT	6		
4	7-23120-0270		SHAFT ASSY	1		INCLUDING 4-1
4-1	1-0454-60057		BALL BEARING	1		CENTER
4-2	1-23181-0030		PINION STOPPER	1		
4-3	1-23914-0030		CLIP RING	2		
5	0-23500-0254		O.R.CLUTCH ASSY	1		
6	1-23600-0160		CENTER BRACKET ASSY	1		INCLUDING OIL SEAL
6-1	1-23611-0430		CENTER BRACKET	1		
6-2	7-23320-0040		SHIFT LEVER ASSY	1		
6-3	7-47100-0314		MAG.SWITCH ASSY	1		
6-4	0-09001-5010		BOLT	3		
6-5	0-0275-06222		BOLT	2		
7	7-23700-0374		R.BRACKET ASSY	1		INCLUDING 7-1~7-5,7-7
7-1	0-23700-0080		R.BRACKET ASSY	1		
7-2	7-23750-0064		BRUSH HOLDER CO	1		INCLUDING 7-3~7-5
7-3	1-23913-0010		BRUSH SPRING	4		
7-4	0-24740-0036		BRUSH CO	2		(+)
7-5	0-24740-0047		BRUSH CO	2		(-)
7-6	1-23901-0080		BOLT	2		THROUGH BOLT
7-7	0-09001-4180		BOLT	2		
8	0-25000-8112		SWITCH	1		
8-1	0-0270-06502		BOLT	1		
8-2	1-47927-0920		HOLDER	1		
#2	1-23921-0130		WASHER	1		
#3	1-23921-0140		WASHER	2		FOR ADJUSTMENT
#4	1-23941-0030		INSULATE WASHER	1		
#5	1-21921-0030		WASHER	2		
※	7-09210-2790		SEAL ASSY	1		
△	7-47761-0050		MAG.SWITCH COVER ASSY	1		
□	7-47761-0030		SWITCH COVER ASSY	1		



0-23000-2675

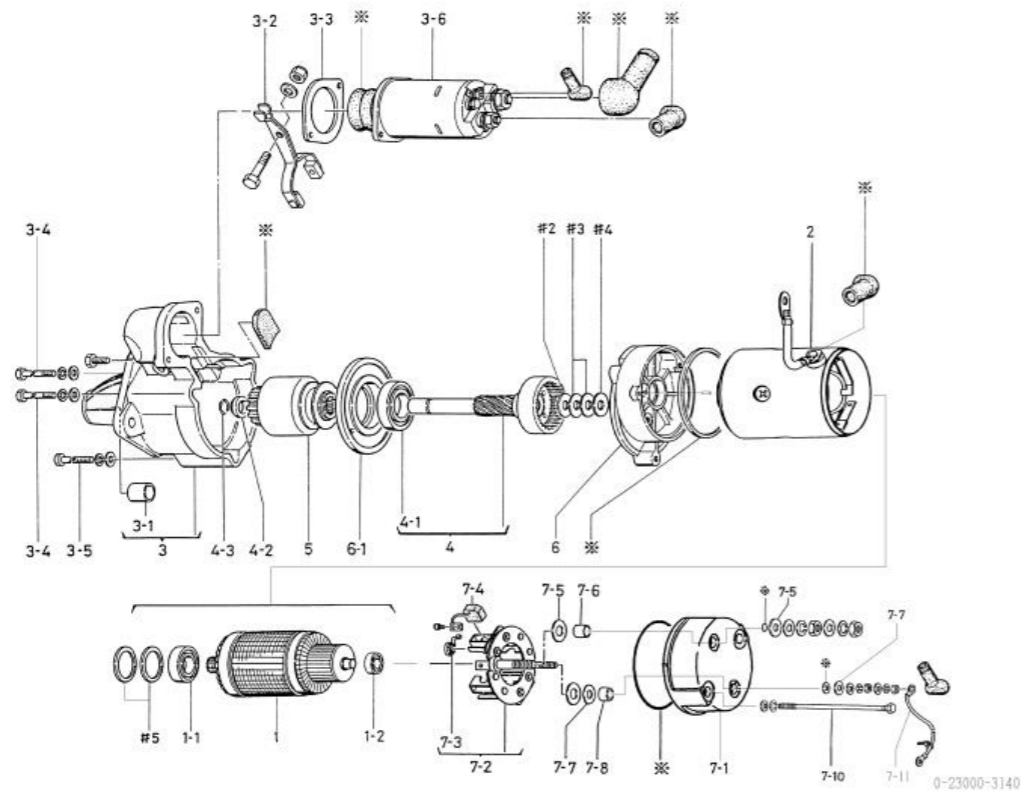
※	7-09210-2790	SEAL ASSY	
	1-0345-05001	SEAL WASHER	1
	1-0345-08001	SEAL WASHER	2
	1-23951-0180	PACKING	1
	1-09210-1020	OIL SEAL	1
	1-09211-0980	O RING	2
	1-09211-1050	O RING	2
	1-09211-1060	O RING	1
	1-09211-1070	O RING	3

0-23000-3140 STARTING MOTOR

OEM CUSTOMER	MITSUI ZOSEN	OEM PARTS NUMBER	004413390
NOMINAL OUTPUT	24V 5.5Kw	SUPPLY TERM	83.09~
WEIGHT	9.7kg	SWITCH	
ENGINE MODEL	BF5L913		
VEHICLE	MARINE		
OLD MODEL RECORD			
DESIGN RECORD			
NOTE	DRIP PROOF ϕ 100 2-WIRE MARINE SPECIFICATION MARINE SPECIFICATION OF 0-23000-3130		

0-23000-3140 STARTING MOTOR (MAKER PART NO 004413390)

No	Parts Number	Maker Parts No	Description	Qty	List Price	Note
1	0-23100-0131		ARMATURE CO	1		
1-1	1-0454-60037	24411160	BALL BEARING	1		FRONT
1-2	1-0454-62007	24411180	BALL BEARING	1		REAR
2	0-23200-0204		YOKE ASSY	1		INC 2 UNITS 7-4
3	0-23310-0454		FRONT BRACKET CO	1		INCLUDING 3-1
3-1	7-23351-0144		METAL	1		FRONT
3-2	1-23320-0030		SHIFT LEVER CO	1		
3-3	1-23922-0120		PLATE	1		
3-4	1-09001-4430		BOLT	2		
3-5	1-0240-06805		BOLT	1		
3-6	0-47100-3600		MAG.SWITCH ASSY	1		
4	7-23120-0110		SHAFT ASSY	1		INCLUDING 4-1
4-1	1-0454-60057	24411100	BALL BEARING	1		CENTER
4-2	1-23181-0030	204411080	PINION STOPPER	1		
4-3	1-23914-0030		CLIP RING	2		
5	0-23500-0015		O.R.CLUTCH ASSY	1		
6	1-23611-0390		CENTER BRACKET	1		
6-1	1-23611-0210		CENTER BRACKET	1		
7-1	1-23711-0190		R.BRACKET	1		
7-2	7-23750-0104		BRUSH HOLDER CO	1		INCLUDING 7-3,7-4
7-3	1-23913-0020		BRUSH SPRING	4		
7-4	0-23740-0014		BRUSH CO	4		
7-5	1-21941-0430		INSULATE WASHER	2		
7-6	1-21944-1240		INSULATE TUBE	1		
7-7	1-23941-0010		INSULATE WASHER	2		
7-8	1-23944-0050		INSULATE TUBE	1		
7-10	0-09001-4410		BOLT	2		THROUGH BOLT
7-11	1-23785-0180		LEAD WIRE CO	1		
#2	1-23921-0130		WASHER	1		
#3	1-23921-0140		WASHER	2		FOR ADJUSTMENT
#4	1-23941-0030		INSULATE WASHER	1		
#5	1-23921-0150		WASHER	2		FOR ADJUSTMENT
※	7-09210-3120		SEAL ASSY	1		



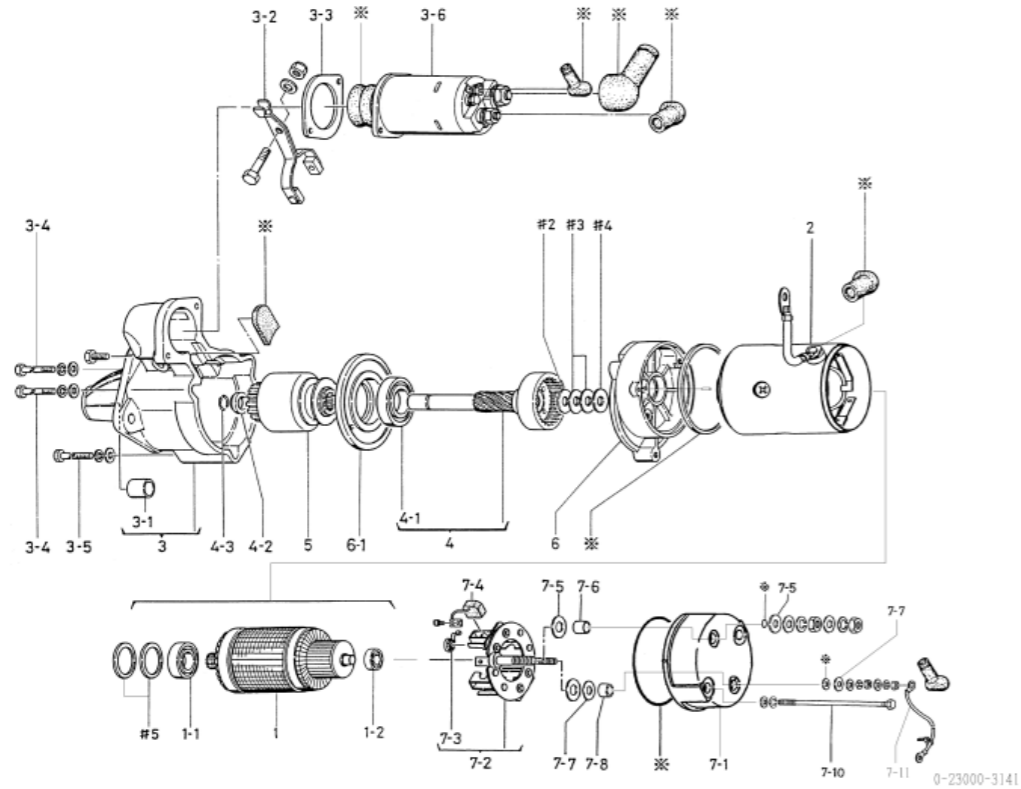
※	7-09210-3120	SEAL ASSY	
	1-0506-01001	O RING	1
	1-0505-00601	O RING	2
	1-09252-0211	GUM CAP	2
	1-09252-0391	GUM CAP	3
	1-09252-0430	GUM CAP	2
	1-23951-0010	PACKING	1
	1-23951-0020	PACKING	1
	1-23951-0120	PACKING	1
	1-21951-1910	PACKING	1
	1-47952-0353	GUM CAP	1

0-23000-3141 STARTING MOTOR

OEM CUSTOMER	MITSUI ZOSEN	OEM PARTS NUMBER	004413730
NOMINAL OUTPUT	24V 5.5Kw	SUPPLY TERM	83.11~
WEIGHT	9.7kg	SWITCH	
ENGINE MODEL	BF5L913		
VEHICLE	MARINE		
OLD MODEL RECORD			
DESIGN RECORD			
NOTE	DRIP PROOF ϕ 100 2-WIRE MARINE SPECIFICATION 0-23000-3140 MODIFIED TO MEET JG STANDARD		

0-23000-3141 STARTING MOTOR (MAKER PART NO 004413730)

No	Parts Number	Maker Parts No	Description	Qty	List Price	Note
1	0-23100-0131		ARMATURE CO	1		
1-1	1-0454-60037	24411160	BALL BEARING	1		FRONT
1-2	1-0454-62007	24411180	BALL BEARING	1		REAR
2	0-23200-0204		YOKE ASSY	1		INC 2 UNITS 7-4
3	0-23310-0454		FRONT BRACKET CO	1		INCLUDING 3-1
3-1	7-23351-0144		METAL	1		FRONT
3-2	1-23320-0030		SHIFT LEVER CO	1		
3-3	1-23922-0120		PLATE	1		
3-4	1-09001-4430		BOLT	2		
3-5	1-0240-06805		BOLT	1		
3-6	0-47100-3600		MAG.SWITCH ASSY	1		
4	7-23120-0110		SHAFT ASSY	1		INCLUDING 4-1
4-1	1-0454-60057	24411100	BALL BEARING	1		CENTER
4-2	1-23181-0030	204411080	PINION STOPPER	1		
4-3	1-23914-0030		CLIP RING	2		
5	0-23500-0015		O.R.CLUTCH ASSY	1		
6	1-23611-0390		CENTER BRACKET	1		
6-1	1-23611-0210		CENTER BRACKET	1		
7-1	1-23711-0190		R.BRACKET	1		
7-2	7-23750-0104		BRUSH HOLDER CO	1		INCLUDING 7-3,7-4
7-3	1-23913-0020		BRUSH SPRING	4		
7-4	0-23740-0014		BRUSH CO	4		
7-5	1-21941-0430		INSULATE WASHER	2		
7-6	1-21944-1240		INSULATE TUBE	1		
7-7	1-23941-0010		INSULATE WASHER	2		
7-8	1-23944-0050		INSULATE TUBE	1		
7-10	0-09001-4410		BOLT	2		THROUGH BOLT
7-11	1-23785-0180		LEAD WIRE CO	1		
#2	1-23921-0130		WASHER	1		
#3	1-23921-0140		WASHER	2		FOR ADJUSTMENT
#4	1-23941-0030		INSULATE WASHER	1		
#5	1-23921-0150		WASHER	2		FOR ADJUSTMENT
※	7-09210-3120		SEAL ASSY	1		



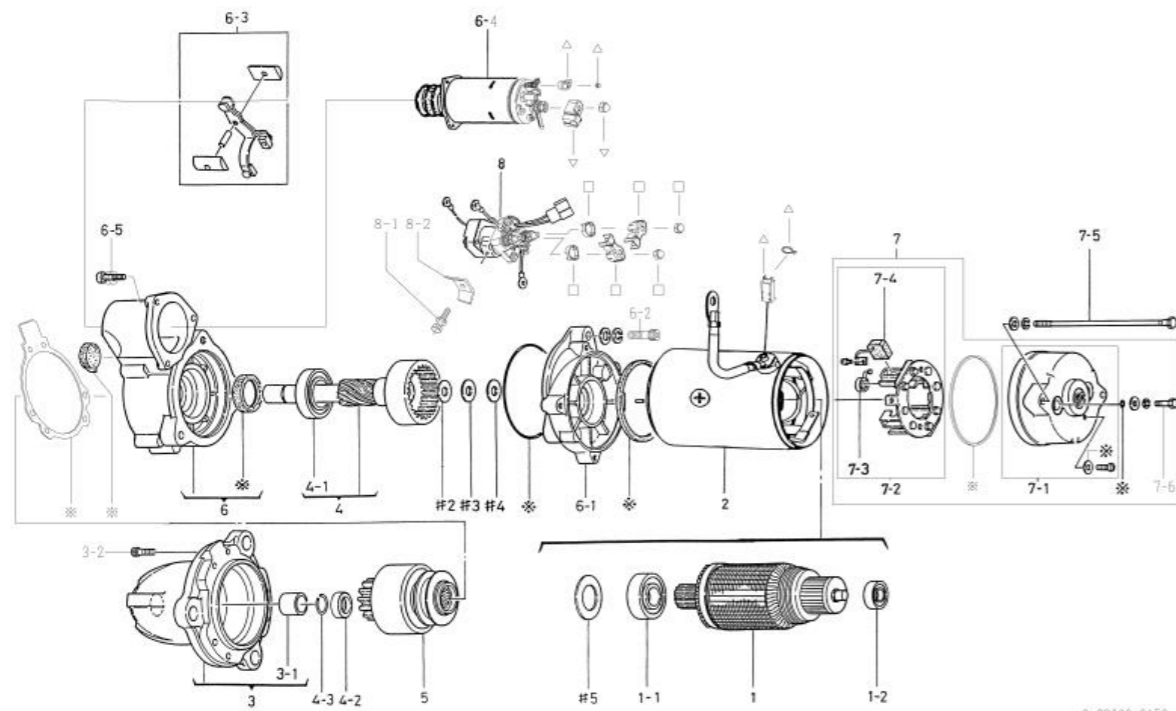
※	7-09210-3120	SEAL ASSY	
	1-0506-01001	O RING	1
	1-0505-00601	O RING	2
	1-09252-0211	GUM CAP	2
	1-09252-0391	GUM CAP	3
	1-09252-0430	GUM CAP	2
	1-21951-1910	PACKING	1
	1-23951-0010	PACKING	1
	1-23951-0020	PACKING	1
	1-23951-0120	PACKING	1
	1-47952-0353	GUM CAP	1

0-23000-3153 STARTING MOTOR

OEM CUSTOMER	KOMATSU	OEM PARTS NUMBER	600-813-4533
NOMINAL OUTPUT	24V 7.5Kw	SUPPLY TERM	02.07~
WEIGHT	15.5kg	SWITCH	SAFETY RELAY (INSTALLED ON RIGHT)
ENGINE MODEL	6D125E-2		
VEHICLE	D50, D60		
OLD MODEL RECORD	0-23000-3150 → 3151 → 3152 → 3153		
DESIGN RECORD	3150 → 3151 SFR CHANGED 3151 → 3152 SFR CHANGED 3152 → 3153 JUMP START SPECIFICATION, SFR AND MAG.SW CHANGED		
NOTE	WATER PROOF OIL PROOF φ101.5		

0-23000-3153 STARTING MOTOR (MAKER PART NO 600-813-4533)

No	Parts Number	Maker Parts No	Description	Qty	List Price	Note
1	0-23100-0251		ARMATURE CO	1		
1-1	1-0454-62047		BALL BEARING	1		FRONT
1-2	1-0454-62007		BALL BEARING	1		REAR
2	0-23200-0334		YOKE ASSY	1		INC 2 UNITS 7-4
3	0-23310-0866		FRONT BRACKET CO	1		INCLUDING 3-1
3-1	7-23351-0085		METAL	1		FRONT
3-2	1-0240-06305		BOLT	6		
4	7-23120-0310		SHAFT ASSY	1		INCLUDING 4-1
4-1	1-0454-60067		BALL BEARING	1		CENTER
4-2	1-23181-0020		PINION STOPPER	1		
4-3	1-23914-0020		CLIP RING	1		
5	0-23500-0174		O.R.CLUTCH ASSY	1		
6	0-23600-0250		CENTER BRACKET ASSY	1		INCLUDING OIL SEAL
6-1	0-23611-0692		CENTER BRACKET	1		
6-2	1-0240-08405		BOLT	3		
6-3	7-23320-0060		SHIFT LEVER ASSY	1		
6-4	7-47100-0234		MAG.SWITCH ASSY	1		
6-5	0-0274-06202		BOLT	3		
7	7-23700-0524		R.BRACKET ASSY	1		INCLUDING 7-1~7-4,7-6
7-1	0-23700-0130		R.BRACKET ASSY	1		
7-2	7-23750-0124		BRUSH HOLDER CO	1		INCLUDING 7-3,7-4
7-3	1-23913-0040		BRUSH SPRING	4		
7-4	0-23740-0254		BRUSH CO	4		
7-5	0-23901-0170		BOLT	2		THROUGH BOLT
7-6	0-09001-4580		BOLT	2		
8	0-25000-8641		SWITCH	1		
8-1	0-0270-06402		BOLT	1		
8-2	1-47927-1250		HOLDER	1		
#2	1-23921-0130		WASHER	1		
#3	1-23921-0140		WASHER	1		FOR ADJUSTMENT
#4	1-23941-0040		INSULATE WASHER	1		
#5	0-23921-0230		WASHER	1		FOR ADJUSTMENT
※	7-09210-2820		SEAL ASSY	1		
△	7-47761-0010		MAG.SWITCH COVER ASSY	1		
□	7-47761-0030		SWITCH COVER ASSY	1		



0-23000-3153

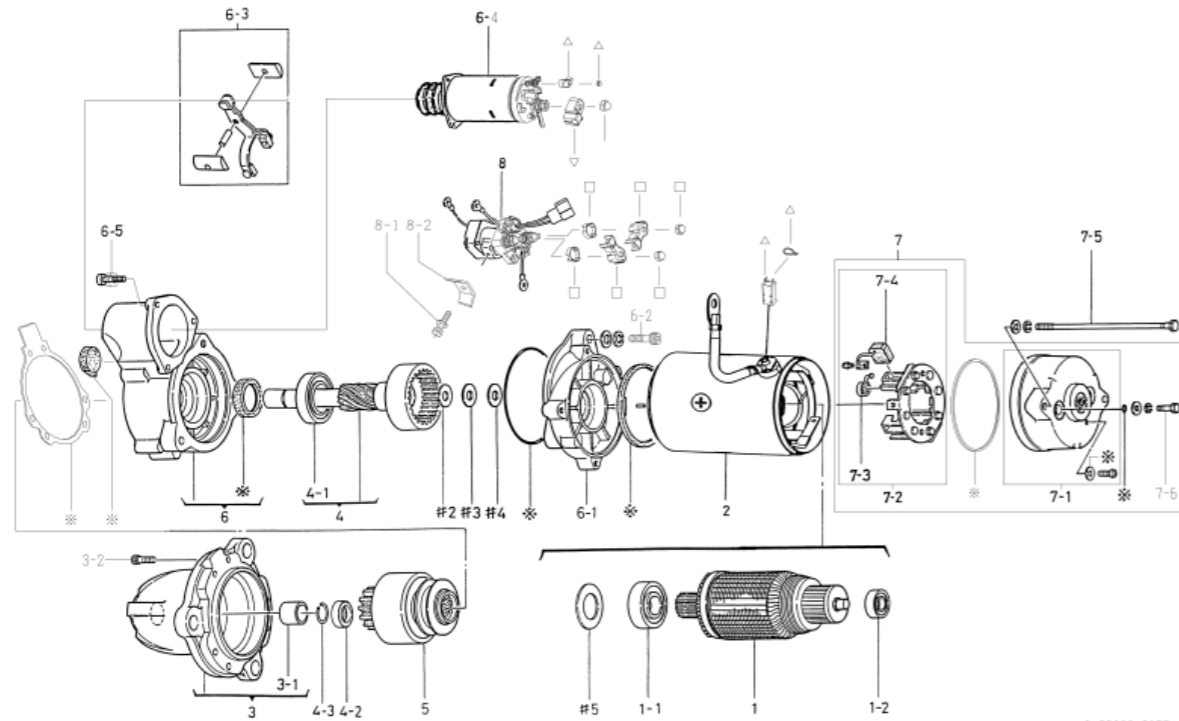
※	7-09210-2820	SEAL ASSY	
	1-0345-05001	SEAL WASHER	1
	0-23951-0471	PACKING	1
	0-23951-0331	PACKING	1
	1-23951-0020	PACKING	1
	1-09210-1040	OIL SEAL	1
	1-0505-00601	O RING	2
	1-09211-0980	O RING	2

0-23000-3155 STARTING MOTOR

OEM CUSTOMER	KOMATSU	OEM PARTS NUMBER	600-813-4534
NOMINAL OUTPUT	24V 7.5Kw	SUPPLY TERM	15.05~
WEIGHT	15.5kg	SWITCH	SAFETY RELAY (INSTALLED ON RIGHT)
ENGINE MODEL	6D125E-2		
VEHICLE	D50, D60		
OLD MODEL RECORD	0-23000-3150 → 3151 → 3152 → 3153 → 3155		
DESIGN RECORD	3150 → 3151 SFR CHANGED 3151 → 3152 SFR CHANGED 3152 → 3153 JUMP START SPECIFICATION, SFR AND MAG.SW CHANGED 3153 → 3155 CAUTION PLATE CHANGED		
NOTE	WATER PROOF OIL PROOF φ101.5		

0-23000-3155 STARTING MOTOR (MAKER PART NO 600-813-4534)

No	Parts Number	Maker Parts No	Description	Qty	List Price	Note
1	0-23100-0251		ARMATURE CO	1		
1-1	1-0454-62047		BALL BEARING	1		FRONT
1-2	1-0454-62007		BALL BEARING	1		REAR
2	0-23200-0334		YOKE ASSY	1		INC 2 UNITS 7-4
3	0-23310-0866		FRONT BRACKET CO	1		INCLUDING 3-1
3-1	7-23351-0085		METAL	1		FRONT
3-2	1-0240-06305		BOLT	6		
4	7-23120-0310		SHAFT ASSY	1		INCLUDING 4-1
4-1	1-0454-60067		BALL BEARING	1		CENTER
4-2	1-23181-0020		PINION STOPPER	1		
4-3	1-23914-0020		CLIP RING	1		
5	0-23500-0174		O.R.CLUTCH ASSY	1		
6	0-23600-0250		CENTER BRACKET ASSY	1		INCLUDING OIL SEAL
6-1	0-23611-0692		CENTER BRACKET	1		
6-2	1-0240-08405		BOLT	3		
6-3	7-23320-0060		SHIFT LEVER ASSY	1		
6-4	7-47100-0234		MAG.SWITCH ASSY	1		
6-5	0-0274-06202		BOLT	3		
7	7-23700-0524		R.BRACKET ASSY	1		INCLUDING 7-1~7-4,7-6
7-1	0-23700-0130		R.BRACKET ASSY	1		
7-2	7-23750-0124		BRUSH HOLDER CO	1		INCLUDING 7-3,7-4
7-3	1-23913-0040		BRUSH SPRING	4		
7-4	0-23740-0254		BRUSH CO	4		
7-5	0-23901-0170		BOLT	2		THROUGH BOLT
7-6	0-09001-4580		BOLT	2		
8	0-25000-8641		SWITCH	1		
8-1	0-0270-06402		BOLT	1		
8-2	1-47927-1250		HOLDER	1		
#2	1-23921-0130		WASHER	1		
#3	1-23921-0140		WASHER	1		FOR ADJUSTMENT
#4	1-23941-0040		INSULATE WASHER	1		
#5	0-23921-0230		WASHER	1		FOR ADJUSTMENT
※	7-09210-2820		SEAL ASSY	1		
△	7-47761-0010		MAG.SWITCH COVER ASSY	1		
□	7-47761-0030		SWITCH COVER ASSY	1		



0-23000-3155

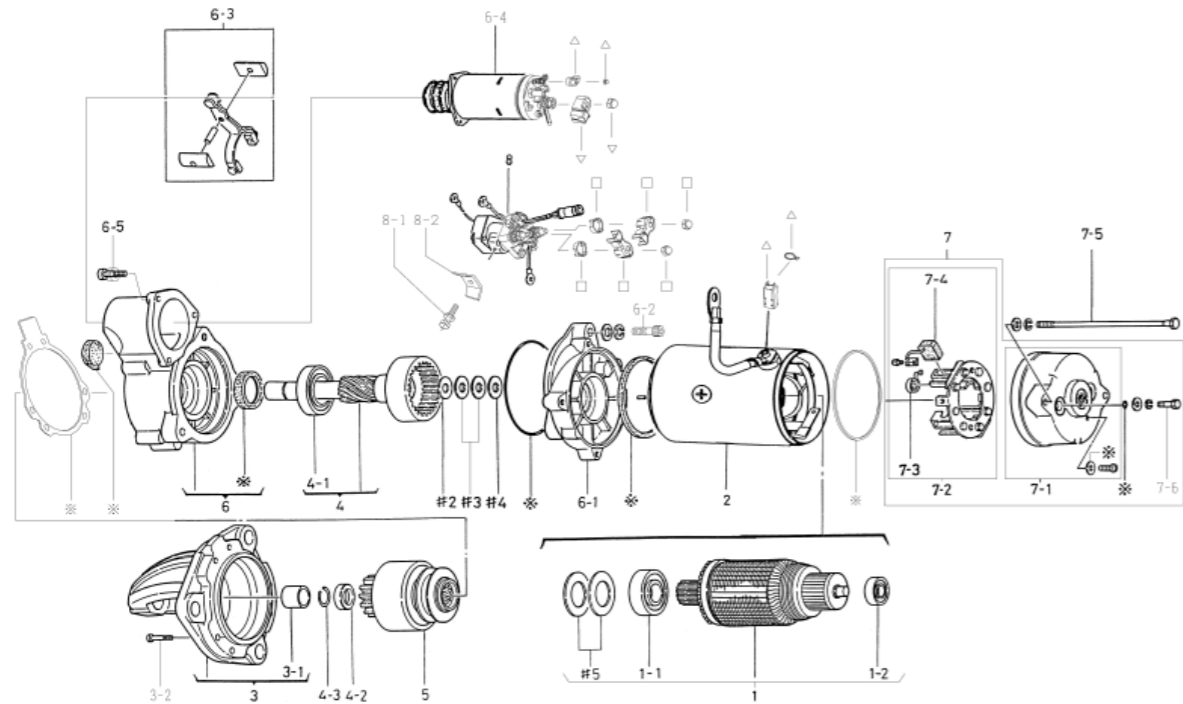
※	7-09210-2820	SEAL ASSY	
	1-0345-05001	SEAL WASHER	1
	0-23951-0471	PACKING	1
	0-23951-0331	PACKING	1
	1-23951-0020	PACKING	1
	1-09210-1040	OIL SEAL	1
	1-0505-00601	O RING	2
	1-09211-0980	O RING	2

0-23000-3173 STARTING MOTOR

OEM CUSTOMER	KOMATSU	OEM PARTS NUMBER	600-813-4652
NOMINAL OUTPUT	24V 7.5Kw	SUPPLY TERM	02.07~
WEIGHT	15.5kg	SWITCH	SAFETY RELAY (INSTALLED ON RIGHT)
ENGINE MODEL	WA350		
VEHICLE	S(A)6D110		
OLD MODEL RECORD	0-23000-3170 → 3172 → 3173		
DESIGN RECORD	3170 → 3172 SFR CHANGED 3172 → 3173 JUMP START SPECIFICATION, SFR AND MAG.SW CHANGED		
NOTE	WATER PROOF OIL PROOF φ101.5		

0-23000-3173 STARTING MOTOR (MAKER PART NO 600-813-4652)

No	Parts Number	Maker Parts No	Description	Qty	List Price	Note
1	7-23100-0310		ARMATURE ASSY	1		INCLUDING 1-1,1-2,#5
1-1	1-0454-62047		BALL BEARING	1		FRONT
1-2	1-0454-62007		BALL BEARING	1		REAR
2	0-23200-0334		YOKE ASSY	1		INC 2 UNITS 7-4
3	0-23310-0744		FRONT BRACKET CO	1		INCLUDING 3-1
3-1	7-23351-0085		METAL	1		FRONT
3-2	1-0240-06255		BOLT	6		
4	7-23120-0310		SHAFT ASSY	1		INCLUDING 4-1
4-1	1-0454-60067		BALL BEARING	1		CENTER
4-2	1-23181-0020		PINION STOPPER	1		
4-3	1-23914-0020		CLIP RING	1		
5	0-23500-0194		O.R.CLUTCH ASSY	1		
6	0-23600-0230		CENTER BRACKET ASSY	1		INCLUDING OIL SEAL
6-1	0-23611-0692		CENTER BRACKET	1		
6-2	1-0240-08405		BOLT	3		
6-3	7-23320-0060		SHIFT LEVER ASSY	1		
6-4	7-47100-0234		MAG.SWITCH ASSY	1		
6-5	0-0274-06202		BOLT	3		
7	7-23700-0524		R.BRACKET ASSY	1		INCLUDING 7-1~7-4,7-6
7-1	0-23700-0130		R.BRACKET ASSY	1		
7-2	7-23750-0124		BRUSH HOLDER CO	1		INCLUDING 7-3,7-4
7-3	1-23913-0040		BRUSH SPRING	4		
7-4	0-23740-0254		BRUSH CO	4		
7-5	0-23901-0170		BOLT	2		THROUGH BOLT
7-6	0-09001-4580		BOLT	2		
8	0-25000-8372		SWITCH	1		
8-1	0-0270-06402		BOLT	1		
8-2	1-47927-1250		HOLDER	1		
#2	1-23921-0130		WASHER	1		
#3	1-23921-0140		WASHER	2		FOR ADJUSTMENT
#4	1-23941-0040		INSULATE WASHER	1		
#5	0-23921-0230		WASHER	2		FOR ADJUSTMENT
※	7-09210-2800		SEAL ASSY	1		
△	7-47761-0010		MAG.SWITCH COVER ASSY	1		
□	7-47761-0030		SWITCH COVER ASSY	1		



0-23000-3173

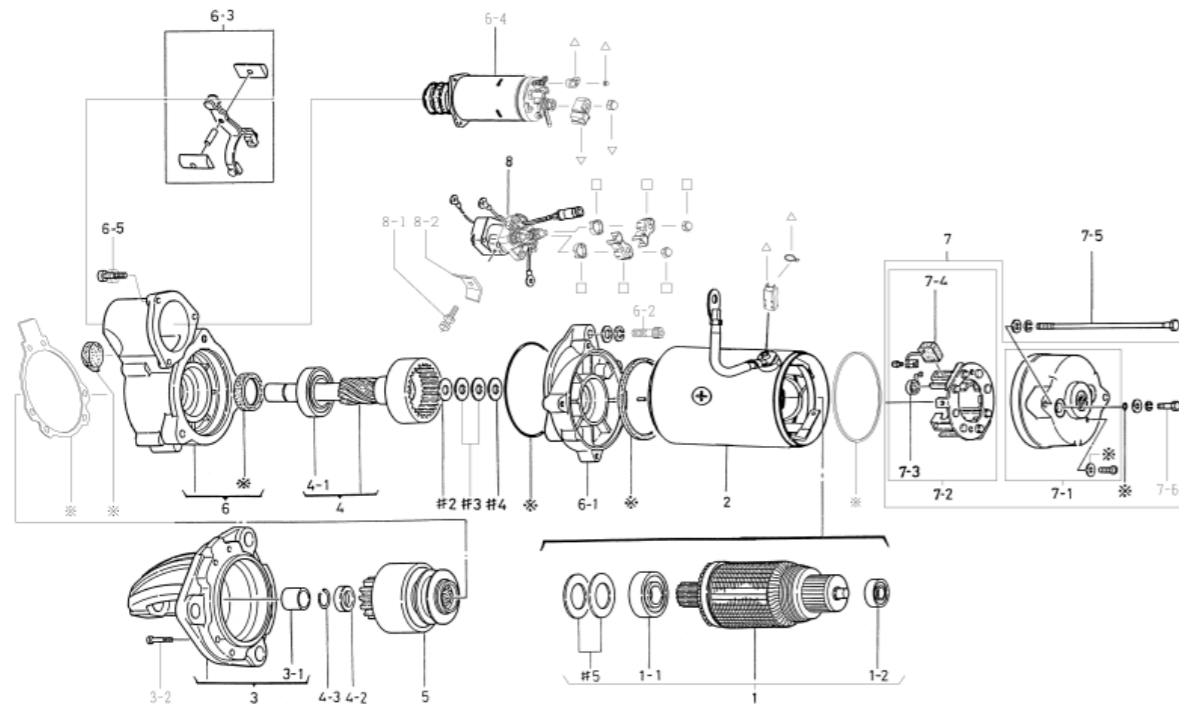
※	7-09210-2800	SEAL ASSY	
	1-0345-05001	SEAL WASHER	1
	0-23951-0490	PACKING	1
	0-23951-0331	PACKING	1
	1-23951-0020	PACKING	1
	1-09210-1060	OIL SEAL	1
	1-0505-00601	O RING	2
	1-09211-0980	O RING	2

0-23000-3175 STARTING MOTOR

OEM CUSTOMER	KOMATSU	OEM PARTS NUMBER	600-813-4653
NOMINAL OUTPUT	24V 7.5Kw	SUPPLY TERM	15.05~
WEIGHT	15.5kg	SWITCH	SAFETY RELAY (INSTALLED ON RIGHT)
ENGINE MODEL	WA350		
VEHICLE	S(A)6D110		
OLD MODEL RECORD	0-23000-3170 → 3172 → 3173 → 3175		
DESIGN RECORD	3170 → 3172	SFR CHANGED	
	3172 → 3173	JUMP START SPECIFICATION, SFR AND MAG.SW CHANGED	
	3173 → 3175	CAUTION PLATE CHANGED	
NOTE	WATER PROOF OIL PROOF φ101.5		

0-23000-3173 STARTING MOTOR (MAKER PART NO 600-813-4653)

No	Parts Number	Maker Parts No	Description	Qty	List Price	Note
1	7-23100-0310		ARMATURE ASSY	1		INCLUDING 1-1,1-2,#5
1-1	1-0454-62047		BALL BEARING	1		FRONT
1-2	1-0454-62007		BALL BEARING	1		REAR
2	0-23200-0334		YOKE ASSY	1		INC 2 UNITS 7-4
3	0-23310-0744		FRONT BRACKET CO	1		INCLUDING 3-1
3-1	7-23351-0085		METAL	1		FRONT
3-2	1-0240-06255		BOLT	6		
4	7-23120-0310		SHAFT ASSY	1		INCLUDING 4-1
4-1	1-0454-60067		BALL BEARING	1		CENTER
4-2	1-23181-0020		PINION STOPPER	1		
4-3	1-23914-0020		CLIP RING	1		
5	0-23500-0194		O.R.CLUTCH ASSY	1		
6	0-23600-0230		CENTER BRACKET ASSY	1		INCLUDING OIL SEAL
6-1	0-23611-0692		CENTER BRACKET	1		
6-2	1-0240-08405		BOLT	3		
6-3	7-23320-0060		SHIFT LEVER ASSY	1		
6-4	7-47100-0234		MAG.SWITCH ASSY	1		
6-5	0-0274-06202		BOLT	3		
7	7-23700-0524		R.BRACKET ASSY	1		INCLUDING 7-1~7-4,7-6
7-1	0-23700-0130		R.BRACKET ASSY	1		
7-2	7-23750-0124		BRUSH HOLDER CO	1		INCLUDING 7-3,7-4
7-3	1-23913-0040		BRUSH SPRING	4		
7-4	0-23740-0254		BRUSH CO	4		
7-5	0-23901-0170		BOLT	2		THROUGH BOLT
7-6	0-09001-4580		BOLT	2		
8	0-25000-8372		SWITCH	1		
8-1	0-0270-06402		BOLT	1		
8-2	1-47927-1250		HOLDER	1		
#2	1-23921-0130		WASHER	1		
#3	1-23921-0140		WASHER	2		FOR ADJUSTMENT
#4	1-23941-0040		INSULATE WASHER	1		
#5	0-23921-0230		WASHER	2		FOR ADJUSTMENT
※	7-09210-2800		SEAL ASSY	1		
△	7-47761-0010		MAG.SWITCH COVER ASSY	1		
□	7-47761-0030		SWITCH COVER ASSY	1		



0-23000-3175

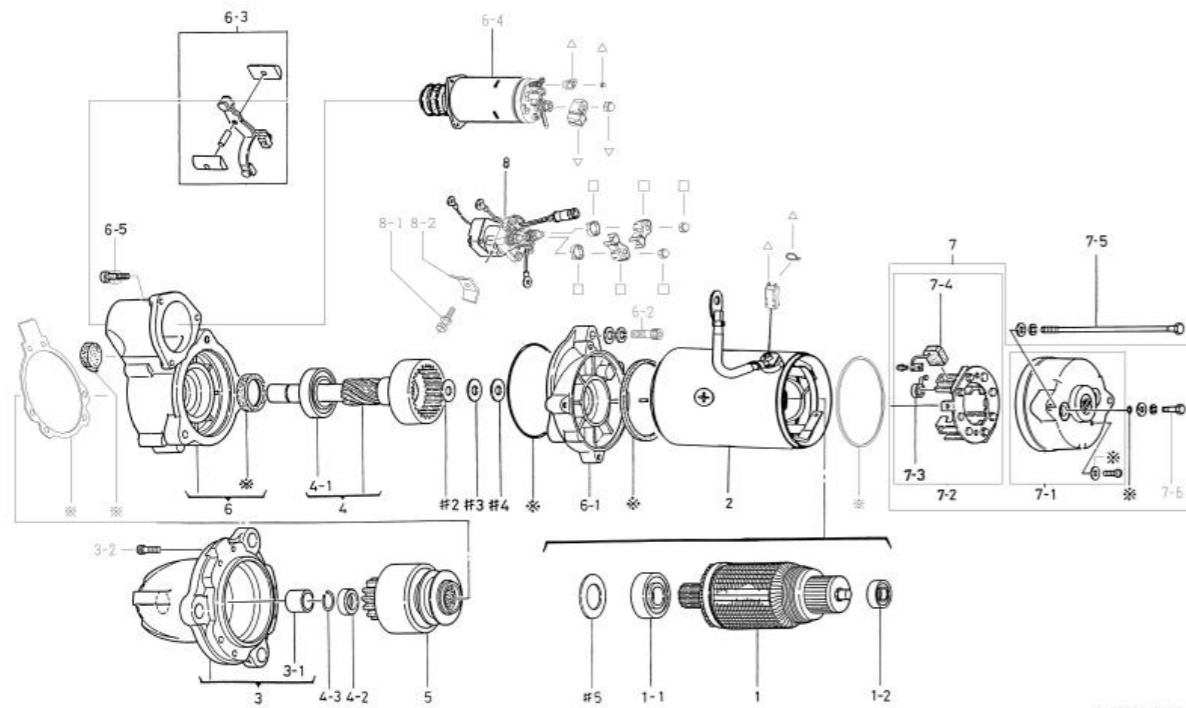
※	7-09210-2800	SEAL ASSY	
	1-0345-05001	SEAL WASHER	1
	0-23951-0490	PACKING	1
	0-23951-0331	PACKING	1
	1-23951-0020	PACKING	1
	1-09210-1060	OIL SEAL	1
	1-0505-00601	O RING	2
	1-09211-0980	O RING	2

0-23000-3186 STARTING MOTOR

OEM CUSTOMER	KOMATSU	OEM PARTS NUMBER	600-813-4682
NOMINAL OUTPUT	24V 7.5Kw	SUPPLY TERM	02.07~
WEIGHT	15.5kg	SWITCH	SAFETY RELAY (INSTALLED ON RIGHT)
ENGINE MODEL	S6D125		
VEHICLE	WA450		
OLD MODEL RECORD	0-23000-3180 → 3184 → 3185 → 3186		
DESIGN RECORD	3180 → 3184 SFR CHANGED 3184 → 3185 SFR CHANGED 3185 → 3186 JUMP START SPECIFICATION, SFR AND MAG.SW CHANGED		
NOTE	WATER PROOF OIL PROOF φ101.5		

0-23000-3186 STARTING MOTOR (MAKER PART NO 600-813-4682)

No	Parts Number	Maker Parts No	Description	Qty	List Price	Note
1	0-23100-0251		ARMATURE CO	1		
1-1	1-0454-62047		BALL BEARING	1		FRONT
1-2	1-0454-62007		BALL BEARING	1		REAR
2	0-23200-0334		YOKE ASSY	1		INC 2 UNITS 7-4
3	0-23310-0866		FRONT BRACKET CO	1		INCLUDING 3-1
3-1	7-23351-0085		METAL	1		FRONT
3-2	1-0240-06305		BOLT	6		
4	7-23120-0310		SHAFT ASSY	1		INCLUDING 4-1
4-1	1-0454-60067		BALL BEARING	1		CENTER
4-2	1-23181-0020		PINION STOPPER	1		
4-3	1-23914-0020		CLIP RING	1		
5	0-23500-0174		O.R.CLUTCH ASSY	1		
6	0-23600-0250		CENTER BRACKET ASSY	1		INCLUDING OIL SEAL
6-1	0-23611-0692		CENTER BRACKET	1		
6-2	1-0240-08405		BOLT	3		
6-3	7-23320-0060		SHIFT LEVER ASSY	1		
6-4	7-47100-0230		MAG.SWITCH ASSY	1		
6-5	0-0274-06202		BOLT	3		
7	7-23700-0524		R.BRACKET ASSY	1		INCLUDING 7-1~7-4,7-6
7-1	0-23700-0130		R.BRACKET ASSY	1		
7-2	7-23750-0124		BRUSH HOLDER CO	1		INCLUDING 7-3,7-4
7-3	1-23913-0040		BRUSH SPRING	4		
7-4	0-23740-0254		BRUSH CO	4		
7-5	0-23901-0170		BOLT	2		THROUGH BOLT
7-6	0-09001-4580		BOLT	2		
8	0-25000-8372		SWITCH	1		
8-1	0-0270-06402		BOLT	1		
8-2	1-47927-1250		HOLDER	1		
#2	1-23921-0130		WASHER	1		
#3	1-23921-0140		WASHER	1		FOR ADJUSTMENT
#4	1-23941-0040		INSULATE WASHER	1		
#5	0-23921-0230		WASHER	1		FOR ADJUSTMENT
※	7-09210-2820		SEAL ASSY	1		
△	7-47761-0010		MAG.SWITCH COVER ASSY	1		
□	7-47761-0030		SWITCH COVER ASSY	1		



0-23000-3186

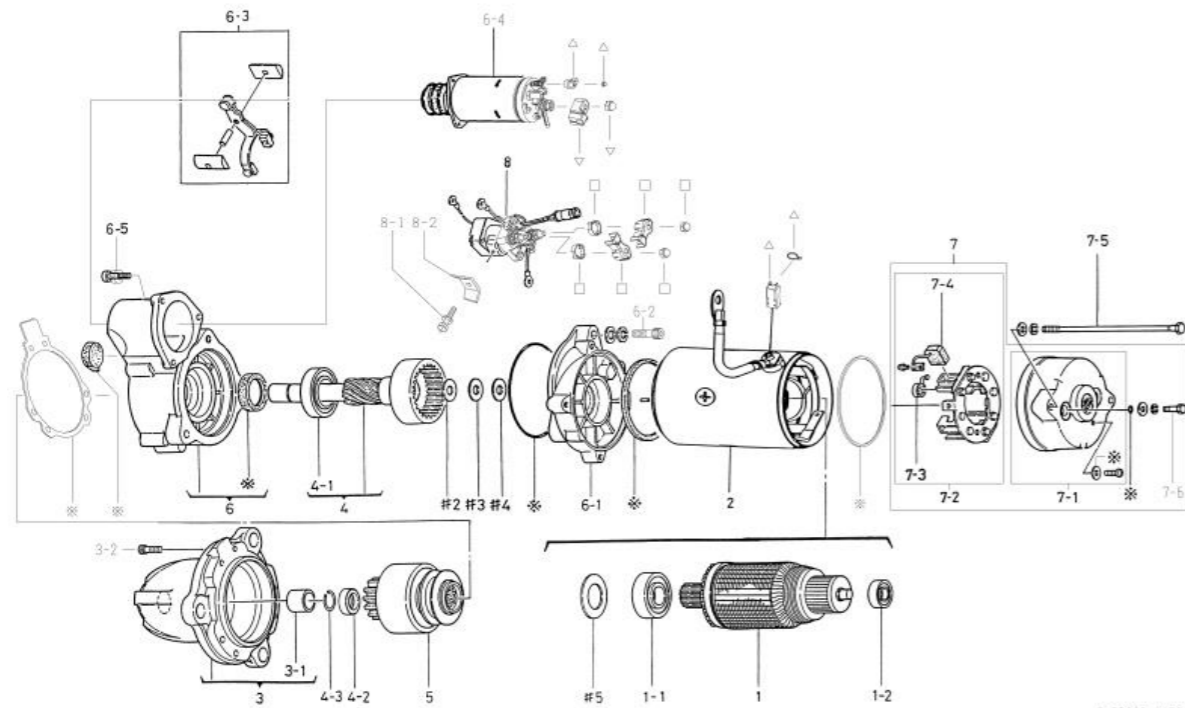
※	7-09210-2820	SEAL ASSY	
	1-0345-05001	SEAL WASHER	1
	0-23951-0471	PACKING	1
	0-23951-0331	PACKING	1
	1-23951-0020	PACKING	1
	1-09210-1040	OIL SEAL	1
	1-0505-00601	O RING	2
	1-09211-0980	O RING	2

0-23000-3188 STARTING MOTOR

OEM CUSTOMER	KOMATSU	OEM PARTS NUMBER	600-813-4683
NOMINAL OUTPUT	24V 7.5Kw	SUPPLY TERM	15.05~
WEIGHT	15.5kg	SWITCH	SAFETY RELAY (INSTALLED ON RIGHT)
ENGINE MODEL	S6D125		
VEHICLE	WA450		
OLD MODEL RECORD	0-23000-3180 → 3184 → 3185 → 3186 → 3188		
DESIGN RECORD	3180 → 3184 SFR CHANGED 3184 → 3185 SFR CHANGED 3185 → 3186 JUMP START SPECIFICATION, SFR AND MAG.SW CHANGED 3186 → 3188 CAUTION PLATE CHANGED		
NOTE	WATER PROOF OIL PROOF φ101.5		

0-23000-3188 STARTING MOTOR (MAKER PART NO 600-813-4683)

No	Parts Number	Maker Parts No	Description	Qty	List Price	Note
1	0-23100-0251		ARMATURE CO	1		
1-1	1-0454-62047		BALL BEARING	1		FRONT
1-2	1-0454-62007		BALL BEARING	1		REAR
2	0-23200-0334		YOKE ASSY	1		INC 2 UNITS 7-4
3	0-23310-0866		FRONT BRACKET CO	1		INCLUDING 3-1
3-1	7-23351-0085		METAL	1		FRONT
3-2	1-0240-06305		BOLT	6		
4	7-23120-0310		SHAFT ASSY	1		INCLUDING 4-1
4-1	1-0454-60067		BALL BEARING	1		CENTER
4-2	1-23181-0020		PINION STOPPER	1		
4-3	1-23914-0020		CLIP RING	1		
5	0-23500-0174		O.R.CLUTCH ASSY	1		
6	0-23600-0250		CENTER BRACKET ASSY	1		INCLUDING OIL SEAL
6-1	0-23611-0692		CENTER BRACKET	1		
6-2	1-0240-08405		BOLT	3		
6-3	7-23320-0060		SHIFT LEVER ASSY	1		
6-4	7-47100-0234		MAG.SWITCH ASSY	1		
6-5	0-0274-06202		BOLT	3		
7	7-23700-0524		R.BRACKET ASSY	1		INCLUDING 7-1~7-4,7-6
7-1	0-23700-0130		R.BRACKET ASSY	1		
7-2	7-23750-0124		BRUSH HOLDER CO	1		INCLUDING 7-3,7-4
7-3	1-23913-0040		BRUSH SPRING	4		
7-4	0-23740-0254		BRUSH CO	4		
7-5	0-23901-0170		BOLT	2		THROUGH BOLT
7-6	0-09001-4580		BOLT	2		
8	0-25000-8372		SWITCH	1		
8-1	0-0270-06402		BOLT	1		
8-2	1-47927-1250		HOLDER	1		
#2	1-23921-0130		WASHER	1		
#3	1-23921-0140		WASHER	1		FOR ADJUSTMENT
#4	1-23941-0040		INSULATE WASHER	1		
#5	0-23921-0230		WASHER	1		FOR ADJUSTMENT
※	7-09210-2820		SEAL ASSY	1		
△	7-47761-0010		MAG.SWITCH COVER ASSY	1		
□	7-47761-0030		SWITCH COVER ASSY	1		



0-23000-3188

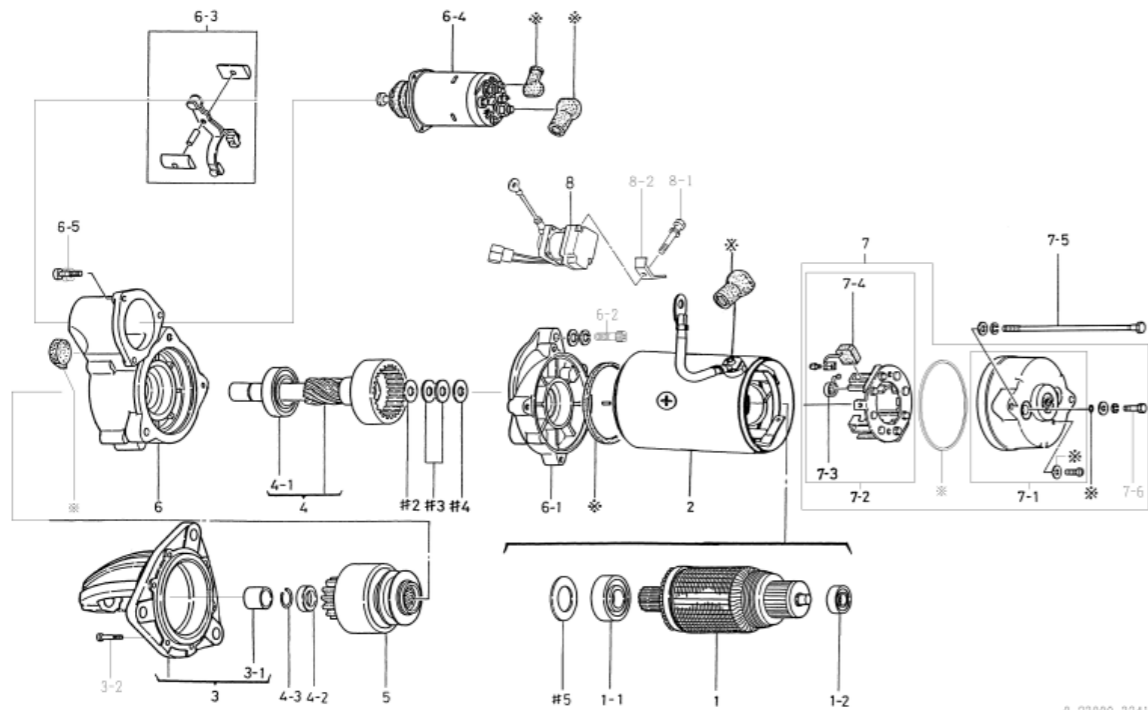
※	7-09210-2820	SEAL ASSY	
	1-0345-05001	SEAL WASHER	1
	0-23951-0471	PACKING	1
	0-23951-0331	PACKING	1
	1-23951-0020	PACKING	1
	1-09210-1040	OIL SEAL	1
	1-0505-00601	O RING	2
	1-09211-0980	O RING	2

0-23000-3241 STARTING MOTOR

OEM CUSTOMER	MHI	OEM PARTS NUMBER	37566-20101
NOMINAL OUTPUT	24V 6Kw	SUPPLY TERM	97.07~
WEIGHT	15.5kg	SWITCH	SAFETY RELAY (INSTALLED ON LEFT)
ENGINE MODEL	S6A2		
VEHICLE	POWER GENERATOR		
OLD MODEL RECORD	0-23000-3240 → 3241		
DESIGN RECORD	3240 → 3241 SFR CHANGED		
NOTE	DRIP PROOF φ101.5		

0-23000-3241 STARTING MOTOR (MAKER PART NO 37566-20101)

No	Parts Number	Maker Parts No	Description	Qty	List Price	Note
1	0-23100-0270		ARMATURE CO	1		
1-1	1-0454-62057	10454-62057	BALL BEARING	1		FRONT
1-2	1-0454-62007		BALL BEARING	1		REAR
2	0-23200-0334		YOKE ASSY	1		INC 2 UNITS 7-4
3	0-23310-0964	37566-20124	FRONT BRACKET CO	1		INCLUDING 3-1
3-1	7-23351-0085	40466-01025	METAL	1		FRONT
3-2	1-0240-06305	37566-00123	BOLT	6		
4	7-23120-0310	37566-00121	SHAFT ASSY	1		INCLUDING 4-1
4-1	1-0454-60067	10454-60067	BALL BEARING	1		CENTER
4-2	1-23181-0020	37566-00126	PINION STOPPER	1		
4-3	1-23914-0020	37566-00125	CLIP RING	1		
5	0-23500-0444	37566-00127	O.R.CLUTCH ASSY	1		
6	0-23611-0610	37566-00119	CENTER BRACKET	1		
6-1	0-23611-0770	37566-00122	CENTER BRACKET	1		
6-2	1-0240-08405	37566-00114	BOLT	3		
6-3	7-23320-0060	37566-00111	SHIFT LEVER ASSY	1		
6-4	0-47100-3940	37566-00112	MAG.SWITCH ASSY	1		
6-5	0-0274-06202	32G66-07140	BOLT	3		
7	7-23700-0434	37566-00117	R.BRACKET ASSY	1		INCLUDING 7-1~7-4,7-6
7-1	0-23700-0130		R.BRACKET ASSY	1		
7-2	7-23750-0124		BRUSH HOLDER CO	1		INCLUDING 7-3,7-4
7-3	1-23913-0040	12391-30040	BRUSH SPRING	4		
7-4	0-23740-0254	02374-00250	BRUSH CO	4		
7-5	0-23901-0170	37566-00118	BOLT	2		THROUGH BOLT
7-6	0-09001-4580		BOLT	2		
8	0-25000-7223	37566-20113	SWITCH	1		
8-1	0-0270-06402		BOLT	1		
8-2	1-47927-1250		HOLDER	1		
#2	1-23921-0130	40666-10144	WASHER	1		
#3	1-23921-0140	40666-10141	WASHER	2		
#4	1-23941-0040	40666-10145	INSULATE WASHER	1		
#5	0-09057-0110	00905-70110	WASHER	1		
※	7-09210-1370	37566-00131	SEAL ASSY	1		
※	7-09210-1370	SEAL ASSY				
	0-23951-0331	PACKING	1			
	1-0345-05001	SEAL WASHER	1			
	1-0505-00601	O RING	2			
	1-09211-0980	O RING	1			
	1-09252-0211	GUM CAP	1			
	1-09252-0420	GUM CAP	1			
	1-09252-0430	GUM CAP	1			
	1-23951-0020	PACKING	1			



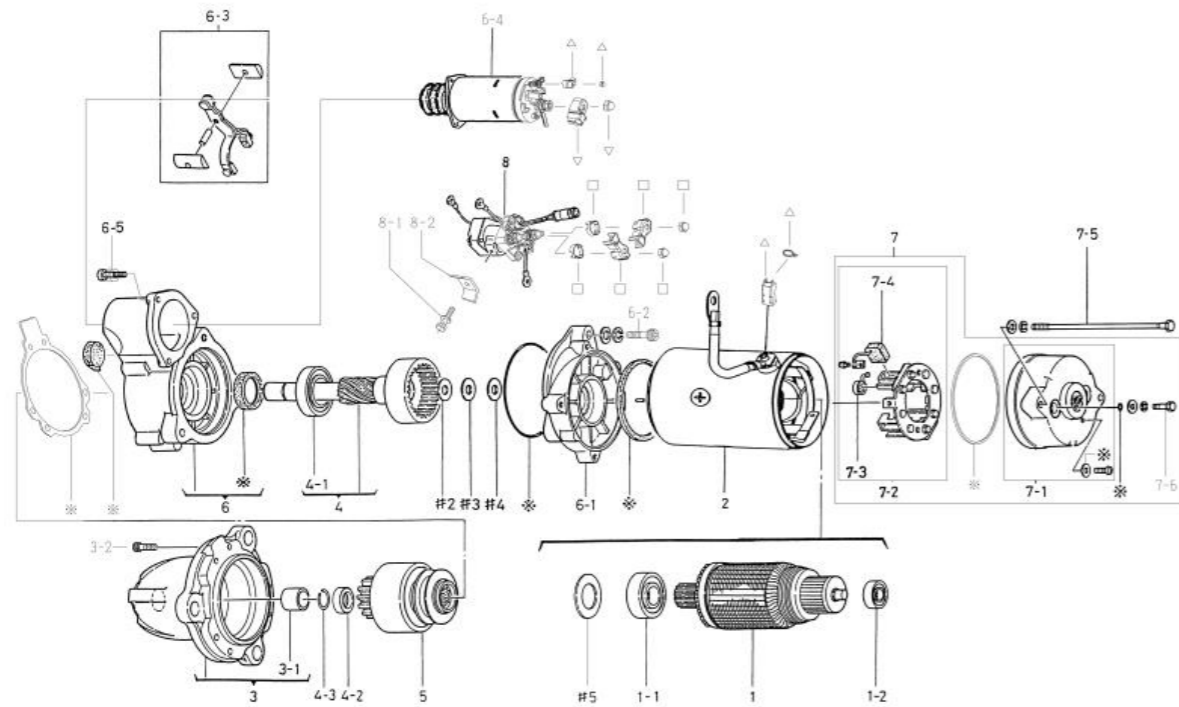
0-23000-3241

0-23000-3276 STARTING MOTOR

OEM CUSTOMER	KOMATSU	OEM PARTS NUMBER	600-813-4792
NOMINAL OUTPUT	24V 7.5Kw	SUPPLY TERM	02.07~
WEIGHT	15.5 kg	SWITCH	SAFETY RELAY (INSTALLED ON RIGHT)
ENGINE MODEL	S6D125, OTHER		
VEHICLE	LW250-2, OTHER		
OLD MODEL RECORD	0-23000-3270→3274→3275→3276		
DESIGN RECORD	3270→3274	SFR CHANGED	
	3274→3275	SFR CHANGED	
	3275→3276	JUMP START SPECIFICATION, SFR AND MAG. SW CHANGED	
NOTE	WATER PROOF OIL PROOF ϕ 101.5		

0-23000-3276 STARTING MOTOR (MAKER PART NO 600-813-4792)

No	Parts Number	Maker Parts No	Description	Qty	List Price	Note
1	0-23100-0251		ARMATURE CO	1		
1-1	1-0454-62047		BALL BEARING	1		FRONT
1-2	1-0454-62007		BALL BEARING	1		REAR
2	0-23200-0334		YOKE ASSY	1		INCL. 2 PCS OF 7-4
3	0-23310-0866		FRONT BRACKET CO	1		INCLUDING 3-1
3-1	7-23351-0085		METAL	1		FRONT
3-2	1-0240-06305		BOLT	6		
4	7-23120-0310		SHAFT ASSY	1		INCLUDING 4-1
4-1	1-0454-60067		BALL BEARING	1		CENTER
4-2	1-23181-0020		PINION STOPPER	1		
4-3	1-23914-0020		CLIP RING	1		
5	1-23500-0174		O.R.CLUTCH ASSY	1		
6	0-23600-0250		CENTER BRACKET ASSY	1		INCLUDING OIL SEAL
6-1	0-23611-0692		CENTER BRACKET	1		
6-2	1-0240-08405		BOLT	3		
6-3	7-23320-0060		SHIFT LEVER ASSY	1		
6-4	7-47100-0230		MAG. SWITCH ASSY	1		
6-5	0-0274-06202		BOLT	3		
7	7-23700-0524		REAR BRACKET ASSY	1		INCL. 7-1 TO 7-4, 7-6
7-1	0-23700-0130		REAR BRACKET ASSY	1		
7-2	7-23750-0124		BRUSH HOLDER CO	1		INCLUDING 7-3,7-4
7-3	1-23913-0040		BRUSH SPRING	4		
7-4	0-23740-0254		BRUSH CO	4		
7-5	0-23901-0170		BOLT	2		THROUGH BOLT
7-6	0-09001-4580		BOLT	2		
8	0-25000-9250		SWITCH	1		
8-1	0-0270-06402		BOLT	1		
8-2	1-47927-1250		HOLDER	1		
#2	1-23921-0130		WASHER	1		
#3	1-23921-0140		WASHER	1		FOR ADJUSTMENT
#4	1-23941-0040		INSULATE WASHER	1		
#5	0-23921-0230		WASHER	1		FOR ADJUSTMENT
△	7-47761-0010		MAG.SWITCH COVER ASSY	1		
□	7-47761-0030		SWITCH COVER ASSY	1		
※	7-09210-2820		SEAL ASSY	1		



0-23000-3276

※	7-09210-2820	SEAL ASSY	
	1-0345-05001	SEAL WASHER	1
	0-23951-0471	PACKING	1
	0-23951-0331	PACKING	1
	1-23951-0020	PACKING	1
	1-09210-1040	OIL SEAL	1
	1-0505-00601	O RING	2
	1-09211-0980	O RING	2

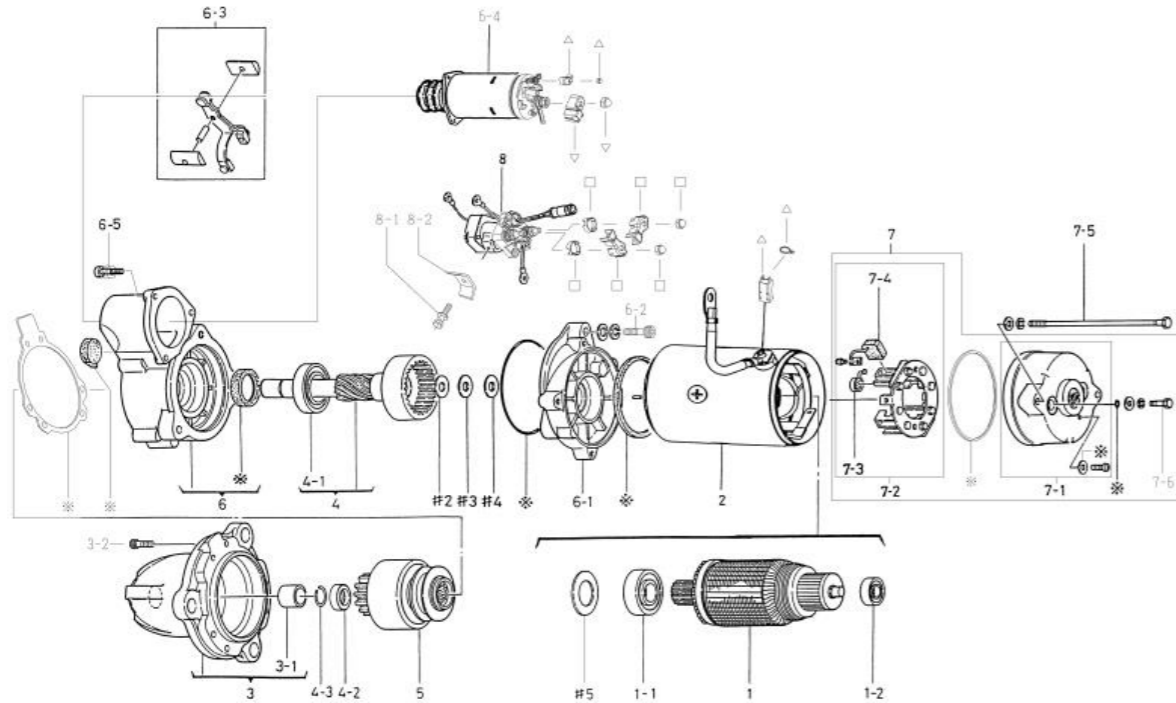
0-23000-3278 STARTING MOTOR

OEM CUSTOMER	KOMATSU	OEM PARTS NUMBER	600-813-4793
NOMINAL OUTPUT	24V 7.5Kw	SUPPLY TERM	02.07~
WEIGHT	15.5 kg	SWITCH	SAFETY RELAY (INSTALLED ON RIGHT)
ENGINE MODEL	S6D125, OTHER		
VEHICLE	LW250-2, OTHER		
OLD MODEL RECORD	0-23000-3270→3274→3275→3276→3278		
DESIGN RECORD	3270→3274	SFR CHANGED	
	3274→3275	SFR CHANGED	
	3275→3276	JUMP START SPECIFICATION, SFR AND MAG. SW CHANGED	
	3276→3278	CAUTION PLATE CHANGED	
NOTE	WATER PROOF OIL PROOF ϕ 101.5		

0-23000-3278 STARTING MOTOR (MAKER PART NO 600-813-4793)

No	Parts Number	Maker Parts No	Description	Qty	List Price	Note
1	0-23100-0251		ARMATURE CO	1		
1-1	1-0454-62047		BALL BEARING	1		FRONT
1-2	1-0454-62007		BALL BEARING	1		REAR
2	0-23200-0334		YOKE ASSY	1		INCL. 2 PCS OF 7-4
3	0-23310-0866		FRONT BRACKET CO	1		INCLUDING 3-1
3-1	7-23351-0085		METAL	1		FRONT
3-2	1-0240-06305		BOLT	6		
4	7-23120-0310		SHAFT ASSY	1		INCLUDING 4-1
4-1	1-0454-60067		BALL BEARING	1		CENTER
4-2	1-23181-0020		PINION STOPPER	1		
4-3	1-23914-0020		CLIP RING	1		
5	1-23500-0174		O.R.CLUTCH ASSY	1		
6	0-23600-0250		CENTER BRACKET ASSY	1		INCLUDING OIL SEAL
6-1	0-23611-0692		CENTER BRACKET	1		
6-2	1-0240-08405		BOLT	3		
6-3	7-23320-0060		SHIFT LEVER ASSY	1		
6-4	7-47100-0234		MAG. SWITCH ASSY	1		
6-5	0-0274-06202		BOLT	3		
7	7-23700-0524		REAR BRACKET ASSY	1		INCL. 7-1 TO 7-4, 7-6
7-1	0-23700-0130		REAR BRACKET ASSY	1		
7-2	7-23750-0124		BRUSH HOLDER CO	1		INCLUDING 7-3,7-4
7-3	1-23913-0040		BRUSH SPRING	4		
7-4	0-23740-0254		BRUSH CO	4		
7-5	0-23901-0170		BOLT	2		THROUGH BOLT
7-6	0-09001-4580		BOLT	2		
8	0-25000-9250		SWITCH	1		
8-1	0-0270-06402		BOLT	1		
8-2	1-47927-1250		HOLDER	1		
#2	1-23921-0130		WASHER	1		
#3	1-23921-0140		WASHER	1		FOR ADJUSTMENT
#4	1-23941-0040		INSULATE WASHER	1		
#5	0-23921-0230		WASHER	1		FOR ADJUSTMENT
△	7-47761-0010		MAG.SWITCH COVER ASSY	1		
□	7-47761-0030		SWITCH COVER ASSY	1		
※	7-09210-2820		SEAL ASSY	1		

※	7-09210-2820	SEAL ASSY	
	1-0345-05001	SEAL WASHER	1
	0-23951-0471	PACKING	1
	0-23951-0331	PACKING	1
	1-23951-0020	PACKING	1
	1-09210-1040	OIL SEAL	1
	1-0505-00601	O RING	2
	1-09211-0980	O RING	2



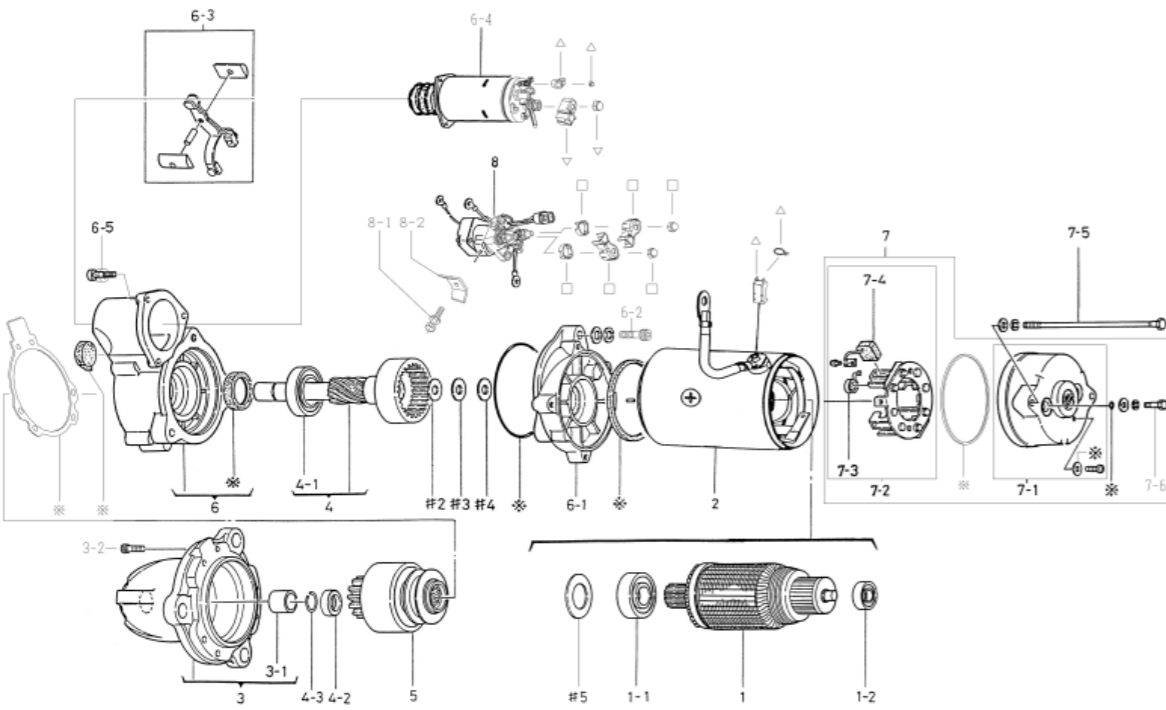
0-23000-3278

0-23000-3286 STARTING MOTOR

OEM CUSTOMER	KOMATSU	OEM PARTS NUMBER	600-813-6612
NOMINAL OUTPUT	24V 7.5Kw	SUPPLY TERM	02.07~
WEIGHT	15.5 kg	SWITCH	SAFETY RELAY (INSTALLED ON RIGHT)
ENGINE MODEL	SA6D125, OTHER		
VEHICLE	D53,D53A-18, OTHER		
DESIGN RECORD	3280→3284	SFR CHANGED	
	3284→3285	SFR CHANGED	
	3285→3286	JUMP START PROTECTION. SFR & MAG. SWITCH CHANGED	
NOTE	WATER PROOF OIL PROOF φ101.5		

0-23000-3286 STARTING MOTOR (MAKER PART NO 600-813-6612)

No	Parts Number	Maker Parts No	Description	Qty	List Price	Note
1	0-23100-0251		ARMATURE CO	1		
1-1	1-0456-62047		BALL BEARING	1		FRONT
1-2	1-0456-62007		BALL BEARING	1		REAR
2	0-23200-0334		YOKE ASSY	1		INCL. 2PCS OF 7-4
3	0-23310-0866		FRONT BRACKET CO	1		INCLUDING 3-1
3-1	7-23351-0085		METAL	1		FRONT
3-2	1-0240-06305		BOLT	6		
4	7-23120-0310		SHAFT ASSY	1		INCLUDING 4-1
4-1	1-0454-60067		BALL BEARING	1		CENTER
4-2	1-23181-0020		PINION STOPPER	1		
4-3	1-23914-0020		CLIP RING	1		
5	0-23500-0174		O.R.CLUTCH ASSY	1		
6	0-23600-0250		CENTER BRACKET ASSY	1		INCLUDING OIL SEAL
6-1	0-23611-0692		CENTER BRACKET	1		
6-2	1-0240-08405		BOLT	3		
6-3	7-23320-0060		SHIFT LEVER ASSY	1		
6-4	7-47100-0230		MAG. SWITCH ASSY	1		INCL. 7-1 TO 7-4 & 7-6
6-5	0-0274-06202		BOLT	3		
7	7-23700-0524		REAR BRACKET ASSY	1		
7-1	0-23700-0130		REAR BRACKET ASSY	1		
7-2	7-23750-0124		BRUSH HOLDER CO	1		INCLUDING 7-3,7-4
7-3	1-23913-0040		BRUSH SPRING	4		
7-4	0-23740-0254		BRUSH CO	4		
7-5	0-023901-0170		BOLT	2		THROUGH BOLT
7-6	0-09001-4580		BOLT	2		
8	0-25000-9031		SWITCH	1		
8-1	0-0270-06402		BOLT	1		
8-2	1-47927-1250		HOLDER	1		
#2	1-23921-0130		WASHER	1		
#3	1-23921-0140		WASHER	1		FOR ADJUSTMENT
#4	1-23941-0040		INSULATE WASHER	1		
#5	0-23921-0230		WASHER	2		FOR ADJUSTMENT
△	7-47761-0010		MAG.SWITCH COVER ASSY	1		
□	7-47761-0030		SWITCH COVER ASSY	1		
※	7-09210-2820		SEAL ASSY	1		



0-23000-3286

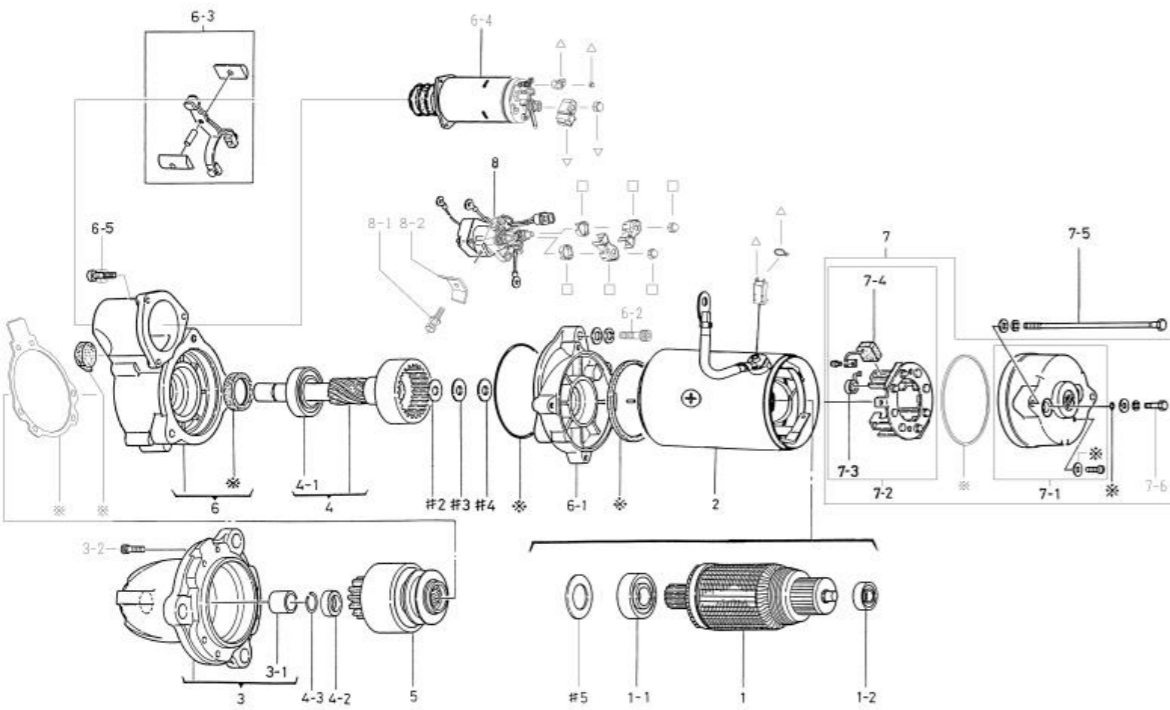
※	7-09210-2820	SEAL ASSY	
	1-0345-05001	SEAL WASHER	1
	0-23951-0471	PACKING	1
	0-23951-0331	PACKING	1
	1-23951-0020	PACKING	1
	1-09210-1040	O RING	1
	1-0505-00601	O RING	2
	1-09211-0980	O RING	2

0-23000-3288 STARTING MOTOR

OEM CUSTOMER	KOMATSU	OEM PARTS NUMBER	600-813-6613
NOMINAL OUTPUT	24V 7.5Kw	SUPPLY TERM	02.07~
WEIGHT	15.5 kg	SWITCH	SAFETY RELAY (INSTALLED ON RIGHT)
ENGINE MODEL	SA6D125, OTHER		
VEHICLE	D53,D53A-18, OTHER		
DESIGN RECORD	3280→3284	SFR CHANGED	
	3284→3285	SFR CHANGED	
	3285→3286	JUMP START PROTECTION. SFR & MAG. SWITCH CHANGED	
	3286→3288	CAUTION PLATE CHANGED	
NOTE	WATER PROOF OIL PROOF φ 101.5		

0-23000-3288 STARTING MOTOR (MAKER PART NO 600-813-6613)

No	Parts Number	Maker Parts No	Description	Qty	List Price	Note
1	0-23100-0251		ARMATURE CO	1		
1-1	1-0456-62047		BALL BEARING	1		FRONT
1-2	1-0456-62007		BALL BEARING	1		REAR
2	0-23200-0334		YOKE ASSY	1		INCL. 2PCS OF 7-4
3	0-23310-0866		FRONT BRACKET CO	1		INCLUDING 3-1
3-1	7-23351-0085		METAL	1		FRONT
3-2	1-0240-06305		BOLT	6		
4	7-23120-0310		SHAFT ASSY	1		INCLUDING 4-1
4-1	1-0454-60067		BALL BEARING	1		CENTER
4-2	1-23181-0020		PINION STOPPER	1		
4-3	1-23914-0020		CLIP RING	1		
5	0-23500-0174		O.R.CLUTCH ASSY	1		
6	0-23600-0250		CENTER BRACKET ASSY	1		INCLUDING OIL SEAL
6-1	0-23611-0692		CENTER BRACKET	1		
6-2	1-0240-08405		BOLT	3		
6-3	7-23320-0060		SHIFT LEVER ASSY	1		
6-4	7-47100-0234		MAG. SWITCH ASSY	1		
6-5	0-0274-06202		BOLT	3		
7	7-23700-0524		REAR BRACKET ASSY	1		INCL. 7-1 TO 7-4 & 7-6
7-1	0-23700-0130		REAR BRACKET ASSY	1		
7-2	7-23750-0124		BRUSH HOLDER CO	1		INCLUDING 7-3,7-4
7-3	1-23913-0040		BRUSH SPRING	4		
7-4	0-23740-0254		BRUSH CO	4		
7-5	0-023901-0170		BOLT	2		THROUGH BOLT
7-6	0-09001-4580		BOLT	2		
8	0-25000-9031		SWITCH	1		
8-1	0-0270-06402		BOLT	1		
8-2	1-47927-1250		HOLDER	1		
#2	1-23921-0130		WASHER	1		
#3	1-23921-0140		WASHER	1		FOR ADJUSTMENT
#4	1-23941-0040		INSULATE WASHER	1		
#5	0-23921-0230		WASHER	2		FOR ADJUSTMENT
△	7-47761-0010		MAG.SWITCH COVER ASSY	1		
□	7-47761-0030		SWITCH COVER ASSY	1		
※	7-09210-2820		SEAL ASSY	1		



0-23000-3288

※	7-09210-2820	SEAL ASSY	
	1-0345-05001	SEAL WASHER	1
	0-23951-0471	PACKING	1
	0-23951-0331	PACKING	1
	1-23951-0020	PACKING	1
	1-09210-1040	O RING	1
	1-0505-00601	O RING	2
	1-09211-0980	O RING	2

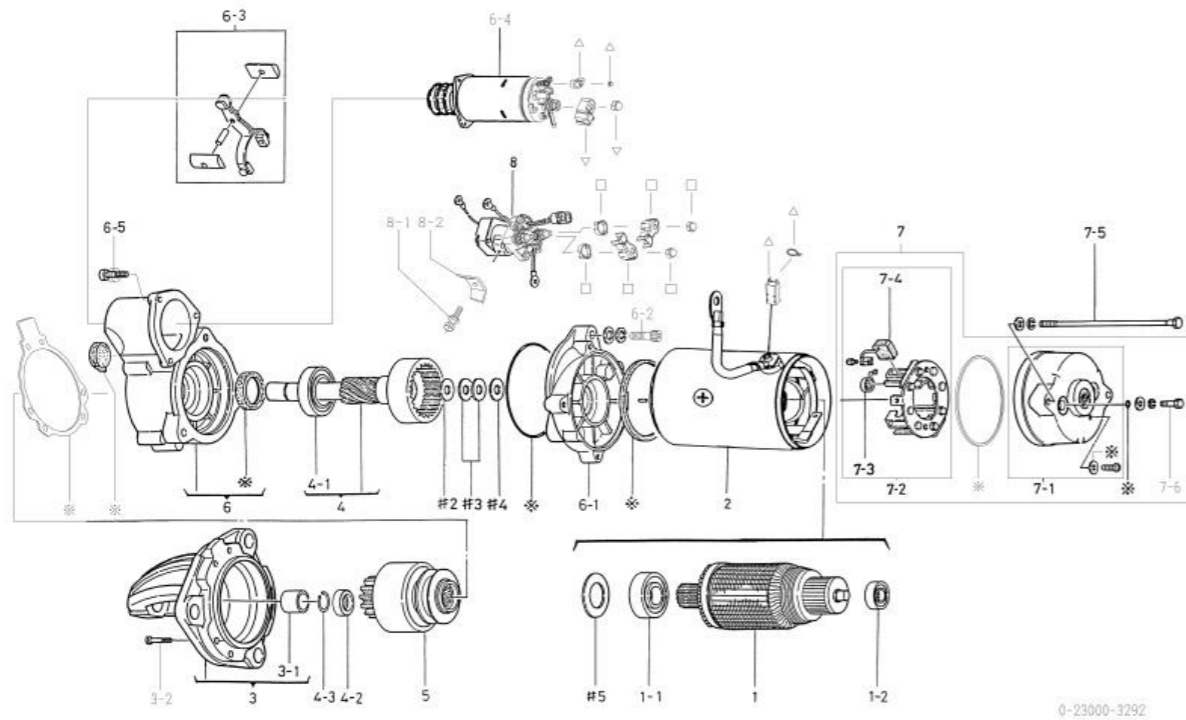
0-23000-3292 STARTING MOTOR

OEM CUSTOMER	KOMATSU	OEM PARTS NUMBER	600-813-6412
NOMINAL OUTPUT	24V 7.5Kw	SUPPLY TERM	02.07~
WEIGHT	15.5 kg	SWITCH	SAFETY RELAY (INSTALLED ON RIGHT)
ENGINE MODEL	SA6D108E-1, OTHER		
VEHICLE	WT250E-1, OTHER		
DESIGN RECORD	3290→3291	SFR CHANGED	
	3291→3292	JUMP START PROTECTION, SFR & MAG. SWITCH CHANGED	
NOTE	WATER PROOF OIL PROOF φ101.5		

0-23000-3292 STARTING MOTOR (MAKER PART NO 600-813-6412)

No	Parts Number	Maker Parts No	Description	Qty	List Price	Note
1	0-23100-0251		ARMATURE CO	1		
1-1	1-0456-62047		BALL BEARING	1		FRONT
1-2	1-0456-62007		BALL BEARING	1		REAR
2	0-23200-0634		YOKE ASSY	1		
3	0-23310-1584		FRONT BRACKET CO	1		INCLUDING 3-1
3-1	7-23351-0085		METAL	1		FRONT
3-2	1-0240-06305		BOLT	6		
4	7-23120-0310		SHAFT ASSY	1		INCLUDING 4-1
4-1	1-0454-60067		BALL BEARING	1		CENTER
4-2	1-23181-0020		PINION STOPPER	1		
4-3	1-23914-0020		CLIP RING	1		
5	1-23500-0174		O.R.CLUTCH ASSY	1		
6	0-23600-0391		CENTER BRACKET ASSY	1		INCLUDING OIL SEAL
6-1	1-23611-0692		CENTER BRACKET	1		
6-2	1-0240-08405		BOLT	3		
6-3	7-23320-0060		SHIFT LEVER ASSY	1		
6-4	7-47100-0240		MAG. SWITCH ASSY	1		
6-5	0-0274-06302		BOLT	3		
7	7-23700-0524		REAR BRACKET ASSY	1		INCL 7-1 TO 7-4 & 7-6
7-1	0-23700-0130		REAR BRACKET ASSY	1		
7-2	7-23750-0124		BRUSH HOLDER CO	1		INCLUDING 7-3,7-4
7-3	1-23913-0040		BRUSH SPRING	4		
7-4	0-23740-0254		BRUSH CO	4		
7-5	0-023901-0170		BOLT	2		THROUGH BOLT
7-6	0-09001-4580		BOLT	2		
8	0-25000-9230		SWITCH	1		
8-1	0-0270-06502		BOLT	1		
8-2	0-47927-1390		HOLDER	1		
#2	1-23921-0130		WASHER	1		
#3	1-23921-0140		WASHER	2		FOR ADJUSTMENT
#4	1-23941-0040		INSULATE WASHER	1		
#5	0-23921-0230		WASHER	1		FOR ADJUSTMENT
△	7-47761-0010		MAG.SWITCH COVER ASSY	1		
□	7-47761-0030		SWITCH COVER ASSY	1		
※	7-09210-2810		SEAL ASSY	1		

※	7-09210-2810	SEAL ASSY	
	1-0345-05001	SEAL WASHER	1
	0-23951-0331	PACKING	1
	0-23951-0480	PACKING	1
	1-23951-0020	PACKING	1
	1-09210-1060	OIL SEAL	1
	1-0505-00601	O RING	2
	1-09211-0980	O RING	2



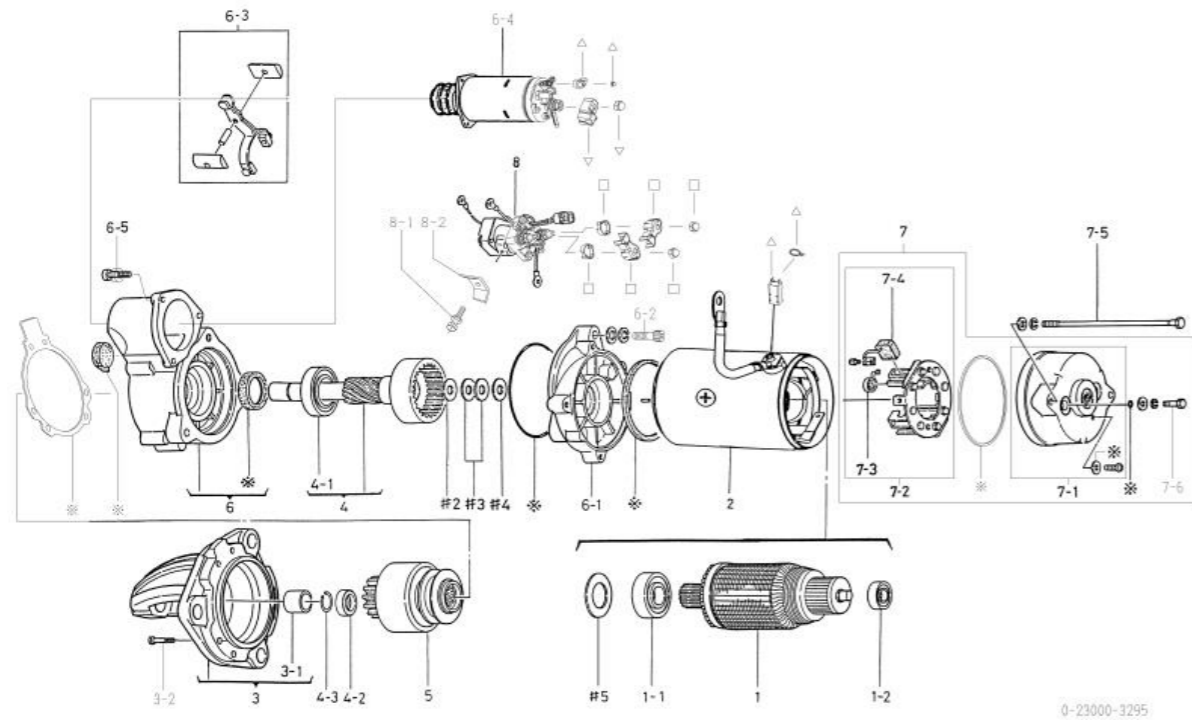
0-23000-3292

0-23000-3295 STARTING MOTOR

OEM CUSTOMER	KOMATSU	OEM PARTS NUMBER	600-813-6413
NOMINAL OUTPUT	24V 7.5Kw	SUPPLY TERM	02.07~
WEIGHT	15.5 kg	SWITCH	SAFETY RELAY (INSTALLED ON RIGHT)
ENGINE MODEL	SA6D108E-1, OTHER		
VEHICLE	WT250E-1, OTHER		
DESIGN RECORD	3290→3291	SFR CHANGED	
	3291→3292	JUMP START PROTECTION, SFR & MAG. SWITCH CHANGED	
	3292→3295	CAUTION PLATE CHANGED	
NOTE	WATER PROOF OIL PROOF φ 101.5		

0-23000-3295 STARTING MOTOR (MAKER PART NO 600-813-6413)

No	Parts Number	Maker Parts No	Description	Qty	List Price	Note
1	0-23100-0251		ARMATURE CO	1		
1-1	1-0456-62047		BALL BEARING	1		FRONT
1-2	1-0456-62007		BALL BEARING	1		REAR
2	0-23200-0634		YOKE ASSY	1		
3	0-23310-1584		FRONT BRACKET CO	1		INCLUDING 3-1
3-1	7-23351-0085		METAL	1		FRONT
3-2	1-0240-06305		BOLT	6		
4	7-23120-0310		SHAFT ASSY	1		INCLUDING 4-1
4-1	1-0454-60067		BALL BEARING	1		CENTER
4-2	1-23181-0020		PINION STOPPER	1		
4-3	1-23914-0020		CLIP RING	1		
5	0-23500-0174		O.R.CLUTCH ASSY	1		
6	0-23600-0391		CENTER BRACKET ASSY	1		INCLUDING OIL SEAL
6-1	1-23611-0692		CENTER BRACKET	1		
6-2	1-0240-08405		BOLT	3		
6-3	7-23320-0060		SHIFT LEVER ASSY	1		
6-4	7-47100-0244		MAG. SWITCH ASSY	1		
6-5	0-0274-06302		BOLT	3		
7	7-23700-0524		REAR BRACKET ASSY	1		INCL 7-1 TO 7-4 & 7-6
7-1	0-23700-0130		REAR BRACKET ASSY	1		
7-2	7-23750-0124		BRUSH HOLDER CO	1		INCLUDING 7-3,7-4
7-3	1-23913-0040		BRUSH SPRING	4		
7-4	0-23740-0254		BRUSH CO	4		
7-5	0-023901-0170		BOLT	2		THROUGH BOLT
7-6	0-09001-4580		BOLT	2		
8	0-25000-9230		SWITCH	1		
8-1	0-0270-06502		BOLT	1		
8-2	0-47927-1390		HOLDER	1		
#2	1-23921-0130		WASHER	1		
#3	1-23921-0140		WASHER	2		FOR ADJUSTMENT
#4	1-23941-0040		INSULATE WASHER	1		
#5	0-23921-0230		WASHER	1		FOR ADJUSTMENT
△	7-47761-0010		MAG.SWITCH COVER ASSY	1		
□	7-47761-0030		SWITCH COVER ASSY	1		
※	7-09210-2810		SEAL ASSY	1		



0-23000-3295

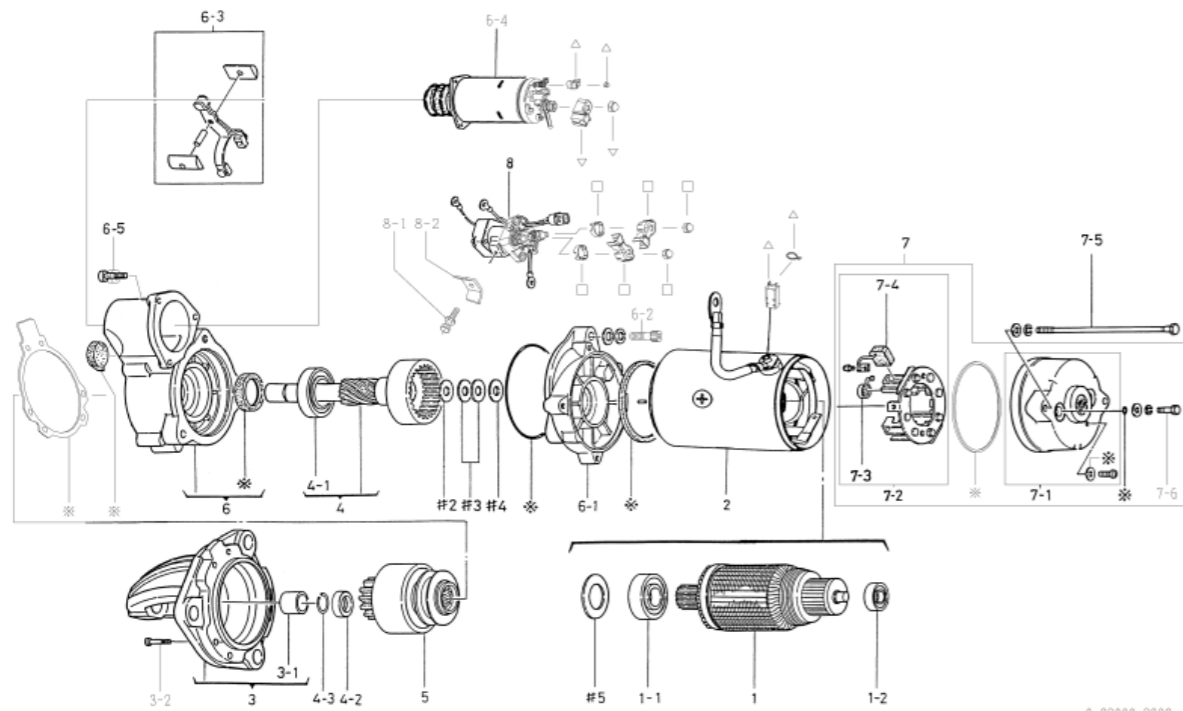
※	7-09210-2810	SEAL ASSY	
	1-0345-05001	SEAL WASHER	1
	0-23951-0331	PACKING	1
	0-23951-0480	PACKING	1
	1-23951-0020	PACKING	1
	1-09210-1060	OIL SEAL	1
	1-0505-00601	O RING	2
	1-09211-0980	O RING	2

0-23000-3302 STARTING MOTOR

OEM CUSTOMER	KOMATSU	OEM PARTS NUMBER	600-813-6422
NOMINAL OUTPUT	24V 7.5Kw	SUPPLY TERM	02.07~
WEIGHT	15.5kg	SWITCH	SAFETY RELAY (INSTALLED ON RIGHT)
ENGINE MODEL	SA6D108-1C, J6D108E-C2, OTHER		
VEHICLE	EG150BS-5, MST2300, OTHER		
DESIGN RECORD	3300 → 3301 SFR CHANGED 3301 → 3302 JUMP START PROTECTION, SFR & MAG. SWITCH CHANGED		
NOTE	WATER PROOF OIL PROOF φ 101.5		

0-23000-3302 STARTING MOTOR (MAKER PART NO 600-813-6422)

No	Parts Number	Maker Parts No	Description	Qty	List Price	Note
1	0-23100-0251		ARMATURE CO	1		
1-1	1-0454-62047		BALL BEARING	1		FRONT
1-2	1-0454-62007		BALL BEARING	1		REAR
2	0-23200-0634		YOKE ASSY	1		INCL 2 PCS OF 7-4
3	0-23310-1584		FRONT BRACKET CO	1		INCLUDING 3-1
3-1	7-23351-0085		METAL	1		FRONT
3-2	1-0240-06305		BOLT	6		
4	7-23120-0310		SHAFT ASSY	1		INCLUDING 4-1
4-1	1-0454-60067		BALL BEARING	1		CENTER
4-2	1-23181-0020		PINION STOPPER	1		
4-3	1-23914-0020		CLIP RING	1		
5	0-23500-0174		O.R.CLUTCH ASSY	1		
6	0-23600-0391		CENTER BRACKET ASSY	1		INCLUDING OIL SEAL
6-1	0-23611-0692		CENTER BRACKET	1		
6-2	1-0240-08405		BOLT	3		
6-3	7-23320-0060		SHIFT LEVER ASSY	1		
6-4	7-47100-0240		MAG.SWITCH ASSY	1		
6-5	0-0274-06302		BOLT	3		
7	7-23700-0524		REAR BRACKET ASSY	1		INCL 7-1 TO 7-4 & 7-6
7-1	0-23700-0130		R.BRACKET ASSY	1		
7-2	7-23750-0124		BRUSH HOLDER CO	1		INCLUDING 7-3, 7-4
7-3	1-23913-0040		BRUSH SPRING	4		
7-4	0-23740-0254		BRUSH CO	4		
7-5	0-23901-0170		BOLT	2		THROUGH BOLT
7-6	0-09001-4580		BOLT	2		
8	0-25000-9270		SWITCH	1		
8-1	0-0273-06502		BOLT	1		
8-2	0-47927-1390		HOLDER	1		
#2	1-23921-0130		WASHER	1		
#3	1-23921-0140		WASHER	2		FOR ADJUSTMENT
#4	1-23941-0040		INSULATE WASHER	1		
#5	0-23921-0230		WASHER	1		FOR ADJUSTMENT
※	7-09210-2810		SEAL ASSY	1		
△	7-47761-0010		MAG.SWITCH COVER ASSY	1		
□	7-47761-0030		SWITCH COVER ASSY	1		



0-23000-3302

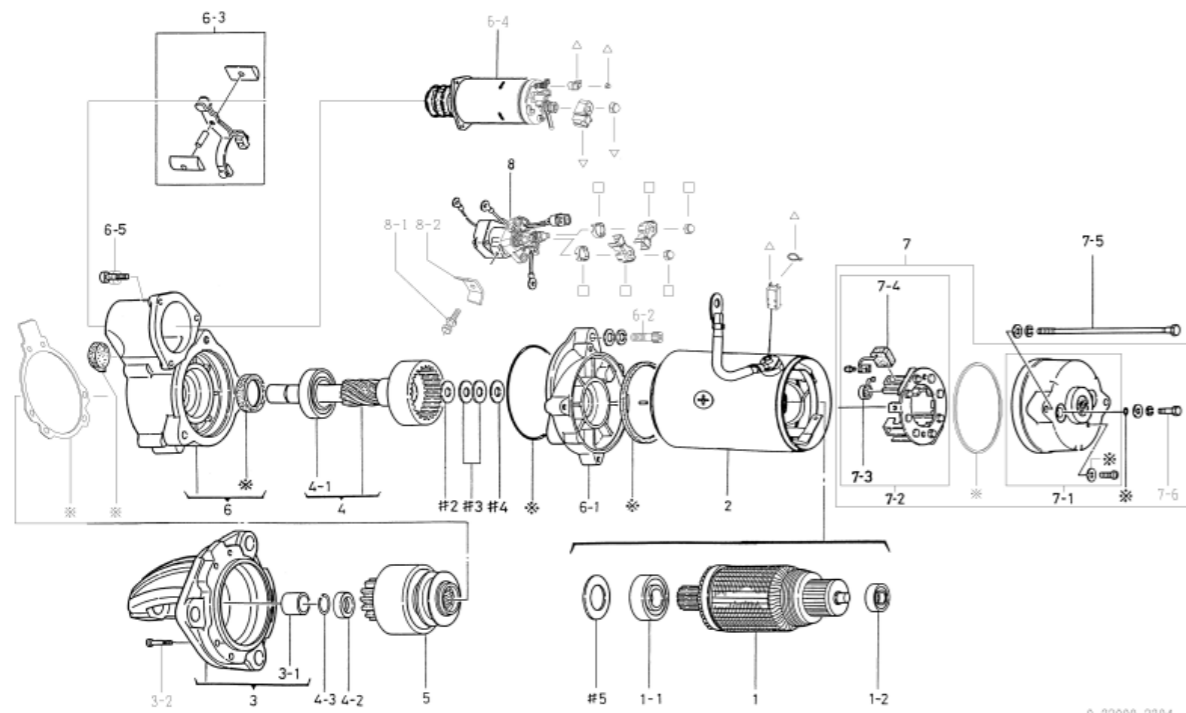
7-09210-2810	SEAL ASSY	
1-0345-05001	SEAL WASHER	1
0-23951-0331	PACKING	1
0-23951-0480	PACKING	1
1-23951-0020	PACKING	1
1-09210-1060	OIL SEAL	1
1-0505-00601	O RING	2
1-09211-0980	O RING	2

0-23000-3304 STARTING MOTOR

OEM CUSTOMER	KOMATSU	OEM PARTS NUMBER	600-813-6423
NOMINAL OUTPUT	24V 7.5Kw	SUPPLY TERM	15.05~
WEIGHT	15.5kg	SWITCH	SAFETY RELAY (INSTALLED ON RIGHT)
ENGINE MODEL	SA6D108-1C, J6D108E-C2, OTHER		
VEHICLE	EG150BS-5, MST2300, OTHER		
DESIGN RECORD	3300 → 3301 SFR CHANGED 3301 → 3302 JUMP START PROTECTION, SFR & MAG. SWITCH CHANGED 3302 → 3304 CAUTION PLATE CHANGED		
NOTE	WATER PROOF OIL PROOF φ 101.5		

0-23000-3302 STARTING MOTOR (MAKER PART NO 600-813-6422)

No	Parts Number	Maker Parts No	Description	Qty	List Price	Note
1	0-23100-0251		ARMATURE CO	1		
1-1	1-0454-62047		BALL BEARING	1		FRONT
1-2	1-0454-62007		BALL BEARING	1		REAR
2	0-23200-0634		YOKE ASSY	1		INCL. 2 PCS OF 7-4
3	0-23310-1584		FRONT BRACKET CO	1		INCLUDING 3-1
3-1	7-23351-0085		METAL	1		FRONT
3-2	1-0240-06305		BOLT	6		
4	7-23120-0310		SHAFT ASSY	1		INCLUDING 4-1
4-1	1-0454-60067		BALL BEARING	1		CENTER
4-2	1-23181-0020		PINION STOPPER	1		
4-3	1-23914-0020		CLIP RING	1		
5	0-23500-0174		O.R.CLUTCH ASSY	1		
6	0-23600-0391		CENTER BRACKET ASSY	1		INCLUDING OIL SEAL
6-1	0-23611-0692		CENTER BRACKET	1		
6-2	1-0240-08405		BOLT	3		
6-3	7-23320-0060		SHIFT LEVER ASSY	1		
6-4	7-47100-0244		MAG.SWITCH ASSY	1		
6-5	0-0274-06302		BOLT	3		
7	7-23700-0524		REAR BRACKET ASSY	1		INCL. 7-1 TO 7-4 & 7-6
7-1	0-23700-0130		R.BRACKET ASSY	1		
7-2	7-23750-0124		BRUSH HOLDER CO	1		INCLUDING 7-3, 7-4
7-3	1-23913-0040		BRUSH SPRING	4		
7-4	0-23740-0254		BRUSH CO	4		
7-5	0-23901-0170		BOLT	2		THROUGH BOLT
7-6	0-09001-4580		BOLT	2		
8	0-25000-9270		SWITCH	1		
8-1	0-0273-06502		BOLT	1		
8-2	0-47927-1390		HOLDER	1		
#2	1-23921-0130		WASHER	1		
#3	1-23921-0140		WASHER	2		FOR ADJUSTMENT
#4	1-23941-0040		INSULATE WASHER	1		
#5	0-23921-0230		WASHER	1		FOR ADJUSTMENT
※	7-09210-2810		SEAL ASSY	1		
△	7-47761-0010		MAG.SWITCH COVER ASSY	1		
□	7-47761-0030		SWITCH COVER ASSY	1		



0-23000-3304

7-09210-2810	SEAL ASSY	
1-0345-05001	SEAL WASHER	1
0-23951-0331	PACKING	1
0-23951-0480	PACKING	1
1-23951-0020	PACKING	1
1-09210-1060	OIL SEAL	1
1-0505-00601	O RING	2
1-09211-0980	O RING	2

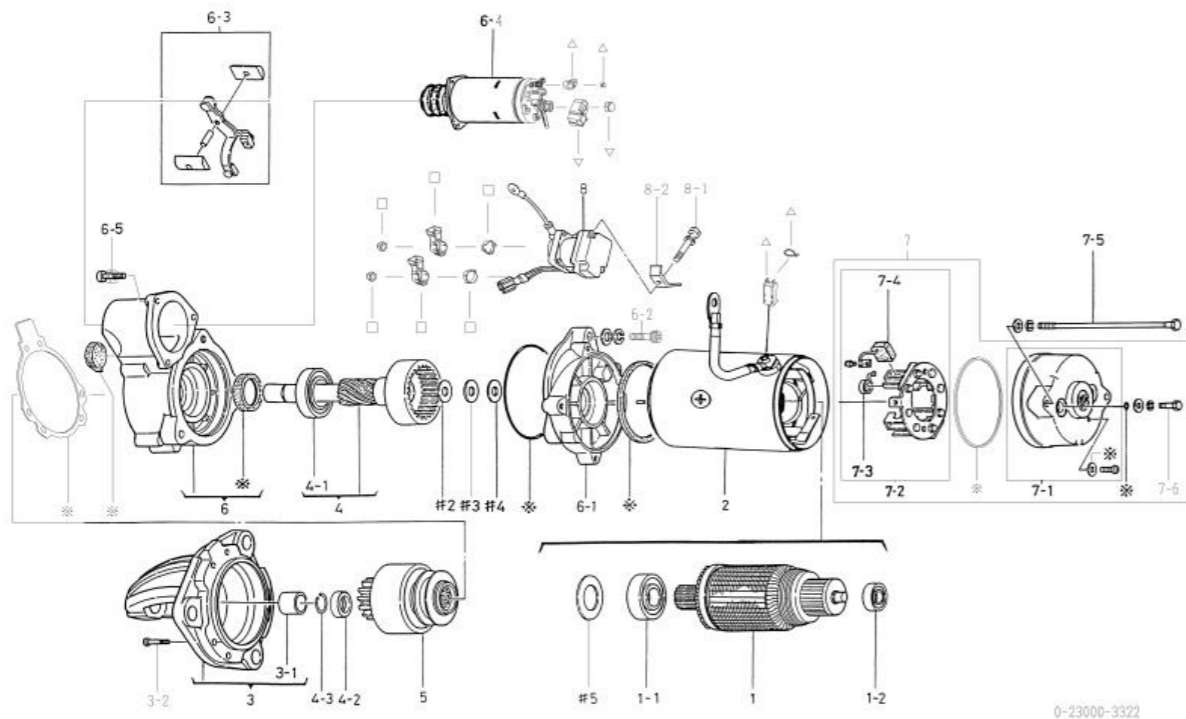
0-23000-3322 STARTING MOTOR

OEM CUSTOMER	KOMATSU	OEM PARTS NUMBER	600-813-6622
NOMINAL OUTPUT	24V 7.5Kw	SUPPLY TERM	02.07~
WEIGHT	15.5 kg	SWITCH	SAFETY RELAY (INSTALLED ON LEFT)
ENGINE MODEL	SA6D125-2L		
VEHICLE	LW250-5		
DESIGN RECORD	3320→3321	SFR CHANGED	
	3321→3322	JUMP START PROTECTION. SFR & MAG. SWITCH CHANGED	
NOTE	WATER PROOF OIL PROOF φ 101.5		

0-23000-3322 STARTING MOTOR (MAKER PART NO 600-813-6622)

No	Parts Number	Maker Parts No	Description	Qty	List Price	Note
1	0-23100-0251		ARMATURE CO	1		
1-1	1-0456-62047		BALL BEARING	1		FRONT
1-2	1-0456-62007		BALL BEARING	1		REAR
2	0-23200-0334		YOKE ASSY	1		INCL. 2PCS OF 7-4
3	0-23310-0866		FRONT BRACKET CO	1		INCLUDING 3-1
3-1	7-23351-0085		METAL	1		FRONT
3-2	1-0240-06305		BOLT	6		
4	7-23120-0310		SHAFT ASSY	1		INCLUDING 4-1
4-1	1-0454-60067		BALL BEARING	1		CENTER
4-2	1-23181-0020		PINION STOPPER	1		
4-3	1-23914-0020		CLIP RING	1		
5	0-23500-0174		O.R.CLUTCH ASSY	1		
6	0-23600-0250		CENTER BRACKET ASSY	1		INCLUDING OIL SEAL
6-1	0-23611-0692		CENTER BRACKET	1		
6-2	1-0240-08405		BOLT	3		
6-3	7-23320-0060		SHIFT LEVER ASSY	1		
6-4	7-47100-0230		MAG. SWITCH ASSY	1		
6-5	0-0274-06202		BOLT	3		
7	7-23700-0524		REAR BRACKET ASSY	1		INCL. 7-1 TO 7-4 & 7-6
7-1	0-23700-0130		REAR BRACKET ASSY	1		
7-2	7-23750-0124		BRUSH HOLDER CO	1		INCLUDING 7-3,7-4
7-3	1-23913-0040		BRUSH SPRING	4		
7-4	0-23740-0254		BRUSH CO	4		
7-5	0-23901-0170		BOLT	2		THROUGH BOLT
7-6	0-09001-4580		BOLT	2		
8	0-25000-8333		SWITCH	1		
8-1	0-0270-06402		BOLT	1		
8-2	1-47927-1250		HOLDER	1		
#2	1-23921-0130		WASHER	1		
#3	1-23921-0140		WASHER	1		FOR ADJUSTMENT
#4	1-23941-0040		INSULATE WASHER	1		
#5	0-23921-0230		WASHER	2		FOR ADJUSTMENT
△	7-47761-0010		MAG.SWITCH COVER ASSY	1		
□	7-47761-0030		SWITCH COVER ASSY	1		
※	7-09210-2820		SEAL ASSY	1		

※	7-09210-2820	SEAL ASSY	
	1-0345-05001	SEAL WASHER	1
	0-23951-0471	PACKING	1
	0-23951-0331	PACKING	1
	1-23951-0020	PACKING	1
	1-09210-1040	O RING	1
	1-0505-00601	O RING	2
	1-09211-0980	O RING	2



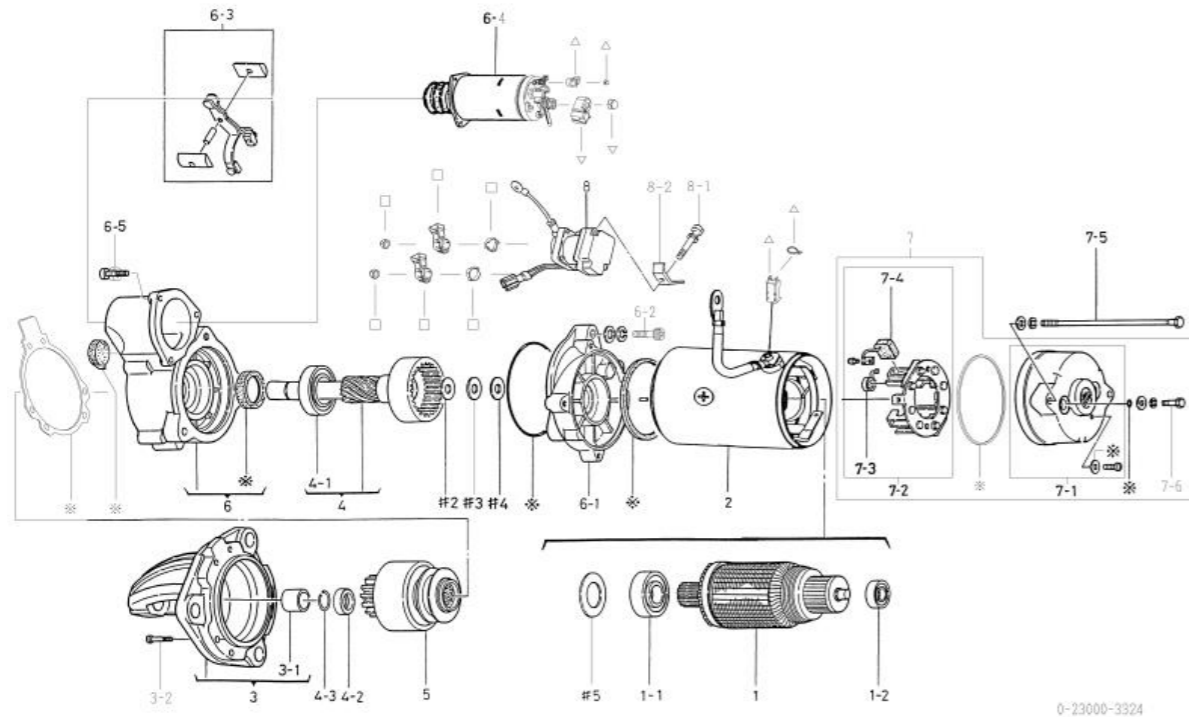
0-23000-3322

0-23000-3324 STARTING MOTOR

OEM CUSTOMER	KOMATSU	OEM PARTS NUMBER	600-813-6623
NOMINAL OUTPUT	24V 7.5Kw	SUPPLY TERM	15.05~
WEIGHT	15.5 kg	SWITCH	SAFETY RELAY (INSTALLED ON LEFT)
ENGINE MODEL	SA6D125-2L		
VEHICLE	LW250-5		
DESIGN RECORD	3320→3321	SFR CHANGED	
	3321→3322	JUMP START PROTECTION. SFR & MAG. SWITCH CHANGED	
	3322→3324	CAUTION PLATE CHANGED	
NOTE	WATER PROOF OIL PROOF φ101.5		

0-23000-3324 STARTING MOTOR (MAKER PART NO 600-813-6623)

No	Parts Number	Maker Parts No	Description	Qty	List Price	Note
1	0-23100-0251		ARMATURE CO	1		
1-1	1-0456-62047		BALL BEARING	1		FRONT
1-2	1-0456-62007		BALL BEARING	1		REAR
2	0-23200-0334		YOKE ASSY	1		INCL. 2PCS OF 7-4
3	0-23310-0866		FRONT BRACKET CO	1		INCLUDING 3-1
3-1	7-23351-0085		METAL	1		FRONT
3-2	1-0240-06305		BOLT	6		
4	7-23120-0310		SHAFT ASSY	1		INCLUDING 4-1
4-1	1-0454-60067		BALL BEARING	1		CENTER
4-2	1-23181-0020		PINION STOPPER	1		
4-3	1-23914-0020		CLIP RING	1		
5	0-23500-0174		O.R.CLUTCH ASSY	1		
6	0-23600-0250		CENTER BRACKET ASSY	1		INCLUDING OIL SEAL
6-1	0-23611-0692		CENTER BRACKET	1		
6-2	1-0240-08405		BOLT	3		
6-3	7-23320-0060		SHIFT LEVER ASSY	1		
6-4	7-47100-0234		MAG. SWITCH ASSY	1		
6-5	0-0274-06202		BOLT	3		
7	7-23700-0524		REAR BRACKET ASSY	1		INCL. 7-1 TO 7-4 & 7-6
7-1	0-23700-0130		REAR BRACKET ASSY	1		
7-2	7-23750-0124		BRUSH HOLDER CO	1		INCLUDING 7-3,7-4
7-3	1-23913-0040		BRUSH SPRING	4		
7-4	0-23740-0254		BRUSH CO	4		
7-5	0-23901-0170		BOLT	2		THROUGH BOLT
7-6	0-09001-4580		BOLT	2		
8	0-25000-8333		SWITCH	1		
8-1	0-0270-06402		BOLT	1		
8-2	1-47927-1250		HOLDER	1		
#2	1-23921-0130		WASHER	1		
#3	1-23921-0140		WASHER	1		FOR ADJUSTMENT
#4	1-23941-0040		INSULATE WASHER	1		
#5	0-23921-0230		WASHER	2		FOR ADJUSTMENT
△	7-47761-0010		MAG.SWITCH COVER ASSY	1		
□	7-47761-0030		SWITCH COVER ASSY	1		
※	7-09210-2820		SEAL ASSY	1		



0-23000-3324

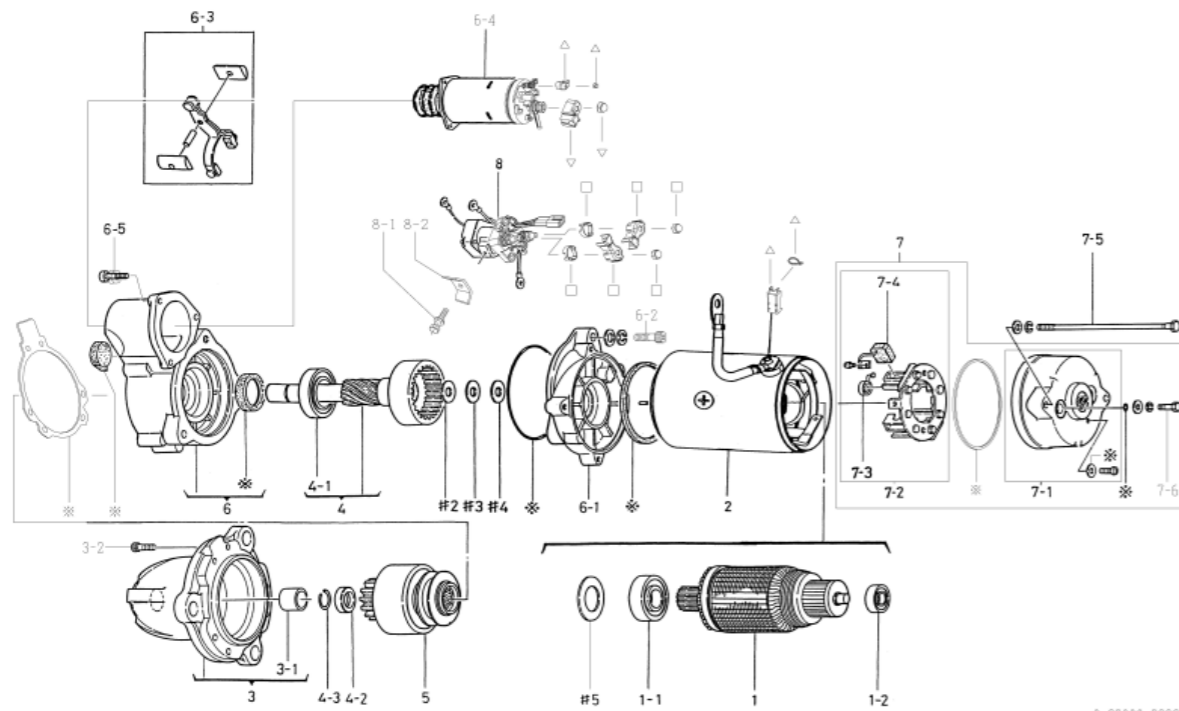
※	7-09210-2820	SEAL ASSY	
	1-0345-05001	SEAL WASHER	1
	0-23951-0471	PACKING	1
	0-23951-0331	PACKING	1
	1-23951-0020	PACKING	1
	1-09210-1040	O RING	1
	1-0505-00601	O RING	2
	1-09211-0980	O RING	2

0-23000-3332 STARTING MOTOR

OEM CUSTOMER	KOMATSU	OEM PARTS NUMBER	600-813-6632
NOMINAL OUTPUT	24V 7.5Kw	SUPPLY TERM	02.06~
WEIGHT	15.5kg	SWITCH	SAFETY RELAY (INSTALLED ON RIGHT)
ENGINE MODEL	SA6D125E-3, OTHER		
VEHICLE	D85EX-15, OTHER		
DESIGN RECORD	3330 → 3331 SFR CHANGED 3331 → 3332 JUMP START PROTECTION. SFR & MAG. SWITCH CHANGED		
NOTE	WATER PROOF OIL PROOF φ 101.5		

0-23000-3332 STARTING MOTOR (MAKER PART NO 600-813-6632)

No	Parts Number	Maker Parts No	Description	Qty	List Price	Note
1	0-23100-0251		ARMATURE CO	1		
1-1	1-0454-62047		BALL BEARING	1		FRONT
1-2	1-0454-62007		BALL BEARING	1		REAR
2	0-23200-0334		YOKE ASSY	1		INCL. 2PCS OF 7-4
3	0-23310-0866		FRONT BRACKET CO	1		INCLUDING 3-1
3-1	7-23351-0085		METAL	1		FRONT
3-2	1-0240-06305		BOLT	6		
4	7-23120-0310		SHAFT ASSY	1		INCLUDING 4-1
4-1	1-0454-60067		BALL BEARING	1		CENTER
4-2	1-23181-0020		PINION STOPPER	1		
4-3	1-23914-0020		CLIP RING	1		
5	1-23500-0174		O.R.CLUTCH ASSY	1		
6	0-23600-0430		CENTER BRACKET ASSY	1		INCLUDING OIL SEAL
6-1	0-23611-0692		CENTER BRACKET	1		
6-2	1-0240-08405		BOLT	3		
6-3	7-23320-0060		SHIFT LEVER ASSY	1		
6-4	7-47100-0240		MAG.SWITCH ASSY	1		
6-5	0-0274-06202		BOLT	3		
7	7-23700-0524		R.BRACKET ASSY	1		INCL. 7-1 TO 7-4 & 7-6
7-1	0-23700-0130		R.BRACKET ASSY	1		
7-2	7-23750-0124		BRUSH HOLDER CO	1		INCLUDING 7-3,7-4
7-3	1-23913-0040		BRUSH SPRING	4		
7-4	0-23740-0254		BRUSH CO	4		
7-5	0-23901-0170		BOLT	2		THROUGH BOLT
7-6	0-09001-4580		BOLT	2		
8	0-25000-8332		SWITCH	1		
8-1	0-0270-06402		BOLT	1		
8-2	1-47927-1250		HOLDER	1		
#2	1-23921-0130		WASHER	1		
#3	1-23921-0140		WASHER	1		FOR ADJUSTMENT
#4	1-23941-0040		INSULATE WASHER	1		
#5	0-23921-0230		WASHER	2		FOR ADJUSTMENT
△	7-47761-0010		MAG.SWITCH COVER ASSY	1		
□	7-47761-0030		SWITCH COVER ASSY	1		
※	7-09210-2830		SEAL ASSY	1		



0-23000-3332

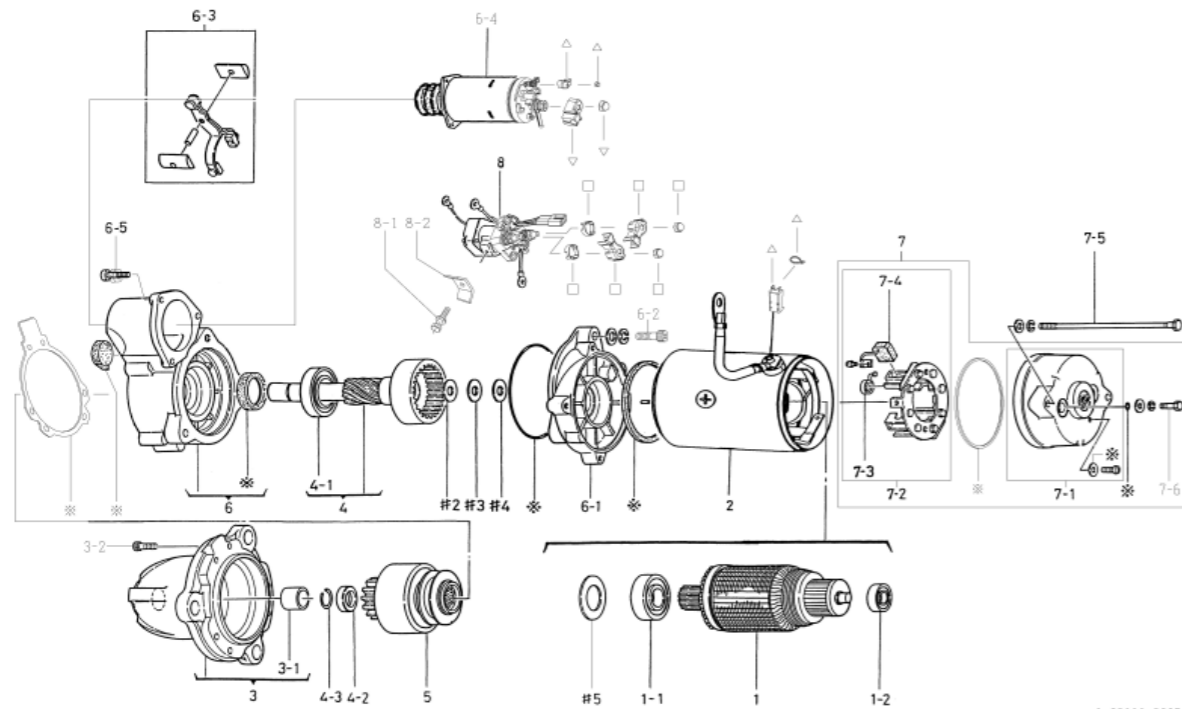
7-09210-2830	SEAL ASSY	
1-0345-05001	SEAL WASHER	1
0-23951-0471	PACKING	1
0-23951-0331	PACKING	1
1-23951-0020	PACKING	1
1-09210-1060	OIL SEAL	1
1-0505-00601	O RING	2
1-09211-0980	O RING	2

0-23000-3335 STARTING MOTOR

OEM CUSTOMER	KOMATSU	OEM PARTS NUMBER	600-813-6633
NOMINAL OUTPUT	24V 7.5Kw	SUPPLY TERM	15.05~
WEIGHT	15.5kg	SWITCH	SAFETY RELAY (INSTALLED ON RIGHT)
ENGINE MODEL	SA6D125E-3, OTHER		
VEHICLE	D85EX-15, OTHER		
DESIGN RECORD	3330 → 3331 SFR CHANGED 3331 → 3332 JUMP START PROTECTION. SFR & MAG. SWITCH CHANGED 3332 → 3335 CAUTION PLATE CHANGED		
NOTE	WATER PROOF OIL PROOF φ 101.5		

0-23000-3335 STARTING MOTOR (MAKER PART NO 600-813-6633)

No	Parts Number	Maker Parts No	Description	Qty	List Price	Note
1	0-23100-0251		ARMATURE CO	1		
1-1	1-0454-62047		BALL BEARING	1		FRONT
1-2	1-0454-62007		BALL BEARING	1		REAR
2	0-23200-0334		YOKE ASSY	1		INCL. 2PCS OF 7-4
3	0-23310-0866		FRONT BRACKET CO	1		INCLUDING 3-1
3-1	7-23351-0085		METAL	1		FRONT
3-2	1-0240-06305		BOLT	6		
4	7-23120-0310		SHAFT ASSY	1		INCLUDING 4-1
4-1	1-0454-60067		BALL BEARING	1		CENTER
4-2	1-23181-0020		PINION STOPPER	1		
4-3	1-23914-0020		CLIP RING	1		
5	1-23500-0174		O.R.CLUTCH ASSY	1		
6	0-23600-0430		CENTER BRACKET ASSY	1		INCLUDING OIL SEAL
6-1	0-23611-0692		CENTER BRACKET	1		
6-2	1-0240-08405		BOLT	3		
6-3	7-23320-0060		SHIFT LEVER ASSY	1		
6-4	7-47100-0244		MAG.SWITCH ASSY	1		
6-5	0-0274-06202		BOLT	3		
7	7-23700-0524		R.BRACKET ASSY	1		INCL. 7-1 TO 7-4 & 7-6
7-1	0-23700-0130		R.BRACKET ASSY	1		
7-2	7-23750-0124		BRUSH HOLDER CO	1		INCLUDING 7-3,7-4
7-3	1-23913-0040		BRUSH SPRING	4		
7-4	0-23740-0254		BRUSH CO	4		
7-5	0-23901-0170		BOLT	2		THROUGH BOLT
7-6	0-09001-4580		BOLT	2		
8	0-25000-8333		SWITCH	1		
8-1	0-0270-06402		BOLT	1		
8-2	1-47927-1250		HOLDER	1		
#2	1-23921-0130		WASHER	1		
#3	1-23921-0140		WASHER	1		FOR ADJUSTMENT
#4	1-23941-0040		INSULATE WASHER	1		
#5	0-23921-0230		WASHER	2		FOR ADJUSTMENT
△	7-47761-0010		MAG.SWITCH COVER ASSY	1		
□	7-47761-0030		SWITCH COVER ASSY	1		
※	7-09210-2830		SEAL ASSY	1		



0-23000-3335

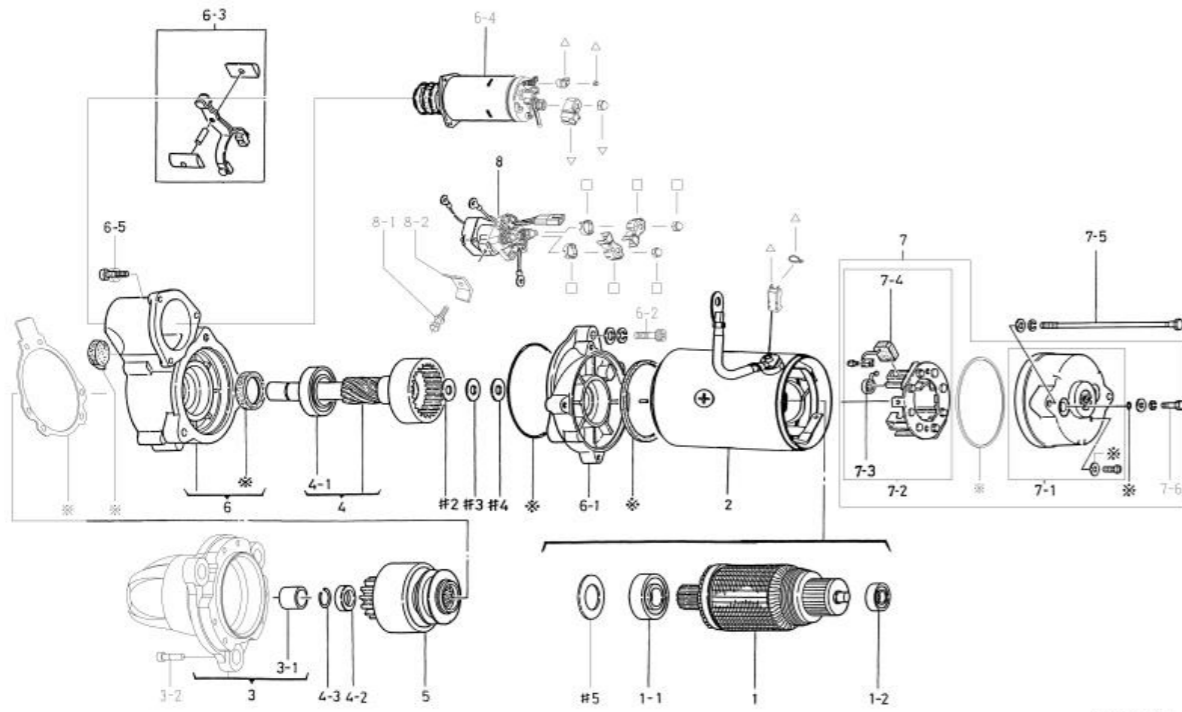
7-09210-2830	SEAL ASSY	
1-0345-05001	SEAL WASHER	1
0-23951-0471	PACKING	1
0-23951-0331	PACKING	1
1-23951-0020	PACKING	1
1-09210-1060	OIL SEAL	1
1-0505-00601	O RING	2
1-09211-0980	O RING	2

0-23000-3341 STARTING MOTOR

OEM CUSTOMER	KOMATSU	OEM PARTS NUMBER	600-863-5711
NOMINAL OUTPUT	24V 7.5Kw	SUPPLY TERM	02.07~
WEIGHT	15.5kg	SWITCH	SAFETY RELAY (INSTALLED ON RIGHT)
ENGINE MODEL	SAA6D114-2A B, OTHER		
VEHICLE	PC300E-7, WA380E-5, OTHER		
DESIGN RECORD	3340 → 3341 JUMP START PROTECTION. SFR & MAG. SWITCH CHANGED		
NOTE	WATER PROOF OIL PROOF φ 101.5		

0-23000-3341 STARTING MOTOR (MAKER PART NO 600-863-5711)

No	Parts Number	Maker Parts No	Description	Qty	List Price	Note
1	0-23100-0251		ARMATURE CO	1		
1-1	1-0454-62047		BALL BEARING	1		FRONT
1-2	1-0454-62007		BALL BEARING	1		REAR
2	0-23200-0334		YOKE ASSY	1		INCL. 2PCS OF 7-4
3	0-23310-1734		FRONT BRACKET CO	1		INCLUDING 3-1
3-1	7-23351-0085		METAL	1		FRONT
3-2	1-0240-06305		BOLT	6		
4	7-23120-0310		SHAFT ASSY	1		INCLUDING 4-1
4-1	1-0454-60067		BALL BEARING	1		CENTER
4-2	1-23181-0020		PINION STOPPER	1		
4-3	1-23914-0020		CLIP RING	1		
5	0-23500-0974		O.R.CLUTCH ASSY	1		
6	0-23600-0460		CENTER BRACKET ASSY	1		INCLUDING OIL SEAL
6-1	0-23611-0692		CENTER BRACKET	1		
6-2	1-0240-08405		BOLT	3		
6-3	7-23320-0060		SHIFT LEVER ASSY	1		
6-4	7-47100-0240		MAG.SWITCH ASSY	1		
6-5	0-0274-06202		BOLT	3		
7	7-23700-0524		R.BRACKET ASSY	1		INCL. 7-1 TO 7-4 & 7-6
7-1	0-23700-0130		R.BRACKET ASSY	1		
7-2	7-23750-0124		BRUSH HOLDER CO	1		INCLUDING 7-3,7-4
7-3	1-23913-0040		BRUSH SPRING	4		
7-4	0-23740-0254		BRUSH CO	4		
7-5	0-23901-0170		BOLT	2		THROUGH BOLT
7-6	0-09001-4580		BOLT	2		
8	0-25000-8333		SWITCH	1		
8-1	0-0270-06402		BOLT	1		
8-2	1-47927-1250		HOLDER	1		
#2	1-23921-0130		WASHER	1		
#3	1-23921-0140		WASHER	1		FOR ADJUSTMENT
#4	1-23941-0040		INSULATE WASHER	1		
#5	0-23921-0230		WASHER	2		FOR ADJUSTMENT
△	7-47761-0010		MAG.SWITCH COVER ASSY	1		
□	7-47761-0030		SWITCH COVER ASSY	1		
※	7-09210-2830		SEAL ASSY	1		



0-23000-3341

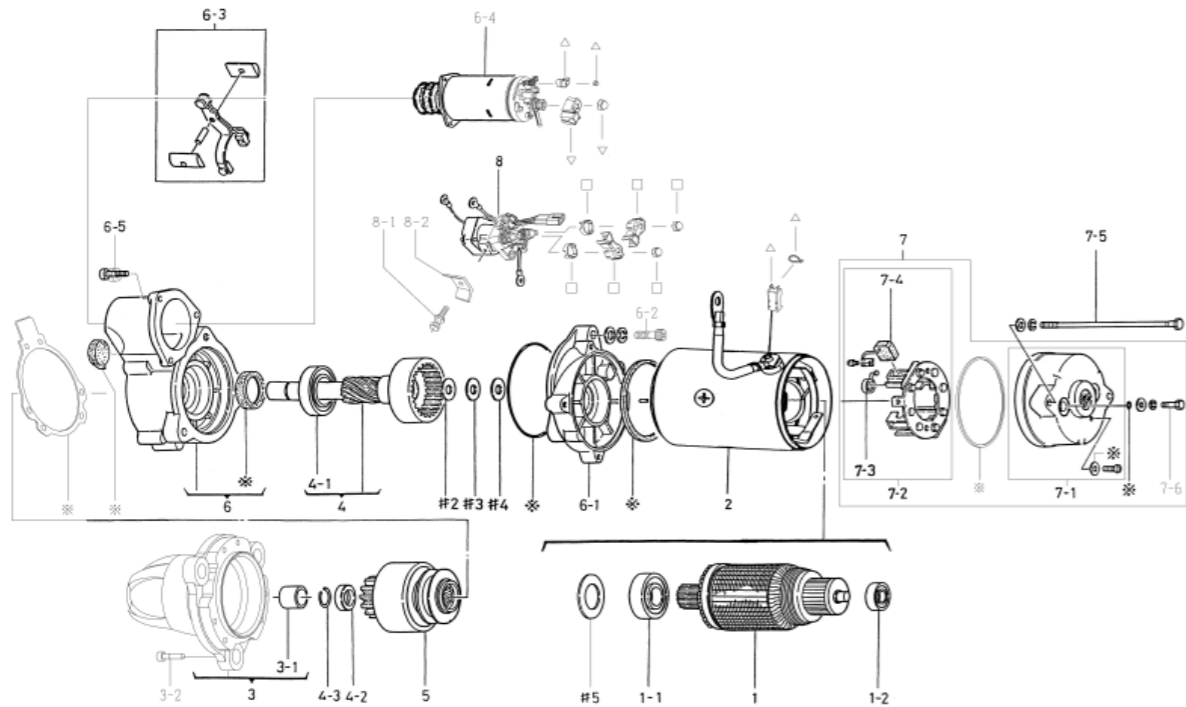
7-09210-2830	SEAL ASSY	
1-0345-05001	SEAL WASHER	1
0-23951-0471	PACKING	1
0-23951-0331	PACKING	1
1-23951-0020	PACKING	1
1-09210-1060	OIL SEAL	1
1-0505-00601	O RING	2
1-09211-0980	O RING	2

0-23000-3345 STARTING MOTOR

OEM CUSTOMER	KOMATSU	OEM PARTS NUMBER	600-863-5712
NOMINAL OUTPUT	24V 7.5Kw	SUPPLY TERM	14.03~
WEIGHT	15.5kg	SWITCH	SAFETY RELAY (INSTALLED ON RIGHT)
ENGINE MODEL	SAA6D114-2A B, OTHER		
VEHICLE	PC300E-7, WA380E-5, OTHER		
DESIGN RECORD	3340 → 3341 SAFETY, SFR AND MAG.SWITCH CHANGED 3341 → 3345 CAUTION PLATE CHANGED		
NOTE	WATER PROOF OIL PROOF φ 101.5		

0-23000-3345 STARTING MOTOR (MAKER PART NO 600-863-5712)

No	Parts Number	Maker Parts No	Description	Qty	List Price	Note
1	0-23100-0251		ARMATURE CO	1		
1-1	1-0454-62047		BALL BEARING	1		FRONT
1-2	1-0454-62007		BALL BEARING	1		REAR
2	0-23200-0334		YOKE ASSY	1		INCL. 2PCS OF 7-4
3	0-23310-1734		FRONT BRACKET CO	1		INCLUDING 3-1
3-1	7-23351-0085		METAL	1		FRONT
3-2	1-0240-06305		BOLT	6		
4	7-23120-0310		SHAFT ASSY	1		INCLUDING 4-1
4-1	1-0454-60067		BALL BEARING	1		CENTER
4-2	1-23181-0020		PINION STOPPER	1		
4-3	1-23914-0020		CLIP RING	1		
5	0-23500-0974		O.R.CLUTCH ASSY	1		
6	0-23600-0460		CENTER BRACKET ASSY	1		INCLUDING OIL SEAL
6-1	0-23611-0692		CENTER BRACKET	1		
6-2	1-0240-08405		BOLT	3		
6-3	7-23320-0060		SHIFT LEVER ASSY	1		
6-4	7-47100-0244		MAG.SWITCH ASSY	1		
6-5	0-0274-06202		BOLT	3		
7	7-23700-0524		R.BRACKET ASSY	1		INCL. 7-1 TO 7-4 & 7-6
7-1	0-23700-0130		R.BRACKET ASSY	1		
7-2	7-23750-0124		BRUSH HOLDER CO	1		INCLUDING 7-3, 7-4
7-3	1-23913-0040		BRUSH SPRING	4		
7-4	0-23740-0254		BRUSH CO	4		
7-5	0-23901-0170		BOLT	2		THROUGH BOLT
7-6	0-09001-4580		BOLT	2		
8	0-25000-8333		SWITCH	1		
8-1	0-0270-06402		BOLT	1		
8-2	1-47927-1250		HOLDER	1		
#2	1-23921-0130		WASHER	1		
#3	1-23921-0140		WASHER	1		FOR ADJUSTMENT
#4	1-23941-0040		INSULATE WASHER	1		
#5	0-23921-0230		WASHER	2		FOR ADJUSTMENT
△	7-47761-0010		MAG.SWITCH COVER ASSY	1		
□	7-47761-0030		SWITCH COVER ASSY	1		
※	7-09210-2830		SEAL ASSY	1		



0-23000-3345

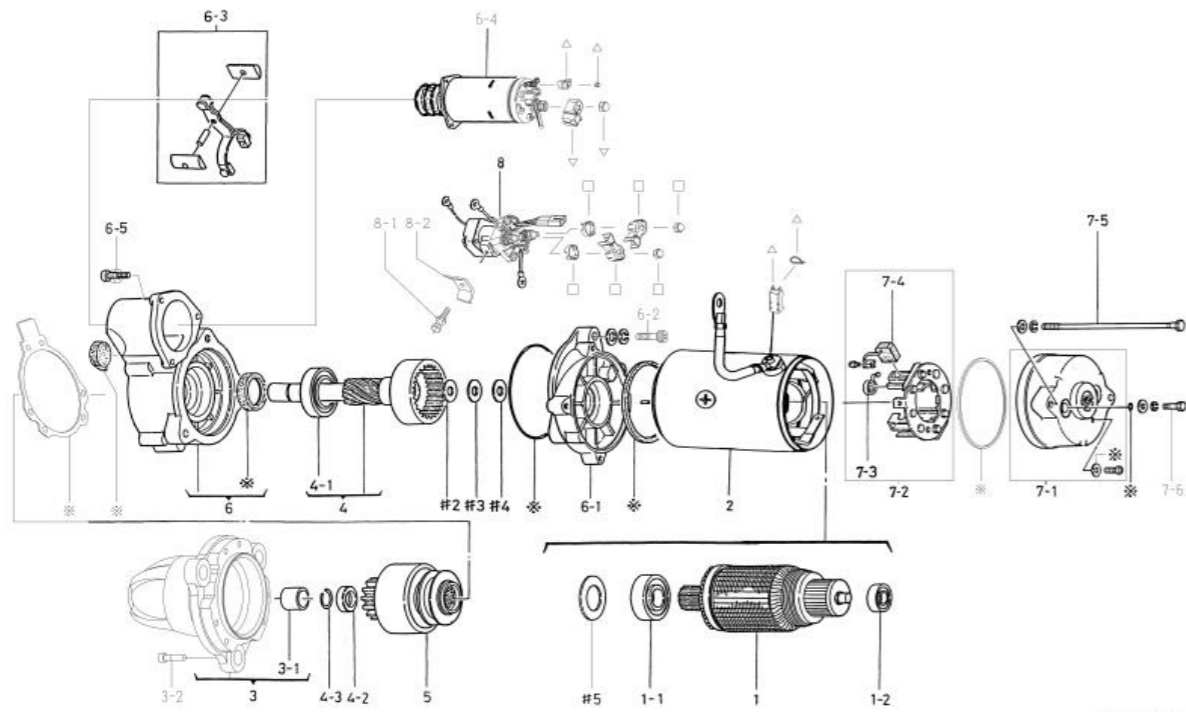
7-09210-2830	SEAL ASSY	
1-0345-05001	SEAL WASHER	1
0-23951-0471	PACKING	1
0-23951-0331	PACKING	1
1-23951-0020	PACKING	1
1-09210-1060	OIL SEAL	1
1-0505-00601	O RING	2
1-09211-0980	O RING	2

0-23000-3360 STARTING MOTOR

OEM CUSTOMER	KOMATSU	OEM PARTS NUMBER	600-863-5910
NOMINAL OUTPUT	24V 7.5Kw	SUPPLY TERM	05.12~
WEIGHT	15.5kg	SWITCH	SAFETY RELAY (INSTALLED ON RIGHT)
ENGINE MODEL	SAA6D114E-3, OTHERS		
VEHICLE	PC-300, OTHERS		
DESIGN RECORD			
NOTE	WATER PROOF OIL PROOF $\phi 101.5$ CORROSION-RESISTENT SPECIFICATION OF 0-23000-3341		

0-23000-3360 STARTING MOTOR (MAKER PART NO 600-863-5910)

No	Parts Number	Maker Parts No	Description	Qty	List Price	Note
1	0-23100-0251		ARMATURE CO	1		
1-1	1-0454-62047		BALL BEARING	1		FRONT
1-2	1-0454-62007		BALL BEARING	1		REAR
2	0-23200-0334		YOKE ASSY	1		INCLUDING 2 PCS OF 7-4
3	0-23310-1734		FRONT BRACKET CO	1		INCLUDING 3-1
3-1	7-23351-0085		METAL	1		FRONT
3-2	1-0240-06305		BOLT	6		
4	7-23120-0310		SHAFT ASSY	1		INCLUDING 4-1
4-1	1-0454-60067		BALL BEARING	1		CENTER
4-2	1-23181-0020		PINION STOPPER	1		
4-3	1-23914-0020		CLIP RING	1		
5	0-23500-0974		O.R.CLUTCH ASSY	1		
6	0-23600-0460		CENTER BRACKET ASSY	1		INCLUDING OIL SEAL
6-1	0-23611-0692		CENTER BRACKET	1		
6-2	1-0240-08405		BOLT	3		
6-3	7-23320-0060		SHIFT LEVER ASSY	1		
6-4	0-47100-5220		MAG.SWITCH ASSY	1		
6-5	0-0274-06202		BOLT	3		
7-1	0-23700-0130		R.BRACKET ASSY	1		
7-2	0-23750-0554		BRUSH HOLDER CO	1		INCLUDING 7-3, 7-4
7-3	1-23913-0041		BRUSH SPRING	4		
7-4	0-23740-0254		BRUSH CO	4		
7-5	0-23901-0170		BOLT	2		THROUGH BOLT
7-6	0-09001-4580		BOLT	2		
8	0-25000-9080		SWITCH	1		
8-1	0-0270-06402		BOLT	1		
8-2	1-47927-1250		HOLDER	1		
#2	1-23921-0130		WASHER	1		
#3	1-23921-0140		WASHER	1		FOR ADJUSTMENT
#4	1-23941-0040		INSULATE WASHER	1		
#5	0-23921-0230		WASHER	2		FOR ADJUSTMENT
△	7-47761-0010		MAG.SWITCH COVER ASSY	1		
□	7-47761-0030		SWITCH COVER ASSY	1		
※	7-09210-2830		SEAL ASSY	1		



0-23000-3360

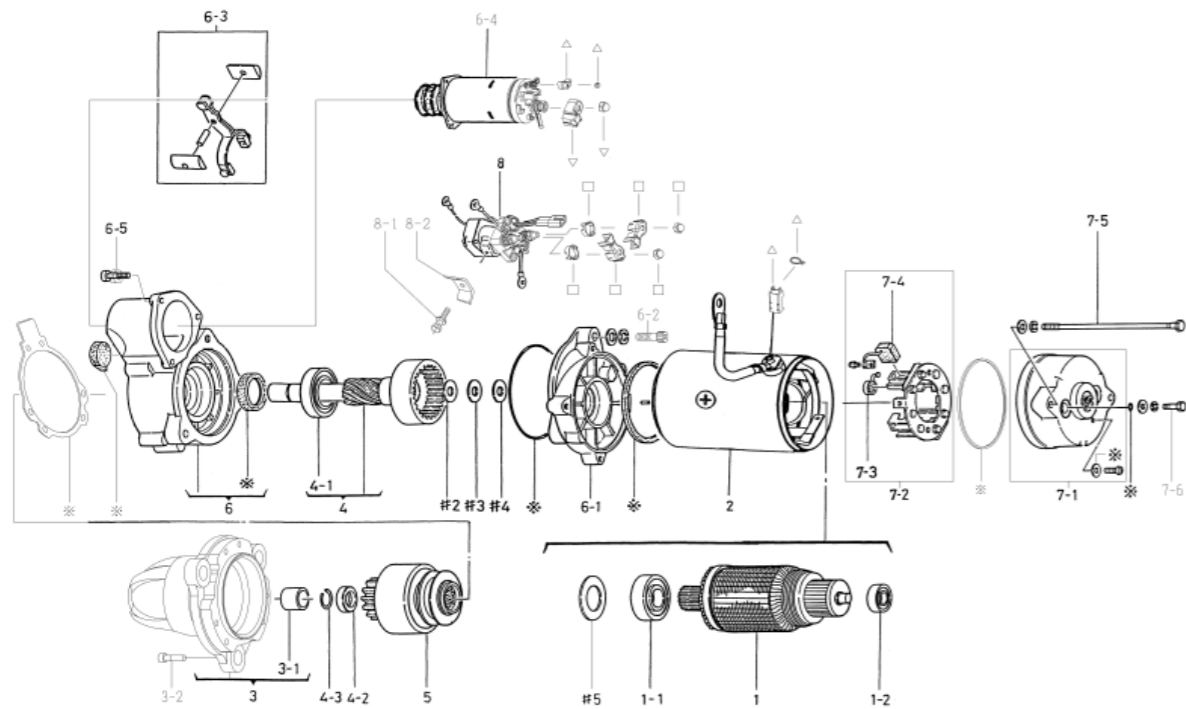
7-09210-2830	SEAL ASSY		
1-0345-05001	SEAL WASHER	1	
0-23951-0471	PACKING	1	
0-23951-0331	PACKING	1	
1-23951-0020	PACKING	1	
1-09210-1060	OIL SEAL	1	
1-0505-00601	O RING	2	
1-09211-0980	O RING	2	

0-23000-3364 STARTING MOTOR

OEM CUSTOMER	KOMATSU	OEM PARTS NUMBER	600-863-5911
NOMINAL OUTPUT	24V 7.5Kw	SUPPLY TERM	14.03~
WEIGHT	15.5kg	SWITCH	SAFETY RELAY (INSTALLED ON RIGHT)
ENGINE MODEL	SAA6D114E-3, OTHERS		
VEHICLE	PC-300, OTHERS		
DESIGN RECORD	3360 → 3364 CAUTION PLATE CHANGED		
NOTE	WATER PROOF OIL PROOF φ101.5 CORROSION-RESISTENT SPECIFICATION OF 0-23000-3341		

0-23000-3364 STARTING MOTOR (MAKER PART NO 600-863-5911)

No	Parts Number	Maker Parts No	Description	Qty	List Price	Note
1	0-23100-0251		ARMATURE CO	1		
1-1	1-0454-62047		BALL BEARING	1		FRONT
1-2	1-0454-62007		BALL BEARING	1		REAR
2	0-23200-0334		YOKE ASSY	1		INCLUDING 2 PCS OF 7-4
3	0-23310-1734		FRONT BRACKET CO	1		INCLUDING 3-1
3-1	7-23351-0085		METAL	1		FRONT
3-2	1-0240-06305		BOLT	6		
4	7-23120-0310		SHAFT ASSY	1		INCLUDING 4-1
4-1	1-0454-60067		BALL BEARING	1		CENTER
4-2	1-23181-0020		PINION STOPPER	1		
4-3	1-23914-0020		CLIP RING	1		
5	0-23500-0974		O.R.CLUTCH ASSY	1		
6	0-23600-0460		CENTER BRACKET ASSY	1		INCLUDING OIL SEAL
6-1	0-23611-0692		CENTER BRACKET	1		
6-2	1-0240-08405		BOLT	3		
6-3	7-23320-0060		SHIFT LEVER ASSY	1		
6-4	0-47100-5220		MAG.SWITCH ASSY	1		
6-5	0-0274-06202		BOLT	3		
7-1	0-23700-0130		R.BRACKET ASSY	1		
7-2	0-23750-0554		BRUSH HOLDER CO	1		INCLUDING 7-3, 7-4
7-3	1-23913-0041		BRUSH SPRING	4		
7-4	0-23740-0254		BRUSH CO	4		
7-5	0-23901-0170		BOLT	2		THROUGH BOLT
7-6	0-09001-4580		BOLT	2		
8	0-25000-9080		SWITCH	1		
8-1	0-0270-06402		BOLT	1		
8-2	1-47927-1250		HOLDER	1		
#2	1-23921-0130		WASHER	1		
#3	1-23921-0140		WASHER	1		FOR ADJUSTMENT
#4	1-23941-0040		INSULATE WASHER	1		
#5	0-23921-0230		WASHER	2		FOR ADJUSTMENT
△	7-47761-0010		MAG.SWITCH COVER ASSY	1		
□	7-47761-0030		SWITCH COVER ASSY	1		
※	7-09210-2830		SEAL ASSY	1		



0-23000-3364

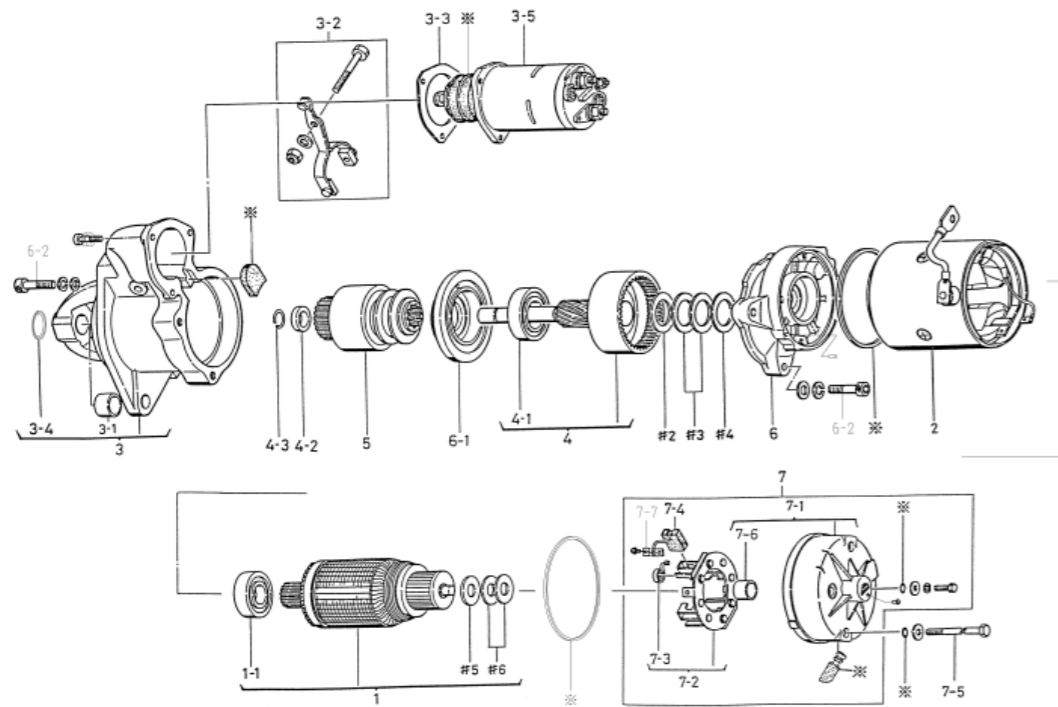
7-09210-2830	SEAL ASSY	
1-0345-05001	SEAL WASHER	1
0-23951-0471	PACKING	1
0-23951-0331	PACKING	1
1-23951-0020	PACKING	1
1-09210-1060	OIL SEAL	1
1-0505-00601	O RING	2
1-09211-0980	O RING	2

0-23000-6072 STARTING MOTOR

OEM CUSTOMER	ISUZU	OEM PARTS NUMBER	1-81100266-0
NOMINAL OUTPUT	24V 7.4Kw	SUPPLY TERM	86.07~
WEIGHT	14.8kg	SWITCH	
ENGINE MODEL	10PC1		
VEHICLE	LV217, LV219, LV719, OTHERS		
DESIGN RECORD			
NOTE	DRIP PROOF $\phi 114$		

0-23000-6072 STARTING MOTOR (MAKER PART NO 1-81100266-0)

No	Parts Number	Maker Parts No	Description	Qty	List Price	Note
1	7-23100-0040	1-81121033-0	ARMATURE ASSY	1		INCL. 1-1, #5 & #6
1-1	1-0456-62047	1-81129294-0	BALL BEARING	1		FRONT
2	0-23200-0056		YOKE ASSY	1		INCLUDING 2 PCS OF 7-4, 2 PCS OF 7-7
3	1-23310-0094		FRONT BRACKET CO	1		INCLUDING 3-1, 3-4
3-1	7-23351-0085		METAL	1		FRONT
3-2	7-23320-0080	1-81127047-0	SHIFT LEVER ASSY	1		
3-3	1-23922-0060	1-81129287-0	PLATE	1		
3-4	1-23761-0010	1-81129305-0	COVER	1		
3-5	0-47100-3079	1-81151083-0	MAG.SWITCH ASSY	1		FOR AFTERMARKET
4	7-23120-0040	1-81123017-0	SHAFT ASSY	1		INCLUDING 4-1
4-1	1-0456-60067	1-81129200-0	BALL BEARING	1		CENTER
4-2	1-23181-0020	1-81129190-0	PINION STOPPER	1		
4-3	1-23914-0020	1-81129189-0	CLIP RING	1		
5	0-23500-0876	1-81129689-0	O.R.CLUTCH ASSY	1		
6	1-23611-0082	1-81113083-0	CENTER BRACKET	1		
6-1	1-23611-0071	1-81113084-0	CENTER BRACKET	1		
6-2	1-0240-084045	1-81129293-0	BOLT	3		
7	7-23700-0695		R.BRACKET ASSY	1		INCL. 7-1 TO 7-4 & 7-6 (NOT 7-7)
7-1	0-23710-0105		REAR BRACKET CO	1		INCLUDING 7-6
7-2	7-23750-0024		BRUSH HOLDER CO	1		INCL. 7-3, 7-4 & 7-7
7-3	1-23913-0040	1-81117016-0	BRUSH SPRING	4		
7-4	0-23740-0354	8-98155018-0	BRUSH CO	4		
7-5	0-23901-0030	1-81129292-0	BOLT	2		THROUGH BOLT
7-6	7-23351-0064		METAL	1		REAR
7-7	1-25922-2800		PLATE	4		
#2	1-23921-0130	5-81129160-0	WASHER	1		
#3	1-23921-0140	5-81129159-0	WASHER	2		FOR ADJUSTMENT
#4	1-23941-0040	1-81129295-0	INSULATE WASHER	1		
#5	1-21921-1530	1-81129289-0	WASHER	1		
#6	1-23921-0170	1-81129290-0	WASHER	2		FOR ADJUSTMENT
※	7-09210-0861	1-81129570-0	SEAL ASSY	1		



0-23000-6072

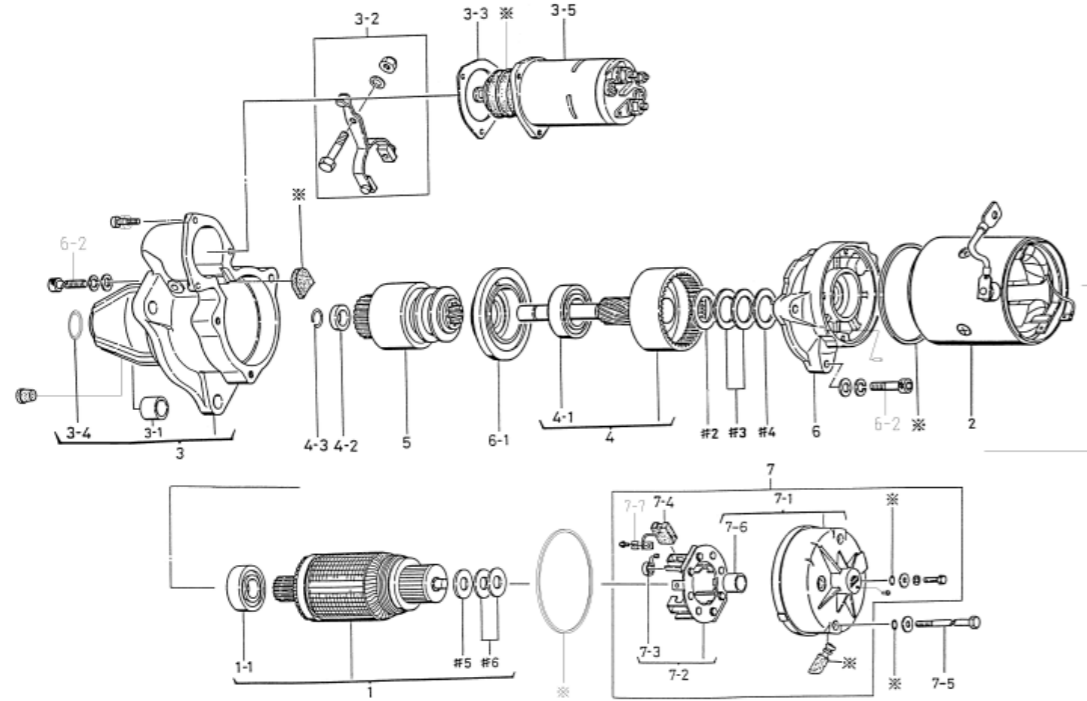
7-09210-0861	SEAL ASSY	
1-0345-05001	SEAL WASHER	2
1-0505-00501	O RING	2
1-0505-00601	O RING	2
1-09211-0380	O RING	1
1-23951-0050	PACKING	1
1-23951-0120	PACKING	1
1-23951-0130	PACKING	1
0-23952-0020	GUM CAP	1
0-47952-0372	GUM CAP	1

0-23000-6103 STARTING MOTOR

OEM CUSTOMER	ISUZU	OEM PARTS NUMBER	1-81100265-0
NOMINAL OUTPUT	24V 7.4Kw	SUPPLY TERM	86.08~
WEIGHT	14.8kg	SWITCH	
ENGINE MODEL	6QA2		
VEHICLE	LV214, LV314, LV318, OTHERS		
DESIGN RECORD	6102→6103 RUBBER BELLOWS, DRAIN HOSE CHANGED		
NOTE	DRIP PROOF φ114		

0-23000-6103 STARTING MOTOR (MAKER PART NO 1-81100265-0)

No	Parts Number	Maker Parts No	Description	Qty	List Price	Note
1	7-23100-0040	1-81121033-0	ARMATURE ASSY	1		INCL. 1-1, #5 & #6
1-1	1-0456-62047	1-81129294-0	BALL BEARING	1		FRONT
2	0-23200-0056		YOKE ASSY	1		INCL. 2 PCS OF 7-4, 2 PCS OF 7-7
3	0-23310-0185		FRONT BRACKET CO	1		INCLUDING 3-1, 3-4
3-1	7-23351-0085		METAL	1		FRONT
3-2	7-23320-0080	1-81127047-0	SHIFT LEVER ASSY	1		
3-3	1-23922-0060	1-81129287-0	PLATE	1		
3-4	1-23761-0010	1-81129305-0	COVER	1		
3-5	0-47100-3079	1-81151083-0	MAG.SWITCH ASSY	1		FOR AFTER MARKET
4	7-23120-0040	1-81123017-0	SHAFT ASSY	1		INCLUDING 4-1
4-1	1-0456-60067	1-81129200-0	BALL BEARING	1		CENTER
4-2	1-23181-0020	1-81129190-0	PINION STOPPER	1		
4-3	1-23914-0020	1-81129189-0	CLIP RING	1		
5	0-23500-0096	1-81122040-0	O.R.CLUTCH ASSY	1		
6	1-23611-0082	1-81113083-0	CENTER BRACKET	1		
6-1	1-23611-0071	1-81113084-0	CENTER BRACKET	1		
6-2	1-0240-08405	1-81129293-0	BOLT	3		
7	7-23700-0696	1-81115206-0	R.BRACKET ASSY	1		INCL. 7-1 TO 7-4 & 7-6 (NOT 7-7)
7-1	0-23710-0104	1-81115207-0	REAR BRACKET CO	1		INCLUDING 7-6
7-2	7-23750-0024		BRUSH HOLDER CO	1		INCL. 7-3, 7-4 & 7-7
7-3	1-23913-0040	1-81117016-0	BRUSH SPRING	4		
7-4	0-23740-0354	8-98155018-0	BRUSH CO	4		
7-5	0-23901-0030	1-81129292-0	BOLT	2		THROUGH BOLT
7-6	7-23351-0064		METAL	1		REAR
7-7	1-25922-2800		PLATE	4		
#2	1-23921-0130	5-81129160-0	WASHER	1		
#3	1-23921-0140	5-81129159-0	WASHER	2		FOR ADJUSTMENT
#4	1-23941-0040	1-81129295-0	INSULATE WASHER	1		
#5	1-21921-1530	1-81129289-0	WASHER	1		
#6	1-23921-0170	1-81129290-0	WASHER	2		FOR ADJUSTMENT
※	7-09210-0861	1-81129570-0	SEAL ASSY	1		

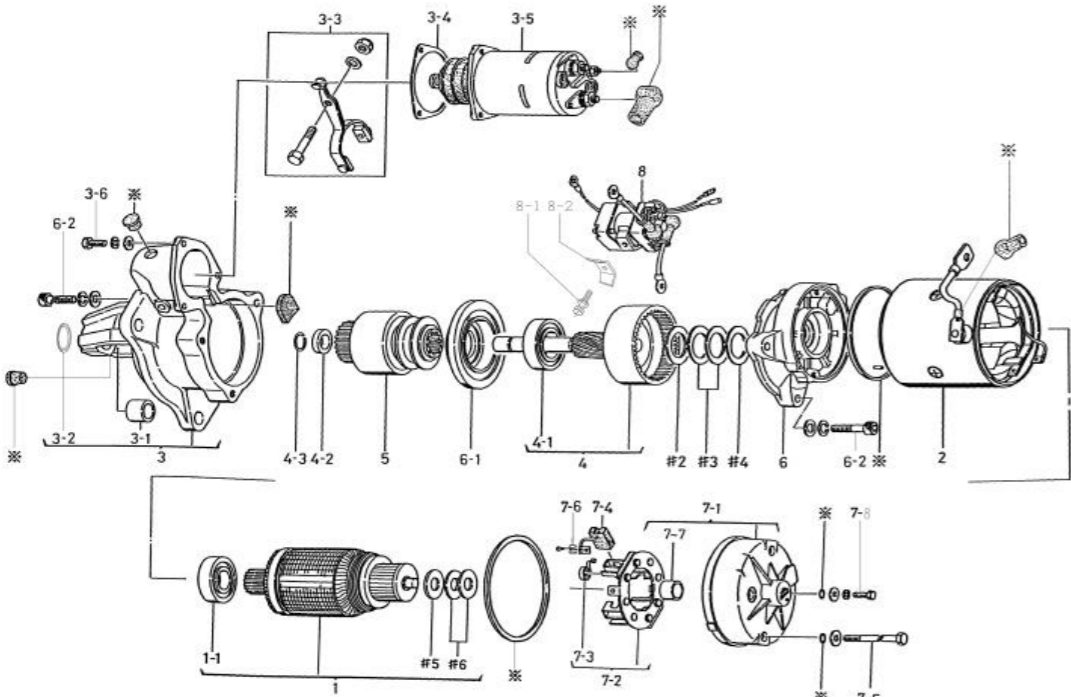


0-23000-6103

7-09210-0861	SEAL ASSY	
1-0345-05001	SEAL WASHER	2
1-0505-00501	O RING	2
1-0505-00601	O RING	2
1-09211-0380	O RING	1
1-23951-0050	PACKING	1
1-23951-0120	PACKING	1
1-23951-0130	PACKING	1
0-23952-0020	GUM CAP	1
0-47952-0372	GUM CAP	1

0-23000-6141 STARTING MOTOR

OEM CUSTOMER	ISUZU	OEM PARTS NUMBER	1-81100187-0
NOMINAL OUTPUT	24V 7.4Kw	SUPPLY TERM	01.06~
WEIGHT	15.1kg	SWITCH	SAFETY RELAY (INSTALLED ON RIGHT)
ENGINE MODEL	E120M, DH100M		
VEHICLE	MARINE		
DESIGN RECORD	6140 → 6141 SFR CHANGED		
NOTE	DRIP PROOF φ114 1 WIRE MARINE SPECIFICATION		



0-23000-6141

0-23000-6141 STARTING MOTOR (MAKER PART NO 1-81100187-0)

No	Parts Number	Maker Parts No	Description	Qty	List Price	Note
1	7-23100-0040	1-81121033-0	ARMATURE CO	1		INCL. 1-1, #5 & #6
1-1	1-0456-62047	1-81129294-0	BALL BEARING	1		FRONT
2	0-23200-1170		YOKE ASSY	1		INCL. 2 PCS OF 7-4
3	1-23310-0245		FRONT BRACKET CO	1		INCLUDING 3-1, 3-4
3-1	7-23351-0085		METAL	1		FRONT
3-2	1-23761-0010	1-81129305-0	COVER	1		
3-3	7-23320-0080	1-81127047-0	SHIFT LEVER ASSY	1		
3-4	1-23922-0060	1-23922-0060	PLATE	1		
3-5	0-47100-3073	1-81151056-0	MAG.SWITCH ASSY	1		
3-6	0-0274-06202	8-94178026-0	BOLT	3		
4	7-23120-0040	1-81123017-0	SHAFT ASSY	1		INCLUDING 4-1
4-1	1-0456-60067	1-81129200-0	BALL BEARING	1		CENTER
4-2	1-23181-0020	1-81129190-0	PINION STOPPER	1		
4-3	1-23914-0020	1-81129189-0	CLIP RING	1		
5	0-23500-0096	1-81122040-0	O.R.CLUTCH ASSY	1		
6	1-23611-0081	1-81113063-0	CENTER BRACKET	1		
6-1	1-23611-0070	1-81113057-0	CENTER BRACKET	1		
6-2	1-0240-08405	1-81129293-0	BOLT	3		
7-1	0-23710-0320		REAR BRACKET	1		INCLUDING 7-7
7-2	7-23750-0034		BRUSH HOLDER CO	1		INCL. 7-3, 7-4 & 7-6
7-3	1-23913-0041	1-81128022-0	BRUSH SPRING	4		
7-4	0-23740-0354	8-98155018-0	BRUSH CO	4		
7-5	0-23901-0030	1-81129292-0	BOLT	2		THROUGH BOLT
7-6	1-25922-2800		PLATE	4		
7-7	7-23351-0064		METAL	1		REAR
7-8	0-09001-4181	1-81129619-0	BOLT	2		
8	0-25000-6162	1-82553025-0	SWITCH	1		
8-1	0-0270-06552		BOLT			
8-2	1-47927-0921		HOLDER	1		
#2	1-23921-0130	5-81129160-0	WASHER	1		
#3	1-23921-0140	5-81129159-0	WASHER	2		FOR ADJUSTMENT
#4	1-23941-0040	1-81129295-0	INSULATE WASHER	1		
#5	1-21921-1530	1-81129289-0	WASHER	1		
#6	1-23921-0170	1-81129290-0	WASHER	2		FOR ADJUSTMENT
※	7-09210-2840		SEAL ASSY	1		

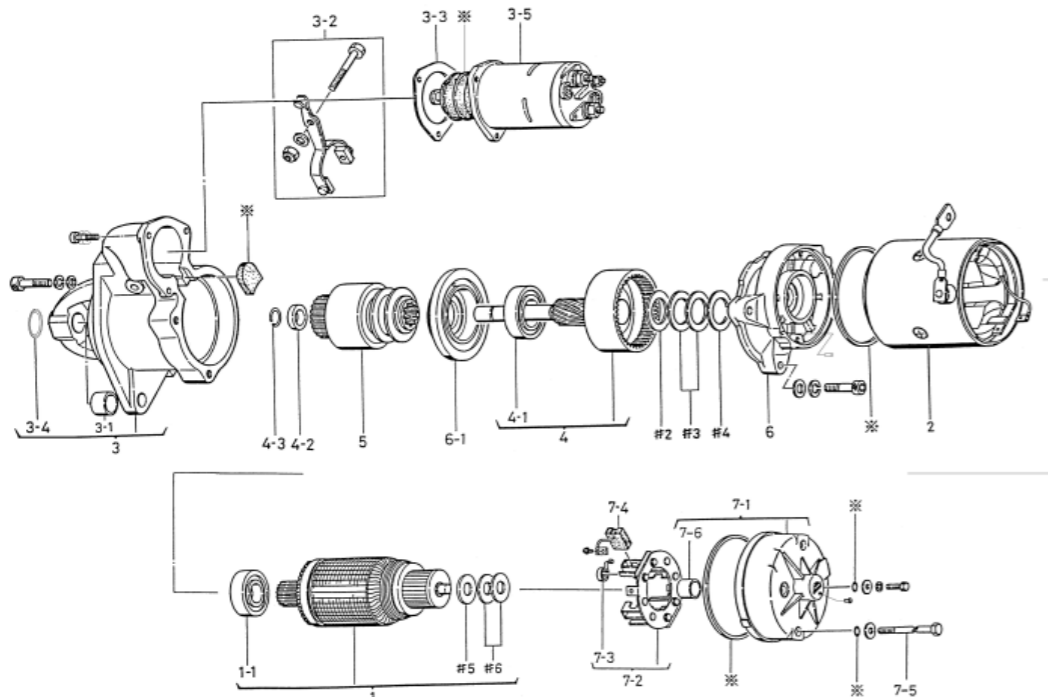
7-09210-2840	SEAL ASSY		
1-23951-0050	PACKING	1	
1-23951-0120	PACKING	1	
1-23951-0130	PACKING	1	
1-0505-00501	O RING	2	
1-0505-00601	O RING	2	
1-09252-0211	GUM CAP	1	
1-09252-0420	GUM CAP	1	
1-09252-0430	GUM CAP	1	
1-23953-0020	GUM BUSH	1	
1-23953-0030	GUM BUSH	1	
1-47953-0081	GUM BUSH	1	

0-23000-6160 STARTING MOTOR

OEM CUSTOMER	ISUZU	OEM PARTS NUMBER	1-81100181-0
NOMINAL OUTPUT	24V 7.4Kw	SUPPLY TERM	80.04~
WEIGHT	14.8kg	SWITCH	
ENGINE MODEL	10PB1		
VEHICLE	POWER GENERATOR		
DESIGN RECORD			
NOTE	DRIP PROOF φ114		

0-23000-6160 STARTING MOTOR (MAKER PART NO 1-81100181-0)

No	Parts Number	Maker Parts No	Description	Qty	List Price	Note
1	7-23100-0040	1-81121033-0	ARMATURE ASSY	1		INCL. 1-1, #5 & #6
1-1	1-0456-62047	1-81129294-0	BALL BEARING	1		FRONT
1月2日	0-23200-0056		YOKE ASSY	1		INCLUDING 2 PCS OF 7-4
3	0-23310-0264		FRONT BRACKET CO	1		INCLUDING 3-1, 3-4
3-1	7-23351-0085		METAL	1		FRONT
3-2	7-23320-0080	1-81127047-0	SHIFT LEVER ASSY	1		
3-3	1-23922-0060	1-81129287-0	PLATE	1		
3-4	1-23761-0010	1-81129305-0	COVER	1		
3-5	0-47100-3070	1-81151037-0	MAG.SWITCH ASSY	1		
4	7-23120-0040	1-81123017-0	SHAFT ASSY	1		INCLUDING 4-1
4-1	1-0456-60067	1-81129200-0	BALL BEARING	1		CENTER
4-2	1-23181-0020	1-81129190-0	PINION STOPPER	1		
4-3	1-23914-0020	1-81129189-0	CLIP RING	1		
5	0-23500-0876	1-81129689-0	O.R.CLUTCH ASSY	1		
6	1-23611-0080	1-81113056-0	CENTER BRACKET	1		
6-1	1-23611-0070	1-81113057-0	CENTER BRACKET	1		
7-1	0-23710-0321		REAR BRACKET CO	1		INCLUDING 7-6
7-2	7-23750-0024		BRUSH HOLDER CO	1		INCL. 7-3, 7-4
7-3	1-23913-0040	1-81117016-0	BRUSH SPRING	4		
7-4	0-23740-0354	8-98155018-0	BRUSH CO	4		
7-5	0-23901-0030	1-81129292-0	BOLT	2		THROUGH BOLT
7-6	7-23351-0064		METAL	1		REAR
#2	1-23921-0130	5-81129160-0	WASHER	1		
#3	1-23921-0140	5-81129159-0	WASHER	2		FOR ADJUSTMENT
#4	1-23941-0040	1-81129295-0	INSULATE WASHER	1		
#5	1-21921-1530	1-81129289-0	WASHER	1		
#6	1-23921-0170	1-81129290-0	WASHER	2		FOR ADJUSTMENT
※	7-09210-0500	1-81129301-0	SEAL ASSY	1		

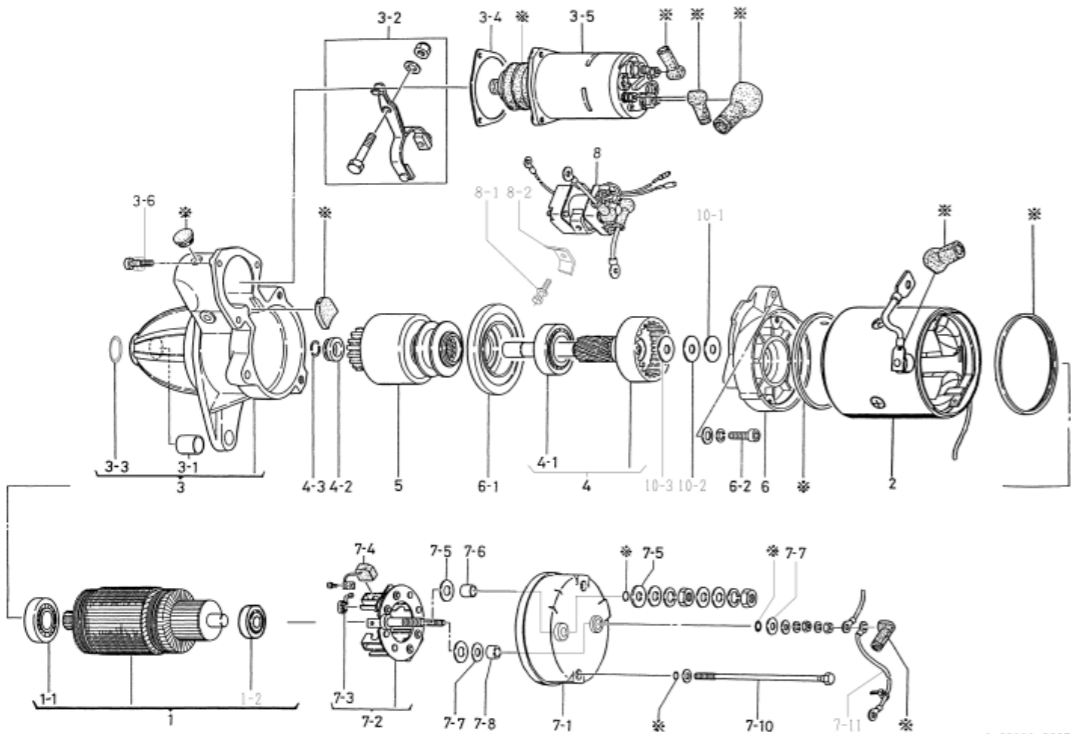


0-23000-6160

7-09210-0500	SEAL ASSY	
1-0345-05001	SEAL WASHER	2
1-0505-00501	O RING	2
1-0505-00601	O RING	2
1-09211-0380	O RING	1
1-23951-0050	PACKING	1
1-23951-0120	PACKING	1
1-23951-0130	PACKING	1
1-47952-0370	GUM CAP	1

0-23000-6227 STARTING MOTOR

OEM CUSTOMER	ISUZU	OEM PARTS NUMBER	1-81100272-2
NOMINAL OUTPUT	24V 7.5Kw	SUPPLY TERM	08.07~
WEIGHT	15.5kg	SWITCH	SAFETY RELAY (INSTALLED ON RIGHT)
ENGINE MODEL	6SD1MTC		
VEHICLE	MARINE		
DESIGN RECORD	6222 → 6224	F.BRACKET CHANGED	
	6224 → 6225	SFR CHANGED	
	6225 → 6226	SFR CHANGED	
	6226 → 6227	REAR BRACKET CHANGED (METAL→BEARING)	
NOTE	DRIP PROOF φ114 2-WIRE MARINE SPECIFICATION		



0-23000-6227

0-23000-6227 STARTING MOTOR (MAKER PART NO 1-81100272-2)

No	Parts Number	Maker Parts No	Description	Qty	List Price	Note
1	7-23100-0420		ARMATURE ASSY	1		INCLUDING 1-1,1-2
1-1	1-0456-62047	1-81129294-0	BALL BEARING	1		FRONT
1-2	1-0456-62007	1-81129196-0	BALL BEARING	1		REAR
2	0-23200-1090	8-98155041-0	YOKE ASSY	1		INCL. 2 PCS OF 7-4
3	0-23310-0844	1-81113103-0	FRONT BRACKET CO	1		INCLUDING 3-1, 3-3
3-1	7-23351-0114	8-98155025-0	METAL	1		FRONT
3-2	7-23320-0080	1-81127047-0	SHIFT LEVER ASSY	1		
3-3	1-23761-0030	1-81129436-0	COVER	1		
3-4	1-23922-0060	1-81129287-0	PLATE	1		
3-5	0-47100-3010	1-81151042-0	MAG.SWITCH ASSY	1		
3-6	0-0274-06202	8-94178026-0	BOLT	3		
4	7-23120-0170	1-81123435-0	SHAFT ASSY	1		INCLUDING 4-1
4-1	1-0456-60067	1-81129200-0	BALL BEARING	1		CENTER
4-2	1-23181-0010	1-81129304-0	PINION STOPPER	1		
4-3	1-23914-0010	1-81129303-0	CLIP RING	2		
5	0-23500-0115	1-81122041-0	O.R.CLUTCH ASSY	1		
6	0-23611-0651	1-81114034-0	CENTER BRACKET	1		
6-1	1-23611-0070	1-81113057-0	CENTER BRACKET	1		
6-2	1-0240-08405	1-84429293-0	BOLT	3		
7-1	0-23710-0368	8-98155036-0	REAR BRACKET CO	1		
7-2	0-23750-0570		BRUSH HOLDER CO	1		INCL. 2 PCS OF 7-3, 2 PCS OF 7-4
7-3	1-23913-0041	1-81117020-0	BRUSH SPRING	4		
7-4	0-23740-0354	8-98155018-0	BRUSH CO	4		
7-5	1-21941-0430	1-81129242-0	INSULATE WASHER	2		
7-6	1-21944-1240		INSULATE TUBE	1		
7-7	1-23941-0010	1-81129245-0	INSULATE WASHER	2		
7-8	1-23944-0050	1-81129552-0	INSULATE TUBE	1		
7-10	0-09001-4460	1-81129537-0	BOLT	2		THROUGH BOLT
7-11	1-23785-0080	1-81116038-0	LEAD WIRE CO	1		
8	0-25000-6172	1-82553054-1	SWITCH	1		
8-1	0-0270-06552		BOLT	1		
8-2	1-47927-0921		HOLDER	1		
10-1	1-23921-0130	5-81129160-0	WASHER	1		
10-2	1-23921-0140	5-81129159-0	WASHER	1		FOR ADJUSTMENT
10-3	1-23941-0040	1-81129295-0	WASHER	1		
※	7-09210-2960	8-98155037-0	SEAL ASSY	1		

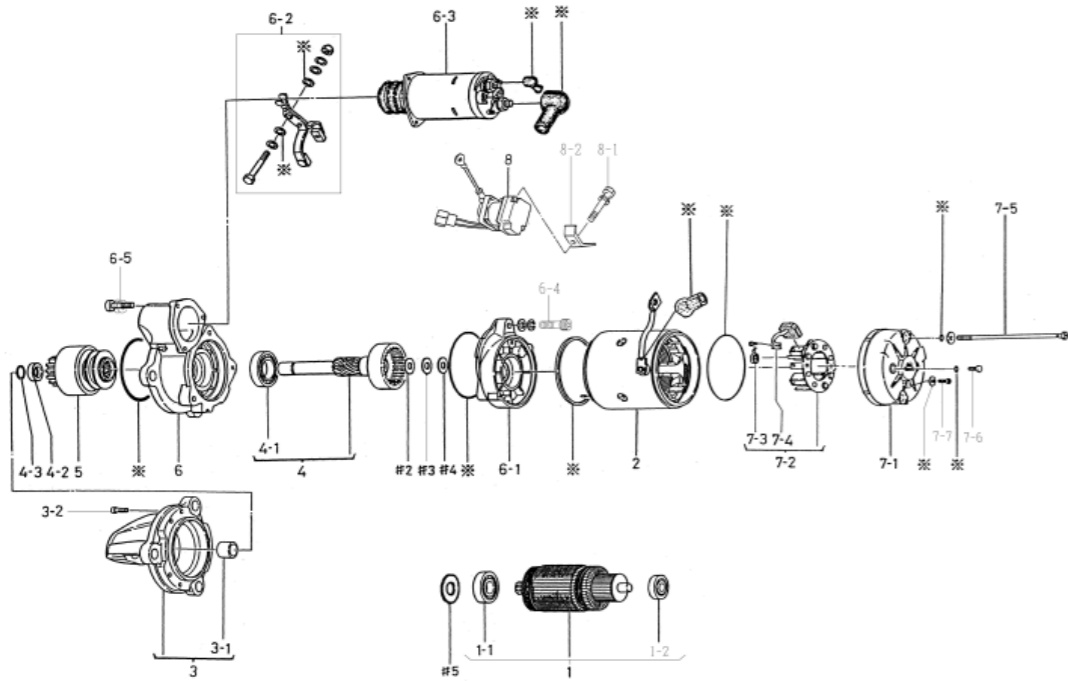
7-09210-2960	SEAL ASSY	
1-0345-05001	SEAL WASHER	3
1-0505-00601	O RING	2
1-0506-01001	O RING	1
1-09211-0380	O RING	1
1-09252-0211	GUM CAP	1
1-09252-0391	GUM CAP	2
1-09252-0420	GUM CAP	1
1-09252-0430	GUM CAP	1
1-21951-1910	PACKING	1
1-23951-0050	PACKING	1
1-23951-0120	PACKING	1
1-47952-0370	GUM CAP	1
1-47953-0081	GUM BUSH	1

0-23000-6642 STARTING MOTOR

OEM CUSTOMER	MITSUBISHI HEAVY INDUSTRY	OEM PARTS NUMBER	37566-30201
NOMINAL OUTPUT	24V 7.5Kw	SUPPLY TERM	03.6~
WEIGHT	18kg	SWITCH	SAFETY RELAY (INSTALLED ON RIGHT)
ENGINE MODEL	S6ATA		
VEHICLE	POWER GENERATOR		
DESIGN RECORD	6640 → 6641	SFR CHANGED	
	6641 → 6642	REAR BRACKET CHANGED (METAL→BEARING)	
NOTE	WATER PROOF φ114		

0-23000-6642 STARTING MOTOR (MAKER PART NO 37566-30201)

No	Parts Number	Maker Parts No	Description	Qty	List Price	Note
1	7-23100-0420		ARMATURE ASSY	1		INCLUDING 1-1, 1-2
1-1	1-0456-62047	40466-01028	BALL BEARING	1		FRONT
1-2	1-0456-62007	40566-01012	BALL BEARING	1		REAR
2	0-23200-0577		YOKE ASSY	1		INCL. 2 PCS OF 7-4
3	0-23310-0784		FRONT BRACKET CO	1		INCLUDING 3-1
3-1	7-23351-0085	32597-00600	METAL	1		FRONT
3-2	1-0240-06305	37566-00123	BOLT	6		
4	7-23120-0090	37566-00221	SHAFT ASSY	1		INCLUDING 4-1
4-1	1-0456-60067	40466-01027	BALL BEARING	1		CENTER
4-2	1-23181-0020	37566-00126	PINION STOPPER	1		
4-3	1-23914-0020	37566-00125	CLIP RING	1		
5	0-23500-0444	37566-20127	O.R CLUTCH ASSY	1		
6	1-23611-0350	37566-00219	CENTER BRACKET	1		
6-1	1-23611-0080	37566-00222	CENTER BRACKET	1		
6-2	7-23320-0120	37566-00211	SHIFT LEVER ASSY	1		
6-3	0-47100-3750	37566-00212	MAG.SWITCH ASSY	1		
6-4	1-0240-08405	37566-00114	BOLT	3		
6-5	0-0274-06202	32G66-07140	BOLT	3		
7-1	0-23711-0425		R.BRACKET ASSY	1		
7-2	7-23750-0150	72375-00150	BRUSH HOLDER CO	1		INCLUDING 7-3, 7-4
7-3	1-23913-0040	12391-30040	BRUSH SPRING	4		
7-4	0-23740-0354	40466-11029	BRUSH CO	4		
7-5	0-09001-4380	37566-00217	BOLT	2		THROUGH BOLT
7-6	0-09011-3140		SCREW	2		
7-7	0-0020-05062	40B66-18140	SCREW	1		
8	0-25000-7223	37566-20113	SWITCH	1		
8-1	0-0270-06552		BOLT	1		
8-2	1-47927-1250		HOLDER	1		
#2	1-23921-0130	40666-10144	WASHER	1		
#3	1-23921-0140	40666-10141	WASHER	1		FOR ADJUSTMENT
#4	1-23941-0040	40666-10145	INSULATE WASHER	1		
#5	0-23921-0230	40666-10135	WASHER	1		FOR ADJUSTMENT
※	7-09210-2920		SEAL ASSY	1		



0-23000-6642

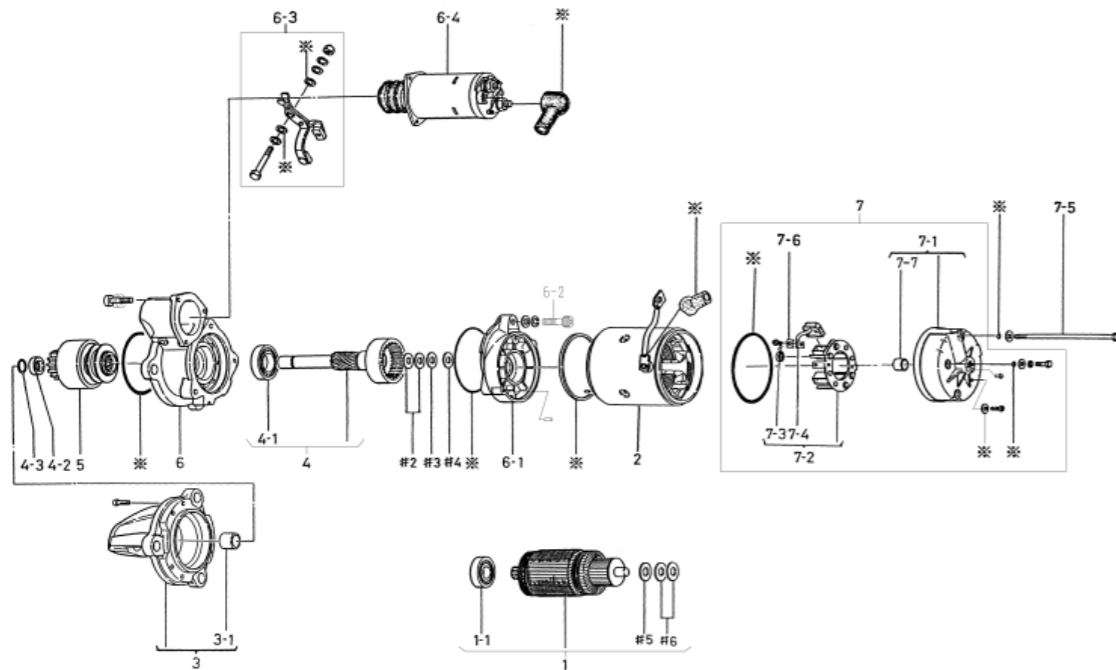
7-09210-2920	SEAL ASSY	
1-0345-05001	SEAL WASHER	1
1-0345-08001	SEAL WASHER	2
1-09211-0080	O RING	4
1-09211-0980	O RING	2
1-09211-1120	O RING	1
1-09252-0211	GUM CAP	1
1-09252-0420	GUM CAP	1
1-09252-0430	GUM CAP	1
1-23951-0050	PACKING	1

0-23000-6850 STARTING MOTOR

OEM CUSTOMER	MITSUBISHI HEAVY INDUSTRY	OEM PARTS NUMBER	04301-58601
NOMINAL OUTPUT	24V 7.5Kw	SUPPLY TERM	86.10~
WEIGHT	18.5kg	SWITCH	
ENGINE MODEL	S12A2		
VEHICLE	POWER GENERATOR		
DESIGN RECORD			
NOTE	WATER PROOF $\phi 114$		

0-23000-6850 STARTING MOTOR (MAKER PART NO 04301-58601)

No	Parts Number	Maker Parts No	Description	Qty	List Price	Note
1	7-23100-0290	37566-00223	ARMATURE ASSY	1		INCL. 1-1, #5 & #6
1-1	1-0456-62047	40466-01028	BALL BEARING	1		FRONT
2	0-23200-1120		YOKE ASSY	1		INCL. 2 PCS OF 7-4, 2 PCS OF 7-6
3	0-23310-0784		FRONT BRACKET CO	1		INCLUDING 3-1
3-1	7-23351-0085	32597-00600	METAL	1		FRONT
4	7-23120-0090	37566-00221	SHAFT ASSY	1		INCLUDING 4-1
4-1	1-0456-60067	40466-01027	BALL BEARING	1		CENTER
4-2	1-23181-0020	37566-00126	PINION STOPPER	1		
4-3	1-23914-0020	37566-00125	CLIP RING	1		
5	0-23500-0214	32666-10311	O.R.CLUTCH ASSY	1		
6	0-23611-1035	37566-10312	CENTER BRACKET	1		
6-1	1-23611-0080	37566-00222	CENTER BRACKET	1		
6-3	7-23320-0120	37566-00211	SHIFT LEVER ASSY	1		
6-4	0-47100-3420	37566-10311	MAG.SWITCH ASSY	1		
7	7-23700-0494	37566-00214	REAR BRACKET ASSY	1		INCL. 7-1 TO 7-4, 7-6 AND 7-7
7-1	0-23700-0040		REAR BRACKET ASSY	1		INCLUDING 7-7
7-2	7-23750-0024	72375-00020	BRUSH HOLDER CO	1		INCLUDING 7-3, 7-4 & 7-6
7-3	1-23913-0040	40666-10132	BRUSH SPRING	4		
7-4	0-23740-0354	40466-11029	BRUSH CO	4		
7-5	0-09001-4380	37566-00217	BOLT	2		THROUGH BOLT
7-6	1-25922-2800	12592-22800	PLATE	4		
7-7	7-23351-0064	72355-10060	BOLT	2		REAR
#2	1-23921-0130	40666-10144	WASHER	1		
#3	1-23921-0140	40666-10141	WASHER	2		FOR ADJUSTMENT
#4	1-23941-0040	40666-10145	INSULATE WASHER	1		
#5	1-21921-1530		WASHER	1		
#6	1-23921-0170		WASHER	2		FOR ADJUSTMENT
※	7-09210-1470	70921-01470	SEAL ASSY	1		



0-23000-6850

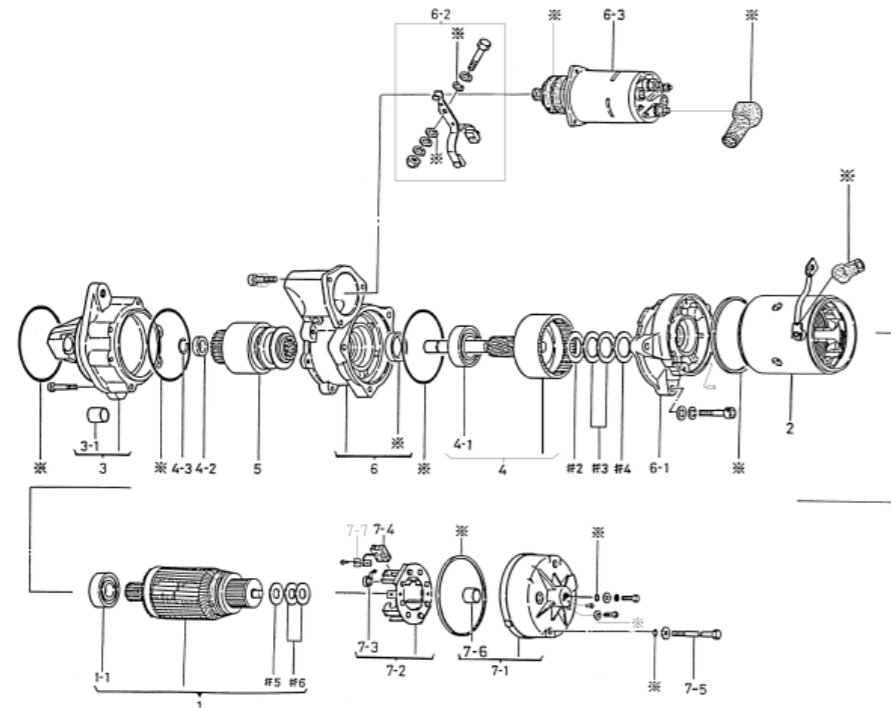
7-09210-1470	SEAL ASSY	
1-0345-05001	SEAL WASHER	1
1-0345-08001	SEAL WASHER	2
1-0505-00501	O RING	2
1-0505-00601	O RING	2
1-09211-0980	O RING	2
1-09211-1120	O RING	1
1-09252-0211	GUM CAP	1
1-09252-0430	GUM CAP	1
1-23951-0050	PACKING	1

0-23000-6880 STARTING MOTOR

OEM CUSTOMER	ISUZU	OEM PARTS NUMBER	1-81100270-0
NOMINAL OUTPUT	24V 7.4Kw	SUPPLY TERM	87.03~
WEIGHT	16 kg	SWITCH	
ENGINE MODEL	8PC1		
VEHICLE	SKW, OTHERS		
DESIGN RECORD			
NOTE	WATER PROOF OIL PROOF ϕ 114		

0-23000-6880 STARTING MOTOR (MAKER PART NO 1-81100270-0)

No	Parts Number	Maker Parts No	Description	Qty	List Price	Note
1	7-23100-0040	1-81121033-0	ARMATURE ASSY	1		INCL. 1-1, #5 & #6
1-1	1-0456-62047	1-81129294-0	BALL BEARING	1		FRONT
2	0-23200-0056		YOKE ASSY	1		INCL. 2 PCS OF 7-4, 2 PCS OF 7-7
3	0-23310-1066		FRONT BRACKET CO	1		INCLUDING 3-1
3-1	7-23351-0085		METAL	1		FRONT
4	7-23120-0250	1-81123037-0	SHAFT ASSY	1		INCLUDING 4-1
4-1	1-0456-60067	1-81129200-0	BALL BEARING	1		CENTER
4-2	1-23181-0020	1-81129190-0	PINION STOPPER	1		
4-3	1-23914-0020	1-81129189-0	CLIP RING	1		
5	0-23500-0877		O.R.CLUTCH ASSY	1		
6	0-23600-0300	1-81113110-0	CENTER BRACKET ASSY	1		INCLUDING OIL SEAL
6-1	1-23611-0080	1-81113056-0	CENTER BRACKET	1		
6-2	7-23320-0120		SHIFT LEVER CO	1		
6-3	0-47100-3750	1-81151073-0	MAG.SWITCH ASSY	1		
7-1	0-23710-0325		R.BRACKET CO	1		INCLUDING 7-6
7-2	7-23750-0024		BRUSH HOLDER CO	1		INCLUDING 7-3, 7-4, 7-7
7-3	1-23913-0040	1-81117016-0	BRUSH SPRING	4		
7-4	0-23740-0354	8-98155018-0	BRUSH CO	4		
7-5	0-23901-0030	1-81129292-0	BOLT	2		THROUGH BOLT
7-6	7-23351-0064		METAL	1		REAR
7-7	1-25922-2800		PLATE	4		
#2	1-23921-0130	5-81129160-0	WASHER	1		
#3	1-23921-0140	5-81129159-0	WASHER	2		FOR ADJUSTMENT
#4	1-23941-0040	1-81129295-0	INSULATE WASHER	1		
#5	1-21921-1530	1-81129289-0	WASHER	1		
#6	1-23921-0170	1-81129290-0	WASHER	2		FOR ADJUSTMENT
※	7-09210-1130	1-81129517-0	SEAL ASSY	1		



0-23000-6880

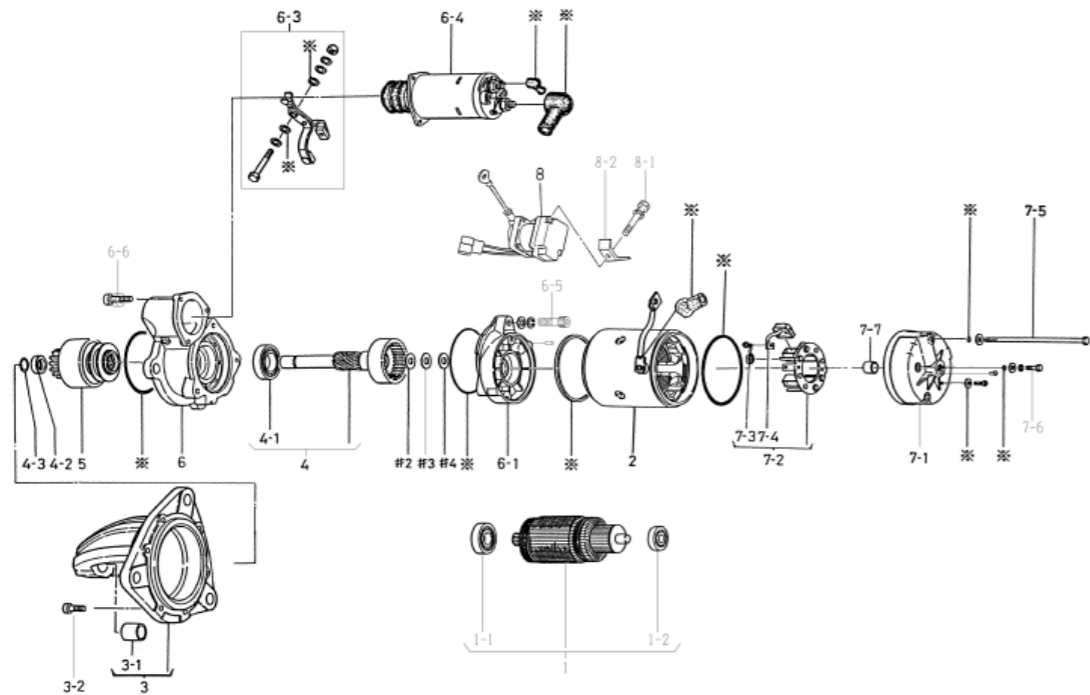
7-09210-1130	SEAL ASSY	
1-0345-05001	SEAL WASHER	2
1-0345-08001	SEAL WASHER	2
1-0505-00501	O RING	2
1-0505-00601	O RING	2
1-0507-10001	O RING	1
1-09210-0990	OIL SEAL	1
1-09211-0380	O RING	1
1-09211-0980	O RING	2
1-09252-0211	GUM CAP	1
1-09252-0430	GUM CAP	1
1-23951-0050	PACKING	1
1-23951-0130	PACKING	1
1-47952-0370	GUM CAP	1

0-23000-6902 STARTING MOTOR

OEM CUSTOMER	MITSUBISHI HEAVY INDUSTRY	OEM PARTS NUMBER	37566-40301
NOMINAL OUTPUT	24V 7.5Kw	SUPPLY TERM	03.7~
WEIGHT	18.5kg	SWITCH	SAFETY RELAY (INSTALLED ON RIGHT)
ENGINE MODEL	S6R		
VEHICLE	POWER GENERATOR		
DESIGN RECORD	6900 → 6901 SFR CHANGED 6901 → 6902 REAR BRACKET CHANGED (METAL→BEARING)		
NOTE	WATER PROOF φ114		

0-23000-6902 STARTING MOTOR (MAKER PART NO 37566-40301)

No	Parts Number	Maker Parts No	Description	Qty	List Price	Note
1	7-23100-0420		ARMATURE ASSY	1		INCLUDING 1-1, 1-2
1-1	1-0456-62047	40466-01028	BALL BEARING	1		FRONT
1-2	1-0456-62007	40566-01012	BALL BEARING	1		REAR
2	0-23200-0577		YOKE ASSY	1		INCL. 2 PCS OF 7-4
3	0-23310-0784	37566-00218	FRONT BRACKET CO	1		INCLUDING 3-1
3-1	7-23351-0085	40466-11025	METAL	1		FRONT
3-2	1-0240-06305	37566-00123	BOLT	6		
4	7-23120-0090	37566-00221	SHAFT ASSY	1		INCLUDING 4-1
4-1	1-0456-60067	40466-01027	BALL BEARING	1		CENTER
4-2	1-23181-0020	37566-00126	PINION STOPPER	1		
4-3	1-23914-0020	37566-00126	CLIP RING	1		
5	0-23500-0444	37566-20127	O.R CLUTCH ASSY	1		
6	1-23611-0350	37566-10312	CENTER BRACKET	1		
6-1	1-23611-0080	37566-00222	CENTER BRACKET	1		
6-3	7-23320-0120	37566-00211	SHIFT LEVER ASSY	1		
6-4	0-47100-3420	37566-10311	MAG.SWITCH ASSY	1		
6-5	1-0240-08405	37566-00114	BOLT	3		
6-6	0-0274-06202	32G66-07140	BOLT	3		
7-1	0-23711-0425		R.BRACKET ASSY	1		
7-2	7-23750-0150	72375-00150	BRUSH HOLDER CO	1		INCLUDING 7-3, 7-4
7-3	1-23913-0040	40666-10132	BRUSH SPRING	4		
7-4	0-23740-0354	40466-11029	BRUSH CO	4		
7-5	0-09001-4380	37566-00217	BOLT	2		THROUGH BOLT
7-6	0-09011-3140		SCREW	2		
8	0-25000-7223	37566-20113	SWITCH	1		
8-1	0-0270-06602		BOLT	1		
8-2	1-47927-0940		HOLDER	1		
#2	1-23921-0130	40666-10144	WASHER	1		
#3	1-23921-0140	40666-10141	WASHER	1		FOR ADJUSTMENT
#4	1-23941-0040	40666-10145	INSULATE WASHER	1		
※	7-09210-2920		SEAL ASSY	1		



0-23000-6902

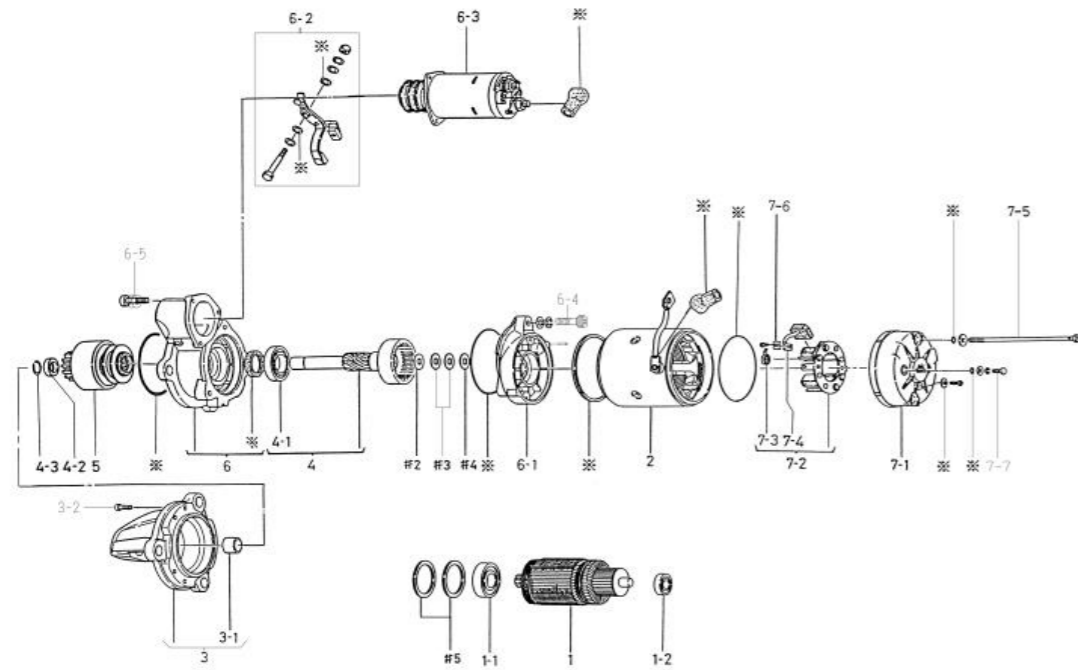
7-09210-2920	SEAL ASSY	
1-0345-05001	SEAL WASHER	1
1-0345-08001	SEAL WASHER	2
1-09211-0080	O RING	4
1-09211-0980	O RING	2
1-09211-1120	O RING	1
1-09252-0211	GUM CAP	1
1-09252-0420	GUM CAP	1
1-09252-0430	GUM CAP	1
1-23951-0050	PACKING	1

0-23000-6961 STARTING MOTOR

OEM CUSTOMER	KOMATSU	OEM PARTS NUMBER	600-813-4690
NOMINAL OUTPUT	24V 7.5Kw	SUPPLY TERM	02.09~
WEIGHT	18kg	SWITCH	
ENGINE MODEL	SA6D125		
VEHICLE	SWH, OTHERS		
DESIGN RECORD	6960 → 6961	ANTIFREEZING OF CONTACT	
NOTE	WATER PROOF OIL PROOF φ114		

0-23000-6961 STARTING MOTOR (MAKER PART NO 600-813-4690)

No	Parts Number	Maker Parts No	Description	Qty	List Price	Note
1	0-23100-0231		ARMATURE CO	1		
1-1	1-0454-62047		BALL BEARING	1		FRONT
1-2	1-0454-62007		BALL BEARING	1		REAR
2	0-23200-1120		YOKE ASSY	1		INCL. 2 PCS OF 7-4, 2 PCS OF 7-6
3	0-23310-0405		FRONT BRACKET CO	1		INCLUDING 3-1
3-1	7-23351-0085		METAL	1		FRONT
3-2	1-0240-06305		BOLT	6		
4	7-23120-0090		SHAFT ASSY	1		INCLUDING 4-1
4-1	1-0454-60067		BALL BEARING	1		CENTER
4-2	1-23181-0020		PINION STOPPER	1		
4-3	1-23914-0020		CLIP RING	1		
5	0-23500-0174		O.R.CLUTCH ASSY	1		
6	0-23600-0101		CENTER BRACKET ASSY	1		INCLUDING OIL SEAL
6-1	1-23611-0080		CENTER BRACKET	1		
6-2	7-23320-0120		SHIFT LEVER ASSY	1		
6-3	0-47100-4880		MAG.SWITCH ASSY	1		
6-4	1-0240-08405		BOLT	3		
6-5	0-0274-06402		BOLT	3		
7-1	0-23711-0221		REAR BRACKET	1		
7-2	7-23750-0024		BRUSH HOLDER CO	1		INCLUDING 7-3, 7-4, 7-6
7-3	1-23913-0040		BRUSH SPRING	4		
7-4	0-23740-0354		BRUSH CO	4		
7-5	0-09001-4380		BOLT	2		THROUGH BOLT
7-6	1-25922-2800		PLATE	4		
7-7	0-09001-4181		BOLT	2		
#2	1-23921-0130		WASHER	1		
#3	1-23921-0140		WASHER	2		FOR ADJUSTMENT
#4	1-23941-0040		INSULATE WASHER	1		
#5	0-23921-0230		WASHER	2		
※	7-09210-3140		SEAL ASSY	1		

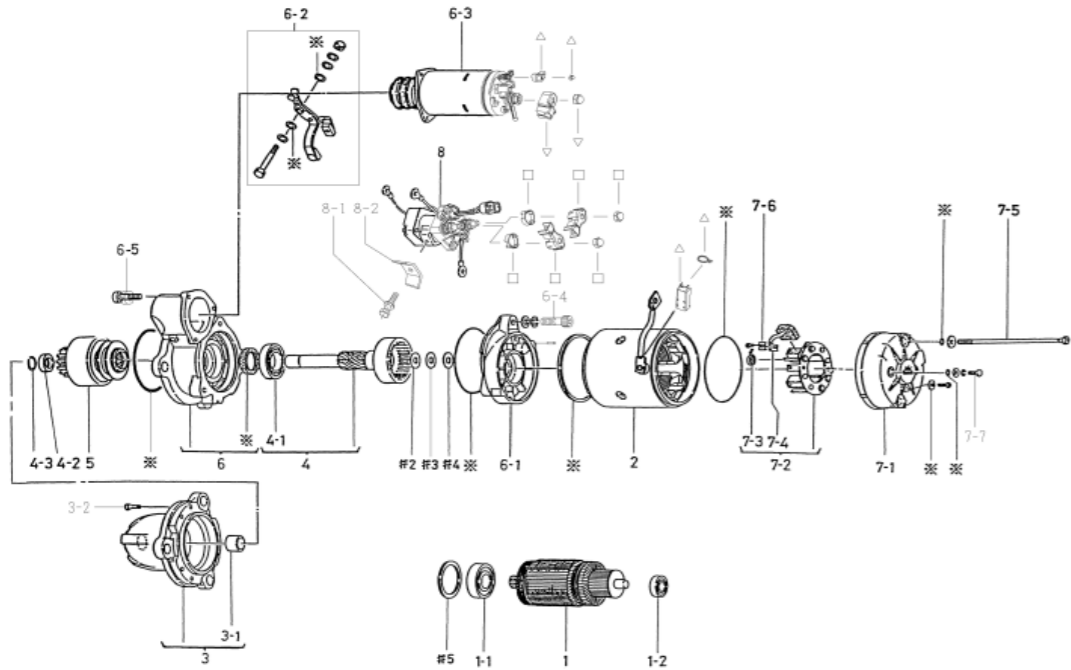


0-23000-6961

7-09210-3140	SEAL ASSY	
1-0345-05001	SEAL WASHER	1
1-0345-08001	SEAL WASHER	2
1-0505-00501	O RING	2
1-0505-00601	O RING	2
1-09210-1040	OIL SEAL	1
1-47952-0370	GUM CAP	1
1-09211-0980	O RING	2
1-09211-1120	OIL SEAL	1
1-09252-0211	GUM CAP	1
1-09252-0430	GUM CAP	1
1-23951-0050	PACKING	1

0-23000-7023 STARTING MOTOR

OEM CUSTOMER	KOMATSU	OEM PARTS NUMBER	600-813-4672
NOMINAL OUT PUT	24V 7.5Kw	SUPPLY TERM	02.06~
WEIGHT	18kg	SWITCH	SAFETY RELAY (INSTALLED ON RIGHT)
ENGINE MODEL	S6D125, OTHERS		
VEHICLE	PC400-5, OTHERS		
DESIGN RECORD	7020 → 7021	SFR CHANGED	
	7021 → 7022	SFR CHANGED	
	7022 → 7023	JUMP START PROTECTION, SFR AND MAG.SWITCH CHANGED	
NOTE	WATER PROOF, OIL PROOF φ114		



0-23000-7023

0-23000-7023 STARTING MOTOR (MAKER PART NO 600-813-4672)

No	Parts Number	Maker Parts No	Description	Qty	List Price	Note
1	0-23100-0231		ARMATURE CO	1		
1-1	1-0456-62047		BALL BEARING	1		FRONT
1-2	1-0456-62007		BALL BEARING	1		REAR
2	0-23200-1120		YOKE ASSY	1		INCL. 2 UNITS 7-4 AND 7-6
3	0-23310-0405		FRONT BRACKET CO	1		INCLUDING 3-1
3-1	7-23351-0085		METAL	1		FRONT
3-2	1-0240-06305		BOLT	6		
4	7-23120-0090		SHAFT ASSY	1		INCLUDING 4-1
4-1	1-0456-60067		BALL BEARING	1		CENTER
4-2	1-23181-0020		PINION STOPPER	1		
4-3	1-23914-0020		CLIP RING	1		
5	0-23500-0174		O.R.CLUTCH ASSY	1		
6	0-23600-0101		CENTER BRACKET ASSY	1		INCLUDING OIL SEAL
6-1	1-23611-0080		CENTER BRACKET	1		
6-2	7-23320-0120		SHIFT LEVER ASSY	1		
6-3	7-47100-0250		MAG.SWITCH ASSY	1		
6-4	1-0240-08405		BOLT	3		
6-5	0-0274-06202		BOLT	3		
7-1	0-23711-0221		REAR BRACKET	1		
7-2	7-23750-0024		BRUSH HOLDER CO	1		INCL. 7-3, 7-4 & 7-6
7-3	1-23913-0040		BRUSH SPRING	4		
7-4	1-23740-0354		BRUSH CO	4		
7-5	0-09001-4380		BOLT	2		THROUGH BOLT
7-6	1-25922-2800		PLATE	4		
7-7	0-09001-4181		BOLT	2		
8	0-25000-8342		SWITCH	1		
8-1	0-0270-06602		BOLT	1		
8-2	1-47927-0940		HOLDER	1		
#2	1-23921-0130		WASHER	1		
#3	1-23921-0140		WASHER	1		FOR ADJUSTMENT
#4	1-23941-0040		INSULATE WASHER	1		
#5	0-23921-0230		WASHER	1		FOR ADJUSTMENT
※	7-09210-2880		SEAL ASSY	1		
△	7-47761-0010		MAG.SWITCH COVER ASSY	1		
□	7-47761-0030		SWITCH COVER ASSY	1		

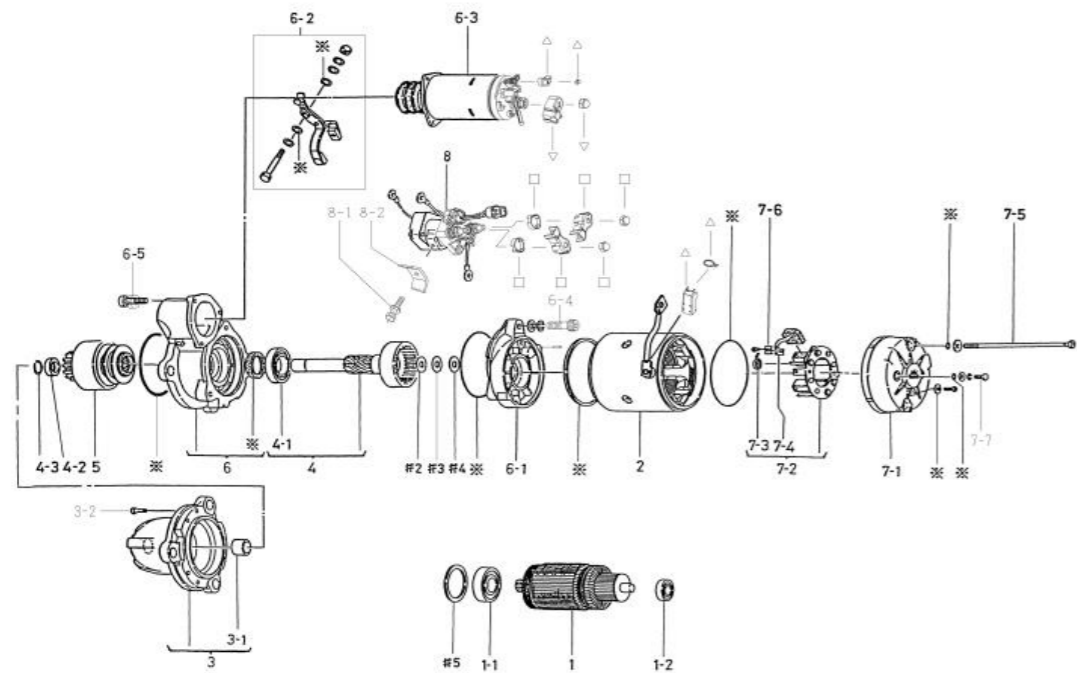
※	7-09210-2880	SEAL ASSY	
	1-0345-05001	SEAL WASHER	1
	1-0345-08001	SEAL WASHER	2
	1-23951-0050	PACKING	1
	1-09210-1040	OIL SEAL	1
	1-0505-00501	O RING	2
	1-0505-00601	O RING	2
	1-09211-0980	O RING	2
	1-09211-1120	O RING	1

0-23000-7025 STARTING MOTOR

OEM CUSTOMER	KOMATSU	OEM PARTS NUMBER	600-813-4673
NOMINAL OUT PUT	24V 7.5Kw	SUPPLY TERM	15.05~
WEIGHT	18kg	SWITCH	SAFETY RELAY (INSTALLED ON RIGHT)
ENGINE MODEL	S6D125, OTHERS		
VEHICLE	PC400-5, OTHERS		
DESIGN RECORD	7020 → 7021 SFR CHANGED 7021 → 7022 SFR CHANGED 7022 → 7023 JUMP START PROTECTION, SFR AND MAG.SWITCH CHANGED 7023 → 7025 CAUTION PLATE CHANGED		
NOTE	WATER PROOF, OIL PROOF φ 114		

0-23000-7025 STARTING MOTOR (MAKER PART NO 600-813-4673)

No	Parts Number	Maker Parts No	Description	Qty	List Price	Note
1	0-23100-0231		ARMATURE CO	1		
1-1	1-0456-62047		BALL BEARING	1		FRONT
1-2	1-0456-62007		BALL BEARING	1		REAR
2	0-23200-1120		YOKE ASSY	1		INCL. 2 UNITS OF 7-4, 2 PCS OF 7-6
3	0-23310-0405		FRONT BRACKET CO	1		INCLUDING 3-1
3-1	7-23351-0085		METAL	1		FRONT
3-2	1-0240-06305		BOLT	6		
4	7-23120-0090		SHAFT ASSY	1		INCLUDING 4-1
4-1	1-0456-60067		BALL BEARING	1		CENTER
4-2	1-23181-0020		PINION STOPPER	1		
4-3	1-23914-0020		CLIP RING	1		
5	0-23500-0174		O.R.CLUTCH ASSY	1		
6	0-23600-0101		CENTER BRACKET ASSY	1		INCLUDING OIL SEAL
6-1	1-23611-0080		CENTER BRACKET	1		
6-2	7-23320-0120		SHIFT LEVER ASSY	1		
6-3	7-47100-0254		MAG.SWITCH ASSY	1		
6-4	1-0240-08405		BOLT	3		
6-5	0-0274-06202		BOLT	3		
7-1	0-23711-0221		REAR BRACKET	1		
7-2	7-23750-0024		BRUSH HOLDER CO	1		INCL. 7-3, 7-4 & 7-6
7-3	1-23913-0040		BRUSH SPRING	4		
7-4	1-23740-0354		BRUSH CO	4		
7-5	0-09001-4380		BOLT	2		THROUGH BOLT
7-6	1-25922-2800		PLATE	4		
7-7	0-09001-4181		BOLT	2		
8	0-25000-8342		SWITCH	1		
8-1	0-0270-06602		BOLT	1		
8-2	1-47927-0940		HOLDER	1		
#2	1-23921-0130		WASHER	1		
#3	1-23921-0140		WASHER	1		FOR ADJUSTMENT
#4	1-23941-0040		INSULATE WASHER	1		
#5	0-23921-0230		WASHER	1		FOR ADJUSTMENT
※	7-09210-2880		SEAL ASSY	1		
△	7-47761-0010		MAG.SWITCH COVER ASSY	1		
□	7-47761-0030		SWITCH COVER ASSY	1		



0-23000-7025

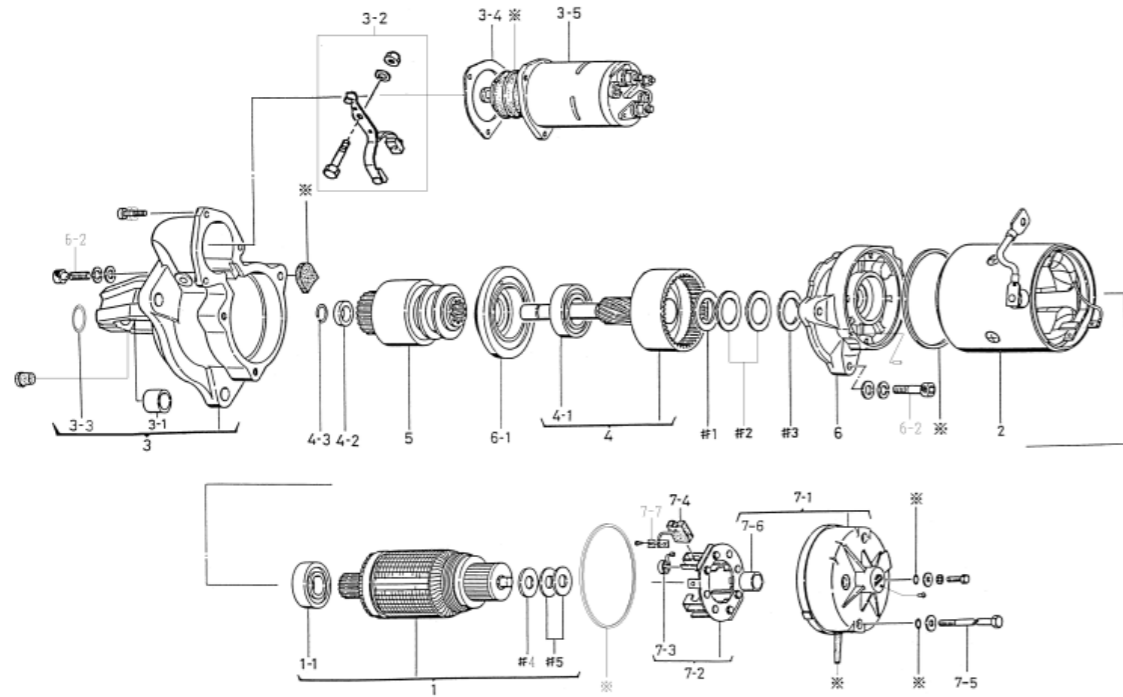
※	7-09210-2880	SEAL ASSY	
	1-0345-05001	SEAL WASHER	1
	1-0345-08001	SEAL WASHER	2
	1-23951-0050	PACKING	1
	1-09210-1040	OIL SEAL	1
	1-0505-00501	O RING	2
	1-0505-00601	O RING	2
	1-09211-0980	O RING	2
	1-09211-1120	O RING	1

0-23000-7041 STARTING MOTOR

OEM CUSTOMER	ISUZU	OEM PARTS NUMBER	1-81100-274-1
NOMINAL OUT PUT	24V 7.4Kw	SUPPLY TERM	89.03~
WEIGHT	15.8kg	SWITCH	N/A
ENGINE MODEL	6RB1		
VEHICLE	CX18, CXZ		
DESIGN RECORD	7040 → 7041	F.BRACKET CHANGED	
NOTE	DRIP PROOF φ114		

0-23000-7041 STARTING MOTOR (MAKER PART NO 1-81100-274-1)

No	Parts Number	Maker Parts No	Description	Qty	List Price	Note
1	7-23100-0040	1-81121033-0	ARMATURE ASSY	1		INCLUDING 1-1, #4, #5
1-1	1-0456-62047	1-81129294-0	BALL BEARING	1		FRONT
2	0-23200-0475		YOKE ASSY	1		INCL. 2 UNITS OF 7-4, 2 PCS OF 7-7
3	0-23310-1144		FRONT BRACKET CO	1		INCLUDING 3-1, 3-3
3-1	7-23351-0085		METAL	1		FRONT
3-2	7-23320-0080	1-81127047-0	SHIFT LEVER ASSY	1		
3-3	1-23761-0010	1-81129305-0	COVER	1		
3-4	0-23922-0200	1-81129598-0	PLATE	1		
3-5	0-47100-4141	1-81151090-0	MAG.SWITCH ASSY	1		
4	7-23120-0040	1-81123017-0	SHAFT ASSY	1		INCLUDING 4-1
4-1	1-0456-60067	1-81129200-0	BALL BEARING	1		CENTER
4-2	1-23181-0020	1-81129190-0	PINION STOPPER	1		
4-3	1-23914-0020	1-81129189-0	CLIP RING	1		
5	0-23500-0605		O.R.CLUTCH ASSY	1		
6	1-23611-0082	1-81113083-0	CENTER BRACKET	1		
6-1	1-23611-0071	1-81113084-0	CENTER BRACKET	1		
6-2	1-0240-08405	1-81129293-0	CENTER BRACKET	3		
7-1	0-23710-0324		REAR BRACKET CO	1		INCLUDING 7-6
7-2	7-23750-0024		BRUSH HOLDER CO	1		INCLUDING 7-3, 7-4, 7-7
7-3	1-23913-0040	1-81117016-0	BRUSH SPRING	4		
7-4	0-23740-0354	8-98155018-0	BRUSH CO	4		
7-5	0-23901-0030	1-81129292-0	BOLT	2		THROUGH BOLT
7-6	7-23351-0064		METAL	1		REAR
7-7	1-25922-2800		PLATE	4		
#1	1-23921-0130	5-81129160-0	WASHER	1		
#2	1-23921-0140	5-81129159-0	WASHER	2		FOR ADJUSTMENT
#3	1-23941-0040	1-81129295-0	INSULATE WASHER	1		
#4	1-21921-1530	1-81129289-0	WASHER	1		
#5	1-23921-0170	1-81129290-0	WASHER	2		FOR ADJUSTMENT
※	7-09210-2020	1-81129601-0	SEAL ASSY	1		



0-23000-7041

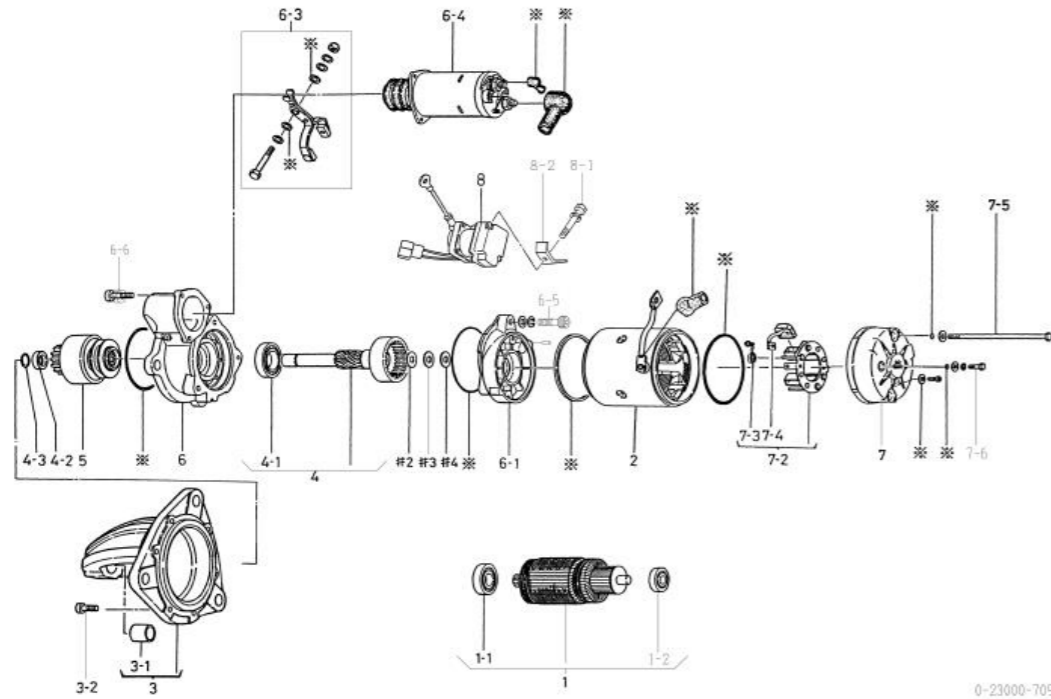
※	7-09210-2020	SEAL ASSY	
	1-0345-05001	SEAL WASHER	2
	1-0505-00501	O RING	2
	1-0505-00601	O RING	2
	1-09211-0571	O RING	1
	1-23951-0050	PACKING	1
	1-23951-0120	PACKING	1
	1-23951-0130	PACKING	1
	0-23952-0012	GUM CAP	1
	1-47952-0370	GUM CAP	1

0-23000-7092 STARTING MOTOR

OEM CUSTOMER	MITSUBISHI HEAVY INDUSTRY	OEM PART NUMBER	32666-10301
NOMINAL OUT PUT	24V 7.5Kw	SUPPLY TERM	03.07~
WEIGHT	18.5kg	SWITCH	SAFETY RELAY (INSTALLED ON LEFT)
ENGINE MODEL	S12A		
VEHICLE	INDUSTRY		
DESIGN RECORD	7090 → 7091 SFR CHANGED 7091 → 7092 REAR BRACKET CHANGED (METAL→BEARING)		
NOTE	WATER PROOF φ114		

0-23000-7092 STARTING MOTOR (MAKER PART NO 32666-10301)

No	Parts Number	Maker Parts No	Description	Qty	List Price	Note
1	7-23100-0420		ARMATURE ASSY	1		INCLUDING 1-1, 1-2
1-1	1-0456-62047	40666-01028	BALL BEARING	1		FRONT
1-2	1-0456-62007	40566-01012	BALL BEARING	1		REAR
2	0-23200-0577		YOKE ASSY	1		INCL. 2 UNITS OF 7-4
3	0-23310-0784		FRONT BRACKET CO	1		INCLUDING 3-1
3-1	7-23351-0085	40466-01025	METAL	1		FRONT
3-2	1-0240-06305	37566-00123	BOLT	6		
4	7-23120-0090	37566-00221	SHAFT ASSY	1		INCLUDING 4-1
4-1	1-0456-60067	40466-01027	BALL BEARING	1		CENTER
4-2	1-23181-0020	37566-00126	PINION STOPPER	1		
4-3	1-23914-0020	37566-00125	CLIP RING	1		
5	0-23500-0214	40466-11013	O.R.CLUTCH ASSY	1		
6	0-23611-1035	37566-10312	CENTER BRACKET	1		
6-1	1-23611-0080	37566-00222	CENTER BRACKET	1		
6-3	7-23320-0120	37566-00211	SHIFT LEVER ASSY	1		
6-4	0-47100-3420	37566-10311	MAG.SWITCH ASSY	1		
6-5	1-0240-08405	37566-00114	BOLT	3		
6-6	0-0274-06202	32G66-07140	BOLT	3		
7	0-23711-0425		REAR BRACKET	1		
7-2	7-23750-0150	72375-00150	BRUSH HOLDER CO	1		INCLUDING 7-3,7-4
7-3	1-23913-0040	40666-10132	BRUSH SPRING	4		
7-4	0-23740-0354	40466-11029	BRUSH CO	4		
7-5	0-09001-4380	37566-00217	BOLT	2		THROUGH BOLT
7-6	0-09011-3140		SCREW	2		
8	0-25000-7224	32666-00311	SWITCH	1		
8-1	0-0270-06602		BOLT	1		
8-2	1-47927-0940		HOLDER	1		
#2	1-23921-0130	40666-10144	WASHER	1		
#3	1-23921-0140	40666-10141	WASHER	1		FOR ADJUSTMENT
#4	1-23941-0040	40666-10145	INSULATE WASHER	1		
※	7-09210-2920		SEAL ASSY	1		



0-23000-7092

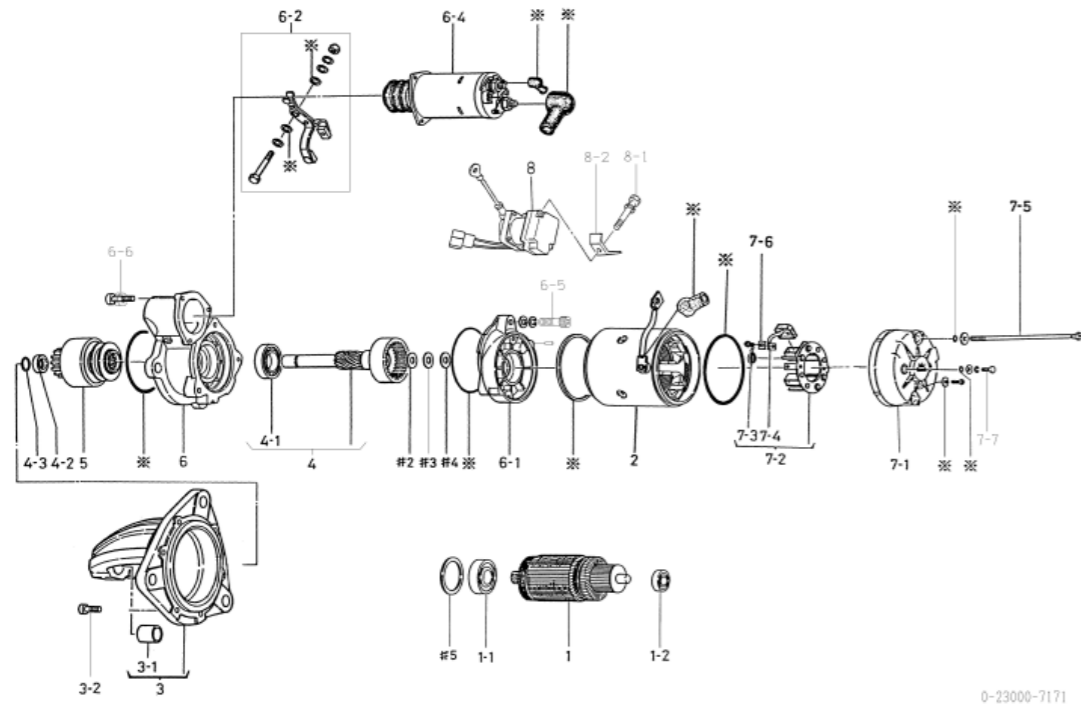
※	7-09210-2920	SEAL ASSY	
	1-0345-05001	SEAL WASHER	1
	1-0345-08001	SEAL WASHER	2
	1-09211-0080	O RING	4
	1-09211-0980	O RING	2
	1-09211-1120	O RING	1
	1-09252-0211	GUM CAP	1
	1-09252-0420	GUM CAP	1
	1-09252-0430	GUM CAP	1
	1-23951-0050	PACKING	1

0-23000-7171 STARTING MOTOR

OEM CUSTOMER	MITSUBISHI HEAVY INDUSTRY	OEM PART NUMBER	37766-20201
NOMINAL OUTPUT	24V 7.5Kw	SUPPLY TERM	97.06~
WEIGHT	19kg	SWITCH	SAFETY RELAY (INSTALLED ON LEFT)
ENGINE MODEL	S12R, S16R		
VEHICLE	EMERGENCY POWER GENERATOR		
DESIGN RECORD	7170→7171	SFR CHANGED	
NOTE	WATER PROOF φ114		

0-23000-7171 STARTING MOTOR (MAKER PART NO 37766-20201)

No	Parts Number	Maker Parts No	Description	Qty	List Price	Note
1	0-23100-0231	02310-00231	ARMATURE CO	1		
1-1	1-0456-62047	40466-01028	BALL BEARING	1		FRONT
1-2	1-0456-62007	40566-01012	BALL BEARING	1		REAR
2	0-23200-1120		YOKE ASSY	1		INCL. 2 UNITS OF 7-4, 2 PCS OF 7-6
3	0-23310-1344	02331-01344	FRONT BRACKET CO	1		INCLUDING 3-1
3-1	7-23351-0085	40466-11025	METAL	1		FRONT
3-2	1-0240-06305	37566-00123	BOLT	6		
4	7-23120-0090	37566-00221	SHAFT ASSY	1		INCLUDING 4-1
4-1	1-0456-60067	40466-01027	BALL BEARING	1		CENTER
4-2	1-23181-0020	37566-00126	PINION STOPPER	1		
4-3	1-23914-0020	37566-00125	CLIP RING	1		
5	0-23500-0694	02350-00694	O.R.CLUTCH ASSY	1		
6	0-23611-1035	37566-10312	CENTER BRACKET	1		
6-1	1-23611-0080	37566-00222	CENTER BRACKET	1		
6-2	7-23320-0120	37566-00211	SHIFT LEVER ASSY	1		
6-4	0-47100-3420	37566-10311	MAG.SWITCH ASSY	1		
6-5	1-0240-08405	37566-00114	BOLT	3		
6-6	0-0274-06202	32G66-07140	BOLT	3		
7-1	0-23711-0221	02371-10221	REAR BRACKET	1		
7-2	7-23750-0024	72375-00020	BRUSH HOLDER CO	1		INCL. 7-3, 7-4, 7-6
7-3	1-23913-0040	40466-01029	BRUSH SPRING	4		
7-4	0-23740-0354	40466-11029	BRUSH CO	4		
7-5	0-09001-4380	37566-00217	BOLT	2		THROUGH BOLT
7-6	1-25922-2800	12592-22800	PLATE	4		
7-7	0-09001-4181		BOLT	2		
8	0-25000-7223	37566-20113	SWITCH	1		
8-1	0-0270-06602		BOLT	1		
8-2	1-47927-0940		HOLDER	1		
#2	1-23921-0130	40666-10144	WASHER	1		
#3	1-23921-0140	40666-10141	WASHER	1		FOR ADJUSTMENT
#4	1-23941-0040	40666-10145	INSULATE WASHER	1		
#5	0-23921-0230	40666-10135	WASHER	1		FOR ADJUSTMENT
※	7-09210-1460	37566-00216	SEAL ASSY	1		



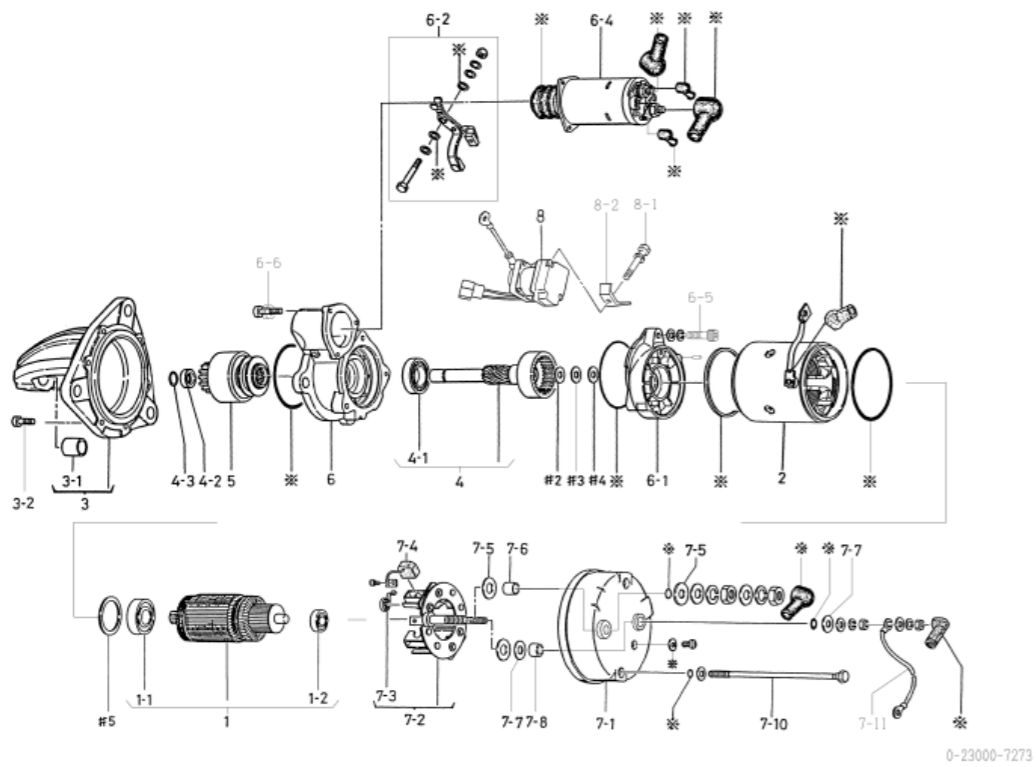
※	7-09210-1460	SEAL ASSY	
	1-0345-05001	SEAL WASHER	1
	1-0345-08001	SEAL WASHER	2
	1-0505-00501	O RING	2
	1-0505-00601	O RING	2
	1-09211-0980	O RING	2
	1-09211-1120	O RING	1
	1-09252-0211	GUM CAP	1
	1-09252-0420	GUM CAP	1
	1-09252-0430	GUM CAP	1
	1-23951-0050	PACKING	1

0-23000-7273 STARTING MOTOR

OEM CUSTOMER	MITSUBISHI HEAVY INDUSTRY	OEM PART NUMBER	37566-45201
NOMINAL OUTPUT	24V 7.5Kw	SUPPLY TERM	03.06~
WEIGHT	18.5kg	SWITCH	SAFETY RELAY (INSTALLED ON LEFT)
ENGINE MODEL	S6R, S6R2		
VEHICLE			
DESIGN RECORD	7272→7273 REAR BRACKET CHANGED (METAL→BEARING)		
NOTE	WATER PROOF φ114		

0-23000-7273 STARTING MOTOR (MAKER PART NO 37566-45201)

No	Parts Number	Maker Parts No	Description	Qty	List Price	Note
1	7-23100-0420		ARMATURE ASSY	1		INCLUDING 1-1, 1-2
1-1	1-0456-62047	40466-01028	BALL BEARING	1		FRONT
1-2	1-0456-62007	40566-01012	BALL BEARING	1		REAR
2	0-23200-0834		YOKE ASSY	1		INCL. 2 UNITS OF 7-4
3	0-23310-0785		FRONT BRACKET CO	1		INCLUDING 3-1
3-1	7-23351-0266	32597-01601	METAL	1		FRONT
3-2	1-0240-06305	37566-00123	BOLT	6		
4	7-23120-0090	37566-00221	SHAFT ASSY	1		INCLUDING 4-1
4-1	1-0456-60067	40466-01027	BALL BEARING	1		CENTER
4-2	1-23181-0020	37566-00126	PINION STOPPER	1		
4-3	1-23914-0020	37566-00125	CLIP RING	1		
5	0-23500-0444	37566-00127	O.R.CLUTCH ASSY	1		
6	0-23611-1035	37566-10312	CENTER BRACKET	1		
6-1	1-23611-0080	37566-00222	CENTER BRACKET	1		
6-2	7-23320-0120	37566-00211	SHIFT LEVER ASSY	1		
6-4	0-47100-4001	04710-04001	MAG.SWITCH ASSY	1		
6-5	1-0240-08405	37566-00114	BOLT	3		
6-6	0-0274-06202	32G66-07140	BOLT	3		
7-1	0-23711-0366	02371-10366	REAR BRACKET	1		
7-2	0-23750-0570		BRUSH HOLDER CO	1		INCL. 7-3, 2 UNITS OF 7-4
7-3	1-23913-0041	40466-01031	BRUSH SPRING	4		
7-4	0-23740-0354	0-23740-0354	BRUSH CO	4		
7-5	1-21941-0430	82666-10173	INSULATE WASHER	2		
7-6	1-21944-1240	12194-41240	INSULATE TUBE	1		
7-7	1-23941-0010	82666-10185	INSULATE WASHER	2		
7-8	1-23944-0050	12194-40050	INSULATE TUBE	1		
7-10	0-09001-4460	00900-14460	BOLT	2		THROUGH BOLT
7-11	1-23785-0160	37566-15115	LEAD WIRE CO	1		
8	0-25000-7481	32666-00411	SWITCH	1		
8-1	0-0270-06602		BOLT	1		
8-2	1-47927-0940		HOLDER	1		
#2	1-23921-0130	40666-10144	WASHER	1		
#3	1-23921-0140	40666-10141	WASHER	1		FOR ADJUSTMENT
#4	1-23941-0040	40666-10145	INSULATE WASHER	1		
#5	0-23921-0230	40666-10135	WASHER	1		FOR ADJUSTMENT
※	7-09210-3160		SEAL ASSY	1		



0-23000-7273

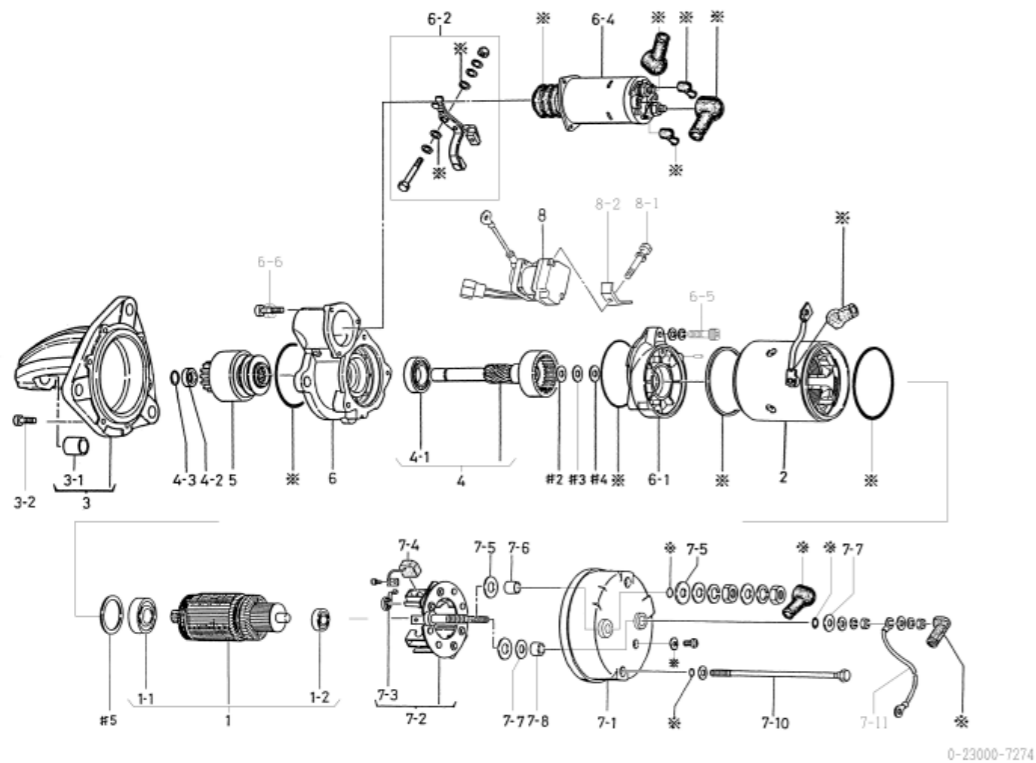
※	7-09210-3160	SEAL ASSY	
	1-0345-05001	SEAL WASHER	1
	1-0345-08001	SEAL WASHER	2
	1-0506-01001	O RING	1
	1-21951-1910	PACKING	1
	1-09211-0980	O RING	2
	1-09211-1120	O RING	1
	1-09252-0211	GUM CAP	3
	1-09252-0420	GUM CAP	1
	1-09252-0430	GUM CAP	1
	1-23951-0050	PACKING	1
	1-09252-0391	GUM CAP	2
	1-0505-00601	O RING	2
	1-47952-0370	GUM CAP	1

0-23000-7274 STARTING MOTOR

OEM CUSTOMER	MITSUBISHI HEAVY INDUSTRY	OEM PART NUMBER	37566-45210
NOMINAL OUTPUT	24V 7.5Kw	SUPPLY TERM	07.03~
WEIGHT	18.5kg	SWITCH	SAFETY RELAY (INSTALLED ON LEFT)
ENGINE MODEL	S6R, S6R2		
VEHICLE			
DESIGN RECORD			
NOTE	WATER PROOF φ114 SALT DAMAGE PROOFING OUTSIDE JAPAN MODEL OF 0-23000-7273		

0-23000-7274 STARTING MOTOR (MAKER PART NO 37566-45210)

No	Parts Number	Maker Parts No	Description	Qty	List Price	Note
1	7-23100-0420		ARMATURE ASSY	1		INCLUDING 1-1,1-2
1-1	1-0456-62047	40466-01028	BALL BEARING	1		FRONT
1-2	1-0456-62007	40566-01012	BALL BEARING	1		REAR
2	0-23200-0834		YOKE ASSY	1		INCL. 2 UNITS OF 7-4
3	0-23310-0785		FRONT BRACKET CO	1		INCLUDING 3-1
3-1	7-23351-0266	32597-01601	METAL	1		FRONT
3-2	1-0240-06305	37566-00123	BOLT	6		
4	7-23120-0090	37566-00221	SHAFT ASSY	1		INCLUDING 4-1
4-1	1-0456-60067	40466-01027	BALL BEARING	1		CENTER
4-2	1-23181-0020	37566-00126	PINION STOPPER	1		
4-3	1-23914-0020	37566-00125	CLIP RING	1		
5	0-23500-0444	37566-00127	O.R.CLUTCH ASSY	1		
6	0-23611-1035	37566-10312	CENTER BRACKET	1		
6-1	1-23611-0080	37566-00222	CENTER BRACKET	1		
6-2	7-23320-0120	37566-00211	SHIFT LEVER ASSY	1		
6-4	0-47100-4001	04710-04001	MAG.SWITCH ASSY	1		
6-5	1-0240-08405	37566-00114	BOLT	3		
6-6	0-0274-06202	32G66-07140	BOLT	3		
7-1	0-23711-0366	02371-10366	REAR BRACKET	1		
7-2	0-23750-0570		BRUSH HOLDER CO	1		INCL. 7-3, 2 UNITS OF 7-4
7-3	1-23913-0041	40466-01031	BRUSH SPRING	4		
7-4	0-23740-0354	0-23740-0354	BRUSH CO	4		
7-5	1-21941-0430	82666-10173	INSULATE WASHER	2		
7-6	1-21944-1240	12194-41240	INSULATE TUBE	1		
7-7	1-23941-0010	82666-10185	INSULATE WASHER	2		
7-8	1-23944-0050	12194-40050	INSULATE TUBE	1		
7-10	0-09001-4460	00900-14460	BOLT	2		THROUGH BOLT
7-11	1-23785-0160	37566-15115	LEAD WIRE CO	1		
8	0-25000-7481	32666-00411	SWITCH	1		
8-1	0-0270-06602		BOLT	1		
8-2	1-47927-0940		HOLDER	1		
#2	1-23921-0130	40666-10144	WASHER	1		
#3	1-23921-0140	40666-10141	WASHER	1		FOR ADJUSTMENT
#4	1-23941-0040	40666-10145	INSULATE WASHER	1		
#5	0-23921-0230	40666-10135	WASHER	1		FOR ADJUSTMENT
※	7-09210-3160		SEAL ASSY	1		



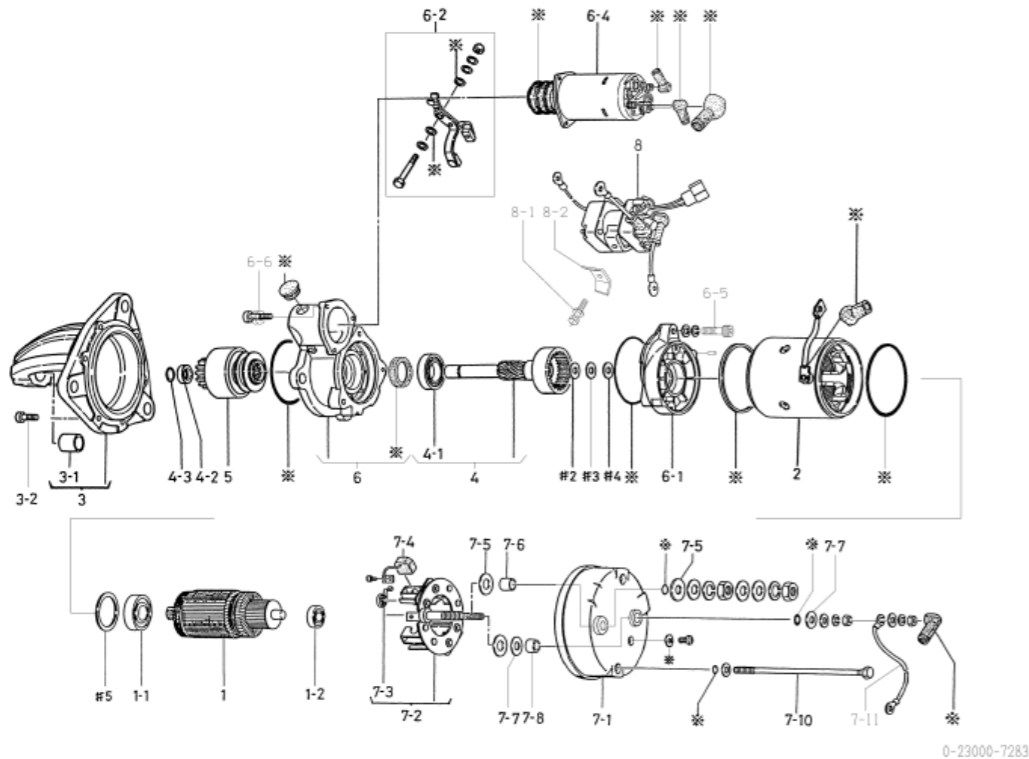
※	7-09210-3160	SEAL ASSY	
	1-0345-05001	SEAL WASHER	1
	1-0345-08001	SEAL WASHER	2
	1-0506-01001	O RING	1
	1-21951-1910	PACKING	1
	1-09211-0980	O RING	2
	1-09211-1120	O RING	1
	1-09252-0211	GUM CAP	3
	1-09252-0420	GUM CAP	1
	1-09252-0430	GUM CAP	1
	1-23951-0050	PACKING	1
	1-09252-0391	GUM CAP	2
	1-0505-00601	O RING	2
	1-47952-0370	GUM CAP	1

0-23000-7283 STARTING MOTOR

OEM CUSTOMER	KOMATSU	OEM PART NUMBER	600-813-4772
NOMINAL OUTPUT	24V 7.5Kw	SUPPLY TERM	02.09~
WEIGHT	18kg	SWITCH	SAFETY RELAY (INSTALLED ON RIGHT)
ENGINE MODEL	SA6D170A		
VEHICLE	6M170A/B		
DESIGN RECORD	7280→7281	SFR CHANGED	
	7281→7282	SFR CHANGED	
	7282→7283	SFR CHANGED	
NOTE	WATER PROOF OIL PROOF φ114		

0-23000-7283 STARTING MOTOR (MAKER PART NO 600-813-4772)

No	Parts Number	Maker Parts No	Description	Qty	List Price	Note
1	0-23100-0234		ARMATURE CO	1		
1-1	1-0456-62047		BALL BEARING	1		FRONT
1-2	1-0456-62007		BALL BEARING	1		REAR
2	0-23200-1130		YOKE ASSY	1		INCL. 2 UNITS OF 7-4
3	0-23310-0405		FRONT BRACKET CO	1		INCLUDING 3-1
3-1	7-23351-0085		METAL	1		FRONT
3-2	1-0240-06305		BOLT	6		
4	7-23120-0090		SHAFT ASSY	1		INCLUDING 4-1
4-1	1-0456-60067		BALL BEARING	1		CENTER
4-2	1-23181-0020		PINION STOPPER	1		
4-3	1-23914-0020		CLIP RING	1		
5	0-23500-0164		O.R.CLUTCH ASSY	1		
6	0-23600-0104		C. BRACKET ASSY	1		INCLUDING OIL SEAL
6-1	1-23611-0080		CENTER BRACKET	1		
6-2	7-23320-0120		SHIFT LEVER ASSY	1		
6-4	0-47100-4854		MAG.SWITCH ASSY	1		
6-5	1-0240-08405		BOLT	3		
6-6	0-0274-06202		BOLT	3		
7-1	0-23711-0366		REAR BRACKET	1		
7-2	0-23750-0570		BRUSH HOLDER CO	1		INCL. 7-3, 2 UNITS OF 7-4
7-3	1-23913-0041		BRUSH SPRING	4		
7-4	0-23740-0354		BRUSH CO	4		
7-5	1-21941-0430		INSULATE WASHER	2		
7-6	1-21944-1240		INSULATE TUBE	1		
7-7	1-23941-0010		INSULATE WASHER	2		
7-8	1-23944-0050		INSULATE TUBE	1		
7-10	0-09001-4460		BOLT	2		THROUGH BOLT
7-11	1-23785-0160		LEAD WIRE CO	1		
8	0-25000-8830		SWITCH	1		
8-1	0-0270-06602		BOLT	1		
8-2	1-47927-0940		HOLDER	1		
#2	1-23921-0130		WASHER	1		
#3	1-23921-0140		WASHER	1		FOR ADJUSTMENT
#4	1-23941-0040		INSULATE WASHER	1		
#5	0-23921-0230		WASHER	1		FOR ADJUSTMENT
※	7-09210-3170		SEAL ASSY	1		



0-23000-7283

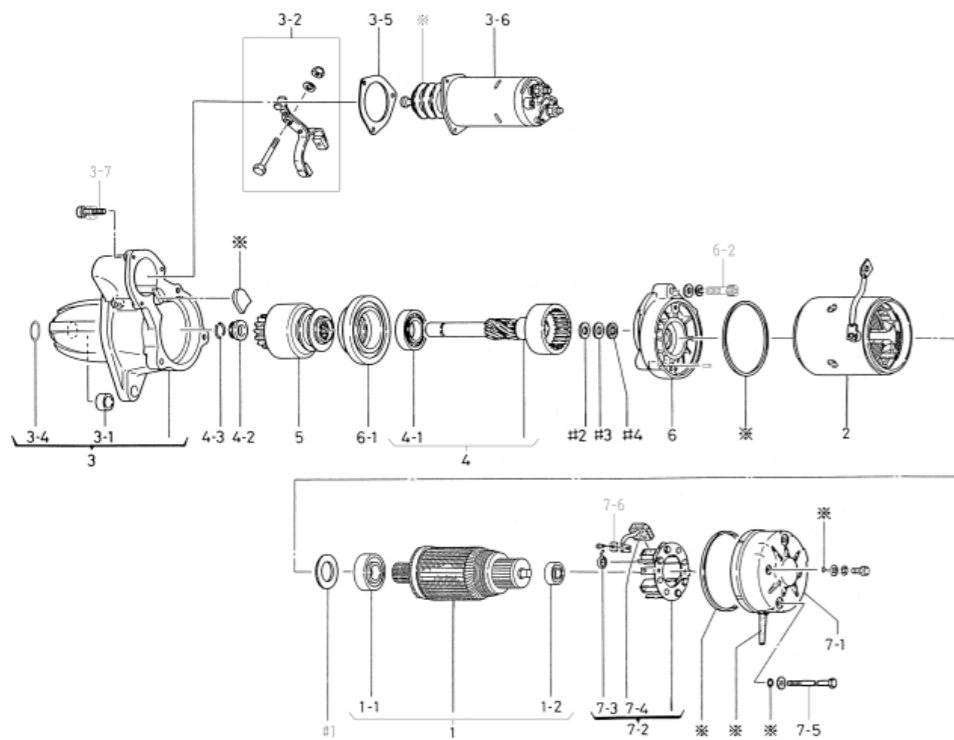
※	7-09210-3170	SEAL ASSY	
	1-0345-05001	SEAL WASHER	1
	1-0345-08001	SEAL WASHER	2
	1-0506-01001	O RING	1
	1-21951-1910	PACKING	1
	1-09211-0980	O RING	2
	1-09211-1120	O RING	1
	1-09252-0211	GUM CAP	1
	1-09252-0420	GUM CAP	1
	1-09252-0430	GUM CAP	1
	1-23951-0050	PACKING	1
	1-09252-0391	GUM CAP	2
	1-47953-0081	GUM BUSH	1
	1-0505-00601	O RING	2
	1-09210-1040	OIL SEAL	1
	1-47952-0370	GUM CAP	1

0-23000-7292 STARTING MOTOR

OEM CUSTOMER	ISUZU	OEM PARTS NUMBER	1-81100294-1
NOMINAL OUT PUT	24V 7.4Kw	SUPPLY TERM	93.02~
WEIGHT	15.5 kg	SWITCH	N/A
ENGINE MODEL	6SD1, 6SD1TPD		
VEHICLE	INDUSTRY		
DESIGN RECORD	7291 →7292 FRONT BRACKET CHANGED		
NOTE	DRIP PROOF φ114		

0-23000-7292 STARTING MOTOR (MAKER PART NO 1-81100294-1)

No	Parts Number	Maker Parts No	Description	Qty	List Price	Note
1	7-23100-0420		ARMATURE ASSY	1		INCLUDING 1-1, 1-2
1-1	1-0456-62047	1-81129294-0	BALL BEARING	1		FRONT
1-2	1-0456-62007	1-81129196-0	BALL BEARING	1		REAR
2	0-23200-0555		YOKE ASSY	1		INCL. 2 UNITS OF 7-4
3	0-23310-1404		FRONT BRACKET ASSY	1		INCLUDING 3-1, 3-4
3-1	7-23351-0114	8-98155025-0	METAL	1		FRONT
3-2	7-23320-0080	1-81127047-0	SHIFT LEVER ASSY	1		
3-4	1-23761-0030	1-81129436-0	COVER	1		
3-5	0-23922-0200	1-81129598-0	PLATE	1		
3-6	0-47100-4141	1-81151090-0	MAG.SWITCH ASSY	1		
3-7	0-0275-06222	1-81129419-0	BOLT	3		
4	7-23120-0170	1-81123435-0	SHAFT ASSY	1		INCLUDING 4-1
4-1	1-0456-60067	1-81129200-0	BALL BEARING	1		CENTER
4-2	1-23181-0010	1-81129304-0	PINION STOPPER	1		
4-3	1-23914-0010	1-81129303-0	CLIP RING	2		
5	0-23500-0115	8-98155032-0	O.R.CLUTCH ASSY	1		
6	0-23611-0650	1-81113121-0	CENTER BRACKET	1		
6-1	1-23611-0071	1-81113084-0	CENTER BRACKET	1		
6-2	1-0240-08405	1-81129293-0	BOLT	3		
7-1	0-23710-0160	1-81113122-0	R.BRACKET CO	1		
7-2	7-23750-0024		BRUSH HOLDER CO	1		INCLUDING 7-3, 7-4, 7-6
7-3	1-23913-0040	1-81117016-0	BRUSH SPRING	4		
7-4	0-23740-0354	8-98155018-0	BRUSH CO	4		
7-5	0-23901-0030	1-81129292-0	BOLT	2		THROUGH BOLT
7-6	1-25922-2800		PLATE	4		
#1	0-09057-0140	1-81129592-0	WASHER	1		
#2	1-23921-0130	5-81129160-0	WASHER	1		
#3	1-23921-0140	5-81129159-0	WASHER	1		
#4	1-23941-0040	1-81129295-0	INSULATE WASHER	1		
※	7-09210-2020	1-81129601-0	SEAL ASSY	1		



0-23000-7292

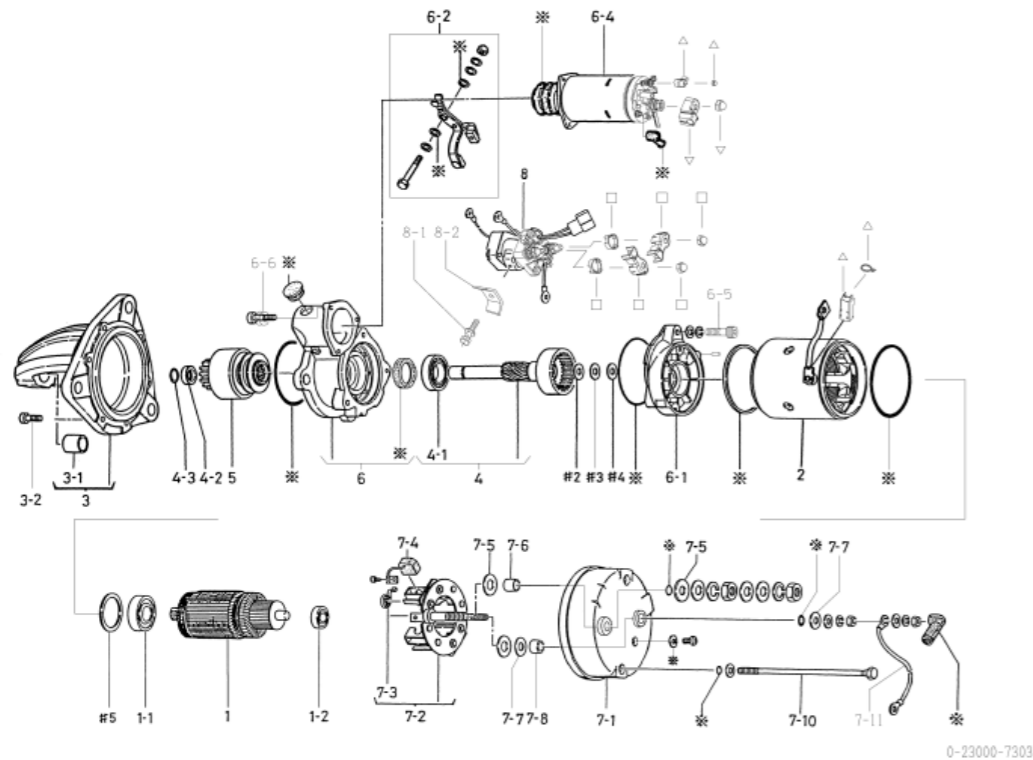
7-09210-2020	SEAL ASSY	
1-0345-05001	SEAL WASHER	2
1-0505-00501	O RING	2
1-0505-00601	O RING	2
1-09211-0571	O RING	1
1-23951-0050	PACKING	1
1-23951-0120	PACKING	1
1-23951-0130	PACKING	1
0-23952-0012	GUM CAP	1
1-47952-0370	GUM CAP	1

0-23000-7303 STARTING MOTOR

OEM CUSTOMER	KOMATSU	OEM PART NUMBER	600-813-7312
NOMINAL OUTPUT	24V 7.5Kw	SUPPLY TERM	02.06~
WEIGHT	18kg	SWITCH	SAFETY RELAY (INSTALLED ON RIGHT)
ENGINE MODEL	SA12V140M		
VEHICLE	12M140A-1		
DESIGN RECORD	7300→7301	SFR CHANGED	
	7301→7302	SFR CHANGED	
	7302→7303	JUMP START PROTECTION. SFR & MAG. SWITCH CHANGED	
NOTE	WATER PROOF OIL PROOF φ114		

0-23000-7303 STARTING MOTOR (MAKER PART NO 600-813-7312)

No	Parts Number	Maker Parts No	Description	Qty	List Price	Note
1	0-23100-0234		ARMATURE CO	1		
1-1	1-0456-62047		BALL BEARING	1		FRONT
1-2	1-0456-62007		BALL BEARING	1		REAR
2	0-23200-1130		YOKE ASSY	1		INCL. 2 UNITS OF 7-4
3	0-23310-0266		FRONT BRACKET CO	1		INCLUDING 3-1
3-1	7-23351-0085		METAL	1		FRONT
3-2	1-0240-06305		BOLT	6		
4	7-23120-0090		SHAFT ASSY	1		INCLUDING 4-1
4-1	1-0456-60067		BALL BEARING	1		CENTER
4-2	1-23181-0020		PINION STOPPER	1		
4-3	1-23914-0020		CLIP RING	1		
5	0-23500-0164		O.R.CLUTCH ASSY	1		
6	0-23600-0480		C. BRACKET ASSY	1		INCLUDING OIL SEAL
6-1	1-23611-0080		CENTER BRACKET	1		
6-2	7-23320-0120		SHIFT LEVER ASSY	1		
6-4	0-47100-0300		MAG.SWITCH ASSY	1		
6-5	1-0240-08405		BOLT	3		
6-6	0-0274-06202		BOLT	3		
7-1	0-23711-0366		REAR BRACKET	1		
7-2	0-23750-0570		BRUSH HOLDER CO	1		INCL. 7-3, 2 PCS OF 7-4
7-3	1-23913-0041		BRUSH SPRING	4		
7-4	0-23740-0354		BRUSH CO	4		
7-5	1-21941-0430		INSULATE WASHER	2		
7-6	1-21944-1240		INSULATE TUBE	1		
7-7	1-23941-0010		INSULATE WASHER	2		
7-8	1-23944-0050		INSULATE TUBE	1		
7-10	0-09001-4460		BOLT	2		THROUGH BOLT
7-11	1-23785-0160		LEAD WIRE CO	1		
8	0-25000-9220		SWITCH	1		
8-1	0-0270-06602		BOLT	1		
8-2	1-47927-0940		HOLDER	1		
#2	1-23921-0130		WASHER	1		
#3	1-23921-0140		WASHER	1		FOR ADJUSTMENT
#4	1-23941-0040		INSULATE WASHER	1		
#5	0-23921-0230		WASHER	1		FOR ADJUSTMENT
△	7-47761-0010		MAG.SWITCH COVER ASSY	1		
□	7-47761-0030		SWITCH COVER ASSY	1		
※	7-09210-3180		SEAL ASSY	1		



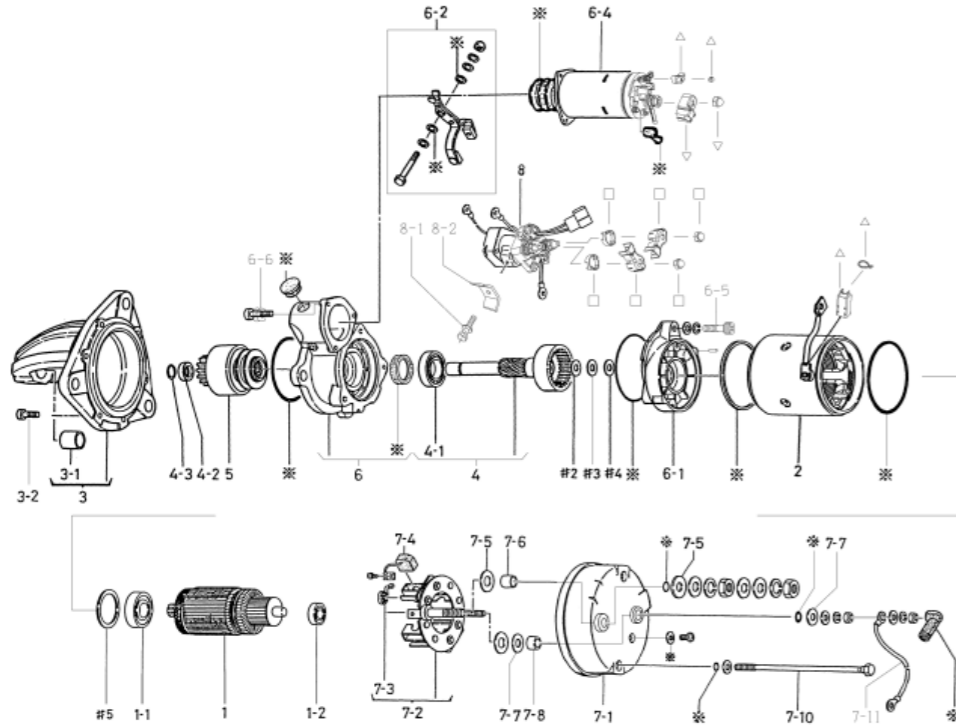
※	7-09210-3180	SEAL ASSY	
	1-0345-05001	SEAL WASHER	1
	1-0345-08001	SEAL WASHER	2
	1-0506-01001	O RING	1
	1-21951-1910	PACKING	1
	1-09211-0980	O RING	2
	1-09211-1120	O RING	1
	1-0505-00601	O RING	2
	1-09210-1060	OIL SEAL	1
	1-47952-0370	GUM CAP	1
	1-23951-0050	PACKING	1
	1-09252-0391	GUM CAP	2
	1-47953-0081	GUM BUSH	1

0-23000-7304 STARTING MOTOR

OEM CUSTOMER	KOMATSU	OEM PART NUMBER	600-813-7313
NOMINAL OUTPUT	24V 7.5Kw	SUPPLY TERM	15.05~
WEIGHT	18kg	SWITCH	SAFETY RELAY (INSTALLED ON RIGHT)
ENGINE MODEL	SA12V140M		
VEHICLE	12M140A-1		
DESIGN RECORD	7300→7301	SFR CHANGED	
	7301→7302	SFR CHANGED	
	7302→7303	JUMP START PROTECTION. SFR & MAG. SWITCH CHANGED	
	7303→7304	CAUTION PLATE CHANGED	
NOTE	WATER PROOF OIL PROOF φ114		

0-23000-7304 STARTING MOTOR (MAKER PART NO 600-813-7313)

No	Parts Number	Maker Parts No	Description	Qty	List Price	Note
1	0-23100-0234		ARMATURE CO	1		
1-1	1-0456-62047		BALL BEARING	1		FRONT
1-2	1-0456-62007		BALL BEARING	1		REAR
2	0-23200-1130		YOKE ASSY	1		INCL. 2 PCS OF 7-4
3	0-23310-0266		FRONT BRACKET CO	1		INCLUDING 3-1
3-1	7-23351-0085		METAL	1		FRONT
3-2	1-0240-06305		BOLT	6		
4	7-23120-0090		SHAFT ASSY	1		INCLUDING 4-1
4-1	1-0456-60067		BALL BEARING	1		CENTER
4-2	1-23181-0020		PINION STOPPER	1		
4-3	1-23914-0020		CLIP RING	1		
5	0-23500-0164		O.R.CLUTCH ASSY	1		
6	0-23600-0480		C. BRACKET ASSY	1		INCLUDING OIL SEAL
6-1	1-23611-0080		CENTER BRACKET	1		
6-2	7-23320-0120		SHIFT LEVER ASSY	1		
6-4	0-47100-0304		MAG.SWITCH ASSY	1		
6-5	1-0240-08405		BOLT	3		
6-6	0-0274-06202		BOLT	3		
7-1	0-23711-0366		REAR BRACKET	1		
7-2	0-23750-0570		BRUSH HOLDER CO	1		INCL. 7-3, 2 PCS OF 7-4
7-3	1-23913-0041		BRUSH SPRING	4		
7-4	0-23740-0354		BRUSH CO	4		
7-5	1-21941-0430		INSULATE WASHER	2		
7-6	1-21944-1240		INSULATE TUBE	1		
7-7	1-23941-0010		INSULATE WASHER	2		
7-8	1-23944-0050		INSULATE TUBE	1		
7-10	0-09001-4460		BOLT	2		THROUGH BOLT
7-11	1-23785-0160		LEAD WIRE CO	1		
8	0-25000-9220		SWITCH	1		
8-1	0-0270-06602		BOLT	1		
8-2	1-47927-0940		HOLDER	1		
#2	1-23921-0130		WASHER	1		
#3	1-23921-0140		WASHER	1		FOR ADJUSTMENT
#4	1-23941-0040		INSULATE WASHER	1		
#5	0-23921-0230		WASHER	1		FOR ADJUSTMENT
△	7-47761-0010		MAG.SWITCH COVER ASSY	1		
□	7-47761-0030		SWITCH COVER ASSY	1		
※	7-09210-3180		SEAL ASSY	1		



0-23000-7304

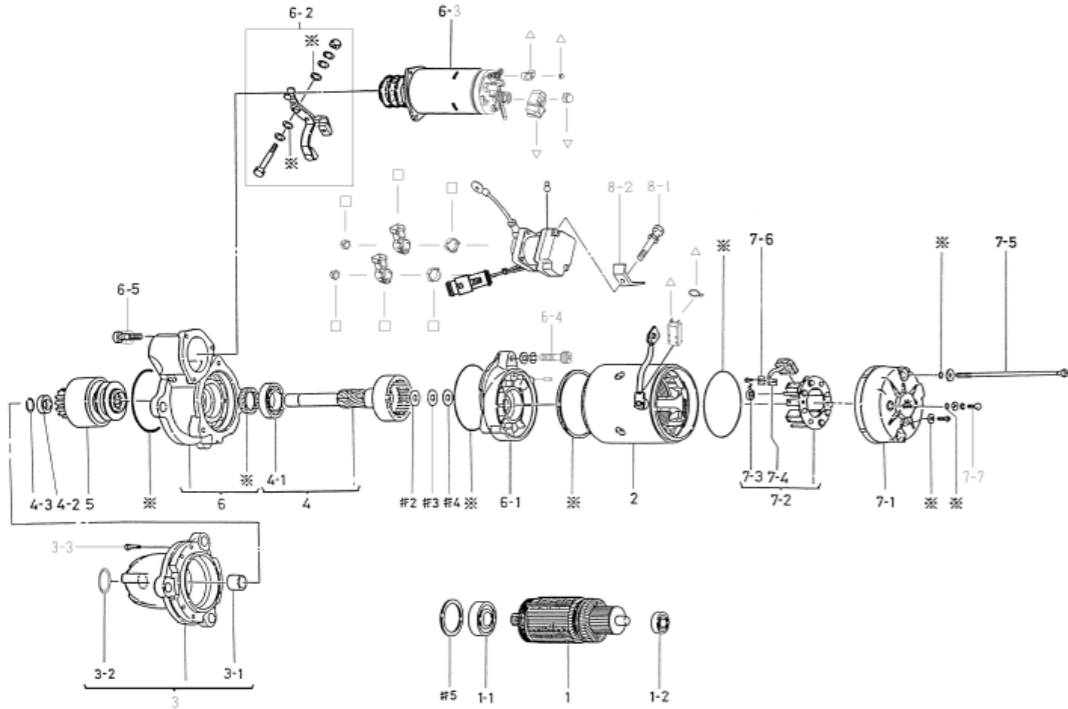
※	7-09210-3180	SEAL ASSY	
	1-0345-05001	SEAL WASHER	1
	1-0345-08001	SEAL WASHER	2
	1-0506-01001	O RING	1
	1-21951-1910	PACKING	1
	1-09211-0980	O RING	2
	1-09211-1120	O RING	1
	1-0505-00601	O RING	2
	1-09210-1060	OIL SEAL	1
	1-47952-0370	GUM CAP	1
	1-23951-0050	PACKING	1
	1-09252-0391	GUM CAP	2
	1-47953-0081	GUM BUSH	1

0-23000-7363 STARTING MOTOR

OEM CUSTOMER	KOMATSU	OEM PARTS NUMBER	600-813-3613
NOMINAL OUT PUT	24V 7.5Kw	SUPPLY TERM	02.06~
WEIGHT	18kg	SWITCH	SAFETY RELAY (INSTALLED ON LEFT)
ENGINE MODEL	SA6D170		
VEHICLE	D375A-1		
DESIGN RECORD	7360 → 7361 SFR CHANGED 7361 → 7362 SFR CHANGED 7362 → 7363 JUMP START PROTECTION. SFR & MAG. SWITCH CHANGED		
NOTE	WATER PROOF OIL PROOF φ114		

0-23000-7363 STARTING MOTOR (MAKER PART NO 600-813-3613)

No	Parts Number	Maker Parts No	Description	Qty	List Price	Note
1	0-23100-0231		ARMATURE CO	1		
1-1	1-0456-62047		BALL BEARING	1		FRONT
1-2	1-0456-62007		BALL BEARING	1		REAR
2	0-23200-1120		YOKE ASSY	1		INC. 2 PCS EACH OF 7-4 & 7-6
3	0-23300-0275		F. BRACKET ASSY	1		INCLUDING 3-1, 3-2
3-1	7-23351-0085		METAL	1		FRONT
3-2	1-23761-0010		COVER	1		
3-3	1-0240-06305		BOLT	6		
4	7-23120-0090		SHAFT ASSY	1		INCLUDING 4-1
4-1	1-0456-60067		BALL BEARING	1		CENTER
4-2	1-23181-0020		PINION STOPPER	1		
4-3	1-23914-0020		CLIP RING	1		
5	0-23500-0164		O.R.CLUTCH ASSY	1		
6	1-23600-0080		C. BRACKET ASSY	1		INCLUDING OIL SEAL
6-1	1-23611-0080		CENTER BRACKET	1		
6-2	7-23320-0120		SHIFT LEVER ASSY	1		
6-3	7-47100-0250		MAG.SWITCH ASSY	1		
6-4	1-0240-08405		BOLT	3		
6-5	0-0274-06202		BOLT	3		
7-1	0-23711-0221		REAR BRACKET	1		
7-2	7-23750-0024		BRUSH HOLDER CO	1		INCLUDING 7-3, 7-4 & 7-6
7-3	1-23913-0040		BRUSH SPRING	4		
7-4	1-23740-0354		BRUSH CO	4		
7-5	0-09001-4380		BOLT	2		THROUGH BOLT
7-6	1-25922-2800		PLATE	4		
7-7	0-09001-4181		BOLT	2		
8	0-25000-6833		SWITCH	1		
8-1	0-0270-06602		BOLT	1		
8-2	1-47927-0940		HOLDER	1		
#2	1-23921-0130		WASHER	1		
#3	1-23921-0140		WASHER	1		FOR ADJUSTMENT
#4	1-23941-0040		INSULATE WASHER	1		
#5	0-23921-0230		WASHER	1		FOR ADJUSTMENT
※	7-09210-2880		SEAL ASSY	1		
△	7-47761-0010		MAG.SWITCH COVER ASSY	1		
□	7-47761-0030		SWITCH COVER ASSY	1		



0-23000-7363

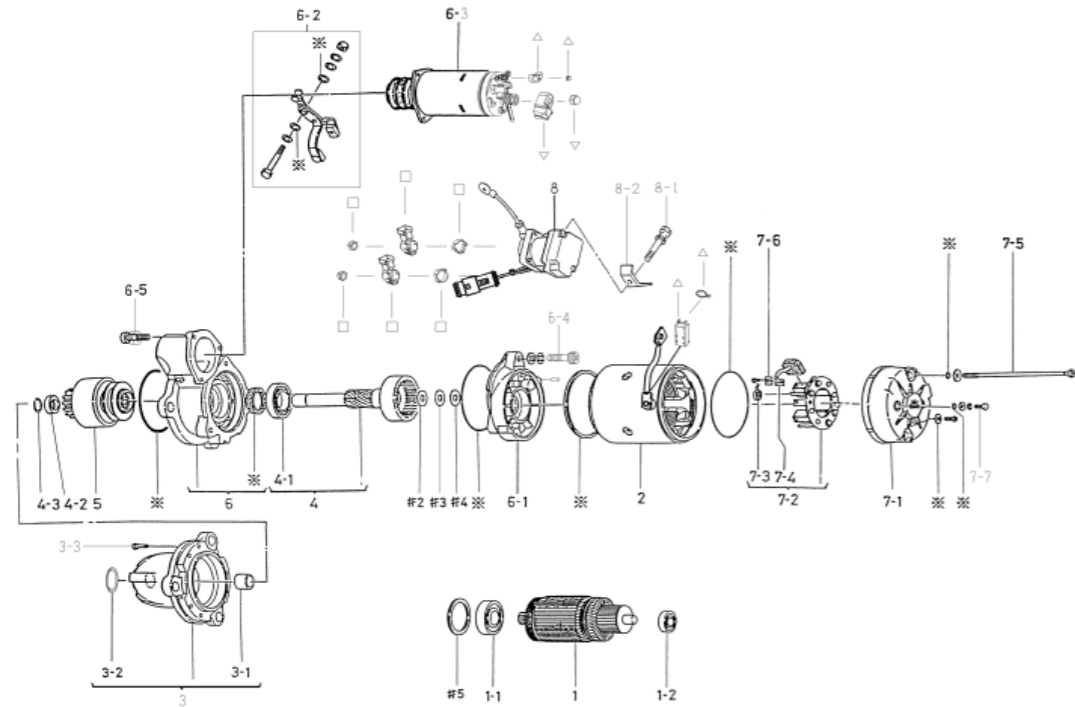
※	7-09210-2880	SEAL ASSY	
	1-0345-05001	SEAL WASHER	1
	1-0345-08001	SEAL WASHER	2
	1-23951-0050	PACKING	1
	1-09210-1040	OIL SEAL	1
	1-0505-00501	O RING	2
	1-0505-00601	O RING	2
	1-09211-0980	O RING	2
	1-09211-1120	O RING	1

0-23000-7364 STARTING MOTOR

OEM CUSTOMER	KOMATSU	OEM PARTS NUMBER	600-813-3614
NOMINAL OUT PUT	24V 7.5Kw	SUPPLY TERM	15.05~
WEIGHT	18kg	SWITCH	SAFETY RELAY (INSTALLED ON LEFT)
ENGINE MODEL	SA6D170		
VEHICLE	D375A-1		
DESIGN RECORD	7360 → 7361 SFR CHANGED 7361 → 7362 SFR CHANGED 7362 → 7363 JUMP START PROTECTION. SFR & MAG. SWITCH CHANGED 7363 → 7364 CAUTION PLATE CHANGED		
NOTE	WATER PROOF OIL PROOF φ114		

0-23000-7364 STARTING MOTOR (MAKER PART NO 600-813-3614)

No	Parts Number	Maker Parts No	Description	Qty	List Price	Note
1	0-23100-0231		ARMATURE CO	1		
1-1	1-0456-62047		BALL BEARING	1		FRONT
1-2	1-0456-62007		BALL BEARING	1		REAR
2	0-23200-1120		YOKE ASSY	1		INC. 2 PCS EACH OF 7-4 & 7-6
3	0-23300-0275		F. BRACKET ASSY	1		INCLUDING 3-1, 3-2
3-1	7-23351-0085		METAL	1		FRONT
3-2	1-23761-0010		COVER	1		
3-3	1-0240-06305		BOLT	6		
4	7-23120-0090		SHAFT ASSY	1		INCLUDING 4-1
4-1	1-0456-60067		BALL BEARING	1		CENTER
4-2	1-23181-0020		PINION STOPPER	1		
4-3	1-23914-0020		CLIP RING	1		
5	0-23500-0164		O.R.CLUTCH ASSY	1		
6	1-23600-0080		C. BRACKET ASSY	1		INCLUDING OIL SEAL
6-1	1-23611-0080		CENTER BRACKET	1		
6-2	7-23320-0120		SHIFT LEVER ASSY	1		
6-3	7-47100-0254		MAG.SWITCH ASSY	1		
6-4	1-0240-08405		BOLT	3		
6-5	0-0274-06202		BOLT	3		
7-1	0-23711-0221		REAR BRACKET	1		
7-2	7-23750-0024		BRUSH HOLDER CO	1		INCLUDING 7-3, 7-4, 7-6
7-3	1-23913-0040		BRUSH SPRING	4		
7-4	1-23740-0354		BRUSH CO	4		
7-5	0-09001-4380		BOLT	2		THROUGH BOLT
7-6	1-25922-2800		PLATE	4		
7-7	0-09001-4181		BOLT	2		
8	0-25000-6833		SWITCH	1		
8-1	0-0270-06602		BOLT	1		
8-2	1-47927-0940		HOLDER	1		
#2	1-23921-0130		WASHER	1		
#3	1-23921-0140		WASHER	1		FOR ADJUSTMENT
#4	1-23941-0040		INSULATE WASHER	1		
#5	0-23921-0230		WASHER	1		FOR ADJUSTMENT
※	7-09210-2880		SEAL ASSY	1		
△	7-47761-0010		MAG.SWITCH COVER ASSY	1		
□	7-47761-0030		SWITCH COVER ASSY	1		



0-23000-7364

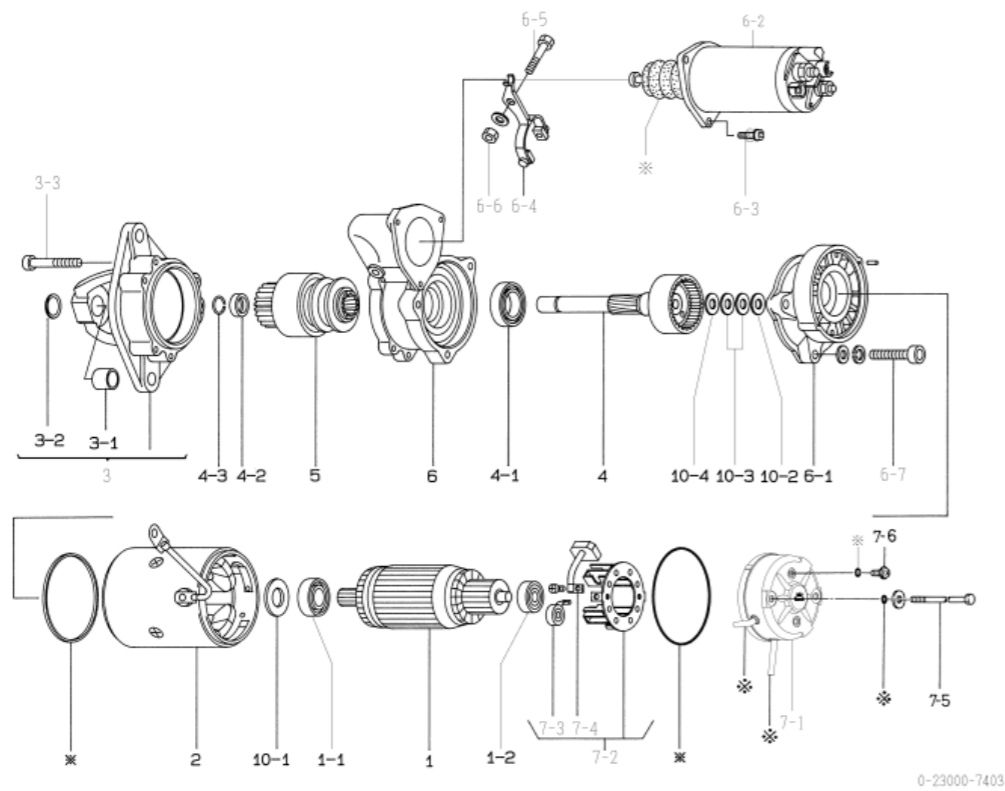
※	7-09210-2880	SEAL ASSY	
	1-0345-05001	SEAL WASHER	1
	1-0345-08001	SEAL WASHER	2
	1-23951-0050	PACKING	1
	1-09210-1040	OIL SEAL	1
	1-0505-00501	O RING	2
	1-0505-00601	O RING	2
	1-09211-0980	O RING	2
	1-09211-1120	O RING	1

0-23000-7403 STARTING MOTOR

OEM CUSTOMER	ISUZU	OEM PARTS NUMBER	1-81100418-1
NOMINAL OUT PUT	24V 8Kw	SUPPLY TERM	02.08~
WEIGHT	19.3kg	SWITCH	STARTER RELAY (OPTIONAL)
ENGINE MODEL	12PE1		
VEHICLE	LV, OTHER		
DESIGN RECORD	7401 →7402	MAG.SWITCH CHANGED, ANGLE OF TERMINAL CHANGED	
	7402 →7403	REAR BRACKET CHANGED	
NOTE	DRIP PROOF φ114		

0-23000-7403 STARTING MOTOR (MAKER PART NO 1-81100418-1)

No	Parts Number	Maker Parts No	Description	Qty	List Price	Note
1	0-23100-0261	1-81129684-0	ARMATURE CO	1		
1-1	1-0456-62057	1-81229285-0	BALL BEARING	1		FRONT
1-2	1-0456-62007	1-81129196-0	BALL BEARING	1		REAR
2	0-23200-0608		YOKE ASSY	1		INC 2 PCS 7-4
3	0-23310-1525	1-81129686-0	FRONT BRACKET CO	1		INCLUDING 3-1, 3-2
3-1	7-23351-0264		METAL	1		FRONT
3-2	1-23761-0010	1-81129305-0	COVER	1		
3-3	1-0240-06505	1-81129542-0	BOLT	6		
4	1-23111-0161	1-81123043-0	SHAFT	1		
4-1	0-09201-0850	1-81129658-0	BALL BEARING	1		CENTER
4-2	1-23181-0020	1-81129190-0	PINION STOPPER	1		
4-3	1-23914-0020	1-81129189-0	CLIP RING	1		
5	0-23500-0865		O.R.CLUTCH ASSY	1		
6	0-23611-0980	1-81129690-0	CENTER BRACKET	1		
6-1	0-23611-0720	1-81113100-0	CENTER BRACKET	1		
6-2	0-47100-4710	1-81151123-0	MAG.SWITCH ASSY	1		
6-3	0-09001-4840	1-81129603-0	BOLT	3		
6-4	1-23320-0190	1-81127035-0	SHIFT LEVER CO	1		
6-5	0-23303-0010	1-81129185-0	LEVER PIN	1		
6-6	1-09279-0090	1-81129184-0	NUT	1		
6-7	1-0240-08405	1-81129293-0	BOLT	3		
7-1	0-23710-0270	1-81129942-0	R.BRACKET CO	1		
7-2	7-23750-0150	1-81129736-0	BRUSH HOLDER CO	1		INCLUDING 7-3, 7-4
7-3	1-23913-0040	1-81117016-0	BRUSH SPRING	4		
7-4	0-23740-0354	8-98155018-0	BRUSH CO	4		
7-5	0-09001-4460	1-81129537-0	BOLT	2		THROUGH BOLT
7-6	0-09011-3140	1-81129641-0	SCREW	2		
10-1	0-09057-0110	1-81129540-0	WASHER	1		
10-2	1-23941-0040	1-81129295-0	INSULATE WASHER	1		
10-3	1-23921-0140	5-81129159-0	WASHER	2		
10-4	1-23921-0130	5-81129160-0	WASHER	1		
※	7-09210-2720		SEAL ASSY	1		

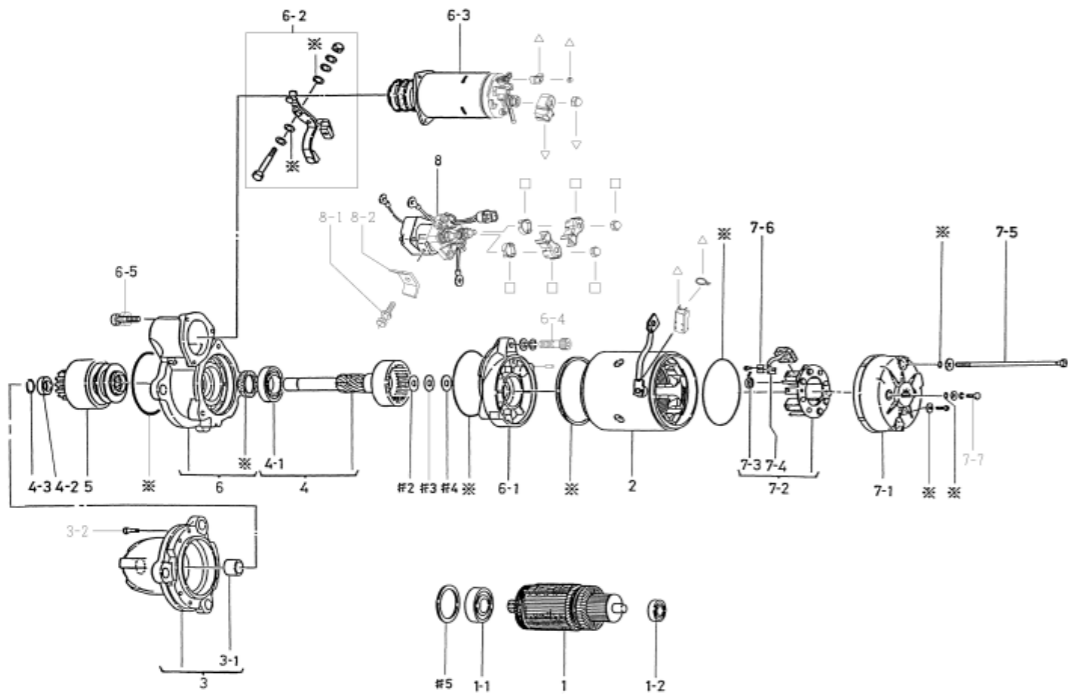


0-23000-7403

7-09210-2720	SEAL ASSY		
0-23952-0030	GUM CAP	1	
0-24952-0020	GUM CAP	1	
1-47952-0371	GUM CAP	1	
1-09211-0081	O RING	4	
1-09211-0520	O RING	2	
1-09211-0571	O RING	1	
1-09211-1120	O RING	1	
1-23951-0050	PACKING	1	

0-23000-7423 STARTING MOTOR

OEM CUSTOMER	KOMATSU	OEM PARTS NUMBER	600-813-7612
NOMINAL OUT PUT	24V 7.5Kw	SUPPLY TERM	02.06~
WEIGHT	18kg	SWITCH	SAFETY RELAY (INSTALLED ON RIGHT)
ENGINE MODEL	S6D125E-2		
VEHICLE	PC750		
DESIGN RECORD	7420 →7421 SFR CHANGED 7421 →7422 SFR CHANGED 7422 →7423 JUMP START PROTECTION, SFR & MAG. SWITCH CHANGED, THE PAINTING OF OUTER SURFACE WAS ABOLISHED		
NOTE	WATER PROOF OIL PROOF φ 114		



0-23000-7423

0-23000-7423 STARTING MOTOR (MAKER PART NO 600-813-7612)

No	Parts Number	Maker Parts No	Description	Qty	List Price	Note
1	0-23100-0231		ARMATURE CO	1		
1-1	1-0456-62047		BALL BEARING	1		FRONT
1-2	1-0456-62007		BALL BEARING	1		REAR
2	0-23200-1120		YOKE ASSY	1		INC. 2 PCS EACH OF 7-4 & 7-6
3	1-23310-0405		FRONT BRACKET CO	1		INCLUDING 3-1
3-1	7-23351-0085		METAL	1		FRONT
3-2	1-0240-06305		BOLT	6		
4	7-23120-0090		SHAFT ASSY	1		INCLUDING 4-1
4-1	1-0456-60067		BALL BEARING	1		CENTER
4-2	1-23181-0020		PINION STOPPER	1		
4-3	1-23914-0020		CLIP RING	1		
5	1-23500-0174		O.R.CLUTCH ASSY	1		
6	0-23600-0101		CENTER BRACKET ASSY	1		INCLUDING OIL SEAL
6-1	1-23611-0080		CENTER BRACKET	1		
6-2	7-23320-0120		SHIFT LEVER CO	1		
6-3	7-47100-0260		MAG.SWITCH ASSY	1		
6-4	1-0240-08405		BOLT	3		
6-5	0-0274-06202		BOLT	3		
7-1	0-23711-0221		REAR BRACKET	1		
7-2	7-23750-0034		BRUSH HOLDER CO	1		INCLUDING 7-3, 7-4, 7-6
7-3	1-23913-0041		BRUSH SPRING	4		
7-4	1-23740-0354		BRUSH CO	4		
7-5	0-09001-4380		BOLT	2		THROUGH BOLT
7-6	1-25922-2800		PLATE	4		
7-7	0-09001-4181		BOLT	2		
8	0-25000-8421		SWITCH	1		
8-1	0-0270-06602		BOLT	1		
8-2	1-47927-0940		HOLDER	1		
#2	1-23921-0130		WASHER	1		
#3	1-23921-0140		WASHER	1		FOR ADJUSTMENT
#4	1-23941-0040		INSULATE WASHER	1		
#5	0-23921-0230		WASHER	1		FOR ADJUSTMENT
※	7-09210-2880		SEAL ASSY	1		
△	7-47761-0010		MAG.SWITCH COVER ASSY	1		
□	7-47761-0030		SWITCH COVER ASSY	1		

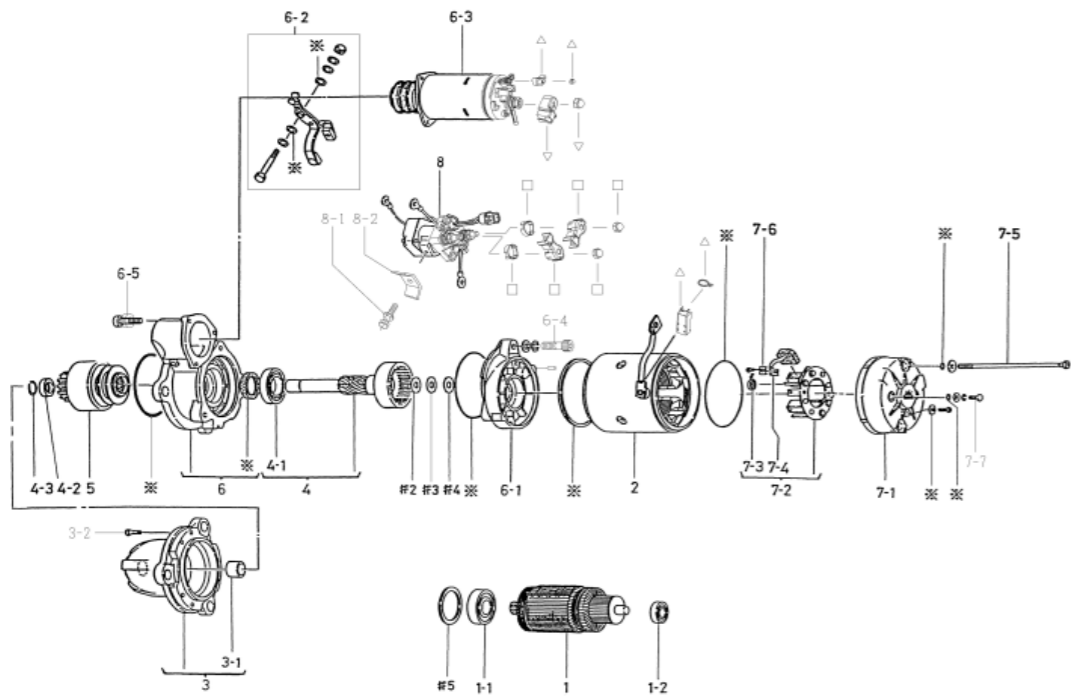
※	7-09210-2880	SEAL ASSY	
	1-0345-05001	SEAL WASHER	1
	1-0345-08001	SEAL WASHER	2
	1-23951-0050	PACKING	1
	1-09210-1040	OIL SEAL	1
	1-0505-00501	O RING	2
	1-0505-00601	O RING	2
	1-09211-0980	O RING	2
	1-09211-1120	O RING	1

0-23000-7424 STARTING MOTOR

OEM CUSTOMER	KOMATSU	OEM PARTS NUMBER	600-813-7613
NOMINAL OUT PUT	24V 7.5Kw	SUPPLY TERM	15.05~
WEIGHT	18kg	SWITCH	SAFETY RELAY (INSTALLED ON RIGHT)
ENGINE MODEL	S6D125E-2		
VEHICLE	PC750		
DESIGN RECORD	7420 →7421	SFR CHANGED	
	7421 →7422	SFR CHANGED	
	7422 →7423	JUMP START PROTECTION. SFR & MAG. SWITCH CHANGED, THE PAINTING OF OUTER SURFACE WAS ABOLISHED	
	7423 →7424	CAUTION PLATE CHANGED	
NOTE	WATER PROOF OIL PROOF φ114		

0-23000-7424 STARTING MOTOR (MAKER PART NO 600-813-7613)

No	Parts Number	Maker Parts No	Description	Qty	List Price	Note
1	0-23100-0231		ARMATURE CO	1		
1-1	1-0456-62047		BALL BEARING	1		FRONT
1-2	1-0456-62007		BALL BEARING	1		REAR
2	0-23200-1120		YOKE ASSY	1		INC. 2 PCS EACH OF 7-4 & 7-6
3	1-23310-0405		FRONT BRACKET CO	1		INCLUDING 3-1
3-1	7-23351-0085		METAL	1		FRONT
3-2	1-0240-06305		BOLT	6		
4	7-23120-0090		SHAFT ASSY	1		INCLUDING 4-1
4-1	1-0456-60067		BALL BEARING	1		CENTER
4-2	1-23181-0020		PINION STOPPER	1		
4-3	1-23914-0020		CLIP RING	1		
5	1-23500-0174		O.R.CLUTCH ASSY	1		
6	0-23600-0101		CENTER BRACKET ASSY	1		INCLUDING OIL SEAL
6-1	1-23611-0080		CENTER BRACKET	1		
6-2	7-23320-0120		SHIFT LEVER CO	1		
6-3	7-47100-0264		MAG.SWITCH ASSY	1		
6-4	1-0240-08405		BOLT	3		
6-5	0-0274-06202		BOLT	3		
7-1	0-23711-0221		REAR BRACKET	1		
7-2	7-23750-0034		BRUSH HOLDER CO	1		INCLUDING 7-3, 7-4, 7-6
7-3	1-23913-0041		BRUSH SPRING	4		
7-4	1-23740-0354		BRUSH CO	4		
7-5	0-09001-4380		BOLT	2		THROUGH BOLT
7-6	1-25922-2800		PLATE	4		
7-7	0-09001-4181		BOLT	2		
8	0-25000-8421		SWITCH	1		
8-1	0-0270-06602		BOLT	1		
8-2	1-47927-0940		HOLDER	1		
#2	1-23921-0130		WASHER	1		
#3	1-23921-0140		WASHER	1		FOR ADJUSTMENT
#4	1-23941-0040		INSULATE WASHER	1		
#5	0-23921-0230		WASHER	1		FOR ADJUSTMENT
※	7-09210-2880		SEAL ASSY	1		
△	7-47761-0010		MAG.SWITCH COVER ASSY	1		
□	7-47761-0030		SWITCH COVER ASSY	1		



0-23000-7424

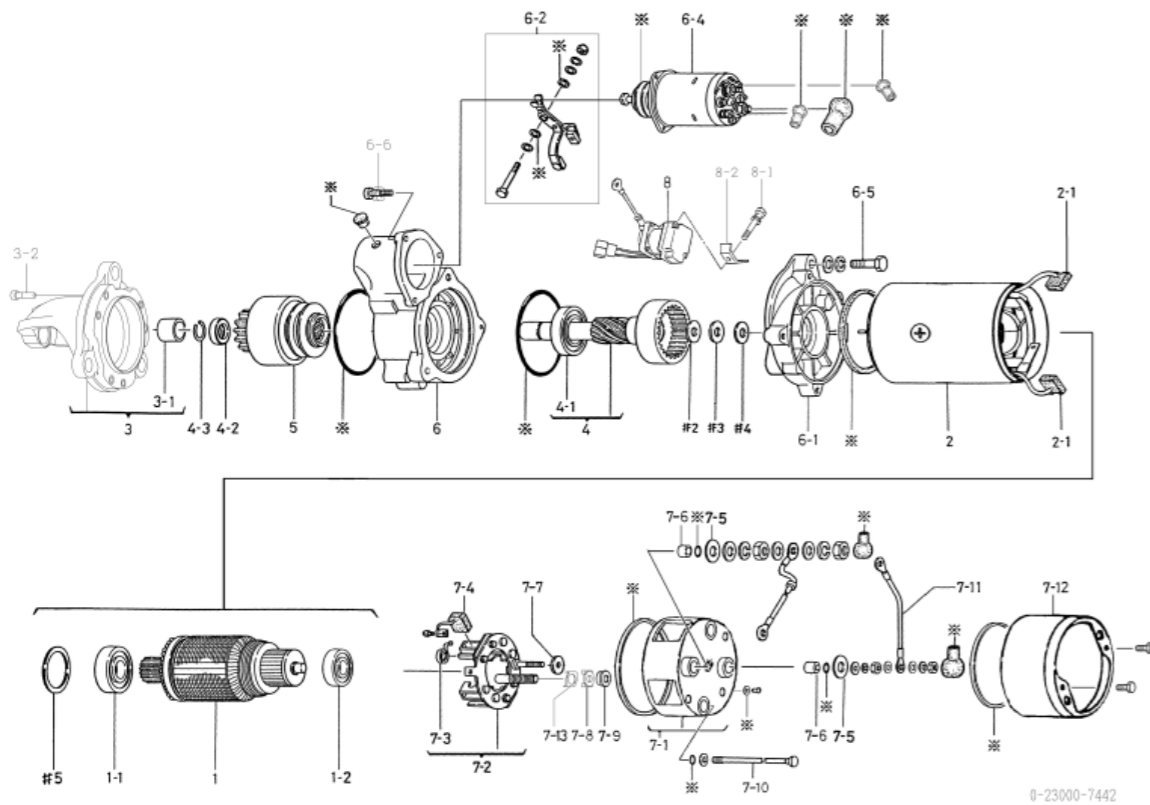
※	7-09210-2880	SEAL ASSY	
	1-0345-05001	SEAL WASHER	1
	1-0345-08001	SEAL WASHER	2
	1-23951-0050	PACKING	1
	1-09210-1040	OIL SEAL	1
	1-0505-00501	O RING	2
	1-0505-00601	O RING	2
	1-09211-0980	O RING	2
	1-09211-1120	O RING	1

0-23000-7442 STARTING MOTOR

OEM CUSTOMER	MITSUBISHI HEAVY INDUSTRY	OEM PARTS NUMBER	37766-40401
NOMINAL OUTPUT	24V 7.5Kw	SUPPLY TERM	99.02~
WEIGHT	19kg	SWITCH	SAFETY RELAY (INSTALLED ON LEFT)
ENGINE MODEL	S12R, S16R		
VEHICLE	MARINE		
OLD MODEL RECORD			
DESIGN RECORD	7440 →7441	SFR CHANGED	
	7441 →7442	ENHANCED INSULATION	
NOTE	WATER PROOF OIL PROOF φ114 2-WIRE TYPE MARINE SPECIFICATION		

0-23000-7442 STARTING MOTOR (MAKER PART NO 37766-40401)

No	Parts Number	Maker Parts No	Description	Qty	List Price	Note
1	0-23100-0441		ARMATURE CO	1		
1-1	1-0456-62047	40466-01028	BALL BEARING	1		FRONT
1-2	1-0456-62007	40566-01012	BALL BEARING	1		REAR
2	0-23200-0784		YOKE ASSY	1		INCLUDING 2-1
2-1	0-23740-0385		BRUSH CO	2		(+)
3	0-23310-1294		FRONT BRACKET CO	1		INCLUDING 3-1
3-1	7-23351-0085	40466-11025	METAL	1		FRONT
3-2	1-0240-06305	37566-00123	BOLT	6		
4	7-23120-0250	40666-10119	SHAFT ASSY	1		INCLUDING 4-1
4-1	1-0454-60067	40466-01027	BALL BEARING	1		CENTER
4-2	1-23181-0020	37566-00126	PINION STOPPER	1		
4-3	1-23914-0020	37566-00125	CLIP RING	1		
5	0-23500-0694	02350-00694	O.R.CLUTCH ASSY	1		
6	0-23611-1030		CENTER BRACKET	1		
6-1	0-23611-1110		CENTER BRACKET	1		
6-2	7-23320-0120	37566-00211	SHIFT LEVER ASSY	1		
6-4	0-47100-4002		MAG.SWITCH ASSY	1		
6-5	1-0240-08405	37566-00114	BOLT	3		
6-6	0-0274-06202	32G66-07140	BOLT	3		
7-1	0-23711-0510		REAR BRACKET	1		
7-2	0-23750-0514		BRUSH HOLDER CO	1		INCLUDING 7-3, 7-4
7-3	1-23913-0041	40466-01031	BRUSH SPRING	4		
7-4	0-23740-0385		BRUSH CO	2		(-)
7-5	1-09101-0130		INSULATE WASHER	2		
7-6	1-21944-1240	12194-41240	INSULATE TUBE	2		
7-7	1-21941-0740		INSULATE WASHER	1		
7-8	0-23943-0090		INSULATE BUSH	1		
7-9	1-09103-0170		INSULATE BUSH	1		
7-10	0-09001-4460	00900-14460	BOLT	2		THROUGH BOLT
7-11	1-21785-1080	37899-93610	LEAD WIRE CO	1		
7-12	0-23760-0030		COVER SSSY	1		
7-13	0-23922-0240		PLATE	1		
8	0-25000-7561	37766-30311	SWITCH	1		
8-1	0-0270-06602		BOLT	1		
8-2	1-47927-0940		HOLDER	1		
#2	1-23921-0130	40666-10144	WASHER	1		
#3	1-23921-0140	40666-10141	WASHER	2		FOR ADJUSTMENT
#4	1-23941-0040	40666-10145	INSULATE WASHER	1		
#5	0-09057-0110	00905-70110	WASHER	2		FOR ADJUSTMENT
※	7-09210-3190		SEAL ASSY	1		
※	7-09210-3190	SEAL ASSY				
	1-0345-05001	SEAL WASHER	1			
	1-0345-08001	SEAL WASHER	2			



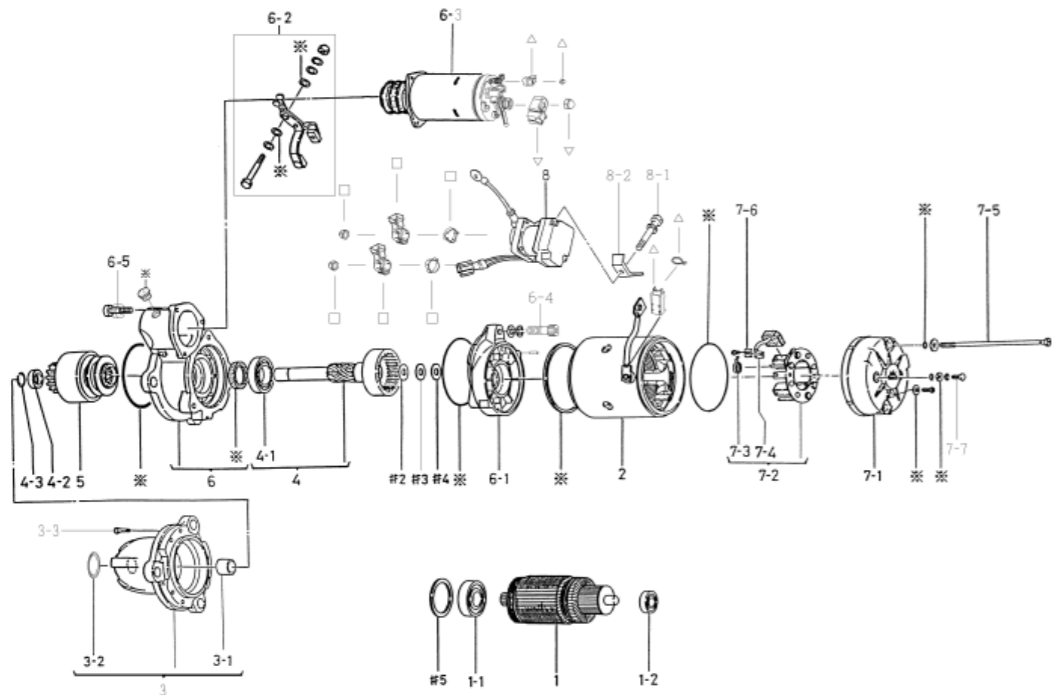
1-0505-00601	O RING	2
1-0506-01001	O RING	2
1-0507-10501	O RING	1
1-09211-0980	O RING	2
1-0507-11001	O RING	1
1-09252-0211	GUM CAP	1
1-09252-0391	GUM CAP	2
1-09252-0010	GUM CAP	1
1-23951-0050	PACKING	1
1-47953-0081	GUM BUSH	1
1-09252-0070	GUM CAP	1
1-47952-0370	GUM CAP	1

0-23000-7493 STARTING MOTOR

OEM CUSTOMER	KOMATSU	OEM PARTS NUMBER	600-813-7222
NOMINAL OUT PUT	24V 7.5Kw	SUPPLY TERM	02.06~
WEIGHT	18kg	SWITCH	SAFETY RELAY (INSTALLED ON LEFT)
ENGINE MODEL	S6D125E-2		
VEHICLE	D85A-2B		
DESIGN RECORD	7490 →7491 SAFETY RELAY CHANGED 7491 →7492 SAFETY RELAY CHANGED 7492 →7493 JUMP START PROTECTION. SFR & MAG. SWITCH CHANGED, THE PAINTING OF OUTER SURFACE WAS ABOLISHED		
NOTE	WATER PROOF OIL PROOF φ114		

0-23000-7493 STARTING MOTOR (MAKER PART NO 600-813-7222)

No	Parts Number	Maker Parts No	Description	Qty	List Price	Note
1	0-23100-0231		ARMATURE CO	1		
1-1	1-0456-62047		BALL BEARING	1		FRONT
1-2	1-0456-62007		BALL BEARING	1		REAR
2	0-23200-1120		YOKE ASSY	1		INC. 2 PCS EACH OF 7-4 & 7-6
3	0-23000-0275		F.BRACKET ASSY	1		INCLUDING 3-1, 3-2
3-1	7-23351-0085		METAL	1		FRONT
3-2	1-23761-0010		COVER	1		
3-3	1-0240-06305		BOLT	6		
4	7-23120-0090		SHAFT ASSY	1		INCLUDING 4-1
4-1	1-0456-60067		BALL BEARING	1		CENTER
4-2	1-23181-0020		PINION STOPPER	1		
4-3	1-23914-0020		CLIP RING	1		
5	1-23500-0164		O.R.CLUTSH ASSY	1		
6	0-23600-0480		CENTER BRACKET ASSY	1		INCLUDING OIL SEAL
6-1	1-23611-0080		CENTER BRACKET	1		
6-2	7-23320-0120		SHIFT LEVER CO	1		
6-3	7-47100-0260		MAG.SWITCH ASSY	1		
6-4	1-0240-08405		BOLT	3		
6-5	0-0274-06202		BOLT	3		
7-1	0-23711-0221		REAR BRACKET	1		
7-2	7-23750-0034		BRUSH HOLDER CO	1		INCLUDING 7-3, 7-4, 7-6
7-3	1-23913-0041		BRUSH SPRING	4		
7-4	1-23740-0354		BRUSH CO	4		
7-5	0-09001-4380		BOLT	2		THROUGH BOLT
7-6	1-25922-2800		PLATE	4		
7-7	0-09001-4181		BOLT	2		
8	0-25000-9240		SWITCH	1		
8-1	0-0270-06802		BOLT	1		
8-2	1-47927-0940		HOLDER	1		
#2	1-23921-0130		WASHER	1		
#3	1-23921-0140		WASHER	1		FOR ADJUSTMENT
#4	1-23941-0040		INSULATE WASHER	1		
#5	0-23921-0230		WASHER	1		FOR ADJUSTMENT
※	7-09210-2850		SEAL ASSY	1		
△	7-44761-0010		MAG.SWITCH COVER ASSY	1		
□	7-47761-0030		SWITCH COVER ASSY	1		



0-23000-7493

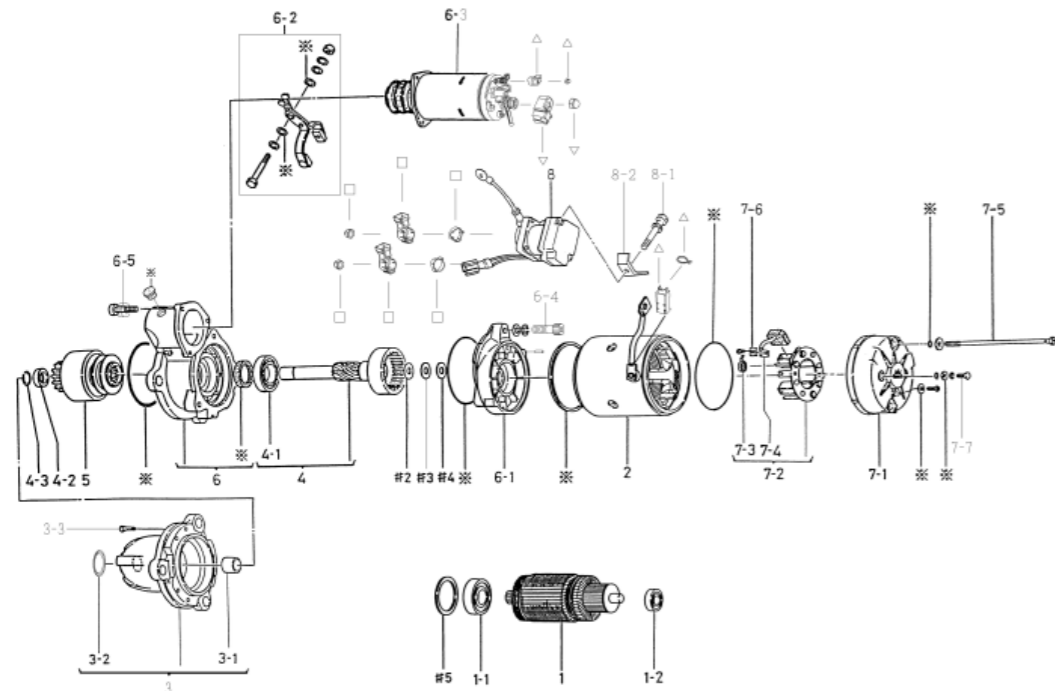
※	7-09210-2850	SEAL ASSY	
	1-0345-05001	SEAL WASHER	1
	1-0345-08001	SEAL WASHER	2
	1-23951-0050	PACKING	1
	1-09210-1060	OIL SEAL	1
	1-0505-00501	O RING	2
	1-0505-00601	O RING	2
	1-09211-0980	O RING	2
	1-09211-1120	O RING	1
	1-47953-0081	GUM BUSH	1

0-23000-7494 STARTING MOTOR

OEM CUSTOMER	KOMATSU	OEM PARTS NUMBER	600-813-7223
NOMINAL OUT PUT	24V 7.5Kw	SUPPLY TERM	15.05~
WEIGHT	18kg	SWITCH	SAFETY RELAY (INSTALLED ON LEFT)
ENGINE MODEL	S6D125E-2		
VEHICLE	D85A-2B		
DESIGN RECORD	7490 →7491	SAFETY RELAY CHANGED	
	7491 →7492	SAFETY RELAY CHANGED	
	7492 →7493	JUMP START PROTECTION. SFR & MAG. SWITCH CHANGED, THE PAINTING OF OUTER SURFACE WAS ABOLISHED	
	7493 →7494	CAUTION PLATE CHANGED	
NOTE	WATER PROOF OIL PROOF φ114		

0-23000-7494 STARTING MOTOR (MAKER PART NO 600-813-7223)

No	Parts Number	Maker Parts No	Description	Qty	List Price	Note
1	0-23100-0231		ARMATURE CO	1		
1-1	1-0456-62047		BALL BEARING	1		FRONT
1-2	1-0456-62007		BALL BEARING	1		REAR
2	0-23200-1120		YOKE ASSY	1		INC. 2 PCS EACH OF 7-4 & 7-6
3	0-23000-0275		F.BRACKET ASSY	1		INCLUDING 3-1, 3-2
3-1	7-23351-0085		METAL	1		FRONT
3-2	1-23761-0010		COVER	1		
3-3	1-0240-06305		BOLT	6		
4	7-23120-0090		SHAFT ASSY	1		INCLUDING 4-1
4-1	1-0456-60067		BALL BEARING	1		CENTER
4-2	1-23181-0020		PINION STOPPER	1		
4-3	1-23914-0020		CLIP RING	1		
5	1-23500-0164		O.R.CLUTSH ASSY	1		
6	0-23600-0480		CENTER BRACKET ASSY	1		INCLUDING OIL SEAL
6-1	1-23611-0080		CENTER BRACKET	1		
6-2	7-23320-0120		SHIFT LEVER CO	1		
6-3	7-47100-0264		MAG.SWITCH ASSY	1		
6-4	1-0240-08405		BOLT	3		
6-5	0-0274-06202		BOLT	3		
7-1	0-23711-0221		REAR BRACKET	1		
7-2	7-23750-0034		BRUSH HOLDER CO	1		INCLUDING 7-3, 7-4, 7-6
7-3	1-23913-0041		BRUSH SPRING	4		
7-4	1-23740-0354		BRUSH CO	4		
7-5	0-09001-4380		BOLT	2		THROUGH BOLT
7-6	1-25922-2800		PLATE	4		
7-7	0-09001-4181		BOLT	2		
8	0-25000-9240		SWITCH	1		
8-1	0-0270-06602		BOLT	1		
8-2	1-47927-0940		HOLDER	1		
#2	1-23921-0130		WASHER	1		
#3	1-23921-0140		WASHER	1		FOR ADJUSTMENT
#4	1-23941-0040		INSULATE WASHER	1		
#5	0-23921-0230		WASHER	1		FOR ADJUSTMENT
※	7-09210-2850		SEAL ASSY	1		
△	7-44761-0010		MAG.SWITCH COVER ASSY	1		
□	7-47761-0030		SWITCH COVER ASSY	1		



0-23000-7494

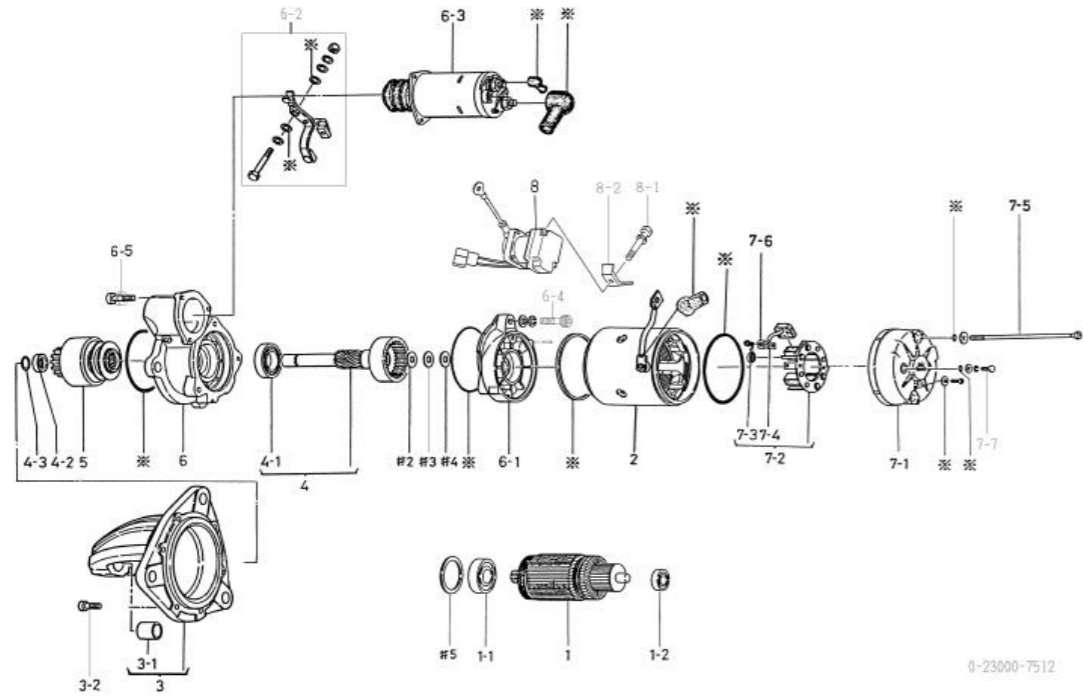
※	7-09210-2850	SEAL ASSY	
	1-0345-05001	SEAL WASHER	1
	1-0345-08001	SEAL WASHER	2
	1-23951-0050	PACKING	1
	1-09210-1060	OIL SEAL	1
	1-0505-00501	O RING	2
	1-0505-00601	O RING	2
	1-09211-0980	O RING	2
	1-09211-1120	O RING	1
	1-47953-0081	GUM BUSH	1

0-23000-7512 STARTING MOTOR

OEM CUSTOMER	MITSUBISHI HEAVY INDUSTRY	OEM PART NUMBER	35B66-20102
NOMINAL OUTPUT	24V 7.5Kw	SUPPLY TERM	08.02~
WEIGHT	18.5kg	SWITCH	SAFETY RELAY (INSTALLED ON LEFT)
ENGINE MODEL	S12H		
VEHICLE	INDUSTRY		
DESIGN RECORD	7510→7511	SFR CHANGED	
	7511→7512	INSTALLATION OF SHIFT LEVER CHANGED	
NOTE	WATER PROOF φ114		

0-23000-7521 STARTING MOTOR (MAKER PART NO 35B66-20102)

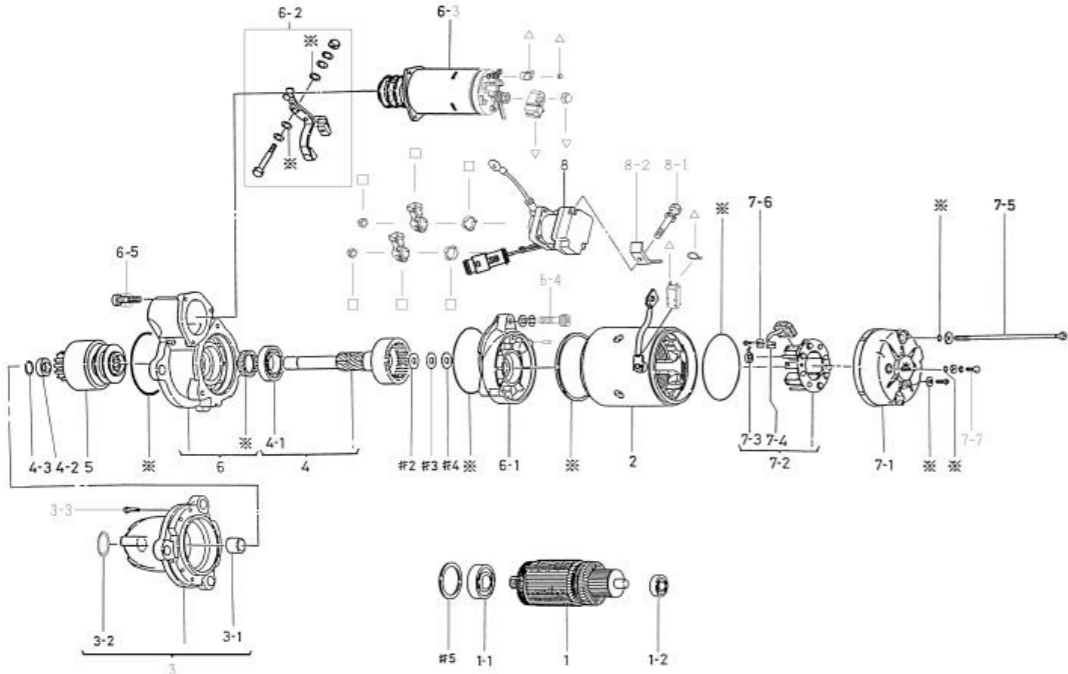
No	Parts Number	Maker Parts No	Description	Qty	List Price	Note
1	0-23100-0231	02310-00231	ARMATURE CO	1		
1-1	1-0456-62047	40466-01028	BALL BEARING	1		FRONT
1-2	1-0456-62007	40566-01012	BALL BEARING	1		REAR
2	0-23200-1120		YOKE ASSY	1		INC. 2 PCS EACH OF 7-4 & 7-6
3	0-23310-1614		FRONT BRACKET CO	1		INCLUDING 3-1
3-1	7-23351-0085	40466-11025	METAL	1		FRONT
3-2	1-0240-06305	37566-00123	BOLT	6		
4	7-23120-0090	37566-00221	SHAFT ASSY	1		INCLUDING 4-1
4-1	1-0456-60067	40466-01027	BALL BEARING	1		CENTER
4-2	1-23181-0020	40466-01021	PINION STOPPER	1		
4-3	1-23914-0020	40466-01022	CLIP RING	1		
5	0-23500-0444	07566-00127	O.R.CLUTCH ASSY	1		
6	0-23611-1035	37566-10312	CENTER BRACKET	1		
6-1	1-23611-0080	37566-00222	CENTER BRACKET	1		
6-2	7-23320-0120	37566-00211	SHIFT LEVER ASSY	1		
6-3	0-47100-3420	37566-10311	MAG.SWITCH ASSY	1		
6-4	1-0240-08405	37566-00114	BOLT	3		
6-5	0-0274-06202	32G66-07140	BOLT	3		
7-1	0-23711-0221	02371-10221	REAR BRACKET	1		
7-2	7-23750-0024	72375-00020	BRUSH HOLDER CO	1		INCL. 7-3, 7-4, 7-6
7-3	1-23913-0040	12391-30040	BRUSH SPRING	4		
7-4	0-23740-0354	02374-0354	BRUSH CO	4		
7-5	0-09001-4380	37566-00217	BOLT	2		THROUGH BOLT
7-6	1-25922-2800	12592-22800	PLATE	4		
7-7	0-09001-4181		BOLT	2		
8	0-25000-7224	32666-00311	SWITCH	1		
8-1	0-0270-06602		BOLT	1		
8-2	1-47927-0940		HOLDER	1		
#2	1-23921-0130	40666-10144	WASHER	1		
#3	1-23921-0140	40666-10141	WASHER	1		FOR ADJUSTMENT
#4	1-23941-0040	40666-10145	INSULATE WASHER	1		
#5	0-23921-0230	40666-10135	WASHER	1		FOR ADJUSTMENT
※	7-09210-1460	37566-00216	SEAL ASSY	1		



※	7-09210-1460	SEAL ASSY	
	1-0345-05001	SEAL WASHER	1
	1-0345-08001	SEAL WASHER	2
	1-0505-00501	O RING	2
	1-0505-00601	O RING	2
	1-09211-0980	O RING	2
	1-09211-1120	O RING	1
	1-09252-0211	GUM CAP	1
	1-09252-0420	GUM CAP	1
	1-09252-0430	GUM CAP	1
	1-23951-0050	PACKING	1

0-23000-7552 STARTING MOTOR

OEM CUSTOMER	KOMATSU	OEM PARTS NUMBER	600-813-3732
NOMINAL OUT PUT	24V 7.5Kw	SUPPLY TERM	02.06~
WEIGHT	18 kg	SWITCH	SAFETY RELAY (INSTALLED ON LEFT)
ENGINE MODEL	SA6D170, OTHER		
VEHICLE	PC1000-1, OTHER		
DESIGN RECORD	6521 → 6524 REAR BRACKET CHANGED (METAL→BEARING) 6524 → 7550 SAFETY RELAY CHANGED 7550 → 7551 SAFETY RELAY CHANGED 7551 → 7552 JUMP START PROTECTION, SFR AND MAG.SWITCH CHANGED		
NOTE	WATER PROOF OIL PROOF φ 114		



0-23000-7552

0-23000-7552 STARTING MOTOR (MAKER PART NO 600-813-3732)

No	Parts Number	Maker Parts No	Description	Qty	List Price	Note
1	0-23100-0231		ARMATURE CO	1		
1-1	1-0456-62047		BALL BEARING	1		FRONT
1-2	1-0456-62007		BALL BEARING	1		REAR
2	0-23200-1120		YOKE ASSY	1		INC. 2 PCS EACH OF 7-4 & 7-6
3	0-23300-0275		F. BRACKET ASSY	1		INCLUDING 3-1, 3-2
3-1	7-23351-0085		METAL	1		FRONT
3-2	1-23761-0010		COVER	1		
3-3	1-0240-06305		BOLT	6		
4	7-23120-0090		SHAFT ASSY	1		INCLUDING 4-1
4-1	1-0456-60067		BALL BEARING	1		CENTER
4-2	1-23181-0020		PINION STOPPER	1		
4-3	1-23914-0020		CLIP RING	1		
5	0-23500-0164		O.R.CLUTCH ASSY	1		
6	0-23600-0270		CENTER BRACKET ASSY	1		INCLUDING OIL SEAL
6-1	1-23611-0080		CENTER BRACKET	1		
6-2	7-23320-0120		SHIFT LEVER CO	1		
6-3	7-47100-0250		MAG.SWITCH ASSY	1		
6-4	1-0240-08405		BOLT	3		
6-5	0-0274-06202		BOLT	3		
7-1	0-23711-0221		REAR BRACKET	1		
7-2	7-23750-0024		BRUSH HOLDER CO	1		INCLUDING 7-3, 7-4, 7-6
7-3	1-23913-0040		BRUSH SPRING	4		
7-4	0-23740-0354		BRUSH CO	4		
7-5	0-09001-4380		BOLT	2		THROUGH BOLT
7-6	1-25922-2800		PLATE	4		
7-7	0-09001-4181		BOLT	2		
8	0-25000-6833		SWITCH	1		
8-1	0-0270-06602		BOLT	1		
8-2	1-47927-0940		HOLDER	1		
#2	1-23921-0130		WASHER	1		
#3	1-23921-0140		WASHER	1		FOR ADJUSTMENT
#4	1-23941-0040		INSULATE WASHER	1		
#5	0-23921-0230		WASHER	1		FOR ADJUSTMENT
※	7-09210-2870		SEAL ASSY	1		
△	7-47761-0010		MAG.SWITCH COVER ASSY	1		
□	7-47761-0030		SWITCH COVER ASSY	1		

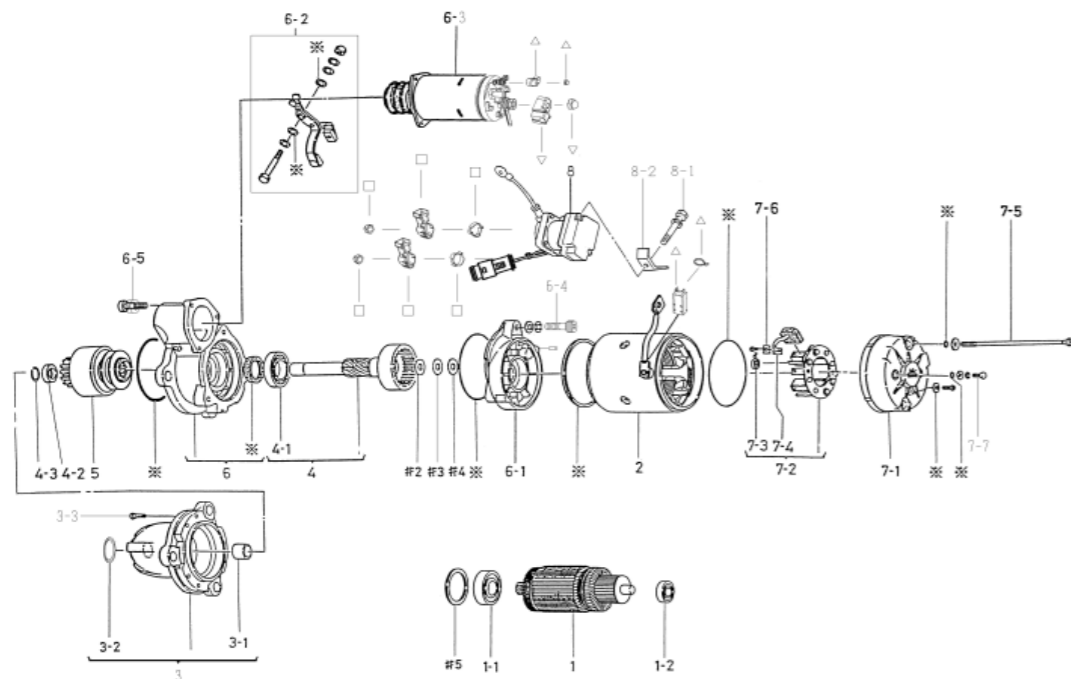
7-09210-2870	SEAL ASSY	
1-0345-05001	SEAL WASHER	1
1-0345-08001	SEAL WASHER	2
1-23951-0051	PACKING	1
1-09210-1060	OIL SEAL	1
1-0505-00501	O RING	2
1-0505-00601	O RING	2
1-09211-0981	O RING	2
1-09211-1120	O RING	1

0-23000-7555 STARTING MOTOR

OEM CUSTOMER	KOMATSU	OEM PARTS NUMBER	600-813-3733
NOMINAL OUT PUT	24V 7.5Kw	SUPPLY TERM	15.05~
WEIGHT	18 kg	SWITCH	SAFETY RELAY (INSTALLED ON LEFT)
ENGINE MODEL	SA6D170, OTHERS		
VEHICLE	PC1000-1, OTHERS		
DESIGN RECORD	6521 → 6524 REAR BRACKET CHANGED (METAL→BEARING) 6524 → 7550 SAFETY RELAY CHANGED 7550 → 7551 SAFETY RELAY CHANGED 7551 → 7552 JUMP START PROTECTION, SFR AND MAG.SWITCH CHANGED 7552 → 7555 CAUTION PLATE CHANGED		
NOTE	WATER PROOF OIL PROOF φ114		

0-23000-7555 STARTING MOTOR (MAKER PART NO 600-813-3733)

No	Parts Number	Maker Parts No	Description	Qty	List Price	Note
1	0-23100-0231		ARMATURE CO	1		
1-1	1-0456-62047		BALL BEARING	1		FRONT
1-2	1-0456-62007		BALL BEARING	1		REAR
2	0-23200-1120		YOKE ASSY	1		INC. 2 PCS EACH OF 7-4 & 7-6
3	0-23300-0275		F. BRACKET ASSY	1		INCLUDING 3-1, 3-2
3-1	7-23351-0085		METAL	1		FRONT
3-2	1-23761-0010		COVER	1		
3-3	1-0240-06305		BOLT	6		
4	7-23120-0090		SHAFT ASSY	1		INCLUDING 4-1
4-1	1-0456-60067		BALL BEARING	1		CENTER
4-2	1-23181-0020		PINION STOPPER	1		
4-3	1-23914-0020		CLIP RING	1		
5	0-23500-0164		O.R.CLUTCH ASSY	1		
6	0-23600-0270		CENTER BRACKET ASSY	1		INCLUDING OIL SEAL
6-1	1-23611-0080		CENTER BRACKET	1		
6-2	7-23320-0120		SHIFT LEVER CO	1		
6-3	7-47100-0254		MAG.SWITCH ASSY	1		
6-4	1-0240-08405		BOLT	3		
6-5	0-0274-06202		BOLT	3		
7-1	0-23711-0221		REAR BRACKET	1		
7-2	7-23750-0024		BRUSH HOLDER CO	1		INCLUDING 7-3, 7-4, 7-6
7-3	1-23913-0040		BRUSH SPRING	4		
7-4	0-23740-0354		BRUSH CO	4		
7-5	0-09001-4380		BOLT	2		THROUGH BOLT
7-6	1-25922-2800		PLATE	4		
7-7	0-09001-4181		BOLT	2		
8	0-25000-6833		SWITCH	1		
8-1	0-0270-06602		BOLT	1		
8-2	1-47927-0940		HOLDER	1		
#2	1-23921-0130		WASHER	1		
#3	1-23921-0140		WASHER	1		FOR ADJUSTMENT
#4	1-23941-0040		INSULATE WASHER	1		
#5	0-23921-0230		WASHER	1		FOR ADJUSTMENT
※	7-09210-2870		SEAL ASSY	1		
△	7-47761-0010		MAG.SWITCH COVER ASSY	1		
□	7-47761-0030		SWITCH COVER ASSY	1		

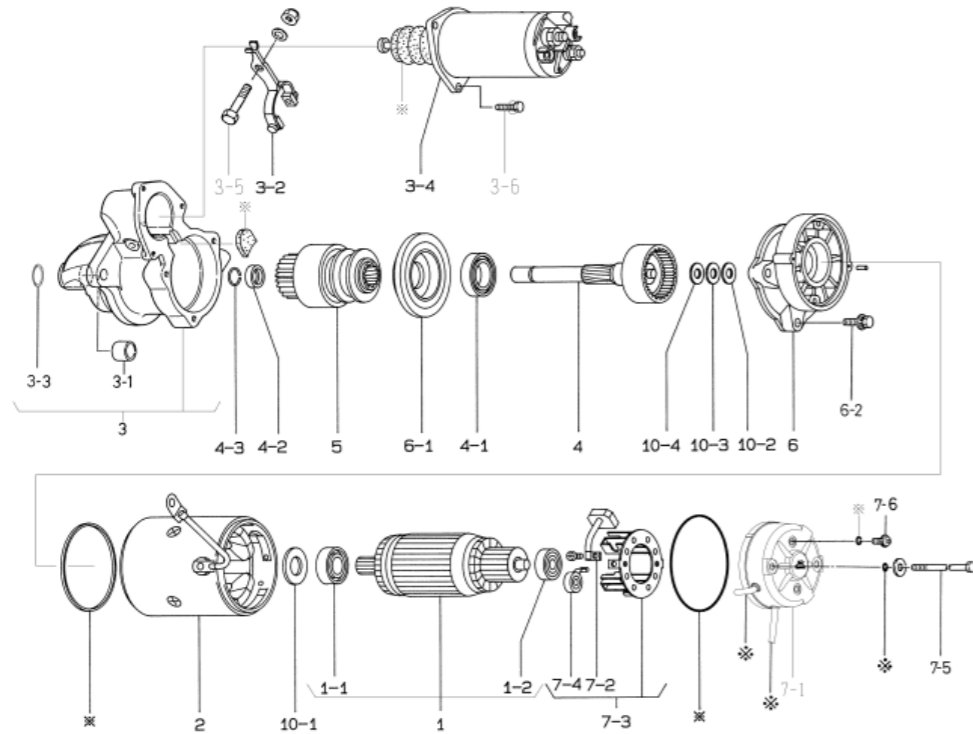


0-23000-7555

7-09210-2870	SEAL ASSY	
1-0345-05001	SEAL WASHER	1
1-0345-08001	SEAL WASHER	2
1-23951-0051	PACKING	1
1-09210-1060	OIL SEAL	1
1-0505-00501	O RING	2
1-0505-00601	O RING	2
1-09211-0981	O RING	2
1-09211-1120	O RING	1

0-23000-7611 STARTING MOTOR

OEM CUSTOMER	ISUZU	OEM PARTS NUMBER	1-81100325-2
NOMINAL OUT PUT	24V 6Kw	SUPPLY TERM	02.08~
WEIGHT	15.6kg	SWITCH	STARTER RELAY (OPTIONAL)
ENGINE MODEL	6W, OTHER		
VEHICLE	CV, CX, EX, OTHER		
DESIGN RECORD	7320 → 7321	F.BRACKET CHANGED	
	7321 → 7322	DRAIN HOSE CHANGED	
	7322 → 7610	CR (Cost Reduction)	
	7610 → 7611	R.BRACKET CHANGED	
NOTE	DRIP PROOF φ114		



0-23000-7611

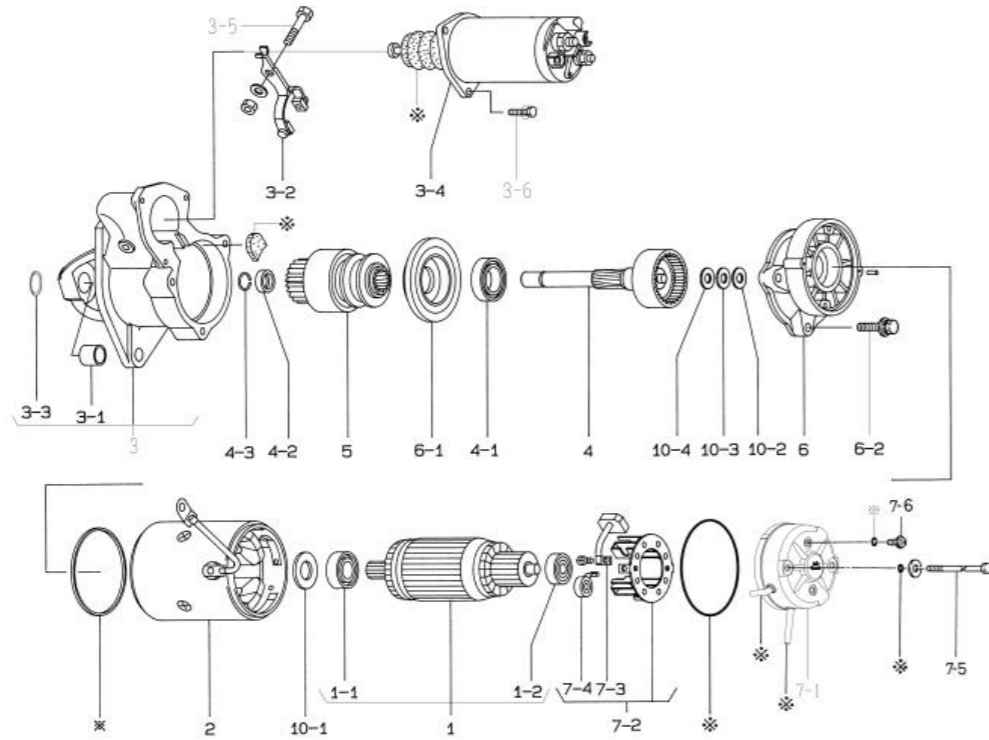
0-23000-7611 STARTING MOTOR (MAKER PART NO 1-81100325-2)

No	Parts Number	Maker Parts No	Description	Qty	List Price	Note
1	7-23100-0420		ARMATURE ASSY	1		INCLUDING 1-1, 1-2
1-1	1-0456-62047	1-81129294-0	BALL BEARING	1		FRONT
1-2	1-0456-62007	1-81129196-0	BALL BEARING	1		REAR
2	0-23200-0577	1-81129695-0	YOKE ASSY	1		INCLUDING 2 PCS OF 7-2
3	0-23310-1425		FRONT BRACKET CO	1		INCLUDING 3-1, 3-3
3-1	7-23351-0264		METAL	1		FRONT
3-2	1-23320-0100	1-81127040-0	SHIFT LEVER CO	1		
3-3	1-23761-0010	1-81129305-0	COVER	1		
3-4	0-47100-4610	1-81129810-0	MAG.SWITCH ASSY	1		
3-5	0-23303-0010	1-81129185-0	LEVER PIN	1		
3-6	0-09001-4840	1-81129603-0	BOLT	3		
4	0-23120-0140	1-81123047-0	SHAFT CO	1		
4-1	0-09201-0850	1-81129658-0	BALL BEARING	1		CENTER
4-2	1-23181-0020	1-81129190-0	PINION STOPPER	1		
4-3	1-23914-0020	1-81129189-0	CLIP RING	1		
5	0-23500-0775		O.R. CLUTCH ASSY	1		
6	0-23611-0960	1-81129660-0	CENTER BRACKET	1		
6-1	1-23611-0071	1-81113084-0	CENTER BRACKET	1		
6-2	0-09001-5400	1-81129811-0	BOLT	3		
7-1	0-23710-0260	1-81129941-0	REAR BRACKET CO	1		
7-2	0-23740-0354	8-98155018-0	BRUSH CO	4		
7-3	7-23750-0150	1-81129736-0	BRUSH HOLDER CO	1		INCLUDING 7-2, 7-4
7-4	1-23913-0040	1-81117016-0	BRUSH SPRING	4		
7-5	0-09001-4380	1-81129665-0	BOLT	2		THROUGH BOLT
7-6	0-09011-3140	1-81129641-0	SCREW	2		
10-1	0-09057-0140	1-81129592-0	WASHER	1		FOR ADJUSTMENT
10-2	1-23941-0040	1-81129295-0	INSULATE WASHER	1		
10-3	1-23921-0140	5-81129159-0	WASHER	1		FOR ADJUSTMENT
10-4	1-23921-0130	5-81129160-0	WASHER	1		
※	7-09210-2700	1-81129944-0	SEAL ASSY	1		

※	7-09210-2700	SEAL ASSY		
	0-23952-0030	GUM CAP	1	
	0-24952-0020	GUM CAP	1	
	0-47952-0372	GUM CAP	1	
	1-09211-0081	O RING	4	
	1-09211-0380	O RING	1	
	1-09211-0520	O RING	2	
	1-09211-1120	O RING	1	
	1-23951-0050	PACKING	1	
	1-23951-0120	PACKING	1	

0-23000-7621 STARTING MOTOR

OEM CUSTOMER	ISUZU	OEM PARTS NUMBER	1-81100334-1
NOMINAL OUT PUT	24V 6Kw	SUPPLY TERM	02.08~
WEIGHT	15.1kg	SWITCH	STARTER RELAY (OPTIONAL)
ENGINE MODEL	8P, 10P, OTHERS		
VEHICLE	CV, CX, CY, OTHERS		
DESIGN RECORD	7410 → 7412 DRAIN HOSE CHANGED 7412 → 7620 CR (Cost Reduction) 7620 → 7621 REAR BRACKET CHANGED		
NOTE	DRIP PROOF φ114		



0-23000-7621

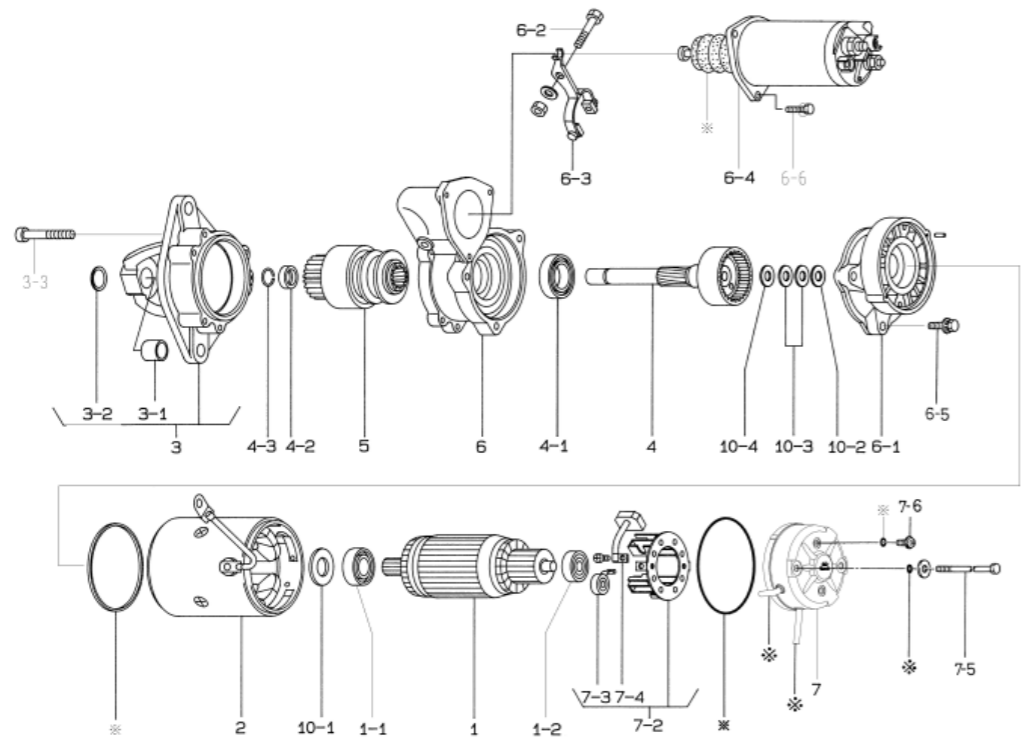
0-23000-7621 STARTING MOTOR (MAKER PART NO 1-81100334-1)

No	Parts Number	Maker Parts No	Description	Qty	List Price	Note
1	7-23100-0420		ARMATURE ASSY	1		INCLUDING 1-1, 1-2
1-1	1-0456-62047	1-81129294-0	BALL BEARING	1		FRONT
1-2	1-0456-62007	1-81129196-0	BALL BEARING	1		REAR
2	0-23200-0571	1-81129695-0	YOKE ASSY	1		INCLUDING 2 PCS OF 7-3
3	0-23310-1536		FRONT BRACKET CO	1		INCLUDING 3-1, 3-3
3-1	7-23351-0264		METAL	1		FRONT
3-2	1-23320-0100	1-81127040-0	SHIFT LEVER CO	1		
3-3	1-23761-0010	1-81129305-0	COVER	1		
3-4	0-47100-4610	1-81129810-0	MAG.SWITCH ASSY	1		
3-5	0-23303-0010	1-81129185-0	LEVER PIN	1		
3-6	0-09001-4840	1-81129603-0	BOLT	3		
4	0-23120-0140	1-81123047-0	SHAFT CO	1		
4-1	0-09201-0850	1-81129658-0	BALL BEARING	1		CENTER
4-2	1-23181-0020	1-81129190-0	PINION STOPPER	1		
4-3	1-23914-0020	1-81129189-0	CLIP RING	1		
5	0-23500-0875		O.R.CLUTCH ASSY	1		
6	0-23611-0960	1-81129660-0	CENTER BRACKET	1		
6-1	1-23611-0071	1-81113084-0	CENTER BRACKET	1		
6-2	0-09001-5400	1-81129811-0	BOLT	3		
7-1	0-23710-0270	1-81129942-0	REAR BRACKET CO	1		
7-2	7-23750-0150	8-98155018-0	BRUSH HOLDER CO	1		INCLUDING 7-3, 7-4
7-3	0-23740-0351	1-81129736-0	BRUSH CO	4		
7-4	1-23913-0040	1-81117016-0	BRUSH SPRING	4		
7-5	0-09001-4380	1-81129665-0	BOLT	2		THROUGH BOLT
7-6	0-09011-3140	1-81129641-0	SCREW	2		
10-1	0-09057-0140	1-81129592-0	WASHER	1		FOR ADJUSTMENT
10-2	1-23941-0040	1-81129295-0	INSULATE WASHER	1		
10-3	1-23921-0140	5-81129159-0	WASHER	1		FOR ADJUSTMENT
10-4	1-23921-0130	5-81129160-0	WASHER	1		
※	7-09210-2700	1-81129944-0	SEAL ASSY	1		

※	7-09210-2700	SEAL ASSY		
	0-23952-0030	GUM CAP	1	
	0-24952-0020	GUM CAP	1	
	0-47952-0372	GUM CAP	1	
	1-09211-0081	O RING	4	
	1-09211-0380	O RING	1	
	1-09211-0520	O RING	2	
	1-09211-1120	O RING	1	
	1-23951-0050	PACKING	1	
	1-23951-0120	PACKING	1	

0-23000-7631 STARTING MOTOR

OEM CUSTOMER	ISUZU	OEM PARTS NUMBER	1-81100335-1
NOMINAL OUT PUT	24V 8Kw	SUPPLY TERM	02.08~
WEIGHT	18.4 kg	SWITCH	STARTER RELAY (OPTIONAL)
ENGINE MODEL	12P, OTHERS		
VEHICLE	CV, CX, EX, OTHERS		
DESIGN RECORD	7630 → 7631 REAR BRACKET CHANGED		
NOTE	DRIP PROOF φ114 CR (Cost Reduction) MODEL FOR 0-23000-7401		



0-23000-7631

0-23000-7631 STARTING MOTOR (MAKER PART NO 1-81100335-1)

No	Parts Number	Maker Parts No	Description	Qty	List Price	Note
1	0-23100-0261	1-81129684-0	ARMATURE CO	1		
1-1	1-0456-62057	1-81229285-0	BALL BEARING	1		FRONT
1-2	1-0456-62007	1-81129196-0	BALL BEARING	1		REAR
2	0-23200-0607		YOKE ASSY	1		INCLUDING 2 PCS OF 7-4
3	0-23310-1525		FRONT BRACKET CO	1		INCLUDING 3-1, 3-2
3-1	7-23351-0264		METAL	1		FRONT
3-2	1-23761-0010	1-81129305-0	COVER	1		
3-3	1-0240-06505	1-81129542-0	BOLT	6		
4	1-23111-0161	1-81123043-0	SHAFT	1		
4-1	0-09201-0850	1-81129658-0	BALL BEARING	1		CENTER
4-2	1-23181-0020	1-81129190-0	PINION STOPPER	1		
4-3	1-23914-0020	1-81129189-0	CLIP RING	1		
5	0-23500-0865		O.R.CLUTCH ASSY	1		
6	0-23611-0980	1-81129690-0	CENTER BRACKET	1		
6-1	0-23611-0720	1-81113100-0	CENTER BRACKET	1		
6-2	0-23303-0010	1-81129185-0	LEVER PIN	1		
6-3	1-23320-0190	1-81127035-0	SHIFT LEVER CO	1		
6-4	0-47100-4620	1-81129813-0	MAG.SWITCH ASSY	1		
6-5	1-0240-08405	1-81129293-0	BOLT	3		
6-6	0-09001-4840	1-81129603-0	BOLT	3		
7	0-23710-0270	1-81129942-0	R.BRACKET CO	1		
7-2	7-23750-0150	1-81129736-0	BRUSH HOLDER CO	1		INCLUDING 7-3, 7-4
7-3	1-23913-0040	1-81117016-0	BRUSH SPRING	4		
7-4	0-23740-0354	8-98155018-0	BRUSH CO	4		
7-5	0-09001-4460	1-81129537-0	BOLT	2		THROUGH BOLT
7-6	0-09011-3140	1-81129641-0	SCREW	2		
10-1	0-09057-0110	1-81129540-0	WASHER	1		
10-2	1-23941-0040	1-81129295-0	INSULATE WASHER	1		
10-3	1-23921-0140	5-81129159-0	WASHER	2		
10-4	1-23921-0130	5-81129160-0	WASHER	1		
※	7-09210-3210		SEAL ASSY	1		

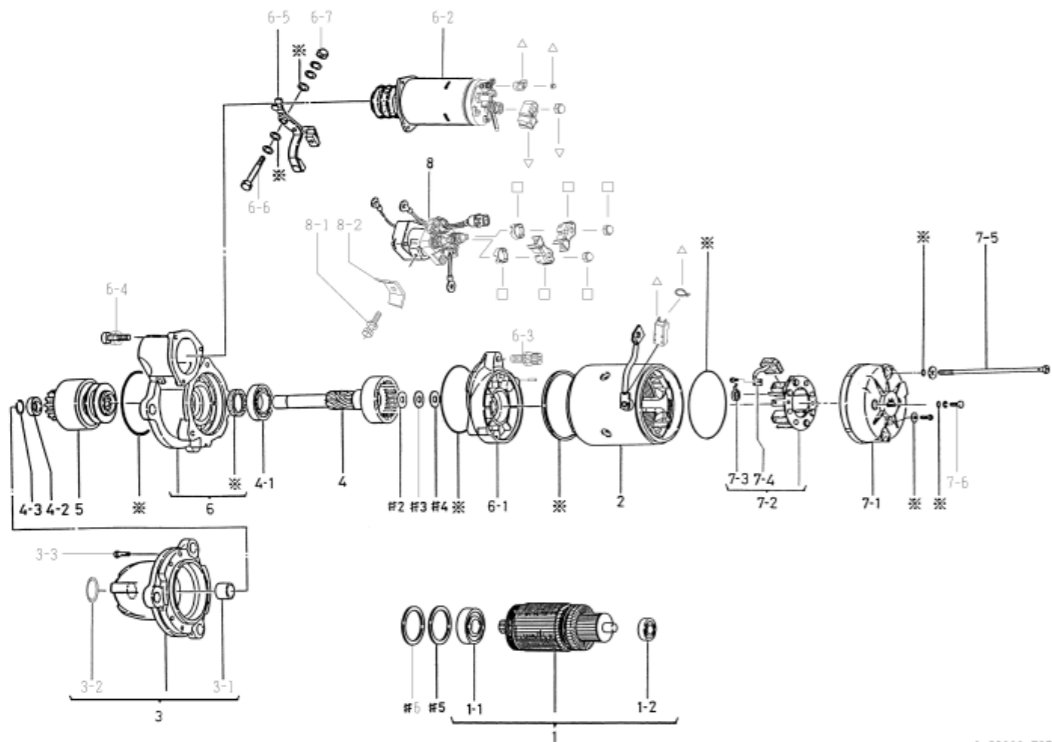
7-09210-3210	SEAL ASSY	
0-23952-0030	GUM CAP	1
0-24952-0020	GUM CAP	1
1-47952-0372	GUM CAP	1
1-09211-0081	O RING	4
1-09211-0380	O RING	1
1-09211-0520	O RING	2
1-09211-1120	O RING	1
1-23951-0050	PACKING	1

0-23000-7672 STARTING MOTOR

OEM CUSTOMER	KOMATSU	OEM PARTS NUMBER	600-813-9312
NOMINAL OUT PUT	24V 11Kw	SUPPLY TERM	02.06~
WEIGHT	18 kg	SWITCH	SAFETY RELAY (INSTALLED ON RIGHT)
ENGINE MODEL	SAA6D140E-2, OTHERS		
VEHICLE	HV3000-1, HV6000-1, OTHERS		
DESIGN RECORD	7670 → 7671 SFR CHANGED 7671 → 7672 JUMP START PROTECTION, SFR AND MAG.SWITCH CHANGED		
NOTE	WATER PROOF OIL PROOF φ114		

0-23000-7672 STARTING MOTOR (MAKER PART NO 600-813-9312)

No	Parts Number	Maker Parts No	Description	Qty	List Price	Note
1	0-23100-0430		ARMATURE CO	1		INCLUDING 1-1, 1-2
1-1	1-0456-62057		BALL BEARING	1		FRONT
1-2	1-0456-62017		BALL BEARING	1		REAR
2	0-23200-0672		YOKE ASSY	1		INCLUDING 2 PCS OF 7-4
3	0-23300-1675		FRONT BRACKET CO	1		INCLUDING 3-1, 3-2
3-1	7-23351-0085		METAL	1		FRONT
3-2	1-23761-0010		COVER	1		
3-3	1-0240-06305		BOLT	6		
4	0-23120-0180		SHAFT CO	1		
4-1	0-09201-0850		BALL BEARING	1		CENTER
4-2	1-23181-0020		PINION STOPPER	1		
4-3	1-23914-0020		CLIP RING	1		
5	0-23500-0974		O.R.CLUTCH ASSY	1		
6	0-23600-0410		CENTER BRACKET ASSY	1		INCLUDING OIL SEAL
6-1	0-23611-1102		CENTER BRACKET	1		
6-2	7-47100-0270		MAG. SWITCH ASSY	1		
6-3	0-0276-08402		BOLT	3		
6-4	0-0274-06202		BOLT	3		
6-5	0-23302-0290		SHIFT LEVER CO	1		
6-6	0-23303-0020		LEVER PIN	1		
6-7	1-09279-0090		NUT	1		
7-1	0-23710-0221		REAR BRACKET CO	1		
7-2	7-23750-0150		BRUSH HOLDER CO	1		INCLUDING 7-3, 7-4
7-3	1-23913-0040		BRUSH SPRING	4		
7-4	0-23740-0354		BRUSH CO	4		
7-5	0-09001-4380		BOLT	2		THROUGH BOLT
7-6	0-09011-3140		SCREW	2		
8	0-25000-8412		SWITCH	1		
8-1	0-0270-06602		BOLT	1		
8-2	0-47927-1390		HOLDER	1		
#2	1-23921-0130		WASHER	1		
#3	1-23921-0140		WASHER	1		FOR ADJUSTMENT
#4	1-23941-0040		INSULATE WASHER	1		
#5	0-09057-0110		WASHER	1		FOR ADJUSTMENT
#6	0-09057-0190		WASHER	1		
※	7-09210-2910		SEAL ASSY	1		
△	7-47761-0010		MAG. SWITCH COVER ASSY	1		
□	7-47761-0030		SWITCH COVER ASSY	1		



0-23000-7672

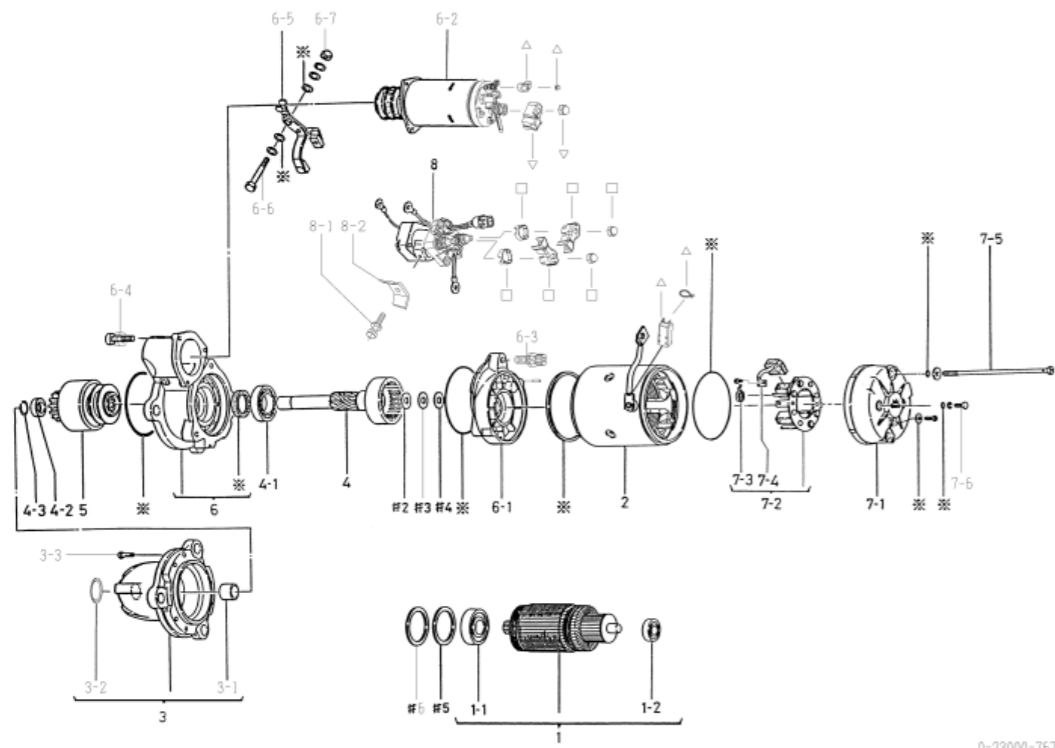
※	7-09210-2910	SEAL ASSY	
	1-0345-05001	SEAL WASHER	1
	1-0345-08001	SEAL WASHER	2
	1-23951-0051	PACKING	1
	1-09210-1060	OIL SEAL	1
	1-09211-0081	O RING	4
	1-09211-0981	O RING	2
	1-09211-1120	O RING	1

0-23000-7678 STARTING MOTOR

OEM CUSTOMER	KOMATSU	OEM PARTS NUMBER	600-813-9313
NOMINAL OUT PUT	24V 11Kw	SUPPLY TERM	15.05~
WEIGHT	18 kg	SWITCH	SAFETY RELAY (INSTALLED ON RIGHT)
ENGINE MODEL	SAA6D140E-2, OTHERS		
VEHICLE	HV3000-1, HV6000-1, OTHERS		
DESIGN RECORD	7670 → 7671 SAFETY RELAY CHANGED 7671 → 7672 JUMP START PROTECTION, SFR AND MAG.SWITCH CHANGED 7672 → 7678 CAUTION PLATE CHANGED		
NOTE	WATER PROOF OIL PROOF φ114		

0-23000-7678 STARTING MOTOR (MAKER PART NO 600-813-9313)

No	Parts Number	Maker Parts No	Description	Qty	List Price	Note
1	0-23100-0430		ARMATURE CO	1		INCLUDING 1-1, 1-2
1-1	1-0456-62057		BALL BEARING	1		FRONT
1-2	1-0456-62017		BALL BEARING	1		REAR
2	0-23200-0672		YOKE ASSY	1		INCLUDING 2 PCS OF 7-4
3	0-23300-1675		FRONT BRACKET CO	1		INCLUDING 3-1, 3-2
3-1	7-23351-0085		METAL	1		FRONT
3-2	1-23761-0010		COVER	1		
3-3	1-0240-06305		BOLT	6		
4	0-23120-0180		SHAFT CO	1		
4-1	0-09201-0850		BALL BEARING	1		CENTER
4-2	1-23181-0020		PINION STOPPER	1		
4-3	1-23914-0020		CLIP RING	1		
5	0-23500-0974		O.R.CLUTCH ASSY	1		
6	0-23600-0410		CENTER BRACKET ASSY	1		INCLUDING OIL SEAL
6-1	0-23611-1102		CENTER BRACKET	1		
6-2	7-47100-0274		MAG. SWITCH ASSY	1		
6-3	0-0276-08402		BOLT	3		
6-4	0-0274-06202		BOLT	3		
6-5	0-23302-0290		SHIFT LEVER CO	1		
6-6	0-23303-0020		LEVER PIN	1		
6-7	1-09279-0090		NUT	1		
7-1	0-23710-0221		REAR BRACKET CO	1		
7-2	7-23750-0150		BRUSH HOLDER CO	1		INCLUDING 7-3, 7-4
7-3	1-23913-0040		BRUSH SPRING	4		
7-4	0-23740-0354		BRUSH CO	4		
7-5	0-09001-4380		BOLT	2		THROUGH BOLT
7-6	0-09011-3140		SCREW	2		
8	0-25000-8412		SWITCH	1		
8-1	0-0270-06602		BOLT	1		
8-2	0-47927-1390		HOLDER	1		
#2	1-23921-0130		WASHER	1		
#3	1-23921-0140		WASHER	1		FOR ADJUSTMENT
#4	1-23941-0040		INSULATE WASHER	1		
#5	0-09057-0110		WASHER	1		FOR ADJUSTMENT
#6	0-09057-0190		WASHER	1		
※	7-09210-2910		SEAL ASSY	1		
△	7-47761-0010		MAG. SWITCH COVER ASSY	1		
□	7-47761-0030		SWITCH COVER ASSY	1		



0-23000-7678

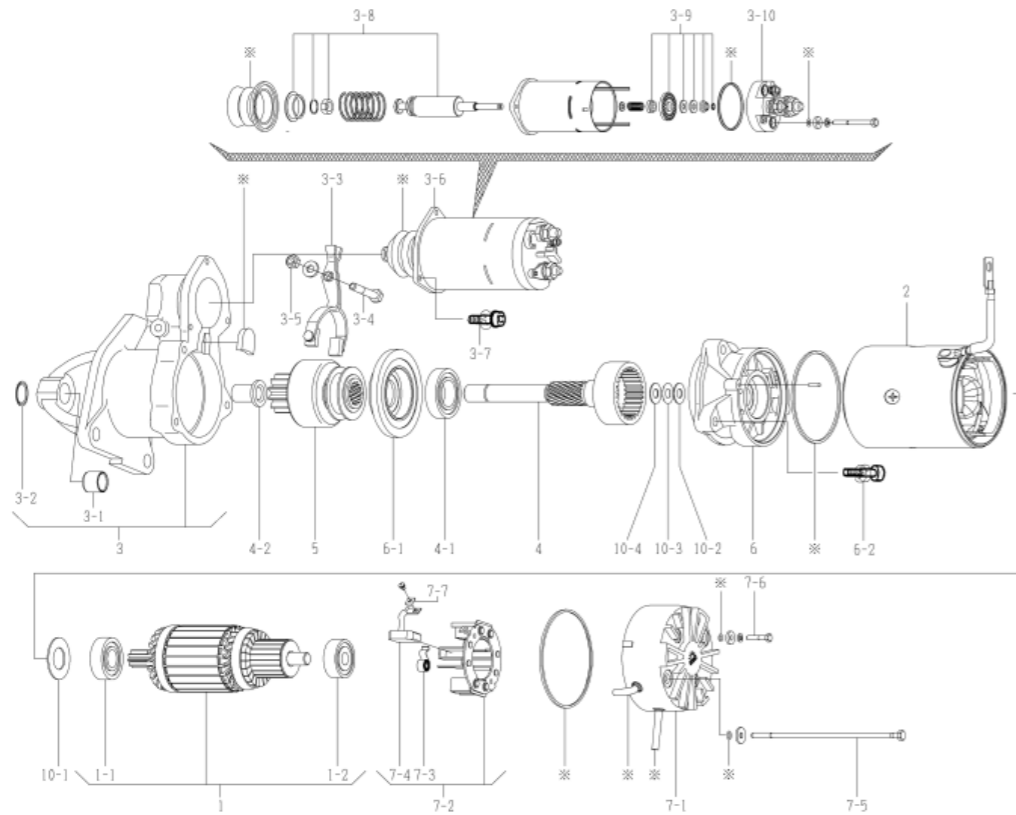
※	7-09210-2910	SEAL ASSY	
	1-0345-05001	SEAL WASHER	1
	1-0345-08001	SEAL WASHER	2
	1-23951-0051	PACKING	1
	1-09210-1060	OIL SEAL	1
	1-09211-0081	O RING	4
	1-09211-0981	O RING	2
	1-09211-1120	O RING	1

0-23000-7703 STARTING MOTOR

OEM CUSTOMER	ISUZU	OEM PARTS NUMBER	1-81100419-1
NOMINAL OUT PUT	24V 7.4Kw	SUPPLY TERM	02.08~
WEIGHT	16.2 kg	SWITCH	SAFETY RELAY (OPTIONAL)
ENGINE MODEL	8PE1, OTHERS		
VEHICLE	LV, LV280, LV380, OTHERS		
DESIGN RECORD	7471 → 7472	BRUSH CHANGED	
	7472 → 7473	ANGLE OF MAG. SWITCH TERMINAL CHANGED	
	7473 → 7702	GREASE AND METAL CHANGED	
	7702 → 7703	REAR BRACKET CHANGED	
NOTE	DRIP PROOF φ114 IDLING STOP TYPE		

0-23000-7703 STARTING MOTOR (MAKER PART NO 1-81100419-1)

No	Parts Number	Maker Parts No	Description	Qty	List Price	Note
1	7-23100-0420		ARMATURE CO	1		INCLUDING 1-1, 1-2
1-1	1-0456-62047	1-81129294-0	BALL BEARING	1		FRONT
1-2	1-0456-62007	1-81129196-0	BALL BEARING	1		REAR
2	0-23200-0395		YOKE ASSY	1		INC. 2 PCS EACH OF 7-3 & 7-4
3	0-23310-1537		FRONT BRACKET CO	1		INCLUDING 3-1, 3-2
3-1	7-23351-0267		METAL	1		FRONT
3-2	1-23761-0010	1-81129305-0	COVER	1		
3-3	0-23320-0300		SHIFT LEVER CO	1		
3-4	0-23303-0010	1-81129185-0	LEVER PIN	1		
3-5	1-09279-0090	1-81129184-0	NUT	1		
3-6	0-47100-4540	1-81129835-0	MAG. SWITCH ASSY	1		
3-7	0-09001-4840	1-81129603-0	BOLT	3		
3-8	7-47120-0020	1-81129747-0	PLUNGER ASSY	1		
3-9	7-47150-0010	1-81129749-0	M.CONTACTOR ASSY	1		
3-10	0-47780-0941	1-81129751-0	TERMINAL ASSY	1		
4	0-23120-0160	1-81123051-0	SHAFT CO	1		
4-1	0-09201-0850	1-81129658-0	BALL BEARING	1		CENTER
4-2	0-23181-0070	1-81129589-0	PINION STOPPER	1		
5	0-23500-0904	1-81129720-0	O.R.CLUTCH ASSY	1		
6	0-23611-0960	1-81129660-0	CENTER BRACKET	1		
6-1	1-23611-0071	1-81113084-0	CENTER BRACKET	1		
6-2	0-0276-08402	1-81129661-0	BOLT	3		
7-1	0-23710-0280	1-81129943-0	REAR BRACKET CO	1		
7-2	7-23750-0214		BRUSH HOLDER CO	1		INCLUDING 7-3, 7-4, 7-7
7-3	0-23913-0100	1-81117028-0	BRUSH SPRING	4		
7-4	0-23740-0266	1-81116065-0	BRUSH CO	4		
7-5	0-09001-4380	1-81129665-0	BOLT	2		THROUGH BOLT
7-6	0-09001-4181	1-81129619-0	BOLT	2		
7-7	1-25922-2800		PLATE	4		
10-1	0-09057-0140	1-81129592-0	WASHER	1		FOR ADJUSTMENT
10-2	1-23921-0130	5-81129160-0	WASHER	1		
10-3	1-23921-0140	5-81129159-0	WASHER	1		FOR ADJUSTMENT
10-4	1-23941-0040	1-81129295-0	INSULATE WASHER	1		
※	7-09210-2710		SEAL ASSY	1		

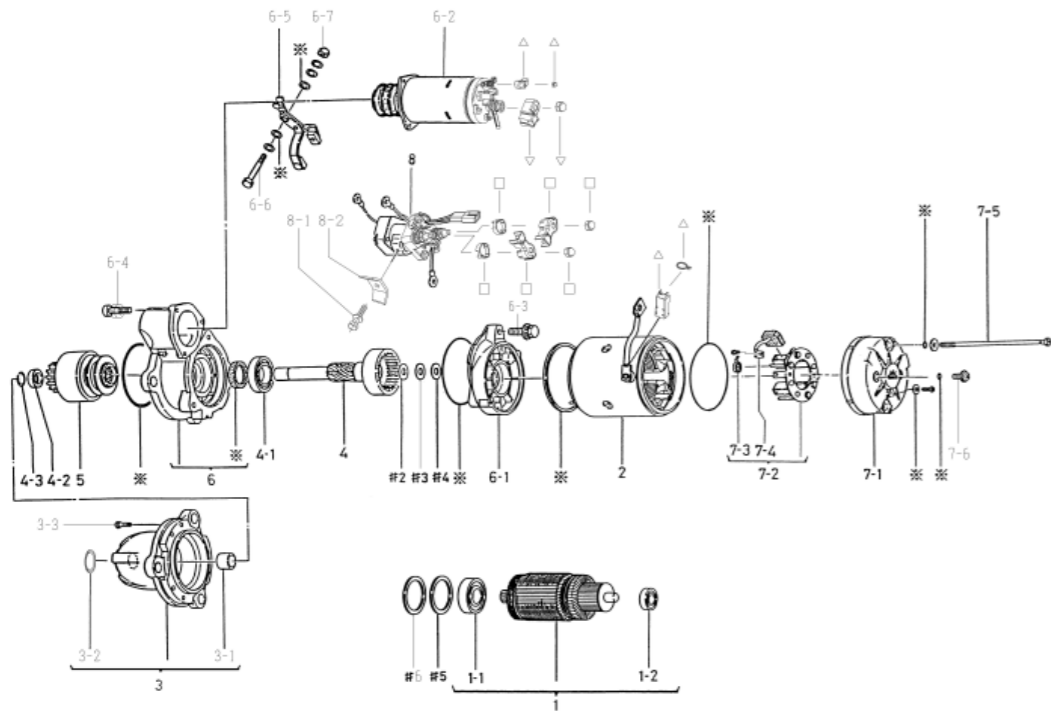


0-23000-7703

7-09210-2710	SEAL ASSY	
0-23952-0030	GUM CAP	1
0-24952-0020	GUM CAP	1
1-47952-0371	GUM CAP	1
1-0505-00501	O RING	2
1-0505-00601	O RING	2
1-09211-0520	O RING	2
1-09211-0571	O RING	1
1-09211-1120	O RING	1
1-23951-0050	PACKING	1
1-23951-0120	PACKING	1

0-23000-7733 STARTING MOTOR

OEM CUSTOMER	KOMATSU	OEM PARTS NUMBER	600-813-9322
NOMINAL OUT PUT	24V 11Kw	SUPPLY TERM	02.06~
WEIGHT	17.6kg	SWITCH	SAFETY RELAY (INSTALLED ON RIGHT)
ENGINE MODEL	SA6D125E-3, OTHERS		
VEHICLE	D85EX-15, OTHERS		
DESIGN RECORD	7730 → 7731 SFR CHANGED 7731 → 7733 JUMP START PROTECTION, SFR AND MAG.SWITCH CHANGED		
NOTE	WATER PROOF OIL PROOF φ114		



0-23000-7733

0-23000-7733 STARTING MOTOR (MAKER PART NO 600-813-9322)

No	Parts Number	Maker Parts No	Description	Qty	List Price	Note
1	0-23100-0430		ARMATURE CO	1		INCLUDING 1-1,1-2
1-1	1-0456-62057		BALL BEARING	1		FRONT
1-2	1-0456-62017		BALL BEARING	1		REAR
2	0-23200-0672		YOKE ASSY	1		INCLUDING 2 PCS OF 7-4
3	0-23310-1675		FRONT BRACKET CO	1		INCLUDING 3-1, 3-2
3-1	7-23351-0085		METAL	1		FRONT
3-2	1-23761-0010		COVER	1		
3-3	1-0240-06305		BOLT	6		
4	0-23120-0180		SHAFT CO	1		
4-1	0-09201-0850		BALL BEARING	1		CENTER
4-2	1-23181-0020		PINION STOPPER	1		
4-3	1-23914-0020		CLIP RING	1		
5	0-23500-0974		O.R.CLUTCH ASSY	1		
6	0-23600-0410		CENTER BRACKET ASSY	1		INCLUDING OIL SEAL
6-1	0-23611-1102		CENTER BRACKET	1		
6-2	7-47100-0270		MAG.SWITCH ASSY	1		
6-3	0-0276-08402		BOLT	3		
6-4	0-0274-06202		BOLT	3		
6-5	0-23320-0290		SHIFT LEVER CO	1		
6-6	0-23303-0020		LEVER PIN	1		
6-7	1-09279-0090		NUT	1		
7-1	0-23710-0221		REAR BRACKET	1		
7-2	7-23750-0150		BRUSH HOLDER CO	1		INCLUDING 7-3, 7-4
7-3	1-23913-0040		BRUSH SPRING	4		
7-4	0-23740-0354		BRUSH CO	4		
7-5	0-09001-4380		BOLT	2		THROUGH BOLT
7-6	0-09011-3140		SCREW	2		
8	0-25000-8333		SWITCH	1		
8-1	0-0270-06602		BOLT	1		
8-2	0-47927-1390		HOLDER	1		
#2	1-23921-0130		WASHER	1		
#3	1-23921-0140		WASHER	1		ADJUSTMENT
#4	1-23941-0040		INSULATE WASHER	1		
#5	0-09057-0110		WASHER	1		ADJUSTMENT
#6	0-09057-0190		WASHER	1		
※	7-09210-2910		SEAL ASSY	1		
△	7-47761-0010		MAG.SWITCH COVER ASSY	1		
□	7-47761-0030		SWITCH COVER ASSY	1		

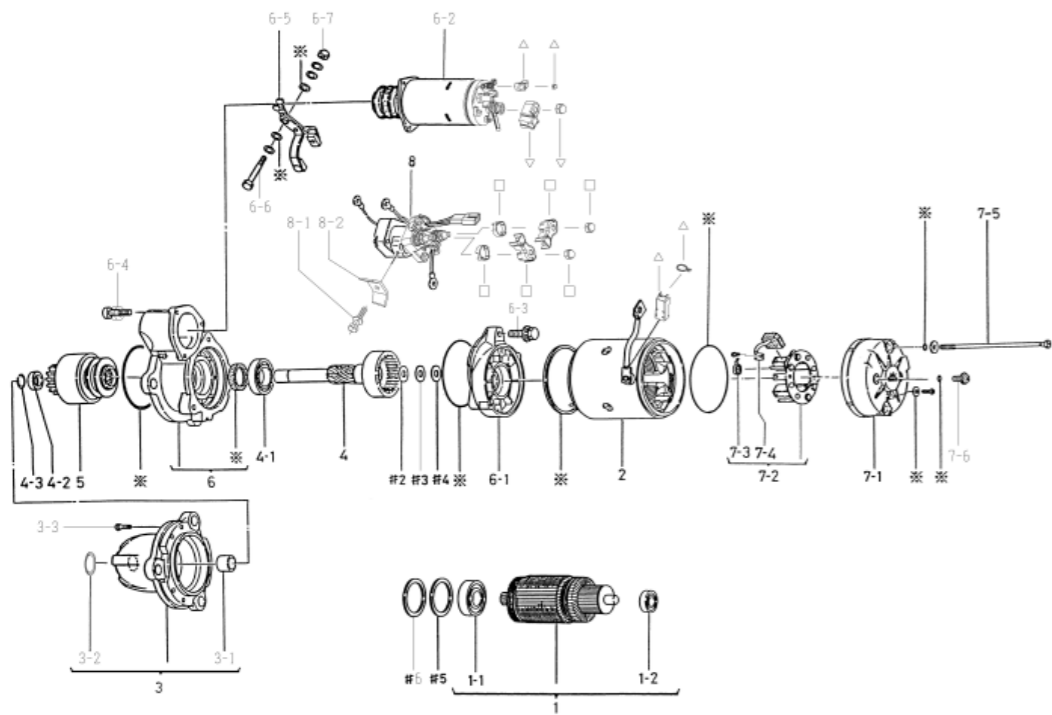
7-09210-2910	SEAL ASSY	
1-0345-05001	SEAL WASHER	1
1-0345-08001	SEAL WASHER	2
1-23951-0051	PACKING	1
1-09210-1060	OIL SEAL	1
1-09211-0081	O RING	4
1-09211-0981	O RING	2
1-09211-1120	O RING	1

0-23000-7735 STARTING MOTOR

OEM CUSTOMER	KOMATSU	OEM PARTS NUMBER	600-813-9323
NOMINAL OUT PUT	24V 11Kw	SUPPLY TERM	15.06~
WEIGHT	17.6kg	SWITCH	SAFETY RELAY (INSTALLED ON RIGHT)
ENGINE MODEL	SA6D125E-3, OTHERS		
VEHICLE	D85EX-15, OTHERS		
DESIGN RECORD	7730 → 7731 SFR CHANGED 7731 → 7733 JUMP START PROTECTION, SFR AND MAG.SWITCH CHANGED 7733 → 7735 CAUTION PLATE CHANGED		
NOTE	WATER PROOF OIL PROOF φ114		

0-23000-7735 STARTING MOTOR (MAKER PART NO 600-813-9323)

No	Parts Number	Maker Parts No	Description	Qty	List Price	Note
1	0-23100-0430		ARMATURE CO	1		INCLUDING 1-1, 1-2
1-1	1-0456-62057		BALL BEARING	1		FRONT
1-2	1-0456-62017		BALL BEARING	1		REAR
2	0-23200-0672		YOKE ASSY	1		INCLUDING 2 PCS OF 7-4
3	0-23310-1675		FRONT BRACKET CO	1		INCLUDING 3-1, 3-2
3-1	7-23351-0085		METAL	1		FRONT
3-2	1-23761-0010		COVER	1		
3-3	1-0240-06305		BOLT	6		
4	0-23120-0180		SHAFT CO	1		
4-1	0-09201-0850		BALL BEARING	1		CENTER
4-2	1-23181-0020		PINION STOPPER	1		
4-3	1-23914-0020		CLIP RING	1		
5	0-23500-0974		O.R.CLUTCH ASSY	1		
6	0-23600-0410		CENTER BRACKET ASSY	1		INCLUDING OIL SEAL
6-1	0-23611-1102		CENTER BRACKET	1		
6-2	7-47100-0274		MAG.SWITCH ASSY	1		
6-3	0-0276-08402		BOLT	3		
6-4	0-0274-06202		BOLT	3		
6-5	0-23320-0290		SHIFT LEVER CO	1		
6-6	0-23303-0020		LEVER PIN	1		
6-7	1-09279-0090		NUT	1		
7-1	0-23710-0221		REAR BRACKET	1		
7-2	7-23750-0150		BRUSH HOLDER CO	1		INCLUDING 7-3, 7-4
7-3	1-23913-0040		BRUSH SPRING	4		
7-4	0-23740-0354		BRUSH CO	4		
7-5	0-09001-4380		BOLT	2		THROUGH BOLT
7-6	0-09011-3140		SCREW	2		
8	0-25000-8333		SWITCH	1		
8-1	0-0270-06602		BOLT	1		
8-2	0-47927-1390		HOLDER	1		
#2	1-23921-0130		WASHER	1		
#3	1-23921-0140		WASHER	1		FOR ADJUSTMENT
#4	1-23941-0040		INSULATE WASHER	1		
#5	0-09057-0110		WASHER	1		FOR ADJUSTMENT
#6	0-09057-0190		WASHER	1		
※	7-09210-2910		SEAL ASSY	1		
△	7-47761-0010		MAG.SWITCH COVER ASSY	1		
□	7-47761-0030		SWITCH COVER ASSY	1		



0-23000-7735

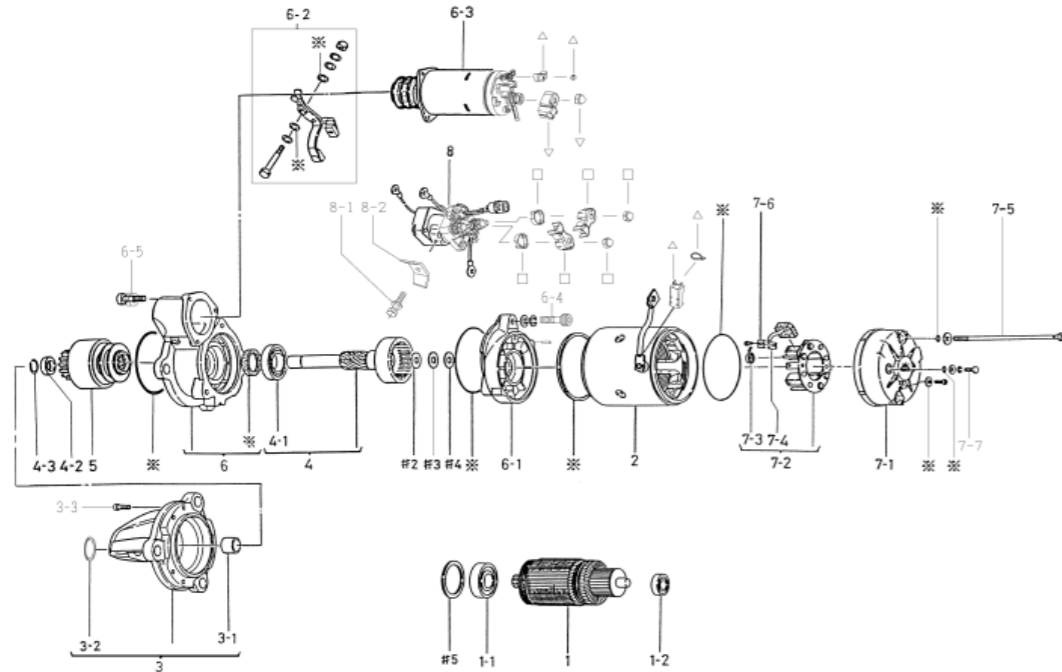
7-09210-2910	SEAL ASSY	
1-0345-05001	SEAL WASHER	1
1-0345-08001	SEAL WASHER	2
1-23951-0051	PACKING	1
1-09210-1060	OIL SEAL	1
1-09211-0081	O RING	4
1-09211-0981	O RING	2
1-09211-1120	O RING	1

0-23000-7752 STARTING MOTOR

OEM CUSTOMER	KOMATSU	OEM PARTS NUMBER	600-813-7542
NOMINAL OUT PUT	24V 7.5Kw	SUPPLY TERM	02.06~
WEIGHT	18 kg	SWITCH	SAFETY RELAY (INSTALLED ON RIGHT)
ENGINE MODEL	SAA12V140-3, OTHERS		
VEHICLE	WA800-3E, OTHERS		
DESIGN RECORD	7750 → 7751 SFR CHANGED 7751 → 7752 JUMP START PROTECTION, SFR AND MAG.SWITCH CHANGED		
NOTE	WATER PROOF OIL PROOF φ114		

0-23000-7752 STARTING MOTOR (MAKER PART NO 600-813-7542)

No	Parts Number	Maker Parts No	Description	Qty	List Price	Note
1	0-23100-0231		ARMATURE CO	1		
1-1	1-0456-62047		BALL BEARING	1		FRONT
1-2	1-0456-62007		BALL BEARING	1		REAR
2	0-23200-1120		YOKE ASSY	1		INC. 2 PCS EACH OF 7-4 & 7-6
3	0-23300-0266		F. BRACKET ASSY	1		INCLUDING 3-1, 3-2
3-1	7-23351-0085		METAL	1		FRONT
3-2	1-23761-0010		COVER	1		
3-3	1-0240-06305		BOLT	6		
4	7-23120-0090		SHAFT ASSY	1		INCLUDING 4-1
4-1	1-0456-60067		BALL BEARING	1		CENTER
4-2	1-23181-0020		PINION STOPPER	1		
4-3	1-23914-0020		CLIP RING	1		
5	0-23500-0164		O.R.CLUTCH ASSY	1		
6	0-23600-0270		CENTER BRACKET ASSY	1		INCLUDING OIL SEAL
6-1	1-23611-0080		CENTER BRACKET	1		
6-2	7-23320-0120		SHIFT LEVER CO	1		
6-3	7-47100-0250		MAG.SWITCH ASSY	1		
6-4	1-0240-08405		BOLT	3		
6-5	0-0274-06202		BOLT	3		
7-1	0-23711-0221		REAR BRACKET	1		
7-2	7-23750-0024		BRUSH HOLDER CO	1		INCLUDING 7-3, 7-4, 7-6
7-3	1-23913-0040		BRUSH SPRING	4		
7-4	0-23740-0354		BRUSH CO	4		
7-5	0-09001-4380		BOLT	2		THROUGH BOLT
7-6	1-25922-2800		PLATE	4		
7-7	0-09001-4181		BOLT	2		
8	0-25000-8333		SWITCH	1		
8-1	0-0270-06602		BOLT	1		
8-2	1-47927-0940		HOLDER	1		
#2	1-23921-0130		WASHER	1		
#3	1-23921-0140		WASHER	1		FOR ADJUSTMENT
#4	1-23941-0040		INSULATE WASHER	1		
#5	0-23921-0230		WASHER	1		FOR ADJUSTMENT
※	7-09210-2870		SEAL ASSY	1		
△	7-47761-0010		MAG.SWITCH COVER ASSY	1		
□	7-47761-0030		SWITCH COVER ASSY	1		



0-23000-7752

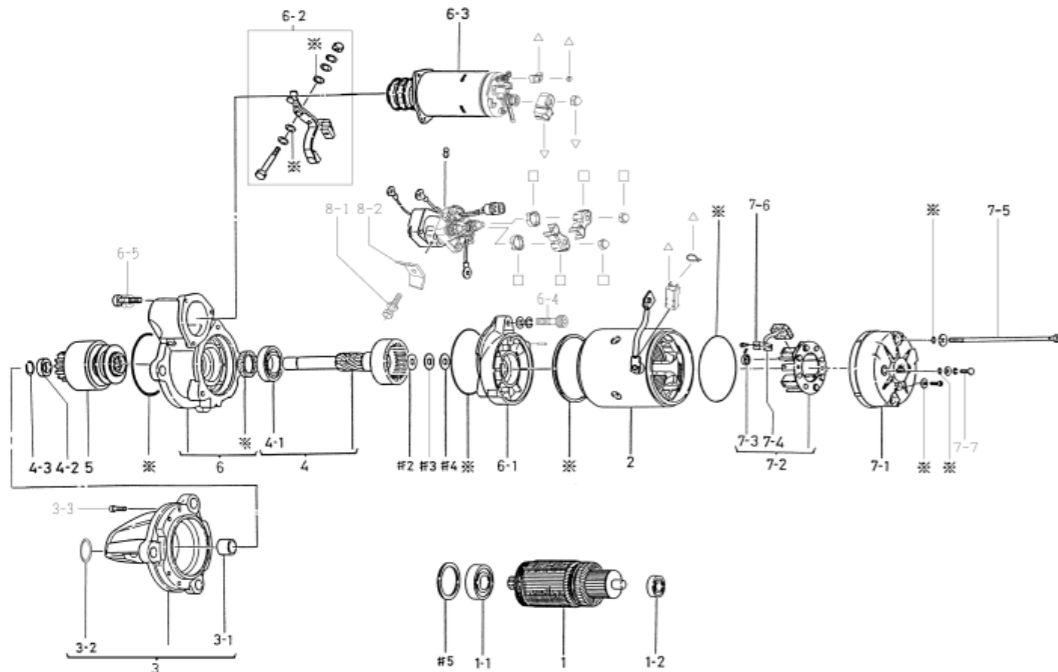
7-09210-2870	SEAL ASSY	
1-0345-05001	SEAL WASHER	1
1-0345-08001	SEAL WASHER	2
1-23951-0051	PACKING	1
1-09210-1060	OIL SEAL	1
1-0505-00501	O RING	2
1-0505-00601	O RING	2
1-09211-0981	O RING	2
1-09211-1120	O RING	1

0-23000-7755 STARTING MOTOR

OEM CUSTOMER	KOMATSU	OEM PARTS NUMBER	600-813-7543
NOMINAL OUT PUT	24V 7.5Kw	SUPPLY TERM	15.06~
WEIGHT	18 kg	SWITCH	SAFETY RELAY (INSTALLED ON RIGHT)
ENGINE MODEL	SAA12V140-3, OTHERS		
VEHICLE	WA800-3E, OTHERS		
DESIGN RECORD	7750 → 7751 SFR CHANGED 7751 → 7752 JUMP START PROTECTION, SFR AND MAG.SWITCH CHANGED 7752 → 7755 CAUTION PLATE CHANGED		
NOTE	WATER PROOF OIL PROOF φ114		

0-23000-7755 STARTING MOTOR (MAKER PART NO 600-813-7543)

No	Parts Number	Maker Parts No	Description	Qty	List Price	Note
1	0-23100-0231		ARMATURE CO	1		
1-1	1-0456-62047		BALL BEARING	1		FRONT
1-2	1-0456-62007		BALL BEARING	1		REAR
2	0-23200-1120		YOKE ASSY	1		INC. 2 PCS EACH OF 7-4 & 7-6
3	0-23300-0266		F. BRACKET ASSY	1		INCLUDING 3-1, 3-2
3-1	7-23351-0085		METAL	1		FRONT
3-2	1-23761-0010		COVER	1		
3-3	1-0240-06305		BOLT	6		
4	7-23120-0090		SHAFT ASSY	1		INCLUDING 4-1
4-1	1-0456-60067		BALL BEARING	1		CENTER
4-2	1-23181-0020		PINION STOPPER	1		
4-3	1-23914-0020		CLIP RING	1		
5	0-23500-0164		O.R.CLUTCH ASSY	1		
6	0-23600-0270		CENTER BRACKET ASSY	1		INCLUDING OIL SEAL
6-1	1-23611-0080		CENTER BRACKET	1		
6-2	7-23320-0120		SHIFT LEVER CO	1		
6-3	7-47100-0254		MAG.SWITCH ASSY	1		
6-4	1-0240-08405		BOLT	3		
6-5	0-0274-06202		BOLT	3		
7-1	0-23711-0221		REAR BRACKET	1		
7-2	7-23750-0024		BRUSH HOLDER CO	1		INCLUDING 7-3, 7-4, 7-6
7-3	1-23913-0040		BRUSH SPRING	4		
7-4	0-23740-0354		BRUSH CO	4		
7-5	0-09001-4380		BOLT	2		THROUGH BOLT
7-6	1-25922-2800		PLATE	4		
7-7	0-09001-4181		BOLT	2		
8	0-25000-8333		SWITCH	1		
8-1	0-0270-06602		BOLT	1		
8-2	1-47927-0940		HOLDER	1		
#2	1-23921-0130		WASHER	1		
#3	1-23921-0140		WASHER	1		FOR ADJUSTMENT
#4	1-23941-0040		INSULATE WASHER	1		
#5	0-23921-0230		WASHER	1		FOR ADJUSTMENT
※	7-09210-2870		SEAL ASSY	1		
△	7-47761-0010		MAG.SWITCH COVER ASSY	1		
□	7-47761-0030		SWITCH COVER ASSY	1		

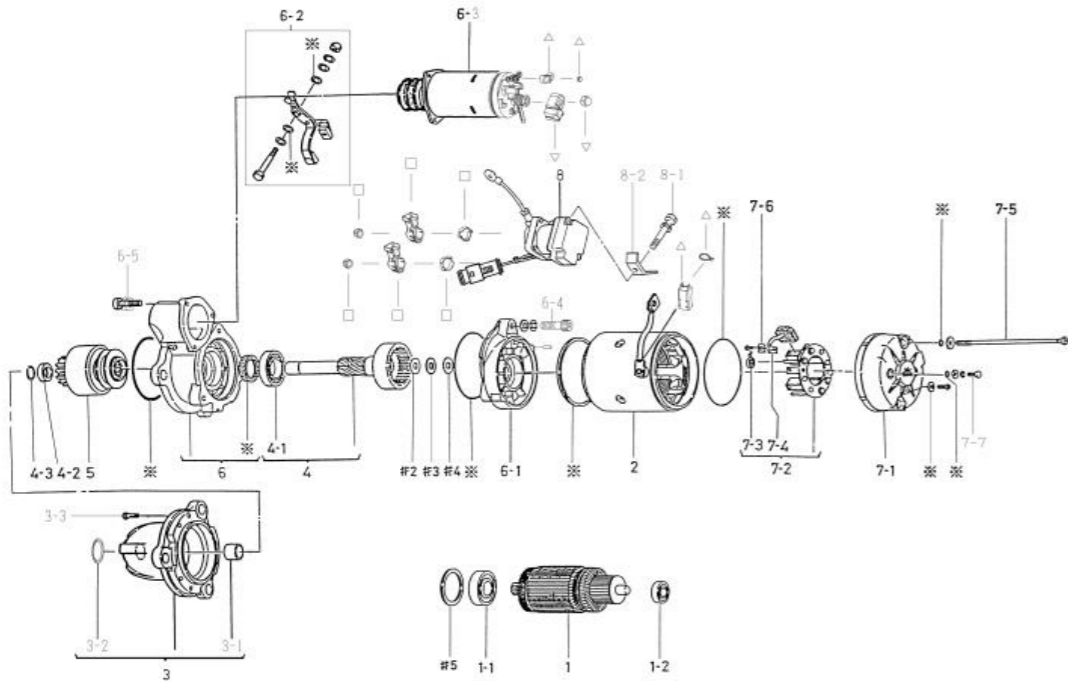


0-23000-7755

7-09210-2870	SEAL ASSY	
1-0345-05001	SEAL WASHER	1
1-0345-08001	SEAL WASHER	2
1-23951-0051	PACKING	1
1-09210-1060	OIL SEAL	1
1-0505-00501	O RING	2
1-0505-00601	O RING	2
1-09211-0981	O RING	2
1-09211-1120	O RING	1

0-23000-7761 STARTING MOTOR

OEM CUSTOMER	KOMATSU	OEM PARTS NUMBER	600-813-3712
NOMINAL OUT PUT	24V 7.5Kw	SUPPLY TERM	02.06~
WEIGHT	18kg	SWITCH	SAFETY RELAY (INSTALLED ON LEFT)
ENGINE MODEL	SA6D170, OTHERS		
VEHICLE	WA600, WA700, OTHERS		
DESIGN RECORD	6610 → 6612 REAR BRACKET CHANGED (METAL→BEARING) 6612 → 6613 SFR CHANGED 6613 → 7760 SFR CHANGED 7760 → 7761 JUMP START PROTECTION, SFR AND MAG.SWITCH CHANGED		
NOTE	WATER PROOF OIL PROOF φ114 PARALLEL RUNNING SPECIFICATION		



0-23000-7761

0-23000-7761 STARTING MOTOR (MAKER PART NO 600-813-3712)

No	Parts Number	Maker Parts No	Description	Qty	List Price	Note
1	0-23100-0231		ARMATURE CO	1		
1-1	1-0456-62047		BALL BEARING	1		FRONT
1-2	1-0456-62007		BALL BEARING	1		REAR
2	0-23200-1120		YOKE ASSY	1		INC. 2 PCS EACH OF 7-4 & 7-6
3	0-23300-0275		FRONT BRACKET CO	1		INCLUDING 3-1, 3-2
3-1	7-23351-0085		METAL	1		FRONT
3-2	1-23761-0010		COVER	1		
3-3	1-0240-06305		BOLT	6		
4	7-23120-0090		SHAFT ASSY	1		INCLUDING 4-1
4-1	1-0456-60067		BALL BEARING	1		CENTER
4-2	1-23181-0020		PINION STOPPER	1		
4-3	1-23914-0020		CLIP RING	1		
5	0-23500-0164		O.R.CLUTCH ASSY	1		
6	1-23600-0080		CENTER BRACKET ASSY	1		INCLUDING OIL SEAL
6-1	1-23611-0080		CENTER BRACKET	1		
6-2	7-23320-0120		SHIFT LEVER ASSY	1		
6-3	7-47100-0250		MAG.SWITCH COVER ASSY	1		
6-4	1-0240-08405		BOLT	3		
6-5	0-0274-06202		BOLT	3		
7-1	0-23711-0221		REAR BRACKET	1		
7-2	7-23750-0024		BRUSH HOLDER CO	1		INCLUDING 7-3, 7-4, 7-6
7-3	1-23913-0040		BRUSH SPRING	4		
7-4	1-23740-0354		BRUSH CO	4		
7-5	0-09001-4380		BOLT	2		THROUGH BOLT
7-6	1-25922-2800		PLATE	4		
7-7	0-09001-4181		BOLT	2		
8	0-25000-9210		SWITCH	1		
8-1	0-0270-06602		BOLT	1		
8-2	1-47927-0940		HOLDER	1		
#2	1-23921-0130		WASHER	1		
#3	1-23921-0140		WASHER	1		FOR ADJUSTMENT
#4	1-23941-0040		INSULATE WASHER	1		
#5	0-23921-0230		WASHER	1		FOR ADJUSTMENT
※	7-09210-2880		SEAL ASSY	1		
△	7-47761-0010		MAG.SWITCH COVER ASSY	1		
□	7-47761-0030		SWITCH COVER ASSY	1		

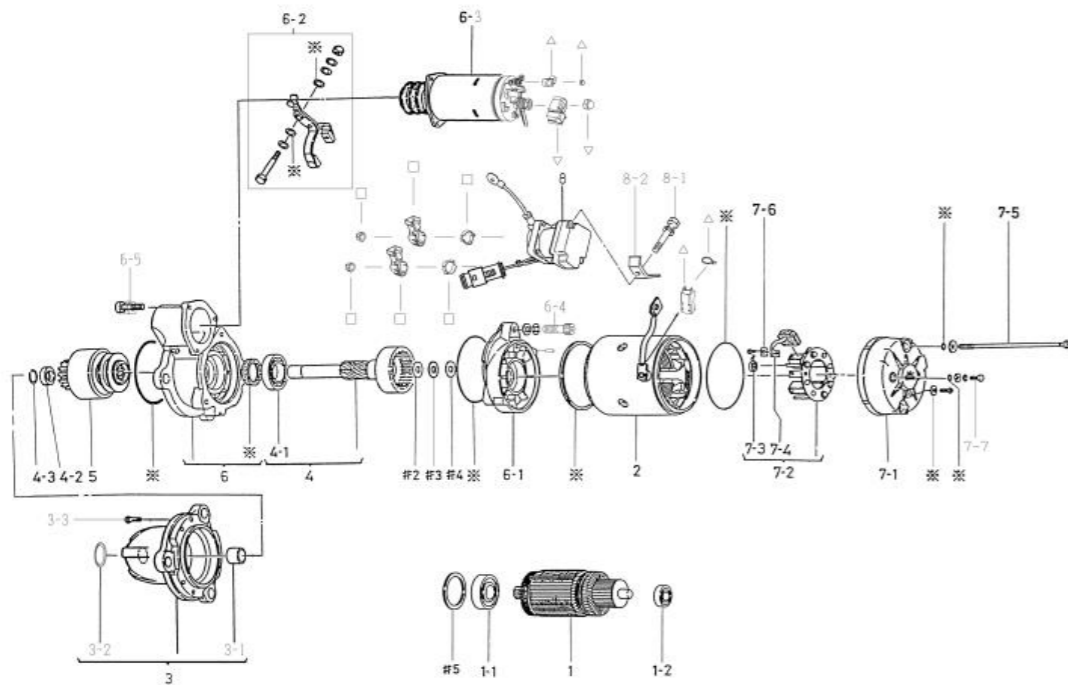
※	7-09210-2880	SEAL ASSY	
	1-0345-05001	SEAL WASHER	1
	1-0345-08001	SEAL WASHER	2
	1-23951-0050	PACKING	1
	1-09210-1040	OIL SEAL	1
	1-0505-00501	O RING	2
	1-0505-00601	O RING	2
	1-09211-0980	O RING	2
	1-09211-1120	O RING	1

0-23000-7765 STARTING MOTOR

OEM CUSTOMER	KOMATSU	OEM PARTS NUMBER	600-813-3713
NOMINAL OUT PUT	24V 7.5Kw	SUPPLY TERM	15.06~
WEIGHT	18kg	SWITCH	SAFETY RELAY (INSTALLED ON LEFT)
ENGINE MODEL	SA6D170, OTHERS		
VEHICLE	WA600, WA700, OTHERS		
DESIGN RECORD	6610 → 6612	REAR BRACKET CHANGED (METAL→BEARING)	
	6612 → 6613	SFR CHANGED	
	6613 → 7760	SFR CHANGED	
	7760 → 7761	JUMP START PROTECTION, SFR AND MAG.SWITCH CHANGED	
	7761 → 7765	CAUTION PLATE CHANGED	
NOTE	WATER PROOF OIL PROOF φ 114 PARALLEL RUNNING SPECIFICATION		

0-23000-7765 STARTING MOTOR (MAKER PART NO 600-813-3713)

No	Parts Number	Maker Parts No	Description	Qty	List Price	Note
1	0-23100-0231		ARMATURE CO	1		
1-1	1-0456-62047		BALL BEARING	1		FRONT
1-2	1-0456-62007		BALL BEARING	1		REAR
2	0-23200-1120		YOKE ASSY	1		INC. 2 PCS EACH OF 7-4 & 7-6
3	0-23300-0275		FRONT BRACKET CO	1		INCLUDING 3-1, 3-2
3-1	7-23351-0085		METAL	1		FRONT
3-2	1-23761-0010		COVER	1		
3-3	1-0240-06305		BOLT	6		
4	7-23120-0090		SHAFT ASSY	1		INCLUDING 4-1
4-1	1-0456-60067		BALL BEARING	1		CENTER
4-2	1-23181-0020		PINION STOPPER	1		
4-3	1-23914-0020		CLIP RING	1		
5	0-23500-0164		O.R.CLUTCH ASSY	1		
6	1-23600-0080		CENTER BRACKET ASSY	1		INCLUDING OIL SEAL
6-1	1-23611-0080		CENTER BRACKET	1		
6-2	7-23320-0120		SHIFT LEVER ASSY	1		
6-3	7-47100-0254		MAG.SWITCH COVER ASSY	1		
6-4	1-0240-08405		BOLT	3		
6-5	0-0274-06202		BOLT	3		
7-1	0-23711-0221		REAR BRACKET	1		
7-2	7-23750-0024		BRUSH HOLDER CO	1		INCLUDING 7-3, 7-4, 7-6
7-3	1-23913-0040		BRUSH SPRING	4		
7-4	1-23740-0354		BRUSH CO	4		
7-5	0-09001-4380		BOLT	2		THROUGH BOLT
7-6	1-25922-2800		PLATE	4		
7-7	0-09001-4181		BOLT	2		
8	0-25000-9210		SWITCH	1		
8-1	0-0270-06602		BOLT	1		
8-2	1-47927-0940		HOLDER	1		
#2	1-23921-0130		WASHER	1		
#3	1-23921-0140		WASHER	1		FOR ADJUSTMENT
#4	1-23941-0040		INSULATE WASHER	1		
#5	0-23921-0230		WASHER	1		FOR ADJUSTMENT
※	7-09210-2880		SEAL ASSY	1		
△	7-47761-0010		MAG.SWITCH COVER ASSY	1		
□	7-47761-0030		SWITCH COVER ASSY	1		



0-23000-7765

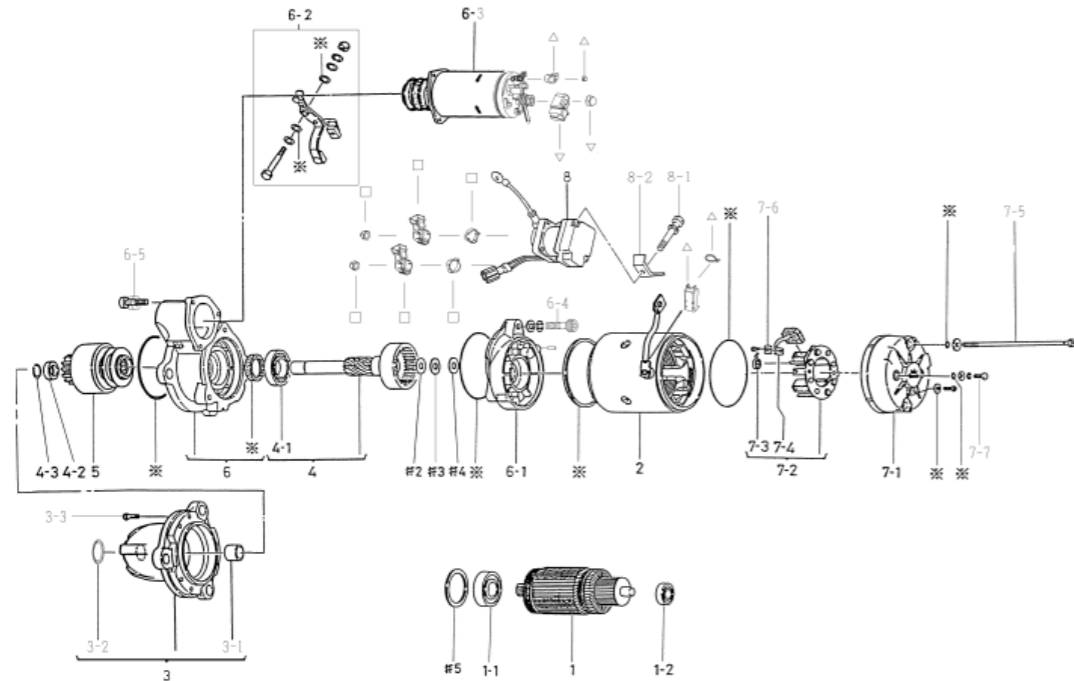
※	7-09210-2880	SEAL ASSY	
	1-0345-05001	SEAL WASHER	1
	1-0345-08001	SEAL WASHER	2
	1-23951-0050	PACKING	1
	1-09210-1040	OIL SEAL	1
	1-0505-00501	O RING	2
	1-0505-00601	O RING	2
	1-09211-0980	O RING	2
	1-09211-1120	O RING	1

0-23000-7771 STARTING MOTOR

OEM CUSTOMER	KOMATSU	OEM PARTS NUMBER	600-813-7113
NOMINAL OUT PUT	24V 7.5Kw	SUPPLY TERM	02.06~
WEIGHT	18kg	SWITCH	SAFETY RELAY (INSTALLED ON LEFT)
ENGINE MODEL	S6D170E-2, OTHERS		
VEHICLE	HD465-5, OTHERS		
DESIGN RECORD	7161 → 7162	SAFETY RELAY (SFR) CHANGED	
	7162 → 7770	SFR CHANGED	
	7770 → 7771	JUMP START PROTECTION, SFR & MAG.SWITCH CHANGED	
NOTE	WATER PROOF OIL PROOF φ114 PARALLEL RUNNING SPECIFICATION		

0-23000-7771 STARTING MOTOR (MAKER PART NO 600-813-7113)

No	Parts Number	Maker Parts No	Description	Qty	List Price	Note
1	0-23100-0231		ARMATURE CO	1		
1-1	1-0456-62047		BALL BEARING	1		FRONT
1-2	1-0456-62007		BALL BEARING	1		REAR
2	0-23200-1120		YOKE ASSY	1		INC. 2 PCS EACH OF 7-4 & 7-6
3	0-23300-0275		FRONT BRACKET CO	1		INCLUDING 3-1, 3-2
3-1	7-23351-0085		METAL	1		FRONT
3-2	1-23761-0010		COVER	1		
3-3	1-0240-06305		BOLT	6		
4	7-23120-0090		SHAFT ASSY	1		INCLUDING 4-1
4-1	1-0456-60067		BALL BEARING	1		CENTER
4-2	1-23181-0020		PINION STOPPER	1		
4-3	1-23914-0020		CLIP RING	1		
5	0-23500-0164		O.R.CLUTCH ASSY	1		
6	1-23600-0080		CENTER BRACKET ASSY	1		CONTAINS OIL SEAL
6-1	1-23611-0080		CENTER BRACKET	1		
6-2	7-23320-0120		SHIFT LEVER ASSY	1		
6-3	7-47100-0250		MAG.SWITCH ASSY	1		
6-4	1-0240-08405		BOLT	3		
6-5	0-0274-06202		BOLT	3		
7-1	0-23711-0221		REAR BRACKET	1		
7-2	7-23750-0024		BRUSH HOLDER CO	1		INCLUDING 7-3, 7-4, 7-6
7-3	1-23913-0040		BRUSH SPRING	4		
7-4	0-23740-0354		BRUSH CO	4		
7-5	0-09001-4380		BOLT	2		THROUGH BOLT
7-6	1-25922-2800		PLATE	4		
7-7	0-09001-4181		BOLT	2		
8	0-25000-7972		SWITCH	1		
8-1	0-0270-06602		BOLT	1		
8-2	1-47927-0940		HOLDER	1		
#2	1-23921-0130		WASHER	1		
#3	1-23921-0140		WASHER	1		FOR ADJUSTMENT
#4	1-23941-0040		INSULATE WASHER	1		
#5	0-23921-0230		WASHER	2		FOR ADJUSTMENT
※	7-09210-2880		SEAL ASSY	1		
△	7-47761-0010		MAG.SWITCH COVER ASSY	1		
□	7-47761-0030		SWITCH COVER ASSY	1		



0-23000-7771

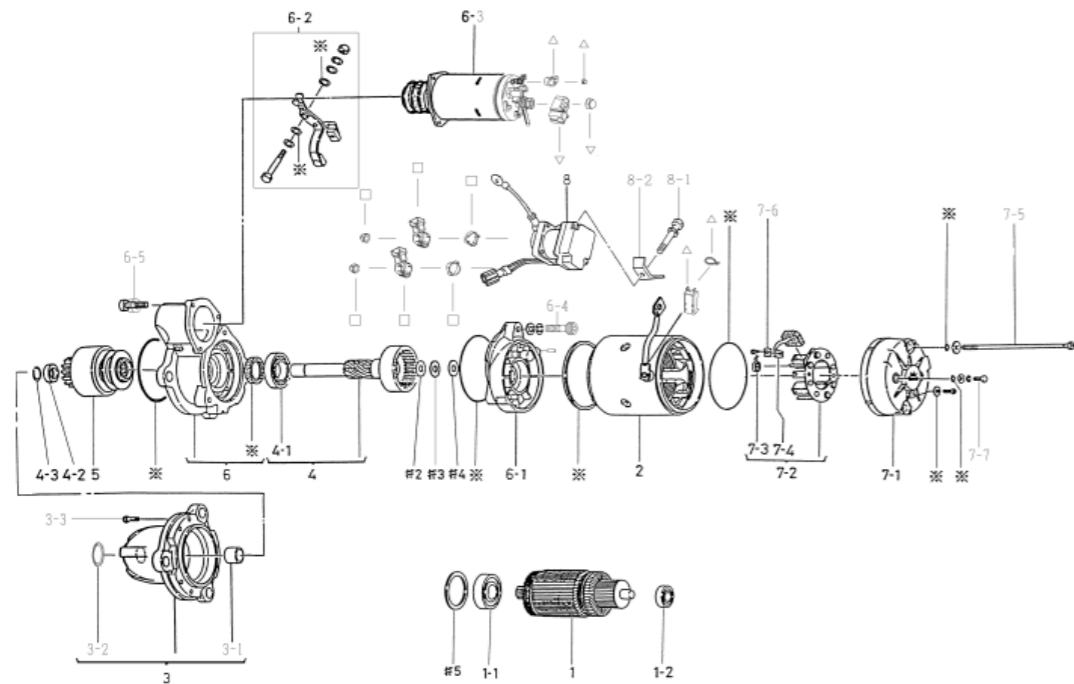
※	7-09210-2880	SEAL ASSY	
	1-0345-05001	SEAL WASHER	1
	1-0345-08001	SEAL WASHER	2
	1-23951-0050	PACKING	1
	1-09210-1040	OIL SEAL	1
	1-0505-00501	O RING	2
	1-0505-00601	O RING	2
	1-09211-0980	O RING	2
	1-09211-1120	O RING	1

0-23000-7775 STARTING MOTOR

OEM CUSTOMER	KOMATSU	OEM PARTS NUMBER	600-813-7114
NOMINAL OUT PUT	24V 7.5Kw	SUPPLY TERM	15.06~
WEIGHT	18kg	SWITCH	SAFETY RELAY (INSTALLED ON LEFT)
ENGINE MODEL	S6D170E-2, OTHERS		
VEHICLE	HD465-5, OTHERS		
DESIGN RECORD	7161 → 7162	SFR CHANGED	
	7162 → 7770	SFR CHANGED	
	7770 → 7771	JUMP START PROTECTION, SFR & MAG.SWITCH CHANGED	
	7771 → 7775	CAUTION PLATE CHANGED	
NOTE	WATER PROOF OIL PROOF φ 114 PARALLEL RUNNING SPECIFICATION		

0-23000-7775 STARTING MOTOR (MAKER PART NO 600-813-7114)

No	Parts Number	Maker Parts No	Description	Qty	List Price	Note
1	0-23100-0231		ARMATURE CO	1		
1-1	1-0456-62047		BALL BEARING	1		FRONT
1-2	1-0456-62007		BALL BEARING	1		REAR
2	0-23200-1120		YOKE ASSY	1		INC. 2 PCS EACH OF 7-4 & 7-6
3	0-23300-0275		FRONT BRACKET CO	1		INCLUDING 3-1, 3-2
3-1	7-23351-0085		METAL	1		FRONT
3-2	1-23761-0010		COVER	1		
3-3	1-0240-06305		BOLT	6		
4	7-23120-0090		SHAFT ASSY	1		INCLUDING 4-1
4-1	1-0456-60067		BALL BEARING	1		CENTER
4-2	1-23181-0020		PINION STOPPER	1		
4-3	1-23914-0020		CLIP RING	1		
5	0-23500-0164		O.R.CLUTCH ASSY	1		
6	1-23600-0080		CENTER BRACKET ASSY	1		CONTAINS OIL SEAL
6-1	1-23611-0080		CENTER BRACKET	1		
6-2	7-23320-0120		SHIFT LEVER ASSY	1		
6-3	7-47100-0254		MAG.SWITCH ASSY	1		
6-4	1-0240-08405		BOLT	3		
6-5	0-0274-06202		BOLT	3		
7-1	0-23711-0221		REAR BRACKET	1		
7-2	7-23750-0024		BRUSH HOLDER CO	1		INCLUDING 7-3, 7-4, 7-6
7-3	1-23913-0040		BRUSH SPRING	4		
7-4	0-23740-0354		BRUSH CO	4		
7-5	0-09001-4380		BOLT	2		THROUGH BOLT
7-6	1-25922-2800		PLATE	4		
7-7	0-09001-4181		BOLT	2		
8	0-25000-7972		SWITCH	1		
8-1	0-0270-06602		BOLT	1		
8-2	1-47927-0940		HOLDER	1		
#2	1-23921-0130		WASHER	1		
#3	1-23921-0140		WASHER	1		FOR ADJUSTMENT
#4	1-23941-0040		INSULATE WASHER	1		
#5	0-23921-0230		WASHER	2		FOR ADJUSTMENT
※	7-09210-2880		SEAL ASSY	1		
△	7-47761-0010		MAG.SWITCH COVER ASSY	1		
□	7-47761-0030		SWITCH COVER ASSY	1		



0-23000-7775

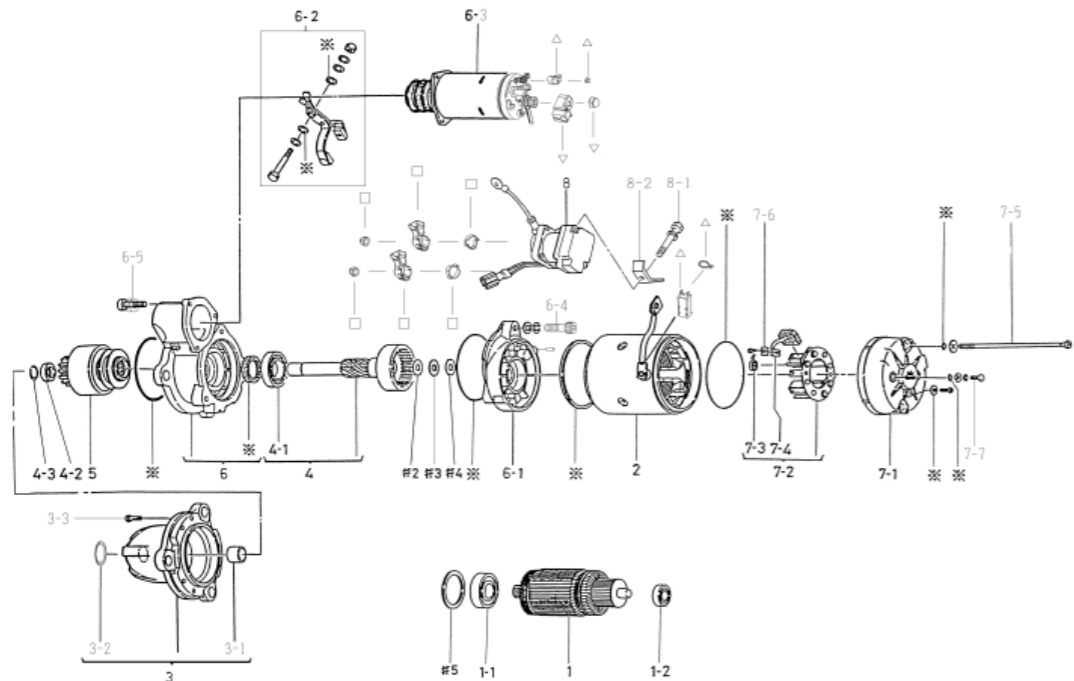
※	7-09210-2880	SEAL ASSY	
	1-0345-05001	SEAL WASHER	1
	1-0345-08001	SEAL WASHER	2
	1-23951-0050	PACKING	1
	1-09210-1040	OIL SEAL	1
	1-0505-00501	O RING	2
	1-0505-00601	O RING	2
	1-09211-0980	O RING	2
	1-09211-1120	O RING	1

0-23000-7781 STARTING MOTOR

OEM CUSTOMER	KOMATSU	OEM PARTS NUMBER	600-813-7122
NOMINAL OUT PUT	24V 7.5Kw	SUPPLY TERM	02.06~
WEIGHT	18kg	SWITCH	SAFETY RELAY (INSTALLED ON LEFT)
ENGINE MODEL	SAA6D170E-3, OTHERS		
VEHICLE	WA600-3E, OTHERS		
DESIGN RECORD	7164 → 7780 SFR CHANGED 7780 → 7781 JUMP START PROTECTION, SFR & MAG.SWITCH CHANGED		
NOTE	WATER PROOF OIL PROOF φ114		

0-23000-7781 STARTING MOTOR (MAKER PART NO 600-813-7122)

No	Parts Number	Maker Parts No	Description	Qty	List Price	Note
1	0-23100-0231		ARMATURE CO	1		
1-1	1-0456-62047		BALL BEARING	1		FRONT
1-2	1-0456-62007		BALL BEARING	1		REAR
2	0-23200-01120		YOKE ASSY	1		INC. 2 PCS EACH OF 7-4 & 7-6
3	0-23300-0275		FRONT BRACKET CO	1		INCLUDING 3-1, 3-2
3-1	7-23351-0085		METAL	1		FRONT
3-2	1-23761-0010		COVER	1		
3-3	1-0240-06305		BOLT	6		
4	7-23120-0090		SHAFT ASSY	1		INCLUDING 4-1
4-1	1-0456-60067		BALL BEARING	1		CENTER
4-2	1-23181-0020		PINION STOPPER	1		
4-3	1-23914-0020		CLIP RING	1		
5	0-23500-0164		O.R.CLUTCH ASSY	1		
6	0-23600-0270		CENTER BRACKET ASSY	1		INCLUDING OIL SEAL
6-1	1-23611-0080		CENTER BRACKET	1		
6-2	7-23320-0120		SHIFT LEVER ASSY	1		
6-3	7-47100-0250		MAG.SWITCH COVER ASSY	1		
6-4	1-0240-08405		BOLT	3		
6-5	0-0274-06202		BOLT	3		
7-1	0-23711-0221		REAR BRACKET	1		
7-2	7-23750-0024		BRUSH HOLDER CO	1		INCLUDING 7-3, 7-4, 7-6
7-3	1-23913-0040		BRUSH SPRING	4		
7-4	1-23740-0354		BRUSH CO	4		
7-5	0-09001-4380		BOLT	2		THROUGH BOLT
7-6	1-25922-2800		PLATE	4		
7-7	0-09001-4181		BOLT	2		
8	0-25000-7972		SWITCH	1		
8-1	0-0270-06602		BOLT	1		
8-2	1-47927-0940		HOLDER	1		
#2	1-23921-0130		WASHER	1		
#3	1-23921-0140		WASHER	1		FOR ADJUSTMENT
#4	1-23941-0040		INSULATE WASHER	1		
#5	0-23921-0230		WASHER	1		FOR ADJUSTMENT
※	7-09210-2870		SEAL ASSY	1		
△	7-47761-0010		MAG.SWITCH COVER ASSY	1		
□	7-47761-0030		SWITCH COVER ASSY	1		



0-23000-7781

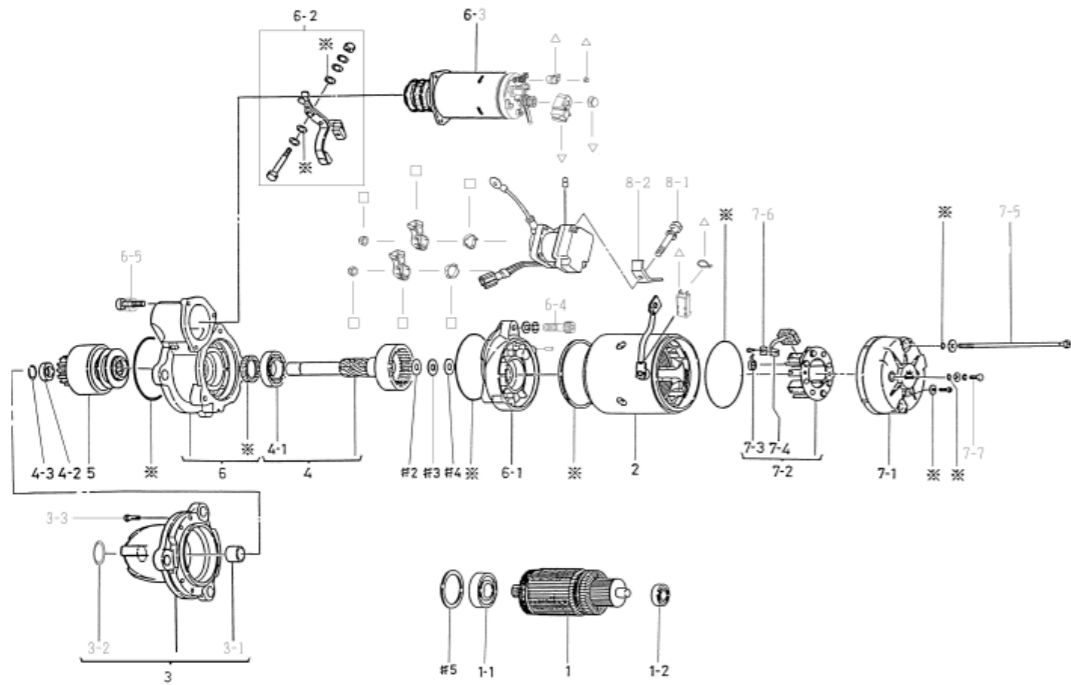
※	7-09210-2870	SEAL ASSY	
	1-0345-05001	SEAL WASHER	1
	1-0345-08001	SEAL WASHER	2
	1-23951-0051	PACKING	1
	1-09210-1060	OIL SEAL	1
	1-0505-00501	O RING	2
	1-0505-00601	O RING	2
	1-09211-0981	O RING	2
	1-09211-1120	O RING	1

0-23000-7785 STARTING MOTOR

OEM CUSTOMER	KOMATSU	OEM PARTS NUMBER	600-813-7123
NOMINAL OUT PUT	24V 7.5Kw	SUPPLY TERM	15.06~
WEIGHT	18kg	SWITCH	SAFETY RELAY (INSTALLED ON LEFT)
ENGINE MODEL	SAA6D170E-3, OTHERS		
VEHICLE	WA600-3E, OTHERS		
DESIGN RECORD	7164 → 7780 SFR CHANGED 7780 → 7781 JUMP START PROTECTION, SFR & MAG.SWITCH CHANGED 7781 → 7785 CAUTION PLATE CHANGED		
NOTE	WATER PROOF OIL PROOF φ114		

0-23000-7785 STARTING MOTOR (MAKER PART NO 600-813-7123)

No	Parts Number	Maker Parts No	Description	Qty	List Price	Note
1	0-23100-0231		ARMATURE CO	1		
1-1	1-0456-62047		BALL BEARING	1		FRONT
1-2	1-0456-62007		BALL BEARING	1		REAR
2	0-23200-01120		YOKE ASSY	1		INC. 2 PCS EACH OF 7-4 & 7-6
3	0-23300-0275		FRONT BRACKET CO	1		INCLUDING 3-1, 3-2
3-1	7-23351-0085		METAL	1		FRONT
3-2	1-23761-0010		COVER	1		
3-3	1-0240-06305		BOLT	6		
4	7-23120-0090		SHAFT ASSY	1		INCLUDING 4-1
4-1	1-0456-60067		BALL BEARING	1		CENTER
4-2	1-23181-0020		PINION STOPPER	1		
4-3	1-23914-0020		CLIP RING	1		
5	0-23500-0164		O.R.CLUTCH ASSY	1		
6	0-23600-0270		CENTER BRACKET ASSY	1		INCLUDING OIL SEAL
6-1	1-23611-0080		CENTER BRACKET	1		
6-2	7-23320-0120		SHIFT LEVER ASSY	1		
6-3	7-47100-0254		MAG.SWITCH COVER ASSY	1		
6-4	1-0240-08405		BOLT	3		
6-5	0-0274-06202		BOLT	3		
7-1	0-23711-0221		REAR BRACKET	1		
7-2	7-23750-0024		BRUSH HOLDER CO	1		INCLUDING 7-3, 7-4, 7-6
7-3	1-23913-0040		BRUSH SPRING	4		
7-4	1-23740-0354		BRUSH CO	4		
7-5	0-09001-4380		BOLT	2		THROUGH BOLT
7-6	1-25922-2800		PLATE	4		
7-7	0-09001-4181		BOLT	2		
8	0-25000-7972		SWITCH	1		
8-1	0-0270-06602		BOLT	1		
8-2	1-47927-0940		HOLDER	1		
#2	1-23921-0130		WASHER	1		
#3	1-23921-0140		WASHER	1		FOR ADJUSTMENT
#4	1-23941-0040		INSULATE WASHER	1		
#5	0-23921-0230		WASHER	1		FOR ADJUSTMENT
※	7-09210-2870		SEAL ASSY	1		
△	7-47761-0010		MAG.SWITCH COVER ASSY	1		
□	7-47761-0030		SWITCH COVER ASSY	1		



0-23000-7785

※	7-09210-2870	SEAL ASSY	
	1-0345-05001	SEAL WASHER	1
	1-0345-08001	SEAL WASHER	2
	1-23951-0051	PACKING	1
	1-09210-1060	OIL SEAL	1
	1-0505-00501	O RING	2
	1-0505-00601	O RING	2
	1-09211-0981	O RING	2
	1-09211-1120	O RING	1

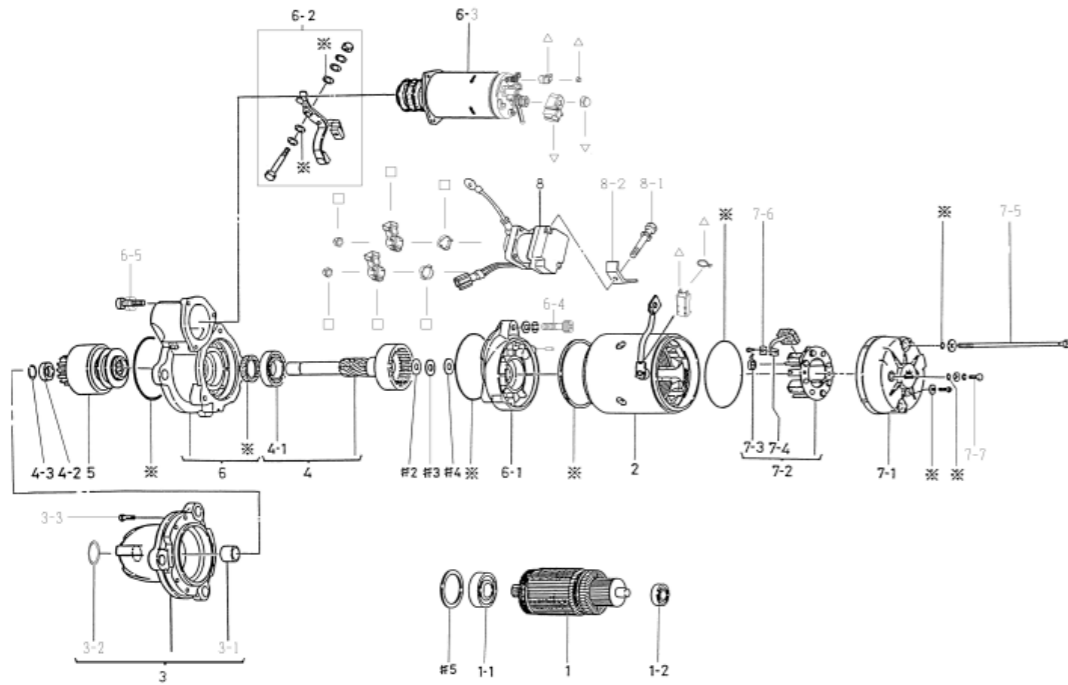
0-23000-7791 STARTING MOTOR

OEM CUSTOMER	KOMATSU	OEM PARTS NUMBER	600-813-7132
NOMINAL OUT PUT	24V 7.5Kw	SUPPLY TERM	02.06~
WEIGHT	18kg	SWITCH	SAFETY RELAY (INSTALLED ON LEFT)
ENGINE MODEL	SAA6D170E-2D		
VEHICLE	PC1100-6		
DESIGN RECORD	7165 → 7790 SFR CHANGED 7790 → 7791 JUMP START PROTECTION, SFR & MAG.SWITCH CHANGED		
NOTE	WATER PROOF OIL PROOF φ114		

0-23000-7791 STARTING MOTOR (MAKER PART NO 600-813-7132)

No	Parts Number	Maker Parts No	Description	Qty	List Price	Note
1	0-23100-0231		ARMATURE CO	1		
1-1	1-0456-62047		BALL BEARING	1		FRONT
1-2	1-0456-62007		BALL BEARING	1		REAR
2	0-23200-1120		YOKE ASSY	1		INC. 2 PCS EACH OF 7-4 & 7-6
3	0-23300-0275		FRONT BRACKET ASSY	1		INCLUDING 3-1, 3-2
3-1	7-23351-0085		METAL	1		FRONT
3-2	1-23761-0010		COVER	1		
3-3	1-0240-06305		BOLT	6		
4	7-23120-0090		SHAFT ASSY	1		INCLUDING 4-1
4-1	1-0456-60067		BALL BEARING	1		CENTER
4-2	1-23181-0020		PINION STOPPER	1		
4-3	1-23914-0020		CLIP RING	1		
5	1-23500-0164		O.R.CLUTCH ASSY	1		
6	0-23600-0270		CENTER BRACKET ASSY	1		INCLUDING OIL SEAL
6-1	1-23611-0080		CENTER BRACKET	1		
6-2	7-23320-0120		SHIFT LEVER ASSY	1		
6-3	7-47100-0250		MAG.SWITCH COVER ASSY	1		
6-4	1-0240-08405		BOLT	3		
6-5	0-0274-06202		BOLT	3		
7-1	0-23711-0221		REAR BRACKET	1		
7-2	7-23750-0024		BRUSH HOLDER CO	1		INCLUDING 7-3, 7-4, 7-6
7-3	1-23913-0040		BRUSH SPRING	4		
7-4	1-23740-0354		BRUSH CO	4		
7-5	0-09001-4380		BOLT	2		THROUGH BOLT
7-6	1-25922-2800		PLATE	4		
7-7	0-09001-4181		BOLT	2		
8	0-25000-8441		SWITCH	1		
8-1	0-0270-06602		BOLT	1		
8-2	1-47927-0940		HOLDER	1		
#2	1-23921-0130		WASHER	1		
#3	1-23921-0140		WASHER	1		FOR ADJUSTMENT
#4	1-23941-0040		INSULATE WASHER	1		
#5	0-23921-0230		WASHER	1		FOR ADJUSTMENT
※	7-09210-2870		SEAL ASSY	1		
△	7-47761-0010		MAG.SWITCH COVER ASSY	1		
□	7-47761-0030		SWITCH COVER ASSY	1		

※	7-09210-2870	SEAL ASSY	
	1-0345-05001	SEAL WASHER	1
	1-0345-08001	SEAL WASHER	2
	1-23951-0051	PACKING	1
	1-09210-1060	OIL SEAL	1
	1-0505-00501	O RING	2
	1-0505-00601	O RING	2
	1-09211-0981	O RING	2
	1-09211-1120	O RING	1



0-23000-7791

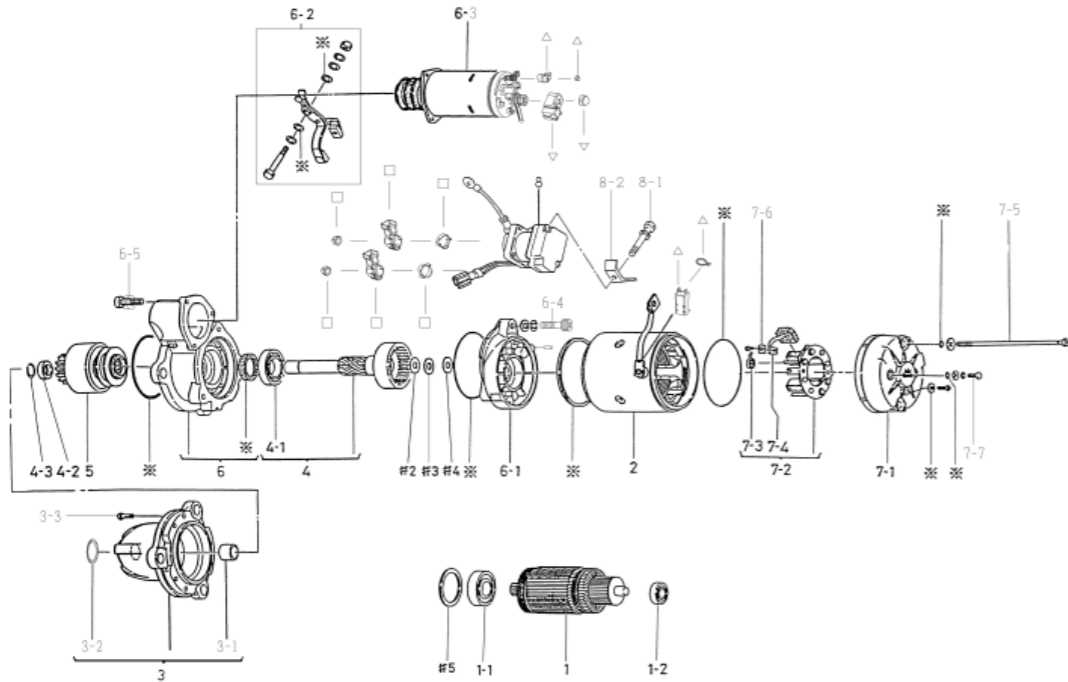
0-23000-7794 STARTING MOTOR

OEM CUSTOMER	KOMATSU	OEM PARTS NUMBER	600-813-7133
NOMINAL OUT PUT	24V 7.5Kw	SUPPLY TERM	15.06~
WEIGHT	18kg	SWITCH	SAFETY RELAY (INSTALLED ON LEFT)
ENGINE MODEL	SAA6D170E-2D		
VEHICLE	PC1100-6		
DESIGN RECORD	7165 → 7790 SFR CHANGED 7790 → 7791 JUMP START PROTECTION, SFR & MAG.SWITCH CHANGED 7791 → 7794 CAUTION PLATE CHANGED		
NOTE	WATER PROOF OIL PROOF φ114		

0-23000-7794 STARTING MOTOR (MAKER PART NO 600-813-7133)

No	Parts Number	Maker Parts No	Description	Qty	List Price	Note
1	0-23100-0231		ARMATURE CO	1		
1-1	1-0456-62047		BALL BEARING	1		FRONT
1-2	1-0456-62007		BALL BEARING	1		REAR
2	0-23200-1120		YOKE ASSY	1		INC. 2 PCS EACH OF 7-4 & 7-6
3	0-23300-0275		FRONT BRACKET ASSY	1		INCLUDING 3-1, 3-2
3-1	7-23351-0085		METAL	1		FRONT
3-2	1-23761-0010		COVER	1		
3-3	1-0240-06305		BOLT	6		
4	7-23120-0090		SHAFT ASSY	1		INCLUDING 4-1
4-1	1-0456-60067		BALL BEARING	1		CENTER
4-2	1-23181-0020		PINION STOPPER	1		
4-3	1-23914-0020		CLIP RING	1		
5	1-23500-0164		O.R.CLUTCH ASSY	1		
6	0-23600-0270		CENTER BRACKET ASSY	1		INCLUDING OIL SEAL
6-1	1-23611-0080		CENTER BRACKET	1		
6-2	7-23320-0120		SHIFT LEVER ASSY	1		
6-3	7-47100-0254		MAG.SWITCH COVER ASSY	1		
6-4	1-0240-08405		BOLT	3		
6-5	0-0274-06202		BOLT	3		
7-1	0-23711-0221		REAR BRACKET	1		
7-2	7-23750-0024		BRUSH HOLDER CO	1		INCLUDING 7-3, 7-4, 7-6
7-3	1-23913-0040		BRUSH SPRING	4		
7-4	1-23740-0354		BRUSH CO	4		
7-5	0-09001-4380		BOLT	2		THROUGH BOLT
7-6	1-25922-2800		PLATE	4		
7-7	0-09001-4181		BOLT	2		
8	0-25000-8441		SWITCH	1		
8-1	0-0270-06602		BOLT	1		
8-2	1-47927-0940		HOLDER	1		
#2	1-23921-0130		WASHER	1		
#3	1-23921-0140		WASHER	1		FOR ADJUSTMENT
#4	1-23941-0040		INSULATE WASHER	1		
#5	0-23921-0230		WASHER	1		FOR ADJUSTMENT
※	7-09210-2870		SEAL ASSY	1		
△	7-47761-0010		MAG.SWITCH COVER ASSY	1		
□	7-47761-0030		SWITCH COVER ASSY	1		

※	7-09210-2870	SEAL ASSY	
	1-0345-05001	SEAL WASHER	1
	1-0345-08001	SEAL WASHER	2
	1-23951-0051	PACKING	1
	1-09210-1060	OIL SEAL	1
	1-0505-00501	O RING	2
	1-0505-00601	O RING	2
	1-09211-0981	O RING	2
	1-09211-1120	O RING	1



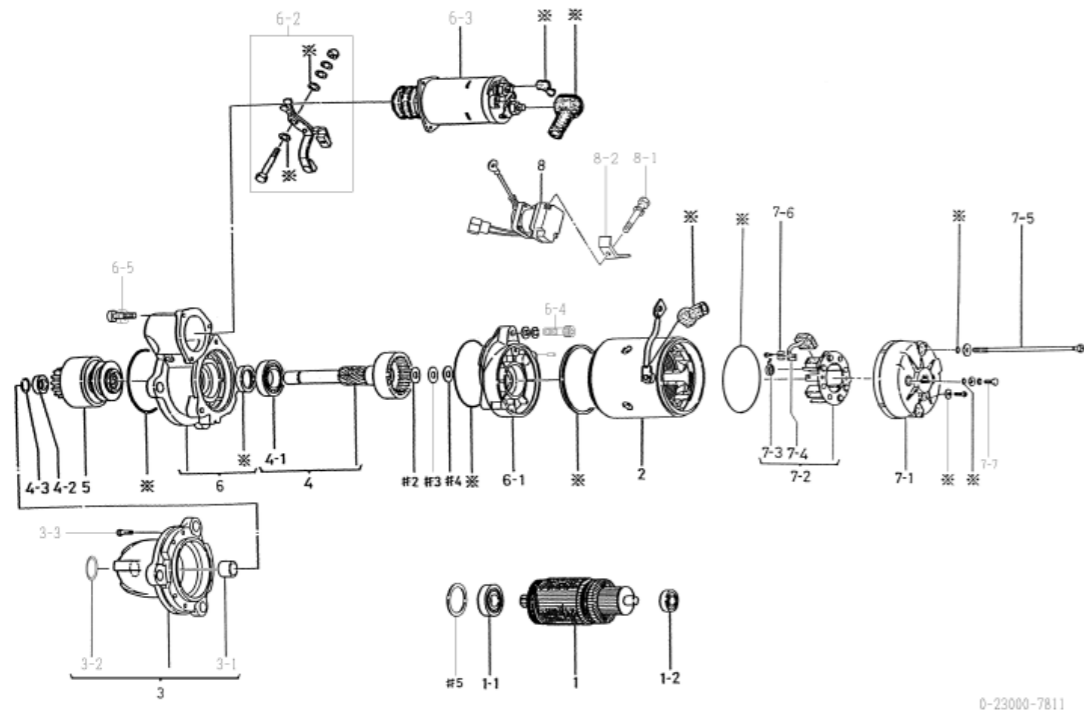
0-23000-7794

0-23000-7811 STARTING MOTOR

OEM CUSTOMER	KOMATSU	OEM PARTS NUMBER	600-813-3512
NOMINAL OUT PUT	24V 7.5Kw	SUPPLY TERM	02.08~
WEIGHT	18kg	SWITCH	SAFETY RELAY (INSTALLED ON LEFT)
ENGINE MODEL	SA6D170		
VEHICLE	PC1100-6,PC650,EG550		
DESIGN RECORD	6210 → 6212	REAR BRACKET CHANGED (METAL→BEARING)	
	6212 → 7531	SFR CHANGED	
	7531 → 7810	SFR CHANGED	
	7810 → 7811	SFR & MAG.SWITCH CHANGED	
NOTE	WATER PROOF OIL PROOF φ114		

0-23000-7811 STARTING MOTOR (MAKER PART NO 600-813-3512)

No	Parts Number	Maker Parts No	Description	Qty	List Price	Note
1	0-23100-0231		ARMATURE CO	1		
1-1	1-0456-62047		BALL BEARING	1		FRONT
1-2	1-0456-62007		BALL BEARING	1		REAR
2	0-23200-1120		YOKE ASSY	1		INC. 2 PCS EACH OF 7-4 & 7-6
3	0-23300-0275		FRONT BRACKET ASSY	1		INCLUDING 3-1, 3-2
3-1	7-23351-0085		METAL	1		FRONT
3-2	1-23761-0010		COVER	1		
3-3	1-0240-06305		BOLT	6		
4	7-23120-0090		SHAFT ASSY	1		INCLUDING 4-1
4-1	1-0456-60067		BALL BEARING	1		CENTER
4-2	1-23181-0020		PINION STOPPER	1		
4-3	1-23914-0020		CLIP RING	1		
5	1-23500-0164		O.R.CLUTCH ASSY	1		
6	1-23600-0080		CENTER BRACKET ASSY	1		INCLUDING OIL SEAL
6-1	1-23611-0080		CENTER BRACKET	1		
6-2	7-23320-0120		SHIFT LEVER ASSY	1		
6-3	0-47100-4920		MAG.SWITCH COVER ASSY	1		
6-4	1-0240-08405		BOLT	3		
6-5	0-0274-06202		BOLT	3		
7-1	0-23711-0221		REAR BRACKET	1		
7-2	7-23750-0024		BRUSH HOLDER CO	1		INCLUDING 7-3, 7-4, 7-6
7-3	1-23913-0040		BRUSH SPRING	4		
7-4	1-23740-0354		BRUSH CO	4		
7-5	0-09001-4380		BOLT	2		THROUGH BOLT
7-6	1-25922-2800		PLATE	4		
7-7	0-09001-4181		BOLT	2		
8	0-25000-6443		SWITCH	1		
8-1	0-0270-06602		BOLT	1		
8-2	1-47927-0940		HOLDER	1		
#2	1-23921-0130		WASHER	1		
#3	1-23921-0140		WASHER	1		FOR ADJUSTMENT
#4	1-23941-0040		INSULATE WASHER	1		
#5	0-23921-0230		WASHER	1		FOR ADJUSTMENT
※	7-09210-1000		SEAL ASSY	1		



0-23000-7811

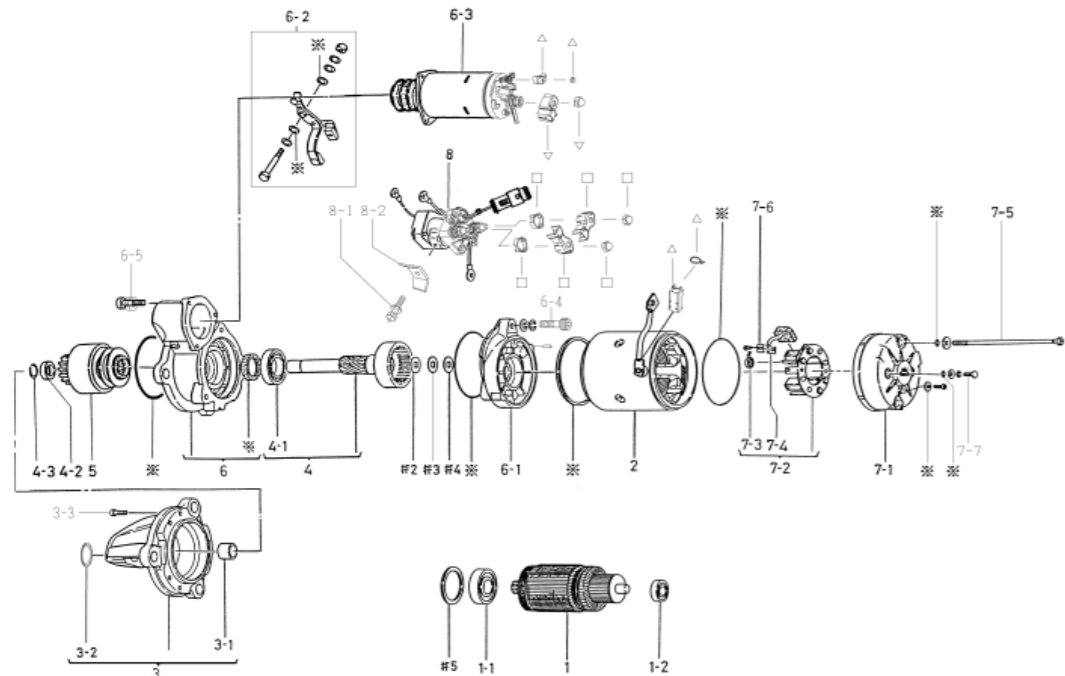
※	7-09210-1000	SEAL ASSY	
	1-0345-05001	SEAL WASHER	1
	1-0345-08001	SEAL WASHER	2
	1-0505-00501	O RING	2
	1-0505-00601	O RING	2
	1-09210-1040	OIL SEAL	1
	1-09211-0571	O RING	1
	1-09211-0980	O RING	2
	1-09211-1120	O RING	1
	1-09252-0211	GUM CAP	1
	1-09252-0420	GUM CAP	1
	1-09252-0430	GUM CAP	1
	1-23951-0050	PACKING	1

0-23000-7841 STARTING MOTOR

OEM CUSTOMER	KOMATSU	OEM PARTS NUMBER	600-813-3623
NOMINAL OUT PUT	24V 7.5Kw	SUPPLY TERM	02.06~
WEIGHT	18kg	SWITCH	SAFETY RELAY (INSTALLED ON RIGHT)
ENGINE MODEL	SA6D170E-2B, OTHERS		
VEHICLE	PC1000-1, OTHERS		
DESIGN RECORD	6550 → 6551	SEALS CHANGED	
	6551 → 6552	REAR BRACKET CHANGED (METAL→BEARING)	
	6552 → 6553	SFR CHANGED	
	6552 → 7840	SFR CHANGED	
	7840 → 7841	JUMP START PROTECTION, SFR & MAG.SWITCH CHANGED	
NOTE	WATER PROOF OIL PROOF φ114		

0-23000-7841 STARTING MOTOR (MAKER PART NO 600-813-3623)

No	Parts Number	Maker Parts No	Description	Qty	List Price	Note
1	0-23100-0231		ARMATURE CO	1		
1-1	1-0456-62047		BALL BEARING	1		FRONT
1-2	1-0456-62007		BALL BEARING	1		REAR
2	0-23200-1120		YOKE ASSY	1		INC. 2 PCS EACH OF 7-4 & 7-6
3	0-23300-0266		FRONT BRACKET ASSY	1		INCLUDING 3-1, 3-2
3-1	7-23351-0085		METAL	1		FRONT
3-2	1-23761-0010		COVER	1		
3-3	1-0240-06305		BOLT	6		
4	7-23120-0090		SHAFT ASSY	1		INCLUDING 4-1
4-1	1-0456-60067		BALL BEARING	1		CENTER
4-2	1-23181-0020		PINION STOPPER	1		
4-3	1-23914-0020		CLIP RING	1		
5	1-23500-0164		O.R.CLUTCH ASSY	1		
6	0-23600-0270		CENTER BRACKET ASSY	1		INCLUDING OIL SEAL
6-1	1-23611-0080		CENTER BRACKET	1		
6-2	7-23320-0120		SHIFT LEVER ASSY	1		
6-3	7-47100-0250		MAG.SWITCH ASSY	1		
6-4	1-0240-08045		BOLT	3		
6-5	0-0274-06202		BOLT	3		
7-1	0-23711-0221		REAR BRACKET	1		
7-2	7-23750-0024		BRUSH HOLDER CO	1		INCLUDING 7-3, 7-4, 7-6
7-3	1-23913-0040		BRUSH SPRING	4		
7-4	1-23740-0354		BRUSH CO	4		
7-5	0-09001-4380		BOLT	2		THROUGH BOLT
7-6	1-25922-2800		PLATE	4		
7-7	0-09001-4181		BOLT	2		
8	0-25000-9250		SWITCH	1		
8-1	0-0270-06602		BOLT	1		
8-2	1-47927-0940		HOLDER	1		
#2	1-23921-0130		WASHER	1		
#3	1-23921-0140		WASHER	1		FOR ADJUSTMENT
#4	1-23941-0040		INSULATE WASHER	1		
#5	0-23921-0230		WASHER	2		FOR ADJUSTMENT
※	7-09210-2870		SEAL ASSY	1		
△	7-47761-0010		MAG.SWITCH COVER ASSY	1		
□	7-47761-0030		SWITCH COVER ASSY	1		



0-23000-7841

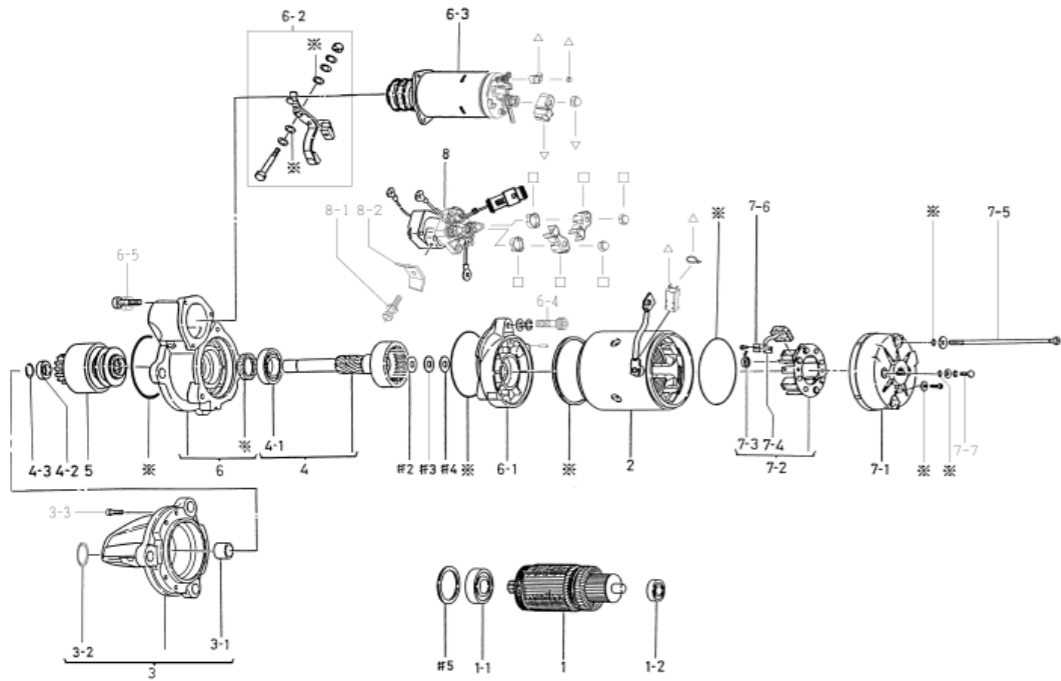
※	7-09210-2870	SEAL ASSY	
	1-0345-05001	SEAL WASHER	1
	1-0345-08001	SEAL WASHER	2
	1-23951-0051	PACKING	1
	1-09210-1060	OIL SEAL	1
	1-0505-00501	O RING	2
	1-0505-00601	O RING	2
	1-09211-0981	O RING	2
	1-09211-1120	O RING	1

0-23000-7845 STARTING MOTOR

OEM CUSTOMER	KOMATSU	OEM PARTS NUMBER	600-813-3624
NOMINAL OUT PUT	24V 7.5Kw	SUPPLY TERM	15.06~
WEIGHT	18kg	SWITCH	SAFETY RELAY (INSTALLED ON RIGHT)
ENGINE MODEL	SA6D170E-2B, OTHERS		
VEHICLE	PC1000-1, OTHERS		
DESIGN RECORD	6550 → 6551	SEALS CHANGED	
	6551 → 6552	REAR BRACKET CHANGED (METAL→BEARING)	
	6552 → 6553	SFR CHANGED	
	6552 → 7840	SFR CHANGED	
	7840 → 7841	JUMP START PROTECTION, SFR & MAG.SWITCH CHANGED	
7841 → 7845	CAUTION PLATE CHANGED		
NOTE	WATER PROOF OIL PROOF φ 114		

0-23000-7845 STARTING MOTOR (MAKER PART NO 600-813-3624)

No	Parts Number	Maker Parts No	Description	Qty	List Price	Note
1	0-23100-0231		ARMATURE CO	1		
1-1	1-0456-62047		BALL BEARING	1		FRONT
1-2	1-0456-62007		BALL BEARING	1		REAR
2	0-23200-1120		YOKE ASSY	1		INC. 2 PCS EACH OF 7-4 & 7-6
3	0-23300-0266		FRONT BRACKET ASSY	1		INCLUDING 3-1, 3-2
3-1	7-23351-0085		METAL	1		FRONT
3-2	1-23761-0010		COVER	1		
3-3	1-0240-06305		BOLT	6		
4	7-23120-0090		SHAFT ASSY	1		INCLUDING 4-1
4-1	1-0456-60067		BALL BEARING	1		CENTER
4-2	1-23181-0020		PINION STOPPER	1		
4-3	1-23914-0020		CLIP RING	1		
5	1-23500-0164		O.R.CLUTCH ASSY	1		
6	0-23600-0270		CENTER BRACKET ASSY	1		INCLUDING OIL SEAL
6-1	1-23611-0080		CENTER BRACKET	1		
6-2	7-23320-0120		SHIFT LEVER ASSY	1		
6-3	7-47100-0254		MAG.SWITCH ASSY	1		
6-4	1-0240-08045		BOLT	3		
6-5	0-0274-06202		BOLT	3		
7-1	0-23711-0221		REAR BRACKET	1		
7-2	7-23750-0024		BRUSH HOLDER CO	1		INCLUDING 7-3, 7-4, 7-6
7-3	1-23913-0040		BRUSH SPRING	4		
7-4	1-23740-0354		BRUSH CO	4		
7-5	0-09001-4380		BOLT	2		THROUGH BOLT
7-6	1-25922-2800		PLATE	4		
7-7	0-09001-4181		BOLT	2		
8	0-25000-9250		SWITCH	1		
8-1	0-0270-06602		BOLT	1		
8-2	1-47927-0940		HOLDER	1		
#2	1-23921-0130		WASHER	1		
#3	1-23921-0140		WASHER	1		FOR ADJUSTMENT
#4	1-23941-0040		INSULATE WASHER	1		
#5	0-23921-0230		WASHER	2		FOR ADJUSTMENT
※	7-09210-2870		SEAL ASSY	1		
△	7-47761-0010		MAG.SWITCH COVER ASSY	1		
□	7-47761-0030		SWITCH COVER ASSY	1		



0-23000-7845

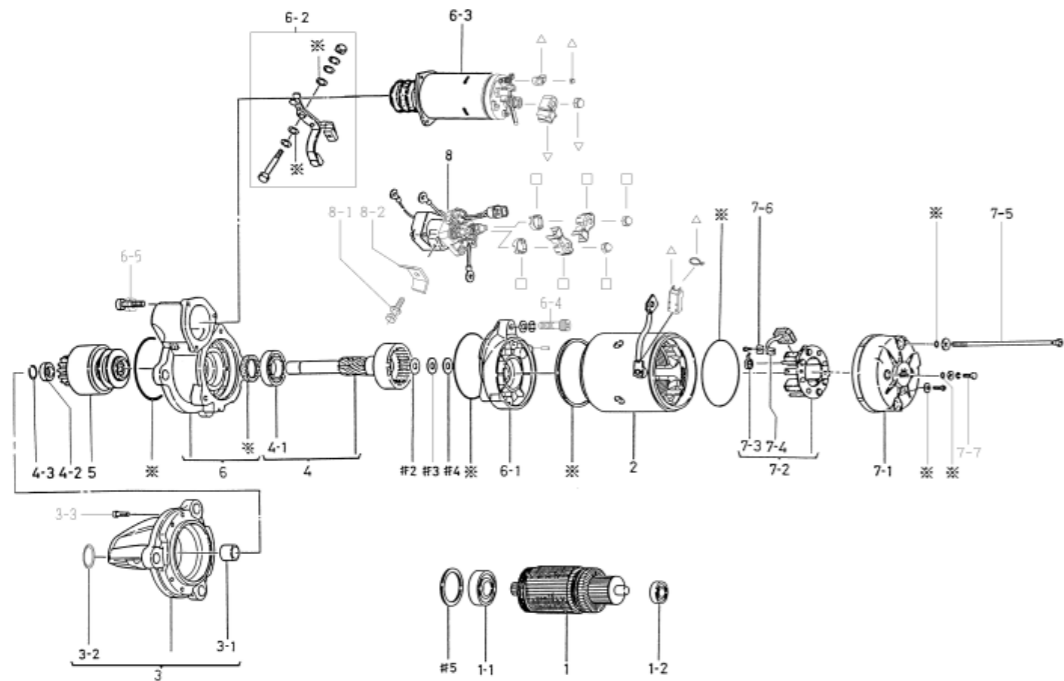
※	7-09210-2870	SEAL ASSY	
	1-0345-05001	SEAL WASHER	1
	1-0345-08001	SEAL WASHER	2
	1-23951-0051	PACKING	1
	1-09210-1060	OIL SEAL	1
	1-0505-00501	O RING	2
	1-0505-00601	O RING	2
	1-09211-0981	O RING	2
	1-09211-1120	O RING	1

0-23000-7861 STARTING MOTOR

OEM CUSTOMER	KOMATSU	OEM PARTS NUMBER	600-813-4933
NOMINAL OUT PUT	24V 7.5Kw	SUPPLY TERM	02.06~
WEIGHT	18kg	SWITCH	SAFETY RELAY (INSTALLED ON RIGHT)
ENGINE MODEL	SA12V140, OTHERS		
VEHICLE	WD900-3, OTHERS		
DESIGN RECORD	7000 → 7001	FRONT METAL CHANGED	
	7001 → 7002	SEALS CHANGED	
	7002 → 7860	SFR CHANGED	
	7860 → 7861	JUMP START PROTECTION, SFR & MAG.SWITCH CHANGED	
NOTE	WATER PROOF OIL PROOF φ114 PARALLEL RUNNING SPECIFICATION		

0-23000-7861 STARTING MOTOR (MAKER PART NO 600-813-4933)

No	Parts Number	Maker Parts No	Description	Qty	List Price	Note
1	0-23100-0231		ARMATURE CO	1		
1-1	1-0456-62047		BALL BEARING	1		FRONT
1-2	1-0456-62007		BALL BEARING	1		REAR
2	0-23200-1120		YOKE ASSY	1		INC. 2 PCS EACH OF 7-4 & 7-6
3	0-23300-0266		FRONT BRACKET ASSY	1		INCLUDING 3-1, 3-2
3-1	7-23351-0085		METAL	1		FRONT
3-2	1-23761-0010		COVER	1		
3-3	1-0240-06305		BOLT	6		
4	7-23120-0090		SHAFT ASSY	1		INCLUDING 4-1
4-1	1-0456-60067		BALL BEARING	1		CENTER
4-2	1-23181-0020		PINION STOPPER	1		
4-3	1-23914-0020		CLIP RING	1		
5	1-23500-0164		O.R.CLUTCH ASSY	1		
6	0-23600-0270		CENTER BRACKET ASSY	1		INCLUDING OIL SEAL
6-1	1-23611-0080		CENTER BRACKET	1		
6-2	7-23320-0120		SHIFT LEVER ASSY	1		
6-3	7-47100-0250		MAG.SWITCH ASSY	1		
6-4	1-0240-08405		BOLT	3		
6-5	0-0274-06202		BOLT	3		
7-1	0-23711-0221		REAR BRACKET	1		
7-2	7-23750-0024		BRUSH HOLDER CO	1		INCLUDING 7-3, 7-4, 7-6
7-3	1-23913-0040		BRUSH SPRING	4		
7-4	1-23740-0354		BRUSH CO	4		
7-5	0-09001-4380		BOLT	2		THROUGH BOLT
7-6	1-25922-2800		PLATE	4		
7-7	0-09001-4181		BOLT	2		
8	0-25000-8342		SWITCH	1		
8-1	0-0270-06602		BOLT	1		
8-2	1-47927-0940		HOLDER	1		
#2	1-23921-0130		WASHER	1		
#3	1-23921-0140		WASHER	1		FOR ADJUSTMENT
#4	1-23941-0040		INSULATE WASHER	1		
#5	0-23921-0230		WASHER	1		FOR ADJUSTMENT
※	7-09210-2870		SEAL ASSY	1		
△	7-47761-0010		MAG.SWITCH COVER ASSY	1		
□	7-47761-0030		SWITCH COVER ASSY	1		



0-23000-7861

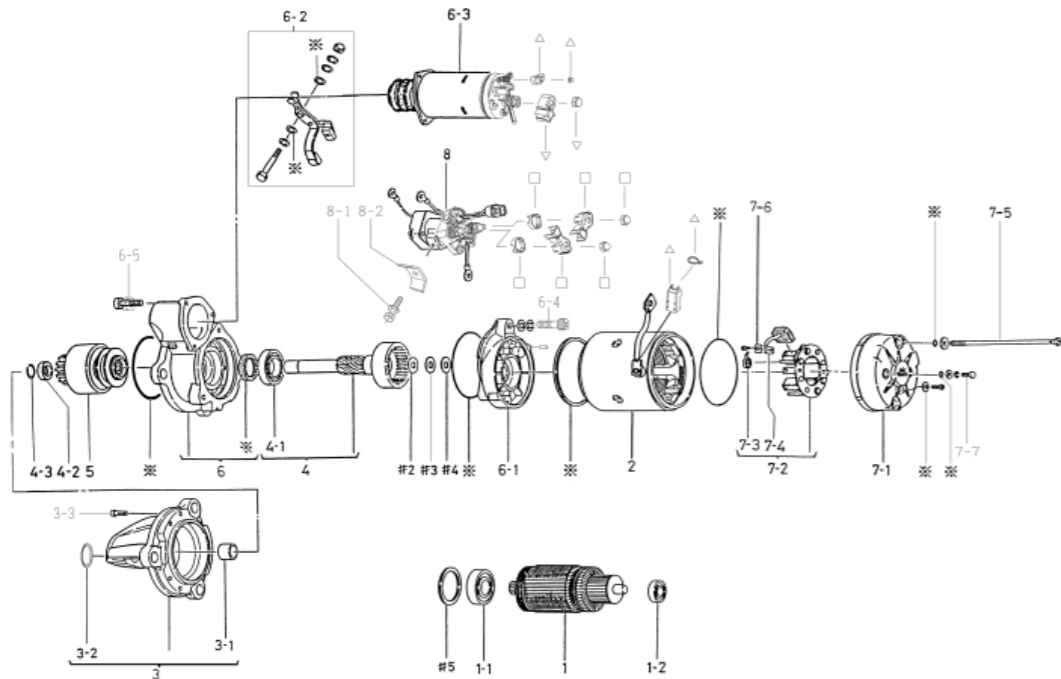
※	7-09210-2870	SEAL ASSY	
	1-0345-05001	SEAL WASHER	1
	1-0345-08001	SEAL WASHER	2
	1-23951-0051	PACKING	1
	1-09210-1060	OIL SEAL	1
	1-0505-00501	O RING	2
	1-0505-00601	O RING	2
	1-09211-0981	O RING	2
	1-09211-1120	O RING	1

0-23000-7865 STARTING MOTOR

OEM CUSTOMER	KOMATSU	OEM PARTS NUMBER	600-813-4934
NOMINAL OUT PUT	24V 7.5Kw	SUPPLY TERM	15.06~
WEIGHT	18kg	SWITCH	SAFETY RELAY (INSTALLED ON RIGHT)
ENGINE MODEL	SA12V140, OTHERS		
VEHICLE	WD900-3, OTHERS		
DESIGN RECORD	7000 → 7001	FRONT METAL CHANGED	
	7001 → 7002	SEALS CHANGED	
	7002 → 7860	SFR CHANGED	
	7860 → 7861	JUMP START PROTECTION, SFR & MAG.SWITCH CHANGED	
	7861 → 7865	CAUTION PLATE CHANGED	
NOTE	WATER PROOF OIL PROOF φ114 PARALLEL RUNNING SPECIFICATION		

0-23000-7865 STARTING MOTOR (MAKER PART NO 600-813-4934)

No	Parts Number	Maker Parts No	Description	Qty	List Price	Note
1	0-23100-0231		ARMATURE CO	1		
1-1	1-0456-62047		BALL BEARING	1		FRONT
1-2	1-0456-62007		BALL BEARING	1		REAR
2	0-23200-1120		YOKE ASSY	1		INC. 2 PCS EACH OF 7-4 & 7-6
3	0-23300-0266		FRONT BRACKET ASSY	1		INCLUDING 3-1, 3-2
3-1	7-23351-0085		METAL	1		FRONT
3-2	1-23761-0010		COVER	1		
3-3	1-0240-06305		BOLT	6		
4	7-23120-0090		SHAFT ASSY	1		INCLUDING 4-1
4-1	1-0456-60067		BALL BEARING	1		CENTER
4-2	1-23181-0020		PINION STOPPER	1		
4-3	1-23914-0020		CLIP RING	1		
5	1-23500-0164		O.R.CLUTCH ASSY	1		
6	0-23600-0270		CENTER BRACKET ASSY	1		INCLUDING OIL SEAL
6-1	1-23611-0080		CENTER BRACKET	1		
6-2	7-23320-0120		SHIFT LEVER ASSY	1		
6-3	7-47100-0254		MAG.SWITCH ASSY	1		
6-4	1-0240-08405		BOLT	3		
6-5	0-0274-06202		BOLT	3		
7-1	0-23711-0221		REAR BRACKET	1		
7-2	7-23750-0024		BRUSH HOLDER CO	1		INCLUDING 7-3, 7-4, 7-6
7-3	1-23913-0040		BRUSH SPRING	4		
7-4	1-23740-0354		BRUSH CO	4		
7-5	0-09001-4380		BOLT	2		THROUGH BOLT
7-6	1-25922-2800		PLATE	4		
7-7	0-09001-4181		BOLT	2		
8	0-25000-8342		SWITCH	1		
8-1	0-0270-06602		BOLT	1		
8-2	1-47927-0940		HOLDER	1		
#2	1-23921-0130		WASHER	1		
#3	1-23921-0140		WASHER	1		FOR ADJUSTMENT
#4	1-23941-0040		INSULATE WASHER	1		
#5	0-23921-0230		WASHER	1		FOR ADJUSTMENT
※	7-09210-2870		SEAL ASSY	1		
△	7-47761-0010		MAG.SWITCH COVER ASSY	1		
□	7-47761-0030		SWITCH COVER ASSY	1		

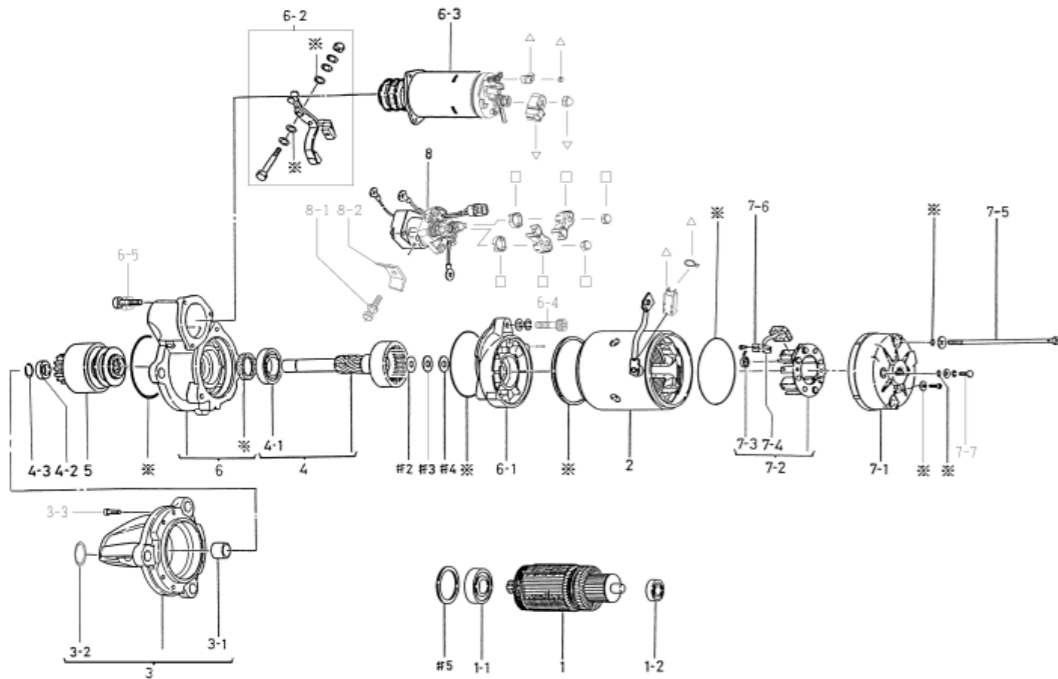


0-23000-7865

※	7-09210-2870	SEAL ASSY	
	1-0345-05001	SEAL WASHER	1
	1-0345-08001	SEAL WASHER	2
	1-23951-0051	PACKING	1
	1-09210-1060	OIL SEAL	1
	1-0505-00501	O RING	2
	1-0505-00601	O RING	2
	1-09211-0981	O RING	2
	1-09211-1120	O RING	1

0-23000-7871 STARTING MOTOR

OEM CUSTOMER	KOMATSU	OEM PARTS NUMBER	600-813-7522
NOMINAL OUT PUT	24V 7.5Kw	SUPPLY TERM	02.06~
WEIGHT	18kg	SWITCH	SAFETY RELAY (INSTALLED ON RIGHT)
ENGINE MODEL	SAA6D170E-2D		
VEHICLE	PC1100-6		
DESIGN RECORD	7004 → 7870 SFR CHANGED 7870 → 7871 JUMP START PROTECTION, SFR & MAG.SWITCH CHANGED		
NOTE	WATER PROOF OIL PROOF φ114		



0-23000-7871

0-23000-7871 STARTING MOTOR (MAKER PART NO 600-813-7522)

No	Parts Number	Maker Parts No	Description	Qty	List Price	Note
1	0-23100-0231		ARMATURE CO	1		
1-1	1-0456-62047		BALL BEARING	1		FRONT
1-2	1-0456-62007		BALL BEARING	1		REAR
2	0-23200-1120		YOKE ASSY	1		INC. 2 PCS EACH OF 7-4 & 7-6
3	0-23300-0266		FRONT BRACKET ASSY	1		INCLUDING 3-1, 3-2
3-1	7-23351-0085		METAL	1		FRONT
3-2	1-23761-0010		COVER	1		
3-3	1-0240-06305		BOLT	6		
4	7-23120-0090		SHAFT ASSY	1		INCLUDING 4-1
4-1	1-0456-60067		BALL BEARING	1		CENTER
4-2	1-23181-0020		PINION STOPPER	1		
4-3	1-23914-0020		CLIP RING	1		
5	1-23500-0164		O.R.CLUTCH ASSY	1		
6	0-23600-0270		CENTER BRACKET ASSY	1		INCLUDING OIL SEAL
6-1	1-23611-0080		CENTER BRACKET	1		
6-2	7-23320-0120		SHIFT LEVER ASSY	1		
6-3	7-47100-0250		MAG.SWITCH ASSY	1		
6-4	1-0240-08405		BOLT	3		
6-5	0-0274-06202		BOLT	3		
7-1	0-23711-0221		REAR BRACKET	1		
7-2	7-23750-0024		BRUSH HOLDER CO	1		INCLUDING 7-3, 7-4, 7-6
7-3	1-23913-0040		BRUSH SPRING	4		
7-4	1-23740-0354		BRUSH CO	4		
7-5	0-09001-4380		BOLT	2		THROUGH BOLT
7-6	1-25922-2800		PLATE	4		
7-7	0-09001-4181		BOLT	2		
8	0-25000-8412		SWITCH	1		
8-1	0-0270-06602		BOLT	1		
8-2	1-47927-0940		HOLDER	1		
#2	1-23921-0130		WASHER	1		
#3	1-23921-0140		WASHER	1		FOR ADJUSTMENT
#4	1-23941-0040		INSULATE WASHER	1		
#5	0-23921-0230		WASHER	1		FOR ADJUSTMENT
※	7-09210-2870		SEAL ASSY	1		
△	7-47761-0010		MAG.SWITCH COVER ASSY	1		
□	7-47761-0030		SWITCH COVER ASSY	1		

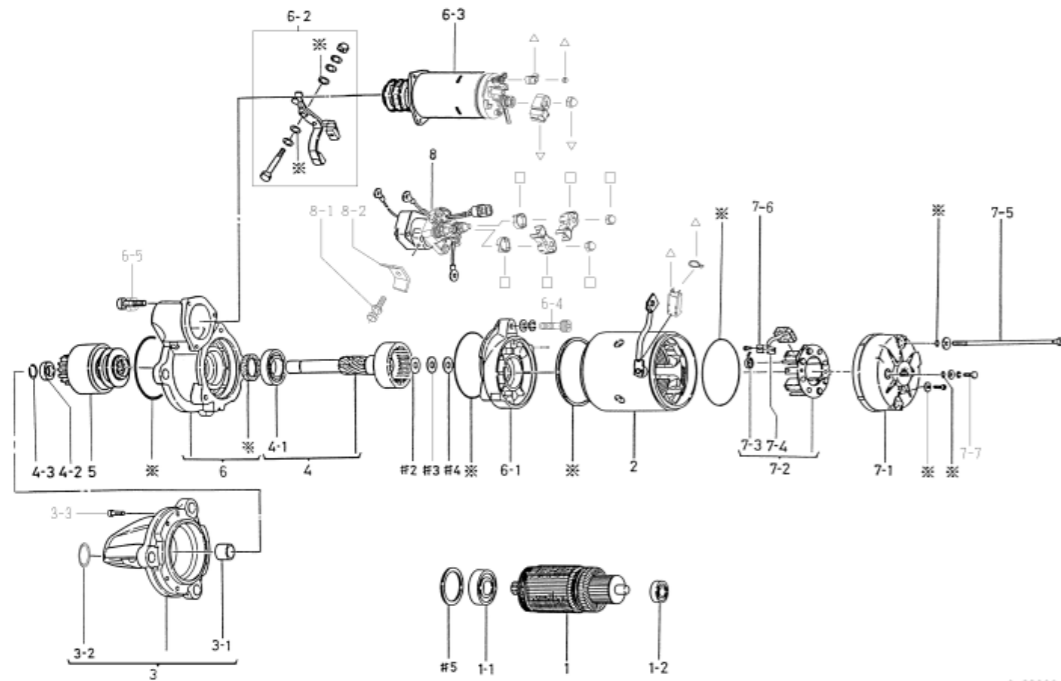
※	7-09210-2870	SEAL ASSY	
	1-0345-05001	SEAL WASHER	1
	1-0345-08001	SEAL WASHER	2
	1-23951-0051	PACKING	1
	1-09210-1060	OIL SEAL	1
	1-0505-00501	O RING	2
	1-0505-00601	O RING	2
	1-09211-0981	O RING	2
	1-09211-1120	O RING	1

0-23000-7874 STARTING MOTOR

OEM CUSTOMER	KOMATSU	OEM PARTS NUMBER	600-813-7523
NOMINAL OUT PUT	24V 7.5Kw	SUPPLY TERM	02.06~
WEIGHT	18kg	SWITCH	SAFETY RELAY (INSTALLED ON RIGHT)
ENGINE MODEL	SAA6D170E-2D		
VEHICLE	PC1100-6		
DESIGN RECORD	7004 → 7870 SFR CHANGED 7870 → 7871 JUMP START PROTECTION, SFR & MAG.SWITCH CHANGED 7871 → 7874 CAUTION PLATE CHANGED		
NOTE	WATER PROOF OIL PROOF φ114		

0-23000-7874 STARTING MOTOR (MAKER PART NO 600-813-7523)

No	Parts Number	Maker Parts No	Description	Qty	List Price	Note
1	0-23100-0231		ARMATURE CO	1		
1-1	1-0456-62047		BALL BEARING	1		FRONT
1-2	1-0456-62007		BALL BEARING	1		REAR
2	0-23200-1120		YOKE ASSY	1		INC. 2 PCS EACH OF 7-4 & 7-6
3	0-23300-0266		FRONT BRACKET ASSY	1		INCLUDING 3-1, 3-2
3-1	7-23351-0085		METAL	1		FRONT
3-2	1-23761-0010		COVER	1		
3-3	1-0240-06305		BOLT	6		
4	7-23120-0090		SHAFT ASSY	1		INCLUDING 4-1
4-1	1-0456-60067		BALL BEARING	1		CENTER
4-2	1-23181-0020		PINION STOPPER	1		
4-3	1-23914-0020		CLIP RING	1		
5	1-23500-0164		O.R.CLUTCH ASSY	1		
6	0-23600-0270		CENTER BRACKET ASSY	1		INCLUDING OIL SEAL
6-1	1-23611-0080		CENTER BRACKET	1		
6-2	7-23320-0120		SHIFT LEVER ASSY	1		
6-3	7-47100-0254		MAG.SWITCH ASSY	1		
6-4	1-0240-08405		BOLT	3		
6-5	0-0274-06202		BOLT	3		
7-1	0-23711-0221		REAR BRACKET	1		
7-2	7-23750-0024		BRUSH HOLDER CO	1		INCLUDING 7-3, 7-4, 7-6
7-3	1-23913-0040		BRUSH SPRING	4		
7-4	1-23740-0354		BRUSH CO	4		
7-5	0-09001-4380		BOLT	2		THROUGH BOLT
7-6	1-25922-2800		PLATE	4		
7-7	0-09001-4181		BOLT	2		
8	0-25000-8412		SWITCH	1		
8-1	0-0270-06602		BOLT	1		
8-2	1-47927-0940		HOLDER	1		
#2	1-23921-0130		WASHER	1		
#3	1-23921-0140		WASHER	1		FOR ADJUSTMENT
#4	1-23941-0040		INSULATE WASHER	1		
#5	0-23921-0230		WASHER	1		FOR ADJUSTMENT
※	7-09210-2870		SEAL ASSY	1		
△	7-47761-0010		MAG.SWITCH COVER ASSY	1		
□	7-47761-0030		SWITCH COVER ASSY	1		



0-23000-7874

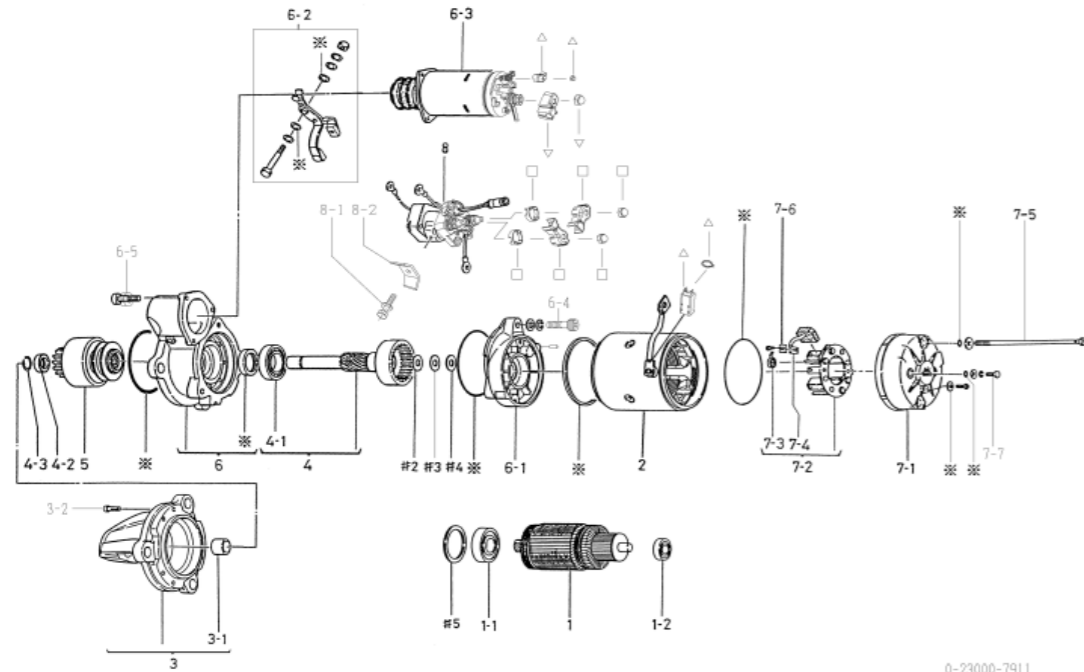
※	7-09210-2870	SEAL ASSY	
	1-0345-05001	SEAL WASHER	1
	1-0345-08001	SEAL WASHER	2
	1-23951-0051	PACKING	1
	1-09210-1060	OIL SEAL	1
	1-0505-00501	O RING	2
	1-0505-00601	O RING	2
	1-09211-0981	O RING	2
	1-09211-1120	O RING	1

0-23000-7911 STARTING MOTOR

OEM CUSTOMER	KOMATSU	OEM PARTS NUMBER	600-813-3662
NOMINAL OUT PUT	24V 7.5Kw	SUPPLY TERM	02.06~
WEIGHT	18kg	SWITCH	SAFETY RELAY (INSTALLED ON RIGHT)
ENGINE MODEL	S6D105		
VEHICLE	PC220, PC220-3, OTHERS		
DESIGN RECORD	6510 → 6512 REAR BRACKET CHANGED (METAL→BEARING) 6512 → 6513 SFR CHANGED 6513 → 7910 SFR CHANGED 7910 → 7911 JUMP START PROTECTION, SFR & MAG.SWITCH CHANGED		
NOTE	WATER PROOF OIL PROOF φ114		

0-23000-7911 STARTING MOTOR (MAKER PART NO 600-813-3662)

No	Parts Number	Maker Parts No	Description	Qty	List Price	Note
1	0-23100-0231		ARMATURE CO	1		
1-1	1-0456-62047		BALL BEARING	1		FRONT
1-2	1-0456-62007		BALL BEARING	1		REAR
2	0-23200-1120		YOKE ASSY	1		INC. 2 PCS EACH OF 7-4 & 7-6
3	1-23310-0425		F.BRACKET CO	1		INCLUDING 3-1
3-1	7-23351-0085		METAL	1		FRONT
3-2	1-0240-06255		BOLT	6		
4	7-23120-0090		SHAFT ASSY	1		INCLUDING 4-1
4-1	1-0456-60067		BALL BEARING	1		CENTER
4-2	1-23181-0020		PINION STOPPER	1		
4-3	1-23914-0020		CLIP RING	1		
5	1-23500-0190		O.R.CLUTCH ASSY	1		
6	1-23600-0080		CENTER BRACKET ASSY	1		INCLUDING OIL SEAL
6-1	1-23611-0080		CENTER BRACKET	1		
6-2	7-23320-0120		SHIFT LEVER ASSY	1		
6-3	7-47100-0250		MAG.SWITCH ASSY	1		
6-4	1-0240-08405		BOLT	3		
6-5	0-0274-06202		BOLT	3		
7-1	0-23711-0221		REAR BRACKET	1		
7-2	7-23750-0024		BRUSH HOLDER CO	1		INCLUDING 7-3, 7-4, 7-6
7-3	1-23913-0040		BRUSH SPRING	4		
7-4	1-23740-0354		BRUSH CO	4		
7-5	0-23901-0030		BOLT	2		THROUGH BOLT
7-6	1-25922-2800		PLATE	4		
7-7	0-09001-4181		BOLT	2		
8	0-25000-9250		SWITCH	1		
8-1	0-0270-06602		BOLT	1		
8-2	1-47927-0940		HOLDER	1		
#2	1-23921-0130		WASHER	1		
#3	1-23921-0140		WASHER	1		FOR ADJUSTMENT
#4	1-23941-0040		INSULATE WASHER	1		
#5	0-23921-0230		ARMATURE CO	1		FOR ADJUSTMENT
※	7-09210-2880		SEAL ASSY	1		
△	7-47761-0010		MAG.SWITCH COVER ASSY	1		
□	7-47761-0030		SWITCH COVER ASSY	1		



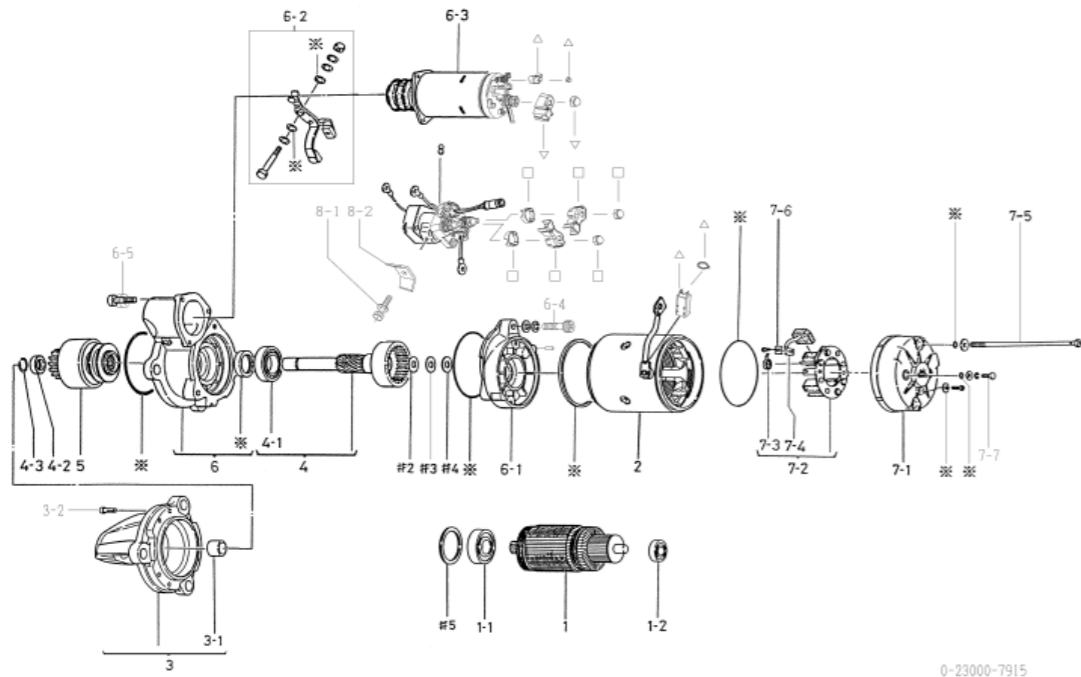
※	7-09210-2880	SEAL ASSY	
	1-0345-05001	SEAL WASHER	1
	1-0345-08001	SEAL WASHER	2
	1-23951-0050	PACKING	1
	1-09210-1040	OIL SEAL	1
	1-0505-00501	O RING	2
	1-0505-00601	O RING	2
	1-09211-0980	O RING	2
	1-09211-1120	O RING	1

0-23000-7915 STARTING MOTOR

OEM CUSTOMER	KOMATSU	OEM PARTS NUMBER	600-813-3663
NOMINAL OUT PUT	24V 7.5Kw	SUPPLY TERM	15.06~
WEIGHT	18kg	SWITCH	SAFETY RELAY (INSTALLED ON RIGHT)
ENGINE MODEL	S6D105		
VEHICLE	PC220, PC220-3, OTHERS		
DESIGN RECORD	6510 → 6512	REAR BRACKET CHANGED (METAL→BEARING)	
	6512 → 6513	SFR CHANGED	
	6513 → 7910	SFR CHANGED	
	7910 → 7911	JUMP START PROTECTION, SFR & MAG.SWITCH CHANGED	
	7911 → 7915	CAUTION PLATE CHANGED	
NOTE	WATER PROOF OIL PROOF ϕ 114		

0-23000-7915 STARTING MOTOR (MAKER PART NO 600-813-3663)

No	Parts Number	Maker Parts No	Description	Qty	List Price	Note
1	0-23100-0231		ARMATURE CO	1		
1-1	1-0456-62047		BALL BEARING	1		FRONT
1-2	1-0456-62007		BALL BEARING	1		REAR
2	0-23200-1120		YOKE ASSY	1		INC. 2 PCS EACH OF 7-4 & 7-6
3	1-23310-0425		F.BRACKET CO	1		INCLUDING 3-1
3-1	7-23351-0085		METAL	1		FRONT
3-2	1-0240-06255		BOLT	6		
4	7-23120-0090		SHAFT ASSY	1		INCLUDING 4-1
4-1	1-0456-60067		BALL BEARING	1		CENTER
4-2	1-23181-0020		PINION STOPPER	1		
4-3	1-23914-0020		CLIP RING	1		
5	1-23500-0194		O.R.CLUTCH ASSY	1		
6	1-23600-0080		CENTER BRACKET ASSY	1		INCLUDING OIL SEAL
6-1	1-23611-0080		CENTER BRACKET	1		
6-2	7-23320-0120		SHIFT LEVER ASSY	1		
6-3	7-47100-0254		MAG.SWITCH ASSY	1		
6-4	1-0240-08405		BOLT	3		
6-5	0-0274-06202		BOLT	3		
7-1	0-23711-0221		REAR BRACKET	1		
7-2	7-23750-0024		BRUSH HOLDER CO	1		INCLUDING 7-3, 7-4, 7-6
7-3	1-23913-0040		BRUSH SPRING	4		
7-4	1-23740-0354		BRUSH CO	4		
7-5	0-23901-0030		BOLT	2		THROUGH BOLT
7-6	1-25922-2800		PLATE	4		
7-7	0-09001-4181		BOLT	2		
8	0-25000-9250		SWITCH	1		
8-1	0-0270-06602		BOLT	1		
8-2	1-47927-0940		HOLDER	1		
#2	1-23921-0130		WASHER	1		
#3	1-23921-0140		WASHER	1		FOR ADJUSTMENT
#4	1-23941-0040		INSULATE WASHER	1		
#5	0-23921-0230		ARMATURE CO	1		FOR ADJUSTMENT
※	7-09210-2880		SEAL ASSY	1		
△	7-47761-0010		MAG.SWITCH COVER ASSY	1		
□	7-47761-0030		SWITCH COVER ASSY	1		



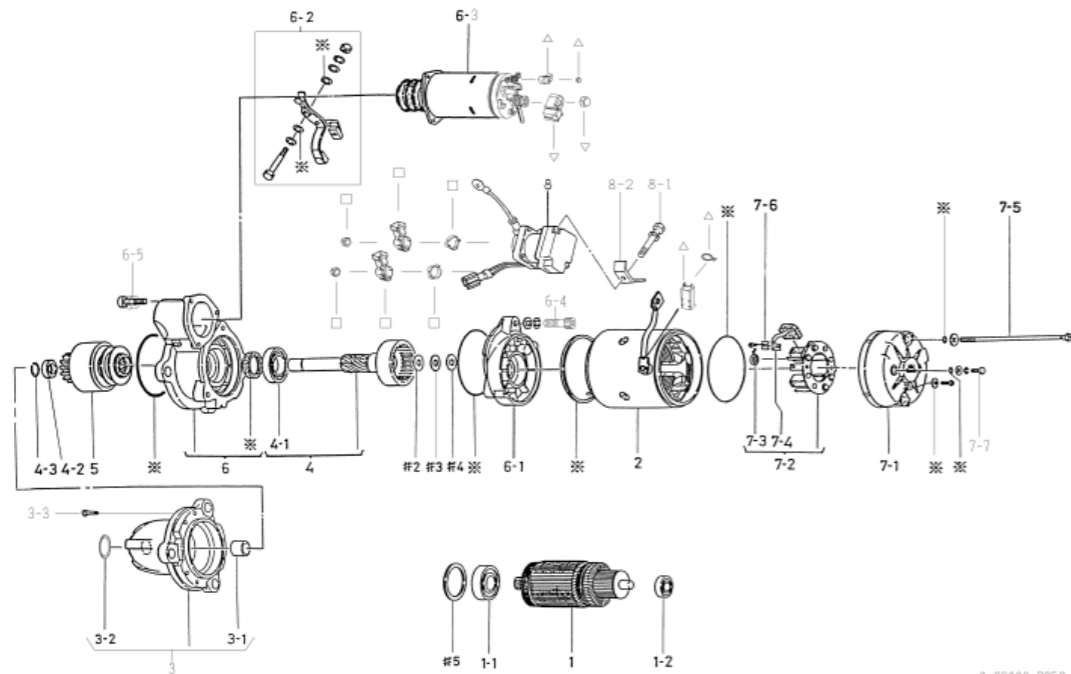
※	7-09210-2880	SEAL ASSY	
	1-0345-05001	SEAL WASHER	1
	1-0345-08001	SEAL WASHER	2
	1-23951-0050	PACKING	1
	1-09210-1040	OIL SEAL	1
	1-0505-00501	O RING	2
	1-0505-00601	O RING	2
	1-09211-0980	O RING	2
	1-09211-1120	O RING	1

0-23000-7952 STARTING MOTOR

OEM CUSTOMER	KOMATSU	OEM PARTS NUMBER	600-813-7152
NOMINAL OUT PUT	24V 7.5Kw	SUPPLY TERM	02.06~
WEIGHT	18kg	SWITCH	SAFETY RELAY (INSTALLED ON LEFT)
ENGINE MODEL	S6D170E-3, OTHERS		
VEHICLE	D375A-5, OTHERS		
DESIGN RECORD	7950 → 7951	SFR CHANGED	
	7951 → 7952	JUMP START PROTECTION, SFR & MAG.SWITCH CHANGED	
NOTE	WATER PROOF OIL PROOF φ114 SEALS OF 0-23000-7162 CHANGED (HEAT RESISTANT TYPE)		

0-23000-7952 STARTING MOTOR (MAKER PART NO 600-813-7152)

No	Parts Number	Maker Parts No	Description	Qty	List Price	Note
1	0-23100-0231		ARMATURE CO	1		
1-1	1-0456-62047		BALL BEARING	1		FRONT
1-2	1-0456-62007		BALL BEARING	1		REAR
2	0-23200-1120		YOKE ASSY	1		INC. 2 PCS EACH OF 7-4 & 7-6
3	0-23300-0275		F.BRACKET ASSY	1		INCLUDING 3-1, 3-2
3-1	7-23351-0085		METAL	1		FRONT
3-2	1-23761-0010		COVER	1		
3-3	1-0240-06305		BOLT	6		
4	7-23120-0090		SHAFT ASSY	1		INCLUDING 4-1
4-1	1-0456-60067		BALL BEARING	1		CENTER
4-2	1-23181-0020		PINION STOPPER	1		
4-3	1-23914-0020		CLIP RING	1		
5	1-23500-0164		O.R.CLUTCH ASSY	1		
6	0-23600-0270		CENTER BRACKET ASSY	1		INCLUDING OIL SEAL
6-1	1-23611-0080		CENTER BRACKET	1		
6-2	7-23320-0120		SHIFT LEVER ASSY	1		
6-3	7-47100-0250		MAG.SWITCH ASSY	1		
6-4	1-0240-08405		BOLT	3		
6-5	0-0274-06202		BOLT	3		
7-1	0-23711-0221		REAR BRACKET	1		
7-2	7-23750-0024		BRUSH HOLDER CO	1		INCLUDING 7-3, 7-4, 7-6
7-3	1-23913-0040		BRUSH SPRING	4		
7-4	1-23740-0354		BRUSH CO	4		
7-5	0-09001-4380		BOLT	2		THROUGH BOLT
7-6	1-25922-2800		PLATE	4		
7-7	0-09001-4181		BOLT	2		
8	0-25000-8522		SWITCH	1		
8-1	0-0270-06602		BOLT	1		
8-2	1-47927-0940		HOLDER	1		
#2	1-23921-0130		WASHER	1		
#3	1-23921-0140		WASHER	1		FOR ADJUSTMENT
#4	1-23941-0040		INSULATE WASHER	1		
#5	0-23921-0230		WASHER	1		FOR ADJUSTMENT
※	7-09210-2870		SEAL ASSY	1		
△	7-47761-0010		MAG.SWITCH COVER ASSY	1		
□	7-47761-0030		SWITCH COVER ASSY	1		



0-23000-7952

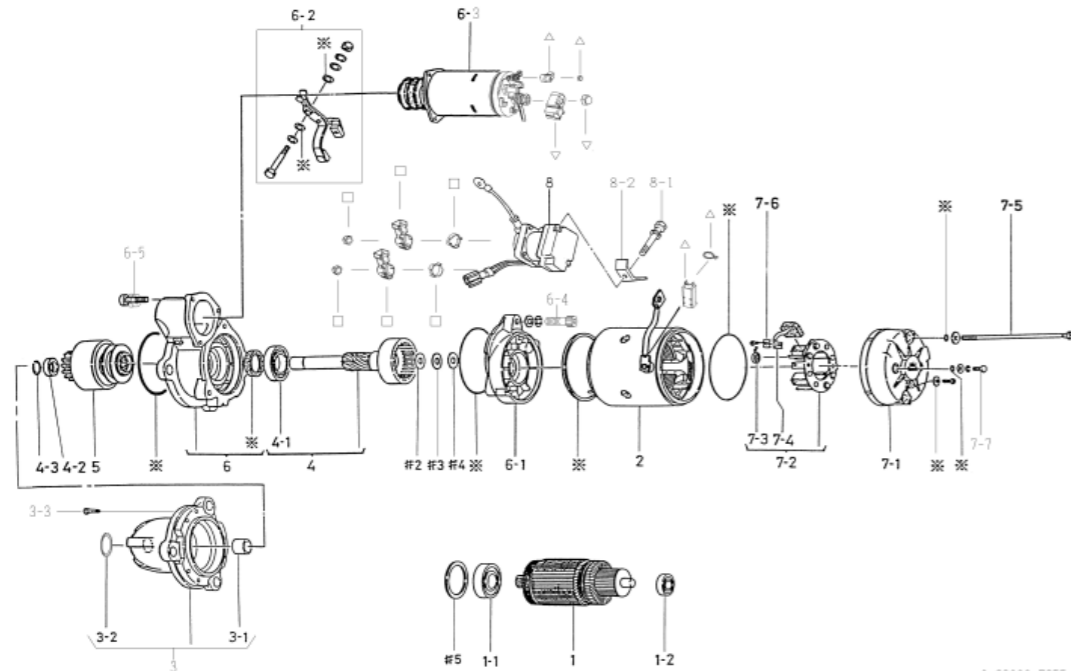
※	7-09210-2870	SEAL ASSY	
	1-0345-05001	SEAL WASHER	1
	1-0345-08001	SEAL WASHER	2
	1-23951-0051	PACKING	1
	1-09210-1060	OIL SEAL	1
	1-0505-00501	O RING	2
	1-0505-00601	O RING	2
	1-09211-0981	O RING	2
	1-09211-1120	O RING	1

0-23000-7955 STARTING MOTOR

OEM CUSTOMER	KOMATSU	OEM PARTS NUMBER	600-813-7153
NOMINAL OUT PUT	24V 7.5Kw	SUPPLY TERM	15.06~
WEIGHT	18kg	SWITCH	SAFETY RELAY (INSTALLED ON LEFT)
ENGINE MODEL	S6D170E-3, OTHERS		
VEHICLE	D375A-5, OTHERS		
DESIGN RECORD	7950 → 7951	SFR CHANGED	
	7951 → 7952	JUMP START PROTECTION, SFR & MAG.SWITCH CHANGED	
	7952 → 7955	CAUTION PLATE CHANGED	
NOTE	WATER PROOF OIL PROOF φ114 SEALS OF 0-23000-7162 CHANGED (HEAT RESISTANT TYPE)		

0-23000-7955 STARTING MOTOR (MAKER PART NO 600-813-7153)

No	Parts Number	Maker Parts No	Description	Qty	List Price	Note
1	0-23100-0231		ARMATURE CO	1		
1-1	1-0456-62047		BALL BEARING	1		FRONT
1-2	1-0456-62007		BALL BEARING	1		REAR
2	0-23200-1120		YOKE ASSY	1		INC. 2 PCS EACH OF 7-4 & 7-6
3	0-23300-0275		F.BRACKET ASSY	1		INCLUDING 3-1, 3-2
3-1	7-23351-0085		METAL	1		FRONT
3-2	1-23761-0010		COVER	1		
3-3	1-0240-06305		BOLT	6		
4	7-23120-0090		SHAFT ASSY	1		INCLUDING 4-1
4-1	1-0456-60067		BALL BEARING	1		CENTER
4-2	1-23181-0020		PINION STOPPER	1		
4-3	1-23914-0020		CLIP RING	1		
5	1-23500-0164		O.R.CLUTCH ASSY	1		
6	0-23600-0270		CENTER BRACKET ASSY	1		INCLUDING OIL SEAL
6-1	1-23611-0080		CENTER BRACKET	1		
6-2	7-23320-0120		SHIFT LEVER ASSY	1		
6-3	7-47100-0254		MAG.SWITCH ASSY	1		
6-4	1-0240-08405		BOLT	3		
6-5	0-0274-06202		BOLT	3		
7-1	0-23711-0221		REAR BRACKET	1		
7-2	7-23750-0024		BRUSH HOLDER CO	1		INCLUDING 7-3, 7-4, 7-6
7-3	1-23913-0040		BRUSH SPRING	4		
7-4	1-23740-0354		BRUSH CO	4		
7-5	0-09001-4380		BOLT	2		THROUGH BOLT
7-6	1-25922-2800		PLATE	4		
7-7	0-09001-4181		BOLT	2		
8	0-25000-8522		SWITCH	1		
8-1	0-0270-06602		BOLT	1		
8-2	1-47927-0940		HOLDER	1		
#2	1-23921-0130		WASHER	1		
#3	1-23921-0140		WASHER	1		FOR ADJUSTMENT
#4	1-23941-0040		INSULATE WASHER	1		
#5	0-23921-0230		WASHER	1		FOR ADJUSTMENT
※	7-09210-2870		SEAL ASSY	1		
△	7-47761-0010		MAG.SWITCH COVER ASSY	1		
□	7-47761-0030		SWITCH COVER ASSY	1		

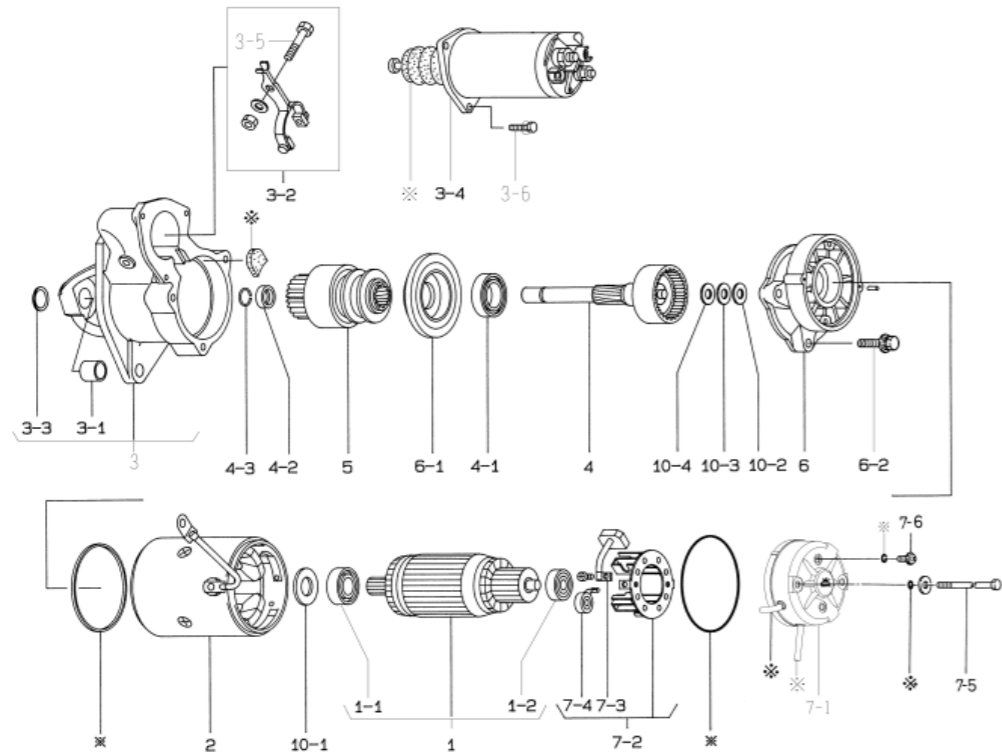


0-23000-7955

※	7-09210-2870	SEAL ASSY	
	1-0345-05001	SEAL WASHER	1
	1-0345-08001	SEAL WASHER	2
	1-23951-0051	PACKING	1
	1-09210-1060	OIL SEAL	1
	1-0505-00501	O RING	2
	1-0505-00601	O RING	2
	1-09211-0981	O RING	2
	1-09211-1120	O RING	1

0-23000-7963 STARTING MOTOR

OEM CUSTOMER	ISUZU	OEM PARTS NUMBER	1-81100420-1
NOMINAL OUT PUT	24V 6Kw	SUPPLY TERM	02.10~
WEIGHT	16kg	SWITCH	SAFETY RELAY (OPTIONAL)
ENGINE MODEL	8PE1		
VEHICLE	LV		
DESIGN RECORD	7960 → 7962 M LEAD CHANGED (TO PREVENT INTERFERENCE) 7962 → 7963 R.BRACKET CHANGED		
NOTE	DRIP PROOF φ114 STARTING MOTOR FOR CNG ENGINE		



0-23000-7963

0-23000-7963 STARTING MOTOR (MAKER PART NO 1-811000420-1)

No	Parts Number	Maker Parts No	Description	Qty	List Price	Note
1	7-23100-0420		ARMATURE CO	1		INCLUDING 1-1, 1-2
1-1	1-0456-62047	1-81129294-0	BALL BEARING	1		FRONT
1-2	1-0456-62007	1-81129196-0	BALL BEARING	1		REAR
2	0-23200-0578		YOKE ASSY	1		INCLUDING 2 PCS OF 7-3
3	0-23310-1536		F.BRACKET CO	1		INCLUDING 3-1, 3-3
3-1	7-23351-0264		METAL	1		FRONT
3-2	1-23320-0080	1-81127047-0	SHIFT LEVER CO	1		INCLUDING 3-5
3-3	1-23761-0010	1-81129305-0	COVER	1		
3-4	0-47100-4540	1-81129835-0	MAG.SWITCH ASSY	1		
3-5	0-23303-0010	1-81129185-0	LEVER PIN	1		
3-6	0-09001-4840	1-81129603-0	BOLT	3		
4	0-23120-0140	1-81123047-0	SHAFT CO	1		
4-1	0-09201-0850	1-81129658-0	BALL BEARING	1		CENTER
4-2	1-23181-0020	1-81129190-0	PINION STOPPER	1		
4-3	1-23914-0020	1-81129189-0	CLIP RING	1		
5	0-23500-0875		O.R.CLUTCH ASSY	1		
6	0-23611-0960	1-81129660-0	CENTER BRACKET	1		
6-1	1-23611-0071	1-81113084-0	CENTER BRACKET	1		
6-2	0-0276-08402	1-81129661-0	BOLT	3		
7-1	0-23710-0270	1-81129942-0	REAR BRACKET	1		
7-2	7-23750-0150	1-81129736-0	BRUSH HOLDER CO	1		INCLUDING 7-3, 7-4
7-3	0-23740-0354	8-97155018-0	BRUSH CO	4		
7-4	1-23913-0040	1-81117016-0	BRUSH SPRING	4		
7-5	0-09001-4380	1-81129665-0	BOLT	2		THROUGH BOLT
7-6	0-09011-3140	1-81129641-0	SCREW	2		
10-1	0-09057-0140	1-81129592-0	WASHER	1		FOR ADJUSTMENT
10-2	1-23941-0040	1-81129295-0	INSULATE WASHER	1		
10-3	1-23921-0140	5-81129159-0	WASHER	1		FOR ADJUSTMENT
10-4	1-23921-0130	5-81129160-0	WASHER	1		
※	7-09210-2690		SEAL ASSY	1		

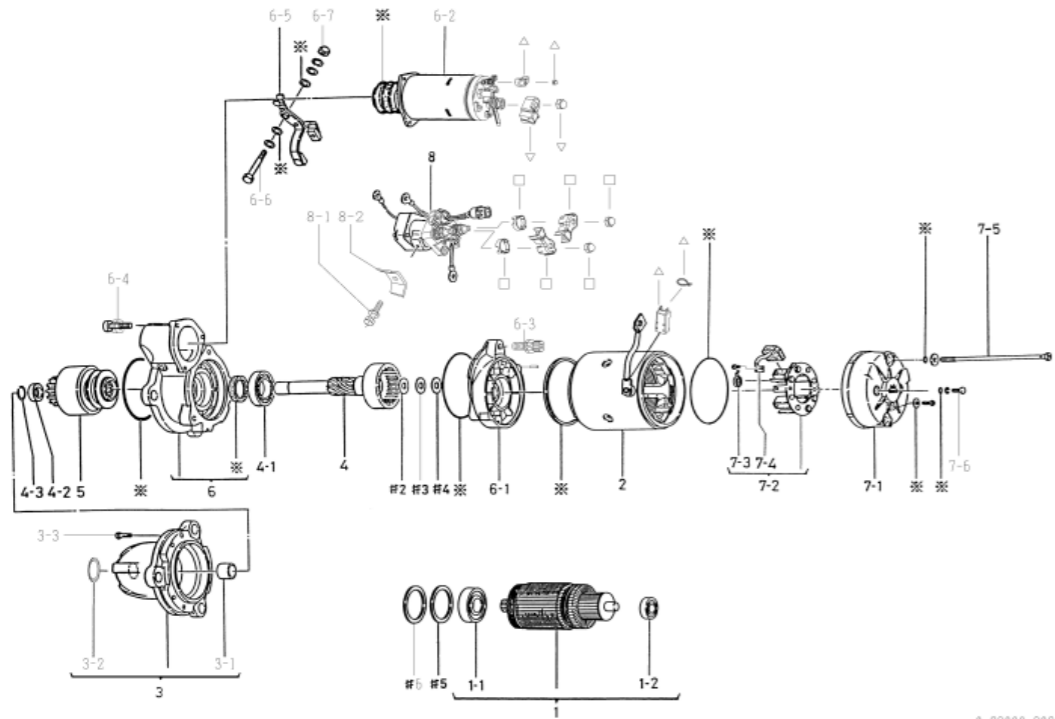
※	7-09210-2690	SEAL ASSY		
	0-23952-0030	GUM CAP	1	
	0-24952-0020	GUM CAP	1	
	0-47952-0371	GUM CAP	1	
	1-09211-0081	O RING	4	
	1-09211-0520	O RING	2	
	1-09211-0571	O RING	1	
	1-09211-1120	O RING	1	
	1-23951-0050	PACKING	1	
	1-23951-0120	PACKING	1	

0-23000-8021 STARTING MOTOR

OEM CUSTOMER	KOMATSU	OEM PARTS NUMBER	600-813-9341
NOMINAL OUT PUT	24V 11Kw	SUPPLY TERM	02.06~
WEIGHT	18kg	SWITCH	SAFETY RELAY (INSTALLED ON RIGHT)
ENGINE MODEL	SAA6D140E-6, OTHERS		
VEHICLE	D155AX-7, OTHERS		
DESIGN RECORD	8020 → 8021 JUMP START PROTECTION, SFR & MAG.SWITCH CHANGED		
NOTE	WATER PROOF OIL PROOF φ114		

0-23000-8021 STARTING MOTOR (MAKER PART NO 600-813-9341)

No	Parts Number	Maker Parts No	Description	Qty	List Price	Note
1	0-23100-0460		ARMATURE CO	1		INCLUDING 1-1, 1-2
1-1	1-0456-62054		BALL BEARING	1		FRONT
1-2	1-0456-62014		BALL BEARING	1		REAR
2	0-23200-0672		YOKE ASSY	1		INCLUDING 2 PCS OF 7-4
3	0-23310-1675		FRONT BRACKET CO	1		INCLUDING 3-1, 3-2
3-1	7-23351-0085		METAL	1		FRONT
3-2	1-23761-0010		COVER	1		
3-3	1-0240-06305		BOLT	6		
4	0-23120-0180		SHAFT CO	1		
4-1	1-0456-60064		BALL BEARING	1		CENTER
4-2	1-23181-0020		PINION STOPPER	1		
4-3	1-23914-0020		CLIP RING	1		
5	1-23500-0994		O.R.CLUTCH ASSY	1		
6	0-23600-0410		CENTER BRACKET ASSY	1		INCLUDING OIL SEAL
6-1	0-23611-1102		CENTER BRACKET	1		
6-2	7-47100-0290		MAG.SWITCH ASSY	1		
6-3	1-0240-08402		BOLT	3		
6-4	0-0274-06202		BOLT	3		
6-5	0-23320-0290		SHIFT LEVER CO	1		
6-6	0-23303-0020		LEVER PIN	1		
6-7	1-09279-0090		NUT	1		
7-1	0-23711-0221		REAR BRACKET	1		
7-2	7-23750-0150		BRUSH HOLDER CO	1		INCLUDING 7-3, 7-4
7-3	1-23913-0040		BRUSH SPRING	4		
7-4	1-23740-0354		BRUSH CO	4		
7-5	0-09001-4380		BOLT	2		THROUGH BOLT
7-6	0-09011-3140		SCREW	2		
8	0-25000-8552		SWITCH	1		
8-1	0-0270-06602		BOLT	1		
8-2	1-47927-1390		HOLDER	1		
#2	1-23921-0130		WASHER	1		
#3	1-23921-0140		WASHER	1		FOR ADJUSTMENT
#4	1-23941-0040		INSULATE WASHER	1		
#5	0-09057-0110		WASHER	1		FOR ADJUSTMENT
#6	0-09057-0190		WASHER	1		
※	7-09210-3240		SEAL ASSY	1		
△	7-47761-0010		MAG.SWITCH COVER ASSY	1		
□	7-47761-0030		SWITCH COVER ASSY	1		



0-23000-8021

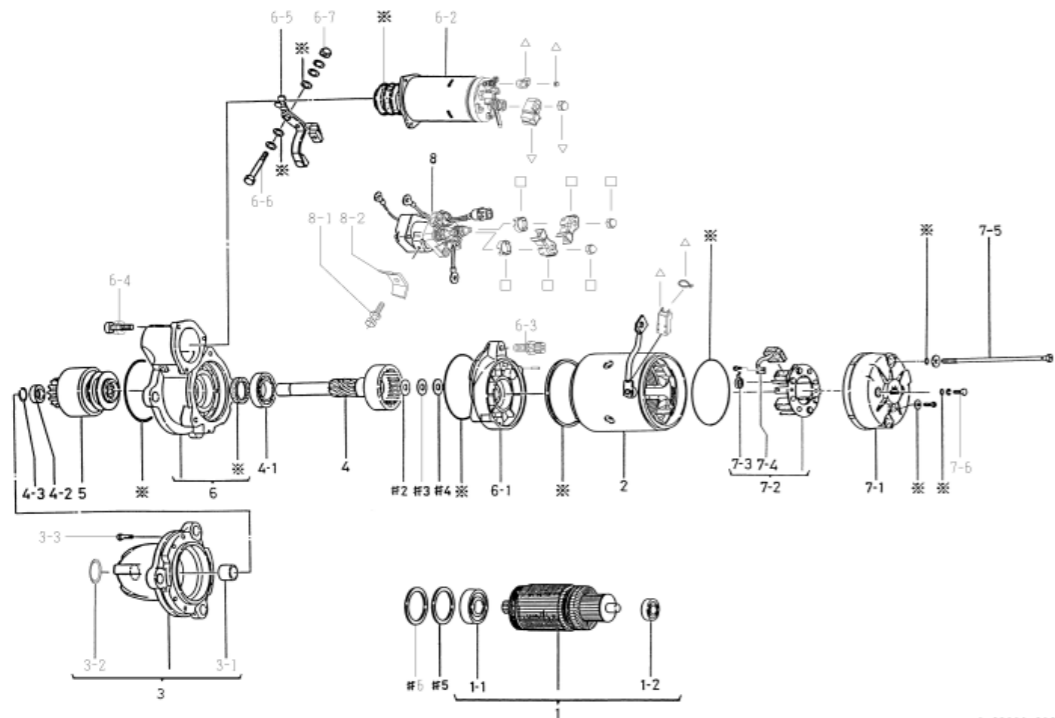
※	7-09210-3240	SEAL ASSY	
	1-09058-0120	SEAL WASHER	1
	0-09058-0130	SEAL WASHER	2
	1-23951-0051	PACKING	1
	1-09210-1060	OIL SEAL	1
	1-09211-0081	O RING	4
	1-09211-0981	O RING	2
	1-09211-1150	O RING	1
	1-47952-0371	GUM CAP	1

0-23000-8024 STARTING MOTOR

OEM CUSTOMER	KOMATSU	OEM PARTS NUMBER	600-813-9342
NOMINAL OUT PUT	24V 11Kw	SUPPLY TERM	15.06~
WEIGHT	18kg	SWITCH	SAFETY RELAY (INSTALLED ON RIGHT)
ENGINE MODEL	SAA6D140E-6, OTHERS		
VEHICLE	D155AX-7, OTHERS		
DESIGN RECORD	8020 → 8021	JUMP START PROTECTION, SFR & MAG.SWITCH CHANGED	
	8021 → 8024	CAUTION PLATE CHANGED	
NOTE	WATER PROOF OIL PROOF φ114		

0-23000-8024 STARTING MOTOR (MAKER PART NO 600-813-9342)

No	Parts Number	Maker Parts No	Description	Qty	List Price	Note
1	0-23100-0460		ARMATURE CO	1		INCLUDING 1-1, 1-2
1-1	1-0456-62054		BALL BEARING	1		FRONT
1-2	1-0456-62014		BALL BEARING	1		REAR
2	0-23200-0672		YOKE ASSY	1		INCLUDING 2 PCS OF 7-4
3	0-23310-1675		FRONT BRACKET CO	1		INCLUDING 3-1, 3-2
3-1	7-23351-0085		METAL	1		FRONT
3-2	1-23761-0010		COVER	1		
3-3	1-0240-06305		BOLT	6		
4	0-23120-0180		SHAFT CO	1		
4-1	1-0456-60064		BALL BEARING	1		CENTER
4-2	1-23181-0020		PINION STOPPER	1		
4-3	1-23914-0020		CLIP RING	1		
5	1-23500-0994		O.R.CLUTCH ASSY	1		
6	0-23600-0410		CENTER BRACKET ASSY	1		INCLUDING OIL SEAL
6-1	0-23611-1102		CENTER BRACKET	1		
6-2	7-47100-0294		MAG.SWITCH ASSY	1		
6-3	1-0240-08402		BOLT	3		
6-4	0-0274-06202		BOLT	3		
6-5	0-23320-0290		SHIFT LEVER CO	1		
6-6	0-23303-0020		LEVER PIN	1		
6-7	1-09279-0090		NUT	1		
7-1	0-23711-0221		REAR BRACKET	1		
7-2	7-23750-0150		BRUSH HOLDER CO	1		INCLUDING 7-3, 7-4
7-3	1-23913-0040		BRUSH SPRING	4		
7-4	1-23740-0354		BRUSH CO	4		
7-5	0-09001-4380		BOLT	2		THROUGH BOLT
7-6	0-09011-3140		SCREW	2		
8	0-25000-8552		SWITCH	1		
8-1	0-0270-06602		BOLT	1		
8-2	1-47927-1390		HOLDER	1		
#2	1-23921-0130		WASHER	1		
#3	1-23921-0140		WASHER	1		FOR ADJUSTMENT
#4	1-23941-0040		INSULATE WASHER	1		
#5	0-09057-0110		WASHER	1		FOR ADJUSTMENT
#6	0-09057-0190		WASHER	1		
※	7-09210-3240		SEAL ASSY	1		
△	7-47761-0010		MAG.SWITCH COVER ASSY	1		
□	7-47761-0030		SWITCH COVER ASSY	1		



0-23000-8024

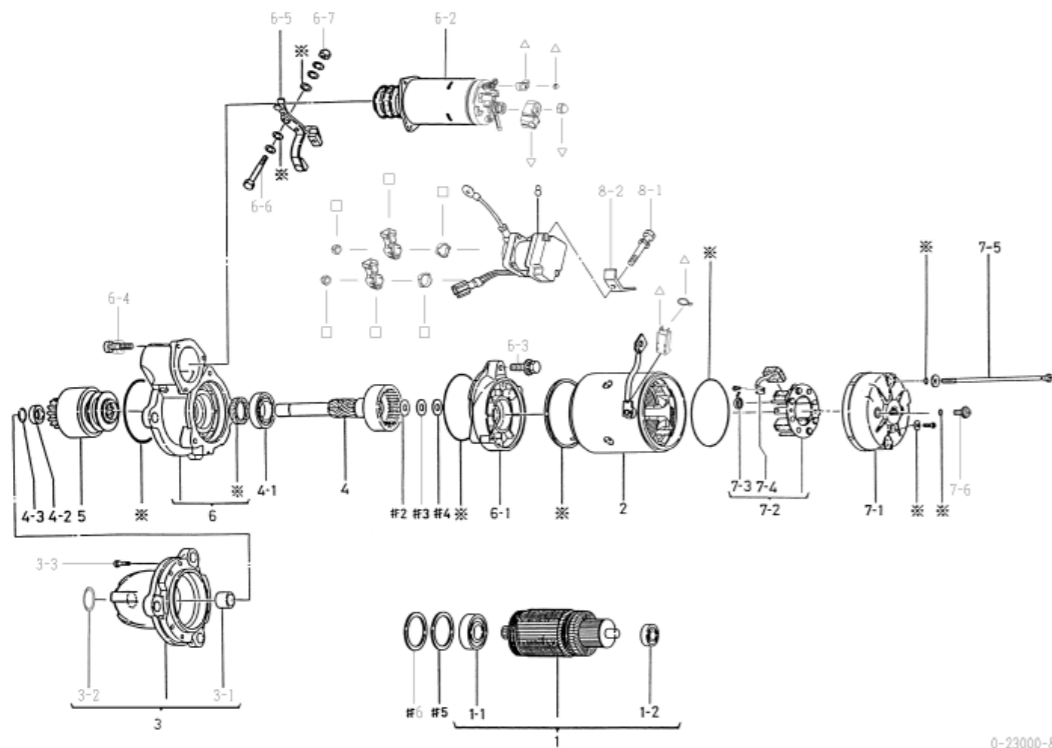
※	7-09210-3240	SEAL ASSY	
	1-09058-0120	SEAL WASHER	1
	0-09058-0130	SEAL WASHER	2
	1-23951-0051	PACKING	1
	1-09210-1060	OIL SEAL	1
	1-09211-0081	O RING	4
	1-09211-0981	O RING	2
	1-09211-1150	O RING	1
	1-47952-0371	GUM CAP	1

0-23000-8062 STARTING MOTOR

OEM CUSTOMER	KOMATSU	OEM PARTS NUMBER	600-863-8112
NOMINAL OUT PUT	24V 11Kw	SUPPLY TERM	07.01~
WEIGHT	18kg	SWITCH	SAFETY RELAY (INSTALLED ON LEFT)
ENGINE MODEL	SAA6D114E-2A, OTHERS		
VEHICLE	PC300-7, OTHERS		
DESIGN RECORD	8060 → 8061	JUMP START PROTECTION, SFR & MAG.SWITCH CHANGED	
	8061 → 8062	SFR CHANGED (MOUNTING DIRECTION IS DIFFERENT)	
NOTE	WATER PROOF OIL PROOF φ114 0-23000-8060 AND 7731 ARE DIFFERENT IN POSITION AND DIAMETER OF MOUNTING HOLE OF FRONT (NOSE HOUSING).		

0-23000-8062 STARTING MOTOR (MAKER PART NO 600-813-8112)

No	Parts Number	Maker Parts No	Description	Qty	List Price	Note
1	0-23100-0430		ARMATURE CO	1		INCLUDING 1-1, 1-2
1-1	1-0456-62057		BALL BEARING	1		FRONT
1-2	1-0456-62017		BALL BEARING	1		REAR
2	0-23200-0672		YOKE ASSY	1		INCLUDING 2 PCS OF 7-4
3	0-23310-1744		FRONT BRACKET CO	1		INCLUDING 3-1, 3-2
3-1	7-23351-0085		METAL	1		FRONT
3-2	1-23761-0010		COVER	1		
3-3	1-0240-06305		BOLT	6		
4	0-23120-0180		SHAFT CO	1		
4-1	0-09201-0850		BALL BEARING	1		CENTER
4-2	1-23181-0020		PINION STOPPER	1		
4-3	1-23914-0020		CLIP RING	1		
5	0-23500-0974		O.R.CLUTCH ASSY	1		
6	0-23600-0410		CENTER BRACKET ASSY	1		INCLUDING OIL SEAL
6-1	0-23611-1102		CENTER BRACKET	1		
6-2	7-47100-0270		MAG.SWITCH ASSY	1		
6-3	0-0276-08402		BOLT	3		
6-4	0-0274-06202		BOLT	3		
6-5	0-23320-0290		SHIFT LEVER CO	1		
6-6	0-23303-0020		LEVER PIN	1		
6-7	1-09279-0090		NUT	1		
7-1	0-23710-0221		REAR BRACKET	1		
7-2	7-23750-0150		BRUSH HOLDER CO	1		INCLUDING 7-3,7-4
7-3	1-23913-0040		BRUSH SPRING	4		
7-4	0-23740-0354		BRUSH CO	4		
7-5	0-09001-4380		BOLT	2		THROUGH BOLT
7-6	0-09011-3140		SCREW	2		
8	0-25000-8522		SWITCH	1		
8-1	0-0270-06602		BOLT	1		
8-2	0-47927-1390		HOLDER	1		
#2	1-23921-0130		WASHER	1		
#3	1-23921-0140		WASHER	1		FOR ADJUSTMENT
#4	1-23941-0040		INSULATE WASHER	1		
#5	0-09057-0110		WASHER	1		FOR ADJUSTMENT
#6	0-09057-0190		WASHER	1		
※	7-09210-2910		SEAL ASSY	1		
△	7-47761-0010		MAG.SWITCH COVER ASSY	1		
□	7-47761-0030		SWITCH COVER ASSY	1		



0-23000-8062

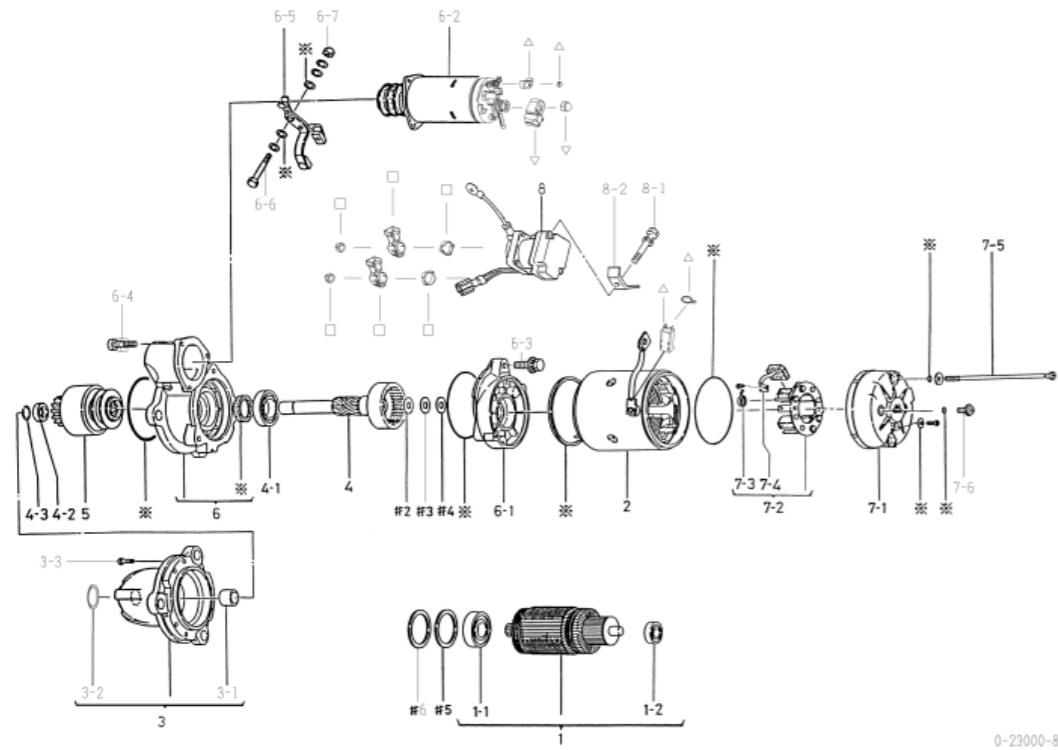
7-09210-2910	SEAL ASSY	
1-0345-05001	SEAL WASHER	1
1-0345-08001	SEAL WASHER	2
1-23951-0051	PACKING	1
1-09210-1060	OIL SEAL	1
1-09211-0081	O RING	4
1-09211-0981	O RING	2
1-09211-1120	O RING	1

0-23000-8065 STARTING MOTOR

OEM CUSTOMER	KOMATSU	OEM PARTS NUMBER	600-863-8113
NOMINAL OUT PUT	24V 11Kw	SUPPLY TERM	14.03~
WEIGHT	18kg	SWITCH	SAFETY RELAY (INSTALLED ON LEFT)
ENGINE MODEL	SAA6D114E-2A, OTHERS		
VEHICLE	PC300-7, OTHERS		
DESIGN RECORD	8060 → 8061 JUMP START PROTECTION, SFR & MAG.SWITCH CHANGED 8061 → 8062 SFR CHANGED (MOUNTING DIRECTION IS DIFFERENT) 8062 → 8065 CAUTION PLATE CHANGED		
NOTE	WATER PROOF OIL PROOF φ114 0-23000-8060 AND 7731 ARE DIFFERENT IN POSITION AND DIAMETER OF MOUNTING HOLE OF FRONT (NOSE HOUSING).		

0-23000-8065 STARTING MOTOR (MAKER PART NO 600-813-8113)

No	Parts Number	Maker Parts No	Description	Qty	List Price	Note
1	0-23100-0430		ARMATURE CO	1		INCLUDING 1-1, 1-2
1-1	1-0456-62057		BALL BEARING	1		FRONT
1-2	1-0456-62017		BALL BEARING	1		REAR
2	0-23200-0672		YOKE ASSY	1		INCLUDING 2 PCS OF 7-4
3	0-23310-1744		FRONT BRACKET CO	1		INCLUDING 3-1, 3-2
3-1	7-23351-0085		METAL	1		FRONT
3-2	1-23761-0010		COVER	1		
3-3	1-0240-06305		BOLT	6		
4	0-23120-0180		SHAFT CO	1		
4-1	0-09201-0850		BALL BEARING	1		CENTER
4-2	1-23181-0020		PINION STOPPER	1		
4-3	1-23914-0020		CLIP RING	1		
5	0-23500-0974		O.R.CLUTCH ASSY	1		
6	0-23600-0410		CENTER BRACKET ASSY	1		INCLUDING OIL SEAL
6-1	0-23611-1102		CENTER BRACKET	1		
6-2	7-47100-0274		MAG.SWITCH ASSY	1		
6-3	0-0276-08402		BOLT	3		
6-4	0-0274-06202		BOLT	3		
6-5	0-23320-0290		SHIFT LEVER CO	1		
6-6	0-23303-0020		LEVER PIN	1		
6-7	1-09279-0090		NUT	1		
7-1	0-23710-0221		REAR BRACKET	1		
7-2	7-23750-0150		BRUSH HOLDER CO	1		INCLUDING 7-3, 7-4
7-3	1-23913-0040		BRUSH SPRING	4		
7-4	0-23740-0354		BRUSH CO	4		
7-5	0-09001-4380		BOLT	2		THROUGH BOLT
7-6	0-09011-3140		SCREW	2		
8	0-25000-8522		SWITCH	1		
8-1	0-0270-06602		BOLT	1		
8-2	0-47927-1390		HOLDER	1		
#2	1-23921-0130		WASHER	1		
#3	1-23921-0140		WASHER	1		FOR ADJUSTMENT
#4	1-23941-0040		INSULATE WASHER	1		
#5	0-09057-0110		WASHER	1		FOR ADJUSTMENT
#6	0-09057-0190		WASHER	1		
※	7-09210-2910		SEAL ASSY	1		
△	7-47761-0010		MAG.SWITCH COVER ASSY	1		
□	7-47761-0030		SWITCH COVER ASSY	1		

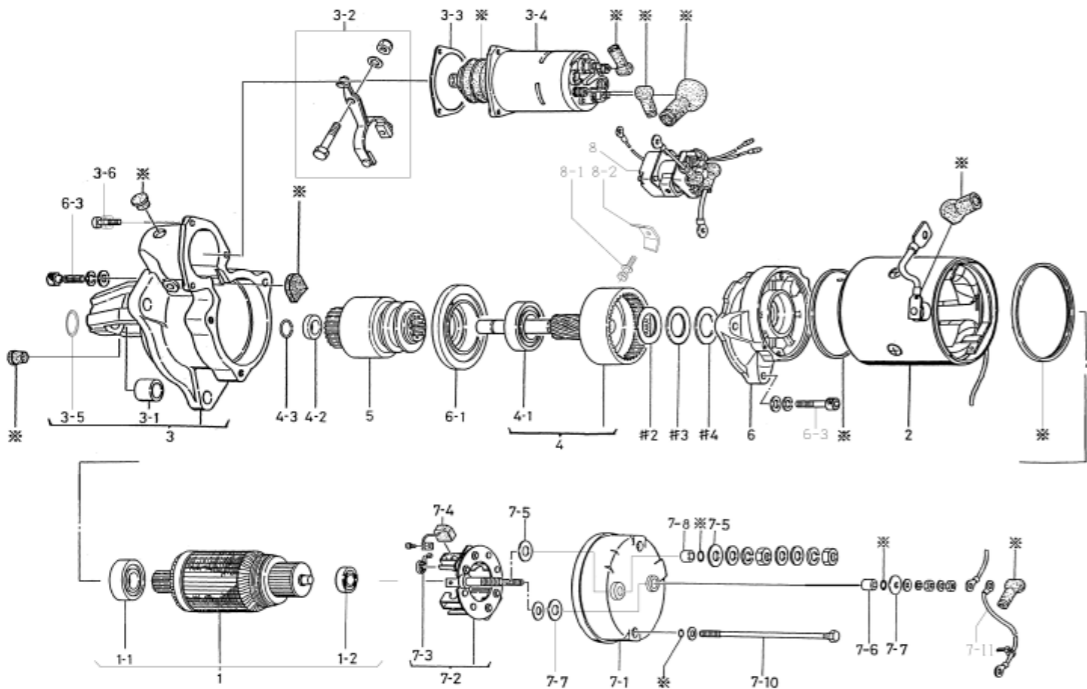


0-23000-8065

7-09210-2910	SEAL ASSY	
1-0345-05001	SEAL WASHER	1
1-0345-08001	SEAL WASHER	2
1-23951-0051	PACKING	1
1-09210-1060	OIL SEAL	1
1-09211-0081	O RING	4
1-09211-0981	O RING	2
1-09211-1120	O RING	1

0-23000-8074 STARTING MOTOR

OEM CUSTOMER	ISUZU	OEM PARTS NUMBER	1-81100-268-1
NOMINAL OUT PUT	24V 7.4Kw	SUPPLY TERM	08.07~
WEIGHT	15.1kg	SWITCH	SAFETY RELAY (INSTALLED ON RIGHT)
ENGINE MODEL	UM6RB1, E120		
VEHICLE	MARINE		
DESIGN RECORD	6300 → 6303	SFR CHANGED	
	6300 → 8070	SFR CHANGED	
	8070 → 8074	REAR BRACKET CHANGED (METAL→BEARING)	
NOTE	DRIP PROOF φ114 2-WIRE MARINE SPECIFICATION		



0-23000-8074

0-23000-8074 STARTING MOTOR (MAKER PART NO 1-81100-268-1)

No	Parts Number	Maker Parts No	Description	Qty	List Price	Note
1	7-23100-0420		ARMATURE ASSY	1		INCLUDING 1-1, 1-2
1-1	1-0456-62047	1-81129294-0	BALL BEARING	1		FRONT
1-2	1-0456-62007	1-81129196-0	BALL BEARING	1		REAR
2	0-23200-1100	8-98155042-0	YOKE ASSY	1		INCLUDING 2 PCS OF 7-4
3	1-23310-0244	8-98155027-0	FRONT BRACKET CO	1		INCLUDING 3-1, 3-2
3-1	7-23351-0084	8-98155027-0	METAL	1		FRONT
3-2	7-23320-0080	1-81127047-0	SHIFT LEVER ASSY	1		
3-3	1-23922-0060	1-81129287-0	PLATE	1		
3-4	0-47100-3010	1-81151042-0	MAG.SWITCH ASSY	1		
3-5	1-23761-0010	1-81129305-0	COVER	1		
3-6	0-0274-06202	8-94178026-0	BOLT	3		
4	7-23120-0040	1-81123017-0	SHAFT ASSY	1		INCLUDING 4-1
4-1	1-0456-60067	1-81129200-0	BALL BEARING	1		CENTER
4-2	1-23181-0020	1-81129190-0	PINION STOPPER	1		
4-3	1-23914-0020	1-81129189-0	CLIP RING	1		
5	1-23500-0095	8-98155030-0	O.R.CLUTCH ASSY	1		
6	1-23611-0081	1-81113063-0	CENTER BRACKET	1		
6-1	1-23611-0070	1-81113057-0	CENTER BRACKET	1		
6-3	1-0240-08405	1-81129293-0	BOLT	3		
7-1	0-23711-0368	8-98155036-0	REAR BRACKET	1		
7-2	7-23750-0570		BRUSH HOLDER CO	1		INCLUDING 7-3, 7-4
7-3	1-23913-0041	1-81117020-0	BRUSH SPRING	4		
7-4	1-23740-0354	8-98155018-0	BRUSH CO	4		
7-5	1-21941-0430	1-81129242-0	INSULATE WASHER	2		
7-6	1-23944-0050	1-81129552-0	INSULATE TUBE	1		
7-7	1-23941-0010	1-81129245-0	INSULATE WASHER	2		
7-8	1-21944-1240		INSULATE TUBE	1		
7-10	0-09001-4460	1-81129537-0	BOLT	2		THROUGH BOLT
7-11	1-23785-0080	1-81116038-0	LEAD WIRE CO	1		
8	0-25000-6172	1-82553054-1	SWITCH	1		
8-1	0-0270-06552		BOLT	1		
8-2	1-47927-0921		HOLDER	1		
#2	1-23921-0130	5-81129160-0	INSULATE WASHER	1		
#3	1-23921-0140	5-81129159-0	WASHER	2		FOR ADJUSTMENT
#4	1-23941-0040	1-81129295-0	WASHER	1		
※	7-09210-2960	1-81129325-0	SEAL ASSY	1		

※	7-09210-2960	SEAL ASSY	
	1-0345-05001	SEAL WASHER	3
	1-0505-00601	O RING	2
	1-0506-01001	O RING	1
	1-09211-0380	O RING	1
	1-09252-0211	GUM CAP	1
	1-09252-0391	GUM CAP	2
	1-09252-0420	GUM CAP	1

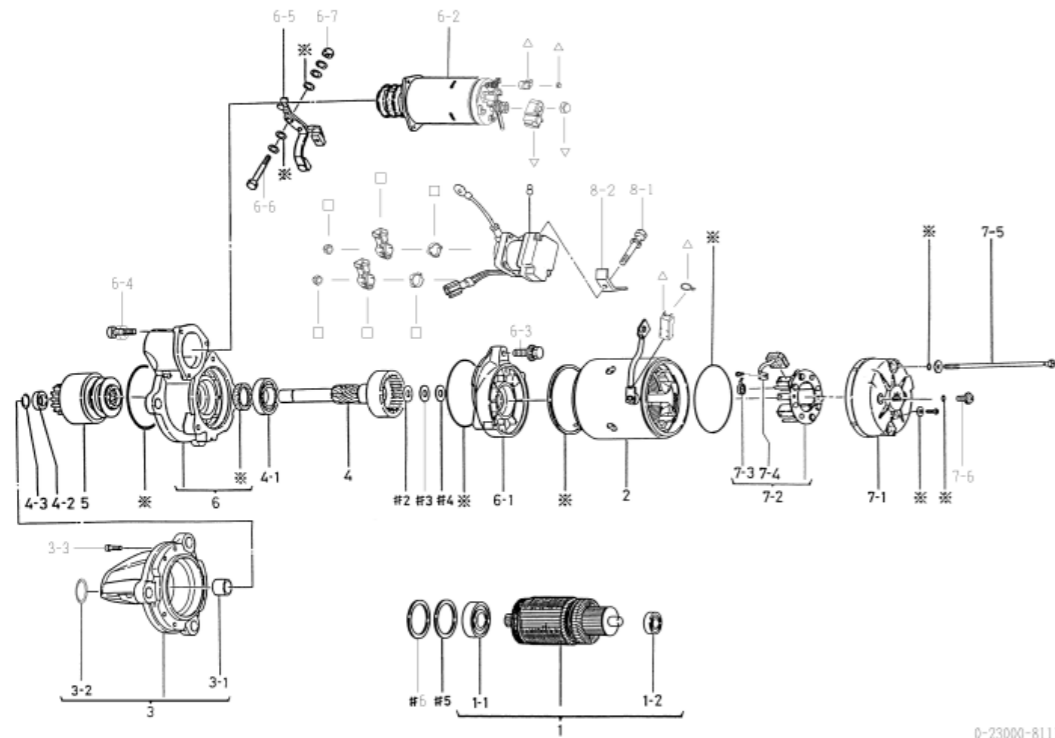
1-09252-0430	GUM CAP	1
1-21951-1910	PACKING	1
1-23951-0050	PACKING	1
1-23951-0120	PACKING	1
1-09211-1120	O RING	1
1-47952-0370	GUM CAP	1
1-47953-0081	GUM BUSH	1

0-23000-8111 STARTING MOTOR

OEM CUSTOMER	KOMATSU	OEM PARTS NUMBER	600-813-9511
NOMINAL OUT PUT	24V 11Kw	SUPPLY TERM	02.06~
WEIGHT	17.6kg	SWITCH	SAFETY RELAY (INSTALLED ON LEFT)
ENGINE MODEL	SAA6D170E-3E, OTHERS		
VEHICLE	PC1200-7, PC1250-7, OTHERS		
DESIGN RECORD	8110 → 8111 JUMP START PROTECTION, SFR & MAG.SWITCH CHANGED		
NOTE	WATER PROOF OIL PROOF φ114		

0-23000-8111 STARTING MOTOR (MAKER PART NO 600-813-9511)

No	Parts Number	Maker Parts No	Description	Qty	List Price	Note
1	0-23100-0430		ARMATURE CO	1		INCLUDING 1-1, 1-2
1-1	1-0456-62057		BALL BEARING	1		FRONT
1-2	1-0456-62017		BALL BEARING	1		REAR
2	0-23200-0672		YOKE ASSY	1		INCLUDING 2 PCS OF 7-4
3	0-23310-1754		FRONT BRACKET CO	1		INCLUDING 3-1, 3-2
3-1	7-23351-0085		METAL	1		FRONT
3-2	1-23761-0010		COVER	1		
3-3	1-0240-06305		BOLT	6		
4	0-23120-0180		SHAFT CO	1		
4-1	0-09201-0850		BALL BEARING	1		CENTER
4-2	1-23181-0020		PINION STOPPER	1		
4-3	1-23914-0020		CLIP RING	1		
5	0-23500-1024		O.R.CLUTCH ASSY	1		
6	0-23600-0470		CENTER BRACKET ASSY	1		INCLUDING OIL SEAL
6-1	0-23611-1102		CENTER BRACKET	1		
6-2	7-47100-0270		MAG.SWITCH ASSY	1		
6-3	0-0276-08402		BOLT	3		
6-4	0-0274-06202		BOLT	3		
6-5	0-23320-0290		SHIFT LEVER CO	1		
6-6	0-23303-0020		LEVER PIN	1		
6-7	1-09279-0090		NUT	1		
7-1	0-23710-0221		REAR BRACKET CO	1		
7-2	7-23750-0150		BRUSH HOLDER CO	1		INCLUDING 7-3, 7-4
7-3	1-23913-0040		BRUSH SPRING	4		
7-4	0-23740-0354		BRUSH CO	4		
7-5	0-09001-4380		BOLT	2		THROUGH BOLT
7-6	0-09011-3140		SCREW	2		
8	0-25000-8522		SWITCH	1		
8-1	0-0270-06602		BOLT	1		
8-2	0-47927-1390		HOLDER	1		
#2	1-23921-0130		WASHER	1		
#3	1-23921-0140		WASHER	1		FOR ADJUSTMENT
#4	1-23941-0040		INSULATE WASHER	1		
#5	0-09057-0110		WASHER	1		FOR ADJUSTMENT
#6	0-09057-0190		WASHER	1		
※	7-09210-2910		SEAL ASSY	1		
△	7-47761-0010		MAG.SWITCH COVER ASSY	1		
□	7-47761-0030		SWITCH COVER ASSY	1		



0-23000-8111

※	7-09210-2910	SEAL ASSY	
	1-0345-05001	SEAL WASHER	1
	1-0345-08001	SEAL WASHER	2
	1-23951-0051	PACKING	1
	1-09210-1060	OIL SEAL	1
	1-09211-0081	O RING	4
	1-09211-0981	O RING	2
	1-09211-1120	O RING	1

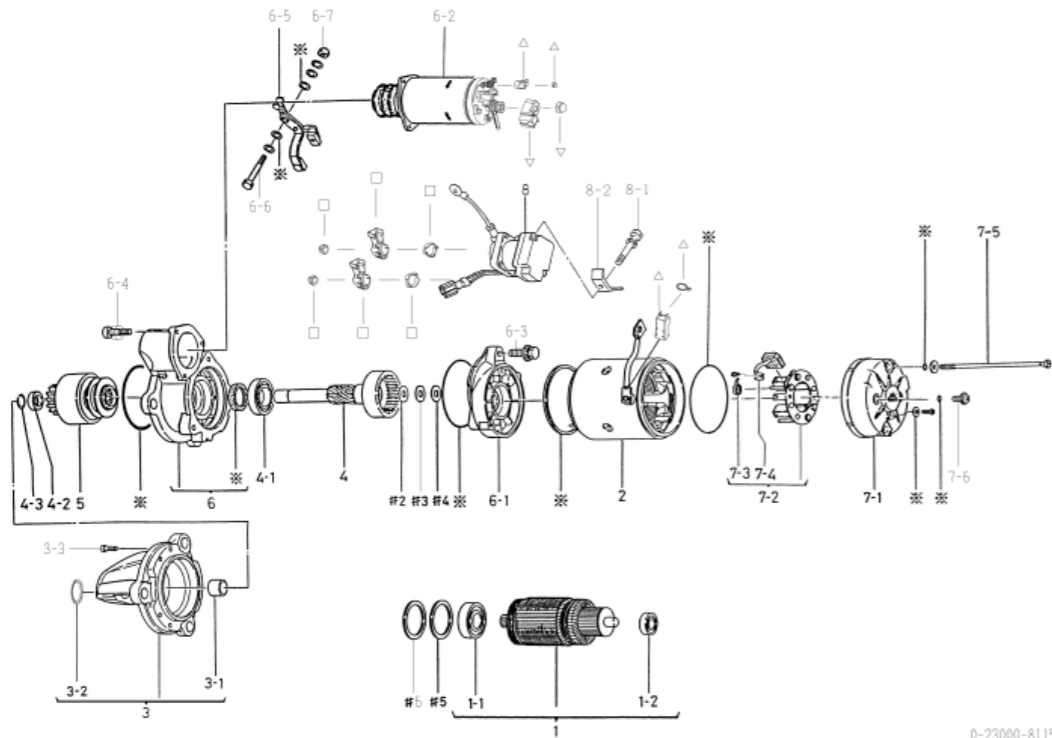
0-23000-8115 STARTING MOTOR

OEM CUSTOMER	KOMATSU	OEM PARTS NUMBER	600-813-9512
NOMINAL OUT PUT	24V 11Kw	SUPPLY TERM	15.06~
WEIGHT	17.6kg	SWITCH	SAFETY RELAY (INSTALLED ON LEFT)
ENGINE MODEL	SAA6D170E-3E, OTHERS		
VEHICLE	PC1200-7, PC1250-7, OTHERS		
DESIGN RECORD	8110 → 8111 JUMP START PROTECTION, SFR & MAG.SWITCH CHANGED 8111 → 8115 CAUTION PLATE CHANGED		
NOTE	WATER PROOF OIL PROOF φ114		

0-23000-8115 STARTING MOTOR (MAKER PART NO 600-813-9512)

No	Parts Number	Maker Parts No	Description	Qty	List Price	Note
1	0-23100-0430		ARMATURE CO	1		INCLUDING 1-1, 1-2
1-1	1-0456-62057		BALL BEARING	1		FRONT
1-2	1-0456-62017		BALL BEARING	1		REAR
2	0-23200-0672		YOKE ASSY	1		INCLUDING 2 PCS OF 7-4
3	0-23310-1754		FRONT BRACKET CO	1		INCLUDING 3-1, 3-2
3-1	7-23351-0085		METAL	1		FRONT
3-2	1-23761-0010		COVER	1		
3-3	1-0240-06305		BOLT	6		
4	0-23120-0180		SHAFT CO	1		
4-1	0-09201-0850		BALL BEARING	1		CENTER
4-2	1-23181-0020		PINION STOPPER	1		
4-3	1-23914-0020		CLIP RING	1		
5	0-23500-1024		O.R.CLUTCH ASSY	1		
6	0-23600-0470		CENTER BRACKET ASSY	1		INCLUDING OIL SEAL
6-1	0-23611-1102		CENTER BRACKET	1		
6-2	7-47100-0274		MAG.SWITCH ASSY	1		
6-3	0-0276-08402		BOLT	3		
6-4	0-0274-06202		BOLT	3		
6-5	0-23320-0290		SHIFT LEVER CO	1		
6-6	0-23303-0020		LEVER PIN	1		
6-7	1-09279-0090		NUT	1		
7-1	0-23710-0221		REAR BRACKET CO	1		
7-2	7-23750-0150		BRUSH HOLDER CO	1		INCLUDING 7-3, 7-4
7-3	1-23913-0040		BRUSH SPRING	4		
7-4	0-23740-0354		BRUSH CO	4		
7-5	0-09001-4380		BOLT	2		THROUGH BOLT
7-6	0-09011-3140		SCREW	2		
8	0-25000-8522		SWITCH	1		
8-1	0-0270-06602		BOLT	1		
8-2	0-47927-1390		HOLDER	1		
#2	1-23921-0130		WASHER	1		
#3	1-23921-0140		WASHER	1		FOR ADJUSTMENT
#4	1-23941-0040		INSULATE WASHER	1		
#5	0-09057-0110		WASHER	1		FOR ADJUSTMENT
#6	0-09057-0190		WASHER	1		
※	7-09210-2910		SEAL ASSY	1		
△	7-47761-0010		MAG.SWITCH COVER ASSY	1		
□	7-47761-0030		SWITCH COVER ASSY	1		

※	7-09210-2910	SEAL ASSY	
	1-0345-05001	SEAL WASHER	1
	1-0345-08001	SEAL WASHER	2
	1-23951-0051	PACKING	1
	1-09210-1060	OIL SEAL	1
	1-09211-0081	O RING	4
	1-09211-0981	O RING	2
	1-09211-1120	O RING	1



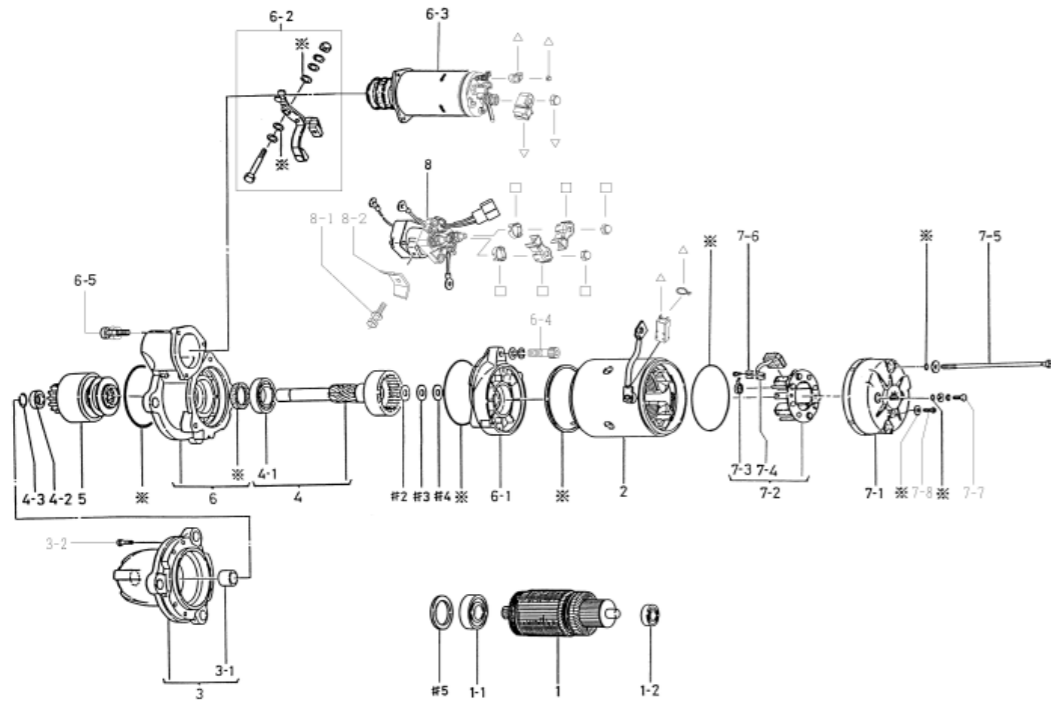
0-23000-8115

0-23000-8290 STARTING MOTOR

OEM CUSTOMER	KOMATSU	OEM PARTS NUMBER	600-813-3532
NOMINAL OUT PUT	24V 7.5Kw	SUPPLY TERM	02.06~
WEIGHT	18kg	SWITCH	SAFETY RELAY (INSTALLED ON RIGHT)
ENGINE MODEL	S6D125-1N		
VEHICLE	WT500E-1		
DESIGN RECORD	6252 → 6253 SFR CHANGED 6253 → 8290 JUMP START PROTECTION, SFR & MAG.SWITCH CHANGED		
NOTE	WATER PROOF OIL PROOF φ114 DIFFERENT SFR FROM THAT OF 0-23000-8300		

0-23000-8290 STARTING MOTOR (MAKER PART NO 600-813-3532)

No	Parts Number	Maker Parts No	Description	Qty	List Price	Note
1	0-23100-0231		ARMATURE CO	1		
1-1	1-0456-62047		BALL BEARING	1		FRONT
1-2	1-0456-62007		BALL BEARING	1		REAR
2	0-23200-1120		YOKE ASSY	1		INC. 2 PCS EACH OF 7-4 & 7-6
3	1-23310-0405		FRONT BRACKET CO	1		INCLUDING 3-1
3-1	7-23351-0085		METAL	1		FRONT
3-2	1-0240-06305		BOLT	6		
4	7-23120-0090		SHAFT ASSY	1		INCLUDING 4-1
4-1	1-0456-60067		BALL BEARING	1		CENTER
4-2	1-23181-0020		PINION STOPPER	1		
4-3	1-23914-0020		CLIP RING	1		
5	1-23500-0174		O.R.CLUTCH ASSY	1		
6	0-23600-0101		CENTER BRACKET ASSY	1		INCLUDING OIL SEAL
6-1	1-23611-0080		CENTER BRACKET	1		
6-2	7-23320-0120		SHIFT LEVER ASSY	1		
6-3	7-47100-0250		MAG.SWITCH ASSY	1		
6-4	1-0240-08405		BOLT	3		
6-5	0-0274-06202		BOLT	3		
7-1	0-23711-0221		REAR BRACKET	1		
7-2	7-23750-0024		BRUSH HOLDER CO	1		INCLUDING 7-3, 7-4, 7-6
7-3	1-23913-0040		BRUSH SPRING	4		
7-4	1-23740-0354		BRUSH CO	4		
7-5	0-09001-4380		BOLT	2		THROUGH BOLT
7-6	1-25922-2800		PLATE	4		
7-7	0-09001-4181		BOLT	2		
7-8	0-0020-05062		SCREW	1		
8	0-25000-8641		SWITCH	1		
8-1	0-0270-06602		BOLT	1		
8-2	1-47927-0940		HOLDER	1		
#2	1-23921-0130		WASHER	1		
#3	1-23921-0140		WASHER	1		適宜
#4	1-23941-0040		INSULATE WASHER	1		
#5	0-23921-0230		WASHER	1		適宜
※	7-09210-2880		SEAL ASSY	1		
△	7-47761-0010		MAG.SWITCH COVER ASSY	1		
□	7-47761-0030		SWITCH COVER ASSY	1		



0-23000-8290

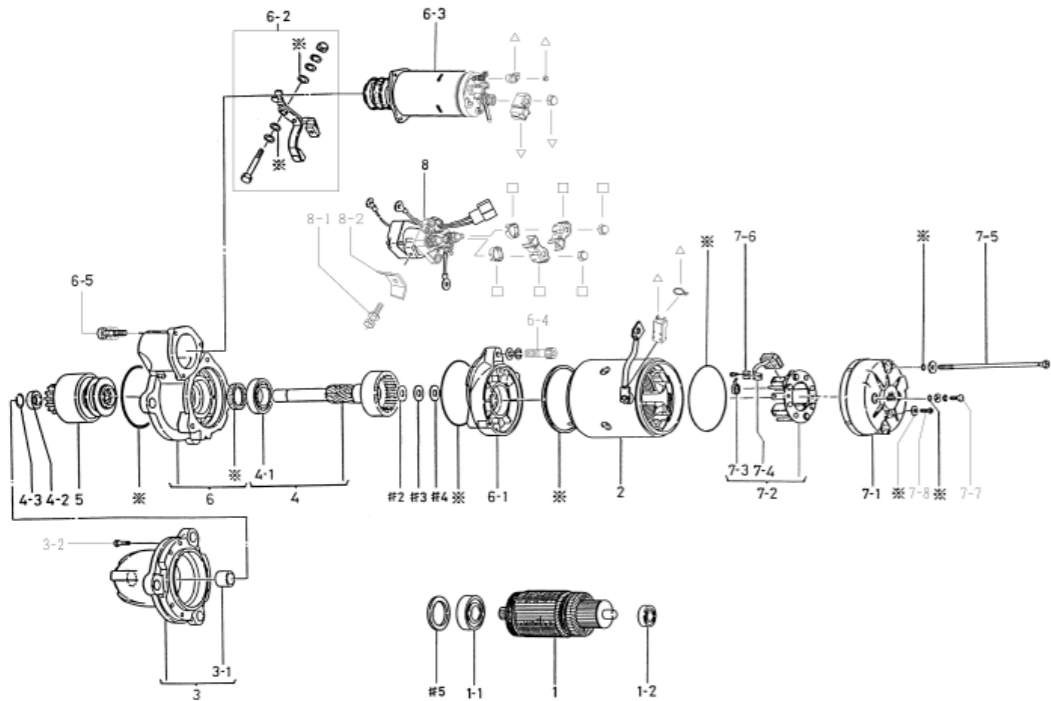
※	7-09210-2880	SEAL ASSY	
	1-0345-05001	SEAL WASHER	1
	1-0345-08001	SEAL WASHER	2
	1-23951-0050	PACKING	1
	1-09210-1040	OIL SEAL	1
	1-0505-00501	O RING	2
	1-0505-00601	O RING	2
	1-09211-0980	O RING	2
	1-09211-1120	O RING	1

0-23000-8295 STARTING MOTOR

OEM CUSTOMER	KOMATSU	OEM PARTS NUMBER	600-813-3533
NOMINAL OUT PUT	24V 7.5Kw	SUPPLY TERM	15.06~
WEIGHT	18kg	SWITCH	SAFETY RELAY (INSTALLED ON RIGHT)
ENGINE MODEL	S6D125-1N		
VEHICLE	WT500E-1		
DESIGN RECORD	6252 → 6253	SFR CHANGED	
	6253 → 8290	JUMP START PROTECTION, SFR & MAG.SWITCH CHANGED	
	8290 → 8295	CAUTION PLATE CHANGED	
NOTE	WATER PROOF OIL PROOF φ114 DIFFERENT SFR FROM THAT OF 0-23000-8305		

0-23000-8295 STARTING MOTOR (MAKER PART NO 600-813-3533)

No	Parts Number	Maker Parts No	Description	Qty	List Price	Note
1	0-23100-0231		ARMATURE CO	1		
1-1	1-0456-62047		BALL BEARING	1		FRONT
1-2	1-0456-62007		BALL BEARING	1		REAR
2	0-23200-1120		YOKE ASSY	1		INC. 2 PCS EACH OF 7-4 & 7-6
3	1-23310-0405		FRONT BRACKET CO	1		INCLUDING 3-1
3-1	7-23351-0085		METAL	1		FRONT
3-2	1-0240-06305		BOLT	6		
4	7-23120-0090		SHAFT ASSY	1		INCLUDING 4-1
4-1	1-0456-60067		BALL BEARING	1		CENTER
4-2	1-23181-0020		PINION STOPPER	1		
4-3	1-23914-0020		CLIP RING	1		
5	1-23500-0174		O.R.CLUTCH ASSY	1		
6	0-23600-0101		CENTER BRACKET ASSY	1		INCLUDING OIL SEAL
6-1	1-23611-0080		CENTER BRACKET	1		
6-2	7-23320-0120		SHIFT LEVER ASSY	1		
6-3	7-47100-0254		MAG.SWITCH ASSY	1		
6-4	1-0240-08405		BOLT	3		
6-5	0-0274-06202		BOLT	3		
7-1	0-23711-0221		REAR BRACKET	1		
7-2	7-23750-0024		BRUSH HOLDER CO	1		INCLUDING 7-3, 7-4, 7-6
7-3	1-23913-0040		BRUSH SPRING	4		
7-4	1-23740-0354		BRUSH CO	4		
7-5	0-09001-4380		BOLT	2		THROUGH BOLT
7-6	1-25922-2800		PLATE	4		
7-7	0-09001-4181		BOLT	2		
7-8	0-0020-05062		SCREW	1		
8	0-25000-8641		SWITCH	1		
8-1	0-0270-06602		BOLT	1		
8-2	1-47927-0940		HOLDER	1		
#2	1-23921-0130		WASHER	1		
#3	1-23921-0140		WASHER	1		適宜
#4	1-23941-0040		INSULATE WASHER	1		
#5	0-23921-0230		WASHER	1		適宜
※	7-09210-2880		SEAL ASSY	1		
△	7-47761-0010		MAG.SWITCH COVER ASSY	1		
□	7-47761-0030		SWITCH COVER ASSY	1		

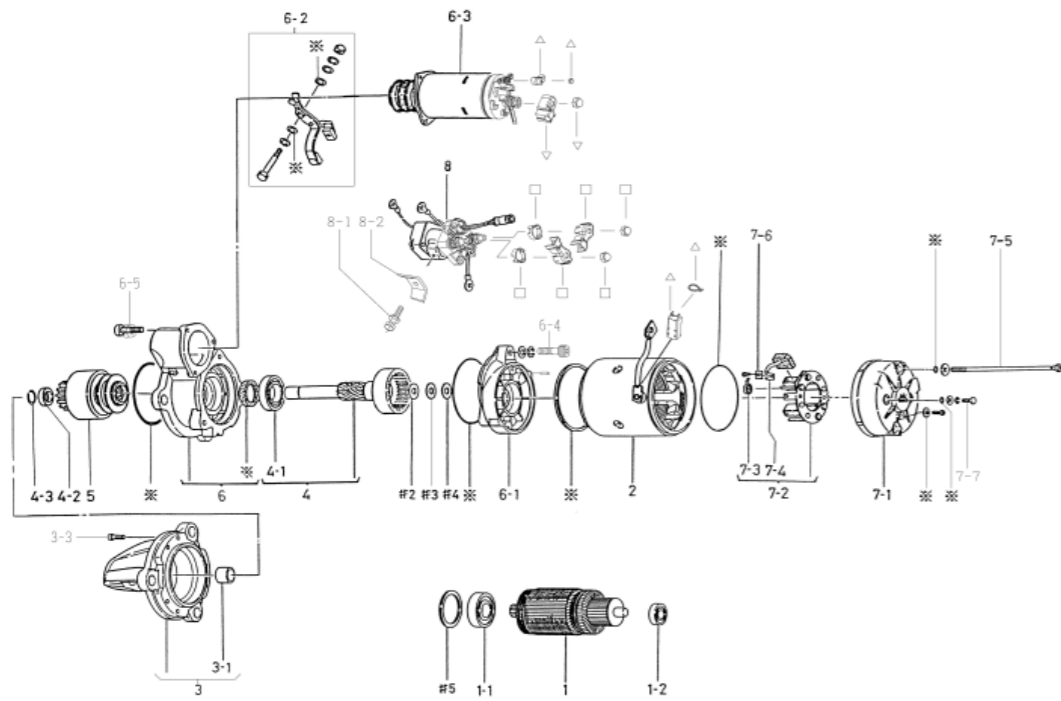


0-23000-8295

※	7-09210-2880	SEAL ASSY	
	1-0345-05001	SEAL WASHER	1
	1-0345-08001	SEAL WASHER	2
	1-23951-0050	PACKING	1
	1-09210-1040	OIL SEAL	1
	1-0505-00501	O RING	2
	1-0505-00601	O RING	2
	1-09211-0980	O RING	2
	1-09211-1120	O RING	1

0-23000-8300 STARTING MOTOR

OEM CUSTOMER	KOMATSU	OEM PARTS NUMBER	600-813-3632
NOMINAL OUT PUT	24V 7.5Kw	SUPPLY TERM	02.06~
WEIGHT	18kg	SWITCH	SAFETY RELAY (INSTALLED ON RIGHT)
ENGINE MODEL	S6D125		
VEHICLE	PC300, PC400-3, OTHERS		
DESIGN RECORD	6530→6531	REAR BRACKET CHANGED (METAL→BEARING)	
	6531→6532	SFR CHANGED	
	6532→6533	SFR CHANGED	
	6533→8300	JUMP START PROTECTION, SFR & MAG.SWITCH CHANGED	
NOTE	WATER PROOF OIL PROOF φ114 DIFFERENT SFR FROM THAT OF 0-23000-8290		



0-23000-8300

0-23000-8300 STARTING MOTOR (MAKER PART NO 600-813-3632)

No	Parts Number	Maker Parts No	Description	Qty	List Price	Note
1	0-23100-0231		ARMATURE CO	1		
1-1	1-0456-62047		BALL BEARING	1		FRONT
1-2	1-0456-62007		BALL BEARING	1		REAR
2	0-23200-1120		YOKE ASSY	1		INC. 2 PCS EACH OF 7-4 & 7-6
3	1-23310-0405		FRONT BRACKET CO	1		INCLUDING 3-1
3-1	7-23351-0085		METAL	1		FRONT
3-3	1-0240-06305		BOLT	6		
4	7-23120-0090		SHAFT ASSY	1		INCLUDING 4-1
4-1	1-0456-60067		BALL BEARING	1		CENTER
4-2	1-23181-0020		PINION STOPPER	1		
4-3	1-23914-0020		CLIP RING	1		
5	1-23500-0174		O.R.CLUTCH ASSY	1		
6	0-23600-0101		CENTER BRACKET ASSY	1		INCLUDING OIL SEAL
6-1	1-23611-0080		CENTER BRACKET	1		
6-2	7-23320-0120		SHIFT LEVER ASSY	1		
6-3	7-47100-0250		MAG.SWITCH ASSY	1		
6-4	1-0240-08405		BOLT	3		
6-5	0-0274-06202		BOLT	3		
7-1	0-23711-0221		REAR BRACKET	1		
7-2	7-23750-0024		BRUSH HOLDER CO	1		INCLUDING 7-3, 7-4, 7-6
7-3	1-23913-0040		BRUSH SPRING	4		
7-4	1-23740-0354		BRUSH CO	4		
7-5	0-09001-4380		BOLT	2		THROUGH BOLT
7-6	1-25922-2800		PLATE	4		
7-7	0-09001-4181		BOLT	2		
8	0-25000-9250		SWITCH	1		
8-1	0-0270-06602		BOLT	1		
8-2	1-47927-0940		HOLDER	1		
#2	1-23921-0130		WASHER	1		
#3	1-23921-0140		WASHER	1		FOR ADJUSTMENT
#4	1-23941-0040		INSULATE WASHER	1		
#5	0-23921-0230		WASHER	2		FOR ADJUSTMENT
※	7-09210-2880		SEAL ASSY	1		
△	7-47761-0010		MAG.SWITCH COVER ASSY	1		
□	7-47761-0030		SWITCH COVER ASSY	1		

※	7-09210-2880	SEAL ASSY	
	1-0345-05001	SEAL WASHER	1
	1-0345-08001	SEAL WASHER	2
	1-23951-0050	PACKING	1
	1-09210-1040	OIL SEAL	1
	1-0505-00501	O RING	2
	1-0505-00601	O RING	2
	1-09211-0980	O RING	2
	1-09211-1120	O RING	1

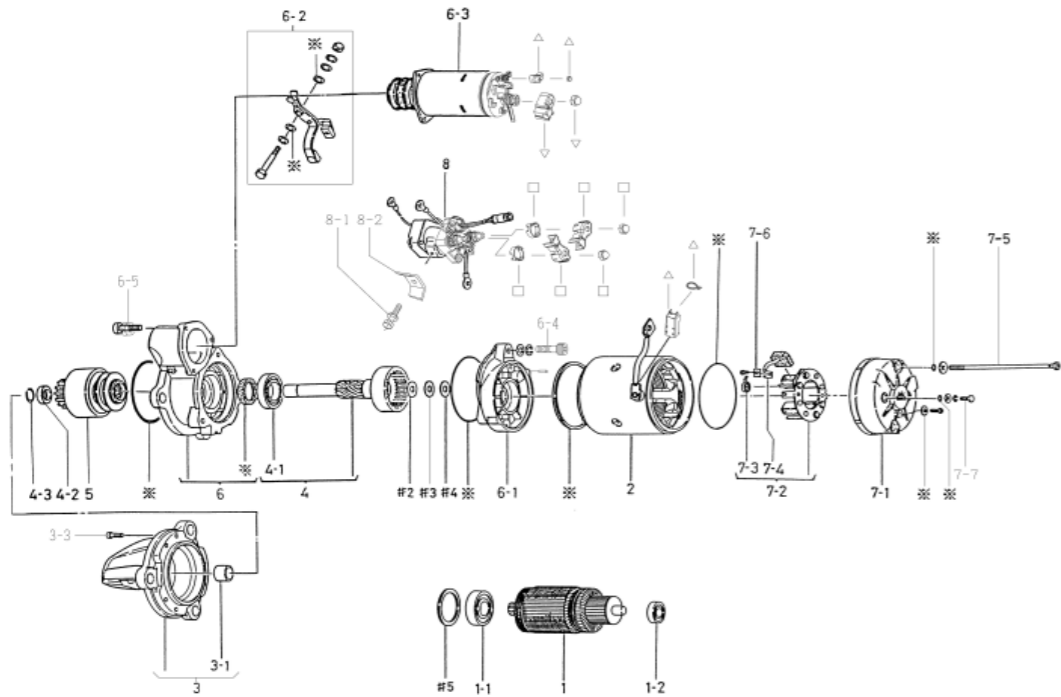
0-23000-8305 STARTING MOTOR

OEM CUSTOMER	KOMATSU	OEM PARTS NUMBER	600-813-3633
NOMINAL OUT PUT	24V 7.5Kw	SUPPLY TERM	15.06~
WEIGHT	18kg	SWITCH	SAFETY RELAY (INSTALLED ON RIGHT)
ENGINE MODEL	S6D125		
VEHICLE	PC300, PC400-3, OTHERS		
DESIGN RECORD	6530→6531	REAR BRACKET CHANGED (METAL→BEARING)	
	6531→6532	SFR CHANGED	
	6532→6533	SFR CHANGED	
	6533→8300	JUMP START PROTECTION, SFR & MAG.SWITCH CHANGED	
	8300→8305	CAUTION PLATE CHANGED	
NOTE	WATER PROOF OIL PROOF ϕ 114 DIFFERENT SFR FROM THAT OF 0-23000-8295		

0-23000-8305 STARTING MOTOR (MAKER PART NO 600-813-3633)

No	Parts Number	Maker Parts No	Description	Qty	List Price	Note
1	0-23100-0231		ARMATURE CO	1		
1-1	1-0456-62047		BALL BEARING	1		FRONT
1-2	1-0456-62007		BALL BEARING	1		REAR
2	0-23200-1120		YOKE ASSY	1		INC. 2 PCS EACH OF 7-4 & 7-6
3	0-23310-0405		FRONT BRACKET CO	1		INCLUDING 3-1
3-1	7-23351-0085		METAL	1		FRONT
3-3	1-0240-06305		BOLT	6		
4	7-23120-0090		SHAFT ASSY	1		INCLUDING 4-1
4-1	1-0456-60067		BALL BEARING	1		CENTER
4-2	1-23181-0020		PINION STOPPER	1		
4-3	1-23914-0020		CLIP RING	1		
5	1-23500-0174		O.R.CLUTCH ASSY	1		
6	0-23600-0101		CENTER BRACKET ASSY	1		INCLUDING OIL SEAL
6-1	1-23611-0080		CENTER BRACKET	1		
6-2	7-23320-0120		SHIFT LEVER ASSY	1		
6-3	7-47100-0254		MAG.SWITCH ASSY	1		
6-4	1-0240-08405		BOLT	3		
6-5	0-0274-06202		BOLT	3		
7-1	0-23711-0221		REAR BRACKET	1		
7-2	7-23750-0024		BRUSH HOLDER CO	1		INCLUDING 7-3, 7-4, 7-6
7-3	1-23913-0040		BRUSH SPRING	4		
7-4	1-23740-0354		BRUSH CO	4		
7-5	0-09001-4380		BOLT	2		THROUGH BOLT
7-6	1-25922-2800		PLATE	4		
7-7	0-09001-4181		BOLT	2		
8	0-25000-9250		SWITCH	1		
8-1	0-0270-06602		BOLT	1		
8-2	1-47927-0940		HOLDER	1		
#2	1-23921-0130		WASHER	1		
#3	1-23921-0140		WASHER	1		FOR ADJUSTMENT
#4	1-23941-0040		INSULATE WASHER	1		
#5	0-23921-0230		WASHER	2		FOR ADJUSTMENT
※	7-09210-2880		SEAL ASSY	1		
△	7-47761-0010		MAG.SWITCH COVER ASSY	1		
□	7-47761-0030		SWITCH COVER ASSY	1		

※	7-09210-2880	SEAL ASSY	
	1-0345-05001	SEAL WASHER	1
	1-0345-08001	SEAL WASHER	2
	1-23951-0050	PACKING	1
	1-09210-1040	OIL SEAL	1
	1-0505-00501	O RING	2
	1-0505-00601	O RING	2
	1-09211-0980	O RING	2
	1-09211-1120	O RING	1



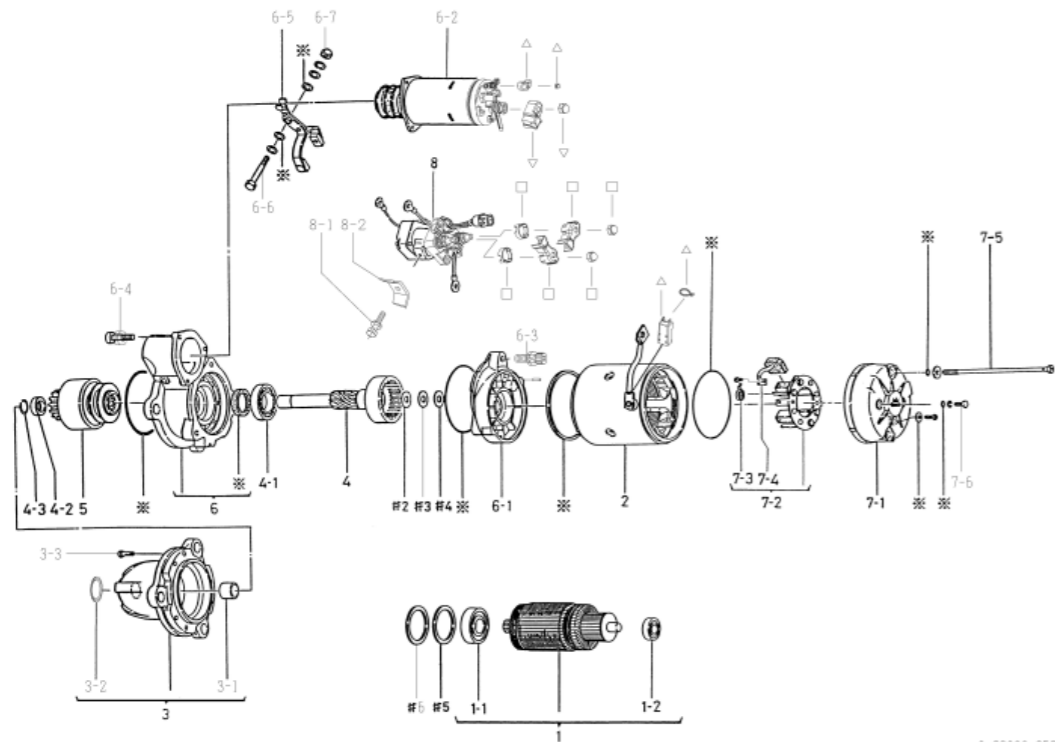
0-23000-8305

0-23000-8530 STARTING MOTOR

OEM CUSTOMER	KOMATSU	OEM PARTS NUMBER	600-813-9910
NOMINAL OUT PUT	24V 11Kw	SUPPLY TERM	06.02~
WEIGHT	17.6kg	SWITCH	SAFETY RELAY (INSTALLED ON RIGHT)
ENGINE MODEL	SAA12V140E-3C		
VEHICLE	PC2000-8		
DESIGN RECORD			
NOTE	WATER PROOF OIL PROOF φ114		

0-23000-8530 STARTING MOTOR (MAKER PART NO 600-813-9910)

No	Parts Number	Maker Parts No	Description	Qty	List Price	Note
1	0-23100-0430		ARMATURE CO	1		INCLUDING 1-1, 1-2
1-1	1-0456-62057		BALL BEARING	1		FRONT
1-2	1-0456-62017		BALL BEARING	1		REAR
2	0-23200-1051		YOKE ASSY	1		INCLUDING 2 PCS OF 7-4
3	0-23310-1824		FRONT BRACKET CO	1		INCLUDING 3-1, 3-2
3-1	7-23351-0085		METAL	1		FRONT
3-2	1-23761-0010		COVER	1		
3-3	1-0240-06305		BOLT	6		
4	0-23120-0180		SHAFT CO	1		
4-1	0-09201-0850		BALL BEARING	1		CENTER
4-2	1-23181-0020		PINION STOPPER	1		
4-3	1-23914-0020		CLIP RING	1		
5	0-23500-1024		O.R.CLUTCH ASSY	1		
6	0-23600-0490		CENTER BRACKET ASSY	1		INCLUDING OIL SEAL
6-1	0-23611-1102		CENTER BRACKET	1		
6-2	7-47100-0360		MAG.SWITCH ASSY	1		
6-3	0-0276-08402		BOLT	3		
6-4	0-0274-06202		BOLT	3		
6-5	0-23320-0290		SHIFT LEVER CO	1		
6-6	0-23303-0020		LEVER PIN	1		
6-7	1-09279-0090		NUT	1		
7-1	0-23710-0221		REAR BRACKET CO	1		
7-2	7-23750-0150		BRUSH HOLDER CO	1		INCLUDING 7-3, 7-4
7-3	1-23913-0040		BRUSH SPRING	4		
7-4	0-23740-0354		BRUSH CO	4		
7-5	0-09001-4380		BOLT	2		THROUGH BOLT
7-6	0-09011-3140		SCREW	2		
8	0-25000-9071		SWITCH	1		
8-1	0-0270-06602		BOLT	1		
8-2	0-47927-1390		HOLDER	1		
#2	1-23921-0130		WASHER	1		
#3	1-23921-0140		WASHER	1		FOR ADJUSTMENT
#4	1-23941-0040		INSULATE WASHER	1		
#5	0-09057-0110		WASHER	1		FOR ADJUSTMENT
#6	0-09057-0190		WASHER	1		
※	7-09210-2910		SEAL ASSY	1		
△	7-47761-0010		MAG.SWITCH COVER ASSY	1		
□	7-47761-0030		SWITCH COVER ASSY	1		



0-23000-8530

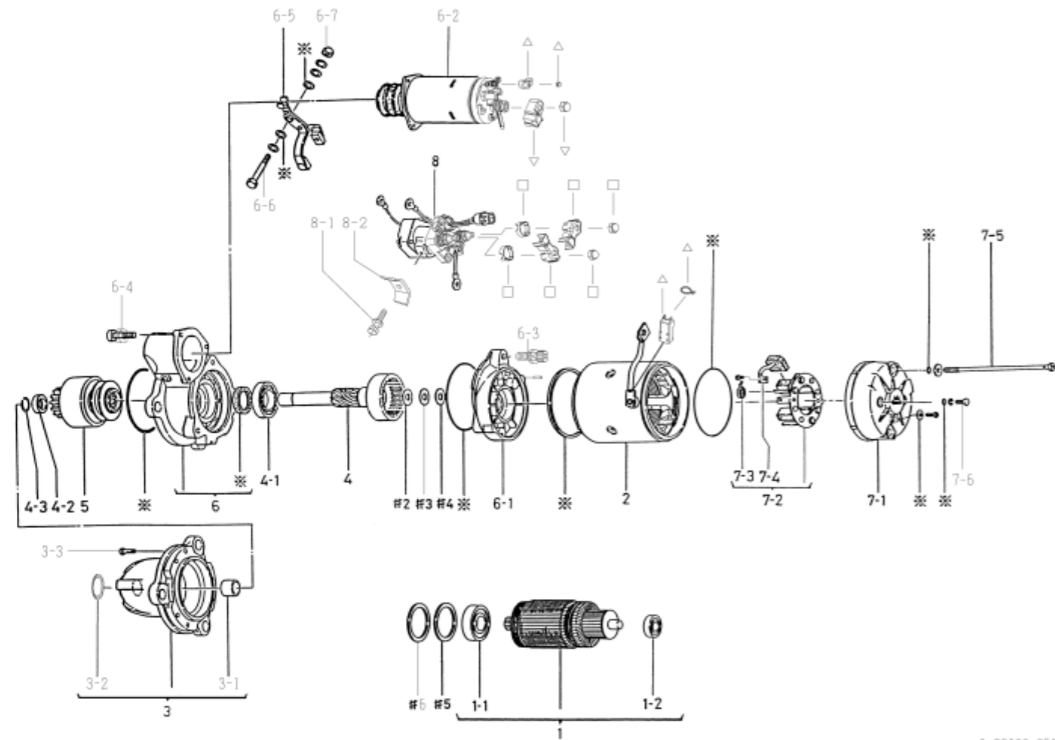
※	7-09210-2910	SEAL ASSY	
	1-0345-05001	SEAL WASHER	1
	1-0345-08001	SEAL WASHER	2
	1-23951-0051	PACKING	1
	1-09210-1060	OIL SEAL	1
	1-09211-0081	O RING	4
	1-09211-0981	O RING	2
	1-09211-1120	O RING	1

0-23000-8534 STARTING MOTOR

OEM CUSTOMER	KOMATSU	OEM PARTS NUMBER	600-813-9911
NOMINAL OUT PUT	24V 11Kw	SUPPLY TERM	15.06~
WEIGHT	17.6kg	SWITCH	SAFETY RELAY (INSTALLED ON RIGHT)
ENGINE MODEL	SAA12V140E-3C		
VEHICLE	PC2000-8		
DESIGN RECORD	8530→8534 CAUTION PLATE CHANGED		
NOTE	WATER PROOF OIL PROOF φ114		

0-23000-8534 STARTING MOTOR (MAKER PART NO 600-813-9911)

No	Parts Number	Maker Parts No	Description	Qty	List Price	Note
1	0-23100-0430		ARMATURE CO	1		INCLUDING 1-1, 1-2
1-1	1-0456-62057		BALL BEARING	1		FRONT
1-2	1-0456-62017		BALL BEARING	1		REAR
2	0-23200-1051		YOKE ASSY	1		INCLUDING 2 PCS OF 7-4
3	0-23310-1824		FRONT BRACKET CO	1		INCLUDING 3-1, 3-2
3-1	7-23351-0085		METAL	1		FRONT
3-2	1-23761-0010		COVER	1		
3-3	1-0240-06305		BOLT	6		
4	0-23120-0180		SHAFT CO	1		
4-1	0-09201-0850		BALL BEARING	1		CENTER
4-2	1-23181-0020		PINION STOPPER	1		
4-3	1-23914-0020		CLIP RING	1		
5	0-23500-1024		O.R.CLUTCH ASSY	1		
6	0-23600-0490		CENTER BRACKET ASSY	1		INCLUDING OIL SEAL
6-1	0-23611-1102		CENTER BRACKET	1		
6-2	7-47100-0364		MAG.SWITCH ASSY	1		
6-3	0-0276-08402		BOLT	3		
6-4	0-0274-06202		BOLT	3		
6-5	0-23320-0290		SHIFT LEVER CO	1		
6-6	0-23303-0020		LEVER PIN	1		
6-7	1-09279-0090		NUT	1		
7-1	0-23710-0221		REAR BRACKET CO	1		
7-2	7-23750-0150		BRUSH HOLDER CO	1		INCLUDING 7-3, 7-4
7-3	1-23913-0040		BRUSH SPRING	4		
7-4	0-23740-0354		BRUSH CO	4		
7-5	0-09001-4380		BOLT	2		THROUGH BOLT
7-6	0-09011-3140		SCREW	2		
8	0-25000-9071		SWITCH	1		
8-1	0-0270-06602		BOLT	1		
8-2	0-47927-1390		HOLDER	1		
#2	1-23921-0130		WASHER	1		
#3	1-23921-0140		WASHER	1		FOR ADJUSTMENT
#4	1-23941-0040		INSULATE WASHER	1		
#5	0-09057-0110		WASHER	1		FOR ADJUSTMENT
#6	0-09057-0190		WASHER	1		
※	7-09210-2910		SEAL ASSY	1		
△	7-47761-0010		MAG.SWITCH COVER ASSY	1		
□	7-47761-0030		SWITCH COVER ASSY	1		



0-23000-8534

※	7-09210-2910	SEAL ASSY	
	1-0345-05001	SEAL WASHER	1
	1-0345-08001	SEAL WASHER	2
	1-23951-0051	PACKING	1
	1-09210-1060	OIL SEAL	1
	1-09211-0081	O RING	4
	1-09211-0981	O RING	2
	1-09211-1120	O RING	1

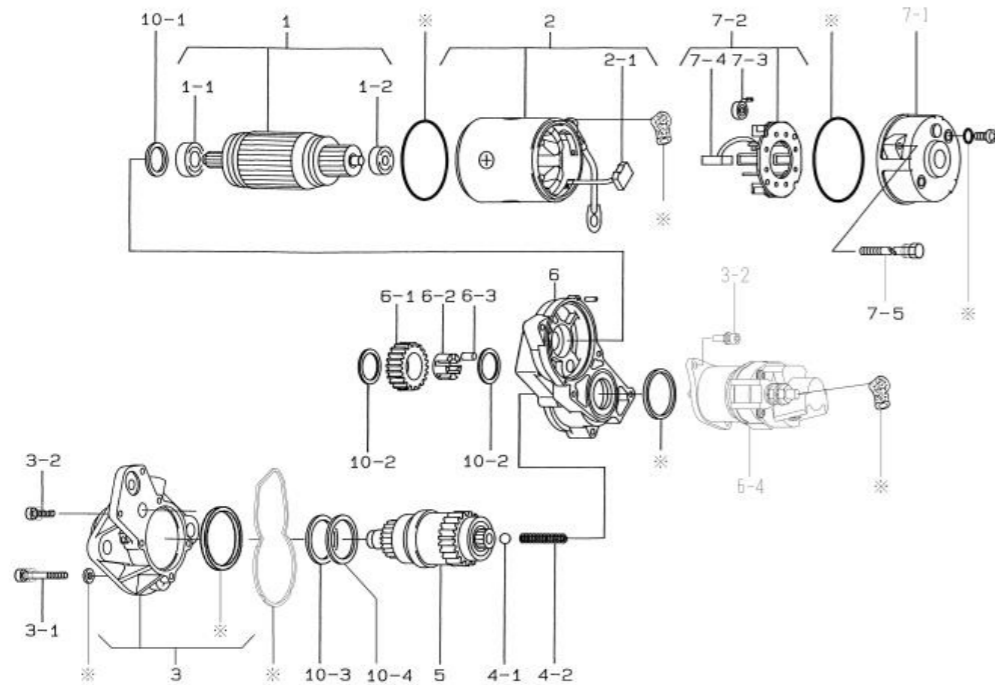
0-24000-0030 STARTING MOTOR

OEM CUSTOMER	KOMATSU	OEM PARTS NUMBER	600-863-3110
NOMINAL OUT PUT	24V 3Kw	SUPPLY TERM	99.02~
WEIGHT	7.8kg	SWITCH	N/A
ENGINE MODEL	4D95LE-2B, OTHERS		
VEHICLE	PC60, PC70EN-7, OTHERS		
DESIGN RECORD			
NOTE	DRIP PROOF OIL PROOF $\phi 83$ 0-24000-0044 CAN BE SUBSTITUTE. 0-24000-0044 IS JUMP START PROTECTION VERSION OF 0-24000-0030		

0-24000-0030 STARTING MOTOR (MAKER PART NO 600-863-3110)

No	Parts Number	Maker Parts No	Description	Qty	List Price	Note
1	0-24100-0080		ARMATURE CO	1		INCLUDING 1-1, 1-2
1-1	1-0456-60037		BALL BEARING	1		FRONT
1-2	1-0456-06387		BALL BEARING	1		REAR
2	7-24200-0114		YOKE ASSY	1		INCLUDING 2-1
2-1	0-24740-0128		BRUSH CO	2		(+)
3	0-24300-0030		FRONT BRACKET CO	1		INCLUDING OIL SEAL
3-1	0-09001-5370		BOLT	4		
3-2	0-09001-5190		BOLT	4		
4-1	0-09203-0010		BALL	1		
4-2	0-47911-1300		SPRING	1		
5	0-24500-0144		O.R.GLUTCH ASSY	1		
6	0-24610-0020		CENTER BRACKET CO	1		
6-1	0-24511-0040		PINION	1		
6-2	0-24927-0030		HOLDER	1		
6-3	1-21904-0230		PIN	5		
6-4	0-47100-4690		MAG.SWITCH ASSY	1		
7-1	0-24711-0130		REAR BRACKET CO	1		
7-2	0-24750-0104		BRUSH HOLDER CO	1		INCLUDING 7-3, 7-4
7-3	1-23913-0010		BRUSH SPRING	4		
7-4	0-24740-0128		BRUSH CO	2		(-)
7-5	0-09001-5160		BOLT	2		THROUGH BOLT
10-1	1-23921-0150		WASHER	1		ADJUSTMENT
10-2	0-24921-0010		WASHER	1		
10-3	0-24921-0050		WASHER	1		10-3 OR 10-4 MUST BE USED FOR ADJUSTMENT
10-4	0-24921-0030		WASHER	1		10-3 OR 10-4 MUST BE USED FOR ADJUSTMENT
※	7-09210-2640		SEAL ASSY	1		

※	7-09210-2640	SEAL ASSY	
	1-09211-0520	O RING	2
	1-0505-00501	O RING	4
	0-09211-1440	O RING	1
	0-09210-1250	OIL SEAL	1
	0-24951-0100	PACKING	1
	0-24951-0070	PACKING	1
	0-24951-0050	PACKING	1
	0-09252-0630	GUM CAP	2



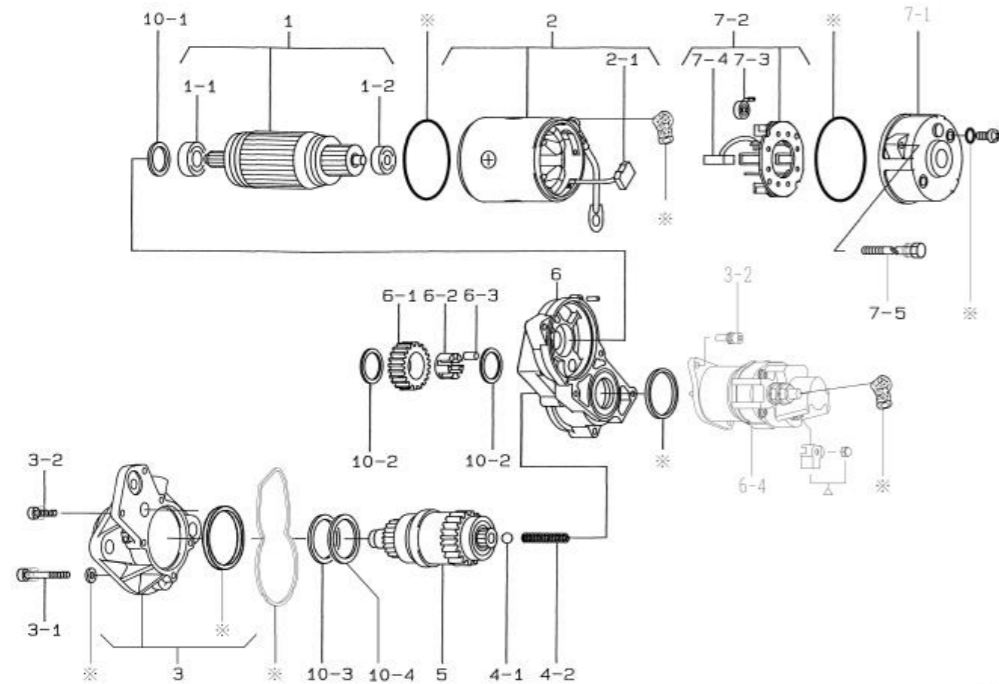
0-24000-0030

0-24000-0040 STARTING MOTOR

OEM CUSTOMER	KOMATSU	OEM PARTS NUMBER	600-863-3210
NOMINAL OUT PUT	24V 3Kw	SUPPLY TERM	02.07~
WEIGHT	7.8kg	SWITCH	N/A
ENGINE MODEL	S4D95LE-3A, OTHERS		
VEHICLE	PC78US-6E, OTHERS		
DESIGN RECORD			
NOTE	DRIP PROOF OIL PROOF $\phi 83$ JUMP START PROTECTION VERSION OF 0-24000-0030		

0-24000-0040 STARTING MOTOR (MAKER PART NO 600-863-3210)

No	Parts Number	Maker Parts No	Description	Qty	List Price	Note
1	0-24100-0080		ARMATURE CO	1		INCLUDING 1-1, 1-2
1-1	1-0456-60037		BALL BEARING	1		FRONT
1-2	1-0456-06387		BALL BEARING	1		REAR
2	7-24200-0014		YOKE ASSY	1		INCLUDING 2-1
2-1	0-24740-0128		BRUSH CO	2		(+)
3	0-24300-0030		FRONT BRACKET CO	1		INCLUDING OIL SEAL
3-1	0-09001-5370		BOLT	4		
3-2	0-09001-5190		BOLT	4		
4-1	0-09203-0010		BALL	1		
4-2	0-47911-1300		SPRING	1		
5	0-24500-0144		O.R.GLUTCH ASSY	1		
6	0-24610-0020		CENTER BRACKET CO	1		
6-1	0-24511-0040		PINION	1		
6-2	0-24927-0030		HOLDER	1		
6-3	1-21904-0230		PIN	5		
6-4	0-47100-4810		MAG.SWITCH ASSY	1		
7-1	0-24711-0130		REAR BRACKET CO	1		
7-2	0-24750-0104		BRUSH HOLDER CO	1		INCLUDING 7-3 ,7-4
7-3	1-23913-0010		BRUSH SPRING	4		
7-4	0-24740-0128		BRUSH CO	2		(-)
7-5	0-09001-5160		BOLT	2		THROUGH BOLT
10-1	1-23921-0150		WASHER	1		FOR ADJUSTMENT
10-2	0-24921-0010		WASHER	1		
10-3	0-24921-0050		WASHER	1		10-3 OR 10-4 MUST BE USED FOR ADJUSTMENT
10-4	0-24921-0030		WASHER	1		10-3 OR 10-4 MUST BE USED FOR ADJUSTMENT
※	7-09210-2640		SEAL ASSY	1		
△	7-47761-0020		COVER	1		



0-24000-0040

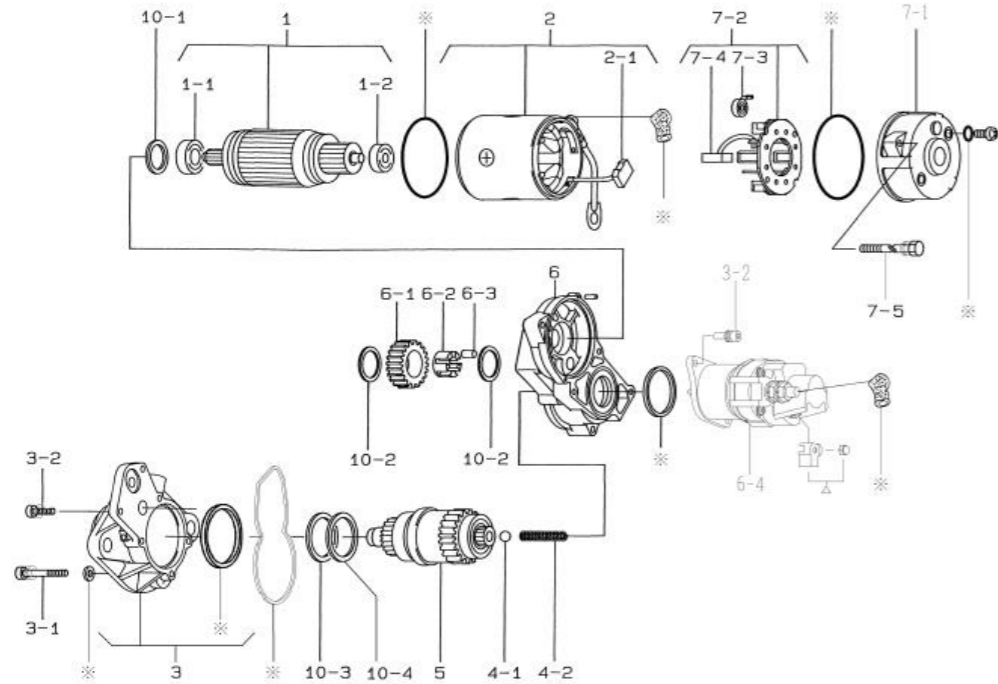
※	7-09210-2640	SEAL ASSY	
	1-09211-0520	O RING	2
	1-0505-00501	O RING	4
	0-09211-1440	O RING	1
	0-09210-1250	OIL SEAL	1
	0-24951-0100	PACKING	1
	0-24951-0070	PACKING	1
	0-24951-0050	PACKING	1
	0-09252-0630	GUM CAP	2

0-24000-0044 STARTING MOTOR

OEM CUSTOMER	KOMATSU	OEM PARTS NUMBER	600-863-3211
NOMINAL OUT PUT	24V 3Kw	SUPPLY TERM	15.06~
WEIGHT	7.8kg	SWITCH	
ENGINE MODEL	S4D95LE-3A, OTHERS		
VEHICLE	PC78US-6E, OTHERS		
DESIGN RECORD	0040→0044 CAUTION PLATE CHANGED		
NOTE	DRIP PROOF OIL PROOF φ83 JUMP START PROTECTION VERSION OF 0-24000-0030		

0-24000-0044 STARTING MOTOR (MAKER PART NO 600-863-3211)

No	Parts Number	Maker Parts No	Description	Qty	List Price	Note
1	0-24100-0080		ARMATURE CO	1		INCLUDING 1-1, 1-2
1-1	1-0456-60037		BALL BEARING	1		FRONT
1-2	1-0456-06387		BALL BEARING	1		REAR
2	7-24200-0015		YOKE ASSY	1		INCLUDING 2-1
2-1	0-24740-0128		BRUSH CO	2		(+)
3	0-24300-0030		FRONT BRACKET CO	1		INCLUDING OIL SEAL
3-1	0-09001-5370		BOLT	4		
3-2	0-09001-5190		BOLT	4		
4-1	0-09203-0010		BALL	1		
4-2	0-47911-1300		SPRING	1		
5	0-24500-0144		O.R.GLUTCH ASSY	1		
6	0-24610-0020		CENTER BRACKET CO	1		
6-1	0-24511-0040		PINION	1		
6-2	0-24927-0030		HOLDER	1		
6-3	1-21904-0230		PIN	5		
6-4	0-47100-4810		MAG.SWITCH ASSY	1		
7-1	0-24711-0130		REAR BRACKET CO	1		
7-2	0-24750-0104		BRUSH HOLDER CO	1		INCLUDING 7-3 ,7-4
7-3	1-23913-0010		BRUSH SPRING	4		
7-4	0-24740-0128		BRUSH CO	2		(-)
7-5	0-09001-5160		BOLT	2		THROUGH BOLT
10-1	1-23921-0150		WASHER	1		FOR ADJUSTMENT
10-2	0-24921-0010		WASHER	1		
10-3	0-24921-0050		WASHER	1		10-3 OR 10-4 MUST BE USED FOR ADJUSTMENT
10-4	0-24921-0030		WASHER	1		10-3 OR 10-4 MUST BE USED FOR ADJUSTMENT
※	7-09210-2640		SEAL ASSY	1		
△	7-47761-0020		COVER	1		



0-24000-0044

※	7-09210-2640	SEAL ASSY	
	1-09211-0520	O RING	2
	1-0505-00501	O RING	4
	0-09211-1440	O RING	1
	0-09210-1250	OIL SEAL	1
	0-24951-0100	PACKING	1
	0-24951-0070	PACKING	1
	0-24951-0050	PACKING	1
	0-09252-0630	GUM CAP	2

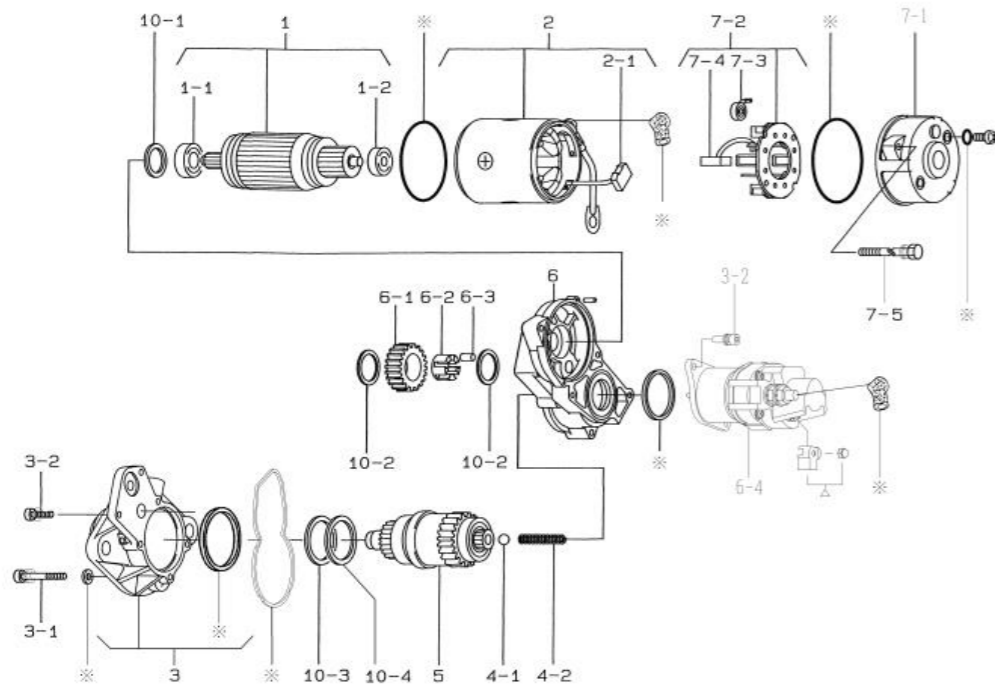
0-24000-0060 STARTING MOTOR

OEM CUSTOMER	KOMATSU	OEM PARTS NUMBER	600-863-3220
NOMINAL OUT PUT	24V 3Kw	SUPPLY TERM	03.06~
WEIGHT	7.8kg	SWITCH	N/A
ENGINE MODEL	4D95LE-2B		
VEHICLE	PC60		
DESIGN RECORD			
NOTE	DRIP PROOF OIL PROOF $\phi 83$ 0-24000-0044 CAN BE SUBSTITUTE. 0-240000-0060 IS SAME AS 0-24000-0044 WITHOUT CAUTION PLATE.		

0-24000-0060 STARTING MOTOR (MAKER PART NO 600-863-3220)

No	Parts Number	Maker Parts No	Description	Qty	List Price	Note
1	0-24100-0080		ARMATURE CO	1		INCLUDING 1-1, 1-2
1-1	1-0456-60037		BALL BEARING	1		FRONT
1-2	1-0456-06387		BALL BEARING	1		REAR
2	7-24200-0114		YOKE ASSY	1		INCLUDING 2-1
2-1	0-24740-0128		BRUSH CO	2		(+)
3	0-24300-0030		FRONT BRACKET CO	1		INCLUDING OIL SEAL
3-1	0-09001-5370		BOLT	4		
3-2	0-09001-5190		BOLT	4		
4-1	0-09203-0010		BALL	1		
4-2	0-47911-1300		SPRING	1		
5	0-24500-0144		O.R.GLUTCH ASSY	1		
6	0-24610-0020		CENTER BRACKET CO	1		
6-1	0-24511-0040		PINION	1		
6-2	0-24927-0030		HOLDER	1		
6-3	1-21904-0230		PIN	5		
6-4	0-47100-4810		MAG.SWITCH ASSY	1		
7-1	0-24711-0130		REAR BRACKET CO	1		
7-2	0-24750-0104		BRUSH HOLDER CO	1		INCLUDING 7-3 ,7-4
7-3	1-23913-0010		BRUSH SPRING	4		
7-4	0-24740-0128		BRUSH CO	2		(-)
7-5	0-09001-5160		BOLT	2		THROUGH BOLT
10-1	1-23921-0150		WASHER	1		FOR ADJUSTMENT
10-2	0-24921-0010		WASHER	1		
10-3	0-24921-0050		WASHER	1		10-3 OR 10-4 MUST BE USED FOR ADJUSTMENT
10-4	0-24921-0030		WASHER	1		10-3 OR 10-4 MUST BE USED FOR ADJUSTMENT
※	7-09210-2640		SEAL ASSY	1		
△	7-47761-0020		COVER	1		

※	7-09210-2640	SEAL ASSY	
	1-09211-0520	O RING	2
	1-0505-00501	O RING	4
	0-09211-1440	O RING	1
	0-09210-1250	OIL SEAL	1
	0-24951-0100	PACKING	1
	0-24951-0070	PACKING	1
	0-24951-0050	PACKING	1
	0-09252-0630	GUM CAP	2



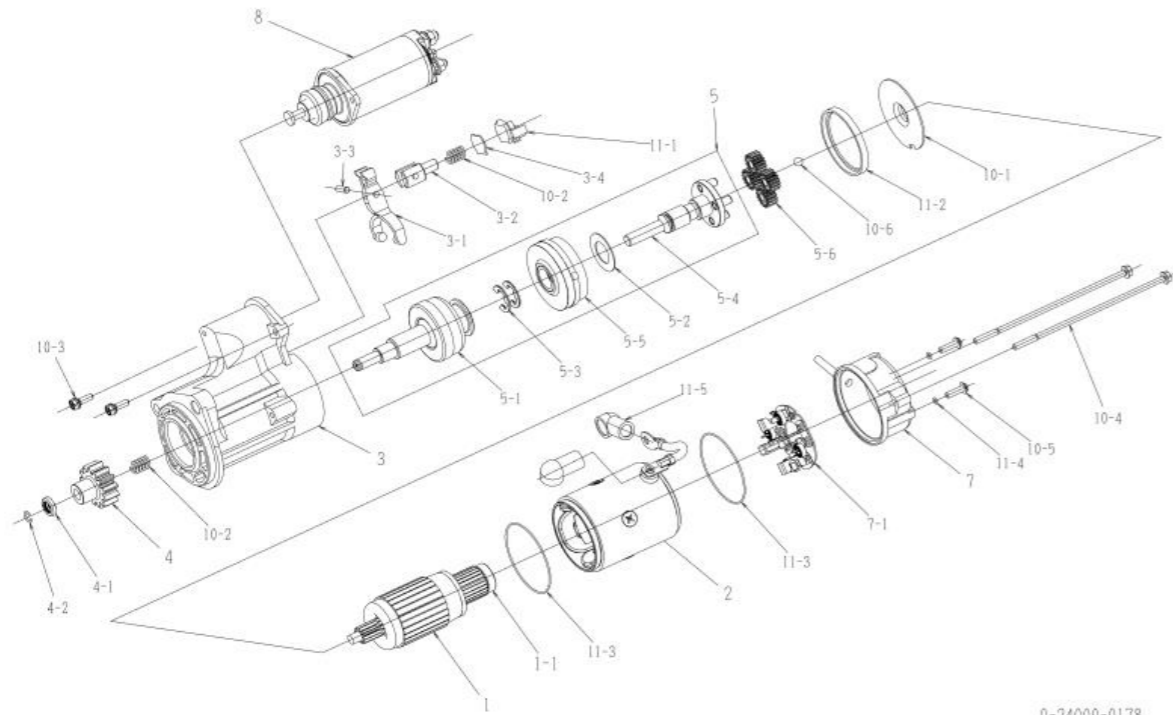
0-24000-0060

0-24000-0178 STARTING MOTOR

OEM CUSTOMER	ISUZU	OEM PARTS NUMBER	8-98070321-1
NOMINAL OUT PUT	24V 5Kw	SUPPLY TERM	06.12~
WEIGHT	8kg	SWITCH	N/A
ENGINE MODEL	4HK1T		
VEHICLE	POWER (EXCAVATOR, OTHERS)		
DESIGN RECORD	0088 → 0148	IDLE GEAR CHANGED	
	0148 → 0168	SHAFT CHANGED	
	0168 → 0178	F. BRACKET CHANGED	
NOTE	DRIP PROOF φ83		

0-24000-0178 STARTING MOTOR (MAKER PART NO 8-98070321-1)

No	Parts Number	Maker Parts No	Description	Qty	List Price	Note
1	0-24100-0178	8-98017149-0	ARMATURE CO	1		INCLUDING 1-1
1-1	1-0456-62007	1-81129196-0	BALL BEARING	1		
2	0-24200-0178	8-98017123-0	YOKE ASSY	1		
3	0-24310-0088	8-98073930-0	FRONT BRACKET CO	1		
3-1	0-24320-0020	8-98017125-0	SHIFT LEVER CO	1		
3-2	0-24927-0070	8-98017126-0	HOLDER	1		
3-3	0-23904-0070	8-94340471-0	PIN	1		
3-4	0-24922-0098		PLATE	1		
4	0-24511-0190	8-98017129-0	PINION	1		
4-1	0-24181-0050	8-98017131-0	PINION STOPPER	1		
4-2	0-09066-0090	8-98017134-0	CLIP RING	1		
5	0-24500-0213	8-98070324-0	O.R.CLUTCH ASSY	1		INCLUDING 5-1TO 5-5
5-1	0-24500-0222	8-98070325-0	O.R.CLUTCH ASSY	1		
5-2	0-09057-0270	8-98017137-0	WASHER	1		
5-3	0-09067-0200	8-98017138-0	STOP RING	2		
5-4	0-24120-0043	8-98070326-0	SHAFT CO	1		
5-5	0-24610-0040	8-98017142-0	CENTER BRACKET CO	1		
5-6	0-24510-0023	8-98054064-0	PINION CO	4		
7	0-24710-0168	8-98017143-0	REAR BRACKET CO	1		INCLUDING 11-6
7-1	0-24750-0188	8-98017144-0	BRUSH HOLDER CO	1		
8	0-47100-5208	8-98017145-0	MAG.SWITCH ASSY	1		
10-1	0-24761-0090	8-98017146-0	COVER	1		
10-2	0-24911-0170	8-98017146-0	SPRING	2		
10-3	0-0274-06202	8-94178026-0	BOLT	2		
10-4	0-09001-4890	8-97020269-0	BOLT	2		THROUGH BOLT
10-5	0-09011-2850	1-81129602-0	SCREW	2		
10-6	0-09203-0010	1-81129713-0	BALL	1		
11-#	7-09210-2930	8-98017148-0	SEAL ASSY			INCLUDING 11-1 TO 11-6
11-1	0-24951-0210		PACKING	1		
11-2	0-24951-0220		PACKING	1		
11-3	0-09211-1440		O RING	2		
11-4	1-09211-0520	1-81229215-0	O RING	2		
11-5	1-09252-0430	1-81129265-0	GUM CAP	2		
11-6	0-24952-0020		GUM CAP	1		



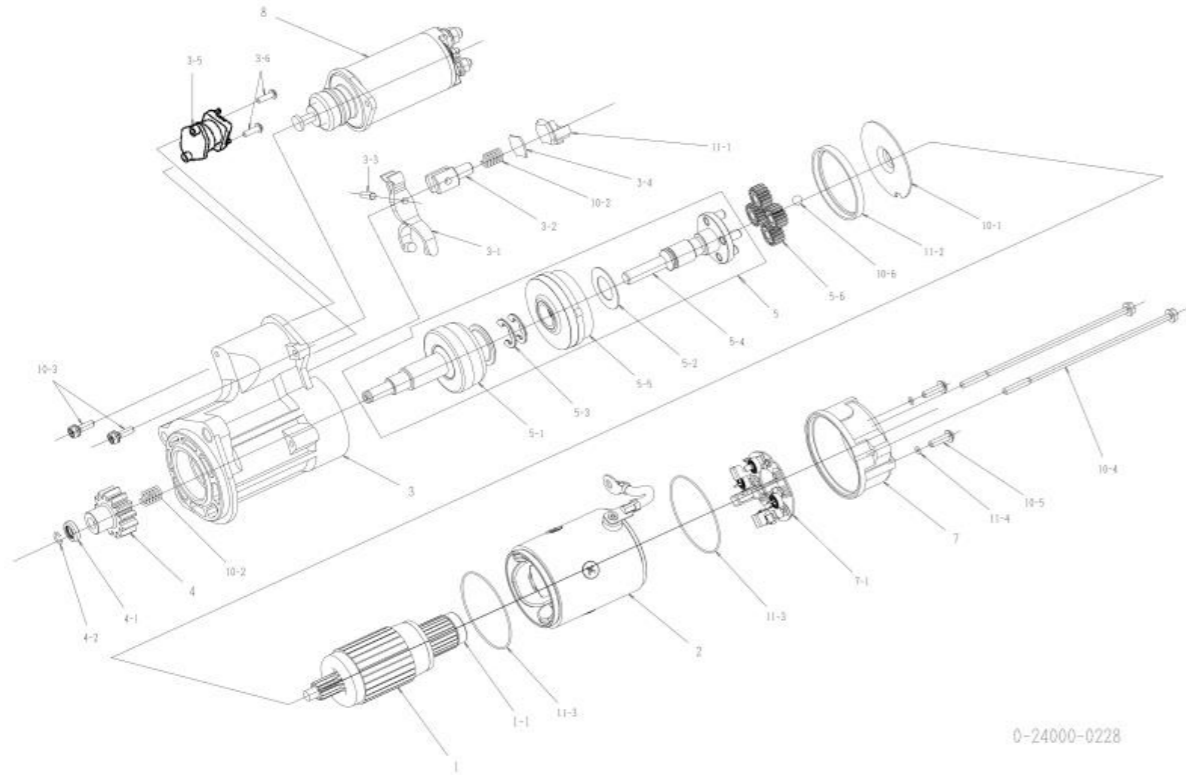
0-24000-0178

0-24000-0228 STARTING MOTOR

OEM CUSTOMER	MITSUBISHI HEAVY INDUSTRY	OEM PARTS NUMBER	32G66-10101
NOMINAL OUT PUT	24V 5Kw	SUPPLY TERM	10.05~
WEIGHT	8kg	SWITCH	SAFETY RELAY (INSTALLED ON RIGHT)
ENGINE MODEL	4FR		
VEHICLE	POWER (EXCAVATOR)		
DESIGN RECORD	0188 → 0218 PINION CHANGED 0218 → 0228 WATERPROOFING		
NOTE	DRIP PROOF φ83		

0-24000-0228 STARTING MOTOR (MAKER PART NO 32G66-10101)

No	Parts Number	Maker Parts No	Description	Qty	List Price	Note
1	0-24100-0178	32G66-07210	ARMATURE CO	1		INCLUDING 1-1
1-1	1-0456-62007	40566-01012	BALL BEARING	1		
2	0-24200-0178	32G66-07200	YOKE ASSY	1		
3	0-24310-0108	32G66-07360	FRONT BRACKET CO	1		
3-1	0-24320-0020	32G66-07280	SHIFT LEVER CO	1		
3-2	0-24927-0070	32G66-07290	HOLDER	1		
3-3	0-23904-0070	32G66-07300	PIN	1		
3-4	0-24922-0098	32G66-07270	PLATE	1		
3-5	0-25000-9100	32G66-07370	SWITCH	1		
3-6	0-0273-06456		BOLT	2		
4	0-24511-0201	32G66-17120	PINION	1		
4-1	0-24181-0050	32G66-07110	PINION STOPPER	1		
4-2	0-09066-0090	32G66-07100	CLIP RING	1		
5	0-24500-0213		O.R.CLUTCH ASSY	1		INCLUDING 5-1 TO 5-5
5-1	0-24500-0222	32G66-07320	O.R.CLUTCH ASSY	1		
5-2	0-09057-0270	32G66-07340	WASHER	1		
5-3	0-09067-0200	32G66-07310	STOP RING	2		
5-4	0-24120-0043	32G66-07350	SHAFT CO	1		
5-5	0-24610-0040	32G66-07330	CENTER BRACKET CO	1		
5-6	0-24510-0023	32G66-07240	PINION CO	4		
7	0-24711-0258	32G66-07180	REAR BRACKET	1		
7-1	0-24750-0188	32G66-07190	BRUSH HOLDER CO	1		
8	0-47100-5208	32G66-07150	MAG.SWITCH ASSY	1		
10-1	0-24761-0090	32G66-07220	COVER	1		
10-2	0-24911-0170	32G66-07130	SPRING	2		
10-3	0-0274-06202	32G66-07140	BOLT	2		
10-4	0-09001-4890	32G66-07170	BOLT	2		THROUGH BOLT
10-5	0-09011-2850	32G66-07160	SCREW	2		
10-6	0-09203-0010	32G66-07250	BALL	1		
11-#	7-09210-2950		SEAL ASSY			INCLUDING 11-1 TO 11-4
11-1	0-24951-0210	32G66-07260	PACKING	1		
11-2	0-24951-0220	32G66-07230	PACKING	1		
11-3	0-09211-1440	32G66-07380	O RING	2		
11-4	1-09211-0520	32G66-07390	O RING	2		

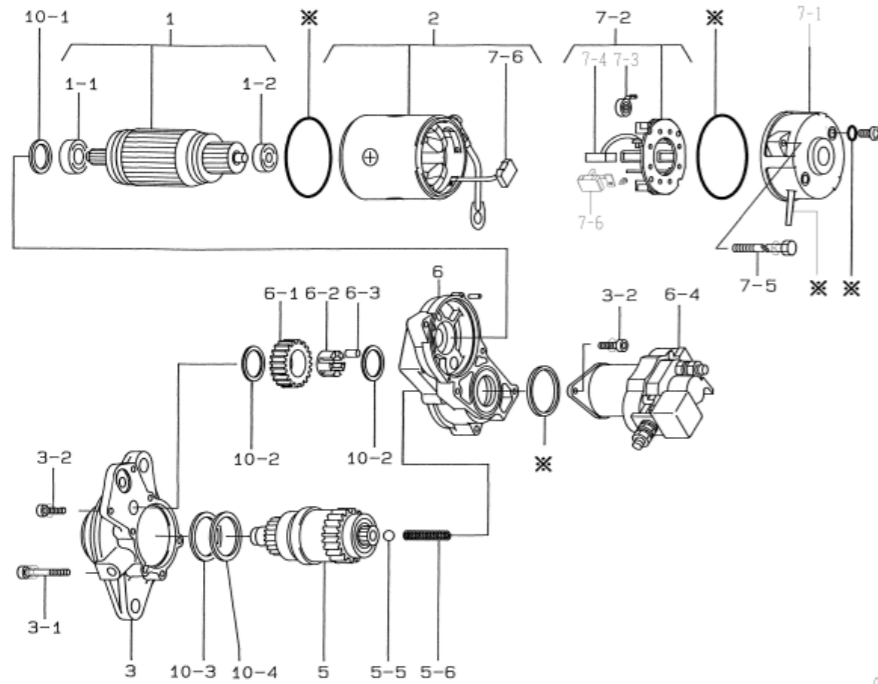


0-24000-3032 STARTING MOTOR

OEM CUSTOMER	ISUZU	OEM PARTS NUMBER	1-81100-323-1
NOMINAL OUT PUT	24V 4.5Kw	SUPPLY TERM	03.02~
WEIGHT	8.5kg	SWITCH	N/A
ENGINE MODEL	6HH1		
VEHICLE	FRR, FSR, FTR		
DESIGN RECORD	3030 → 3031 DRAIN TUBE CHANGED 3031 → 3032 MAG. SW CHANGED		
NOTE	DRIP PROOF φ 90		

0-24000-3032 STARTING MOTOR (MAKER PART NO 1-81100-323-1)

No	Parts Number	Maker Parts No	Description	Qty	List Price	Note
1	0-24100-0030	1-81121062-0	ARMATURE CO	1		INCLUDING 1-1, 1-2
1-1	1-0456-60037	5-81129155-0	BALL BEARING	1		FRONT
1-2	1-0456-62007	1-81129196-0	BALL BEARING	1		REAR
2	0-24200-0047	8-98197520-0	YOKE ASSY	1		INCLUDING 7-6
3	0-24311-0050	1-81123049-0	FRONT BRACKET	1		
3-1	0-09001-5170	1-81129706-0	BOLT	4		
3-2	0-09001-5190	1-81129722-0	BOLT	4		
5	0-24500-0034	8-98146940-0	O.R.CLUTCH ASSY	1		
5-5	0-09203-0010	1-81129713-0	BALL	1		
5-6	0-47911-1300	1-81129772-0	SPRING	1		
6	0-24610-0010	1-81118059-0	CENTER BRACKET CO	1		
6-1	0-24511-0040	1-81129714-0	PINION	1		
6-2	0-24927-0030	1-81118060-0	HOLDER	1		
6-3	1-21904-0230	1-81129715-0	PIN	5		
6-4	0-47100-4402	1-81151132-0	MAG.SWITCH ASSY	1		
7-1	0-24710-0050	1-81115221-0	REAR BRACKET CO	1		
7-2	0-24750-0024		BRUSH HOLDER CO	1		INCLUDING 7-3, 7-4, 7-6
7-3	1-23913-0010	5-81117019-0	BRUSH SPRING	4		
7-4	0-24740-0047	8-98197176-0	BRUSH CO	2		(-)
7-5	0-09001-5160	1-81129708-0	BOLT	2		THROUGH BOLT
7-6	0-24740-0036	8-98197175-0	BRUSH CO	2		(+)
10-1	1-23921-0150	5-81129156-0	WASHER	1		FOR ADJUSTMENT
10-2	0-24921-0010	1-81129709-0	WASHER	2		
10-3	0-24921-0050	1-81129774-0	WASHER	1		10-3 OR 10-4 MUST BE USED FOR ADJUSTMENT
10-4	0-24921-0030	1-81129711-0	WASHER	1		10-3 OR 10-4 MUST BE USED FOR ADJUSTMENT
※	7-09210-2330	1-81129716-0	SEAL ASSY	1		

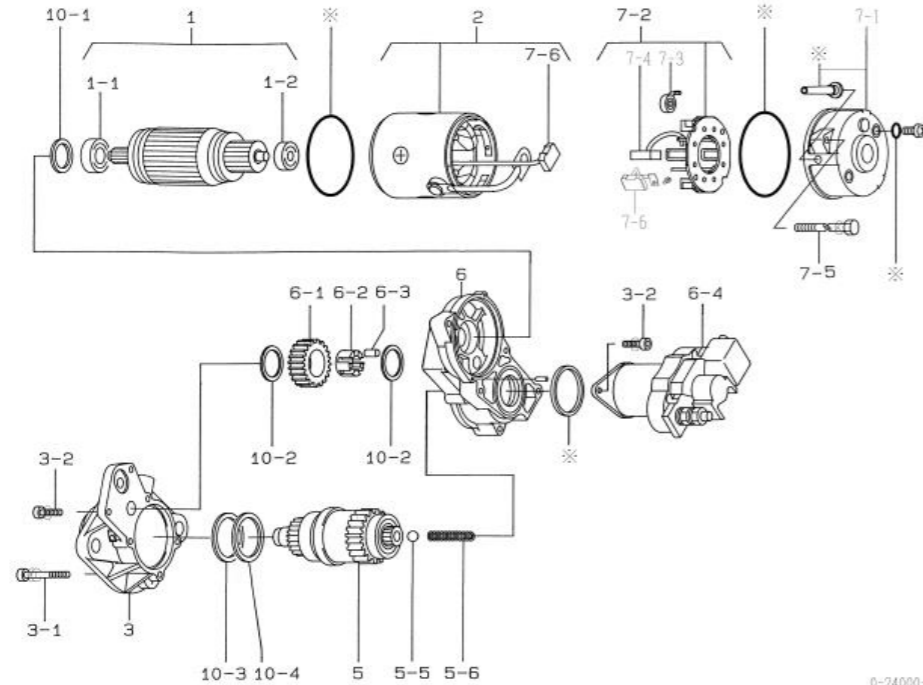


0-24000-3032

※	7-09210-2330	SEAL ASSY	
	1-23951-0180	PACKING	1
	1-09211-1060	O RING	1
	1-09211-0520	O RING	2
	0-24951-0050	PACKING	1
	0-47951-1500	PACKING	1
	1-0505-00505	O RING	1
	0-23952-0012	GUM CAP	1
	1-0506-01005	O RING	2

0-24000-3042 STARTING MOTOR

OEM CUSTOMER	ISUZU	OEM PARTS NUMBER	1-81100-324-1
NOMINAL OUT PUT	24V 4.5Kw	SUPPLY TERM	03.02~
WEIGHT	8.5kg	SWITCH	N/A
ENGINE MODEL	6HE1TC		
VEHICLE	FRR, FSR, FTR		
DESIGN RECORD	3040 → 3041 DRAIN TUBE CHANGED 3041 → 3042 MAG. SW CHANGED		
NOTE	DRIP PROOF φ90		



0-24000-3042

0-24000-3042 STARTING MOTOR (MAKER PART NO 1-81100-324-1)

No	Parts Number	Maker Parts No	Description	Qty	List Price	Note
1	0-24100-0030	1-81121062-0	ARMATURE CO	1		INCLUDING 1-1, 1-2
1-1	1-0456-60037	5-81129155-0	BALL BEARING	1		FRONT
1-2	1-0456-62007	1-81129196-0	BALL BEARING	1		REAR
2	0-24200-0047	8-98197520-0	YOKE ASSY	1		INCLUDING 7-6
3	0-24311-0060	1-81123050-0	FRONT BRACKET	1		
3-1	0-09001-5170	1-81129706-0	BOLT	4		
3-2	0-09001-5190	1-81129722-0	BOLT	4		
5	0-24500-0034	8-98146940-0	O.R.CLUTCH ASSY	1		
5-5	0-09203-0010	1-81129713-0	BALL	1		
5-6	0-47911-1300	1-81129772-0	SPRING	1		
6	0-24610-0010	1-81118059-0	CENTER BRACKET CO	1		
6-1	0-24511-0040	1-81129714-0	PINION	1		
6-2	0-24927-0030	1-81118060-0	HOLDER	1		
6-3	1-21904-0230	1-81129715-0	PIN	5		
6-4	0-47100-4412	1-81151133-0	MAG.SWITCH ASSY	1		
7-1	0-24710-0060	1-81115222-0	REAR BRACKET CO	1		
7-2	0-24750-0030		BRUSH HOLDER CO	1		INCLUDING 7-3, 7-4, 7-6
7-3	1-23913-0010	5-81117019-0	BRUSH SPRING	4		
7-4	0-24740-0047	8-98197176-0	BRUSH CO	2		(-)
7-5	0-09001-5160	1-81129708-0	BOLT	2		THROUGH BOLT
7-6	0-24740-0036	8-98197175-0	BRUSH CO	2		(+)
10-1	1-23921-0150	5-81129156-0	WASHER	1		FOR ADJUSTMENT
10-2	0-24921-0010	1-81129709-0	WASHER	2		
10-3	0-24921-0050	1-81129774-0	WASHER	1		10-3 OR 10-4 MUST BE USED FOR ADJUSTMENT
10-4	0-24921-0030	1-81129711-0	WASHER	1		10-3 OR 10-4 MUST BE USED FOR ADJUSTMENT
※	7-09210-2330	1-81129716-0	SEAL ASSY	1		

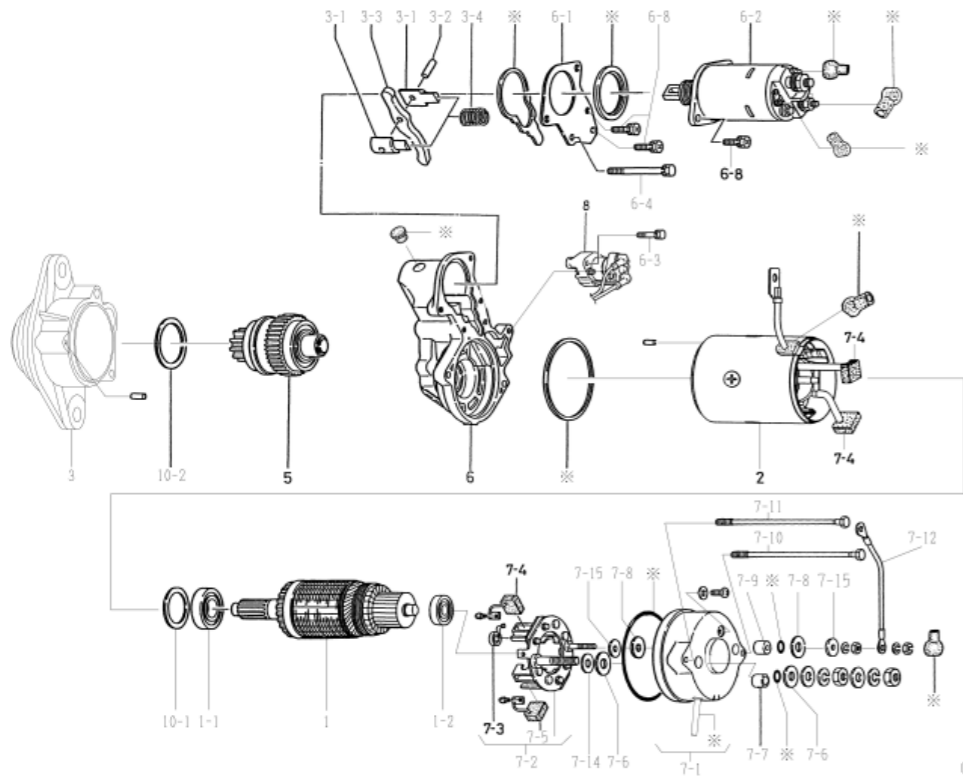
※	7-09210-2330	SEAL ASSY	
	1-23951-0080	PACKING	1
	1-09211-1060	O RING	1
	1-09211-0520	O RING	2
	0-24951-0050	PACKING	1
	0-47951-1500	PACKING	1
	1-0505-00505	O RING	1
	0-23952-0012	GUM CAP	1
	1-0506-01005	O RING	2

0-24000-3052 STARTING MOTOR

OEM CUSTOMER	ISUZU	OEM PARTS NUMBER	1-81100-310-1
NOMINAL OUT PUT	24V 4.5Kw	SUPPLY TERM	01.06~
WEIGHT	9.2kg	SWITCH	SAFETY RELAY (INSTALLED ON RIGHT)
ENGINE MODEL	6HE1TMC		
VEHICLE	MARINE		
DESIGN RECORD	3050 → 3051 SFR CHANGED 3051 → 3052 SFR CHANGED		
NOTE	DRIP PROOF φ90 2-WIRE MARINE SPECIFICATION		

0-24000-3052 STARTING MOTOR (MAKER PART NO 1-81100-310-1)

No	Parts Number	Maker Parts No	Description	Qty	List Price	Note
1	0-24100-0040	1-81129723-0	ARMATURE CO	1		
1-1	0-09201-0710	8-94340476-0	BALL BEARING	1		FRONT
1-2	1-0453-62007	1-81129609-0	BALL BEARING	1		REAR
2	0-24200-0016		YOKE ASSY	1		INCLUDING 7-4
3	0-24311-0070	1-81113125-0	FRONT BRACKET CO	1		
3-1	0-24927-0010	1-81118051-0	HOLDER	2		
3-2	0-23904-0070	8-94340471-0	PIN	1		
3-3	0-24321-0010	1-81127037-0	SHIFT LEVER	1		
3-4	0-24911-0030		SPRING	1		
5	7-24500-0010	1-81129614-0	O.R.CLUTCH ASSY	1		
6	0-24611-0014	1-81113126-0	CENTER BRACKET	1		
6-1	0-24922-0010	1-81129670-0	PLATE	1		
6-2	0-47100-4440	1-81129725-0	MAG.SWITCH ASSY	1		
6-3	0-0273-06452	1-81129726-0	BOLT	2		
6-4	0-0273-06752	1-81129605-0	BOLT	1		
6-8	0-09001-4840	1-81129603-0	BOLT	4		
7-1	0-24710-0070	1-81115223-0	REAR BRACKET CO	1		
7-2	7-23750-0114		BRUSH HOLDER CO	1		INCLUDING 7-3 TO 7-5
7-3	1-23913-0020	1-81117015-0	BRUSH SPRING	4		
7-4	0-24740-0036	8-98197175-0	BRUSH CO	2		(+)
7-5	0-24740-0047	8-98197176-0	BRUSH CO	2		(-)
7-6	1-21941-0540	1-81129548-0	INSULATE WASHER	2		
7-7	0-23944-0060	1-81129551-0	INSULATE TUBE	1		
7-8	1-23941-0010	1-81129245-0	INSULATE WASHER	2		
7-9	1-23944-0050	1-81129552-0	INSULATE TUBE	1		
7-10	0-09001-4850	1-81129606-0	BOLT	1		THROUGH BOLT
7-11	0-09001-4860	1-81129607-0	BOLT	1		THROUGH BOLT
7-12	0-23785-0300	1-81129645-0	LEAD WIRE CO	1		
7-14	0-09057-0100	1-81129547-0	WASHER	1		
7-15	1-47921-0791	1-81129244-0	WASHER	2		
8	0-25000-7892	1-82553062-1	SWITCH	1		
10-1	1-21921-0030	9-82125059-0	WASHER	1		
10-2	1-31921-0121	8-94340468-0	WASHER	1		
※	7-09210-2350	1-81129727-0	SEAL ASSY	1		

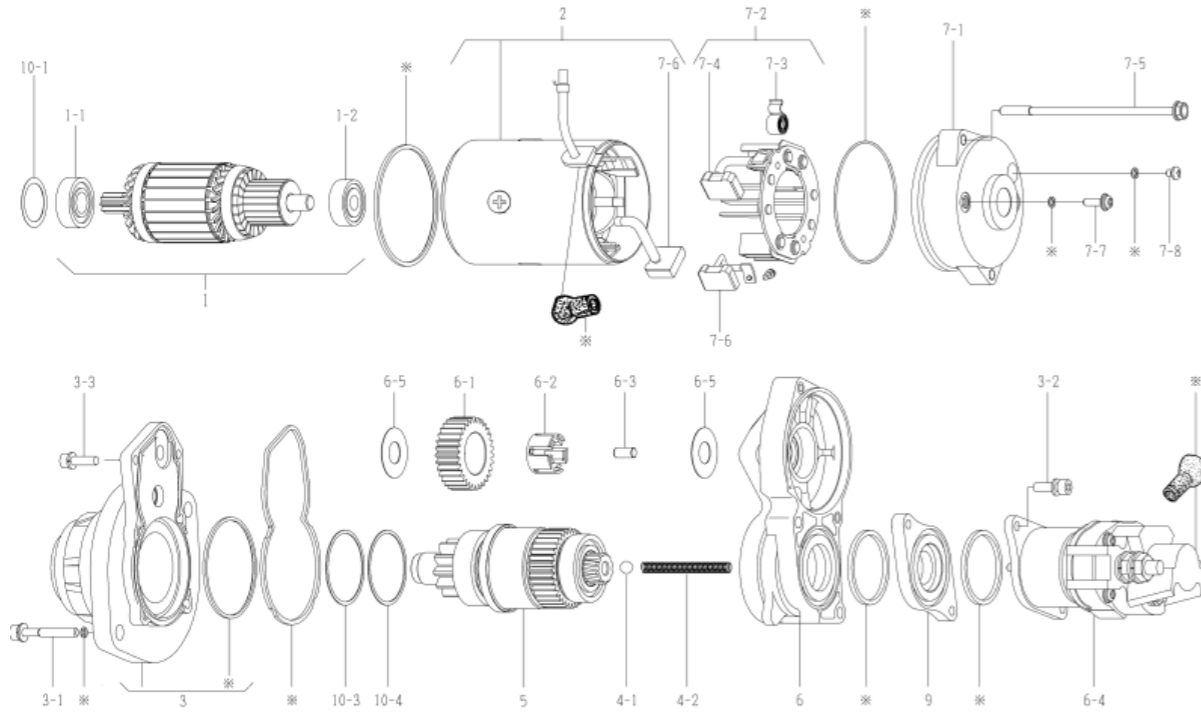


0-24000-3052

※	7-09210-2350	SEAL ASSY	
	1-47953-0081	GUM BUSH	1
	0-23951-0350	PACKING	1
	0-24951-0010	PACKING	1
	1-09252-0420	GUM CAP	1
	1-09252-0430	GUM CAP	2
	1-09252-0391	GUM CAP	2
	1-09211-1060	O RING	1
	1-0505-01201	O RING	1
	1-21951-1910	PACKING	1
	0-23952-0012	GUM CAP	1
	1-23951-0180	PACKING	1

0-24000-3060 STARTING MOTOR

OEM CUSTOMER	KOMATSU	OEM PARTS NUMBER	600-863-4410
NOMINAL OUT PUT	24V 4.5Kw	SUPPLY TERM	95.06~
WEIGHT	8.7kg	SWITCH	N/A
ENGINE MODEL	4D102E		
VEHICLE	PC100-6E, OTHERS		
DESIGN RECORD			
NOTE	WATER PROOF OIL PROOF $\phi 90$ 0-24000-3244 CAN BE SUBSTITUTE. 0-24000-3244 IS JUMP START PROTECTION VERSION OF 0-24000-3060		



0-24000-3060

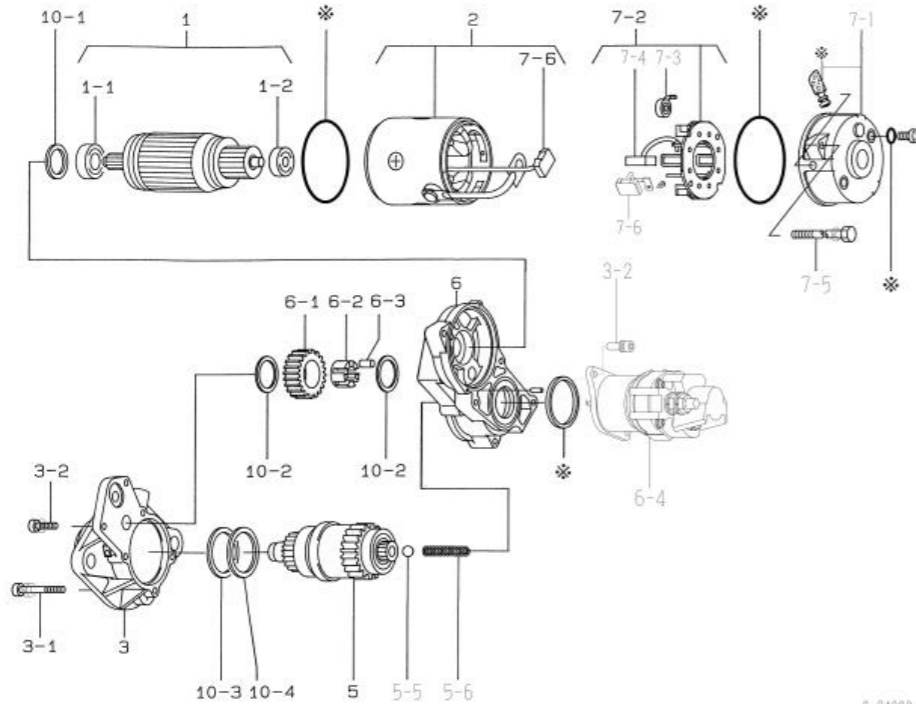
0-24000-3060 STARTING MOTOR (MAKER PART NO 600-863-4410)

No	Parts Number	Maker Parts No	Description	Qty	List Price	Note
1	0-24000-0030		ARMATURE CO	1		INCLUDING 1-1, 1-2
1-1	1-0456-60037		BALL BEARING	1		FRONT
1-2	1-0456-62007		BALL BEARING	1		REAR
2	0-24200-0047		YOKE ASSY	1		INCLUDING 7-6
3	0-24300-0010		F. BRACKET ASSY	1		INCLUDING OIL SEAL
3-1	0-09001-5170		BOLT	4		
3-2	0-09001-5290		BOLT	2		
3-3	0-09001-5190		BOLT	2		
4-1	0-09203-0010		BALL	1		
4-2	0-47911-1310		SPRING	1		
5	0-24500-0064		O.R.GLUTCH ASSY	1		
6	0-24610-0010		CENTER BRACKET CO	1		
6-1	0-24511-0040		PINION	1		
6-2	0-24927-0030		HOLDER	1		
6-3	1-21904-0230		PIN	5		
6-4	0-47100-4481		MAG. SWITCH ASSY	1		
6-5	0-24921-0010		WASHER	2		
7-1	0-24711-0080		REAR BRACKET CO	1		
7-2	0-24750-0024		BRUSH HOLDER CO	1		INCLUDING 7-3, 7-4, 7-6
7-3	1-23913-0010		BRUSH SPRING	4		
7-4	0-24740-0047		BRUSH CO	2		(-)
7-5	0-09001-5160		BOLT	2		THROUGH BOLT
7-6	0-24740-0036		BRUSH CO	2		(+)
7-7	0-09011-2850		SCREW	2		
7-8	0-0020-05062		SCREW	1		
9	0-24922-0050		PLATE	1		
10-1	1-23921-0150		WASHER	1		FOR ADJUSTMENT
10-3	0-24921-0050		WASHER	1		10-3 OR 10-4 MUST BE USED FOR ADJUSTMENT
10-4	0-24921-0030		WASHER	1		10-3 OR 10-4 MUST BE USED FOR ADJUSTMENT
※	7-09210-2660		SEAL ASSY	1		

※	7-09210-2660	SEAL ASSY	
	1-23951-0180	PACKING	1
	1-09211-1060	O RING	2
	1-09211-0520	O RING	2
	0-24951-0050	PACKING	2
	0-24951-0070	PACKING	1
	1-0345-05001	SEAL WASHER	1
	1-0505-00501	O RING	4
	0-09252-0630	GUM CAP	2
	0-09210-1250	OIL SEAL	1

0-24000-3112 STARTING MOTOR

OEM CUSTOMER	ISUZU	OEM PARTS NUMBER	1-81100-329-2
NOMINAL OUT PUT	24V 4.5Kw	SUPPLY TERM	03.02~
WEIGHT	8.5kg	SWITCH	N/A
ENGINE MODEL	6HE1LR		
VEHICLE	LR, LT		
DESIGN RECORD	3110 → 3112 MAG. SW CHANGED		
NOTE	DRIP PROOF φ 90		



0-24000-3112

0-24000-3112 STARTING MOTOR (MAKER PART NO 1-81100-329-2)

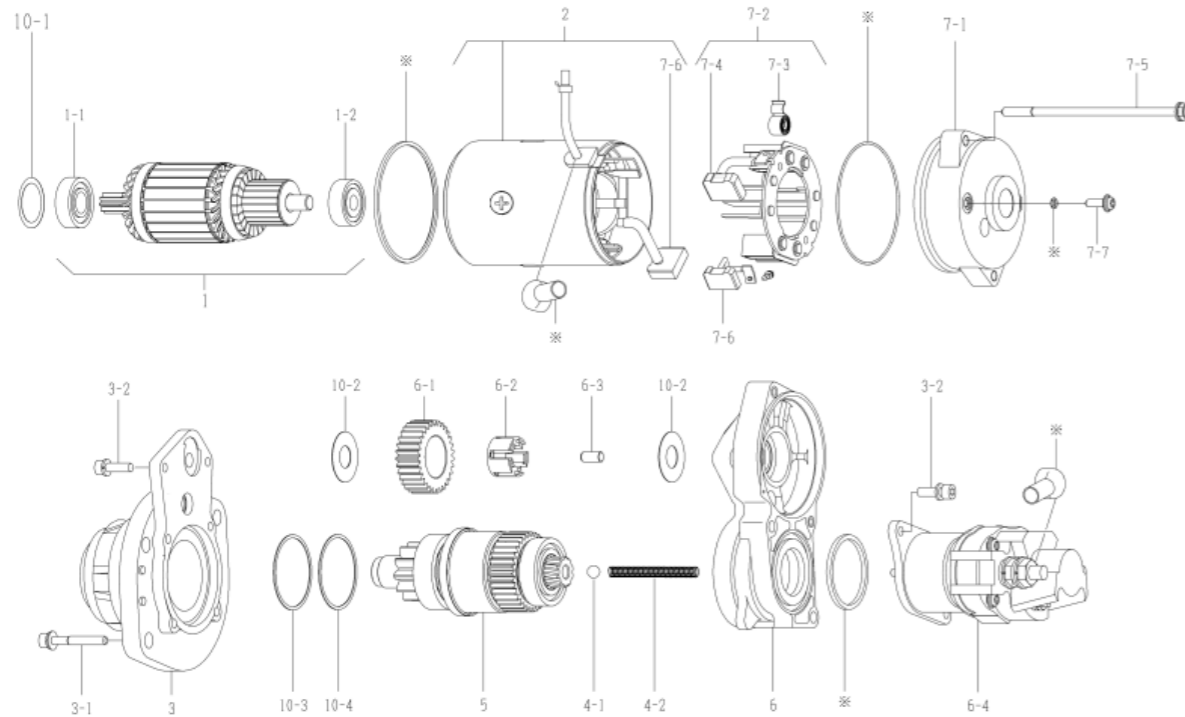
No	Parts Number	Maker Parts No	Description	Qty	List Price	Note
1	0-24100-0030	1-81121062-0	ARMATURE CO	1		INCLUDING 1-1, 1-2
1-1	1-0456-60037	5-81129155-0	BALL BEARING	1		FRONT
1-2	1-0456-62007	1-81129196-0	BALL BEARING	1		REAR
2	0-24200-0047	8-98197520-0	YOKE ASSY	1		INCLUDING 7-6
3	0-24311-0060	1-81123050-0	FRONT BRACKET ASSY	1		
3-1	0-09001-5170	1-81129706-0	BOLT	4		
3-2	0-09001-5190	1-81129722-0	BOLT	4		
5	0-24500-0104	8-98146942-0	O.R.CLUTCH ASSY	1		
5-5	0-09203-0010	1-81129713-0	BALL	1		
5-6	0-47911-1300	1-81129772-0	SPRING	1		
6	0-24610-0010	1-81118059-0	CENTER BRACKET CO	1		
6-1	0-24511-0040	1-81129714-0	PINION	1		
6-2	0-24927-0030	1-81118060-0	HOLDER	1		
6-3	1-21904-0230	1-81129715-0	PIN	5		
6-4	0-47100-4551	1-81151134-0	MAG.SWITCH ASSY	1		
7-1	0-24710-0090		REAR BRACKET CO	1		
7-2	0-24750-0024		BRUSH HOLDER CO	1		INCLUDING 7-3, 7-4, 7-6
7-3	1-23913-0010	5-81117019-0	BRUSH SPRING	4		
7-4	0-24740-0047	8-98197176-0	BRUSH CO	2		(-)
7-5	0-09001-5160	1-81129708-0	BOLT	2		THROUGH BOLT
7-6	0-24740-0036	8-98197175-0	BRUSH CO	2		(+)
10-1	1-23921-0150	5-81129156-0	WASHER	1		FOR ADJUSTMENT
10-2	0-24921-0010	1-81129709-0	WASHER	2		
10-3	0-24921-0050	1-81129774-0	WASHER	1		10-3 OR 10-4 MUST BE USED FOR ADJUSTMENT
10-4	0-24921-0030	1-81129711-0	WASHER	1		10-3 OR 10-4 MUST BE USED FOR ADJUSTMENT
※	7-09210-2440	1-81129778-0	SEAL ASSY	1		
※	7-09210-2440	SEAL ASSY				
	0-23952-0021	GUM CAP	1			
	0-24951-0050	PACKING	1			
	0-47951-1500	PACKING	1			
	1-0505-00505	O RING	1			
	1-0506-01005	O RING	2			
	1-09211-0520	O RING	2			
	1-09211-1060	O RING	1			
	1-23951-0180	PACKING	1			

0-24000-3151 STARTING MOTOR

OEM CUSTOMER	ISUZU	OEM PARTS NUMBER	1-81100-338-1
NOMINAL OUT PUT	24V 4.5Kw	SUPPLY TERM	03.02~
WEIGHT	8.6kg	SWITCH	N/A
ENGINE MODEL	6BG1TC		
VEHICLE	POWER (XE), OTHERS		
DESIGN RECORD	3150→3151 MAGNET SWITCH CHANGED		
NOTE	DRIP PROOF φ90		

0-24000-3151 STARTING MOTOR (MAKER PART NO 1-81100-338-1)

No	Parts Number	Maker Parts No	Description	Qty	List Price	Note
1	0-24100-0030	1-81121062-0	ARMATURE CO	1		INCLUDING 1-1, 1-2
1-1	1-0456-60037	5-81129155-0	BALL BEARING	1		FRONT
1-2	1-0456-62007	1-81129196-0	BALL BEARING	1		REAR
2	0-24200-0085	8-98155040-0	YOKE ASSY	1		INCLUDING 7-6
3	0-24311-0100	1-81113130-0	FRONT BRACKET	1		
3-1	0-09001-5170	1-81129706-0	BOLT	4		
3-2	0-09001-5190	1-81129722-0	BOLT	4		
4-1	0-09203-0010	1-81129713-0	BALL	1		
4-2	0-47911-1300	1-81129772-0	SPRING	1		
5	0-24500-0104	8-98146942-0	O.R.CLUTCH ASSY	1		
6	0-24610-0010	1-81118059-0	CENTER BRACKET CO	1		
6-1	0-24511-0040	1-81129714-0	PINION	1		
6-2	0-24927-0030	1-81118060-0	HOLDER	1		
6-3	1-21904-0230	1-81129715-0	PIN	5		
6-4	0-47100-5130	1-81151136-0	MAG.SWITCH ASSY	1		
7-1	0-24711-0110	1-81115230-0	REAR BRACKET	1		
7-2	0-24750-0024		BRUSH HOLDER CO	1		INCLUDING 7-3, 7-4, 7-6
7-3	1-23913-0010	5-81117019-0	BRUSH SPRING	4		
7-4	0-24740-0047	8-98197176-0	BRUSH CO	2		(-)
7-5	0-09001-5160	1-81129708-0	BOLT	2		THROUGH BOLT
7-6	0-24740-0036	8-98197175-0	BRUSH CO	2		(+)
7-7	0-09011-2850	1-81129602-0	SCREW	2		
10-1	1-23921-0150	5-81129156-0	WASHER	1		FOR ADJUSTMENT
10-2	0-24921-0010	1-81129709-0	WASHER	2		
10-3	0-24921-0050	1-81129774-0	WASHER	1		10-3 OR 10-4 MUST BE USED FOR ADJUSTMENT
10-4	0-24921-0030	1-81129711-0	WASHER	1		10-3 OR 10-4 MUST BE USED FOR ADJUSTMENT
※	7-09210-2420	1-81129775-0	SEAL ASSY	1		

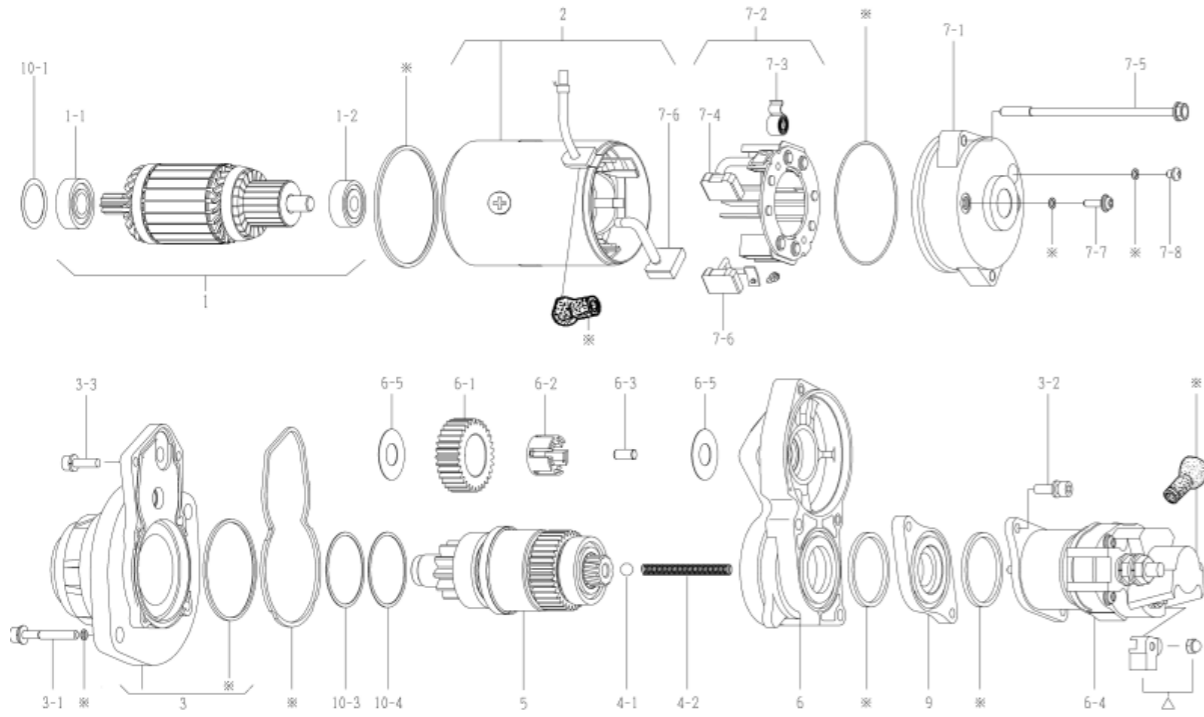


0-24000-3151

※	7-09210-2420	SEAL ASSY	
	0-09252-0630	GUM CAP	2
	0-24951-0050	PACKING	1
	0-47951-1500	PACKING	1
	1-0505-00505	O RING	1
	1-0506-01005	O RING	2
	1-09211-0520	O RING	2
	1-09211-1060	O RING	1
	1-23951-0180	PACKING	1

0-24000-3240 STARTING MOTOR

OEM CUSTOMER	KOMATSU	OEM PARTS NUMBER	600-863-4510
NOMINAL OUT PUT	24V 4.5Kw	SUPPLY TERM	02.07~
WEIGHT	8.7kg	SWITCH	N/A
ENGINE MODEL	S4D102E, OTHERS		
VEHICLE	PC100-6E, OTHERS		
DESIGN RECORD			
NOTE	WATER PROOF OIL PROOF $\phi 90$ JUMP START PROTECTION VERSION OF 0-24000-0030		



0-24000-3240

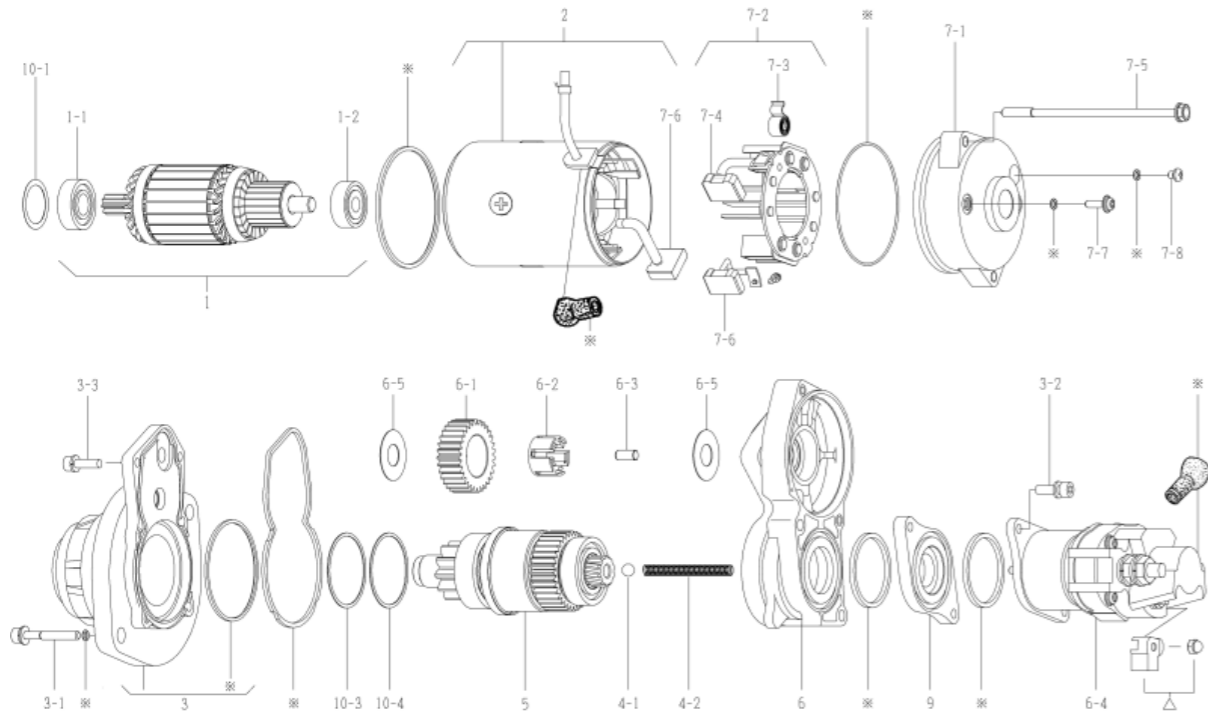
0-24000-3240 STARTING MOTOR (MAKER PART NO 600-863-4510)

No	Parts Number	Maker Parts No	Description	Qty	List Price	Note
1	0-24100-0030		ARMATURE CO	1		INCLUDING 1-1, 1-2
1-1	1-0456-60037		BALL BEARING	1		FRONT
1-2	1-0456-62007		BALL BEARING	1		REAR
2	7-24200-0024		YOKE ASSY	1		INCLUDING 7-6
3	0-24300-0010		FRONT BRACKET ASSY	1		INCLUDING OIL SEAL
3-1	0-09001-5170		BOLT	4		
3-2	0-09001-5290		BOLT	2		
3-3	0-09001-5190		BOLT	2		
4-1	0-09203-0010		BALL	1		
4-2	0-47911-1310		SPRING	1		
5	0-24500-0064		O.R.GLUTCH ASSY	1		
6	0-24610-0010		CENTER BRACKET CO	1		
6-1	0-24511-0040		PINION	1		
6-2	0-24927-0030		HOLDER	1		
6-3	1-21904-0230		PIN	5		
6-4	0-47100-4820		MAG.SWITCH ASSY	1		
6-5	0-24921-0010		WASHER	2		
7-1	0-24711-0080		REAR BRACKET	1		
7-2	0-24750-0024		BRUSH HOLDER CO	1		INCLUDING 7-3, 7-4, 7-6
7-3	1-23913-0010		BRUSH SPRING	4		
7-4	0-24740-0047		BRUSH CO	2		(-)
7-5	0-09001-5160		BOLT	2		THROUGH BOLT
7-6	0-24740-0036		BRUSH CO	2		(+)
7-7	0-09011-2850		SCREW	2		
7-8	0-0020-05062		SCREW	1		
9	0-24922-0050		PLATE	1		
10-1	1-23921-0150		WASHER	1		FOR ADJUSTMENT
10-3	0-24921-0050		WASHER	1		10-3 OR 10-4 MUST BE USED FOR ADJUSTMENT
10-4	0-24921-0030		WASHER	1		10-3 OR 10-4 MUST BE USED FOR ADJUSTMENT
※	7-09210-2660		SEAL ASSY	1		
△	7-47761-0020		COVER	1		

※	7-09210-2660	SEAL ASSY	
	1-23951-0180	PACKING	1
	1-09211-1060	O RING	1
	1-09211-0520	O RING	2
	0-24951-0050	PACKING	2
	0-24951-0070	PACKING	1
	1-0345-05001	SEAL WASHER	1
	1-0505-00501	O RING	4
	0-09252-0630	GUM CAP	2
	0-09210-1250	OIL SEAL	1

0-24000-3244 STARTING MOTOR

OEM CUSTOMER	KOMATSU	OEM PARTS NUMBER	600-863-4511
NOMINAL OUT PUT	24V 4.5Kw	SUPPLY TERM	14.03~
WEIGHT	8.7kg	SWITCH	N/A
ENGINE MODEL	S4D102E, OTHERS		
VEHICLE	PC100-6E, OTHERS		
DESIGN RECORD	3240→3244 CAUTION PLATE CHANGED		
NOTE	WATER PROOF OIL PROOF $\phi 90$ JUMP START PROTECTION VERSION OF 0-24000-0030		



0-24000-3244

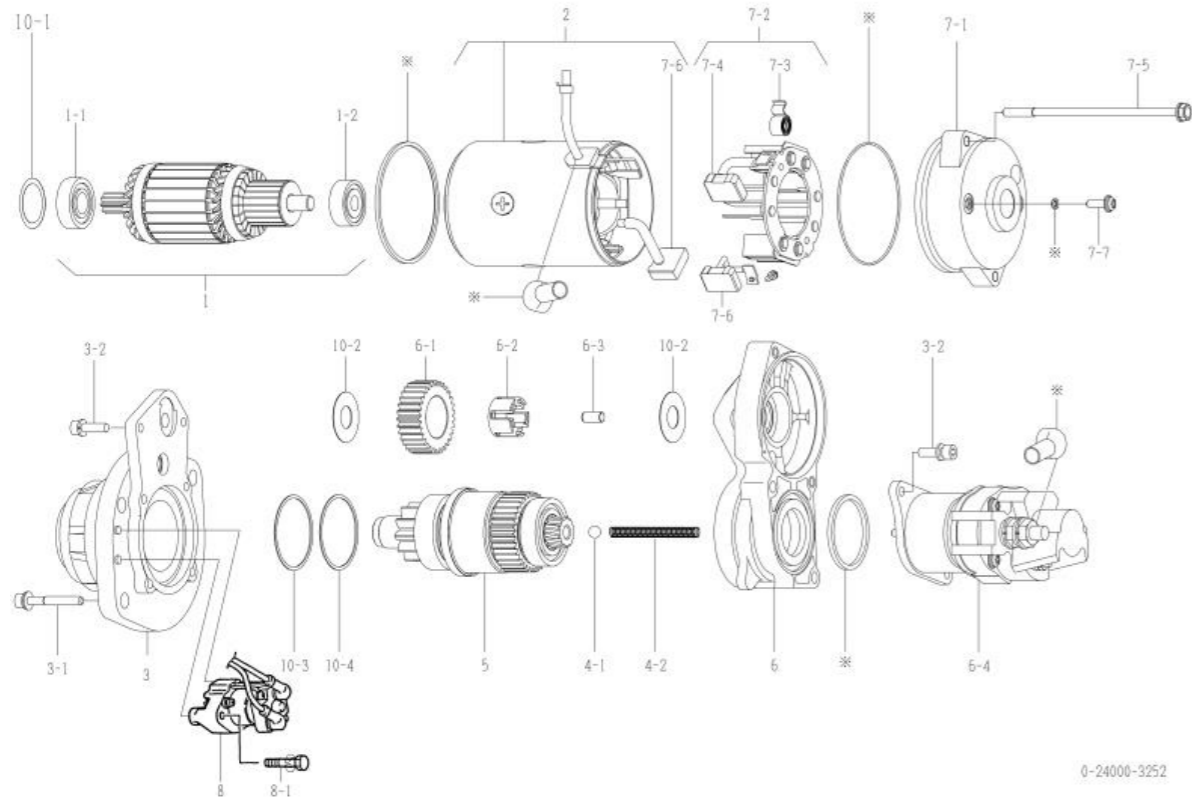
0-24000-3244 STARTING MOTOR (MAKER PART NO 600-863-4511)

No	Parts Number	Maker Parts No	Description	Qty	List Price	Note
1	0-24100-0030		ARMATURE CO	1		INCLUDING 1-1, 1-2
1-1	1-0456-60037		BALL BEARING	1		FRONT
1-2	1-0456-62007		BALL BEARING	1		REAR
2	7-24200-0025		YOKE ASSY	1		INCLUDING 7-6
3	0-24300-0010		FRONT BRACKET ASSY	1		INCLUDING OIL SEAL
3-1	0-09001-5170		BOLT	4		
3-2	0-09001-5290		BOLT	2		
3-3	0-09001-5190		BOLT	2		
4-1	0-09203-0010		BALL	1		
4-2	0-47911-1310		SPRING	1		
5	0-24500-0064		O.R.GLUTCH ASSY	1		
6	0-24610-0010		CENTER BRACKET CO	1		
6-1	0-24511-0040		PINION	1		
6-2	0-24927-0030		HOLDER	1		
6-3	1-21904-0230		PIN	5		
6-4	0-47100-4820		MAG.SWITCH ASSY	1		
6-5	0-24921-0010		WASHER	2		
7-1	0-24711-0080		REAR BRACKET	1		
7-2	0-24750-0024		BRUSH HOLDER CO	1		INCLUDING 7-3, 7-4, 7-6
7-3	1-23913-0010		BRUSH SPRING	4		
7-4	0-24740-0047		BRUSH CO	2		(-)
7-5	0-09001-5160		BOLT	2		THROUGH BOLT
7-6	0-24740-0036		BRUSH CO	2		(+)
7-7	0-09011-2850		SCREW	2		
7-8	0-0020-05062		SCREW	1		
9	0-24922-0050		PLATE	1		
10-1	1-23921-0150		WASHER	1		FOR ADJUSTMENT
10-3	0-24921-0050		WASHER	1		10-3 OR 10-4 MUST BE USED FOR ADJUSTMENT
10-4	0-24921-0030		WASHER	1		10-3 OR 10-4 MUST BE USED FOR ADJUSTMENT
※	7-09210-2660		SEAL ASSY	1		
△	7-47761-0020		COVER	1		

※	7-09210-2660	SEAL ASSY	
	1-23951-0180	PACKING	1
	1-09211-1060	O RING	1
	1-09211-0520	O RING	2
	0-24951-0050	PACKING	2
	0-24951-0070	PACKING	1
	1-0345-05001	SEAL WASHER	1
	1-0505-00501	O RING	4
	0-09252-0630	GUM CAP	2
	0-09210-1250	OIL SEAL	1

0-24000-3252 STARTING MOTOR

OEM CUSTOMER	ISUZU	OEM PARTS NUMBER	1-98062041-0
NOMINAL OUT PUT	24V 4.5Kw	SUPPLY TERM	06.08~
WEIGHT	9kg	SWITCH	SAFETY RELAY (INSTALLED ON LEFT)
ENGINE MODEL	4BG1TC		
VEHICLE	POWER		
DESIGN RECORD	3250→3251 MAG. SW. CHANGED 3251→3252 YOKE ASSY, O.R. CLUTCH, MAG.SW., M TERMINAL LEAD WIRE, THROUGHT BOLT CHANGED		
NOTE	DRIP PROOF φ 90		



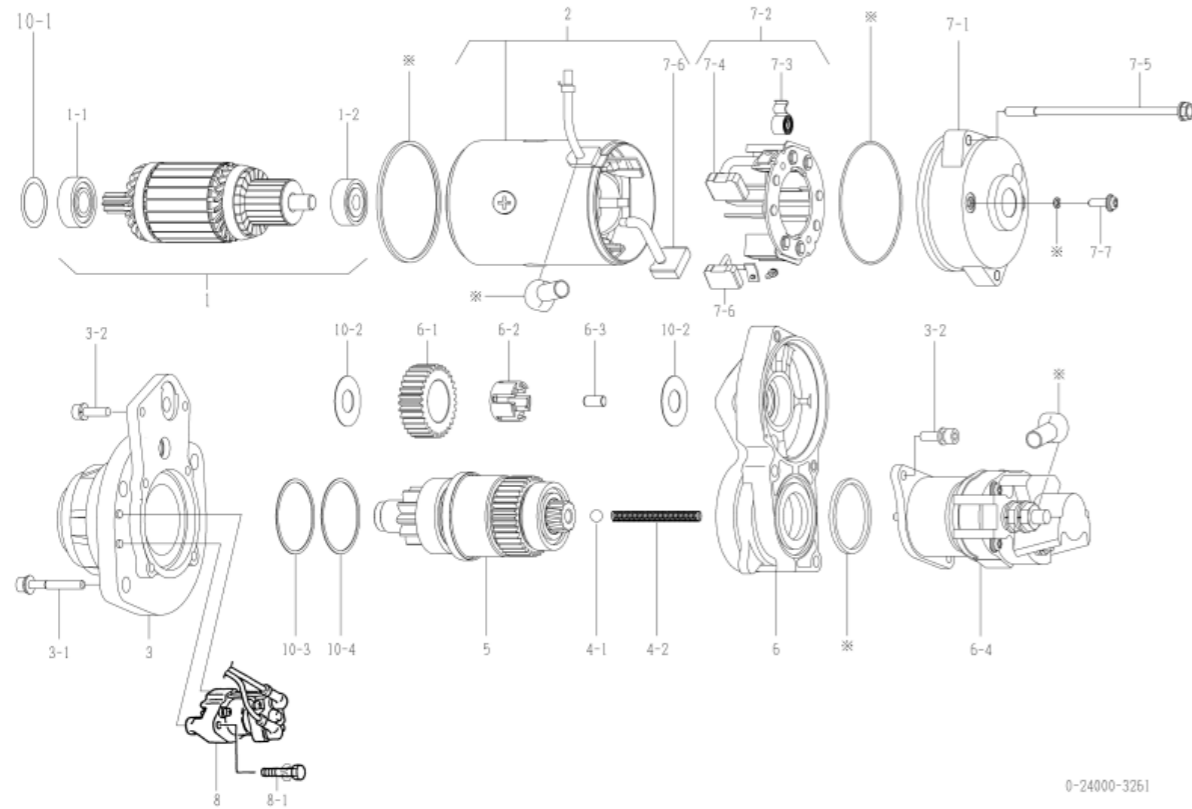
0-24000-3252 STARTING MOTOR (MAKER PART NO 1-98062041-0)

No	Parts Number	Maker Parts No	Description	Qty	List Price	Note
1	0-24100-0030	1-81121062-0	ARMATURE CO	1		INCLUDING 1-1, 1-2
1-1	1-0456-60037	5-81129155-0	BALL BEARING	1		FRONT
1-2	1-0456-62007	1-81129196-0	BALL BEARING	1		REAR
2	0-24200-0185	8-98155044-0	YOKE ASSY	1		INCLUDING 7-6
3	0-24311-0111	8-97251534-0	FRONT BRACKET	1		
3-1	0-09001-5370	8-97251535-0	BOLT	4		
3-2	0-09001-5190	1-81129722-0	BOLT	4		
4-1	0-09203-0010	1-81129713-0	BALL	1		
4-2	0-47911-1300	1-81129772-0	SPRING	1		
5	0-24500-0104	8-98146942-0	O.R.CLUTCH ASSY	1		
6	0-24610-0010	1-81118059-0	CENTER BRACKET CO	1		
6-1	0-24511-0040	1-81129714-0	PINION	1		
6-2	0-24927-0030	1-81118060-0	HOLDER	1		
6-3	1-21904-0230	1-81129715-0	PIN	5		
6-4	0-47100-5130	1-81151136-0	MAG.SWITCH ASSY	1		
7-1	0-24711-0110	1-81115230-0	REAR BRACKET	1		
7-2	0-24750-0024		BRUSH HOLDER CO	1		INCLUDING 7-3, 7-4, 7-6
7-3	1-23913-0010	5-81117019-0	BRUSH SPRING	4		
7-4	0-24740-0047	8-98197176-0	BRUSH CO	2		(-)
7-5	0-09001-5160	1-81129708-0	BOLT	2		THROUGH BOLT
7-6	0-24740-0036	8-98197175-0	BRUSH CO	2		(+)
7-7	0-09011-2850	1-81129602-0	SCREW	2		
8	0-25000-8137	1-82553051-2	SWITCH	1		
8-1	0-0273-06452	1-81129726-0	BOLT	2		
10-1	1-23921-0150	5-81129156-0	WASHER	1		FOR ADJUSTMENT
10-2	0-24921-0010	1-81129709-0	WASHER	2		
10-3	0-24921-0050	1-81129774-0	WASHER	1		10-3 OR 10-4 MUST BE USED FOR ADJUSTMENT
10-4	0-24921-0030	1-81129711-0	WASHER	1		10-3 OR 10-4 MUST BE USED FOR ADJUSTMENT
※	7-09210-2420	1-81129775-0	SEAL ASSY	1		

※	7-09210-2420	SEAL ASSY	
	0-09252-0630	GUM CAP	2
	0-24951-0050	PACKING	1
	0-47951-1500	PACKING	1
	1-0505-00505	O RING	1
	1-0506-01005	O RING	2
	1-09211-0520	O RING	2
	1-09211-1060	O RING	1
	1-23951-0180	PACKING	1

0-24000-3261 STARTING MOTOR

OEM CUSTOMER	ISUZU	OEM PARTS NUMBER	1-81100-401-3
NOMINAL OUT PUT	24V 4.5Kw	SUPPLY TERM	03.02~
WEIGHT	9kg	SWITCH	SAFETY RELAY (INSTALLED ON LEFT)
ENGINE MODEL	6BG1TC		
VEHICLE	POWER (XD), POWER (XE), POWER (XV), OTHI		
DESIGN RECORD	3140 → 3141 SFR CHANGED 3141 → 3143 B TERMINAL LENGTH CHANGED (10mm shortened) 3143 → 3260 SFR CHANGED 3260 → 3261 MAG. SW CHANGED		
NOTE	DRIP PROOF φ90		



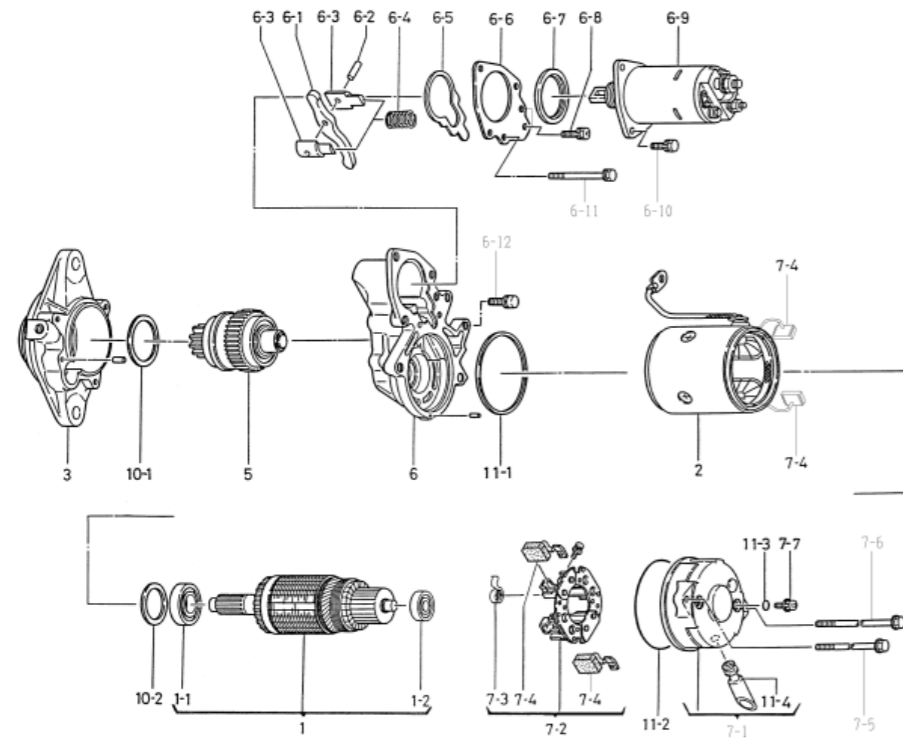
0-24000-3261 STARTING MOTOR (MAKER PART NO 1-81100-401-3)

No	Parts Number	Maker Parts No	Description	Qty	List Price	Note
1	0-24100-0030	1-81121062-0	ARMATURE CO	1		INCLUDING 1-1, 1-2
1-1	1-0456-60037	5-81129155-0	BALL BEARING	1		FRONT
1-2	1-0456-62007	1-81129196-0	BALL BEARING	1		REAR
2	0-24200-0085	8-98155040-0	YOKE ASSY	1		INCLUDING 7-6
3	0-24311-0100	1-81113130-0	FRONT BRACKET	1		
3-1	0-09001-5170	1-81129706-0	BOLT	4		
3-2	0-09001-5190	1-81129722-0	BOLT	4		
4-1	0-09203-0010	1-81129713-0	BALL	1		
4-2	0-47911-1300	1-81129772-0	SPRING	1		
5	0-24500-0104	8-98146942-0	O.R.CLUTCH ASSY	1		
6	0-24610-0010	1-81118059-0	CENTER BRACKET CO	1		
6-1	0-24511-0040	1-81129714-0	PINION	1		
6-2	0-24927-0030	1-81118060-0	HOLDER	1		
6-3	1-21904-0230	1-81129715-0	PIN	5		
6-4	0-47100-5130	1-81151136-0	MAG.SWITCH ASSY	1		
7-1	0-24711-0110	1-81115230-0	REAR BRACKET	1		INCLUDING 7-3, 7-4, 7-6
7-2	0-24750-0024		BRUSH HOLDER CO	1		
7-3	1-23913-0010	5-81117019-0	BRUSH SPRING	4		
7-4	0-24740-0047	8-98197176-0	BRUSH CO	2		(-)
7-5	0-09001-5160	1-81129708-0	BOLT	2		THROUGH BOLT
2-6	0-24740-0036	8-98197175-0	BRUSH CO	2		(+)
7-7	0-09011-2850	1-81129602-0	SCREW	2		
8	0-25000-8137	1-82553051-2	SWITCH	1		
8-1	0-0273-06452	1-81129726-0	BOLT	2		
10-1	1-23921-0150	5-81129156-0	WASHER	1		FOR ADJUSTMENT
10-2	0-24921-0010	1-81129709-0	WASHER	2		
10-3	0-24921-0050	1-81129774-0	WASHER	1		10-3 OR 10-4 MUST BE USED FOR ADJUSTMENT
10-4	0-24921-0030	1-81129711-0	WASHER	1		10-3 OR 10-4 MUST BE USED FOR ADJUSTMENT
※	7-09210-2420	1-81129775-0	SEAL ASSY	1		

※	7-09210-2420	SEAL ASSY	
	0-09252-0630	GUM CAP	2
	0-24951-0050	PACKING	1
	0-47951-1500	PACKING	1
	1-0505-00505	O RING	1
	1-0506-01005	O RING	2
	1-09211-0520	O RING	2
	1-09211-1060	O RING	1
	1-23951-0180	PACKING	1

0-24000-7002 STARTING MOTOR

OEM CUSTOMER	ISUZU	OEM PARTS NUMBER	8-94399896-3
NOMINAL OUT PUT	24V 5.5Kw	SUPPLY TERM	00.03~
WEIGHT	10.6kg	SWITCH	
ENGINE MODEL	6H, OTHERS		
VEHICLE	LR,LT		
DESIGN RECORD	7000 → 7001	MOUNTING BOSS FOR E TERMINAL ADDED, B TERMINAL LENGTH OF MAG. SW CHANGED	
	7001 → 7002	MAG. SW CHANGED	
NOTE	DRIP PROOF φ101.5		



0-24000-7002

0-24000-7002 STARTING MOTOR (MAKER PART NO 8-94399896-3)

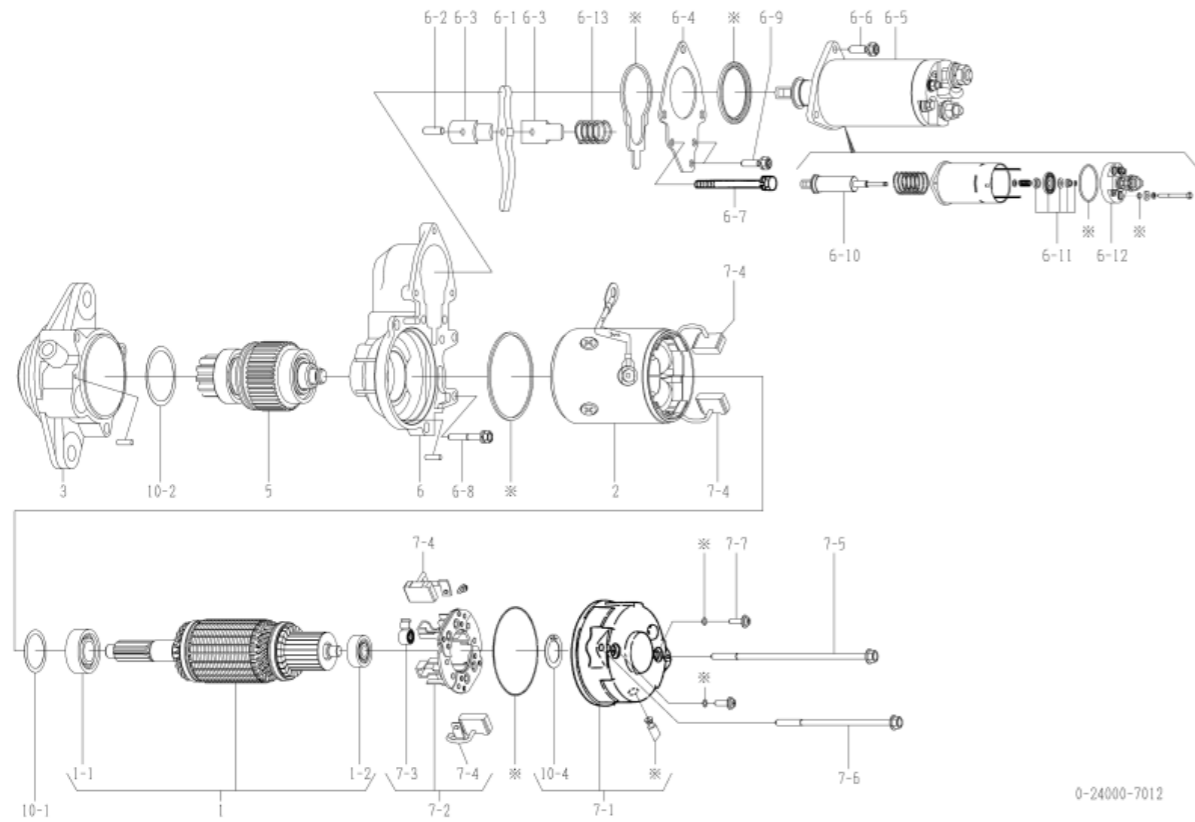
No	Parts Number	Maker Parts No	Description	Qty	List Price	Note
1	7-24100-0020		ARMATURE CO	1		INCLUDING 1-1, 1-2
1-1	1-0456-60057	5-81129161-0	BALL BEARING	1		FRONT
1-2	1-0453-62007	1-81129609-0	BALL BEARING	1		REAR
2	0-24200-0035		YOKE ASSY	1		INCLUDING 2 PCS. 7-4
3	0-24311-0031	1-81123044-1	FRONT BRACKET	1		
5	7-24500-0020	1-81129636-0	O.R.CLUTCH ASSY	1		
6	0-24611-0030	1-81118055-0	CENTER BRACKET	1		
6-1	0-24321-0020	1-81127038-0	SHIFT LEVER	1		
6-2	0-23904-0070	8-94340471-0	PIN	1		
6-3	0-24927-0010	1-81118051-0	HOLDER	2		
6-4	0-24911-0040		SPRING	1		
6-5	0-24951-0020		PACKING	1		
6-6	0-24922-0020	1-81129637-0	PLATE	1		
6-7	0-24951-0030		PACKING	1		
6-8	0-09001-4840	1-81129603-0	BOLT	2		
6-9	0-47100-4193	1-81151109-1	MAG.SWITCH ASSY	1		
6-10	0-0273-06252	1-81129638-0	BOLT	3		
6-11	0-0273-06752	1-81129605-0	BOLT	1		
6-12	0-0276-06352	1-81129604-0	BOLT	1		
7-1	0-24710-0030	1-81115215-0	REAR BRACKET CO	1		INCLUDING 11-4
7-2	7-24750-0010		BRUSH HOLDER CO	1		INCLUDING 7-3, 7-4
7-3	1-23913-0040	1-81117016-0	BRUSH SPRING	4		
7-4	0-24740-0025	8-98207840-0	BRUSH CO	4		INCLUDING 2PCS OF YOKE SIDE
7-5	0-09001-4920	1-81129639-0	BOLT	1		THROUGH BOLT
7-6	0-09001-4930	1-81129640-0	BOLT	1		THROUGH BOLT
7-7	0-09011-3140	1-81129641-0	SCREW	2		
10-1	1-31921-0121	8-94340468-0	WASHER	1		
10-2	1-31921-0130	9-82215101-0	WASHER	1		
11-1	1-23951-0020	5-81129164-0	PACKING	1		
11-2	1-09211-0980	1-81129271-0	O RING	1		
11-3	1-09211-0081	1-09211008-1	O RING	2		
11-4	0-23952-0020	1-81129568-0	GUM CAP	1		

0-24000-7012 STARTING MOTOR

OEM CUSTOMER	ISUZU	OEM PARTS NUMBER	1-81100-315-2
NOMINAL OUT PUT	24V 5.5Kw	SUPPLY TERM	00.03~
WEIGHT	10.6kg	SWITCH	SEPERATED SAFTY RELEY
ENGINE MODEL	6HH1		
VEHICLE	LR (IDLING REDUCTION VERSION), LT (IDLING REDUCTION VERSION)		
DESIGN RECORD	7010 → 7011 PINION AND SHAFT CHANGED 7011 → 7012 MAG. SW CHANGED		
NOTE	DRIP PROOF φ101.5 IDLING STOP VERSION		

0-24000-7012 STARTING MOTOR (MAKER PART NO 1-81100-315-2)

No	Parts Number	Maker Parts No	Description	Qty	List Price	Note
1	0-24100-0060	1-81121064-0	ARMATURE CO	1		INCLUDING 1-1,1-2
1-1	1-0456-60057	5-81129161-0	BALL BEARING	1		FRONT
1-2	1-0456-62007	1-81129196-0	BALL BEARING	1		REAR
2	0-24200-0064		YOKE ASSY	1		INCLUDING 2 PCS. 7-4
3	0-24311-0031	1-81123044-1	FRONT BRACKET	1		
5	0-24500-0154	8-98146943-0	O.R.CLUTCH ASSY	1		
6	0-24611-0030	1-81118055-0	CENTER BRACKET	1		
6-1	0-24321-0024	1-81127045-0	SHIFT LEVER	1		
6-2	0-23904-0070	8-94340471-0	PIN	1		
6-3	0-24927-0010	1-81118051-0	HOLDER	2		
6-4	0-24922-0020	1-81129637-0	PLATE	1		
6-5	0-47100-4193	1-81151109-1	MAG.SWITCH ASSY	1		
6-6	0-0273-06252	1-81129638-0	BOLT	3		
6-7	0-0273-06752	1-81129605-0	BOLT	1		
6-8	0-0276-06352	1-81129604-0	BOLT	1		
6-9	0-09001-4840	1-81129603-0	BOLT	2		
6-10	0-47120-1924		PLUNGER CO	1		
6-11	7-47150-0020	1-81129750-0	M.CONTACTOR ASSY	1		
6-12	0-47780-0931	1-81129752-0	TERMINAL ASSY	1		
6-13	0-24911-0040		SPRING	1		
7-1	0-24710-0080	1-81115227-0	REAR BRACKET CO	1		INCLUDING 10-4
7-2	0-24750-0055	8-98207835-0	BRUSH HOLDER CO	1		INCLUDING 7-3, 2 PCS OF 7-4
7-3	0-24913-0010	1-81117029-0	BRUSH SPRING	4		
7-4	0-24740-0056	8-98207836-0	BRUSH CO	4		INCLUDING 2PCS OF YOKE SIDE
7-5	0-09001-4920	1-81129639-0	BOLT	1		THROUGH BOLT
7-6	0-09001-4930	1-81129640-0	BOLT	1		THROUGH BOLT
7-7	0-09011-3140	1-81129641-0	SCREW	2		
10-1	1-31921-0130	9-82215101-0	WASHER	1		FOR ADJUSTMENT
10-2	1-31921-0121	8-94340468-0	WASHER	1		FOR ADJUSTMENT
10-4	0-24921-0060		WASHER	1		
※	7-09210-2090	1-81129642-0	SEAL ASSY	1		



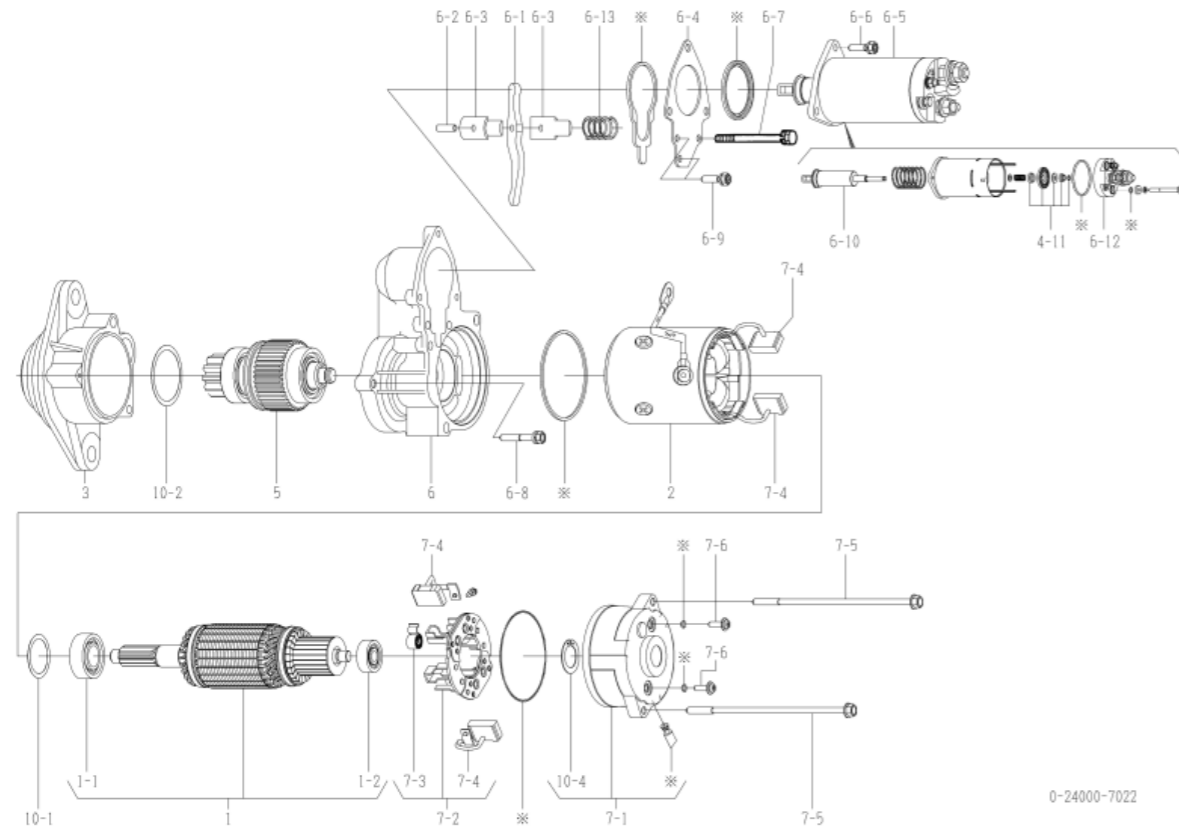
※	7-09210-2090	SEAL ASSY	
	1-23951-0020	PACKING	1
	0-24951-0020	PACKING	1
	0-24951-0030	PACKING	1
	1-09211-0980	O RING	1
	1-09211-0931	O RING	1
	0-23952-0021	GUM CAP	1
	1-09211-0081	O RING	2
	1-09211-0520	O RING	2

0-24000-7022 STARTING MOTOR

OEM CUSTOMER	ISUZU	OEM PARTS NUMBER	1-81100-333-2
NOMINAL OUT PUT	24V 5.5Kw	SUPPLY TERM	00.03~
WEIGHT	10.6kg	SWITCH	SEPERATED SAFTY RELEY
ENGINE MODEL	6HE1		
VEHICLE	LR (IDLING REDUCTION VERSION), LT (IDLING REDUCTION VERSION)		
DESIGN RECORD	7020 → 7021 PINION AND SHAFT CHANGED 7021 → 7022 MAG. SW CHANGED		
NOTE	DRIP PROOF φ101.5 IDLING STOP VERSION		

0-24000-7022 STARTING MOTOR (MAKER PART NO 1-81100-333-2)

No	Parts Number	Maker Parts No	Description	Qty	List Price	Note
1	0-24100-0060	1-81121064-0	ARMATURE CO	1		INCLUDING 1-1, 1-2
1-1	1-0456-60057	5-81129161-0	BALL BEARING	1		FRONT
1-2	1-0456-62007	1-81129196-0	BALL BEARING	1		REAR
2	0-24200-0105		YOKE ASSY	1		INCLUDING 2 PCS. 7-4
3	0-24311-0130	1-81123054-0	FRONT BRACKET	1		
4-11	7-47150-0020	1-81129750-0	M.CONTACTOR ASSY	1		
5	0-24500-0154	8-98146943-0	O.R.CLUTCH ASSY	1		
6	0-24611-0060	1-81118063-0	CENTER BRACKET	1		
6-1	0-24321-0024	1-81127045-0	SHIFT LEVER	1		
6-2	0-23904-0070	8-94340471-0	PIN	1		
6-3	0-24927-0010	1-81118051-0	HOLDER	2		
6-4	0-24922-0060	1-81129776-0	PLATE	1		
6-5	0-47100-4193	1-81151109-1	MAG.SWITCH ASSY	1		
6-6	0-0273-06252	1-81129638-0	BOLT	3		
6-7	0-0273-06752	1-81129605-0	BOLT	1		
6-8	0-0276-06352	1-81129604-0	BOLT	2		
6-9	0-09001-4840	1-81129603-0	BOLT	2		
6-10	0-47120-1924		PLUNGER CO	1		
6-12	0-47780-0931	1-81129752-0	TERMINAL ASSY	1		
6-13	0-24911-0040		SPRING	1		
7-1	0-24710-0100	1-81115232-0	REAR BRACKET CO	1		INCLUDING 10-4
7-2	0-24750-0055	8-98207835-0	BRUSH HOLDER CO	1		INCLUDING 7-3, 2 PCS OF 7-4
7-3	0-24913-0010	1-81117029-0	BRUSH SPRING	4		
7-4	0-24740-0056	8-98207836-0	BRUSH CO	4		INCLUDING 2PCS OF YOKE SIDE
7-5	0-09001-4930	1-81129640-0	BOLT	2		THROUGH BOLT
7-6	0-09011-3140	1-81129641-0	SCREW	2		
10-1	1-31921-0130	9-82215101-0	WASHER	1		FOR ADJUSTMENT
10-2	1-31921-0121	8-94340468-0	WASHER	1		FOR ADJUSTMENT
10-4	0-24921-0060		WASHER	1		
※	7-09210-2430	1-81129777-0	SEAL ASSY	1		



※	7-09210-2430	SEAL ASSY	
	1-23951-0020	PACKING	1
	0-24951-0090	PACKING	1
	0-24951-0030	PACKING	1
	1-09211-0980	O RING	1
	1-09211-0931	O RING	1
	0-23952-0021	GUM CAP	1
	1-09211-0081	O RING	2
	1-09211-0520	O RING	2