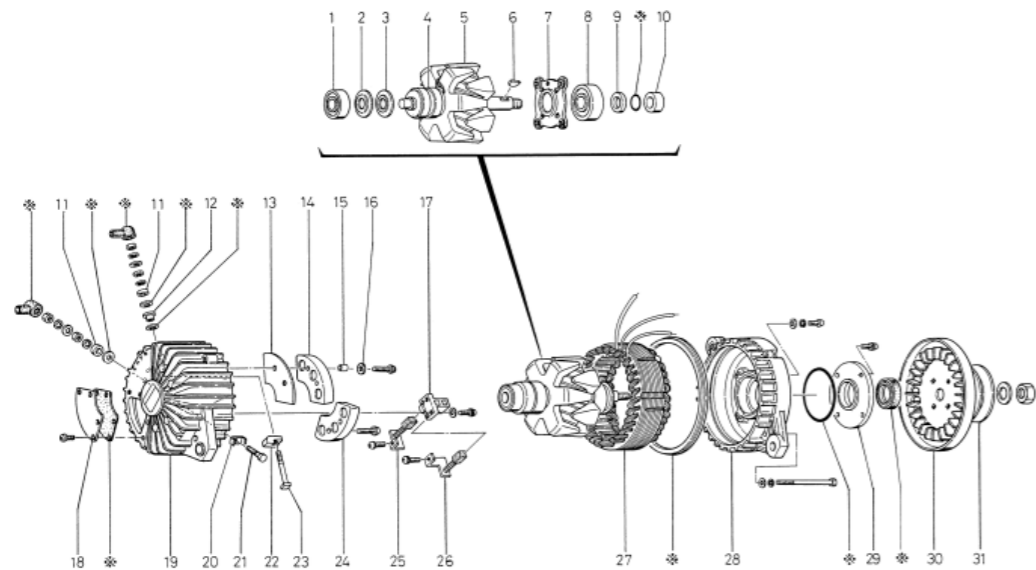


0-33000-1180 ALTERNATOR

OEM CUSTOMER	KOMATSU	OEM PARTS NUMBER	600-821-8160
NOMINAL OUT PUT	24V 35A	SUPPLY TERM	70.07~
WEIGHT	13kg	REGULATOR	0-41000-0100→0-41000-1250 (OPTIONAL)
ENGINE MODEL	S6D155, OTHERS		
VEHICLE	D155A-1, OTHERS		
DESIGN RECORD			
NOTE	# 19 TYPE V BELT SINGLE PEAK CLOCKWISE ROTATION		

0-33000-1180 ALTERNATOR (MAKER PART NO 600-821-8160)

No	Parts Number	Maker Parts No	Description	Qty	List Price	Note
1	1-0452-63037		BALL BEARING	1		REAR
2	1-33926-0230		RETAINER	1		
3	1-33922-0070		PLATE	1		
4	1-33130-0140		SLIPRING CO	2		
5	0-33100-0230		ROTOR ASSY	1		INCLUDING 4
6	1-0416-04160		WOODRUFF KEY	1		
7	0-33926-0080		RETAINER	1		
8	1-0452-63047		BALL BEARING	1		FRONT
9	1-33923-0150		COLLAR	1		
10	1-33923-0160		COLLAR	1		
11	1-33923-0170		COLLAR	4		
12	1-33943-0300		INSULATE BUSH	3		
13	1-33946-0121		INSULATE SHEET	1		
14	0-33730-0370		RECTIFIER ASSY	1		
15	1-33944-0240		INSULATE TUBE	2		
16	1-33941-0160		INSULATE WASHER	2		
17	0-33720-0780		BRUSH HOLDER CO	1		
18	1-33761-0280		COVER	1		
19	0-33710-0272		REAR BRACKET CO	1		
20	1-33927-0390		HOLDER	1		
21	0-33901-0430		BOLT	1		
22	1-33943-0701		INSULATE BUSH	3		
23	0-33901-0340		BOLT	3		THROUGH BOLT
24	1-33730-0380		RECTIFIER ASSY	1		
25	1-33740-0440		BRUSH CO	1		
26	1-33740-0430		BRUSH CO	1		
27	1-33200-0300		STATOR ASSY	1		
28	0-33310-0132		FRONT BRACKET CO	1		
29	1-33926-0100		RETAINER	1		
30	1-33421-0450		FAN	1		
31	1-33411-0580		PULLEY	1		
※	7-09210-0060		SEAL ASSY	1		



0-33000-1180

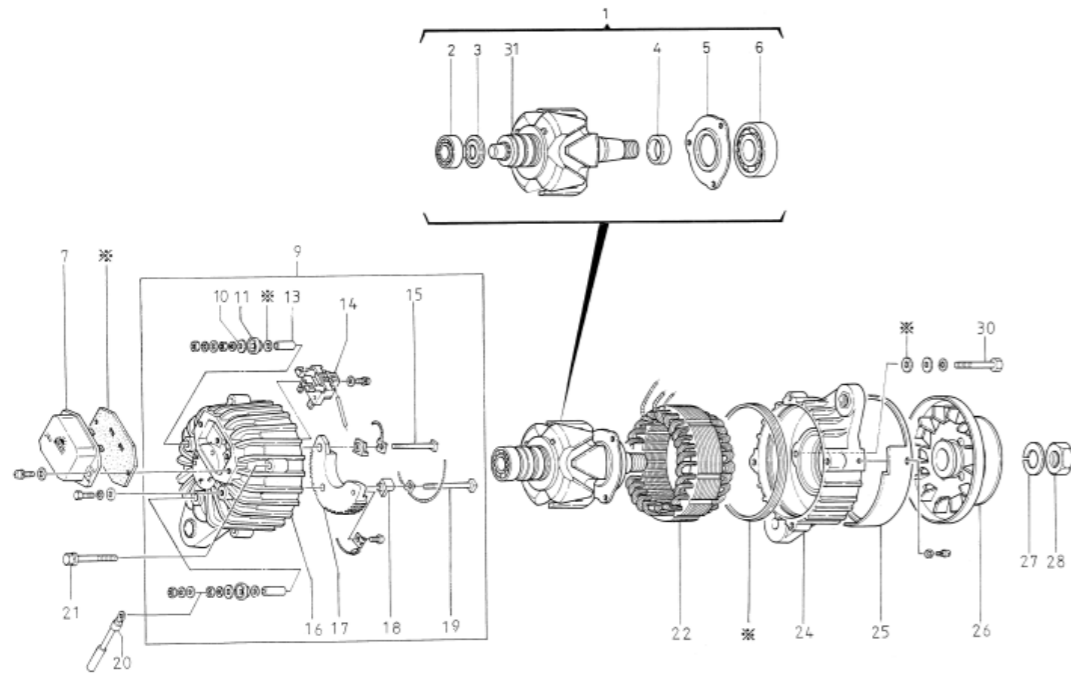
※	7-09210-0060	SEAL ASSY	
	1-0345-05001	SEAL WASHER	4
	1-0345-08001	SEAL WASHER	3
	1-0505-02001	O RING	1
	1-0507-08001	O RING	1
	1-0514-32523	OIL SEAL	1
	1-09252-0020	GUM CAP	4
	1-33951-0121	PACKING	1
	1-33951-0130	PACKING	1

0-33000-2200 ALTERNATOR

OEM CUSTOMER	KOMATSU	OEM PARTS NUMBER	600-821-3280
NOMINAL OUT PUT	24V 13A	SUPPLY TERM	73.08~
WEIGHT	7.6kg	REGULATOR	1-44000-0730
ENGINE MODEL	S6D95L, OTHERS		
VEHICLE	DCA85AKT20, OTHERS		
DESIGN RECORD			
NOTE	#17 TYPE V BELT SINGLE PEAK CLOCKWISE ROTATION		

0-33000-2200 ALTERNATOR (MAKER PART NO 600-821-3280)

No	Parts Number	Maker Parts No	Description	Qty	List Price	Note
1	7-33100-0121		ROTOR ASSY	1		INCLUDING 2~6, 31
2	1-0452-62027		BALL BEARING	1		REAR
3	1-33926-0820		RETAINER	1		
4	1-33923-0570		COLLAR	1		
5	0-33926-0370		RETAINER	1		
6	1-0452-63057		BALL BEARING	1		FRONT
7	1-44000-0730		REGULATOR	1		
9	0-33700-1960		R.BRACKET ASSY	1		INCLUDING 10~19
10	1-47921-0710		WASHER	2		
11	1-33943-0731		INSULATE BUSH	2		
13	1-33944-0490		INSULATE TUBE	1		
14	1-33720-0792		BRUSH HOLDER CO	1		
15	0-33901-0500		BOLT	1		
16	0-33710-1340		REAR BRACKET CO	1		
17	0-33730-1600		RECTIFIER ASSY	1		
18	1-33943-0870		INSULATE BUSH	2		
19	0-33901-0370		BOLT	1		
20	1-33785-1390		LEAD WIRE CO	1		
21	0-0274-06652		BOLT	4		THROUGH BOLT
22	1-33200-1000		STATOR ASSY	1		
24	1-33300-0450		F.BRACKET ASSY	1		
25	1-33761-0870		COVER	1		
26	0-33400-0700		PULLEY ASSY	1		
27	1-0335-18002		SPRING WASHER	1		
28	0-0280-18022		NUT	1		
30	0-0080-05322		BOLT	3		
31	1-33130-0172		SLIPRING CO	1		
※	7-09210-0230		SEAL ASSY	1		
※	7-09210-0230		SEAL ASSY			
※	1-0345-05001		SEAL WASHER	3		
※	1-33951-0270		PACKING	1		
※	1-33951-0280		PACKING	1		
※	1-33951-0290		PACKING	2		



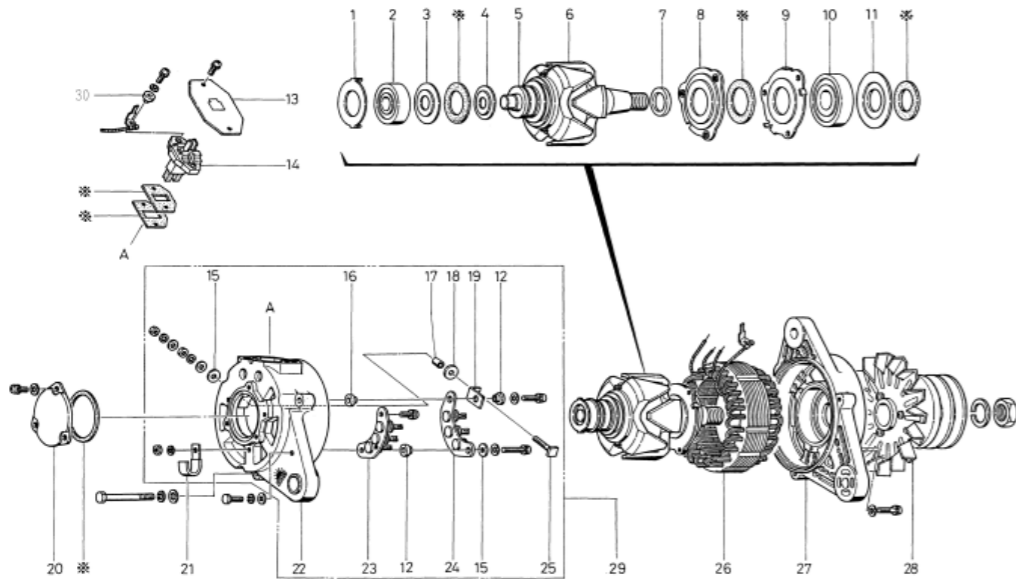
0-33000-2200

0-33000-3690 ALTERNATOR

OEM CUSTOMER	ISUZU	OEM PARTS NUMBER	1-81200202-0
NOMINAL OUT PUT	24V 20A	SUPPLY TERM	79.02~
WEIGHT	7.1kg	REGULATOR	0-41000-2390→0-44000-1340 (OPRIONAL)
ENGINE MODEL	DA, OTHERS		
VEHICLE	XE, TX, TD, OTHERS		
DESIGN RECORD			
NOTE	B TYPE V BELT DOUBLE PEAKS CLOCKWISE ROTATION		

0-33000-3690 ALTERNATOR (MAKER PART NO 1-81200-202-0)

No	Parts Number	Maker Parts No	Description	Qty	List Price	Note
1	1-33931-0100	1-81229230-0	CLIP	1		
2	1-09201-0410	1-81229224-0	BALL BEARING	1		REAR
3	1-33926-0230	9-82216060-0	RETAINER	1		
4	1-33922-0070	1-81229123-0	PLATE	1		
5	7-33130-0230	1-81224014-0	SLIPRING CO	1		
6	1-33100-0930	1-81221050-0	ROTOR ASSY	1		INCLUDING 5
7	1-33923-0640	1-81229160-0	COLLAR	1		
8	0-33926-0470	1-81229161-0	RETAINER	1		
9	1-33926-0500	1-81229163-0	RETAINER	1		
10	1-0456-63057	1-81229225-0	BALL BEARING	1		FRONT
11	1-33926-0460	1-81229164-0	RETAINER	1		
12	1-33943-0770	1-33943-0770	INSULATE BUSH	2		
13	1-33761-0901	1-81229154-0	COVER	1		
14	1-33720-0630	1-81217015-0	BRUSH HOLDER CO	1		
15	1-47941-0180	1-81229227-0	INSULATE WASHER	2		
16	1-33943-0800	1-81229111-0	INSULATE BUSH	1		
17	1-25944-0300	1-81229234-0	INSULATE TUBE	1		
18	1-47941-0420	1-81229182-0	INSULATE WASHER	1		
19	1-33928-0150	1-81229168-0	STOPPER	1		
20	1-33301-0250	1-81214083-0	BEARING COVER	1		
21	1-33931-0060	1-81118011-0	CLIP	1		
22	0-33710-2101	1-81214110-0	REAR BRACKET CO	1		
23	1-33730-1490	1-81219014-0	RECTIFIER ASSY	1		(-)
24	0-33730-1480	1-81219015-0	RECTIFIER ASSY	1		(+)
25	0-33901-0640	5-81229192-0	BOLT	1		
26	1-33200-0900	1-81211032-0	STATOR ASSY	1		
27	1-33310-0760	1-81213024-0	FRONT BRACKET CO	1		
28	0-33400-1400	1-81222034-0	PULLEY ASSY	1		
29	0-33700-1871	1-81214095-0	R.BRACKET ASSY	1		INCLUDING 12, 15~19, 22~25
30	1-33943-0720	1-81229042-0	INSULATE BUSH	1		
※	7-09210-1940		SEAL ASSY	1		



0-33000-3690

7-09210-1940 SEAL ASSY

1-33951-0370 PACKING 1

1-33951-0380 PACKING 1

1-33951-0420 PACKING 1

1-33951-0440 PACKING 1

1-33951-0450 PACKING 1

1-33951-0520 PACKING 1

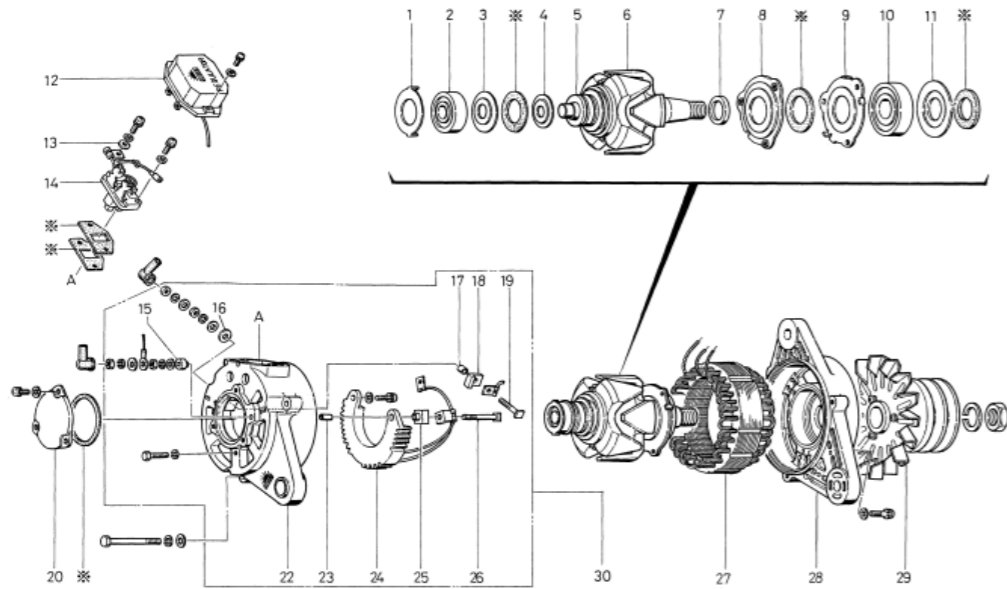
0-33000-3710 ALTERNATOR

OEM CUSTOMER	ISUZU	OEM PARTS NUMBER	1-81200206-0
NOMINAL OUT PUT	24V 25A	SUPPLY TERM	79.02~
WEIGHT	7.3kg	REGULATOR	1-44000-0740
ENGINE MODEL	DA640M		
VEHICLE	MARINE		
DESIGN RECORD			
NOTE	B TYPE V BELT DOUBLE PEAKS FLOATED EARTH FOR INSULATION (MARINE TYPE) CLOCKWISE ROTATION		

0-33000-3710 ALTERNATOR (MAKER PART NO 1-81200206-0)

No	Parts Number	Maker Parts No	Description	Qty	List Price	Note
1	1-33931-0100	1-81229230-0	CLIP	1		
2	1-09201-0410	1-81229224-0	BALL BEARING	1		REAR
3	1-33926-0230	9-82216060-0	RETAINER	1		
4	1-33922-0070	1-81229123-0	PLATE	1		
5	7-33130-0230	1-81224014-0	SLIPRING CO	1		
6	1-33100-0930	1-81221050-0	ROTOR ASSY	1		INCLUDING 5
7	1-33923-0640	1-81229160-0	COLLAR	1		
8	0-33926-0470	1-81229161-0	RETAINER	1		
9	1-33926-0500	1-81229163-0	RETAINER	1		
10	1-0456-63057	1-81229225-0	BALL BEARING	1		FRONT
11	1-33926-0460	1-81229164-0	RETAINER	1		
12	1-44000-0740	1-81251025-0	REGULATOR	1		
13	1-25941-0820	1-81229135-0	INSULATE WASHER	1		
14	1-33720-0692	1-81217033-0	BRUSH HOLDER CO	1		
15	1-33943-0800	1-81229111-0	INSULATE BUSH	1		
16	1-47941-0180	1-81229227-0	INSULATE WASHER	1		
17	1-25944-0300	1-81229234-0	INSULATE TUBE	1		
18	1-33943-0890	1-81229235-0	INSULATE BUSH	1		
19	0-33901-0580	1-81229168-0	BOLT	1		
20	1-33301-0251	1-81214080-0	BEARING COVER	1		
22	0-33710-2210	1-81214079-0	REAR BRACKET CO	1		
23	1-33944-0550	1-81229236-0	INSULATE TUBE	1		
24	0-33730-1810	1-81219032-0	RECTIFIER ASSY	1		
25	1-33943-0870	1-81229237-0	INSULATE BUSH	1		
26	0-33901-0590	1-81229229-0	BOLT	1		
27	1-33200-0970	1-81211031-0	STATOR ASSY	1		
28	1-33310-0761	1-81213025-0	FRONT BRACKET CO	1		
29	0-33400-1401	1-81222033-0	PULLEY ASSY	1		
30	0-33700-1930	1-81214078-0	R.BRACKET ASSY	1		INCLUDING 15~19,22~26
※	7-09210-1940		SEAL ASSY	1		

7-09210-1940	SEAL ASSY	
1-33951-0370	PACKING	1
1-33951-0380	PACKING	1
1-33951-0420	PACKING	1
1-33951-0440	PACKING	1
1-33951-0450	PACKING	1
1-33951-0520	PACKING	1



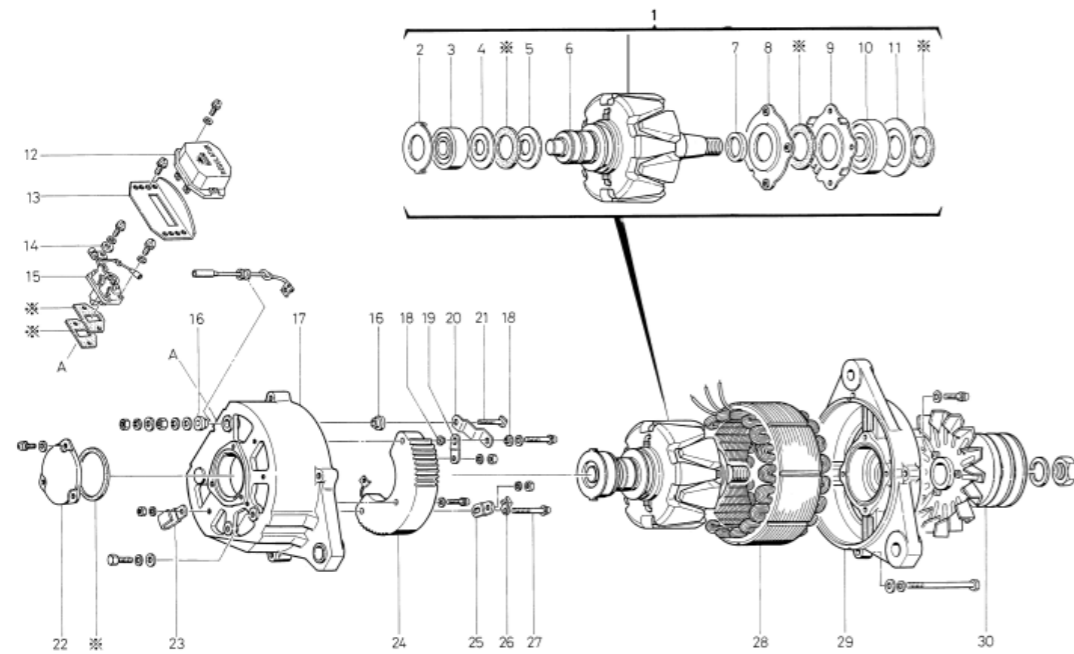
0-33000-3710

0-33000-3850 ALTERNATOR

OEM CUSTOMER	ISUZU	OEM PARTS NUMBER	1-81200218-0
NOMINAL OUT PUT	24V 60A	SUPPLY TERM	79.07~
WEIGHT	15.2kg	REGULATOR	1-44000-0730
ENGINE MODEL	E120, OTHERS		
VEHICLE	INDUSTRY (XE), OTHERS		
DESIGN RECORD			
NOTE	B TYPE V BELT DOUBLE PEAKS CLOCKWISE ROTATION		

0-33000-3850 ALTERNATOR (MAKER PART NO 1-81200218-0)

No	Parts Number	Maker Parts No	Description	Qty	List Price	Note
1	7-33100-0241	1-81221065-0	ROTOR ASSY	1		INCLUDING 2~11
2	1-33931-0100	1-81229230-0	CLIP	1		
3	1-09201-0410	1-81229224-0	BALL BEARING	1		REAR
4	1-33926-0230	9-82216060-0	RETAINER	1		
5	1-33922-0070	1-81229123-0	PLATE	1		
6	7-33130-0230	1-81224014-0	SLIPRING CO	1		
7	1-33923-0640	1-81229160-0	COLLAR	1		
8	0-33926-0600	1-81229170-0	RETAINER	1		
9	1-33926-0590	1-81229171-0	RETAINER	1		
10	1-0456-63057	1-81229225-0	BALL BEARING	1		FRONT
11	1-33926-0460	1-81229164-0	RETAINER	1		
12	1-44000-0730	1-81251024-0	REGULATOR	1		
13	1-33761-0961	1-81229275-0	COVER	1		
14	1-25941-0820	1-81229135-0	INSULATE WASHER	1		
15	1-33720-0761	1-81217024-0	BRUSH HOLDER CO	1		
16	1-33943-0880	1-81229248-0	INSULATE BUSH	2		
17	0-33710-2360	1-81214121-0	REAR BRACKET CO	1		
18	1-33943-0770	1-81229042-0	INSULATE BUSH	2		
19	1-33784-0170	1-81229363-0	CONNECT BAR	1		
20	1-33784-0180	1-81229364-0	CONNECT BAR	1		
21	1-33901-0251	1-81229238-0	BOLT	1		
22	1-33301-0250	1-81214083-0	BEARING COVER	1		
23	1-33931-0060	1-81118011-0	CLIP	1		
24	1-33730-1820	1-81219045-0	RECTIFIER ASSY	1		
25	1-33784-0100	1-81229366-0	CONNECT BAR	1		
26	1-33931-0150		CLIP	1		
27	0-09011-2310	1-81229368-0	SCREW	1		
28	1-33200-1040	1-81211043-0	STATOR ASSY	1		
29	1-33310-0870	1-81213031-0	FRONT BRACKET CO	1		
30	0-33400-1410	1-81222039-0	PULLEY ASSY	1		
※	7-09210-1940		SEAL ASSY	1		



0-33000-3850

7-09210-1940 SEAL ASSY

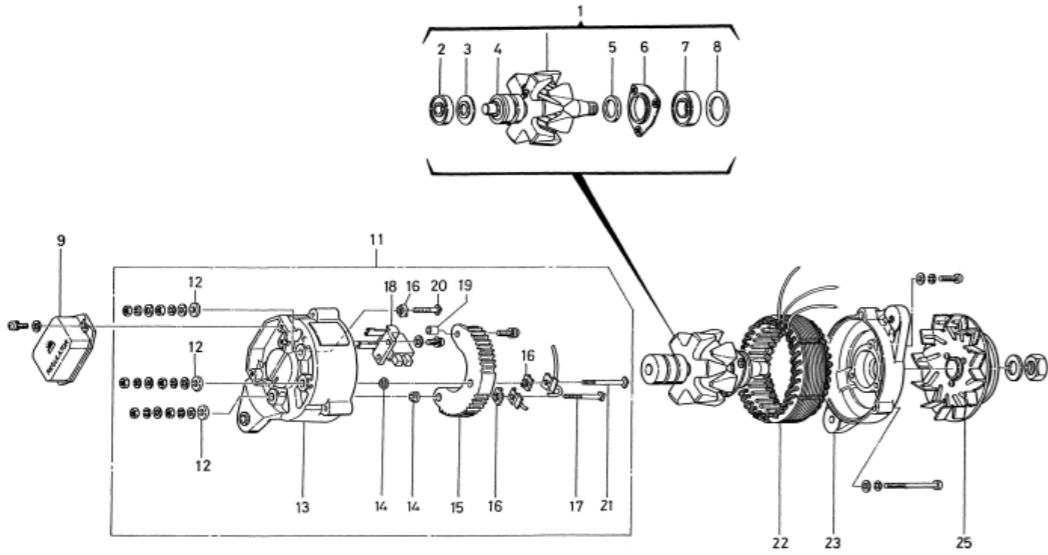
1-33951-0370	PACKING	1
1-33951-0380	PACKING	1
1-33951-0420	PACKING	1
1-33951-0440	PACKING	1
1-33951-0450	PACKING	1
1-33951-0520	PACKING	1

0-33000-3941 ALTERNATOR

OEM CUSTOMER	ISUZU	OEM PARTS NUMBER	5-81200184-2
NOMINAL OUT PUT	24V 15A	SUPPLY TERM	80.04~
WEIGHT	4.2kg	REGULATOR	1-44000-0740
ENGINE MODEL	UM4BA1		
VEHICLE	MARINE		
DESIGN RECORD			
NOTE	B TYPE V BELT SINGLE PEAK FLOATED EARTH FOR INSULATION (MARINE TYPE) CLOCKWISE ROTATION		

0-33000-3941 ALTERNATOR (MAKER PART NO 5-81200184-2)

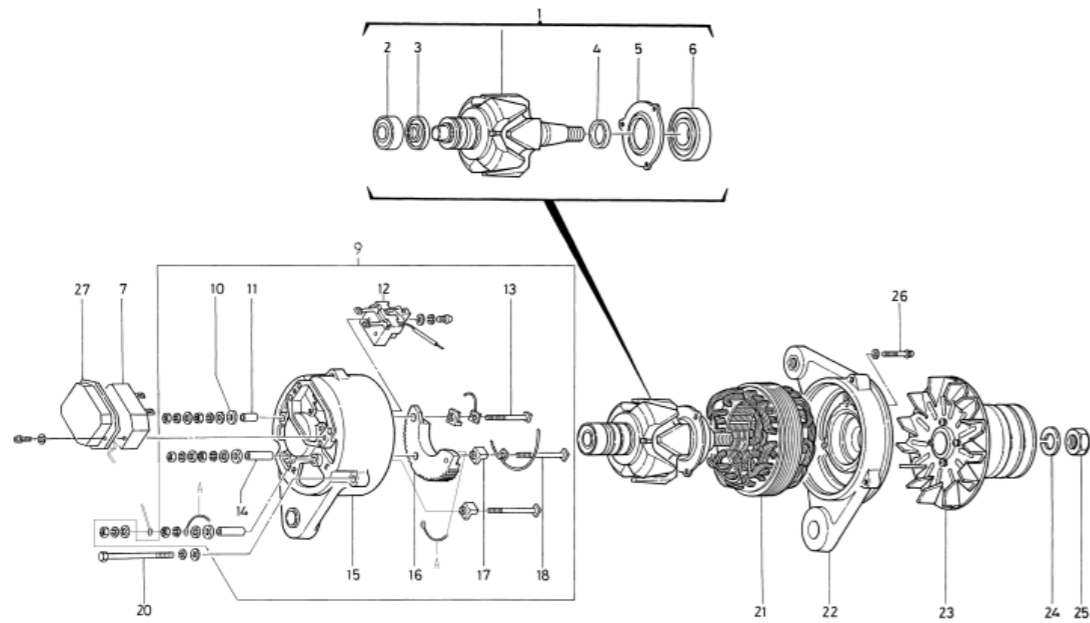
No	Parts Number	Maker Parts No	Description	Qty	List Price	Note
1	7-33100-0360	5-81221057-0	ROTOR ASSY	1		INCLUDING 2~8
2	1-0456-62017	5-81229132-0	BALL BEARING	1		REAR
3	1-33926-0250	9-82215839-0	RETAINER	1		
4	1-33130-0220	5-81224002-0	SLIPRING CO	1		
5	1-33923-0600	5-81229097-0	COLLAR	1		
6	0-33926-0440	5-81229098-0	RETAINER	1		
7	1-0456-60047	5-81229141-0	BALL BEARING	1		FRONT
8	1-33921-0120	5-09503064-0	WASHER	1		
9	1-44000-0740	1-81251025-0	REGULATOR	1		
11	0-33700-2190	5-81214109-0	R.BRACKET ASSY	1		INCLUDING 12~21
12	1-09102-0010	9-88120291-0	INSULATE PLATE	3		
13	0-33710-2141	5-81214110-0	REAR BRACKET CO	1		
14	1-33943-0720	1-81229138-0	INSULATE BUSH	2		
15	0-33730-1600	5-81219019-0	RECTIFIER ASSY	1		
16	1-33943-0760	5-81229169-0	INSULATE BUSH	3		
17	0-33901-0410	1-81229140-0	BOLT	1		
18	1-33720-0652	5-81217013-1	BRUSH HOLDER CO	1		
19	1-33923-0170	1-81229125-0	COLLAR	1		
20	0-33901-0470	5-09060003-0	BOLT	1		
21	0-33901-0480	5-09060004-0	BOLT	1		
22	1-33200-0850	5-81211033-0	STATOR ASSY	1		
23	1-33311-0283	5-81214111-0	FRONT BRACKET	1		
25	0-33400-1200	5-81222040-0	PULLEY ASSY	1		



0-33000-3941

0-33000-4470 ALTERNATOR

OEM CUSTOMER	KOMATSU	OEM PARTS NUMBER	600-821-5470
NOMINAL OUT PUT	24V 22A	SUPPLY TERM	80.07~
WEIGHT	7kg	REGULATOR	0-44000-0831
ENGINE MODEL	4D95L, OTHERS		
VEHICLE	EM436, EM636T, OTHERS		
DESIGN RECORD			
NOTE	M TYPE V BELT DOUBLE PEAKS FLOATED EARTH FOR INSULATION (MARINE TYPE) CLOCKWISE ROTATION RADIO DISTURBANCE PROTECTION		



0-33000-4470

0-33000-4470 ALTERNATOR (MAKER PART NO 600-821-5470)

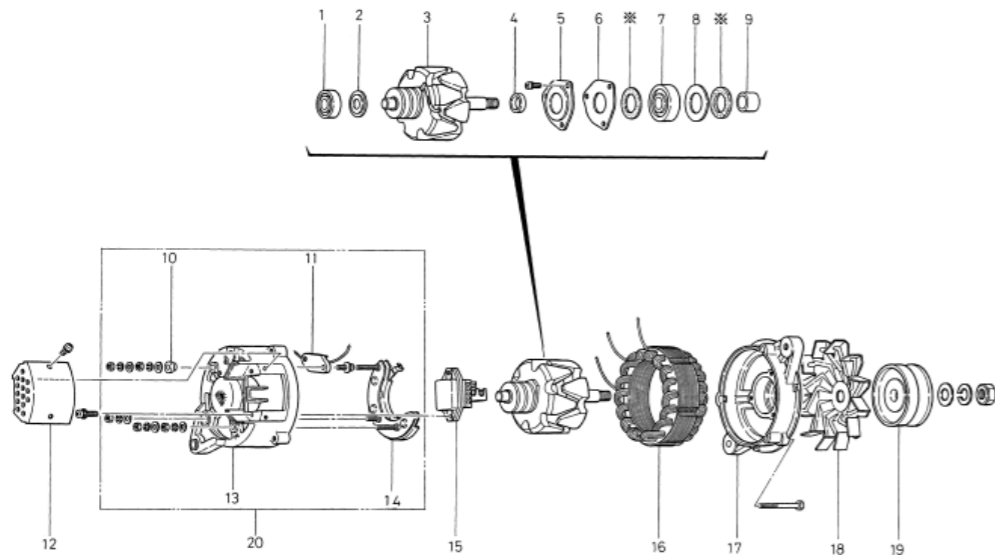
No	Parts Number	Maker Parts No	Description	Qty	List Price	Note
1	7-33100-0130		ROTOR ASSY	1		INCLUDING 2~6
2	1-0452-62027		BALL BEARING	1		REAR
3	1-33926-0820		RETAINER	1		
4	1-33923-0570		COLLAR	1		
5	0-33926-0370		RETAINER	1		
6	1-0452-63057		BALL BEARING	1		FRONT
7	0-44000-0831		REGULATOR	1		
9	0-33700-2250		R.BRACKET ASSY	1		INCLUDING 10~18
10	1-09102-0010		INSULATE PLATE	3		
11	1-33944-0490		INSULATE TUBE	1		
12	1-33720-0820		BRUSH HOLDER CO	1		
13	0-33901-0501		BOLT	1		
14	1-33944-0540		INSULATE TUBE	1		
15	0-33710-2510		REAR BRACKET CO	1		
16	0-33730-2080		RECTIFIER ASSY	1		
17	1-33943-0870		INSULATE BUSH	2		
18	0-33901-0371		BOLT	1		
20	0-0275-06852		BOLT	3		THROUGH BOLT
21	1-33200-0990		STATOR ASSY	1		
22	1-33310-0683		FRONT BRACKET CO	1		
23	0-33400-1640		PULLEY ASSY	1		
24	1-0335-18002		SPRING WASHER	1		
25	0-09006-0200		NUT	1		
26	0-0055-05282		SCREW	3		
27	1-44761-0540		COVER	1		

0-33000-5510 ALTERNATOR

OEM CUSTOMER	KOMATSU	OEM PARTS NUMBER	600-821-3850
NOMINAL OUT PUT	24V 15A	SUPPLY TERM	83.12~
WEIGHT	4kg	REGULATOR	BUILT-IN
ENGINE MODEL	6D95L, OTHERS		
VEHICLE	PC60-5, OTHERS		
DESIGN RECORD			
NOTE	# 17 TYPE V BELT SINGLE PEAK CLOCKWISE ROTATION		

0-33000-5510 ALTERNATOR (MAKER PART NO 600-821-3850)

No	Parts Number	Maker Parts No	Description	Qty	List Price	Note
1	1-0452-62017		BALL BEARING	1		REAR
2	1-33926-0252		RETAINER	1		
3	0-33100-1380		ROTOR ASSY	1		
4	1-33923-0940		COLLAR	1		
5	1-33926-0930		RETAINER	1		
6	1-33926-0920		RETAINER	1		
7	1-0452-63027		BALL BEARING	1		FRONT
8	1-33926-0910		RETAINER	1		
9	1-33923-0930		COLLAR	1		
10	1-38943-0050		INSULATE BUSH	1		
11	1-33780-0600		TERMINAL ASSY	1		
12	1-33761-1170		COVER	1		
13	0-33710-3100		REAR BRACKET CO	1		
14	0-33730-2300		RECTIFIER ASSY	1		
15	0-33719-0081		REGULATOR ASSY	1		
16	0-33200-1311		STATOR ASSY	1		
17	0-33311-0420		FRONT BRACKET	1		
18	1-33421-0600		FAN	1		
19	0-33411-2720		PULLEY	1		
20	0-33700-2590		R.BRACKET ASSY	1		INCLUDING 10,11,13,14
※	1-33951-0680		PACKING	2		



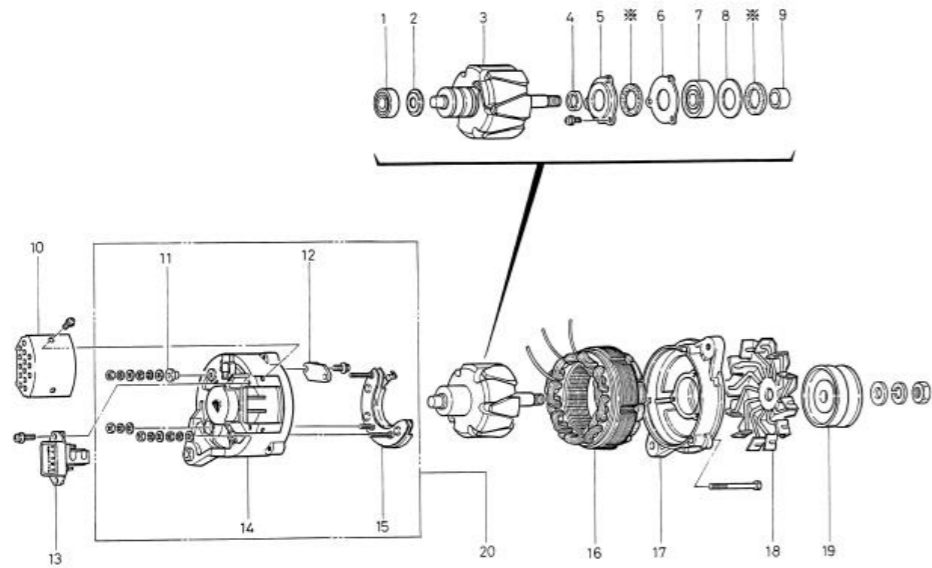
0-33000-5510

0-33000-5710 ALTERNATOR

0-33000-5710 ALTERNATOR (MAKER PART NO 600-821-3870)

OEM CUSTOMER	KOMATSU	OEM PARTS NUMBER	600-821-3870
NOMINAL OUT PUT	24V 15A	SUPPLY TERM	84.12~
WEIGHT	4kg	REGULATOR	BUILT-IN
ENGINE MODEL	6D95L		
VEHICLE	PC60-5		
DESIGN RECORD			
NOTE	# 17 TYPE V BELT SINGLE PEAK CLOCKWISE ROTATION		

No	Parts Number	Maker Parts No	Description	Qty	List Price	Note
1	1-0452-62017		BALL BEARING	1		REAR
2	1-33926-0252		RETAINER	1		
3	0-33100-1380		ROTOR ASSY	1		
4	1-33923-0940		COLLAR	1		
5	1-33926-0930		RETAINER	1		
6	1-33926-0920		RETAINER	1		
7	1-0452-63027		BALL BEARING	1		FRONT
8	1-33926-0910		RETAINER	1		
9	1-33923-0930		COLLAR	1		
10	1-33761-1170		COVER	1		
11	1-38943-0050		INSULATE BUSH	1		
12	1-33780-0600		TERMINAL ASSY	1		
13	0-33719-0081		REGULATOR ASSY	1		
14	0-33710-3100		REAR BRACKET CO	1		
15	0-33730-2300		RECTIFIER ASSY	1		
16	0-33200-1311		STATOR ASSY	1		
17	0-33311-0420		FRONT BRACKET	1		
18	1-33421-0600		FAN	1		
19	0-33411-2810		PULLEY	1		
20	0-33700-2590		R.BRACKET ASSY	1		INCLUDING 11,12,14,15
※	1-33951-0680		PACKING	2		



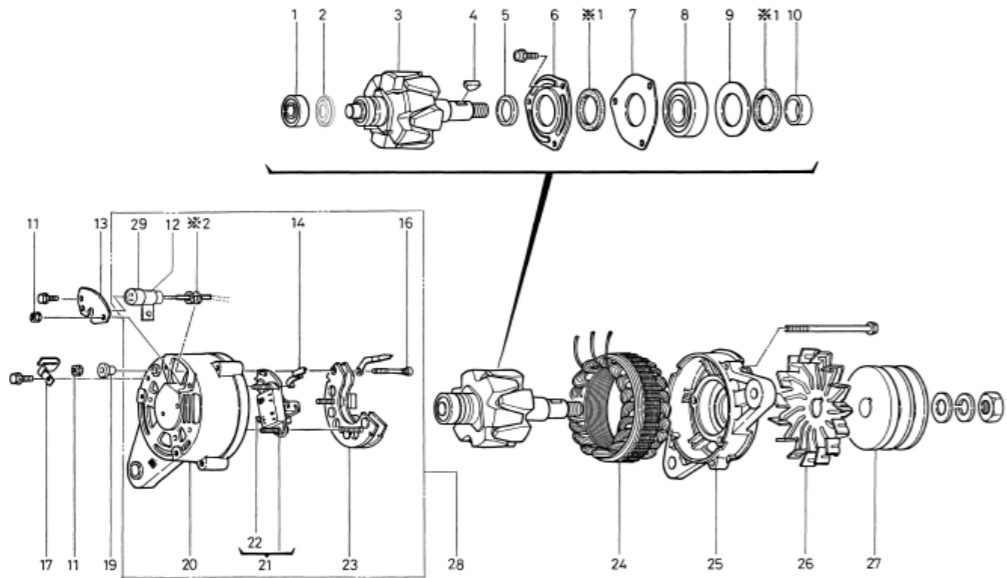
0-33000-5710

0-33000-5770 ALTERNATOR

OEM CUSTOMER	ISUZU	OEM PARTS NUMBER	1-81200352-0
NOMINAL OUT PUT	24V 25A	SUPPLY TERM	85.01~
WEIGHT	6.5kg	REGULATOR	BUILT-IN
ENGINE MODEL	6BD1		
VEHICLE	FSR, FTR		
DESIGN RECORD			
NOTE	B TYPE V BELT DOUBLE PEAKS CLOCKWISE ROTATION		

0-33000-5770 ALTERNATOR (MAKER PART NO 1-81200352-0)

No	Parts Number	Maker Parts No	Description	Qty	List Price	Note
1	1-09201-0530	8-94173054-0	BALL BEARING	1		REAR
2	1-33926-0820	8-94173060-0	RETAINER	1		
3	0-33100-1450	1-81221072-0	ROTOR ASSY	1		
4	1-0416-04160	9-82215994-0	WOODRUFF KEY	1		
5	0-33923-0980	1-81229543-0	COLLAR	1		
6	0-35926-0060	1-81229513-0	RETAINER	1		
7	1-33926-0750	1-81229376-0	RETAINER	1		
8	1-0456-63057	1-81229225-0	BALL BEARING	1		FRONT
9	1-33926-0730	1-81229526-0	RETAINER	1		
10	1-33923-0920	1-81229527-0	COLLAR	1		
11	0-33902-0080	8-98040690-0	NUT	6		
12	0-35927-0010	1-81217053-0	HOLDER	1		
13	0-33761-1200	1-81229544-0	COVER	1		
14	0-33784-0260	1-81229546-0	CONNECT BAR	1		
16	0-33901-0810	1-81229547-0	BOLT	1		
17	0-35931-0020	1-81229516-0	CLIP	1		
19	1-33943-0880	1-81229248-0	INSULATE BUSH	1		
20	0-33710-3340	1-81214224-0	REAR BRACKET CO	1		
21	0-33719-0010	1-81270005-0	REGULATOR ASSY	1		INCLUDING 22
22	1-33740-0455	8-98208228-0	BRUSH CO	2		
23	0-33730-2271	1-81217069-0	RECTIFIER ASSY	1		
24	0-33200-1420	1-81211088-0	STATOR ASSY	1		
25	0-33311-0490	1-81213067-0	FRONT BRACKET	1		
26	1-33421-0590	1-81223009-0	FAN	1		
27	1-35411-0100	1-81222055-0	PULLEY	1		
28	0-33700-2730	1-81214223-0	R.BRACKET ASSY	1		INC 12,14,16,20-23,29,※2
29	0-33780-0670	1-81229542-0	TERMINAL ASSY	1		
※1	1-33951-0610	1-81229383-0	PACKING	2		
※2	1-0540-06001	1-81229520-0	GUM BUSH	1		



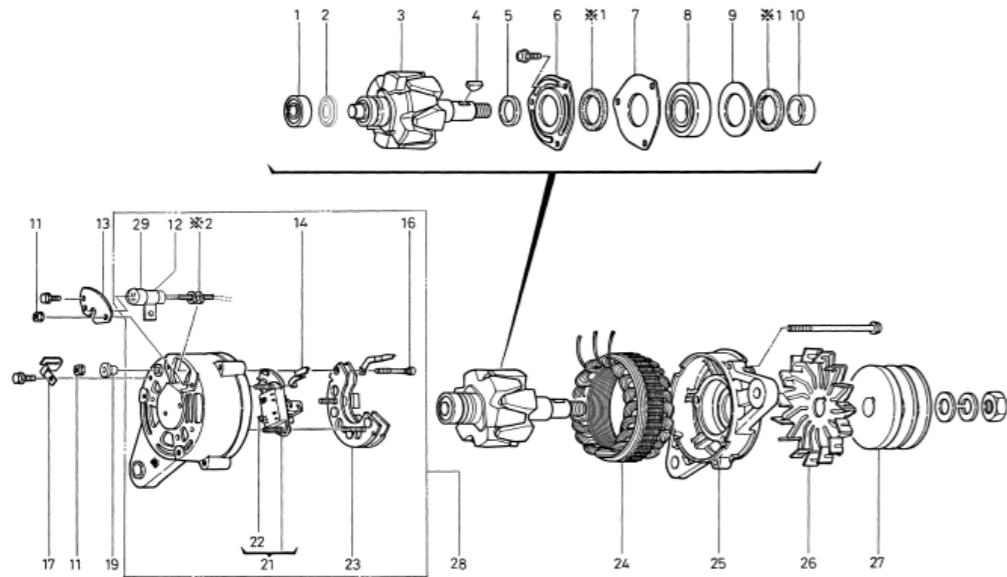
0-33000-5770

0-33000-5771 ALTERNATOR

OEM CUSTOMER	ISUZU	OEM PARTS NUMBER	1-81200425-0
NOMINAL OUT PUT	24V 25A	SUPPLY TERM	86.08~
WEIGHT	6.5kg	REGULATOR	BUILT-IN
ENGINE MODEL	6BD1		
VEHICLE	CV, OTHERS		
DESIGN RECORD			
NOTE	V 15 TYPE V BELT DOUBLE PEAKS CLOCKWISE ROTATION INTEGRATED TYPE OF 0-33000-5770		

0-33000-5771 ALTERNATOR (MAKER PART NO 1-81200425-0)

No	Parts Number	Maker Parts No	Description	Qty	List Price	Note
1	1-09201-0530	8-94173054-0	BALL BEARING	1		REAR
2	1-33926-0820	8-94173060-0	RETAINER	1		
3	0-33100-1450	1-81221072-0	ROTOR ASSY	1		
4	1-0416-04160	9-82215994-0	WOODRUFF KEY	1		
5	0-33923-0980	1-81229543-0	COLLAR	1		
6	0-35926-0060	1-81229513-0	RETAINER	1		
7	1-33926-0750	1-81229376-0	RETAINER	1		
8	1-0456-63057	1-81229225-0	BALL BEARING	1		FRONT
9	1-33926-0730	1-81229526-0	RETAINER	1		
10	1-33923-0920	1-81229527-0	COLLAR	1		
11	0-33902-0080	8-98040690-0	NUT	6		
12	0-35927-0010	1-81217053-0	HOLDER	1		
13	0-33761-1200	1-81229544-0	COVER	1		
14	0-33784-0310	8-94340114-0	CONNECT BAR	1		
16	0-33901-0810	1-81229547-0	BOLT	1		B TERMINAL
17	0-35931-0020	1-81229516-0	CLIP	1		
19	1-33943-0880	1-81229248-0	INSULATE BUSH	1		
21	0-33719-0090	1-81270015-0	REGULATOR ASSY	1		INCLUDING 22
22	1-33740-0450	8-98208228-0	BRUSH CO	2		
23	0-33730-2480	8-94338868-0	RECTIFIER ASSY	1		
24	0-33200-1420	1-81211088-0	STATOR ASSY	1		
25	0-33311-0490	1-81213067-0	FRONT BRACKET	1		
26	1-33421-0590	1-81223009-0	FAN	1		
27	1-35411-0100	1-81222055-0	PULLEY	1		
28	0-33700-2880	1-81214223-0	R.BRACKET ASSY	1		INC 12,14,16,21-23,29,※2
29	0-33780-0670	1-81229542-0	TERMINAL ASSY	1		
※1	1-33951-0610	1-81229383-0	PACKING	2		
※2	1-0540-06001	1-81229520-0	GUM BUSH	1		



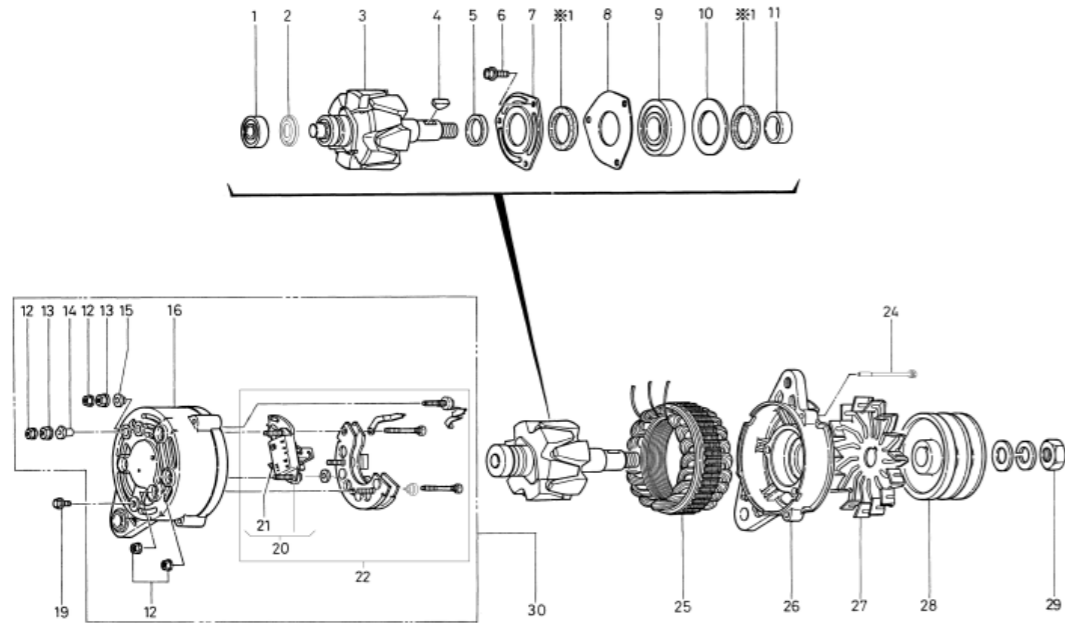
0-33000-5771

0-33000-5840 ALTERNATOR

OEM CUSTOMER	KOMATSU	OEM PARTS NUMBER	600-821-6130
NOMINAL OUT PUT	24V 25A	SUPPLY TERM	85.04~
WEIGHT	6.5kg	REGULATOR	BUILT-IN
ENGINE MODEL	6D105, OTHERS		
VEHICLE	D40-3, D41, OTHERS		
DESIGN RECORD			
NOTE	#17 TYPE V BELT DOUBLE PEAKS CLOCKWISE ROTATION THE PULLEY IS DIFFERENT FROM 0-33000-5850, 5860, 5870, 5880 AND 6511		

0-33000-5840 ALTERNATOR (MAKER PART NO 600-821-6130)

No	Parts Number	Maker Parts No	Description	Qty	List Price	Note
1	1-09201-0530		BALL BEARING	1		REAR
2	1-33926-0820		RETAINER	1		
3	0-33100-1450		ROTOR ASSY	1		
4	1-0416-04160		WOODRUFF KEY	1		
5	0-33923-0980		COLLAR	1		
6	1-0055-06162		SCREW	3		
7	0-35926-0060		RETAINER	1		
8	1-33926-0750		RETAINER	1		
9	1-0456-63057		BALL BEARING	1		FRONT
10	1-33926-0730		RETAINER	1		
11	1-33923-0920		COLLAR	1		
12	0-33902-0080		NUT	6		
13	0-33902-0090		NUT	2		
14	1-33943-0980		INSULATE BUSH	1		
15	0-33943-1050		INSULATE BUSH	1		
16	0-33710-3300		REAR BRACKET CO	1		
19	0-0274-05102		BOLT	1		
20	0-33719-0032		REGULATOR ASSY	1		INCLUDING 21
21	0-33740-0455		BRUSH CO	2		
22	0-33730-2560		RECTIFIER ASSY	1		INCLUDING 20, 21
24	0-0275-06802		BOLT	3		
25	0-33200-1410		STATOR ASSY	1		
26	0-33311-0510		FRONT BRACKET	1		
27	1-33421-0590		FAN	1		
28	0-33411-2850		PULLEY	1		
29	0-0280-16022		NUT	1		
30	0-33700-2711		R.BACKET ASSY	1		INCLUDING 12-16, 20-22
※1	1-33951-0610		PACKING	2		



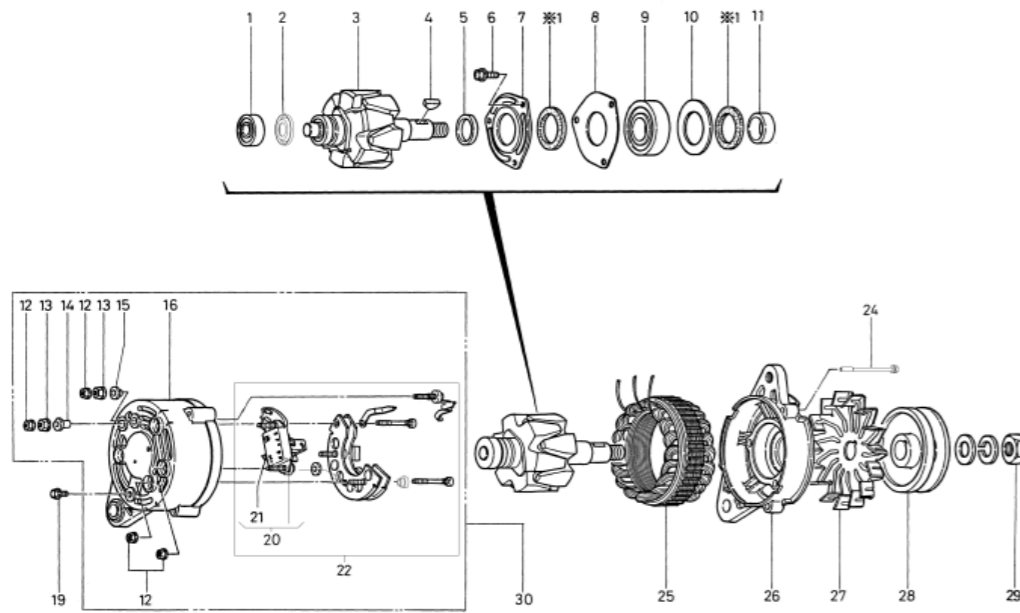
0-33000-5840

0-33000-5850 ALTERNATOR

OEM CUSTOMER	KOMATSU	OEM PARTS NUMBER	600-821-6110
NOMINAL OUT PUT	24V 25A	SUPPLY TERM	88.11~
WEIGHT	6.5kg	REGULATOR	BUILT-IN
ENGINE MODEL	S6D125, OTHERS		
VEHICLE	WA40, OTHERS		
DESIGN RECORD			
NOTE	V BELT SINGLE PEAK CLOCKWISE ROTATION THE PULLEY IS DIFFERENT FROM 0-33000-5850, 5860, 5870, 5880 AND 6511		

0-33000-5850 ALTERNATOR (MAKER PART NO 600-821-6110)

No	Parts Number	Maker Parts No	Description	Qty	List Price	Note
1	1-09201-0530		BALL BEARING	1		REAR
2	1-33926-0820		RETAINER	1		
3	0-33100-1450		ROTOR ASSY	1		
4	1-0416-04160		WOODRUFF KEY	1		
5	0-33923-0980		COLLAR	1		
6	1-0055-06162		SCREW	3		
7	0-35926-0060		RETAINER	1		
8	1-33926-0750		RETAINER	1		
9	1-0456-63057		BALL BEARING	1		FRONT
10	1-33926-0730		RETAINER	1		
11	1-33923-0920		COLLAR	1		
12	0-33902-0080		NUT	6		
13	0-33902-0090		NUT	2		
14	1-33943-0980		INSULATE BUSH	1		
15	0-33943-1050		INSULATE BUSH	1		
16	0-33710-3300		REAR BRACKET CO	1		
19	0-0274-05102		BOLT	1		
20	0-33719-0032		REGULATOR ASSY	1		INCLUDING 21
21	0-33740-0455		BRUSH CO	2		
22	0-33730-2560		RECTIFIER ASSY	1		INCLUDING 20, 21
24	0-0275-06802		BOLT	3		
25	0-33200-1410		STATOR ASSY	1		
26	0-33311-0510		FRONT BRACKET	1		
27	1-33421-0590		FAN	1		
28	0-33411-2870		PULLEY	1		
29	0-0280-16022		NUT	1		
30	0-33700-2711		R.BACKET ASSY	1		INCLUDING 12-16, 20-22
※1	1-33951-0610		PACKING	2		



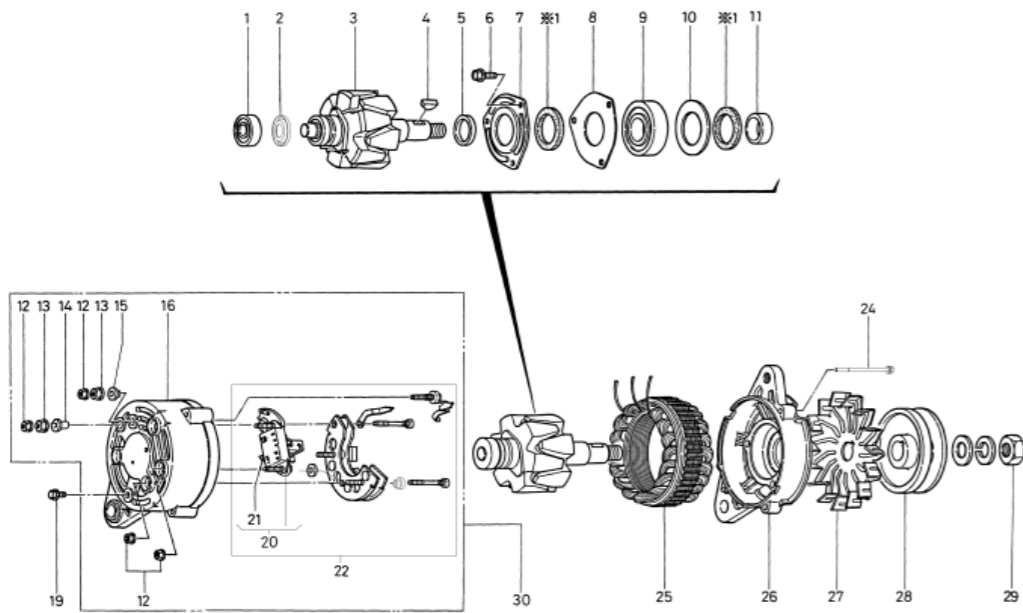
0-33000-5850

0-33000-5860 ALTERNATOR

OEM CUSTOMER	KOMATSU	OEM PARTS NUMBER	600-821-6120
NOMINAL OUT PUT	24V 25A	SUPPLY TERM	85.05~
WEIGHT	6.5kg	REGULATOR	BUILT-IN
ENGINE MODEL	6D105, OTHERS		
VEHICLE	PC200-3, PC220-3, OTHERS		
DESIGN RECORD			
NOTE	#17 TYPE V BELT SINGLE PEAK CLOCKWISE ROTATION THE PULLEY IS DIFFERENT FROM 0-33000-5840, 5850, 5870, 5880 AND 6511		

0-33000-5860 ALTERNATOR (MAKER PART NO 600-821-6120)

No	Parts Number	Maker Parts No	Description	Qty	List Price	Note
1	1-09201-0530		BALL BEARING	1		REAR
2	1-33926-0820		RETAINER	1		
3	0-33100-1450		ROTOR ASSY	1		
4	1-0416-04160		WOODRUFF KEY	1		
5	0-33923-0980		COLLAR	1		
6	1-0055-06162		SCREW	3		
7	0-35926-0060		RETAINER	1		
8	1-33926-0750		RETAINER	1		
9	1-0456-63057		BALL BEARING	1		FRONT
10	1-33926-0730		RETAINER	1		
11	1-33923-0920		COLLAR	1		
12	0-33902-0080		NUT	6		
13	0-33902-0090		NUT	2		
14	1-33943-0980		INSULATE BUSH	1		
15	0-33943-1050		INSULATE BUSH	1		
16	0-33710-3300		REAR BRACKET CO	1		
19	0-0274-05102		BOLT	1		
20	0-33719-0032		REGULATOR ASSY	1		INCLUDING 21
21	0-33740-0455		BRUSH CO	2		
22	0-33730-2560		RECTIFIER ASSY	1		INCLUDING 20, 21
24	0-0275-06802		BOLT	3		
25	0-33200-1410		STATOR ASSY	1		
26	0-33311-0510		FRONT BRACKET	1		
27	1-33421-0590		FAN	1		
28	0-35411-0031		PULLEY	1		
29	0-0280-16022		NUT	1		
30	0-33700-2711		R.BACKET ASSY	1		INCLUDING 12-16, 20-22
※1	1-33951-0610		PACKING	2		



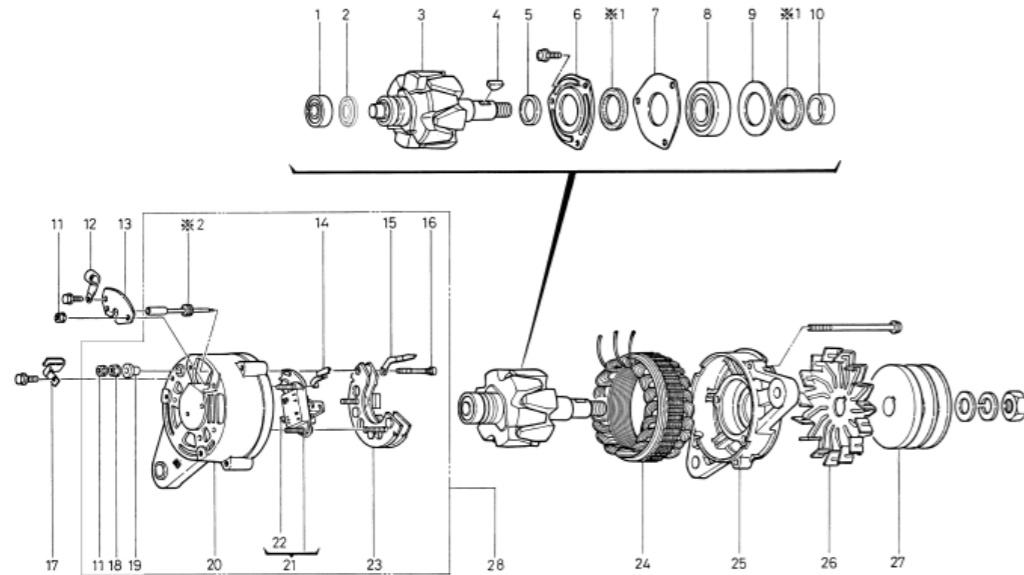
0-33000-5860

0-33000-6000 ALTERNATOR

OEM CUSTOMER	ISUZU	OEM PARTS NUMBER	1-81200365-0
NOMINAL OUT PUT	24V 25A	SUPPLY TERM	85.07~
WEIGHT	6.5kg	REGULATOR	BUILT-IN
ENGINE MODEL	6BD, OTHERS		
VEHICLE	INDUSTRY (XE), OTHERS		
DESIGN RECORD			
NOTE	V 15 TYPE V BELT DOUBLE PEAKS CLOCKWISE ROTATION INTEGRATED TYPE OF 0-33000-2321, 2770, 3700, 3750, 3760 AND 5090		

0-33000-6000 ALTERNATOR (MAKER PART NO 1-81200365-0)

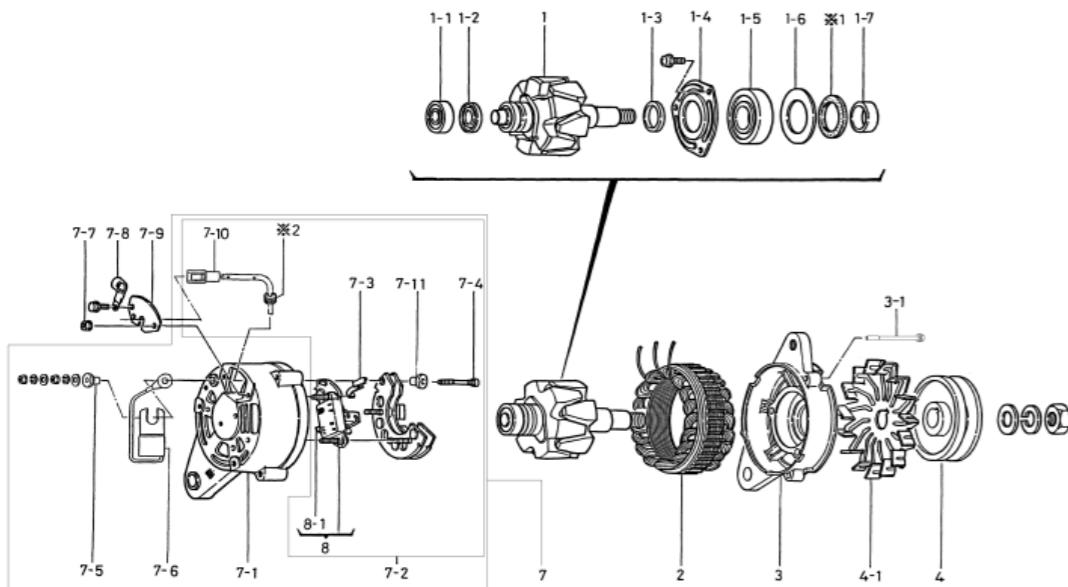
No	Parts Number	Maker Parts No	Description	Qty	List Price	Note
1	1-09201-0530	8-94173054-0	BALL BEARING	1		REAR
2	1-33926-0820	8-94173060-0	RETAINER	1		
3	0-33100-1450	1-81221072-0	ROTOR ASSY	1		
4	1-0416-04160	9-82215994-0	WOODRUFF KEY	1		
5	0-33923-0980	1-81229543-0	COLLAR	1		
6	0-35926-0060	1-81229513-0	RETAINER	1		
7	1-33926-0750	1-81229376-0	RETAINER	1		
8	1-0456-63057	1-81229225-0	BALL BEARING	1		FRONT
9	1-33926-0730	1-81229526-0	RETAINER	1		
10	1-33923-0920	1-81229527-0	COLLAR	1		
11	0-33902-0080	8-98040690-0	NUT	5		4 PCS CONTAINED IN 28
12	1-33931-0021	1-81229122-0	CLIP	1		
13	0-33761-1200	1-81229544-0	COVER	1		
14	0-33784-0260	1-81229546-0	CONNECT BAR	1		
15	0-33784-0230	1-81229558-0	CONNECT BAR	1		
16	0-33901-0790	8-94382282-0	BOLT	1		
17	0-35931-0020	1-81229516-0	CLIP	1		
18	0-33902-0090	8-98040687-0	NUT	1		
19	1-33943-0980	8-94173061-0	INSULATE BUSH	1		
20	0-33710-3360	1-81214242-0	REAR BRACKET CO	1		
21	0-33719-0030	1-81270007-0	REGULATOR ASSY	1		INCLUDING 22
22	0-33740-0455	8-98208228-0	BRUSH CO	2		
23	0-33730-2271	1-81217069-0	RECTIFIER ASSY	1		
24	0-33200-1410	1-81211090-0	STATOR ASSY	1		
25	0-33311-0490	1-81213067-0	FRONT BRACKET	1		
26	1-33421-0590	1-81223009-0	FAN	1		
27	1-35411-0100	1-81222055-0	PULLEY	1		
28	0-33700-2750	1-81214229-0	R.BRACKET ASSY	1		INC 4 PCS OF 11, 14-16, 18-23, ※2
※1	1-33951-0610	1-81229383-0	PACKING	2		
※2	1-0540-06001	1-81229520-0	GUM BUSH	1		



0-33000-6000

0-33000-6351 ALTERNATOR

OEM CUSTOMER	ISUZU	OEM PARTS NUMBER	8-94316401-1
NOMINAL OUT PUT	24V 25A	SUPPLY TERM	88.01~
WEIGHT	5.2kg	REGULATOR	BUILT-IN
ENGINE MODEL	4JB1MTC		
VEHICLE	MARINE		
DESIGN RECORD	6350 → 6351 CONDENSER ADDED		
NOTE	V 15 TYPE V BELT SINGLE PEAK FLOATED EARTH FOR INSULATION (MARINE TYPE) CLOCKWISE ROTATION		



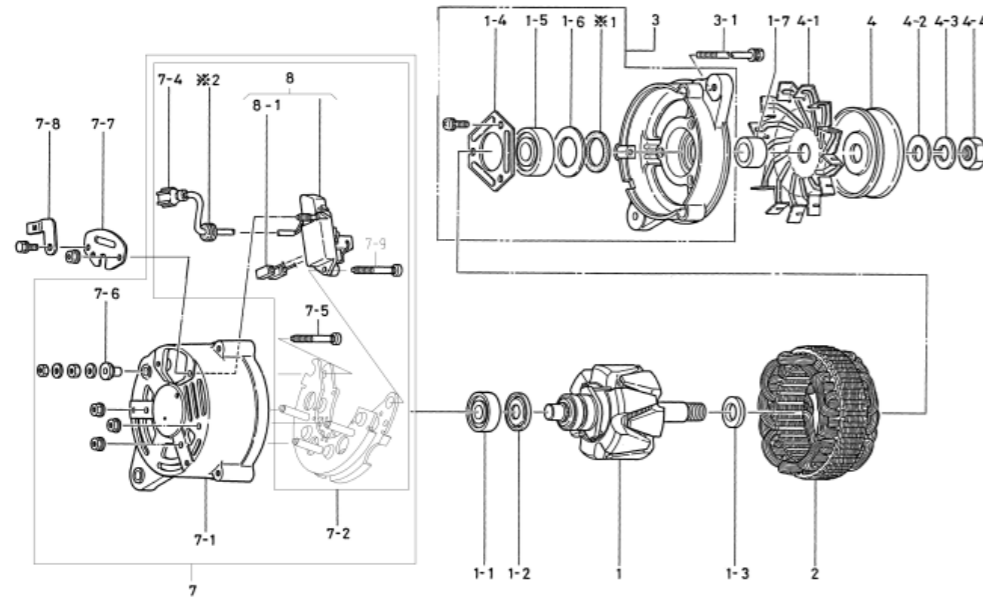
0-33000-6351

0-33000-6351 ALTERNATOR (MAKER PART NO 8-94316401-1)

No	Parts Number	Maker Parts No	Description	Qty	List Price	Note
1	0-33100-1420	8-97029054-0	ROTOR ASSY	1		
1-1	1-09201-0530	8-94173054-0	BALL BEARING	1		REAR
1-2	1-33926-0820	8-94173060-0	RETAINER	1		
1-3	1-33923-0850	8-94173055-0	COLLAR	1		
1-4	0-33926-0940	8-94338865-0	RETAINER	1		
1-5	1-0456-63037	1-81229279-0	BALL BEARING	1		FRONT
1-6	1-33926-0810	8-94173059-0	RETAINER	1		
1-7	1-33923-0860	8-94173056-0	COLLAR	1		
2	0-33200-1410	1-81211090-0	STATOR ASSY	1		
3	0-33311-0551	8-94340106-0	FRONT BRACKET	1		
3-1	0-0275-06802	1-81229382-0	BOLT	3		THROUGH BOLT
4	7-33400-0040		PULLEY ASSY	1		
4-1	0-33421-0640	8-94340109-0	FAN	1		
7	0-33700-2960	8-94340110-0	R.BRACKET ASSY	1		INC 7-1~7-6, 2PCS.7-7, 7-10~8-1※2
7-1	0-33710-3590	8-94340111-0	REAR BRACKET CO	1		
7-2	0-33730-2570		RECTIFIER ASSY	1		INC 7-3, 7-4, 7-10~,8-1, ※2
7-3	0-33784-0310	8-94340114-0	CONNECT BAR	1		
7-4	0-33901-0850		BOLT	1		
7-5	0-33943-1090	8-94338866-0	INSULATE BUSH	3		
7-6	1-35340-0030		CONDENSER ASSY	1		
7-7	0-33902-0080	8-98040690-0	NUT	3		7 CONTAINS 2 PCS.
7-8	1-33931-0021	1-81229122-0	CLIP	1		
7-9	0-33761-1250	8-94340118-0	COVER	1		
7-10	0-33780-0920	8-94340119-0	TERMINAL ASSY	1		
7-11	0-33943-1100	8-94340116-0	INSULATE BUSH	3		INCLUDING 8-1
8	0-33719-0100	8-94340112-0	REGULATOR ASSY	1		
8-1	1-33740-0455	8-98208228-0	BRUSH CO	2		
※1	1-33951-0660	8-94339042-0	PACKING	1		
※2	1-0540-06001	1-81229520-0	GUM BUSH	1		

0-33000-6542 ALTERNATOR

OEM CUSTOMER	ISUZU	OEM PARTS NUMBER	8-97022211-2
NOMINAL OUT PUT	24V 30A	SUPPLY TERM	90.08~
WEIGHT	5.2kg	REGULATOR	BUILT-IN
ENGINE MODEL	4BD1T		
VEHICLE	INDUSTRY		
DESIGN RECORD			
NOTE	V 15 TYPE V BELT SINGLE PEAK CLOCKWISE ROTATION INTEGRATED TYPE OF 0-33000-6541		



0-33000-6542

0-33000-6542 ALTERNATOR (MAKER PART NO 8-97022211-2)

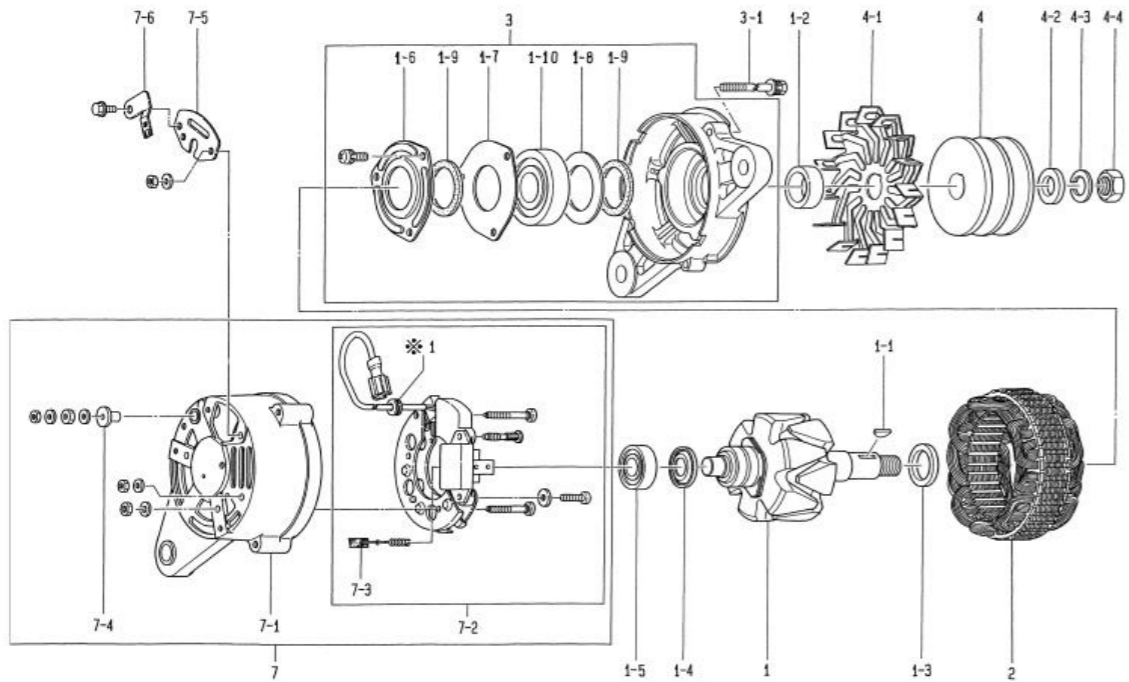
No	Parts Number	Maker Parts No	Description	Qty	List Price	Note
1	0-33100-1420	8-97029054-0	ROTOR ASSY	1		
1-1	1-09201-0530	8-94173054-0	BALL BEARING	1		REAR
1-2	1-33926-0820	8-94173060-0	RETAINER	1		
1-3	1-33923-0850	8-94173055-0	COLLAR	1		
1-4	0-33926-0940	8-94338865-0	RETAINER	1		
1-5	1-0456-63037	1-81229279-0	BALL BEARING	1		FRONT
1-6	1-33926-0810	8-94173059-0	RETAINER	1		
1-7	1-33923-0860	8-94173056-0	COLLAR	1		
2	0-33200-1480	8-97029055-0	STATOR ASSY	1		
3	0-33300-0511	8-94382277-1	F.BRACKET ASSY	1		INCLUDING 1-4~1-6, ※1
3-1	0-0275-06802	1-81229382-0	BOLT	3		THROUGH BOLT
4	7-33400-0010	8-94173051-0	PULLEY ASSY	1		
4-1	1-33421-0520	8-94173070-0	FAN	1		
4-2	1-33923-0870	8-94173057-0	COLLAR	1		
4-3	1-0335-16002	1-81229479-0	SPRING WASHER	1		
4-4	0-0290-16022	8-94173080-0	NUT	1		
7	0-33700-2992	8-97029056-1	R.BRACKET ASSY	1		INC 7-1~7-6, 7-9~8-1, ※2
7-1	0-33710-3621	8-94382279-1	REAR BRACKET CO	1		
7-2	0-33730-2601	8-97029057-0	RECTIFIER ASSY	1		INC 7-4, 7-5, 7-9~8-1, ※2
7-4	0-33780-0980	1-82699416-0	TERMINAL ASSY	1		
7-5	0-33901-0790	8-94382282-0	BOLT	1		
7-6	1-33943-0980	8-94173061-0	INSULATE BUSH	1		
7-7	0-33761-1200	1-81229544-0	COVER	1		
7-8	0-33927-0650	8-97029059-0	HOLDER	1		
7-9	0-33901-0830	8-97085454-0	BOLT	1		
8	0-33719-0090	1-81270015-0	REGULATOR ASSY	1		INCLUDING 8-1
8-1	1-33740-0455	8-98208228-0	BRUSH CO	2		
※1	1-33951-0660	8-94339042-0	PACKING	1		
※2	1-0540-06001	1-81229520-0	GUM BUSH	1		

0-33000-6552 ALTERNATOR

OEM CUSTOMER	ISUZU	OEM PARTS NUMBER	1-81200440-2
NOMINAL OUT PUT	24V 30A	SUPPLY TERM	91.04~
WEIGHT	6.5kg	REGULATOR	BUILT-IN
ENGINE MODEL	6BD1TPJ		
VEHICLE	INDUSTRY		
DESIGN RECORD	6550 → 6551	INTEGRATED TYPE	
	6551 → 6552	CONNECTOR MOUNTING DIRECTION CHANGED	
NOTE	#15 TYPE V BELT DOUBLE PEAKS CLOCKWISE ROTATION		

0-33000-6552 ALTERNATOR (MAKER PART NO 1-81200440-2)

No	Parts Number	Maker Parts No	Description	Qty	List Price	Note
1	0-33100-1450	1-81221072-0	ROTOR ASSY	1		
1-1	1-0416-04160	9-82215994-0	WOODRUFF KEY	1		
1-2	1-33923-0920	1-81229527-0	COLLAR	1		
1-3	0-33923-0980	1-81229543-0	COLLAR	1		
1-4	1-33926-0820	8-94173060-0	RETAINER	1		
1-5	1-09201-0530	8-94173054-0	BALL BEARING	1		REAR
1-6	0-35926-0060	1-81229513-0	RETAINER	1		
1-7	1-33926-0750	1-81229376-0	RETAINER	1		
1-8	1-33926-0730	1-81229526-0	RETAINER	1		
1-9	1-33951-0610	1-81229383-0	PACKING	2		
1-10	1-0456-63057	1-81229225-0	BALL BEARING	1		FRONT
2	0-33200-1480	8-97029055-0	STATOR ASSY	1		
3	0-33300-0580	1-81213085-0	F.BRACKET ASSY	1		INCLUDING 1-6~1-10
3-1	0-0275-06802	1-81229382-0	BOLT	3		THROUGH BOLT
4	1-35411-0100	1-81222055-0	PULLEY	1		
4-1	1-33421-0590	1-81223009-0	FAN	1		
4-2	1-0330-16012	1-81229478-0	PLAIN WASHER	1		
4-3	1-0335-16002	1-81229479-0	SPRING WASHER	1		
4-4	0-0280-16022	1-81229474-0	NUT	1		
7	0-33700-3050	1-81214322-0	R.BRACKET ASSY	1		INCLUDING 7-1~7-4, #1
7-1	0-33710-3360	1-81214242-0	REAR BRACKET CO	1		
7-2	0-33730-2601	8-97029057-0	RECTIFIER ASSY	1		INCLUDING REGULATOR, 7-3, ※1
7-3	1-33740-0455	8-98208228-0	BRUSH CO	2		
7-4	1-33943-0980	8-94173061-0	INSULATE BUSH	1		
7-5	0-33761-1200	1-81229544-0	COVER	1		
7-6	0-33927-0650	8-97029059-0	HOLDER	1		
※1	1-0540-06001	1-81229520-0	GUM BUSH	1		



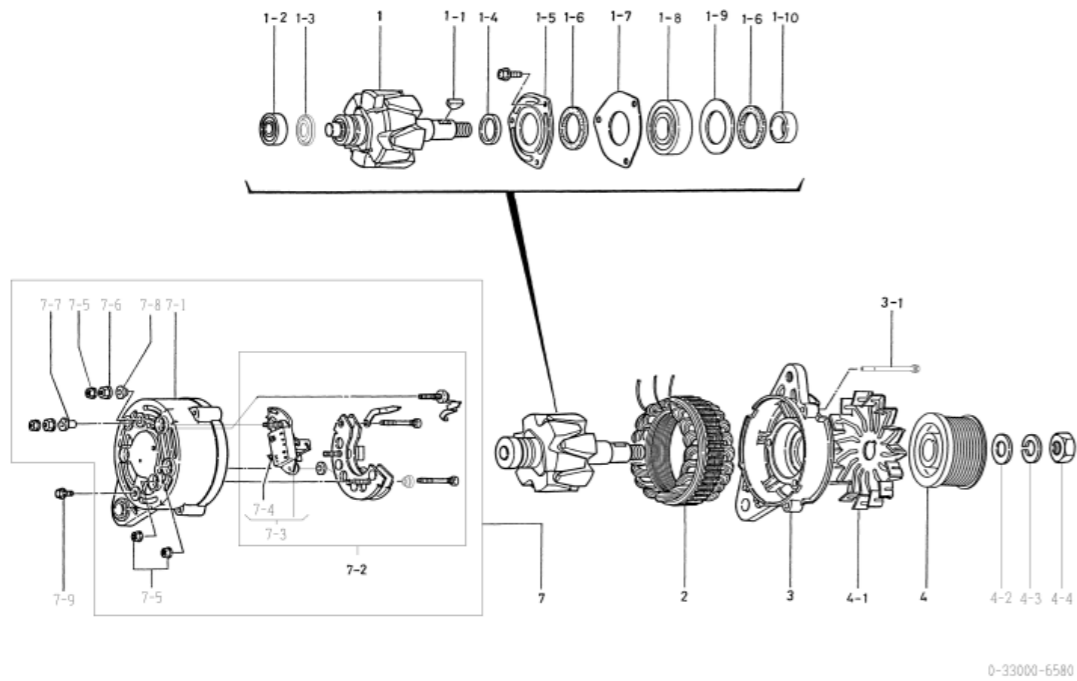
0-33000-6552

0-33000-6580 ALTERNATOR

OEM CUSTOMER	KOMATSU	OEM PARTS NUMBER	600-821-6190
NOMINAL OUT PUT	24V 30A	SUPPLY TERM	92.04~
WEIGHT	6.5 kg	REGULATOR	BUILT-IN
ENGINE MODEL	S6D95L, OTHERS		
VEHICLE	PC200-6, PC2206, OTHERS		
DESIGN RECORD			
NOTE	K TYPE V BELT 9 PEAKS CLOCKWISE ROTATION		

0-33000-6580 ALTERNATOR (MAKER PART NO 600-821-6190)

No	Parts Number	Maker Parts No	Description	Qty	List Price	Note
1	0-33100-1450		ROTOR ASSY	1		
1-1	1-0416-04160		WOODRUFF KEY	1		
1-2	1-09201-0530		BALL BEARING	1		REAR
1-3	1-33926-0820		RETAINER	1		
1-4	0-33923-0980		COLLAR	1		
1-5	0-35926-0060		RETAINER	1		
1-6	1-33951-0610		PACKING	2		
1-7	1-33926-0750		RETAINER	1		
1-8	1-0456-63057		BALL BEARING	1		FRONT
1-9	1-33926-0730		RETAINER	1		
1-10	1-33923-0920		COLLAR	1		
2	0-33200-1480		STATOR ASSY	1		
3	0-33311-0510		F. BRACKET	1		
3-1	0-0275-06802		BOLT	3		THROUGH BOLT
4	0-35411-0551		PULLEY	1		
4-1	1-33421-0590		FAN	1		
4-2	1-0330-16012		PLAIN WASHER	1		
4-3	1-0335-16002		SPRING WASHER	1		
4-4	0-0280-16022		NUT	1		
7	0-33700-2711		R. BRACKET ASSY	1		INCLUDING 7-1~7-8
7-1	0-33710-3300		REAR BRACKET CO	1		
7-2	0-33730-2560		RECTIFIER ASSY	1		INCLUDING 7-3, 7-4
7-3	0-33719-0032		REGULATOR ASSY	1		INCLUDING 7-4
7-4	1-33740-0455		BRUSH CO	2		
7-5	0-33902-0080		NUT	6		
7-6	0-33902-0090		NUT	2		
7-7	1-33943-0980		INSULATE BUSH	1		
7-8	0-33943-1050		INSULATE BUSH	1		
7-9	0-0274-05102		BOLT	1		

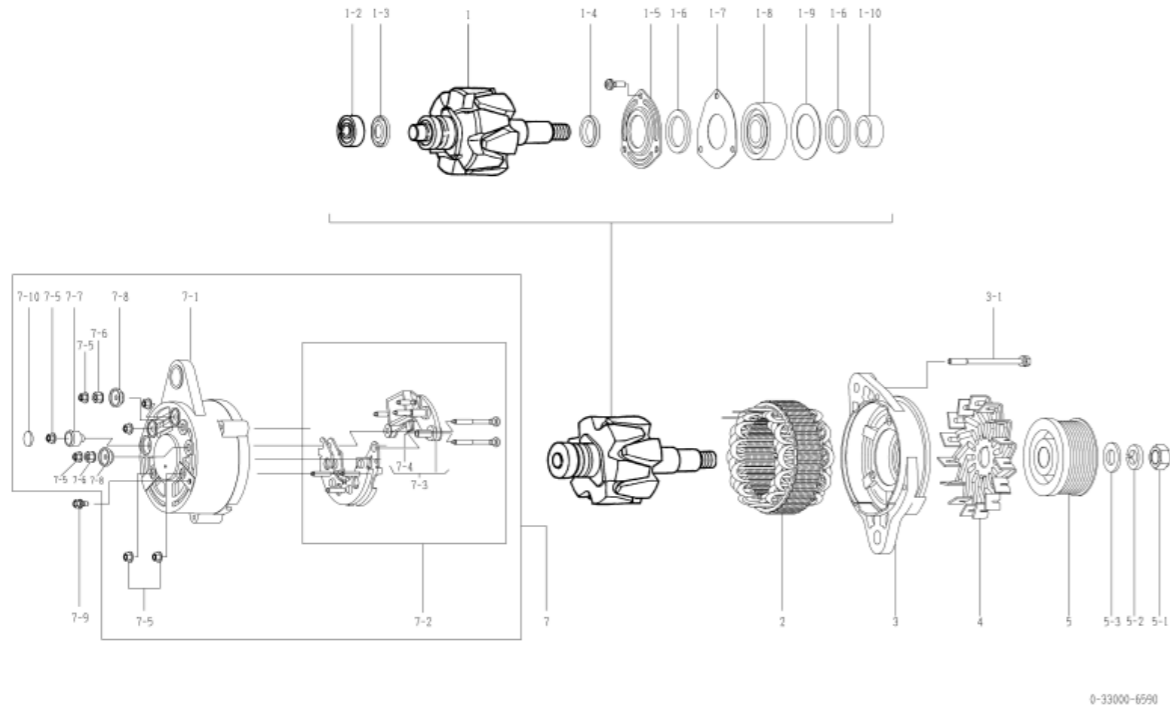


0-33000-6590 ALTERNATOR

OEM CUSTOMER	KOMATSU	OEM PARTS NUMBER	600-861-2110
NOMINAL OUT PUT	24V 25A	SUPPLY TERM	94.11~
WEIGHT	6.5 kg	REGULATOR	BUILT-IN
ENGINE MODEL	S4D102E, OTHERS		
VEHICLE	PC100E-6, PC120-6E, OTHERS		
DESIGN RECORD			
NOTE	K TYPE V BELT 8 PEAKS CLOCKWISE ROTATION		

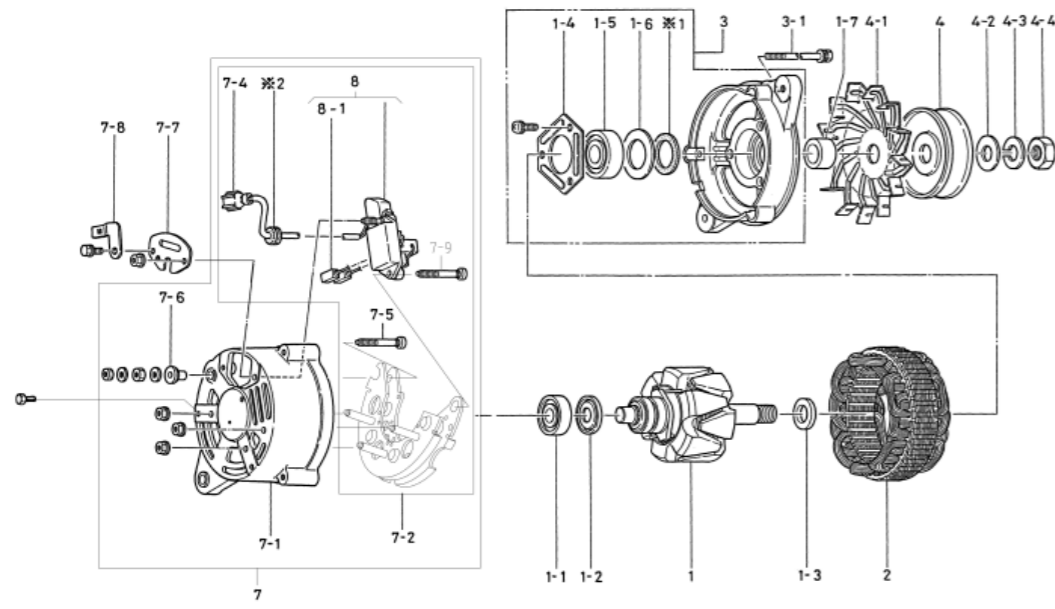
0-33000-6590 ALTERNATOR (MAKER PART NO 600-861-2110)

No	Parts Number	Maker Parts No	Description	Qty	List Price	Note
1	0-33100-1450		ROTOR ASSY	1		
1-2	1-09201-0530		BALL BEARING	1		REAR
1-3	1-33926-0820		RETAINER	1		
1-4	0-33923-0980		COLLAR	1		
1-5	0-35926-0060		RETAINER	1		
1-6	1-33951-0610		PACKING	2		
1-7	1-33926-0750		RETAINER	1		
1-8	1-0456-63057		BALL BEARING	1		FRONT
1-9	1-33926-0730		RETAINER	1		
1-10	1-33923-0920		COLLAR	1		
2	0-33200-1410		STATOR ASSY	1		
3	0-33311-0591		F. BRACKET	1		
3-1	0-0275-06802		BOLT	3		THROUGH BOLT
4	1-33421-0590		FAN	1		
5	0-33411-3161		PULLEY	1		
5-1	0-0280-16022		NUT	1		
5-2	1-0335-16002		SPRING WASHER	1		
5-3	1-0330-16012		PLAIN WASHER	1		
7	0-33700-3090		R. BRACKET ASSY	1		INCLUDING 7-1~7-8,7-10
7-1	0-33710-3740		REAR BRACKET CO	1		
7-2	0-33730-2720		RECTIFIER ASSY	1		INCLUDING 7-3, 7-4
7-3	0-33719-0151		REGULATOR ASSY	1		INCLUDING 7-4
7-4	1-33740-0455		BRUSH CO	2		
7-5	0-33902-0080		NUT	7		
7-6	0-33902-0090		NUT	2		
7-7	0-09103-0440		INSULATE BUSH	1		
7-8	0-33943-1090		INSULATE BUSH	2		
7-9	0-0274-05102		BOLT	1		
7-10	0-09252-0560		GUM BUSH	1		



0-33000-6630 ALTERNATOR

OEM CUSTOMER	ISUZU	OEM PARTS NUMBER	8-97204503-0
NOMINAL OUT PUT	24V 30A	SUPPLY TERM	98.02~
WEIGHT	5.2kg	REGULATOR	BUILT-IN
ENGINE MODEL	4BG1PY-01		
VEHICLE	INDUSTRY(XD)		
DESIGN RECORD			
NOTE	15 TYPE V BELT SINGLE PEAK CLOCKWISE ROTATION		



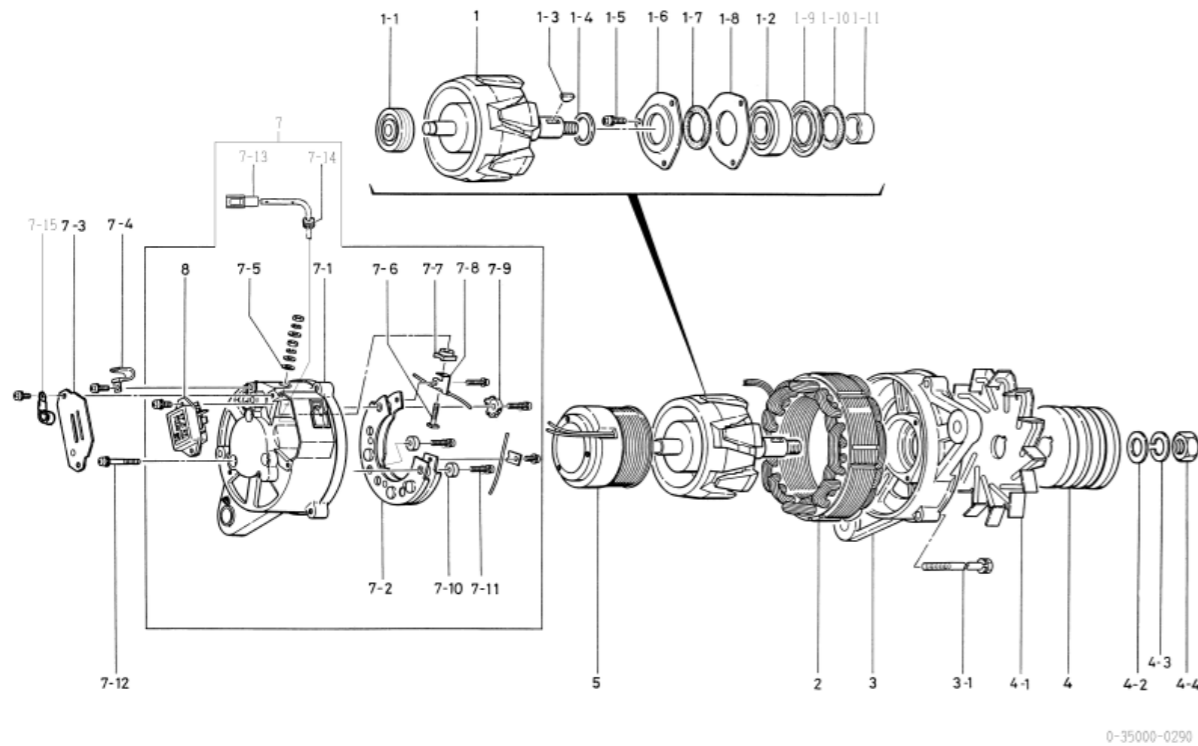
0-33000-6630

0-33000-6630 ALTERNATOR (MAKER PART NO 8-97204503-0)

No	Parts Number	Maker Parts No	Description	Qty	List Price	Note
1	0-33100-1420	8-97029054-0	ROTOR ASSY	1		
1-1	1-09201-0530	8-94173054-0	BALL BEARING	1		REAR
1-2	1-33926-0820	8-94173060-0	RETAINER	1		
1-3	1-33923-0850	8-94173055-0	COLLAR	1		
1-4	0-33926-0940	8-94338865-0	RETAINER	1		
1-5	1-0456-63037	1-81229279-0	BALL BEARING	1		FRONT
1-6	1-33926-0810	8-94173059-0	RETAINER	1		
1-7	1-33923-0860	8-94173056-0	COLLAR	1		
2	0-33200-1480	8-97029055-0	STATOR ASSY	1		
3	0-33300-0650	8-97205634-0	F.BRACKET ASSY	1		INCLUDING 1-4~1-6,※1
3-1	0-0275-06802	1-81229382-0	BOLT	3		THROUGH BOLT
4	7-33400-0010	8-94173051-0	PULLEY ASSY	1		
4-1	1-33421-0520	8-94173070-0	FAN	1		
4-2	1-33923-0870	8-94173057-0	COLLAR	1		
4-3	1-0335-16002	1-81229479-0	SPRING WASHER	1		
4-4	0-0290-16022	8-94173080-0	NUT	1		
7	0-33700-2992	8-97029056-1	R.BRACKET ASSY	1		INC 7-1~7-6,7-9~8-1,※2
7-1	0-33710-3621	8-94382279-1	REAR BRACKET CO	1		
7-2	0-33730-2601	8-97029057-0	RECTIFIER ASSY	1		INC 7-4,7-5,7-9~8-1,※2
7-4	0-33780-0980	1-82699416-0	TERMINAL ASSY	1		
7-5	0-33901-0790	8-94382282-0	BOLT	1		
7-6	1-33943-0980	8-94173061-0	INSULATE BUSH	1		
7-7	0-33761-1200	1-81229544-0	COVER	1		
7-8	0-33927-0650	8-97029059-0	HOLDER	1		
7-9	0-33901-0830	8-97085454-0	BOLT	1		
8	0-33719-0090	1-81270015-0	REGULATOR ASSY	1		INCLUDING 8-1
8-1	1-33740-0455	8-98208228-0	BRUSH CO	2		
※1	1-33951-0660	8-94339042-0	PACKING	1		
※2	1-0540-06001	1-81229520-0	GUM BUSH	1		

0-35000-0290 ALTERNATOR

OEM CUSTOMER	ISUZU	OEM PARTS NUMBER	1-81200394-0
NOMINAL OUT PUT	24V 30A	SUPPLY TERM	86.11~
WEIGHT	8kg	REGULATOR	BUILT-IN
ENGINE MODEL	6SA1TPA-02		
VEHICLE	INDUSTRY		
DESIGN RECORD			
NOTE	B TYPE V BELT 3 PEAKS CLOCKWISE ROTATION		



0-35000-0290 ALTERNATOR (MAKER PART NO 1-81200394-0)

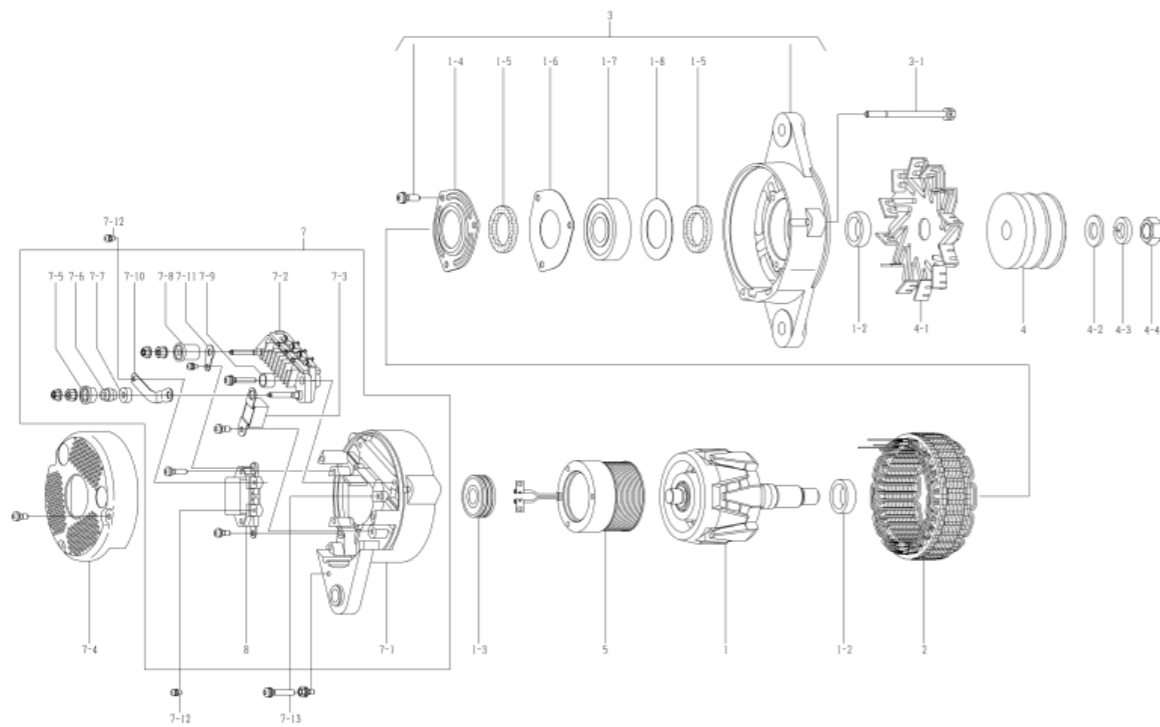
No	Parts Number	Maker Parts No	Description	Qty	List Price	Note
1	0-35100-0080	1-81221067-0	ROTOR ASSY	1		
1-1	0-09201-0590	1-81229515-0	BALL BEARING	1		REAR
1-2	1-0453-63057	1-81229514-0	BALL BEARING	1		FRONT
1-3	1-0416-04160	9-82215867-0	WOODRUFF KEY	1		
1-4	1-33923-0780	1-81229373-0	COLLAR	1		
1-5	1-0055-06162	1-81229469-0	SCREW	3		
1-6	0-35926-0060	1-81229513-0	RETAINER	1		
1-7	1-33951-0610	1-81229383-0	PACKING	1		
1-8	1-33926-0750	1-81229376-0	RETAINER	1		
1-9	1-33926-0760	1-81229377-0	RETAINER	1		
1-10	1-09251-0440	1-81229384-0	PACKING	1		
1-11	1-33923-0810	1-81229374-0	COLLAR	1		
2	0-35200-0030	1-81211061-0	STATOR ASSY	1		
3	1-35311-0022		FRONT BRACKET	1		
3-1	0-0275-06802	1-81229382-0	BOLT	3		THROUGH BOLT
4	0-35411-0240	1-81222059-0	PULLEY	1		
4-1	1-35421-0030	1-81223004-0	FAN	1		
4-2	1-0330-16012	1-81229478-0	PLAIN WASHER	1		
4-3	1-0335-16002	1-81229479-0	SPRING WASHER	1		
4-4	0-0280-16022	1-81229474-0	NUT	1		
5	0-35120-0040	1-81212004-0	FIELD COIL CO	1		
7	0-35700-0280	1-81214258-0	R.BRACKET ASSY	1		INC 7-1,7-2,7-5~7-11,7-13,7-14,8
7-1	0-35710-0090	1-81214180-0	REAR BRACKET CO	1		
7-2	0-35730-0080	1-81219060-0	RECTIFIER ASSY	1		
7-3	0-35761-0070	1-81214202-0	COVER	1		
7-4	1-35931-0010	1-81229394-0	CLIP	1		
7-5	1-47941-0180	1-81229227-0	INSULATE WASHER	1		
7-6	0-33901-0640	5-81229192-0	BOLT	1		
7-7	1-33943-0870	1-81229237-0	INSULATE BUSH	1		
7-8	1-35784-0040	1-81229392-0	CONNECT BAR	1		LEAD WIRE NOT INCLUDED
7-9	1-35780-0030	1-81229378-0	TREMINAL ASSY	1		
7-10	1-09102-0010	9-82115344-0	INSULATE PLATE	2		
7-11	0-0056-05252	1-81229476-0	SCREW	3		
7-12	0-0056-05452	1-81229477-0	SCREW	3		
7-13	0-35780-0140	1-81229582-0	TERMINAL ASSY	1		
7-14	1-0540-06001	1-81229520-0	GUM BUSH	1		
7-15	1-33931-0021	1-81229122-0	CLIP	1		
8	7-44000-0901	1-81260004-0	REGULATOR	1		

0-35000-0392 ALTERNATOR

OEM CUSTOMER	KOMATSU	OEM PARTS NUMBER	600-825-3151
NOMINAL OUTPUT	24V 35A	SUPPLY TERM	98.02~
WEIGHT	8kg	REGULATOR	BUILT-IN
ENGINE MODEL	S6D125E-2, OTHER		
DESIGN RECORD	D60P-12, D65EX-12, OTHER		
DESIGN RECORD	0391 → 0392 CONNECT BAR, FIELD COIL, CONDENSER CHANGED		
NOTE	#22 TYPE V-BELT DOUBLE PEAKS CLOCKWISE ROTATION INTEGRATED TYPE OF 0-35000-0190 AND -3070		

0-35000-0392 ALTERNATOR (MAKER PART NO 600-825-3151)

No	Parts Number	Maker Parts No	Description	Qty	List Price	Note
1	0-35100-0280		ROTOR ASSY	1		
1-2	1-33923-0790		COLLAR	2		
1-3	0-09201-0870		BALL BEARING	1		REAR
1-4	0-35926-0070		RETAINER	1		
1-5	0-35951-0060		PACKING	2		
1-6	0-35926-0090		RETAINER	1		
1-7	0-09201-0881		BALL BEARING	1		FRONT
1-8	1-33926-0730		RETAINER	1		
2	0-35200-0401		STATOR ASSY	1		
3	0-35300-0130		F.BRACKET ASSY	1		INCLUDING 1-4~1-8
3-1	0-0275-06802		BOLT	3		THROUGH BOLT
4	0-35411-0560		PULLEY	1		
4-1	0-35421-0140		FAN	1		
4-2	1-0330-16012		PLAIN WASHER	1		
4-3	1-0335-16002		SPRING WASHER	1		
4-4	0-0280-16022		NUT	1		
5	0-35120-0450		FIELD COIL CO	1		
7	0-35700-0663		R.BRACKET ASSY	1		INC. 7-1~7-3, 7-5~7-11, 8
7-1	0-35710-0751		REAR BRACKET CO	1		
7-2	0-35730-0510		RECTIFIER ASSY	1		
7-3	0-09170-2501		CONDENSER	1		
7-4	0-35761-0181		COVER	1		
7-5	0-35943-0150		INSULATE BUSH	1		
7-6	0-35923-0130		COLLAR	1		
7-7	0-35943-0160		INSULATE BUSH	1		
7-8	0-35943-0140		INSULATE BUSH	1		
7-9	0-35943-0170		INSULATE BUSH	2		
7-10	0-35784-0280		CONNECT BAR	1		
7-11	0-35784-0270		CONNECT BAR	1		
7-12	0-09011-3540		SCREW	2		
7-13	0-0056-05302		SCREW	3		
8	0-35719-0280		REGULATOR ASSY	1		



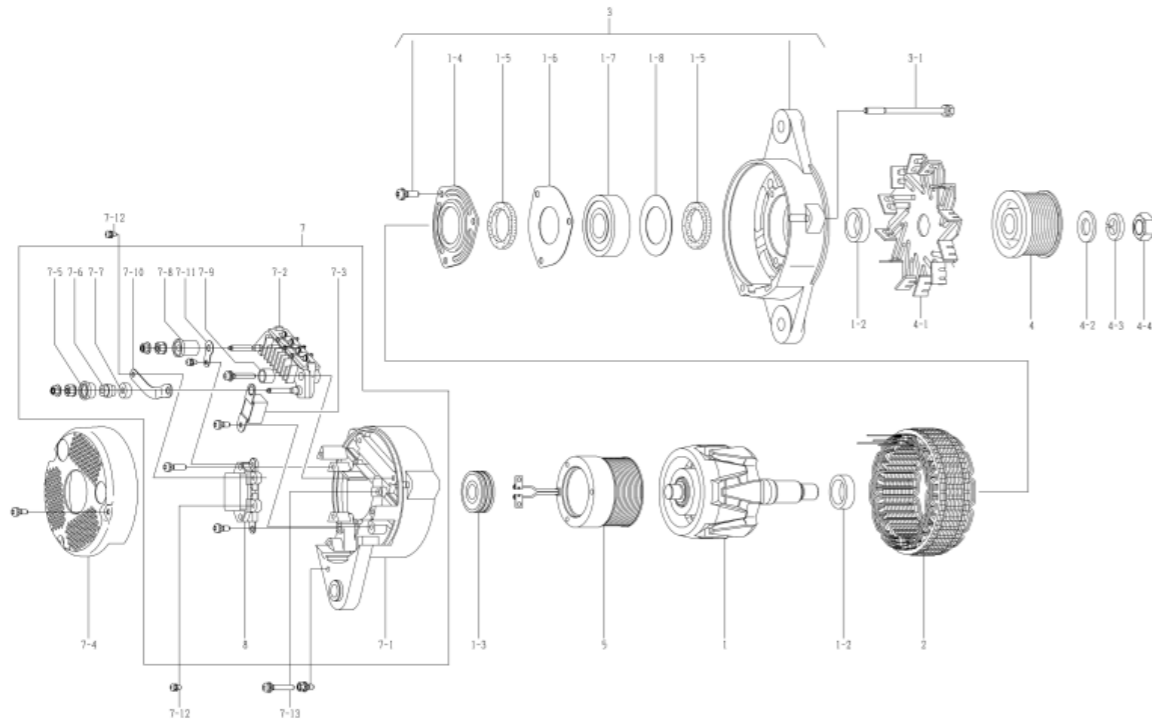
0-35000-0392

0-35000-0402 ALTERNATOR

OEM CUSTOMER	KOMATSU	OEM PARTS NUMBER	600-825-3161
NOMINAL OUT PUT	24V 35A	SUPPLY TERM	98.02~
WEIGHT	8kg	REGULATOR	BUILT-IN
ENGINE MODEL	SAA6D108E2, OTHERS		
DESIGN RECORD	PC300-6, OTHERS		
DESIGN RECORD	0401 → 0402 CONNECT BAR, FIELD COIL, CONDENSER CHANGED		
NOTE	K TYPE V BELT 9 PEAKS CLOCKWISE ROTATION PULLEY IS DIFFERENT FROM 0-35000-0392		

0-35000-0402 ALTERNATOR (MAKER PART NO 600-825-3161)

No	Parts Number	Maker Parts No	Description	Qty	List Price	Note
1	0-35100-0280		ROTOR ASSY	1		
1-2	1-33923-0790		COLLAR	2		
1-3	0-09201-0870		BALL BEARING	1		REAR
1-4	0-35926-0070		RETAINER	1		
1-5	0-35951-0060		PACKING	2		
1-6	0-35926-0090		RETAINER	1		
1-7	0-09201-0881		BALL BEARING	1		FRONT
1-8	1-33926-0730		RETAINER	1		
2	0-35200-0401		STATOR ASSY	1		
3	0-35300-0130		F.BRACKET ASSY	1		INCLUDING 1-4~1-8
3-1	0-0275-06802		BOLT	3		THROUGH BOLT
4	0-35411-0571		PULLEY	1		
4-1	0-35421-0140		FAN	1		
4-2	1-0330-16012		PLAIN WASHER	1		
4-3	1-0335-16002		SPRING WASHER	1		
4-4	0-0280-16022		NUT	1		
5	0-35120-0450		FIELD COIL CO	1		
7	0-35700-0663		R.BRACKET ASSY	1		INC 7-1~7-3,7-5~7-11,8
7-1	0-35710-0751		REAR BRACKET CO	1		
7-2	0-35730-0510		RECTIFIER ASSY	1		
7-3	0-09170-2501		CONDENSER	1		
7-4	0-35761-0181		COVER	1		
7-5	0-35943-0150		INSULATE BUSH	1		
7-6	0-35923-0130		COLLAR	1		
7-7	0-35943-0160		INSULATE BUSH	1		
7-8	0-35943-0140		INSULATE BUSH	1		
7-9	0-35943-0170		INSULATE BUSH	2		
7-10	0-35784-0280		CONNECT BAR	1		
7-11	0-35784-0270		CONNECT BAR	1		
7-12	0-09011-3540		SCREW	2		
7-13	0-0056-05302		SCREW	3		
8	0-35719-0280		REGULATOR ASSY	1		



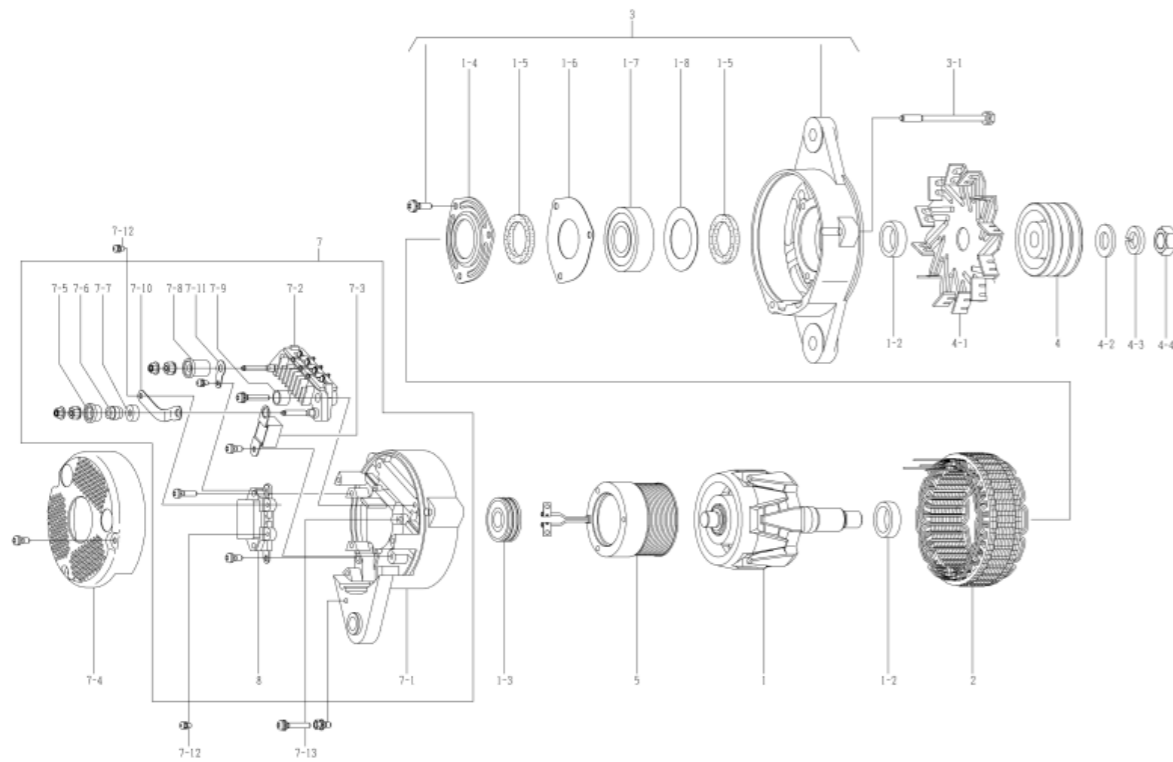
0-35000-0402

0-35000-0412 ALTERNATOR

OEM CUSTOMER	KOMATSU	OEM PARTS NUMBER	600-825-3111
NOMINAL OUT PUT	24V 35A	SUPPLY TERM	98.02~
WEIGHT	8kg	REGULATOR	BUILT-IN
ENGINE MODEL	SA6D140E-2A, B, OTHERS		
DESIGN RECORD	D155AX-3, OTHERS		
DESIGN RECORD	0411 → 0412 CONNECT BAR, FIELD COIL, CONDENSER CHANGED		
NOTE	# 10 TYPE V BELT DOUBLE PEAKS COUNTERCLOCKWISE ROTATION PULLEY AND FAN ARE DIFFERENT FROM 0-35000-0392		

0-35000-0412 ALTERNATOR (MAKER PART NO 600-825-3111)

No	Parts Number	Maker Parts No	Description	Qty	List Price	Note
1	0-35100-0280		ROTOR ASSY	1		
1-2	1-33923-0790		COLLAR	2		
1-3	0-09201-0870		BALL BEARING	1		REAR
1-4	0-35926-0070		RETAINER	1		
1-5	0-35951-0060		PACKING	2		
1-6	0-35926-0090		RETAINER	1		
1-7	0-09201-0881		BALL BEARING	1		FRONT
1-8	1-33926-0730		RETAINER	1		
2	0-35200-0401		STATOR ASSY	1		
3	0-35300-0130		F.BRACKET ASSY	1		INCLUDING 1-4~1-8
3-1	0-0275-06802		BOLT	3		THROUGH BOLT
4	0-35411-0631		PULLEY	1		
4-1	0-35421-0160		FAN	1		
4-2	1-0330-16012		PLAIN WASHER	1		
4-3	1-0335-16002		SPRING WASHER	1		
4-4	0-0280-16022		NUT	1		
5	0-35120-0450		FIELD COIL CO	1		
7	0-35700-0663		R.BRACKET ASSY	1		INC 7-1~7-3,7-5~7-11,8
7-1	0-35710-0751		REAR BRACKET CO	1		
7-2	0-35730-0510		RECTIFIER ASSY	1		
7-3	0-09170-2501		CONDENSER	1		
7-4	0-35761-0181		COVER	1		
7-5	0-35943-0150		INSULATE BUSH	1		
7-6	0-35923-0130		COLLAR	1		
7-7	0-35943-0160		INSULATE BUSH	1		
7-8	0-35943-0140		INSULATE BUSH	1		
7-9	0-35943-0170		INSULATE BUSH	2		
7-10	0-35784-0280		CONNECT BAR	1		
7-11	0-35784-0270		CONNECT BAR	1		
7-12	0-09011-3540		SCREW	2		
7-13	0-0056-05302		SCREW	3		
8	0-35719-0280		REGULATOR ASSY	1		

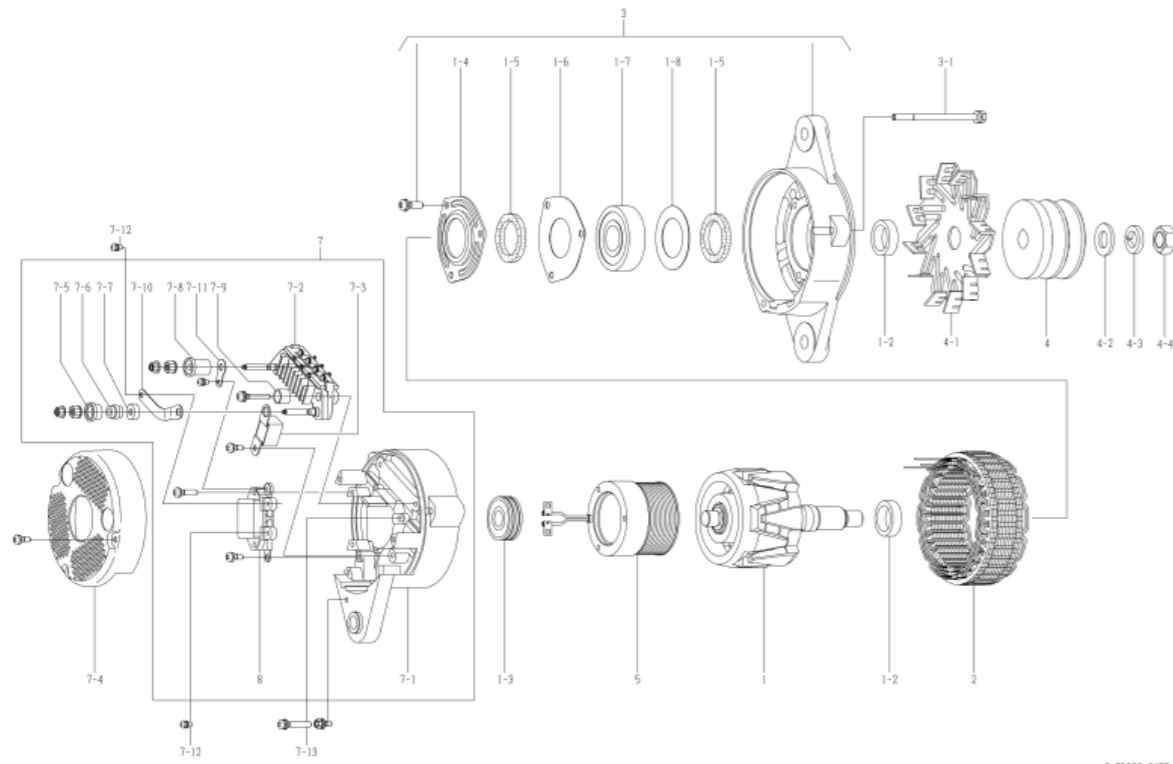


0-35000-0422 ALTERNATOR

OEM CUSTOMER	KOMATSU	OEM PARTS NUMBER	600-825-3121
NOMINAL OUT PUT	24V 35A	SUPPLY TERM	98.02~
WEIGHT	8kg	REGULATOR	BUILT-IN
ENGINE MODEL	S4D95L, OTHERS		
VEHICLE	PW130-KU, OTHERS		
DESIGN RECORD	0421 → 0422 CONNECT BAR, FIELD COIL, CONDENSER CHANGED		
NOTE	#17 TYPE V BELT DOUBLE PEAKS CLOCKWISE ROTATION PULLEY IS DIFFERENT FROM 0-35000-0392		

0-35000-0422 ALTERNATOR (MAKER PART NO 600-825-3121)

No	Parts Number	Maker Parts No	Description	Qty	List Price	Note
1	0-35100-0280		ROTOR ASSY	1		
1-2	1-33923-0790		COLLAR	2		
1-3	0-09201-0870		BALL BEARING	1		REAR
1-4	0-35926-0070		RETAINER	1		
1-5	0-35951-0060		PACKING	2		
1-6	0-35926-0090		RETAINER	1		
1-7	0-09201-0881		BALL BEARING	1		FRONT
1-8	1-33926-0730		RETAINER	1		
2	0-35200-0401		STATOR ASSY	1		
3	0-35300-0130		F.BRACKET ASSY	1		INCLUDING 1-4~1-8
3-1	0-0275-06802		BOLT	3		THROUGH BOLT
4	0-35411-0590		PULLEY	1		
4-1	0-35421-0140		FAN	1		
4-2	1-0330-16012		PLAIN WASHER	1		
4-3	1-0335-16002		SPRING WASHER	1		
4-4	0-0280-16022		NUT	1		
5	0-35120-0450		FIELD COIL CO	1		
7	0-35700-0663		R.BRACKET ASSY	1		INC 7-1~7-3,7-5~7-11,8
7-1	0-35710-0751		REAR BRACKET CO	1		
7-2	0-35730-0510		RECTIFIER ASSY	1		
7-3	0-09170-2501		CONDENSER	1		
7-4	0-35761-0181		COVER	1		
7-5	0-35943-0150		INSULATE BUSH	1		
7-6	0-35923-0130		COLLAR	1		
7-7	0-35943-0160		INSULATE BUSH	1		
7-8	0-35943-0140		INSULATE BUSH	1		
7-9	0-35943-0170		INSULATE BUSH	2		
7-10	0-35784-0280		CONNECT BAR	1		
7-11	0-35784-0270		CONNECT BAR	1		
7-12	0-09011-3540		SCREW	2		
7-13	0-0056-05302		SCREW	3		
8	0-35719-0280		REGULATOR ASSY	1		

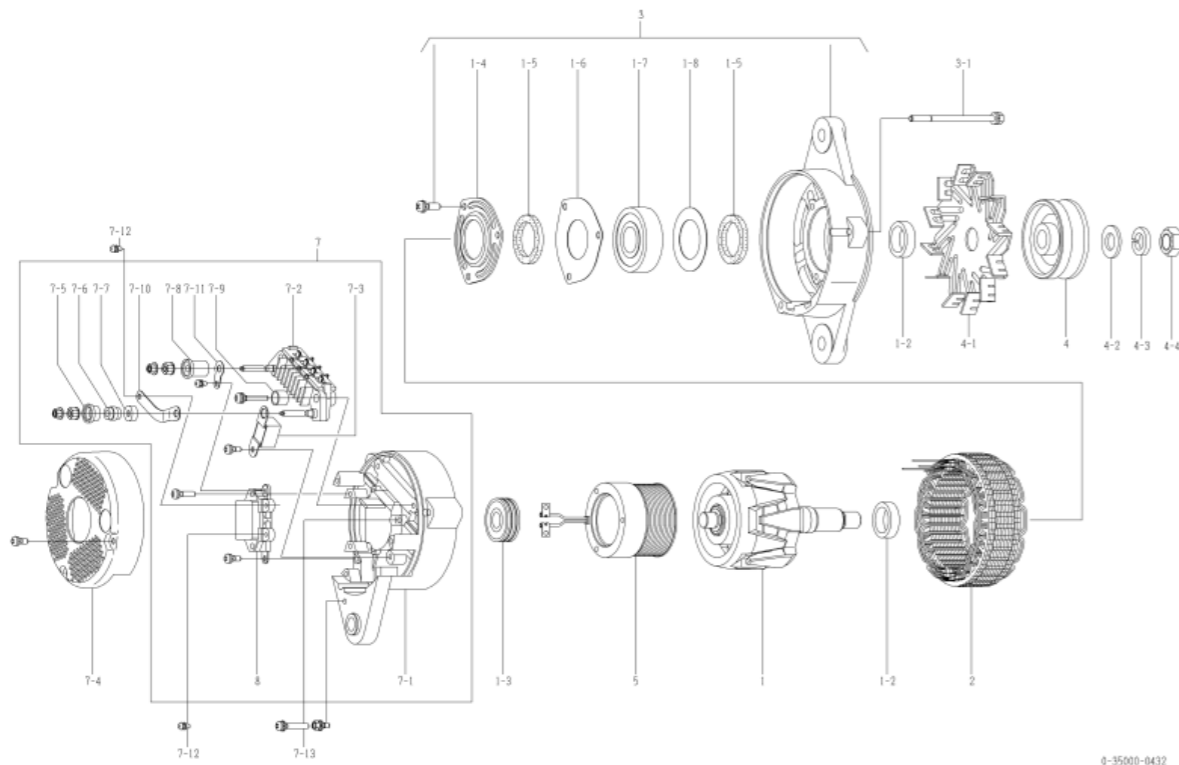


0-35000-0432 ALTERNATOR

OEM CUSTOMER	KOMATSU	OEM PARTS NUMBER	600-825-3131
NOMINAL OUT PUT	24V 35A	SUPPLY TERM	98.02~
WEIGHT	8kg	REGULATOR	BUILT-IN
ENGINE MODEL	SA6D170A, OTHERS		
VEHICLE	GENERATOR, OTHERS		
DESIGN RECORD	0431 → 0432 CONNECT BAR, FIELD COIL, CONDENSER CHANGED		
NOTE	#19 TYPE V BELT SINGLE PEAK CLOCKWISE ROTATION PULLEY IS DIFFERENT FROM 0-35000-0392		

0-35000-0432 ALTERNATOR (MAKER PART NO 600-825-3131)

No	Parts Number	Maker Parts No	Description	Qty	List Price	Note
1	0-35100-0280		ROTOR ASSY	1		
1-2	1-33923-0790		COLLAR	2		
1-3	0-09201-0870		BALL BEARING	1		REAR
1-4	0-35926-0070		RETAINER	1		
1-5	0-35951-0060		PACKING	2		
1-6	0-35926-0090		RETAINER	1		
1-7	0-09201-0881		BALL BEARING	1		FRONT
1-8	1-33926-0730		RETAINER	1		
2	0-35200-0401		STATOR ASSY	1		
3	0-35300-0130		F.BRACKET ASSY	1		INCLUDING 1-4~1-8
3-1	0-0275-06802		BOLT	3		THROUGH BOLT
4	0-35411-0600		PULLEY	1		
4-1	0-35421-0140		FAN	1		
4-2	1-0330-16012		PLAIN WASHER	1		
4-3	1-0335-16002		SPRING WASHER	1		
4-4	0-0280-16022		NUT	1		
5	0-35120-0450		FIELD COIL CO	1		
7	0-35700-0663		R.BRACKET ASSY	1		INC 7-1~7-3,7-5~7-11,8
7-1	0-35710-0751		REAR BRACKET CO	1		
7-2	0-35730-0510		RECTIFIER ASSY	1		
7-3	0-09170-2501		CONDENSER	1		
7-4	0-35761-0181		COVER	1		
7-5	0-35943-0150		INSULATE BUSH	1		
7-6	0-35923-0130		COLLAR	1		
7-7	0-35943-0160		INSULATE BUSH	1		
7-8	0-35943-0140		INSULATE BUSH	1		
7-9	0-35943-0170		INSULATE BUSH	2		
7-10	0-35784-0280		CONNECT BAR	1		
7-11	0-35784-0270		CONNECT BAR	1		
7-12	0-09011-3540		SCREW	2		
7-13	0-0056-05302		SCREW	3		
8	0-35719-0280		REGULATOR ASSY	1		

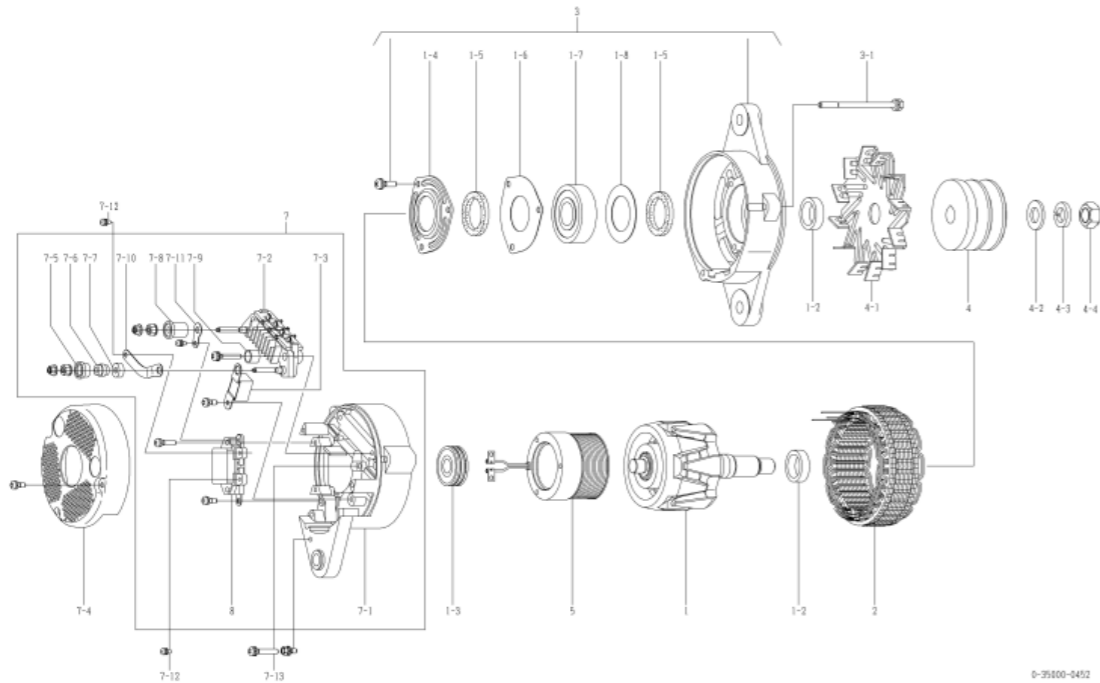


0-35000-0452 ALTERNATOR

OEM CUSTOMER	KOMATSU	OEM PARTS NUMBER	600-825-3251
NOMINAL OUT PUT	24V 35A	SUPPLY TERM	98.02~
WEIGHT	8kg	REGULATOR	BUILT-IN
ENGINE MODEL	S6D125E-2, OTHERS		
VEHICLE	D65EX-12, D75S-5, OTHERS		
DESIGN RECORD	0451 → 0452 CONNECT BAR, FIELD COIL, CONDENSER CHANGED		
NOTE	#22 TYPE V BELT DOUBLE PEAKS (QUENCHED) CLOCKWISE ROTATION INTEGRATED TYPE OF 0-35000-0070 PULLEY IS DIFFERENT FROM 0-35000-0392		

0-35000-0452 ALTERNATOR (MAKER PART NO 600-825-3251)

No	Parts Number	Maker Parts No	Description	Qty	List Price	Note
1	0-35100-0280		ROTOR ASSY	1		
1-2	1-33923-0790		COLLAR	2		
1-3	0-09201-0870		BALL BEARING	1		REAR
1-4	0-35926-0070		RETAINER	1		
1-5	0-35951-0060		PACKING	2		
1-6	0-35926-0090		RETAINER	1		
1-7	0-09201-0881		BALL BEARING	1		FRONT
1-8	1-33926-0730		RETAINER	1		
2	0-35200-0401		STATOR ASSY	1		
3	0-35300-0130		F.BRACKET ASSY	1		INCLUDING 1-4~1-8
3-1	0-0275-06802		BOLT	3		THROUGH BOLT
4	0-35411-0180		PULLEY	1		
4-1	0-35421-0140		FAN	1		
4-2	1-0330-16012		PLAIN WASHER	1		
4-3	1-0335-16002		SPRING WASHER	1		
4-4	0-0280-16022		NUT	1		
5	0-35120-0450		FIELD COIL CO	1		
7	0-35700-0663		R.BRACKET ASSY	1		INC 7-1~7-3,7-5~7-11,8
7-1	0-35710-0751		REAR BRACKET CO	1		
7-2	0-35730-0510		RECTIFIER ASSY	1		
7-3	0-09170-2501		CONDENSER	1		
7-4	0-35761-0181		COVER	1		
7-5	0-35943-0150		INSULATE BUSH	1		
7-6	0-35923-0130		COLLAR	1		
7-7	0-35943-0160		INSULATE BUSH	1		
7-8	0-35943-0140		INSULATE BUSH	1		
7-9	0-35943-0170		INSULATE BUSH	2		
7-10	0-35784-0280		CONNECT BAR	1		
7-11	0-35784-0270		CONNECT BAR	1		
7-12	0-09011-3540		SCREW	2		
7-13	0-0056-05302		SCREW	3		
8	0-35719-0280		REGULATOR ASSY	1		

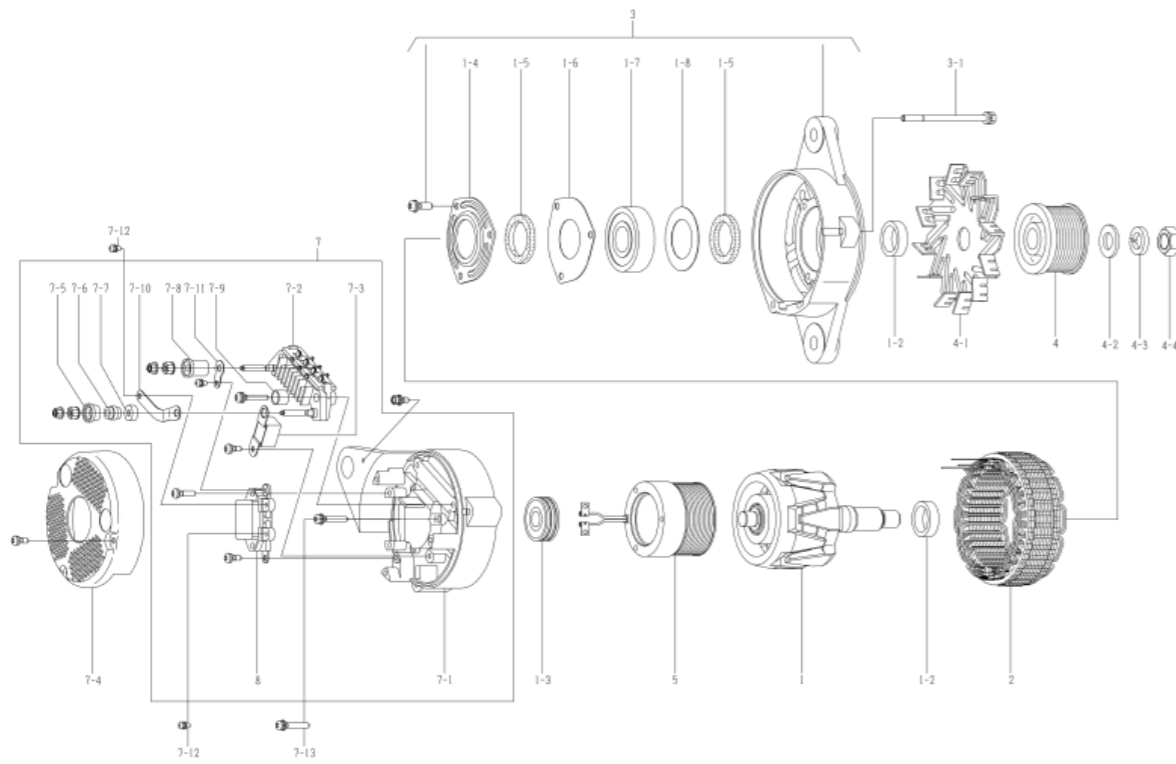


0-35000-0462 ALTERNATOR

OEM CUSTOMER	KOMATSU	OEM PARTS NUMBER	600-861-3111
NOMINAL OUT PUT	24V 35A	SUPPLY TERM	98.02~
WEIGHT	8kg	REGULATOR	BUILT-IN
ENGINE MODEL	S6D102E, OTHERS		
VEHICLE	WA200E-3, OTHERS		
DESIGN RECORD	0461 → 0462 CONNECT BAR, FIELD COIL, CONDENSER CHANGED		
NOTE	K TYPE V BELT 8 PEAKS CLOCKWISE ROTATION INSTALLATION HOLE POSITION IS INVERSE		

0-35000-0462 ALTERNATOR (MAKER PART NO 600-861-3111)

No	Parts Number	Maker Parts No	Description	Qty	List Price	Note
1	0-35100-0280		ROTOR ASSY	1		
1-2	1-33923-0790		COLLAR	2		
1-3	0-09201-0870		BALL BEARING	1		REAR
1-4	0-35926-0070		RETAINER	1		
1-5	0-35951-0060		PACKING	2		
1-6	0-35926-0090		RETAINER	1		
1-7	0-09201-0881		BALL BEARING	1		FRONT
1-8	1-33926-0730		RETAINER	1		
2	0-35200-0401		STATOR ASSY	1		
3	0-35300-0160		F.BRACKET ASSY	1		INCLUDING 1-4~1-8
3-1	0-0275-06802		BOLT	3		THROUGH BOLT
4	0-35411-0641		PULLEY	1		
4-1	0-35421-0140		FAN	1		
4-2	1-0330-16012		PLAIN WASHER	1		
4-3	1-0335-16002		SPRING WASHER	1		
4-4	0-0280-16022		NUT	1		
5	0-35120-0450		FIELD COIL CO	1		
7	0-35700-0703		R.BRACKET ASSY	1		INC 7-1~7-3,7-5~7-11,8
7-1	0-35710-0810		REAR BRACKET CO	1		
7-2	0-35730-0510		RECTIFIER ASSY	1		
7-3	0-09170-2501		CONDENSER	1		
7-4	0-35761-0200		COVER	1		
7-5	0-35943-0150		INSULATE BUSH	1		
7-6	0-35923-0130		COLLAR	1		
7-7	0-35943-0160		INSULATE BUSH	1		
7-8	0-35943-0140		INSULATE BUSH	1		
7-9	0-35943-0170		INSULATE BUSH	2		
7-10	0-35784-0280		CONNECT BAR	1		
7-11	0-35784-0270		CONNECT BAR	1		
7-12	0-09011-3540		SCREW	2		
7-13	0-0056-05302		SCREW	3		
8	0-35719-0280		REGULATOR ASSY	1		



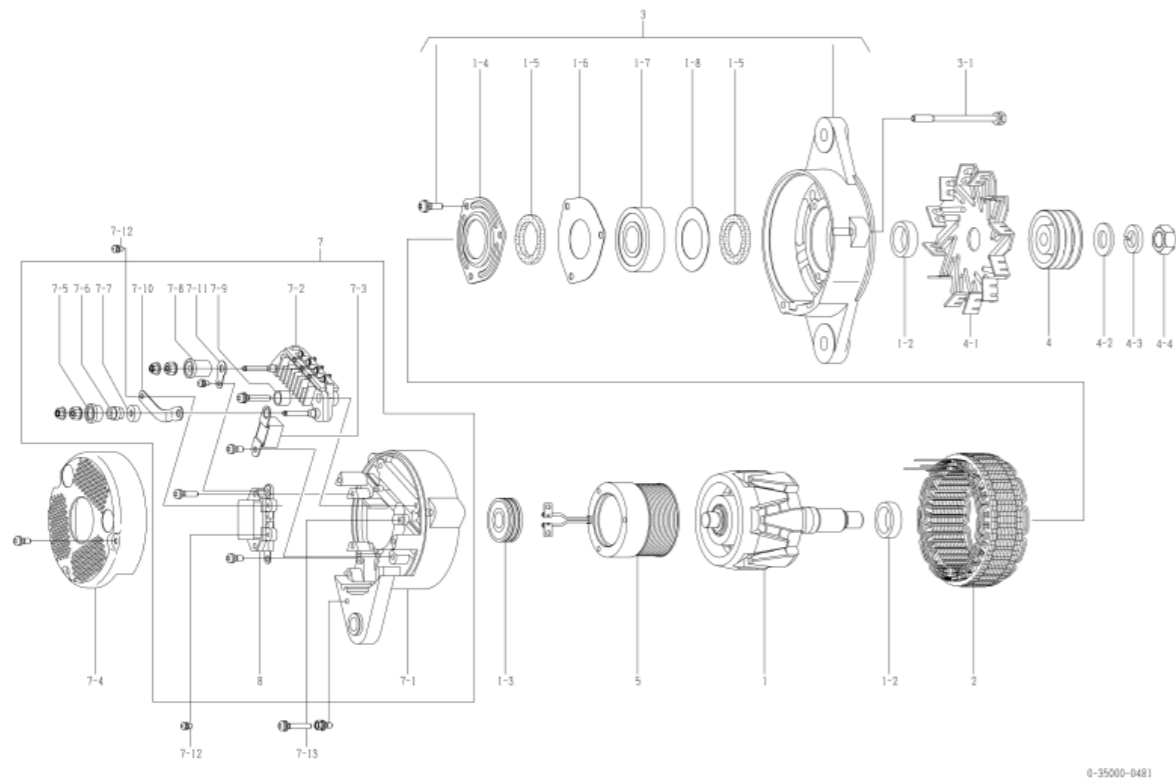
0-35000-0462

0-35000-0481 ALTERNATOR

OEM CUSTOMER	KOMATSU	OEM PARTS NUMBER	600-825-3210
NOMINAL OUT PUT	24V 35A	SUPPLY TERM	98.02~
WEIGHT	8kg	REGULATOR	BUILT-IN
ENGINE MODEL	S6D140E-2A, B, OTHERS		
VEHICLE	D155AX-5, OTHERS		
DESIGN RECORD	0480 → 0481 CONNECT BAR, FIELD COIL, CONDENSER CHANGED		
NOTE	#10 TYPE V BELT DOUBLE PEAKS (QUENCHED) COUNTERCLOCKWISE ROTATION PULLEY AND FAN ARE DIFFERENT FROM 0-35000-0392		

0-35000-0481 ALTERNATOR (MAKER PART NO 600-825-3210)

No	Parts Number	Maker Parts No	Description	Qty	List Price	Note
1	0-35100-0280		ROTOR ASSY	1		
1-2	1-33923-0790		COLLAR	2		
1-3	0-09201-0870		BALL BEARING	1		REAR
1-4	0-35926-0070		RETAINER	1		
1-5	0-35951-0060		PACKING	2		
1-6	0-35926-0090		RETAINER	1		
1-7	0-09201-0881		BALL BEARING	1		FRONT
1-8	1-33926-0730		RETAINER	1		
2	0-35200-0401		STATOR ASSY	1		
3	0-35300-0130		F.BRACKET ASSY	1		INCLUDING 1-4~1-8
3-1	0-0275-06802		BOLT	3		THROUGH BOLT
4	0-35411-0701		PULLEY	1		
4-1	0-35421-0160		FAN	1		
4-2	1-0330-16012		PLAIN WASHER	1		
4-3	1-0335-16002		SPRING WASHER	1		
4-4	0-0280-16022		NUT	1		
5	0-35120-0450		FIELD COIL CO	1		
7	0-35700-0663		R.BRACKET ASSY	1		INC 7-1~7-3,7-5~7-11,8
7-1	0-35710-0751		REAR BRACKET CO	1		
7-2	0-35730-0510		RECTIFIER ASSY	1		
7-3	0-09170-2501		CONDENSER	1		
7-4	0-35761-0181		COVER	1		
7-5	0-35943-0150		INSULATE BUSH	1		
7-6	0-35923-0130		COLLAR	1		
7-7	0-35943-0160		INSULATE BUSH	1		
7-8	0-35943-0140		INSULATE BUSH	1		
7-9	0-35943-0170		INSULATE BUSH	2		
7-10	0-35784-0280		CONNECT BAR	1		
7-11	0-35784-0270		CONNECT BAR	1		
7-12	0-09011-3540		SCREW	2		
7-13	0-0056-05302		SCREW	3		
8	0-35719-0280		REGULATOR ASSY	1		



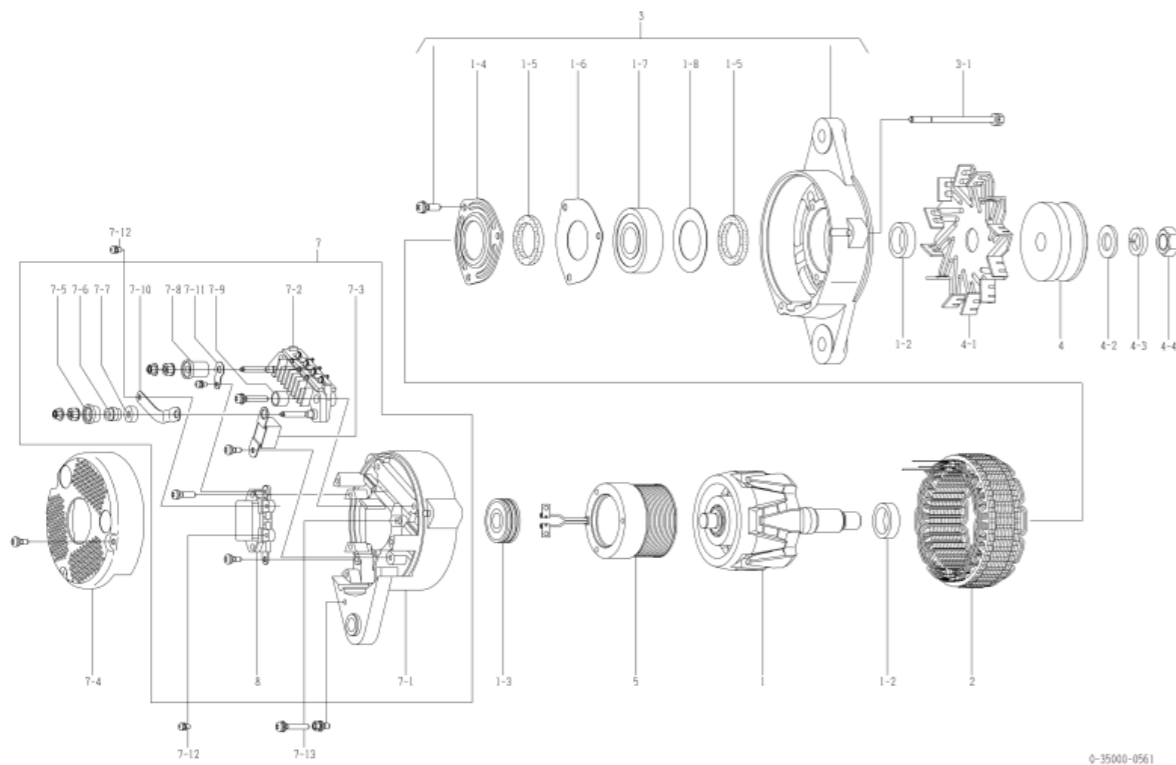
0-35000-0481

0-35000-0561 ALTERNATOR

OEM CUSTOMER	KOMATSU	OEM PARTS NUMBER	600-825-3750
NOMINAL OUT PUT	24V 35A	SUPPLY TERM	98.02~
WEIGHT	8 kg	REGULATOR	BUILT-IN
ENGINE MODEL	SAD102E-1J, K, OTHERS		
VEHICLE	D31, D37, OTHERS		
DESIGN RECORD	0560 → 0561 CONNECT BAR, FIELD COIL, CONDENSER CHANGED		
NOTE	#17 TYPE V BELT SINGLE PEAK (QUENCHED) CLOCKWISE ROTATION INTEGRATED TYPE OF 0-35000-0080, 0140, 0230, 0260, 3050, 3230 PULLEY IS DIFFERENT FROM 0-35000-0392		

0-35000-0561 ALTERNATOR (MAKER PART NO 600-825-3750)

No	Parts Number	Maker Parts No	Description	Qty	List Price	Note
1	0-35100-0280		ROTOR ASSY	1		
1-2	1-33923-0790		COLLAR	2		
1-3	0-09201-0870		BALL BEARING	1		REAR
1-4	0-35926-0070		RETAINER	1		
1-5	0-35951-0060		PACKING	2		
1-6	0-35926-0090		RETAINER	1		
1-7	0-09201-0881		BALL BEARING	1		FRONT
1-8	1-33926-0730		RETAINER	1		
2	0-35200-0401		STARTOR ASSY	1		
3	0-35300-0130		F.BRACKET ASSY	1		INCLUDING 1-4~1-8
3-1	0-0275-06802		BOLT	3		THROUGH BOLT
4	0-35411-0210		PULLEY	1		
4-1	0-35421-0140		FAN	1		
4-2	1-0330-16012		PLAIN WASHER	1		
4-3	1-0335-16002		SPRING WASHER	1		
4-4	0-0280-16022		NUT	1		
5	0-35120-0450		FIELD COIL CO	1		
7	0-35700-0663		R.BRACKET ASSY	1		INC 7-1~7-3,7-5~7-11,8
7-1	0-35710-0751		R.BRACKET CO	1		
7-2	0-35730-0510		RECTIFIER ASSY	1		
7-3	0-09170-2501		CONDENSER	1		
7-4	0-35761-0181		COVER	1		
7-5	0-35943-0150		INSULATE BUSH	1		
7-6	0-35923-0130		COLLAR	1		
7-7	0-35943-0160		INSULATE BUSH	1		
7-8	0-35943-0140		INSULATE BUSH	1		
7-9	0-35943-0170		INSULATE BUSH	2		
7-10	0-35784-0280		CONNECT BAR	1		
7-11	0-35784-0270		CONNECT BAR	1		
7-12	0-09011-3540		SCREW	2		
7-13	0-0056-05302		SCREW	3		
8	0-35719-0280		REGULATOR ASSY	1		



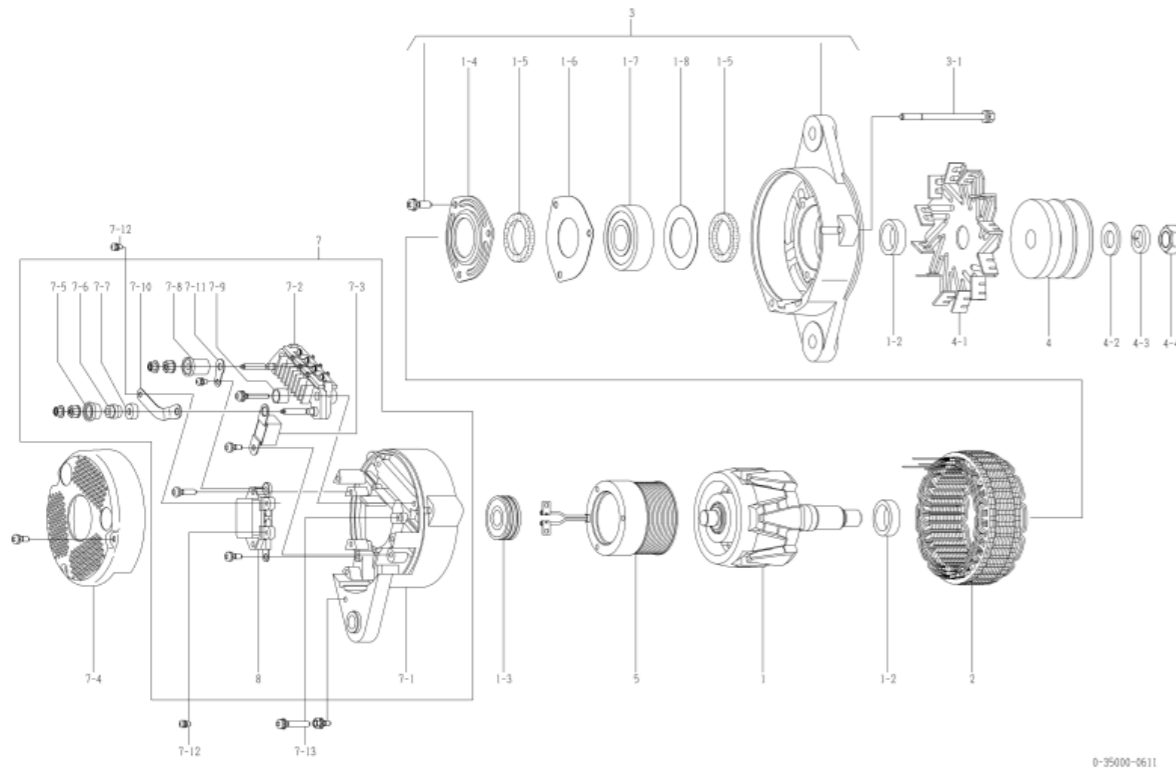
0-35000-0561

0-35000-0611 ALTERNATOR

OEM CUSTOMER	KOMATSU	OEM PARTS NUMBER	600-825-3350
NOMINAL OUT PUT	24V 35A	SUPPLY TERM	98.02~
WEIGHT	8 kg	REGULATOR	BUILT-IN
ENGINE MODEL	SA6D125E-2A		
VEHICLE	PC400-6		
DESIGN RECORD	0610 → 0611 CONNECT BAR, FIELD COIL, CONDENSER CHANGED		
NOTE	#22 TYPE V BELT DOUBLE PEAKS CLOCKWISE ROTATION COLD RESISTANCE		

0-35000-0611 ALTERNATOR (MAKER PART NO 600-825-3350)

No	Parts Number	Maker Parts No	Description	Qty	List Price	Note
1	0-35100-0280		ROTOR ASSY	1		
1-2	1-33923-0790		COLLAR	2		
1-3	0-09201-0990		BALL BEARING	1		REAR
1-4	0-35926-0070		RETAINER	1		
1-5	0-35951-0060		PACKING	2		
1-6	0-35926-0090		RETAINER	1		
1-7	0-09201-1000		BALL BEARING	1		FRONT
1-8	1-33926-0730		RETAINER	1		
2	0-35200-0401		STARTOR ASSY	1		
3	0-35300-0230		F.BRACKET ASSY	1		INCLUDING 1-4~1-8
3-1	0-0275-06802		BOLT	3		THROUGH BOLT
4	0-35411-0560		PULLEY	1		
4-1	0-35421-0140		FAN	1		
4-2	1-0330-16012		PLAIN WASHER	1		
4-3	1-0335-16002		SPRING WASHER	1		
4-4	0-0280-16022		NUT	1		
5	0-35120-0450		FIELD COIL CO	1		
7	0-35700-0663		R.BRACKET ASSY	1		INC 7-1~7-3,7-5~7-11,8
7-1	0-35710-0751		R.BRACKET CO	1		
7-2	0-35730-0510		RECTIFIER ASSY	1		
7-3	0-09170-2501		CONDENSER	1		
7-4	0-35761-0181		COVER	1		
7-5	0-35943-0150		INSULATE BUSH	1		
7-6	0-35923-0130		COLLAR	1		
7-7	0-35943-0160		INSULATE BUSH	1		
7-8	0-35943-0140		INSULATE BUSH	1		
7-9	0-35943-0170		INSULATE BUSH	2		
7-10	0-35784-0280		CONNECT BAR	1		
7-11	0-35784-0270		CONNECT BAR	1		
7-12	0-09011-3540		SCREW	2		
7-13	0-0056-05302		SCREW	3		
8	0-35719-0280		REGULATOR ASSY	1		

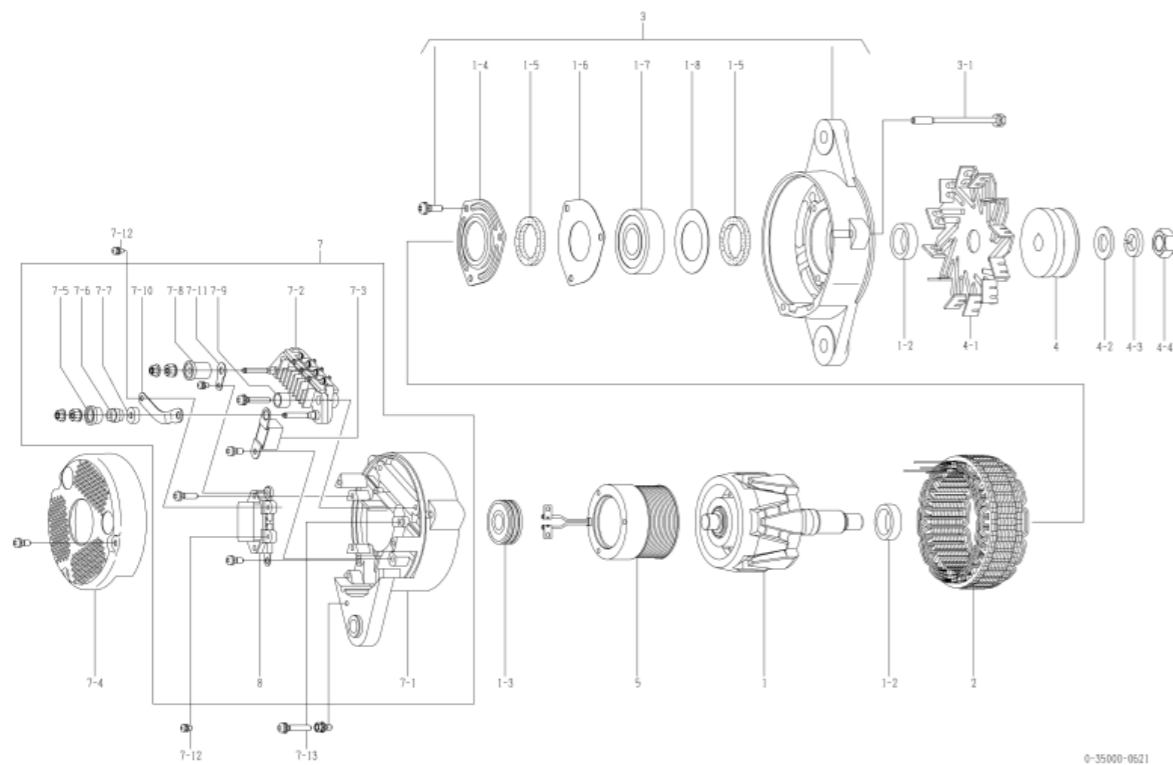


0-35000-0621 ALTERNATOR

OEM CUSTOMER	KOMATSU	OEM PARTS NUMBER	600-825-3810
NOMINAL OUT PUT	24V 35A	SUPPLY TERM	98.02~
WEIGHT	8 kg	REGULATOR	BUILT-IN
ENGINE MODEL	S6D125E-2		
VEHICLE	D85-21		
DESIGN RECORD	0620 → 0621 CONNECT BAR, FIELD COIL, CONDENSER CHANGED		
NOTE	#17 TYPE V BELT SINGLE PEAK (QUENCHED) COUNTERCLOCKWISE ROTATION PULLEY AND FAN ARE DIFFERENT FROM 0-35000-0541		

0-35000-0621 ALTERNATOR (MAKER PART NO 600-825-3810)

No	Parts Number	Maker Parts No	Description	Qty	List Price	Note
1	0-35100-0280		ROTOR ASSY	1		
1-2	1-33923-0790		COLLAR	2		
1-3	0-09201-0870		BALL BEARING	1		REAR
1-4	0-35926-0070		RETAINER	1		
1-5	0-35951-0060		PACKING	2		
1-6	0-35926-0090		RETAINER	1		
1-7	0-09201-0881		BALL BEARING	1		FRONT
1-8	1-33926-0730		RETAINER	1		
2	0-35200-0401		STARTOR ASSY	1		
3	0-35300-0130		F.BRACKET ASSY	1		INCLUDING 1-4~1-8
3-1	0-0275-06802		BOLT	3		THROUGH BOLT
4	1-35411-0210		PULLEY	1		
4-1	0-35421-0160		FAN	1		
4-2	1-0330-16012		PLAIN WASHER	1		
4-3	1-0335-16002		SPRING WASHER	1		
4-4	0-0280-16022		NUT	1		
5	0-35120-0450		FIELD COIL CO	1		
7	0-35700-0663		R.BRACKET ASSY	1		INC 7-1~7-3,7-5~7-11,8
7-1	0-35710-0751		R.BRACKET CO	1		
7-2	0-35730-0510		RECTIFIER ASSY	1		
7-3	0-09170-2501		CONDENSER	1		
7-4	0-35761-0181		COVER	1		
7-5	0-35943-0150		INSULATE BUSH	1		
7-6	0-35923-0130		COLLAR	1		
7-7	0-35943-0160		INSULATE BUSH	1		
7-8	0-35943-0140		INSULATE BUSH	1		
7-9	0-35943-0170		INSULATE BUSH	2		
7-10	0-35784-0280		CONNECT BAR	1		
7-11	0-35784-0270		CONNECT BAR	1		
7-12	0-09011-3540		SCREW	2		
7-13	0-0056-05302		SCREW	3		
8	0-35719-0280		REGULATOR ASSY	1		



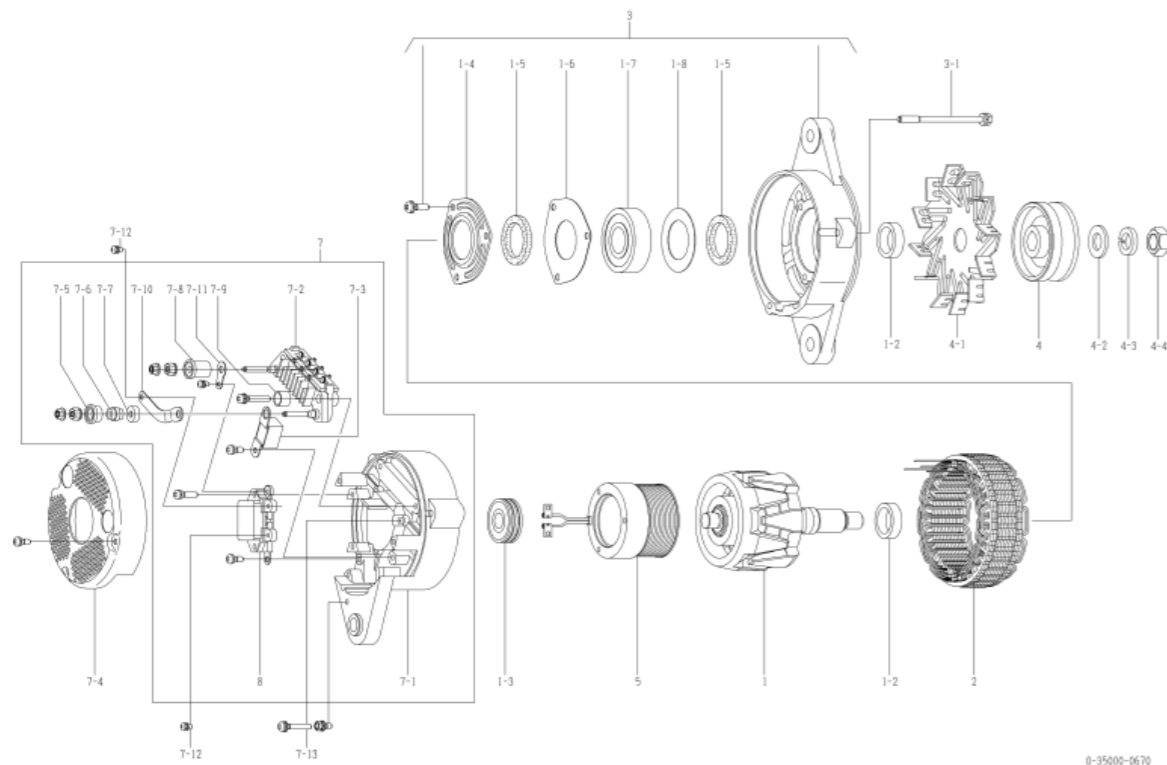
0-35000-0621

0-35000-0670 ALTERNATOR

OEM CUSTOMER	KOMATSU	OEM PARTS NUMBER	600-825-3190
NOMINAL OUT PUT	24V 35A	SUPPLY TERM	05.10~
WEIGHT	8 kg	REGULATOR	BUILT-IN
ENGINE MODEL	SAA4D95LE-5-A		
VEHICLE	D31PX-22		
DESIGN RECORD			
NOTE	#17 TYPE V BELT SINGLE PEAK CLOCKWISE ROTATION PULLEY IS DIFFERENT FROM 0-35000-0422		

0-35000-0670 ALTERNATOR (MAKER PART NO 600-825-3190)

No	Parts Number	Maker Parts No	Description	Qty	List Price	Note
1	0-35100-0280		ROTOR ASSY	1		
1-2	1-33923-0790		COLLAR	2		
1-3	0-09201-0870		BALL BEARING	1		REAR
1-4	0-35926-0070		RETAINER	1		
1-5	0-35951-0060		PACKING	2		
1-6	0-35926-0090		RETAINER	1		
1-7	0-09201-0881		BALL BEARING	1		FRONT
1-8	1-33926-0730		RETAINER	1		
2	0-35200-0401		STARTOR ASSY	1		
3	0-35300-0130		F.BRACKET ASSY	1		INCLUDING 1-4~1-8
3-1	0-0275-06802		BOLT	3		THROUGH BOLT
4	1-35411-0062		PULLEY	1		
4-1	0-35421-0140		FAN	1		
4-2	1-0330-16012		PLAIN WASHER	1		
4-3	1-0335-16002		SPRING WASHER	1		
4-4	0-0280-16022		NUT	1		
5	0-35120-0450		FIELD COIL CO	1		
7	0-35700-0663		R.BRACKET ASSY	1		INC 7-1~7-3,7-5~7-11,8
7-1	0-35710-0751		R.BRACKET CO	1		
7-2	0-35730-0510		RECTIFIER ASSY	1		
7-3	0-09170-2501		CONDENSER	1		
7-4	0-35761-0181		COVER	1		
7-5	0-35943-0150		INSULATE BUSH	1		
7-6	0-35923-0130		COLLAR	1		
7-7	0-35943-0160		INSULATE BUSH	1		
7-8	0-35943-0140		INSULATE BUSH	1		
7-9	0-35943-0170		INSULATE BUSH	2		
7-10	0-35784-0280		CONNECT BAR	1		
7-11	0-35784-0270		CONNECT BAR	1		
7-12	0-09011-3540		SCREW	2		
7-13	0-0056-05302		SCREW	3		
8	0-35719-0280		REGULATOR ASSY	1		



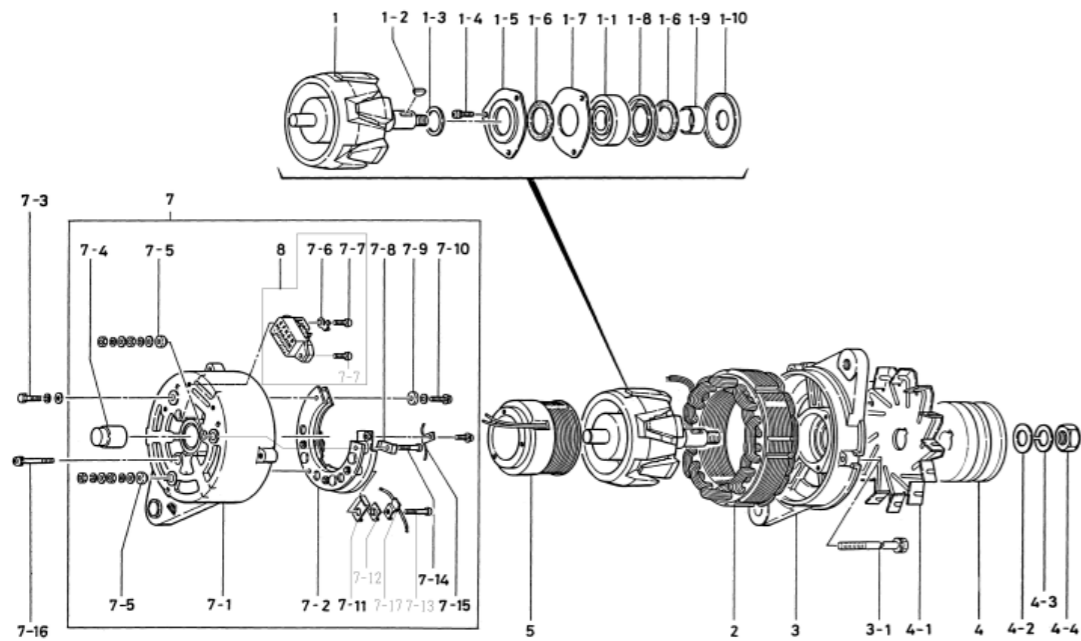
0-35000-0670

0-35000-3180 ALTERNATOR

OEM CUSTOMER	KOMATSU	OEM PARTS NUMBER	600-821-7220
NOMINAL OUT PUT	24V 35A	SUPPLY TERM	83.12~
WEIGHT	10.5kg	REGULATOR	BUILT-IN
ENGINE MODEL	S6D125		
VEHICLE	GD705A-4, OTHERS		
DESIGN RECORD			
NOTE	#22 TYPE V BELT DOUBLE PEAKS (QUENCHED) CLOCKWISE ROTATION PULLEY IS DIFFERENT FROM 0-35000-3070		

0-35000-3180 ALTERNATOR (MAKER PART NO 600-821-7220)

No	Parts Number	Maker Parts No	Description	Qty	List Price	Note
1	1-33100-1270		ROTOR ASSY	1		
1-1	1-0456-63057		BALL BEARING	1		FRONT
1-2	1-0416-04160		WOODRUFF KEY	1		
1-3	1-33923-0780		COLLAR	1		
1-4	1-0055-06162		SCREW	3		
1-5	0-35926-0060		RETAINER	1		
1-6	1-33951-0610		PACKING	2		
1-7	1-33926-0750		RETAINER	1		
1-8	1-33926-0730		RETAINER	1		
1-9	1-33923-0810		COLLAR	1		
1-10	1-33926-0770		RETAINER	1		
2	1-33200-1230		STATOR ASSY	1		
3	1-33310-1060		FRONT BRACKET	1		
3-1	0-0275-06852		BOLT	3		THROUGH BOLT
4	0-35411-0180		PULLEY	1		
4-1	1-33421-0510		FAN	1		
4-2	1-0330-16012		PLAIN WASHER	1		
4-3	1-0335-16002		SPRING WASHER	1		
4-4	0-0280-16022		NUT	1		
5	0-33120-0220		FIELD COIL CO	1		
7	0-35700-1130		R.BRACKET ASSY	1		INC 7-1,7-2,7-4~7-15,7-17,8
7-1	0-33710-2870		REAR BRACKET CO	1		INCLUDING 7-4
7-2	0-33730-2190		RECTIFIER ASSY	1		
7-3	0-0080-05102		BOLT	1		
7-4	1-09202-0070		ROLLER BEARING	1		REAR
7-5	1-33943-0770		INSULATE BUSH	2		
7-6	1-33786-0420		TERMINAL PLATE	1		
7-7	0-0056-05162		SCREW	2		
7-8	1-33928-0220		STOPPER	1		
7-9	1-09102-0010		INSULATE PLATE	1		
7-10	0-0055-05252		SCREW	1		
7-11	1-33928-0230		STOPPER	1		
7-12	1-33943-0760		INSULATE BUSH	1		
7-13	0-0080-05502		BOLT	1		
7-14	0-0080-05452		BOLT	1		
7-15	1-0550-05013		TERMINAL PLATE	1		LEAD WIRE NOT INCLUDED
7-16	0-0056-05452		SCREW	3		
8	7-44000-0907		REGULATOR	1		INCLUDING 7-6,7-7



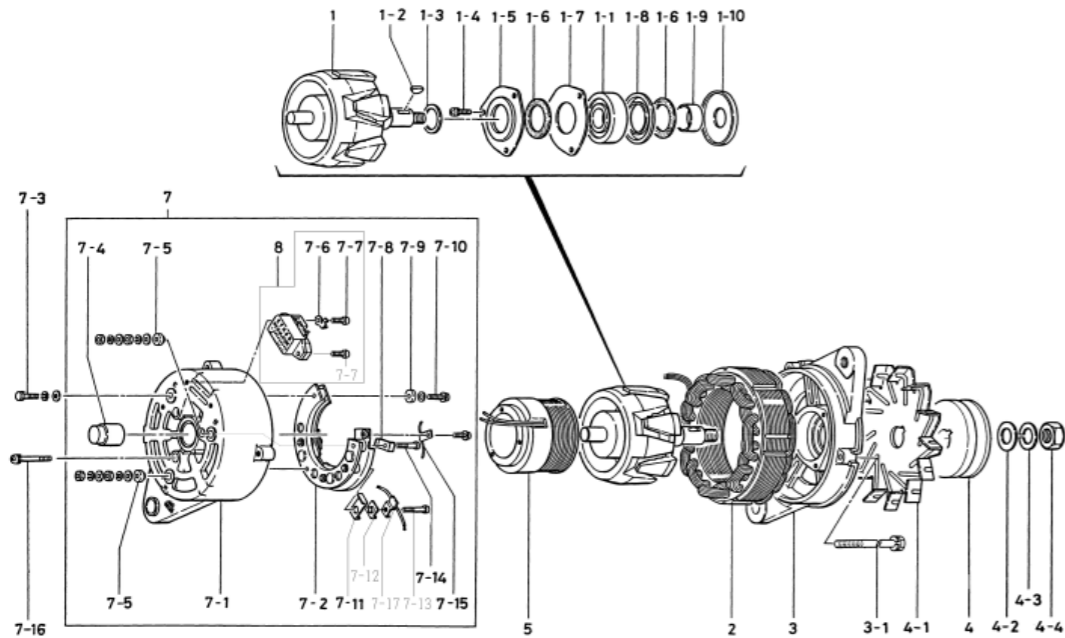
0-35000-3180

0-35000-3280 ALTERNATOR

OEM CUSTOMER	KOMATSU	OEM PARTS NUMBER	600-821-7310
NOMINAL OUT PUT	24V 35A	SUPPLY TERM	84.06~
WEIGHT	9.5kg	REGULATOR	BUILT-IN
ENGINE MODEL	S6D140, OTHERS		
VEHICLE	WS16S-3, OTHERS		
DESIGN RECORD			
NOTE	#17 TYPE V BELT SINGLE PEAK (QUENCHED) COUNTERCLOCKWISE ROTATION INTEGRATED TYPE OF 0-35000-0110, 0280		

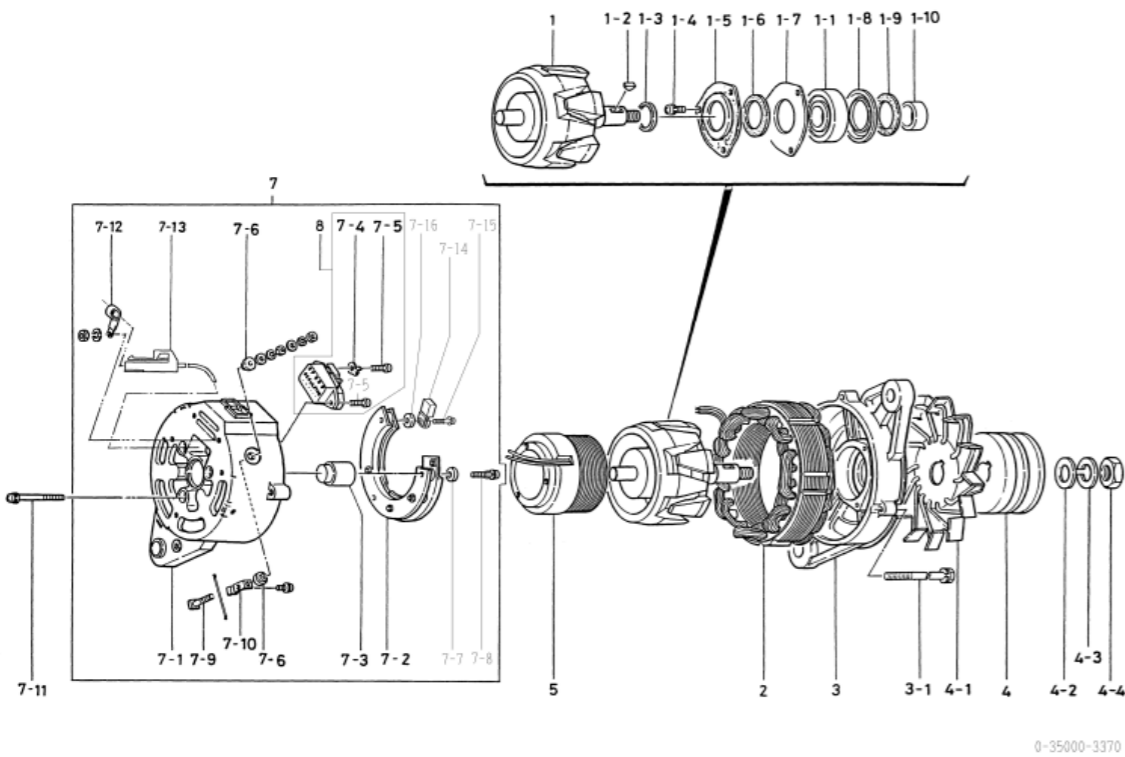
0-35000-3280 ALTERNATOR (MAKER PART NO 600-821-7310)

No	Parts Number	Maker Parts No	Description	Qty	List Price	Note
1	1-33100-1270		ROTOR ASSY	1		
1-1	1-0456-63057		BALL BEARING	1		FRONT
1-2	1-0416-04160		WOODRUFF KEY	1		
1-3	1-33923-0780		COLLAR	1		
1-4	1-0055-06162		SCREW	3		
1-5	0-35926-0060		RETAINER	1		
1-6	1-33951-0610		PACKING	2		
1-7	1-33926-0750		RETAINER	1		
1-8	1-33926-0730		RETAINER	1		
1-9	1-33923-0810		COLLAR	1		
1-10	1-33926-0770		RETAINER	1		
2	1-33200-1230		STATOR ASSY	1		
3	1-33310-1060		FRONT BRACKET CO	1		
3-1	0-0275-06852		BOLT	3		THROUGH BOLT
4	0-35411-0210		PULLEY	1		
4-1	1-35421-0010		FAN	1		
4-2	1-0330-16012		PLAIN WASHER	1		
4-3	1-0335-16002		SPRING WASHER	1		
4-4	0-0280-16022		NUT	1		
5	0-33120-0220		FIELD COIL CO	1		
7	0-35700-1130		R.BRACKET ASSY	1		INC 7-1,7-2,7-4~7-15,7-17,8
7-1	0-33710-2870		REAR BRACKET CO	1		INCLUDING 7-4
7-2	0-33730-2190		RECTIFIER ASSY	1		
7-3	0-0080-05102		BOLT	1		
7-4	1-09202-0070		ROLLER BEARING	1		REAR
7-5	1-33943-0770		INSULATE BUSH	2		
7-6	1-33786-0420		TERMINAL PLATE	1		INCLUDED IN 8
7-7	0-0056-05162		SCREW	2		INCLUDED IN 8
7-8	1-33928-0220		STOPPER	1		
7-9	1-09102-0010		INSULATE PLATE	1		
7-10	0-0055-05252		SCREW	1		
7-11	1-33928-0230		STOPPER	1		
7-12	1-33943-0760		INSULATE BUSH	1		
7-13	0-0080-05502		BOLT	1		
7-14	0-0080-05452		BOLT	1		
7-15	1-0550-05013		TERMINAL PLATE	1		LEAD WIRE NOT INCLUDED
7-16	0-0056-05452		SCREW	3		
7-17	1-33785-2690		LEAD WIRE CO	1		
8	7-44000-0907		REGULATOR	1		INCLUDING 7-6,7-7



0-35000-3370 ALTERNATOR

OEM CUSTOMER	ISUZU	OEM PARTS NUMBER	1-81200397-0
NOMINAL OUT PUT	24V 40A	SUPPLY TERM	87.02~
WEIGHT	9.3kg	REGULATOR	BUILT-IN
ENGINE MODEL	6BD1		
VEHICLE	MOTOR (XE)		
DESIGN RECORD			
NOTE	B TYPE V BELT DOUBLE PEAKS CLOCKWISE ROTATION ADDING P TERMINAL TO 0-35000-3013		

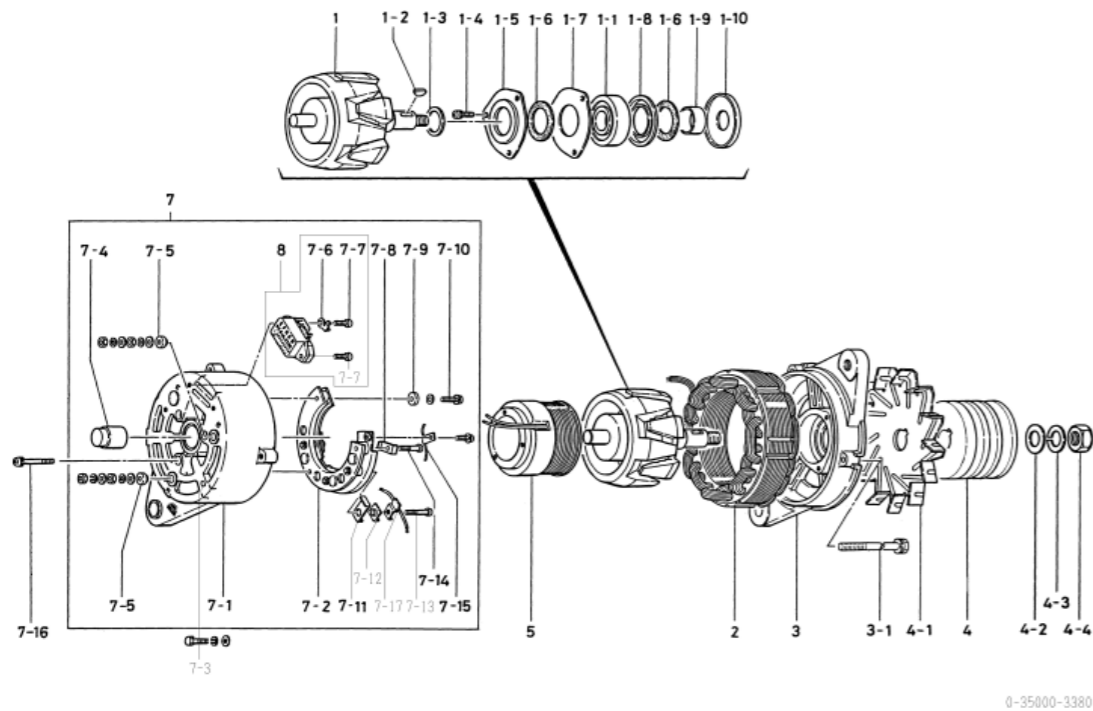


0-35000-3370 ALTERNATOR (MAKER PART NO 1-81200397-0)

No	Parts Number	Maker Parts No	Description	Qty	List Price	Note
1	1-33100-1270	1-81221056-0	ROTOR ASSY	1		
1-1	1-0453-63057	1-81229225-0	BALL BEARING	1		FRONT
1-2	1-0416-04160	9-82215867-0	WOODRUFF KEY	1		
1-3	1-33923-0780	1-81229373-0	COLLAR	1		
1-4	1-0055-06162	1-81229469-0	SCREW	3		
1-5	0-35926-0060	1-81229513-0	RETAINER	1		
1-6	1-33951-0610	1-81229383-0	PACKING	1		
1-7	1-33926-0750	1-81229376-0	RETAINER	1		
1-8	1-33926-0760	1-81229377-0	RETAINER	1		
1-9	1-09251-0440	1-81229384-0	PACKING	1		
1-10	1-33923-0810	1-81229374-0	COLLAR	1		
2	1-33200-1210	1-81211101-0	STATOR ASSY	1		
3	1-35311-0010	1-81213052-1	FRONT BRACKET	1		
3-1	0-0275-06802	1-81229382-0	BOLT	3		THROUGH BOLT
4	1-35411-0100	1-81222055-0	PULLEY	1		
4-1	1-33421-0490	1-81223005-0	FAN	1		
4-2	1-0330-16012	1-81229478-0	PLAIN WASHER	1		
4-3	1-0335-16002	1-81229479-0	SPRING WASHER	1		
4-4	0-0280-16022	1-81229474-0	NUT	1		
5	0-33120-0220	1-81212003-0	FIELD COIL CO	1		
7	0-35700-0300	1-812145263-0	R.BRACKET ASSY	1		INC.7-1~7-10,7-12~7-16,8
7-1	0-33710-2850	1-81214176-0	REAR BRACKET CO	1		INCLUDING 7-3
7-2	0-35730-0011	1-81219056-1	RECTIFIER ASSY	1		
7-3	1-09202-0070	1-81229381-0	ROLLER BEARING	1		REAR
7-4	1-33786-0420	1-81229470-0	TERMINAL PLATE	1		
7-5	0-0056-05162	1-81229471-0	SCREW	2		
7-6	1-33943-0770	1-81229042-0	INSULATE BUSH	2		
7-7	1-09102-0010	9-82115344-0	INSULATE PLATE	3		
7-8	0-0056-05352		SCREW	1		
7-9	0-33901-0640	5-81229192-0	BOLT	1		
7-10	0-35784-0090		CONNECT BAR	1		
7-11	0-0056-05402	1-81229473-0	SCREW	3		
7-12	1-33931-0021	1-81229122-0	CLIP	1		
7-13	0-35780-0150	1-81229588-0	TERMINAL ASSY	1		
7-14	0-09170-1310	1-81229539-0	CONDENSER	1		
7-15	0-0055-05302		SCREW	1		
7-16	1-31921-0020	1-81129031-0	WASHER	1		
8	7-44000-0900	1-81270001-0	REGULATOR	1		INCLUDING 7-4,7-5

0-35000-3380 ALTERNATOR

OEM CUSTOMER	UD TRUCKS	OEM PARTS NUMBER	23100-96269
NOMINAL OUT PUT	24V 50A	SUPPLY TERM	85.08~
WEIGHT	10kg	REGULATOR	BUILT-IN
ENGINE MODEL	PE6T		
VEHICLE	MOTOR		
DESIGN RECORD			
NOTE	V15 TYPE V BELT TRIPLE PEAKS CLOCKWISE ROTATION		



0-35000-3380

0-35000-3380 ALTERNATOR (MAKER PART NO 23100-96269)

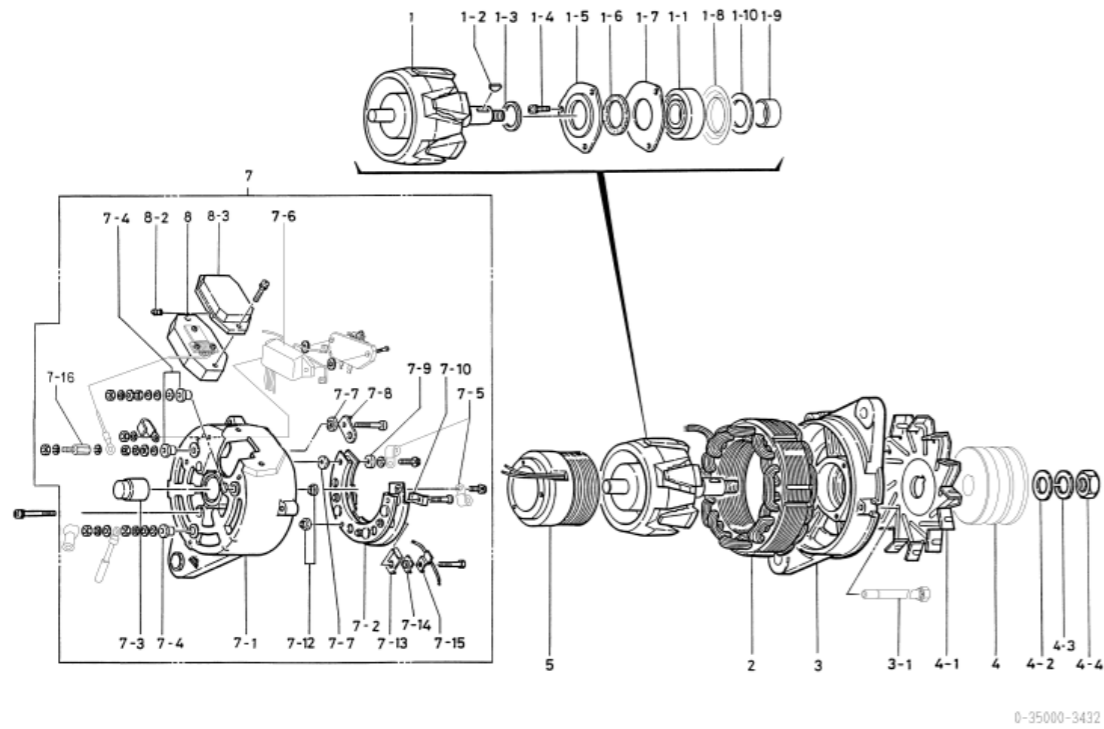
No	Parts Number	Maker Parts No	Description	Qty	List Price	Note
1	1-33100-1270	23108-99208	ROTOR ASSY	1		
1-1	1-0456-63057	23120-99113	BALL BEARING	1		FRONT
1-2	1-0416-04160	23172-99000	WOODRUFF KEY	1		
1-3	1-33923-0780	23115-990004	COLLAR	1		
1-4	1-0055-06162	23157-99112	SCREW	3		
1-5	0-35926-0060		RETAINER	1		
1-6	1-33951-0610	23116-99011	PACKING	2		
1-7	1-33926-0750	23170-99007	RETAINER	1		
1-8	1-33926-0730	23170-99005	RETAINER	1		
1-9	1-33923-0810	23115-99005	COLLAR	1		
1-10	1-33926-0770	23170-99008	RETAINER	1		
2	0-35200-0070	23102-99203	STATOR ASSY	1		
3	0-35310-0030	23119-99119	FRONT BRACKET CO	1		
3-1	0-0275-06852	23131-99110	BOLT	3		THROUGH BOLT
4	0-35411-0320	23151-99404	PULLEY	1		
4-1	1-33421-0510	23374-99001	FAN	1		
4-2	1-0330-16012	23155-99002	PLAIN WASHER	1		
4-3	1-0335-16002	23155-99003	SPRING WASHER	1		
4-4	0-0280-16022	23152-99006	NUT	1		
5	0-33120-0220	23111-99002	FIELD COIL CO	1		
7	0-35700-0150	23127-99404	R.BRACKET ASSY	1		INC 7-1,7-2,7-4~7-15,7-17,8
7-1	0-35710-0180	23128-99211	REAR BRACKET CO	1		INCLUDING 7-4
7-2	0-33730-2190	23109-99109	RECTIFIER ASSY	1		
7-3	0-0080-05102	23131-99107	BOLT	1		
7-4	1-09202-0070	23120-99114	ROLLER BEARING	1		REAR
7-5	1-33943-0770	23166-99003	INSULATE BUSH	2		
7-6	1-33786-0420	23124-99010	TERMINAL PLATE	1		
7-7	0-0056-05162	23157-99113	SCREW	2		
7-8	1-33928-0220	23369-99103	STOPPER	1		
7-9	1-09102-0010	23124-99011	INSULATE PLATE	1		
7-10	0-0055-05252	23157-99114	SCREW	1		
7-11	1-33928-0230	23369-99104	STOPPER	1		
7-12	1-33943-0760	23166-99002	INSULATE BUSH	1		
7-13	0-0080-05502	23131-99108	BOLT	1		
7-14	0-0080-05452	23131-99109	BOLT	1		
7-15	1-0550-05013	23124-99012	TERMINAL PLATE	1		LEAD WIRE NOT INCLUDED
7-16	0-0056-05452	23157-99115	SCREW	3		
7-17	1-33785-2690		LEAD WIRE CO	1		
8	7-44000-0907	23500-99013	REGULATOR	1		INCLUDING 7-6,7-7

0-35000-3432 ALTERNATOR

OEM CUSTOMER	ISUZU	OEM PARTS NUMBER	1-81200387-2
NOMINAL OUT PUT	24V 40A	SUPPLY TERM	93.05~
WEIGHT	10 kg	REGULATOR	0-44000-0841
ENGINE MODEL	6SD1MTC		
VEHICLE	MARINE		
DESIGN RECORD	3430 → 3431 ADDING GUM CAP TO R TERMINAL 3431 → 3432 E TERMINAL SPECIFICATION CHANGE		
NOTE	V15 TYPE V BELT DOUBLE PEAKS FLOATED EARTH FOR INSULATION (MARINE TYPE) CLOCKWISE ROTATION		

0-35000-3432 ALTERNATOR (MAKER PART NO 1-81200387-2)

No	Parts Number	Maker Parts No	Description	Qty	List Price	Note
1	1-33100-1270	1-81221056-0	ROTOR ASSY	1		
1-1	1-0453-63057	1-81229514-0	BALL BEARING	1		FRONT
1-2	1-0416-04160	9-82215867-0	WOODRUFF KEY	1		
1-3	1-33923-0780	1-81229373-0	COLLAR	1		
1-4	1-0055-06162	1-81229469-0	SCREW	3		
1-5	0-35926-0060	1-81229513-0	RETAINER	1		
1-6	1-33951-0610	1-81229383-0	PACKING	1		
1-7	1-33926-0750	1-81229376-0	RETAINER	1		
1-8	1-33926-0760	1-81229377-0	RETAINER	1		
1-9	1-33923-0810	1-81229374-0	COLLAR	1		
1-10	1-09251-0440	1-81229384-0	PACKING	1		
2	1-33200-1230	1-81211101-0	STATOR ASSY	1		
3	0-35300-0030	1-81213075-0	F.BRACKET ASSY	1		INC 1-1,1-4~1-8,1-10
3-1	0-0275-06802	1-81229382-0	BOLT	3		THROUGH BOLT
4	0-35411-0102	1-81222078-0	PULLEY	1		
4-1	0-33421-0491	1-81223014-0	FAN	1		
4-2	1-0330-16012	1-81229478-0	PLAIN WASHER	1		
4-3	1-0335-16002	1-81229479-0	SPRING WASHER	1		
4-4	0-0280-16022	1-81229474-0	NUT	1		
5	0-33120-0220	1-81212003-0	FIELD COIL CO	1		
7	0-35700-0640	1-81214329-0	R.BRACKET ASSY	1		INCLUDING 7-1~8-3
7-1	0-35710-0270	1-81214282-0	REAR BRACKET CO	1		INCLUDING 7-3
7-2	0-33730-2380	1-81219105-0	RECTIFIER ASSY	1		
7-3	1-09202-0070	1-81229381-0	ROLLER BEARING	1		REAR
7-4	1-33943-0980	8-94173061-0	INSULATE BUSH	3		
7-5	1-33931-0021	1-81229122-0	CLIP	3		
7-6	1-35340-0010	1-81229622-0	CONDENSER ASSY	1		
7-7	1-25943-1400	1-81229617-0	INSULATE BUSH	2		
7-8	1-35784-0010	1-81229624-0	CONNECT BAR	1		
7-9	1-47941-0420	1-81229182-0	INSULATE WASHER	6		
7-10	1-33928-0220	1-81229619-0	STOPPER	1		
7-12	1-33943-0720	1-81229138-0	INSULATE BUSH	2		
7-13	1-33928-0230	1-81229620-0	STOPPER	1		
7-14	1-33943-0760	5-81229169-0	INSULATE BUSH	1		
7-15	1-33785-2690	1-81229618-0	LEAD WIRE CO	1		
7-16	0-35901-0160	1-81229702-0	BOLT	1		
8	0-44000-0841	1-81260006-1	REGULATOR	1		
8-2	1-33953-0240	1-81229621-0	GUM BUSH	1		
8-3	1-44761-0540	1-81214284-0	COVER	1		

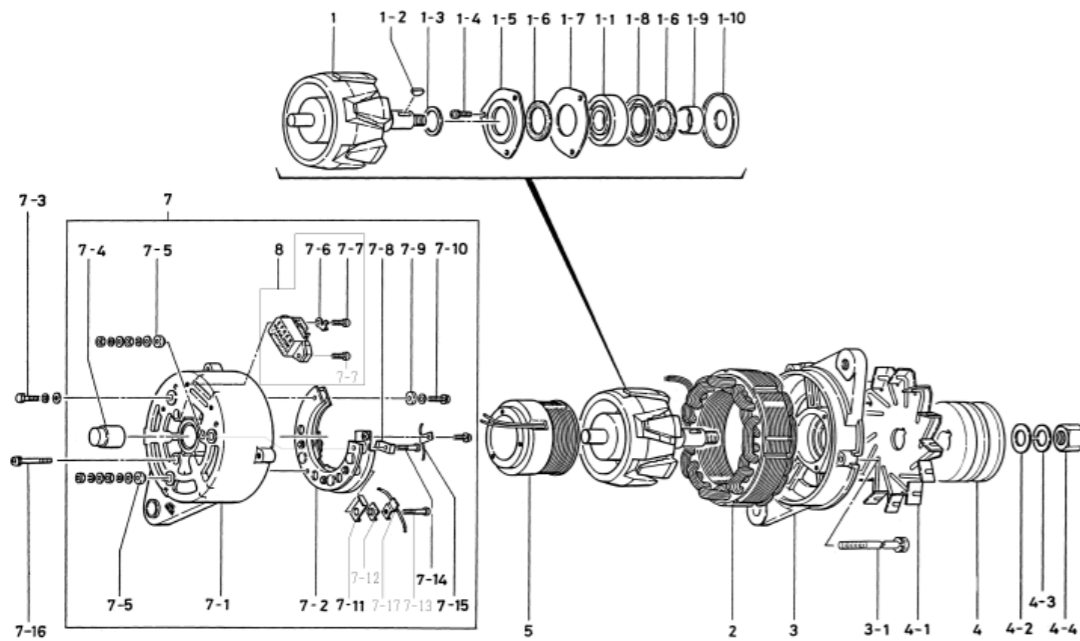


0-35000-3470 ALTERNATOR

OEM CUSTOMER	KOMATSU	OEM PARTS NUMBER	600-821-7420
NOMINAL OUT PUT	24V 35A	SUPPLY TERM	86.06~
WEIGHT	10kg	REGULATOR	BUILT-IN
ENGINE MODEL	S6D105		
VEHICLE	WA300-1V1		
DESIGN RECORD			
NOTE	#17 TYPE V BELT DOUBLE PEAKS (QUENCHED) CLOCKWISE ROTATION INTEGRATED TYPE OF 0-35000-0310, 3020 PULLEY IS DIFFERENT FROM 0-35000-3020		

0-35000-3470 ALTERNATOR (MAKER PART NO 600-821-7420)

No	Parts Number	Maker Parts No	Description	Qty	List Price	Note
1	1-33100-1270		ROTOR ASSY	1		
1-1	1-0456-63057		BALL BEARING	1		FRONT
1-2	1-0416-04160		WOODRUFF KEY	1		
1-3	1-33923-0780		COLLAR	1		
1-4	1-0055-06162		SCREW	3		
1-5	0-35926-0060		RETAINER	1		
1-6	1-33951-0610		PACKING	2		
1-7	1-33926-0750		RETAINER	1		
1-8	1-33926-0730		RETAINER	1		
1-9	1-33923-0810		COLLAR	1		
1-10	1-33926-0770		RETAINER	1		
2	1-33200-1230		STATOR ASSY	1		
3	1-33310-1060		FRONT BRACKET CO	1		
3-1	0-0275-06852		BOLT	3		THROUGH BOLT
4	0-35411-0360		PULLEY	1		
4-1	1-33421-0510		FAN	1		
4-2	1-0330-16022		PLAIN WASHER	1		
4-3	1-0335-16002		SPRING WASHER	1		
4-4	1-09006-0210		NUT	1		
5	0-33120-0220		FIELD COIL CO	1		
7	0-35700-1130		R.BRACKET ASSY	1		INC 7-1,7-2,7-4~7-15,7-17,8
7-1	0-33710-2870		REAR BRACKET CO	1		INCLUDING 7-4
7-2	0-33730-2190		RECTIFIER ASSY	1		
7-3	0-0080-05102		BOLT	1		
7-4	1-09202-0070		ROLLER BEARING	1		REAR
7-5	1-33943-0770		INSULATE BUSH	2		
7-6	1-33786-0420		TERMINAL PLATE	1		
7-7	0-0056-05162		SCREW	2		
7-8	1-33928-0220		STOPPER	1		
7-9	1-09102-0010		INSULATE PLATE	1		
7-10	0-0055-05252		SCREW	1		
7-11	1-33928-0230		STOPPER	1		
7-12	1-33943-0760		INSULATE BUSH	1		
7-13	0-0080-05502		BOLT	1		
7-14	0-0080-05452		BOLT	1		
7-15	1-0550-05013		TERMINAL PLATE	1		LEAD WIRE NOT INCLUDED
7-16	0-0056-05452		SCREW	3		
7-17	1-33785-2690		LEAD WIRE CO	1		
8	7-44000-0907		REGULATOR	1		INCLUDING 7-6,7-7



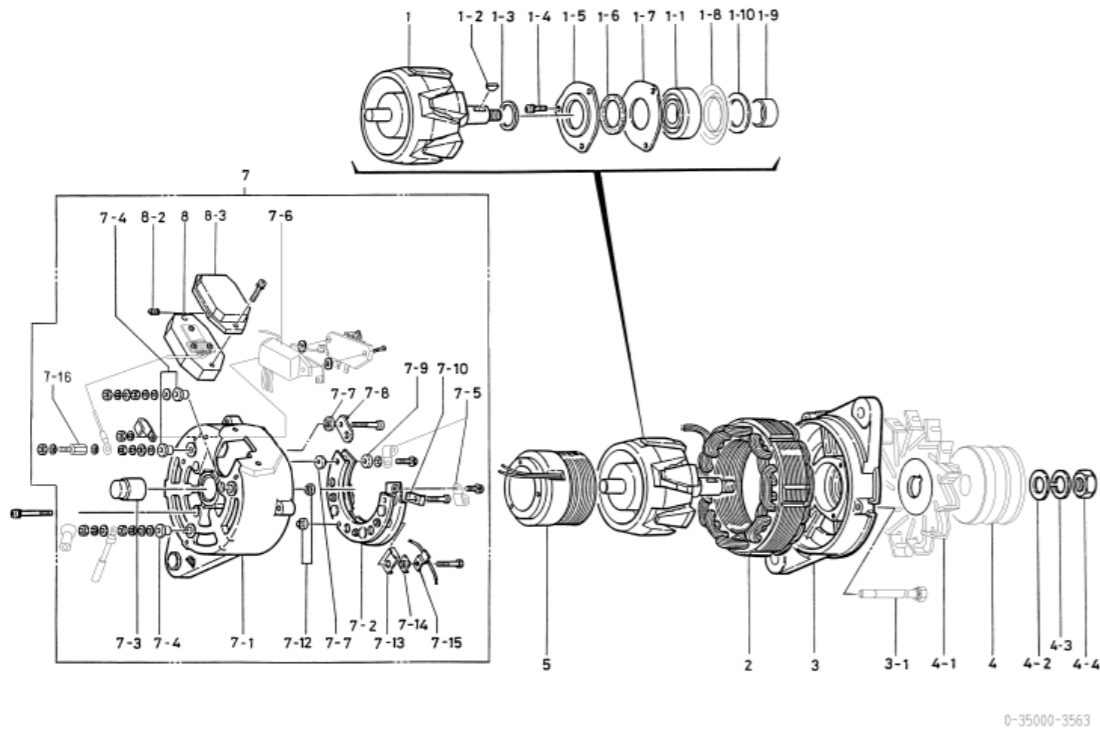
0-35000-3470

0-35000-3563 ALTERNATOR

OEM CUSTOMER	ISUZU	OEM PARTS NUMBER	1-81200422-1
NOMINAL OUT PUT	24V 40A	SUPPLY TERM	93.05~
WEIGHT	10kg	REGULATOR	BUILT-IN
ENGINE MODEL	UM6RB1, 6RB1MTC-2		
VEHICLE	MARINE		
DESIGN RECORD	3560 → 3561 ADDING GUM CAP 3561 → 3563 E TERMINAL SPECIFICATION CHANGE		
NOTE	V15 TYPE V BELT DOUBLE PEAKS FLOATED EARTH FOR INSULATION (MARINE TYPE) COUNTERCLOCKWISE ROTATION		

0-35000-3563 ALTERNATOR (MAKER PART NO 1-81200422-1)

No	Parts Number	Maker Parts No	Description	Qty	List Price	Note
1	1-33100-1270	1-81221056-0	ROTOR ASSY	1		
1-1	1-0453-63057	1-81229514-0	BALL BEARING	1		FRONT
1-2	1-0416-04160	9-82215867-0	WOODRUFF KEY	1		
1-3	1-33923-0780	1-81229373-0	COLLAR	1		
1-4	1-0055-06162	1-81229469-0	SCREW	3		
1-5	0-35926-0060	1-81229513-0	RETAINER	1		
1-6	1-33951-0610	1-81229383-0	PACKING	1		
1-7	1-33926-0750	1-81229376-0	RETAINER	1		
1-8	1-33926-0760	1-81229377-0	RETAINER	1		
1-9	1-33923-0810	1-81229374-0	COLLAR	1		
1-10	1-09251-0440	1-81229384-0	PACKING	1		
2	1-33200-1230	1-81211101-0	STATOR ASSY	1		
3	0-35300-0030	1-81213075-0	F.BRACKET ASSY	1		INC 1-1,1-4~1-8,1-10
3-1	0-0275-06802	1-81229382-0	BOLT	3		THROUGH BOLT
4	0-35411-01002	1-81222078-0	PULLEY	1		
4-1	0-35421-0100	1-81223015-0	FAN	1		
4-2	1-0330-16012	1-81229478-0	PLAIN WASHER	1		
4-3	1-0335-16002	1-81229479-0	SPRING WASHER	1		
4-4	0-0280-16022	1-81229474-0	NUT	1		
5	0-33120-0220	1-81212003-0	FIELD COIL CO	1		
7	0-35700-0640	1-81214329-0	R.BRACKET ASSY	1		INCLUDING 7-1~8-3
7-1	0-35710-0270	1-81214282-0	REAR BRACKET CO	1		INCLUDING 7-3
7-2	0-33730-2380	1-81219105-0	RECTIFIER ASSY	1		
7-3	1-09202-0070	1-81229381-0	ROLLER BEARING	1		REAR
7-4	1-33943-0980	8-94173061-0	INSULATE BUSH	3		
7-5	1-33931-0021	1-81229122-0	CLIP	3		
7-6	1-35340-0010	1-81229622-0	CONDENSER ASSY	1		
7-7	1-25943-1400	1-81229617-0	INSULATE BUSH	2		
7-8	1-35784-0010	1-81229624-0	CONNECT BAR	1		
7-9	1-47941-0420	1-81229182-0	INSULATE WASHER	6		
7-10	1-33928-0220	1-81229619-0	STOPPER	1		
7-12	1-33943-0720	1-81229138-0	INSULATE BUSH	2		
7-13	1-33928-0230	1-81229620-0	STOPPER	1		
7-14	1-33943-0760	5-81229169-0	INSULATE BUSH	1		
7-15	1-33785-2690	1-81229618-0	LEAD WIRE CO	1		
7-16	0-35901-0160	1-81229702-0	BOLT	1		
8	0-44000-0841	1-81260006-1	REGULATOR	1		
8-2	1-33953-0240	1-81229621-0	GUM BUSH	1		
8-3	1-44761-0540	1-81214284-0	COVER	1		



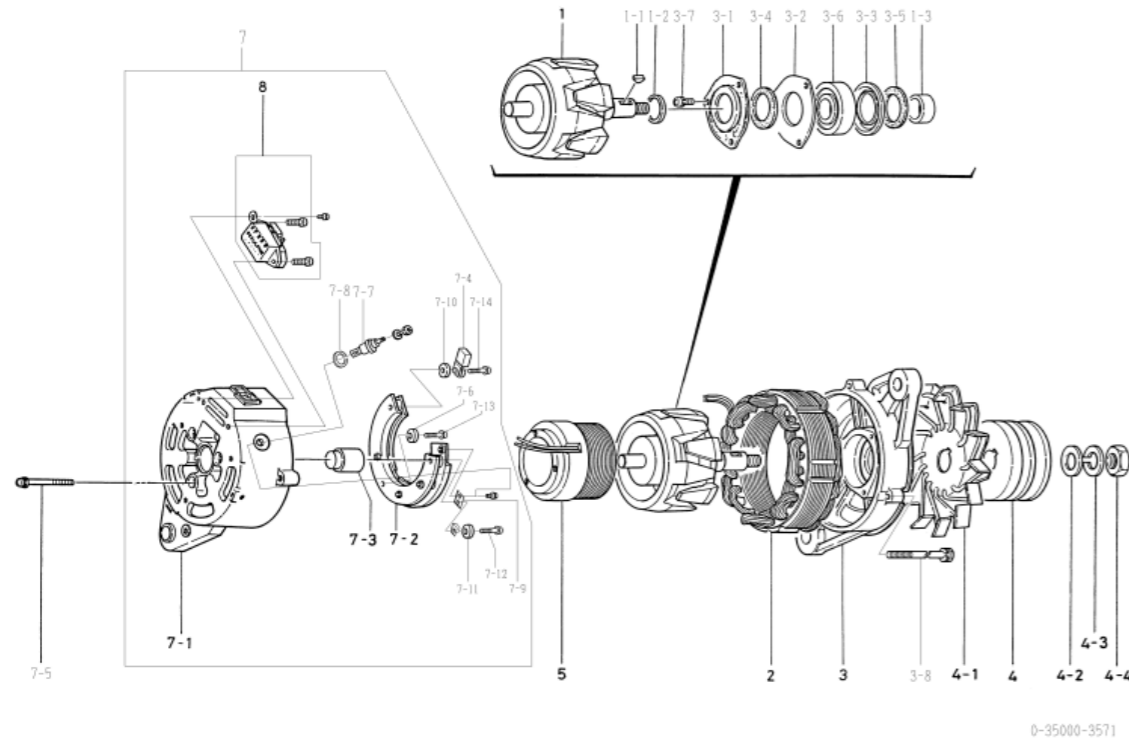
0-35000-3563

0-35000-3571 ALTERNATOR

OEM CUSTOMER	ISUZU	OEM PARTS NUMBER	1-81200400-1
NOMINAL OUT PUT	24V 40A	SUPPLY TERM	89.03~
WEIGHT	9.3kg	REGULATOR	BUILT-IN
ENGINE MODEL	6BD1, OTHERS		
VEHICLE	CX, CV, EX, OTHERS		
DESIGN RECORD	3570 → 3571 R.BRACKET, RECTIFIER, REGULATOR CHANGED		
NOTE	V15 TYPE V BELT DOUBLE PEAKS CLOCKWISE ROTATION		

0-35000-3571 ALTERNATOR (MAKER PART NO 1-81200400-1)

No	Parts Number	Maker Parts No	Description	Qty	List Price	Note
1	1-33100-1270	1-81221056-0	ROTOR ASSY	1		
1-1	1-0416-04160	9-82215867-0	WOODRUFF KEY	1		
1-2	1-33923-0780	1-81229373-0	COLLAR	1		
1-3	1-33923-0810	1-81229374-0	COLLAR	1		
2	1-33200-1210	1-81211062-0	STATOR ASSY	1		
3	1-35311-0010	1-81213086-0	FRONT BRACKET	1		
3-1	0-35926-0060	1-81229513-0	RETAINER	1		
3-2	1-33926-0750	1-81229376-0	RETAINER	1		
3-3	1-33926-0760	1-81229377-0	RETAINER	1		
3-4	1-33951-0610	1-81229383-0	PACKING	1		
3-5	1-09251-0440	1-81229384-0	PACKING	1		
3-6	1-0453-63057	1-81229514-0	BALL BEARING	1		FRONT
3-7	1-0055-06162	1-81229469-0	SCREW	3		
3-8	0-0275-06802	1-81229382-0	BOLT	3		THROUGH BOLT
4	1-35411-0100	1-81222055-0	PULLEY	1		
4-1	1-33421-0490	1-81223005-0	FAN	1		
4-2	1-0330-16012	1-81229478-0	PLAIN WASHER	1		
4-3	1-0335-16002	1-81229479-0	SPRING WASHER	1		
4-4	0-0280-16022	1-81229474-0	NUT	1		
5	0-33120-0220	1-81212003-0	FIELD COIL CO	1		
7	0-35700-0311	1-81214320-0	R.BRACKET ASSY	1		INC 7-1~7-4,7-6~8
7-1	0-35710-0301	1-81214321-0	REAR BRACKET CO	1		INCLUDING 7-3
7-2	0-35730-0011	1-81219056-1	RECTIFIER ASSY	1		
7-3	1-09202-0070	1-81229381-0	ROLLER BEARING	1		REAR
7-4	0-09170-1310	1-81229539-0	CONDENSER	1		
7-5	0-0056-05402	1-81229473-0	SCREW	3		
7-6	1-09102-0010	9-82115344-0	INSULATE PLATE	1		
7-7	0-35901-0020	1-81229591-0	BOLT	1		
7-8	0-35953-0040	1-81229592-0	GUM BUSH	1		
7-9	0-35922-0020	1-81229593-0	PLATE	1		
7-10	1-31921-0020	1-81129031-0	WASHER	1		
7-11	1-33943-0720	1-81229138-0	INSULATE BUSH	1		
7-12	0-0056-05282	1-81229684-0	SCREW	1		
7-13	0-0056-05252	1-81229476-0	SCREW	1		
7-14	0-0055-05302		SCREW	1		
8	0-35719-0080	1-81270001-1	REGULATOR ASSY	1		

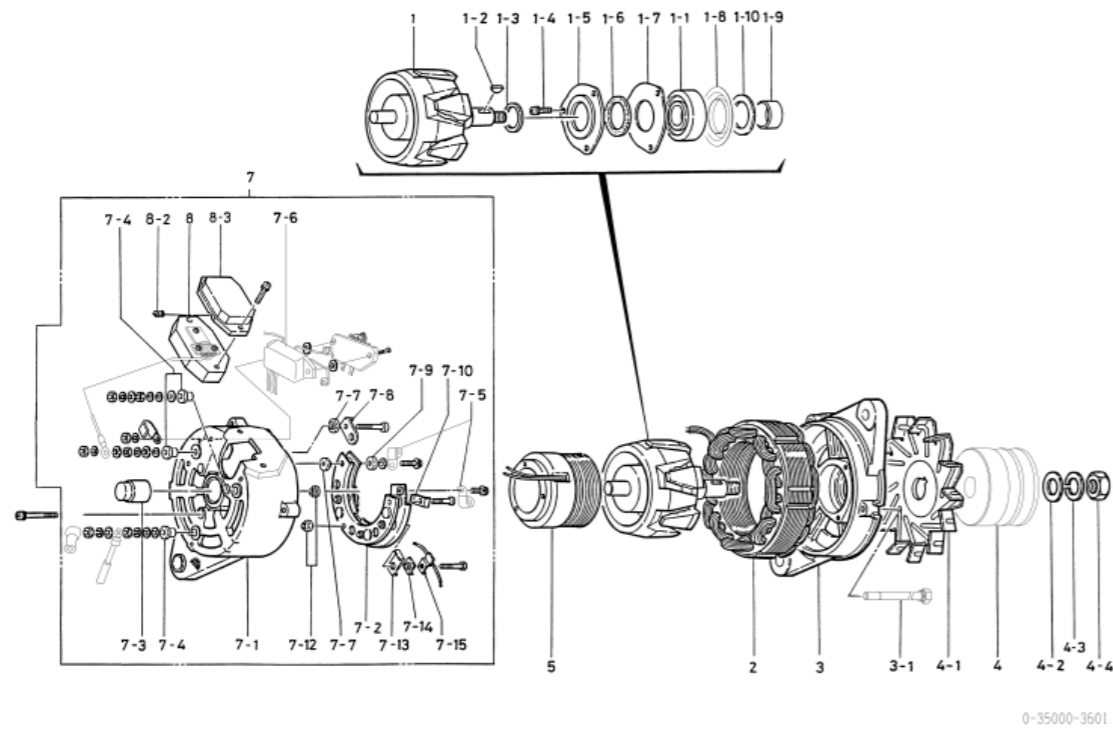


0-35000-3601 ALTERNATOR

OEM CUSTOMER	ISUZU	OEM PARTS NUMBER	1-81200398-0
NOMINAL OUT PUT	24V 40A	SUPPLY TERM	87.12~
WEIGHT	10kg	REGULATOR	0-44000-0841
ENGINE MODEL	UM6RB1, 6RB1MTC		
VEHICLE	MARINE		
DESIGN RECORD	3600 → 3601 ADDING GUM CAP TO R TERMINAL		
NOTE	V15 TYPE V BELT DOUBLE PEAKS FLOATED EARTH FOR INSULATION (MARINE TYPE) CLOCKWISE ROTATION		

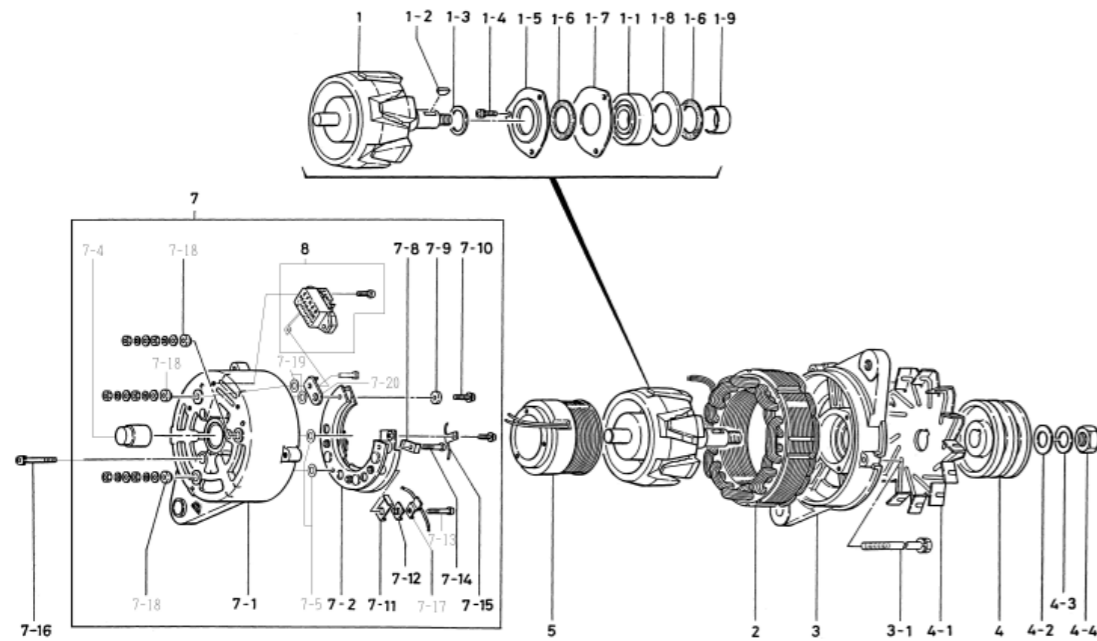
0-35000-3601 ALTERNATOR (MAKER PART NO 1-81200398-0)

No	Parts Number	Maker Parts No	Description	Qty	List Price	Note
1	1-33100-1270	1-81221056-0	ROTOR ASSY	1		
1-1	1-0453-63057	1-81229514-0	BALL BEARING	1		FRONT
1-2	1-0416-04160	9-82215867-0	WOODRUFF KEY	1		
1-3	1-33923-0780	1-81229373-0	COLLAR	1		
1-4	1-0055-06162	1-81229469-0	SCREW	3		
1-5	0-35926-0060	1-81229513-0	RETAINER	1		
1-6	1-33951-0610	1-81229383-0	PACKING	1		
1-7	1-33926-0750	1-81229376-0	RETAINER	1		
1-8	1-33926-0760	1-81229377-0	RETAINER	1		
1-9	1-33923-0810	1-81229374-0	COLLAR	1		
1-10	1-09251-0440	1-81229384-0	PACKING	1		
2	1-33200-1230	1-81211101-0	STATOR ASSY	1		
3	0-35311-0011	1-81213075-0	FRONT BRACKET	1		
3-1	0-0275-06802	1-81229382-0	BOLT	3		THROUGH BOLT
4	0-35411-0420	1-81222079-0	PULLEY	1		
4-1	0-33421-0491	1-81223014-0	FAN	1		
4-2	1-0330-16012	1-81229478-0	PLAIN WASHER	1		
4-3	1-0335-16002	1-81229479-0	SPRING WASHER	1		
4-4	0-0280-16022	1-81229474-0	NUT	1		
5	0-33120-0220	1-81212003-0	FIELD COIL CO	1		
7	0-35700-0390	1-81214283-0	R.BRACKET ASSY	1		INCLUDING 7-1~8-3
7-1	0-35710-0270	1-81214282-0	REAR BRACKET CO	1		INCLUDING 7-3
7-2	0-33730-2380	1-81219105-0	RECTIFIER ASSY	1		
7-3	1-09202-0070	1-81229381-0	ROLLER BEARING	1		REAR
7-4	1-33943-0980	8-94173061-0	INSULATE BUSH	3		
7-5	1-33931-0021	1-81229122-0	CLIP	3		
7-6	1-35340-0010	1-81229622-0	CONDENSER ASSY	1		
7-7	1-25943-1400	1-81229617-0	INSULATE BUSH	2		
7-8	1-35784-0010	1-81229624-0	CONNECT BAR	1		
7-9	1-47941-0420	1-81229182-0	INSULATE WASHER	6		
7-10	1-33928-0220	1-81229619-0	STOPPER	1		
7-12	1-33943-0720	1-81229138-0	INSULATE BUSH	2		
7-13	1-33928-0230	1-81229620-0	STOPPER	1		
7-14	1-33943-0760	5-81229169-0	INSULATE BUSH	1		
7-15	1-33785-2690	1-81229618-0	LEAD WIRE CO	1		
8	0-44000-0841	1-81260006-1	REGULATOR	1		
8-2	1-33953-0240	1-81229621-0	GUM BUSH	1		
8-3	1-44761-0540	1-81214284-0	COVER	1		



0-35000-3790 ALTERNATOR

OEM CUSTOMER	KOMATSU	OEM PARTS NUMBER	600-821-7360
NOMINAL OUT PUT	24V 35A	SUPPLY TERM	88.12~
WEIGHT	10kg	REGULATOR	BUILT-IN
ENGINE MODEL	SA6D132, OTHERS		
VEHICLE	6M132A-1, OTHERS		
DESIGN RECORD			
NOTE	2M TYPE V BELT DOUBLE PEAKS FLOATED EARTH FOR INSULATION (MARINE TYPE) BOTH DIRECTION ROTATION PULLEY IS DIFFERENT FROM 0-35000-3810		



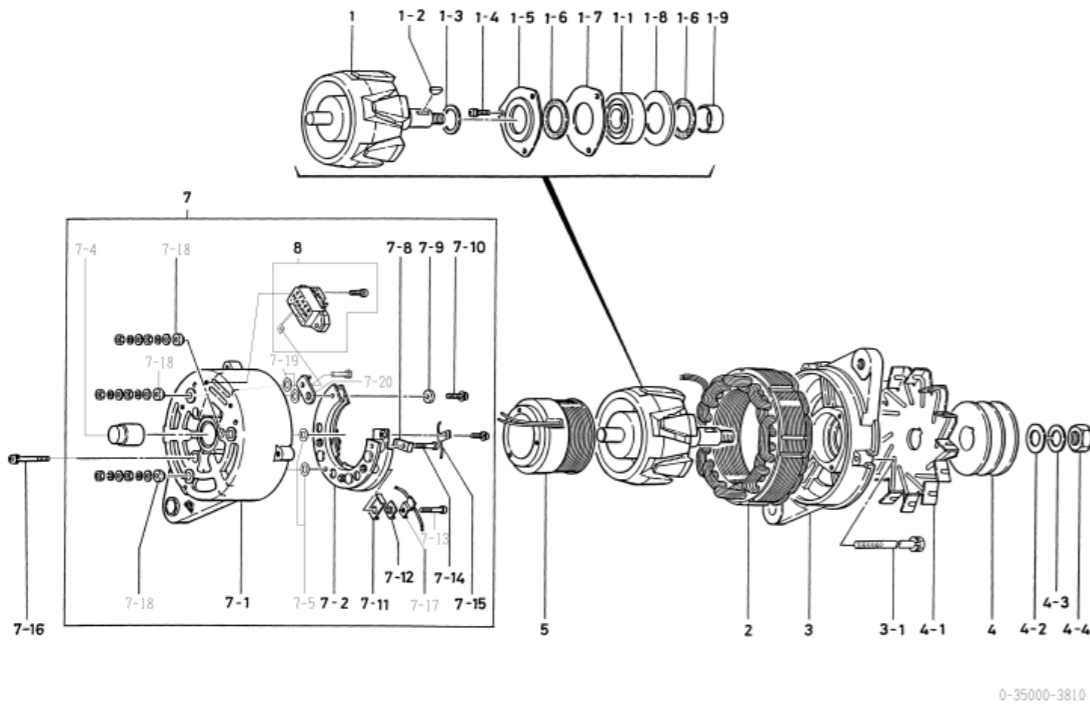
0-35000-3790

0-35000-3790 ALTERNATOR (MAKER PART NO 600-821-7360)

No	Parts Number	Maker Parts No	Description	Qty	List Price	Note
1	1-33100-1270		ROTOR ASSY	1		
1-1	1-0456-63057		BALL BEARING	1		FRONT
1-2	1-0416-04160		WOODRUFF KEY	1		
1-3	1-33923-0780		COLLAR	1		
1-4	1-0055-06162		SCREW	3		
1-5	0-35926-0060		RETAINER	1		
1-6	1-33951-0610		PACKING	2		
1-7	1-33926-0750		RETAINER	1		
1-8	1-33926-0730		RETAINER	1		
1-9	1-33923-0810		COLLAR	1		
2	1-33200-1230		STATOR ASSY	1		
3	1-33310-1061		FRONT BRACKET CO	1		
3-1	0-0275-06852		BOLT	3		THROUGH BOLT
4	0-35411-0191		PULLEY	1		
4-1	0-35420-0010		FAN CO	1		
4-2	1-0330-16012		PLAIN WASHER	1		
4-3	1-0335-16002		SPRING WASHER	1		
4-4	0-0280-16022		NUT	1		
5	0-33120-0220		FIELD COIL CO	1		
7	0-35700-0102		R.BRACKET ASSY	1		INC 7-1~7-15,7-17~8
7-1	0-35710-0111		REAR BRACKET CO	1		INCLUDING 7-4
7-2	0-33730-2190		RECTIFIER ASSY	1		
7-4	1-09202-0070		ROLLER BEARING	1		REAR
7-5	1-33943-0720		INSULATE BUSH	2		
7-8	1-33928-0220		STOPPER	1		
7-9	1-09102-0010		INSULATE PLATE	1		
7-10	0-0056-05352		SCREW	1		
7-11	1-33928-0230		STOPPER	1		
7-12	1-33943-0760		INSULATE BUSH	1		
7-13	0-09001-5250		BOLT	1		
7-14	0-09001-5240		BOLT	1		
7-15	1-0550-05013		TERMINAL PLATE	1		LEAD WIRE NOT INCLUDED
7-16	0-0056-05452		SCREW	3		
7-17	1-33785-2690		LEAD WIRE CO	1		
7-18	1-33943-0770		INSULATE BUSH	3		
7-19	1-25943-1400		INSULATE BUSH	2		
7-20	1-35784-0010		CONNECT BAR	1		
8	7-44000-0908		REGULATOR	1		

0-35000-3810 ALTERNATOR

OEM CUSTOMER	KOMATSU	OEM PARTS NUMBER	600-821-7440
NOMINAL OUT PUT	24V 35A	SUPPLY TERM	89.07~
WEIGHT	10kg	REGULATOR	BUILT-IN
ENGINE MODEL	SA6D95L		
VEHICLE	6M95A		
DESIGN RECORD			
NOTE	SPECIAL M TYPE V BELT DOUBLE PEAKS FLOATED EARTH FOR INSULATION (MARINE TYPE) BOTH DIRECTION ROTATION PULLEY IS DIFFERENT FROM 0-35000-3790, 3791		



0-35000-3810

0-35000-3810 ALTERNATOR (MAKER PART NO 600-821-7440)

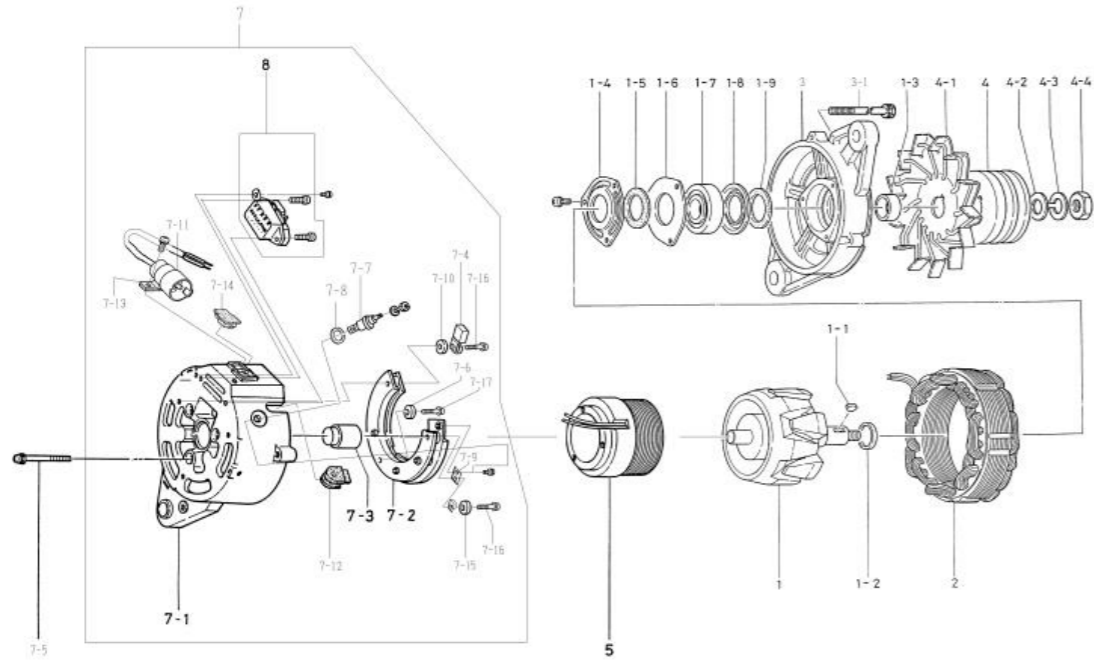
No	Parts Number	Maker Parts No	Description	Qty	List Price	Note
1	1-33100-1270		ROTOR ASSY	1		
1-1	1-0456-63057		BALL BEARING	1		FRONT
1-2	1-0416-04160		WOODRUFF KEY	1		
1-3	1-33923-0780		COLLAR	1		
1-4	1-0055-06162		SCREW	3		
1-5	0-35926-0060		RETAINER	1		
1-6	1-33951-0610		PACKING	2		
1-7	1-33926-0750		RETAINER	1		
1-8	1-33926-0730		RETAINER	1		
1-9	1-33923-0810		COLLAR	1		
2	1-33200-1230		STATOR ASSY	1		
3	1-33310-1061		FRONT BRACKET CO	1		
3-1	0-0275-06852		BOLT	3		THROUGH BOLT
4	0-35411-0490		PULLEY	1		
4-1	0-35420-0010		FAN CO	1		
4-2	1-0330-16012		PLAIN WASHER	1		
4-3	1-0335-16002		SPRING WASHER	1		
4-4	0-0280-16022		NUT	1		
5	0-33120-0220		FIELD COIL CO	1		
7	0-35700-0102		R.BRACKET ASSY	1		INC 7-1~7-15,7-17~8
7-1	0-35710-0111		REAR BRACKET CO	1		INCLUDING 7-4
7-2	0-33730-2190		RECTIFIER ASSY	1		
7-4	1-09202-0070		ROLLER BEARING	1		REAR
7-5	1-33943-0720		INSULATE BUSH	2		
7-8	1-33928-0220		STOPPER	1		
7-9	1-09102-0010		INSULATE PLATE	1		
7-10	0-0056-05352		SCREW	1		
7-11	1-33928-0230		STOPPER	1		
7-12	1-33943-0760		INSULATE BUSH	1		
7-13	0-09001-5250		BOLT	1		
7-14	0-09001-5240		BOLT	1		
7-15	1-0550-05013		TERMINAL PLATE	1		LEAD WIRE NOT INCLUDED
7-16	0-0056-05452		SCREW	3		
7-17	1-33785-2690		LEAD WIRE CO	1		
7-18	1-33943-0770		INSULATE BUSH	3		
7-19	1-25943-1400		INSULATE BUSH	2		
7-20	1-35784-0010		CONNECT BAR	1		
8	7-44000-0908		REGULATOR	1		

0-35000-3840 ALTERNATOR

OEM CUSTOMER	ISUZU	OEM PARTS NUMBER	1-81200442-0
NOMINAL OUT PUT	24V 40A	SUPPLY TERM	90.01~
WEIGHT	9.3kg	REGULATOR	BUILT-IN
ENGINE MODEL	6SD1TC		
VEHICLE	CX, 980(UXM23V)		
DESIGN RECORD			
NOTE	V 15 TYPE V BELT DOUBLE PEAKS (QUENCHED) CLOCKWISE ROTATION PULLEY IS DIFFERENT FROM 0-35000-3613		

0-35000-3840 ALTERNATOR (MAKER PART NO 1-81200442-0)

No	Parts Number	Maker Parts No	Description	Qty	List Price	Note
1	1-33100-1270	1-81221056-0	ROTOR ASSY	1		
1-1	1-0416-04160	9-82215867-0	WOODRUFF KEY	1		
1-2	1-33923-0780	1-81229373-0	COLLAR	1		
1-3	1-33923-0810	1-81229374-0	COLLAR	1		
1-4	0-35926-0060	1-81229513-0	RETAINER	1		
1-5	1-33951-0610	1-81229383-0	PACKING	1		
1-6	1-33926-0750	1-81229376-0	RETAINER	1		
1-7	1-0456-63057	1-81229514-0	BALL BEARING	1		FRONT
1-8	1-33926-0760	1-81229377-0	RETAINER	1		
1-9	1-09251-0440	1-81229384-0	PACKING	1		
2	1-33200-1210	1-81211062-0	STATOR ASSY	1		
3	1-35311-0010	1-81213086-0	FRONT BRACKET	1		
3-1	0-0275-06802	1-81229382-0	BOLT	3		THROUGH BOLT
4	0-35411-0530	1-81222091-0	PULLEY	1		
4-1	1-33421-0490	1-81223005-0	FAN	1		
4-2	1-0330-16012	1-81229478-0	PLAIN WASHER	1		
4-3	1-0335-16002	1-81229479-0	SPRING WASHER	1		
4-4	0-0280-16022	1-81229474-0	NUT	1		
5	0-33120-0220	1-81212003-0	FIELD COIL CO	1		
7	0-35700-0412	1-81214316-0	R.BRACKET ASSY	1		INC 7-1~7-4,7-6~8
7-1	0-35710-0452	1-81214317-0	REAR BRACKET CO	1		INCLUDING 7-3
7-2	0-35730-0011	1-81219056-0	RECTIFIER ASSY	1		
7-3	1-09202-0070	1-81229381-0	ROLLER BEARING	1		REAR
7-4	0-09170-1310	1-81229539-0	CONDENSER	1		
7-5	0-0056-05402	1-81229473-0	SCREW	3		
7-6	1-09102-0010	9-82115344-0	INSULATE PLATE	1		
7-7	0-35901-0020	1-81229591-0	BOLT	1		
7-8	0-35953-0040	1-81229592-0	GUM BUSH	1		
7-9	0-35922-0020	1-81229593-0	PLATE	1		
7-10	1-31921-0020	1-81129031-0	WASHER	1		
7-11	0-33780-0720	1-81229540-0	TERMINAL ASSY	1		NOT INCLUDE 7-13
7-12	1-23953-0050	1-81229541-0	GUM BUSH	1		
7-13	0-35927-0010	1-81217053-0	HOLDER	1		
7-14	0-35953-0010	1-81229518-0	GUM BUSH	1		
7-15	1-33943-0720	1-81229138-0	INSULATE BUSH	1		
7-16	0-0055-05282	1-81229684-0	SCREW	2		
7-17	0-0056-05252	1-81229476-0	SCREW	1		
8	0-35719-0080	1-81270001-1	REGULATOR ASSY	1		



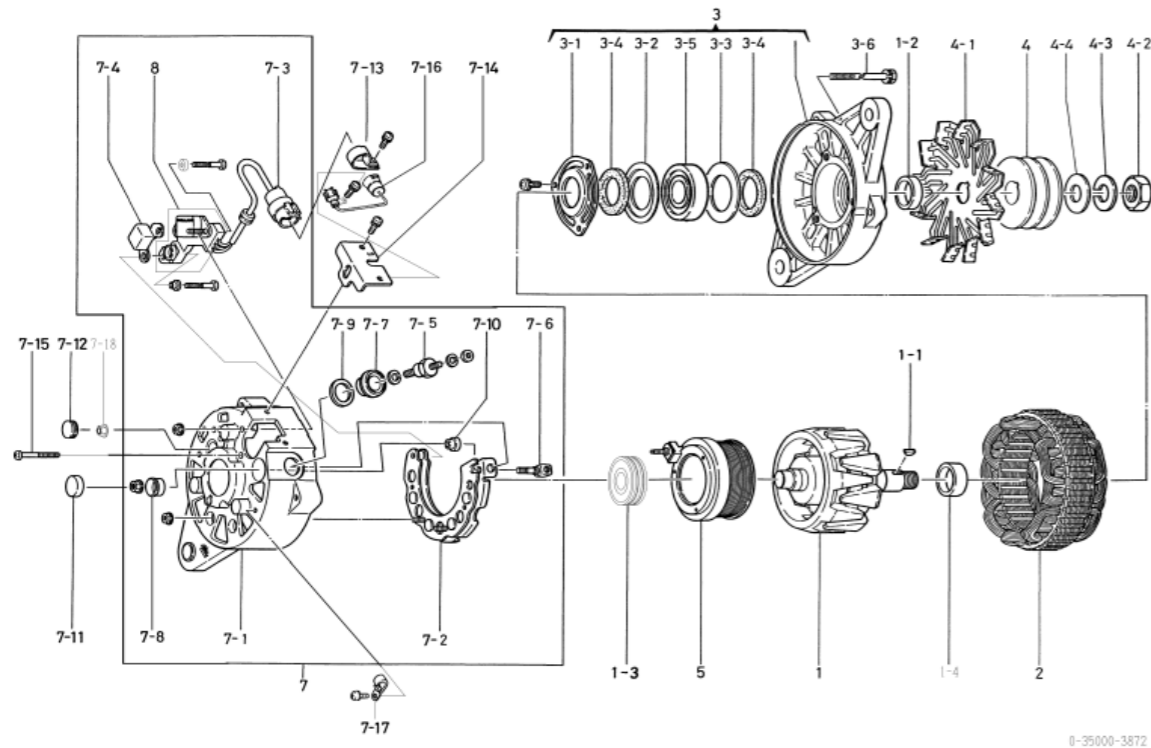
0-35000-3840

0-35000-3872 ALTERNATOR

OEM CUSTOMER	ISUZU	OEM PARTS NUMBER	1-81200471-0
NOMINAL OUT PUT	24V 40A	SUPPLY TERM	96.07~
WEIGHT	9 kg	REGULATOR	BUILT-IN
ENGINE MODEL	4BG1, OTHERS		
VEHICLE	MOTOR, OTHERS		
DESIGN RECORD	3871 → 3872 FRONT BRACKET ASM, COLLAR CHANGED		
NOTE	V 15 TYPE V BELT DOUBLE PEAKS CLOCKWISE ROTATION		

0-35000-3872 ALTERNATOR (MAKER PART NO 1-81200471-0)

No	Parts Number	Maker Parts No	Description	Qty	List Price	Note
1	0-35100-0180	1-81211105-0	ROTOR ASSY	1		
1-1	1-0416-04160	9-82215867-0	WOODRUFF KEY	1		
1-2	1-33923-0790	1-81229642-0	COLLAR	1		
1-3	1-09201-0460	1-81229393-0	BALL BEARING	1		REAR
1-4	0-35923-0180	1-81229737-0	COLLAR	1		
2	0-35200-0350	1-81211106-1	STATOR ASSY	1		
3	0-35300-0250	1-81213122-0	F.BRACKET ASSY	1		INCLUDING 3-1~3-5
3-1	0-35926-0070	1-81229643-0	RETAINER	1		
3-2	0-35922-0070	1-81229734-0	PLATE	1		
3-3	1-33926-0730	1-81229526-0	RETAINER	1		
3-4	0-35951-0060	1-81229644-0	PACKING	2		
3-5	0-09201-1040	1-81229735-0	BALL BEARING	1		FRONT
3-6	0-0275-06802	1-81229382-0	BOLT	3		THROUGH BOLT
4	1-35411-0100	1-81222055-0	PULLEY	1		
4-1	0-35421-0110	1-81223016-0	FAN	1		
4-2	0-0280-16022	1-81229474-0	NUT	1		
4-3	1-0335-16002	1-81229479-0	SPRING WASHER	1		
4-4	1-0330-16012	1-81229478-0	PLAIN WASHER	1		
5	0-35120-0110	1-81212011-0	FIELD COIL CO	1		
7	0-35700-0421	1-81214294-1	R.BRACKET ASSY	1		INCLUDING 7-1~7-10,8
7-1	0-35710-0481	1-81214295-1	REAR BRACKET CO	1		
7-2	0-35730-0270	1-81219107-0	RECTIFIER ASSY	1		
7-3	0-35780-0070	1-81229517-0	TERMINAL ASSY	1		GUM BUSH NOT INCLUDED
7-4	0-09170-2000	1-84132008-0	CONDENSER	1		
7-5	0-35901-0060	1-81229646-0	BOLT	1		
7-6	0-35901-0070	1-81229647-0	BOLT	1		
7-7	0-35943-0080	1-81229648-0	INSULATE BUSH	1		
7-8	0-35943-0090	1-81229649-0	INSULATE BUSH	1		
7-9	0-35951-0070	1-81229651-0	PACKING	1		
7-10	0-35943-0070	1-81229650-0	INSULATE BUSH	1		
7-11	0-09252-0570	1-81229652-0	GUM CAP	1		
7-12	0-09252-0580	1-81229653-0	GUM CAP	1		
7-13	0-35927-0010	1-81217053-0	HOLDER	1		
7-14	0-35761-0130	1-81214296-0	COVER	1		
7-15	0-0056-05452	1-81229477-0	SCREW	3		
7-16	0-35780-0470	8-97047732-0	TERMINAL ASSY	1		
7-17	0-35931-0020	1-81229516-0	CLIP	1		
7-18	0-33902-0080	8-98040690-0	NUT	1		
8	0-35719-0060	1-81260007-0	REGULATOR ASSY	1		

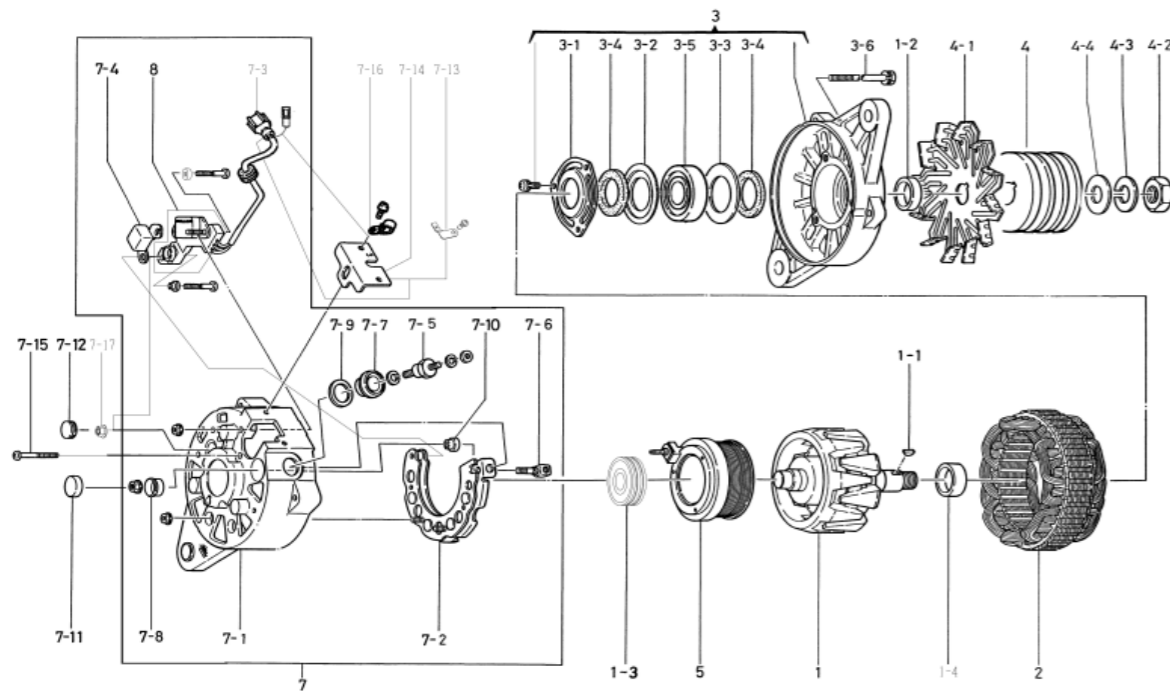


0-35000-3881 ALTERNATOR

OEM CUSTOMER	ISUZU	OEM PARTS NUMBER	1-81200479-0
NOMINAL OUT PUT	24V 40A	SUPPLY TERM	96.09~
WEIGHT	10kg	REGULATOR	BUILT-IN
ENGINE MODEL	6RB1T		
VEHICLE	MOTOR (XE), OTHERS		
DESIGN RECORD	3880 → 3881 FRONT BRACKET ASM, COLLAR CHANGED		
NOTE	V 15 TYPE V BELT TRIPLE PEAKS CLOCKWISE ROTATION		

0-35000-3881 ALTERNATOR (MAKER PART NO 1-81200479-0)

No	Parts Number	Maker Parts No	Description	Qty	List Price	Note
1	0-35100-0180	1-81211105-0	ROTOR ASSY	1		
1-1	1-0416-04160	9-82215867-0	WOODRUFF KEY	1		
1-2	1-33923-0790	1-81229642-0	COLLAR	1		
1-3	1-09201-0460	1-81229393-0	BALL BEARING	1		REAR
1-4	0-35923-0180	1-81229737-0	COLLAR	1		
2	0-35200-0350	1-81211106-1	STATOR ASSY	1		
3	0-35300-0250	1-81213122-0	F.BRACKET ASSY	1		INCLUDING 3-1~3-5
3-1	0-35926-0070	1-81229643-0	RETAINER	1		
3-2	0-35922-0070	1-81229734-0	PLATE	1		
3-3	1-33926-0730	1-81229526-0	RETAINER	1		
3-4	0-35951-0060	1-81229644-0	PACKING	2		
3-5	0-09201-1040	1-81229735-0	BALL BEARING	1		FRONT
3-6	0-0275-06802	1-81229382-0	BOLT	3		THROUGH BOLT
4	0-35411-0540	1-81222100-0	PULLEY	1		
4-1	0-35421-0110	1-81223016-0	FAN	1		
4-2	0-0280-16022	1-81229474-0	NUT	1		
4-3	1-0335-16002	1-81229479-0	SPRING WASHER	1		
4-4	1-0330-16012	1-81229478-0	PLAIN WASHER	1		
5	0-35120-0110	1-81212011-0	FIELD COIL CO	1		
7	0-35700-0590	1-81214323-0	R.BRACKET ASSY	1		INCLUDING 7-1~7-10,8
7-1	0-35710-0481	1-81214295-1	REAR BRACKET CO	1		
7-2	0-35730-0270	1-81219107-0	RECTIFIER ASSY	1		
7-3	0-35780-0480	1-81229683-0	TERMINAL ASSY	1		GUM BUSH NOT INCLUDED
7-4	0-09170-2000	1-84132008-0	CONDENSER	1		
7-5	0-35901-0060	1-81229646-0	BOLT	1		
7-6	0-35901-0070	1-81229647-0	BOLT	1		
7-7	0-35943-0080	1-81229648-0	INSULATE BUSH	1		
7-8	0-35943-0090	1-81229649-0	INSULATE BUSH	1		
7-9	0-35951-0070	1-81229651-0	PACKING	1		
7-10	0-35943-0070	1-81229650-0	INSULATE BUSH	1		
7-11	0-09252-0570	1-81229652-0	GUM CAP	1		
7-12	0-09252-0580	1-81229653-0	GUM CAP	1		
7-13	0-33927-0650	8-97029059-0	HOLDER	1		
7-14	0-35761-0130	1-81214296-0	COVER	1		
7-15	0-0056-05452	1-81229477-0	SCREW	3		
7-16	1-33931-0021	1-81229122-0	CLIP	1		
7-17	0-33902-0080	8-98040690-0	NUT	1		
8	0-35719-0060	1-81260007-0	REGULATOR ASSY	1		



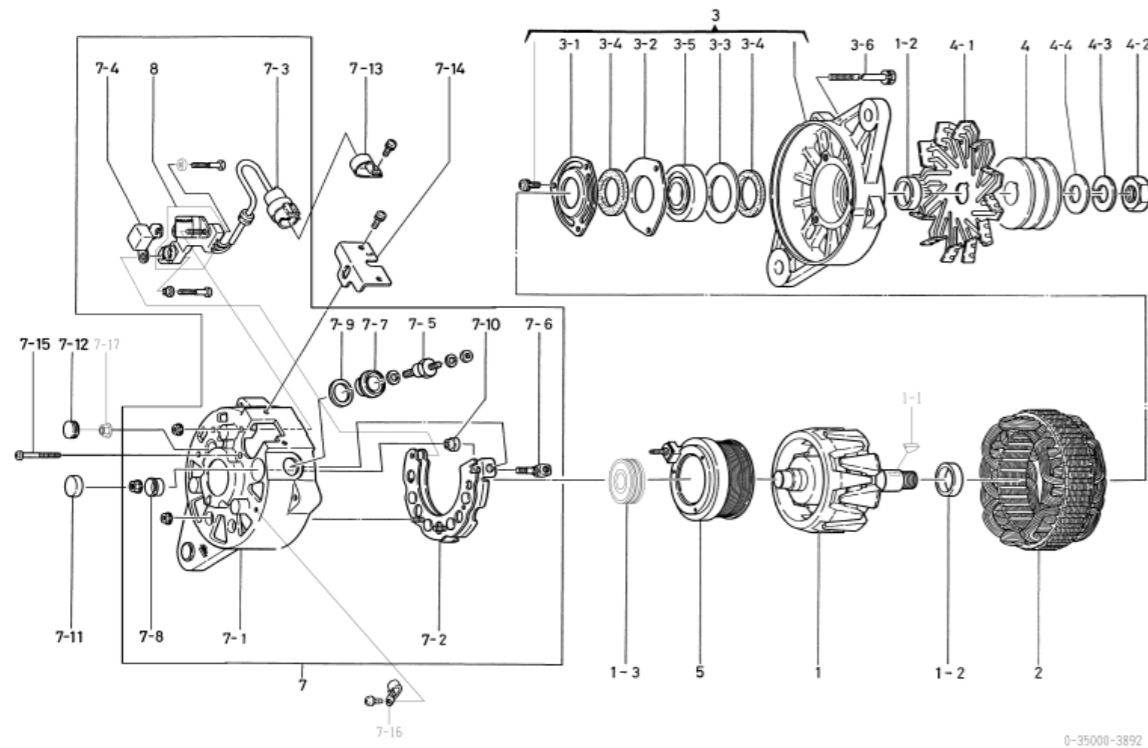
0-35000-3881

0-35000-3892 ALTERNATOR

OEM CUSTOMER	ISUZU	OEM PARTS NUMBER	1-81200459-2
NOMINAL OUT PUT	24V 40A	SUPPLY TERM	96.12~
WEIGHT	9kg	REGULATOR	BUILT-IN
ENGINE MODEL	6SD1-T, 8PE1, OTHERS		
VEHICLE	CX※23, CV※80, OTHERS		
DESIGN RECORD	3891 → 3892 FRONT BRACKET ASM CHANGED		
NOTE	V 15 TYPE V BELT DOUBLE PEAKS (QUENCHED) CLOCKWISE ROTATION INTEGRATED TYPE OF 0-35000-3571*, 3660, 3613, 3830*, 3840, 3890, 3891 * MARKED MODELS NEED OPTIONAL TERMINAL ASSY 0-35780-0420.		

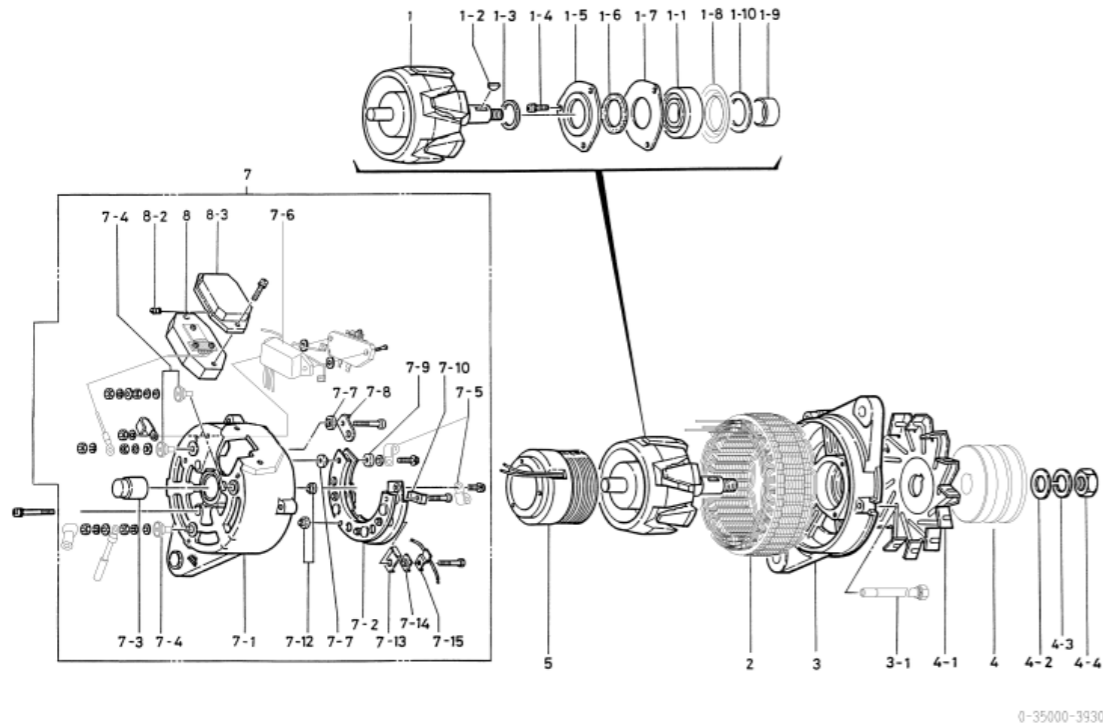
0-35000-3892 ALTERNATOR (MAKER PART NO 1-81200459-2)

No	Parts Number	Maker Parts No	Description	Qty	List Price	Note
1	0-35100-0180	1-81211105-0	ROTOR ASSY	1		
1-1	1-0416-04160	9-82215867-0	WOODRUFF KEY	1		
1-2	1-33923-0790	1-81229642-0	COLLAR	2		
1-3	0-09201-0840	1-81229678-0	BALL BEARING	1		REAR
2	0-35200-0270	1-81211106-0	STATOR ASSY	1		
3	0-35300-0011	1-81213092-0	F.BRACKET ASSY	1		INCLUDING 3-1~3-5
3-1	0-35926-0070	1-81229643-0	RETAINER	1		
3-2	1-33926-0750	1-81229376-0	RETAINER	1		
3-3	1-33926-0730	1-81229526-0	RETAINER	1		
3-4	0-35951-0060	1-81229644-0	PACKING	2		
3-5	0-09201-0741	1-81229645-0	BALL BEARING	1		FRONT
3-6	0-0275-06802	1-81229382-0	BOLT	3		THROUGH BOLT
4	0-35411-0530	1-81222091-0	PULLEY	1		
4-1	0-35421-0110	1-81223016-0	FAN	1		
4-2	0-0280-16022	1-81229474-0	NUT	1		
4-3	1-0335-16002	1-81229479-0	SPRING WASHER	1		
4-4	1-0330-16012	1-81229478-0	PLAIN WASHER	1		
5	0-35120-0110	1-81212011-0	FIELD COIL CO	1		
7	0-35700-0421	1-81214294-1	R.BRACKET ASSY	1		INCLUDING 7-1~7-10,8
7-1	0-35710-0481	1-81214295-1	REAR BRACKET CO	1		
7-2	0-35730-0270	1-81219107-0	RECTIFIER ASSY	1		
7-3	0-35780-0070	1-81229517-0	TERMINAL ASSY	1		GUM BUSH NOT INCLUDED
7-4	0-09170-2000	1-84132008-0	CONDENSER	1		
7-5	0-35901-0060	1-81229646-0	BOLT	1		
7-6	0-35901-0070	1-81229647-0	BOLT	1		
7-7	0-35943-0080	1-81229648-0	INSULATE BUSH	1		
7-8	0-35943-0090	1-81229649-0	INSULATE BUSH	1		
7-9	0-35951-0070	1-81229651-0	PACKING	1		
7-10	0-35943-0070	1-81229650-0	INSULATE BUSH	1		
7-11	0-09252-0570	1-81229652-0	GUM CAP	1		
7-12	0-09252-0580	1-81229653-0	GUM CAP	1		
7-13	0-35927-0010	1-81217053-0	HOLDER	1		
7-14	0-35761-0130	1-81214296-0	COVER	1		
7-15	0-0056-05452	1-81229477-0	SCREW	3		
7-16	0-35931-0020	1-81229516-0	CLIP	1		
7-17	0-33902-0080	8-98040690-0	NUT	1		
8	0-35719-0060	1-81260007-0	REGULATOR ASSY	1		



0-35000-3930 ALTERNATOR

OEM CUSTOMER	ISUZU	OEM PARTS NUMBER	8-97124391-0
NOMINAL OUT PUT	24V 30A	SUPPLY TERM	94.12~
WEIGHT	9.5kg	REGULATOR	0-44000-0841
ENGINE MODEL	4BG1TMC		
VEHICLE	MARINE		
DESIGN RECORD			
NOTE	V 15 TYPE V BELT DOUBLE PEAKS FLOATED EARTH FOR INSULATION (MARINE TYPE) CLOCKWISE ROTATION		



0-35000-3930

0-35000-3930 ALTERNATOR (MAKER PART NO 8-97124391-0)

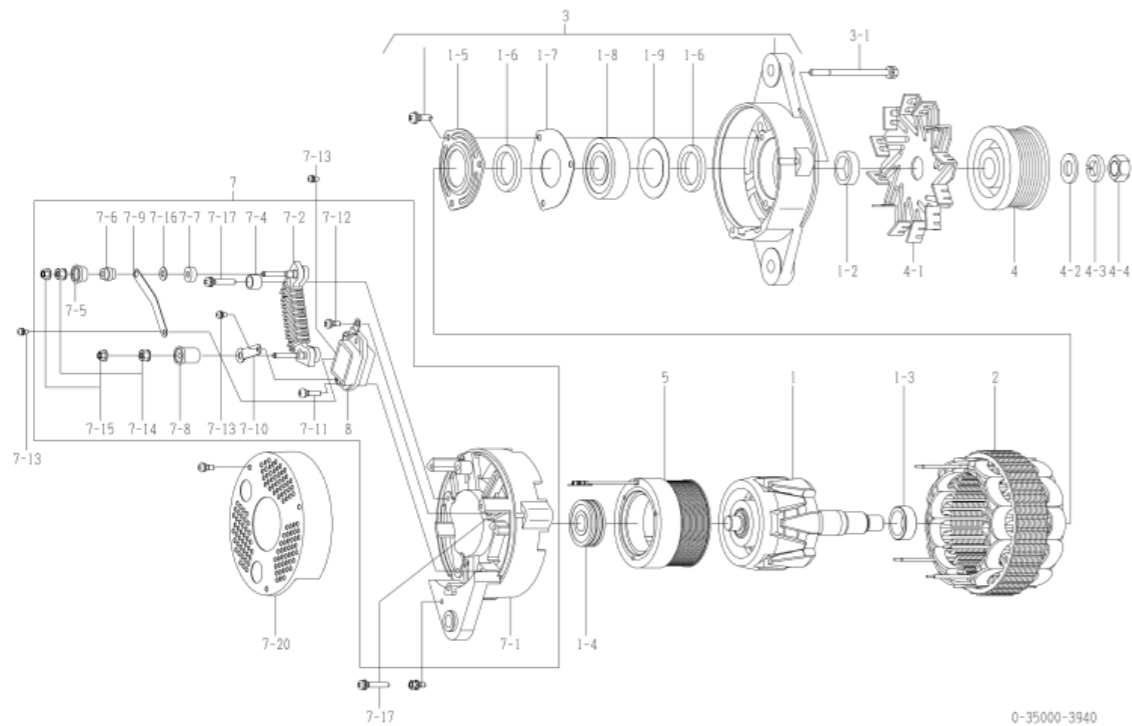
No	Parts Number	Maker Parts No	Description	Qty	List Price	Note
1	1-33100-1270	1-81221056-0	ROTOR ASSY	1		
1-1	1-0453-63057	1-81229514-0	BALL BEARING	1		FRONT
1-2	1-0416-04160	9-82215867-0	WOODRUFF KEY	1		
1-3	1-33923-0780	1-81229373-0	COLLAR	1		
1-4	1-0055-06162	1-81229469-0	SCREW	3		
1-5	0-35926-0060	1-81229513-0	RETAINER	1		
1-6	1-33951-0610	1-81229383-0	PACKING	1		
1-7	1-33926-0750	1-81229376-0	RETAINER	1		
1-8	1-33926-0760	1-81229377-0	RETAINER	1		
1-9	1-33923-0810	1-81229374-0	COLLAR	1		
1-10	1-09251-0440	1-81229384-0	PACKING	1		
2	0-35200-0410	8-97130796-0	STATOR ASSY	1		
3	0-35300-0030	1-81213075-0	F.BRACKET ASSY	1		INC.1-1,1-4~1-8,1-10
3-1	0-0275-06802	1-81229382-0	BOLT	3		THROUGH BOLT
4	0-35411-0102	1-81222078-0	PULLEY	1		
4-1	0-33421-0491	1-81223014-0	FAN	1		
4-2	1-0330-16012	1-81229478-0	PLAIN WASHER	1		
4-3	1-0335-16002	1-81229479-0	SPRING WASHER	1		
4-4	0-0280-16022	1-81229474-0	NUT	1		
5	0-33120-0220	1-81212003-0	FIELD COIL CO	1		
7	0-35700-0690	8-97130797-0	R.BRACKET ASSY	1		INCLUDING 7-1~8-3
7-1	0-35710-0270	1-81214282-0	REAR BRACKET ASSY	1		INCLUDING 7-3
7-2	0-33730-2380	1-81219105-0	RECTIFIER ASSY	1		
7-3	1-09202-0070	1-81229381-0	ROLLER BEARING	1		REAR
7-4	0-35943-0200	8-97131019-0	INSULATE BUSH	3		
7-5	1-33931-0021	1-81229122-0	CLIP	3		
7-6	1-35340-0010	1-81229622-0	CONDENSER ASSY	1		
7-7	1-25943-1400	1-81229617-0	INSULATE BUSH	2		
7-8	1-35784-0010	1-81229624-0	CONNECT BAR	1		
7-9	1-47941-0420	1-81229182-0	INSULATE WASHER	3		
7-10	1-33928-0220	1-81229619-0	STOPPER	1		
7-12	1-33943-0720	1-81229138-0	INSULATE BUSH	2		
7-13	1-33928-0230	1-81229620-0	STOPPER	1		
7-14	1-33943-0760	5-81229169-0	INSULATE BUSH	1		
7-15	1-33785-2690	1-81229618-0	LEAD WIRE CO	1		
8	0-44000-0841	1-81260006-1	REGULATOR	1		
8-2	1-33953-0240	1-81229621-0	GUM BUSH	1		
8-3	1-44761-0540	1-81214284-0	COVER	1		

0-35000-3940 ALTERNATOR

OEM CUSTOMER	KOMATSU	OEM PARTS NUMBER	
NOMINAL OUT PUT	24V 50A	SUPPLY TERM	95.10~
WEIGHT	11kg	REGULATOR	BUILT-IN
ENGINE MODEL	SAA6D125E-6-A, OTHERS		
VEHICLE	PC400LC-10, OTHERS		
DESIGN RECORD			
NOTE	<p>K TYPE V BELT 8 PEAKS CLOCKWISE ROTATION THE LATEST MODEL IS 0-35000-3942. HOWEVER, SUCH COMPONENTS ARE NOT COMPATIBLE AS ROTOR ASSY, COLLAR, STATOR ASSY, FRONT BRACKET ASSY, PULLEY, PULLEY NUT, FIELD COIL CO, REAR BRACKET AND COVER. 0-35000-3490, 3941AND 3942 SHOULD USE THEIR OWN UNIQUE PARTS. HOW TO IDENTIFY THE OLD / NEW PART NUMBER OF ALTERNATOR ASSY : OLD MODEL USES PLAIN WASHER, SPRING WASHER AND NUT TO FIX PULLEY. NEW MODEL USES FLANGE NUT TO FIX PULLEY.</p>		

0-35000-3940 ALTERNATOR (MAKER PART NO)

No	Parts Number	Maker Parts No	Description	Qty	List Price	Note
1	0-35100-0300		ROTOR ASSY	1		
1-2	1-33923-0790		COLLAR	1		
1-3	0-35923-0160		COLLAR	1		
1-4	0-09201-0980		BALL BEARING	1		REAR
1-5	0-35926-0070		RETAINER	1		
1-6	0-35951-0060		PACKING	2		
1-7	0-35926-0090		RETAINER	1		
1-8	0-09201-0881		BALL BEARING	1		FRONT
1-9	1-33926-0730		RETAINER	1		
2	0-35200-0430		STATOR ASSY	1		
3	0-35300-0190		F.BRACKET ASSY	1		INCLUDING 1-5~1-9
3-1	0-0275-06802		BOLT	3		THROUGH BOLT
4	0-35411-0641		PULLEY	1		
4-1	0-35421-0170		FAN	1		
4-2	1-0330-16012		PLAIN WASHER	1		
4-3	1-0335-16002		SPRING WASHER	1		
4-4	0-0280-16022		NUT	1		
5	0-35120-0210		FIELD COIL CO	1		
7	0-35700-0752		R.BRACKET ASSY	1		INC. 1PC OF 7-1~7-12, 7-13 & 8, 2PCS OF 7-14~7-16 AND 7-17
7-1	0-35710-0870		REAR BRACKET CO	1		
7-2	0-35730-0510		RECTIFIER ASSY	1		
7-4	0-35943-0170		INSULATE BUSH	2		
7-5	0-35943-0150		INSULATE BUSH	1		
7-6	0-35923-0130		COLLAR	1		
7-7	0-35943-0160		INSULATE BUSH	1		
7-8	0-35943-0140		INSULATE BUSH	1		
7-9	0-35784-0240		CONNECT BAR	1		
7-10	0-09120-0770		TERMINAL PLATE	1		
7-11	0-0055-05202		SCREW	2		
7-12	0-0055-05122		SCREW	1		
7-13	0-09011-3540		SCREW	3		
7-14	0-33902-0090		NUT	2		
7-15	0-33902-0080		NUT	2		
7-16	1-0331-06013		PLAIN WASHER	1		
7-17	0-0056-05302		SCREW	5		
7-20	0-35761-0220		COVER	1		
8	0-35719-0201		REGULATOR ASSY	1		

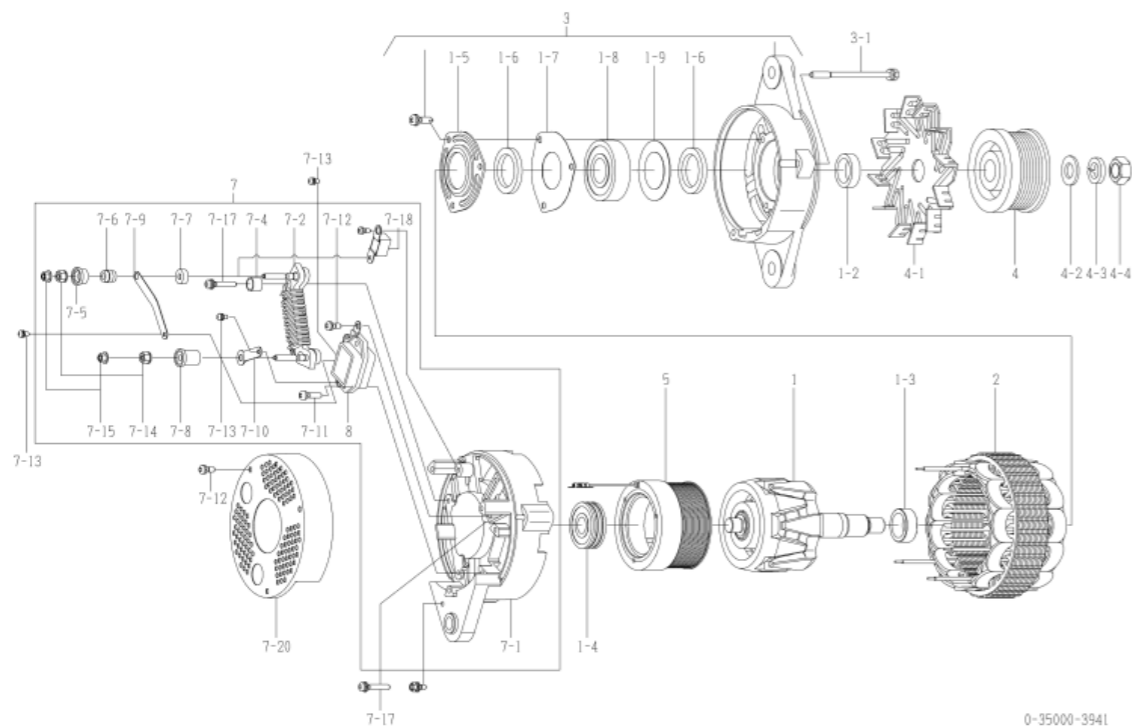


0-35000-3941 ALTERNATOR

OEM CUSTOMER	KOMATSU	OEM PARTS NUMBER	600-861-5110
NOMINAL OUT PUT	24V 50A	SUPPLY TERM	98.05~
WEIGHT	11kg	REGULATOR	BUILT-IN
ENGINE MODEL	SAA6D125E-6-A, OTHERS		
VEHICLE	PC400LC-10, OTHERS		
DESIGN RECORD	3940 → 3941 VIBRATION RESISTANCE		
NOTE	<p>K TYPE V BELT 8 PEAKS CLOCKWISE ROTATION</p> <p>THE LATEST MODEL IS 0-35000-3942. HOWEVER, SUCH COMPONENTS ARE NOT COMPATIBLE AS ROTOR ASSY, COLLAR, STATOR ASSY, FRONT BRACKET ASSY, PULLEY, PULLEY NUT, FIELD COIL CO, REAR BRACKET AND COVER.</p> <p>0-35000-3490, 3941AND 3942 SHOULD USE THEIR OWN UNIQUE PARTS.</p> <p>HOW TO IDENTIFY THE OLD / NEW PART NUMBER OF ALTERNATOR ASSY :</p> <p>OLD MODEL USES PLAIN WASHER, SPRING WASHER AND NUT TO FIX PULLEY. NEW MODEL USES FLANGE NUT TO FIX PULLEY.</p>		

0-35000-3941 ALTERNATOR (MAKER PART NO 600-861-5110)

No	Parts Number	Maker Parts No	Description	Qty	List Price	Note
1	0-35100-0300		ROTOR ASSY	1		
1-2	1-33923-0790		COLLAR	1		
1-3	0-35923-0160		COLLAR	1		
1-4	0-09201-0980		BALL BEARING	1		REAR
1-5	0-35926-0070		RETAINER	1		
1-6	0-35951-0060		PACKING	2		
1-7	0-35926-0090		RETAINER	1		
1-8	0-09201-0881		BALL BEARING	1		FRONT
1-9	1-33926-0730		RETAINER	1		
2	0-35200-0430		STATOR ASSY	1		
3	0-35300-0190		F.BRACKET ASSY	1		INCLUDING 1-5~1-9
3-1	0-0275-06802		BOLT	3		THROUGH BOLT
4	0-35411-0641		PULLEY	1		
4-1	0-35421-0170		FAN	1		
4-2	1-0330-16012		PLAIN WASHER	1		
4-3	1-0335-16002		SPRING WASHER	1		
4-4	0-0280-16022		NUT	1		
5	0-35120-0210		FIELD COIL CO	1		
7	0-35700-0751		R.BRACKET ASSY	1		INC. 1PC OF 7-1~7-13, 7-18 & 8, 2PCS OF 7-14, 7-15 AND 7-17
7-1	0-35710-0870		REAR BRACKET CO	1		
7-2	0-35730-0510		RECTIFIER ASSY	1		
7-4	0-35943-0170		INSULATE BUSH	2		
7-5	0-35943-0150		INSULATE BUSH	1		
7-6	0-35923-0130		COLLAR	1		
7-7	0-35943-0160		INSULATE BUSH	1		
7-8	0-35943-0140		INSULATE BUSH	1		
7-9	0-35784-0210		CONNECT BAR	1		
7-10	0-35784-0290		CONNECT BAR	1		
7-11	0-0055-05202		SCREW	2		
7-12	0-0055-05122		SCREW	4		
7-13	0-09011-3540		SCREW	3		
7-14	0-33902-0090		NUT	2		
7-15	0-33902-0080		NUT	2		
7-16	1-0331-06013		PLAIN WASHER	1		
7-17	0-0056-05302		SCREW	5		
7-18	0-09170-2501		CONDENSER	1		
7-20	0-35761-0220		COVER	1		
8	0-35719-0201		REGULATOR ASSY	1		

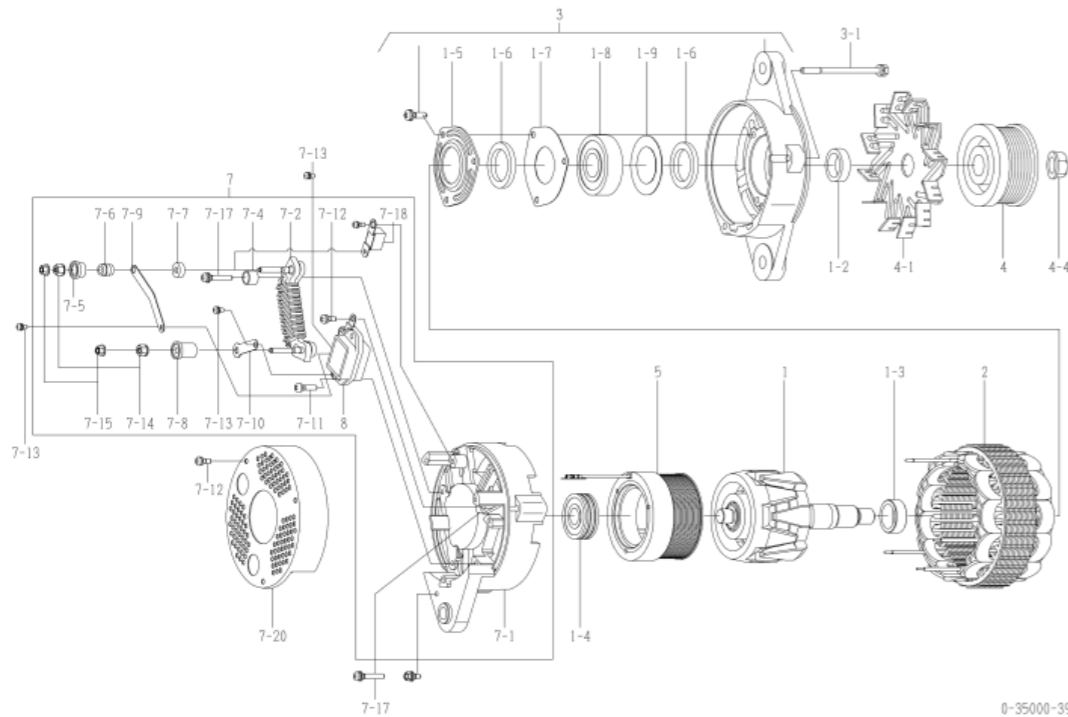


0-35000-3942 ALTERNATOR

OEM CUSTOMER	KOMATSU	OEM PARTS NUMBER	600-861-5111
NOMINAL OUT PUT	24V 50A	SUPPLY TERM	09.02~
WEIGHT	11kg	REGULATOR	BUILT-IN
ENGINE MODEL	SAA6D125E-6-A, OTHERS		
VEHICLE	PC400LC-10, OTHERS		
DESIGN RECORD	3940 → 3941 VIBRATION RESISTANCE 3941 → 3942 ROTOR ASSY, COLLAR, STATOR ASSY, F. BRACKET ASSY, PULLEY, PULLEY NUT, FIELD COIL CO, R. BRACKET, COVER CHANGED		
NOTE	K TYPE V BELT 8 PEAKS CLOCKWISE ROTATION THE OLD MODEL IS 0-35000-3940, 3941. HOWEVER, SUCH COMPONENTS ARE NOT COMPATIBLE AS ROTOR ASSY, COLLAR, STATOR ASSY, FRONT BRACKET ASSY, PULLEY, PULLEY NUT, FIELD COIL CO, REAR BRACKET AND COVER. 0-35000-3490, 3941 AND 3942 SHOULD USE THEIR OWN UNIQUE PARTS. HOW TO IDENTIFY THE OLD / NEW PART NUMBER OF ALTERNATOR ASSY : OLD MODEL USES PLAIN WASHER, SPRING WASHER AND NUT TO FIX PULLEY. NEW MODEL USES FLANGE NUT TO FIX PULLEY.		

0-35000-3942 ALTERNATOR (MAKER PART NO 600-861-5111)

No	Parts Number	Maker Parts No	Description	Qty	List Price	Note
1	0-35100-0418		ROTOR ASSY	1		
1-2	0-35923-0240		COLLAR	1		
1-3	0-35923-0160		COLLAR	1		
1-4	0-09201-0980		BALL BEARING	1		REAR
1-5	0-35926-0070		RETAINER	1		
1-6	0-35951-0060		PACKING	2		
1-7	0-35926-0090		RETAINER	1		
1-8	0-09201-1450		BALL BEARING	1		FRONT
1-9	1-33926-0730		RETAINER	1		
2	0-35200-0528		STATOR ASSY	1		
3	0-35300-0450		F.BRACKET ASSY	1		INCLUDING 1-5~1-9
3-1	0-0275-06802		BOLT	3		THROUGH BOLT
4	0-35411-0648		PULLEY	1		
4-1	0-35421-0170		FAN	1		
4-4	0-09006-0730		NUT	1		
5	0-35120-0528		FIELD COIL CO	1		
7	0-35700-1150		R.BRACKET ASSY	1		INC. 1PC OF 7-1~7-13, 7-18 & 8, 2PGS OF 7-14, 7-15 AND 7-17
7-1	0-35710-1330		REAR BRACKET CO	1		
7-2	0-35730-0510		RECTIFIER ASSY	1		
7-4	0-35943-0170		INSULATE BUSH	2		
7-5	0-35943-0154		INSULATE BUSH	1		
7-6	0-35923-0134		COLLAR	1		
7-7	0-35943-0160		INSULATE BUSH	1		
7-8	0-35943-0140		INSULATE BUSH	1		
7-9	0-35784-0210		CONNECT BAR	1		
7-10	0-35784-0290		CONNECT BAR	1		
7-11	0-0055-05202		SCREW	2		
7-12	0-0055-05122		SCREW	5		
7-13	0-09011-3540		SCREW	3		
7-14	0-33902-0090		NUT	2		
7-15	0-33902-0080		NUT	2		
7-17	0-0056-05302		SCREW	5		
7-18	0-09170-2501		CONDENSER	1		
7-20	0-35761-0308		COVER	1		
8	0-35719-0201		REGULATOR ASSY	1		

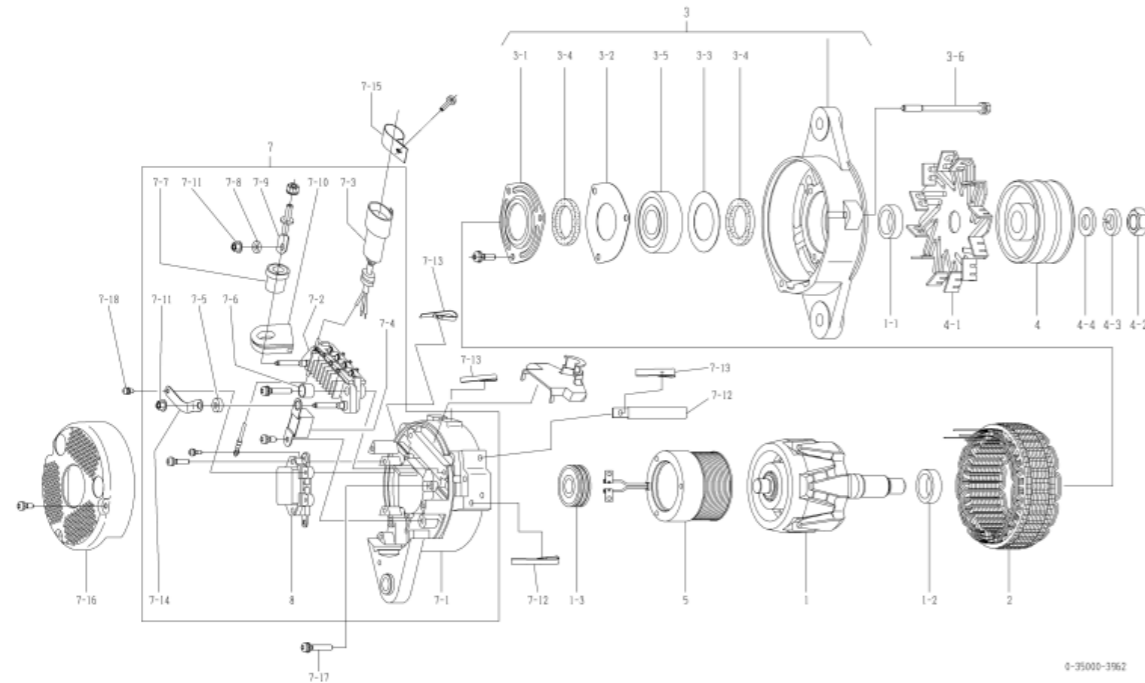


0-35000-3962 ALTERNATOR

OEM CUSTOMER	ISUZU	OEM PARTS NUMBER	1-81200470-3
NOMINAL OUT PUT	24V 50A	SUPPLY TERM	96.12~
WEIGHT	10kg	REGULATOR	BUILT-IN
ENGINE MODEL	8PE1, 10PE1, 12PE1, OTHERS		
VEHICLE	CV※80, CX※81, CY※82, OTHERS		
DESIGN RECORD	3961 → 3962 FRONT BRACKET ASSY CHANGED		
NOTE	V15 TYPE V BELT DOUBLE PEAKS (QUENCHED) CLOCKWISE ROTATION		

0-35000-3962 ALTERNATOR (MAKER PART NO 1-81200470-3)

No	Parts Number	Maker Parts No	Description	Qty	List Price	Note
1	0-35100-0300	1-81211121-0	ROTOR ASSY	1		
1-1	1-33923-0790	1-81229642-0	COLLAR	1		
1-2	0-35923-0160	1-81229722-0	COLLAR	1		
1-3	0-09201-0980	1-81229723-0	BALL BEARING	1		REAR
2	0-35200-0440	1-81211122-0	STATOR ASSY	1		
3	0-35300-0221	1-81213094-0	F.BRACKET ASSY	1		INCLUDING 3-1~3-5
3-1	0-35926-0070	1-81229643-0	RETAINER	1		
3-2	0-35926-0090	8-97094161-0	RETAINER	1		
3-3	1-33926-0730	1-81229526-0	RETAINER	1		
3-4	0-35951-0060	1-81229644-0	PACKING	2		
3-5	0-09201-0881	1-81229740-0	BALL BEARING	1		FRONT
3-6	0-0275-06802	1-81229382-0	BOLT	3		THROUGH BOLT
4	0-35411-0690	1-81222101-0	PULLEY	1		
4-1	0-35421-0170	1-81223019-0	FAN	1		
4-2	0-0280-16022	1-81229474-0	NUT	1		
4-3	1-0335-16002	1-81229479-0	SPRING WASHER	1		
4-4	1-0330-16012	1-81229478-0	PLAIN WASHER	1		
5	0-35120-0230	1-81222102-0	FIELD COIL CO	1		
7	0-35700-0800	1-81214339-0	R.BRACKET ASSY	1		INCLUDING 7-1~7-11,7-14, 8
7-1	0-35710-0970	1-81214340-0	REAR BRACKET CO	1		
7-2	0-35730-0630	1-81219117-0	RECTIFIER ASSY	1		
7-3	0-35780-0700	1-81229726-0	TERMINAL ASSY	1		GUM BUSH NOT INCLUDED
7-4	0-09170-2501	1-84132012-0	CONDENSER	1		
7-5	0-35943-0160	1-81229727-0	INSULATE BUSH	1		
7-6	0-35943-0170	1-81229728-0	INSULATE BUSH	2		
7-7	0-35943-0220	1-81229729-0	INSULATE BUSH	1		
7-8	0-35923-0170	1-81229730-0	COLLAR	1		
7-9	0-35901-0200	1-81229731-0	BOLT	1		
7-10	0-35951-0100	1-81229732-0	PACKING	1		
7-11	0-33902-0080	8-98040690-0	NUT	2		
7-12	0-35931-0020	1-81229516-0	CLIP	2		
7-13	1-33931-0060	1-81118011-0	CLIP	3		
7-14	0-35784-0240		CONNECT BAR	1		
7-15	0-35927-0010	1-81217053-0	HOLDER	1		
7-16	0-35761-0240	1-81214343-0	COVER	1		
7-17	0-0056-05302	1-81229733-0	SCREW	3		
7-18	0-09011-3540		SCREW	2		
8	0-35719-0151	1-81260015-0	REGULATOR ASSY	1		

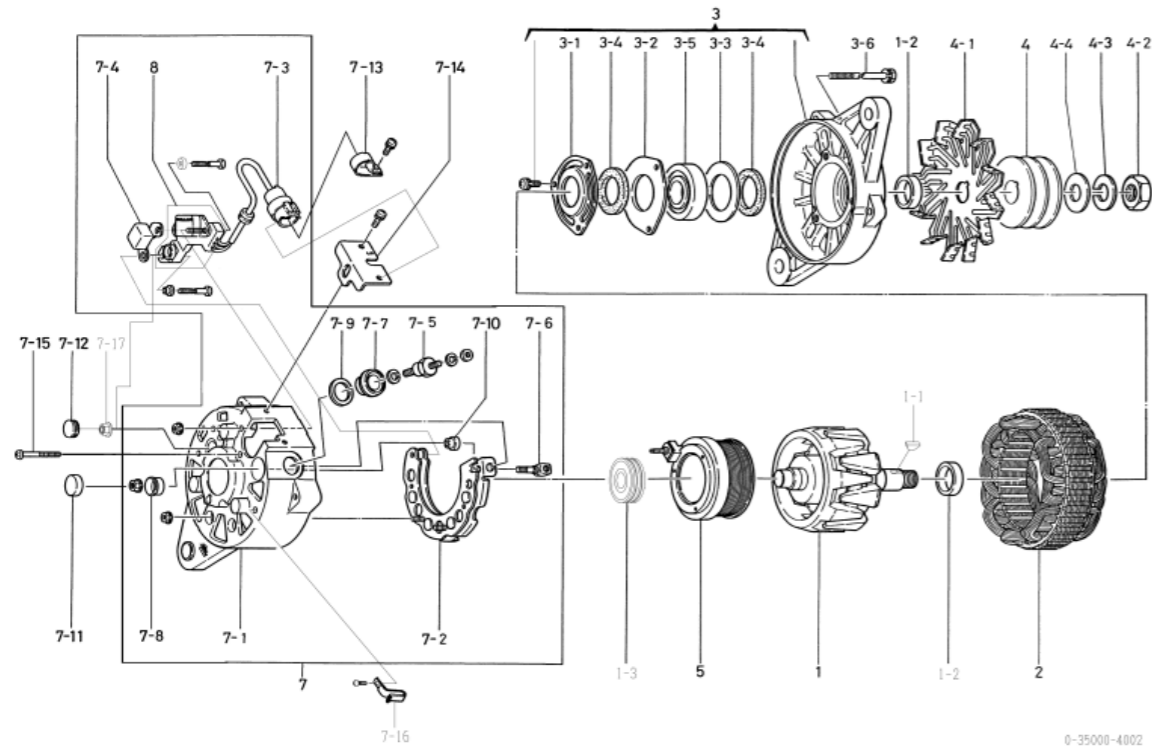


0-35000-4002 ALTERNATOR

OEM CUSTOMER	ISUZU	OEM PARTS NUMBER	1-81200416-5
NOMINAL OUT PUT	24V 40A	SUPPLY TERM	12.10~
WEIGHT	9 kg	REGULATOR	BUILT-IN
ENGINE MODEL	6HE1, OTHERS		
VEHICLE	FRR, FSR, FTR, OTHERS		
DESIGN RECORD	3763 → 4000	FRONT BRACKET ASSY CHANGED	
	4000 → 4002	REAR BRACKET ASSY CHANGED	
NOTE	V15 TYPE V BELT DOUBLE PEAKS SLOW CHARGING TYPE CLOCKWISE ROTATION		

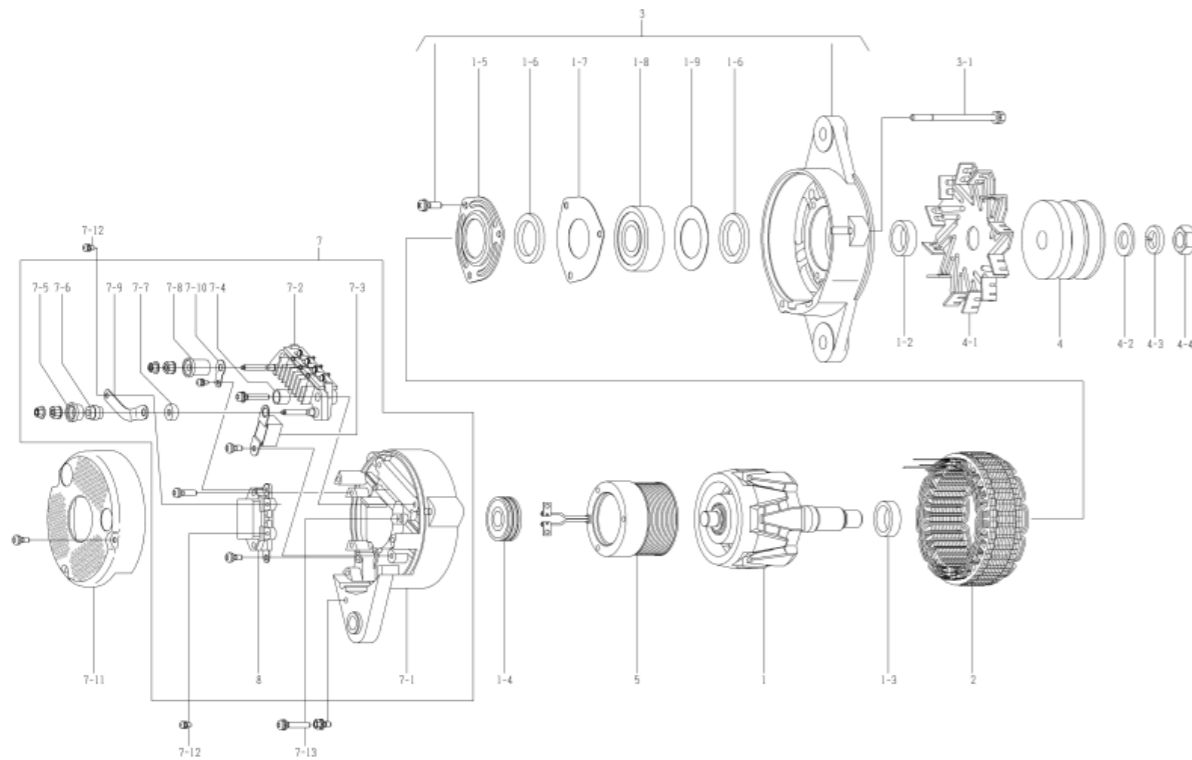
0-35000-4002 ALTERNATOR (MAKER PART NO 1-81200416-5)

No	Parts Number	Maker Parts No	Description	Qty	List Price	Note
1	0-35100-0180	1-81211105-0	ROTOR ASSY	1		
1-1	1-0416-04160	9-82215867-0	WOODRUFF KEY	1		
1-2	1-33923-0790	1-81229642-0	COLLAR	2		
1-3	1-09201-0460	1-81229393-0	BALL BEARING	1		REAR
2	0-35200-0350	1-81211106-1	STATOR ASSY	1		
3	0-35300-0011	1-81213092-0	F.BRACKET ASSY	1		INCLUDING 3-1~3-5
3-1	0-35926-0070	1-81229643-0	RETAINER	1		
3-2	1-33926-0750	1-81229376-0	RETAINER	1		
3-3	1-33926-0730	1-81229526-0	RETAINER	1		
3-4	0-35951-0060	1-81229644-0	PACKING	2		
3-5	0-09201-0741	1-81229739-0	BALL BEARING	1		FRONT
3-6	0-0275-06802	1-81229382-0	BOLT	3		THROUGH BOLT
4	1-35411-0100	1-81222055-0	PULLEY	1		
4-1	0-35421-0110	1-81223016-0	FAN	1		
4-2	0-0280-16022	1-81229474-0	NUT	1		
4-3	1-0335-16002	1-81229479-0	SPRING WASHER	1		
4-4	1-0330-16012	1-81229478-0	PLAIN WASHER	1		
5	0-35120-0110	1-81212011-0	FIELD COIL CO	1		
7	0-35700-1290	1-81214294-2	R.BRACKET ASSY	1		INCLUDING 7-1~7-10, 8
7-1	0-35710-1500		REAR BRACKET CO	1		
7-2	0-35730-0270	1-81219107-0	RECTIFIER ASSY	1		
7-3	0-35780-0070	1-81229517-0	TERMINAL ASSY	1		GUM BUSH NOT INCLUDED
7-4	0-09170-2000	1-84132008-0	CONDENSER	1		
7-5	0-35901-0060	1-81229646-0	BOLT	1		
7-6	0-35901-0070	1-81229647-0	BOLT	1		
7-7	0-35943-0080	1-81229648-0	INSULATE BUSH	1		
7-8	0-35943-0090	1-81229649-0	INSULATE BUSH	1		
7-9	0-35951-0070	1-81229651-0	PACKING	1		
7-10	0-35943-0070	1-81229650-0	INSULATE BUSH	1		
7-11	0-09252-0570	1-81229652-0	GUM CAP	1		
7-12	0-09252-0580	1-81229653-0	GUM CAP	1		
7-13	0-35927-0010	1-81217053-0	HOLDER	1		
7-14	0-35761-0130	1-81214296-0	COVER	1		
7-15	0-0056-05452	1-81229477-0	SCREW	3		
7-16	0-35931-0020	1-81229516-0	CLIP	1		
7-17	0-33902-0080	8-98040690-0	NUT	1		
8	0-35719-0060	1-81260007-0	REGULATOR ASSY	1		



0-35000-4010 ALTERNATOR

OEM CUSTOMER	KOMATSU	OEM PARTS NUMBER	
NOMINAL OUT PUT	24V 50A	SUPPLY TERM	97.04~
WEIGHT	11kg	REGULATOR	BUILT-IN
ENGINE MODEL	SA6D125, OTHERS		
VEHICLE	PC400-5, OTHERS		
DESIGN RECORD			
NOTE	<p>22 TYPE V BELT DOUBLE PEAKS CLOCKWISE ROTATION THE LATEST MODEL IS 0-35000-4012. HOWEVER, SUCH COMPONENTS ARE NOT COMPATIBLE AS ROTOR ASSY, COLLAR, STATOR ASSY, FRONT BRACKET ASSY, PULLEY, PULLEY NUT, FIELD COIL CO, REAR BRACKET AND COVER. 0-35000-4010, 4011AND 4012 SHOULD USE THEIR OWN UNIQUE PARTS. HOW TO IDENTIFY THE OLD / NEW PART NUMBER OF ALTERNATOR ASSY : OLD MODEL USES PLAIN WASHER, SPRING WASHER AND NUT TO FIX PULLEY. NEW MODEL USES FLANGE NUT TO FIX PULLEY.</p>		



0-35000-4010

0-35000-4010 ALTERNATOR (MAKER PART NO

)

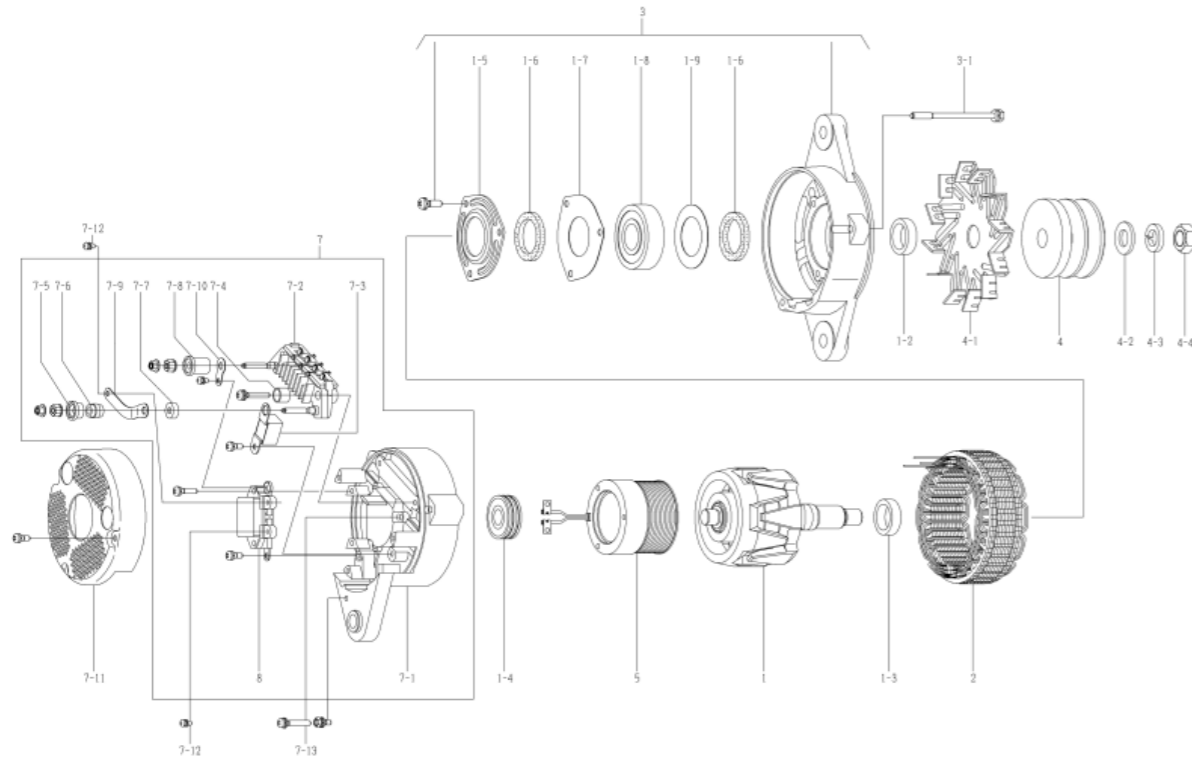
No	Parts Number	Maker Parts No	Description	Qty	List Price	Note
1	0-35100-0300		ROTOR ASSY	1		
1-2	1-33923-0790		COLLAR	1		
1-3	0-35923-0160		COLLAR	1		
1-4	0-09201-0980		BALL BEARING	1		REAR
1-5	0-35926-0070		RETAINER	1		
1-6	0-35951-0060		PACKING	2		
1-7	0-35926-0090		RETAINER	1		
1-8	0-09201-0881		BALL BEARING	1		FRONT
1-9	1-33926-0730		RETAINER	1		
2	0-35200-0440		STATOR ASSY	1		
3	0-35300-0190		F.BRACKET ASSY	1		INCLUDING 1-5~1-9
3-1	0-0275-06802		BOLT	3		THROUGH BOLT
4	0-35411-0560		PULLEY	1		
4-1	0-35421-0170		FAN	1		
4-2	1-0330-16012		PLAIN WASHER	1		
4-3	1-0335-16002		SPRING WASHER	1		
4-4	0-0280-16022		NUT	1		
5	0-35120-0230		FIELD COIL CO	1		
7	0-35700-0820		R.BRACKET ASSY	1		INCLUDING 7-1~7-10, 8
7-1	0-35710-1010		REAR BRACKET CO	1		
7-2	0-35730-0510		RECTIFIER ASSY	1		
7-3	0-09170-2501		CONDENSER	1		
7-4	0-35943-0170		INSULATE BUSH	2		
7-5	0-35943-0150		INSULATE BUSH	1		
7-6	0-35923-0130		COLLAR	1		
7-7	0-35943-0160		INSULATE BUSH	1		
7-8	0-35943-0140		INSULATE BUSH	1		
7-9	0-35784-0240		CONNECT BAR	1		
7-10	0-09120-0770		TERMINAL PLATE	1		
7-11	0-35761-0250		COVER	1		
7-12	0-09011-3540		SCREW	2		
7-13	0-0056-05302		SCREW	3		
8	0-35719-0200		REGULATOR ASSY	1		

0-35000-4011 ALTERNATOR

OEM CUSTOMER	KOMATSU	OEM PARTS NUMBER	600-825-5150
NOMINAL OUT PUT	24V 50A	SUPPLY TERM	98.05~
WEIGHT	11kg	REGULATOR	BUILT-IN
ENGINE MODEL	SA6D125, OTHERS		
VEHICLE	PC400-5, OTHERS		
DESIGN RECORD	4010 → 4011 VIBRATION RESISTANCE		
NOTE	<p>22 TYPE V BELT DOUBLE PEAKS CLOCKWISE ROTATION THE LATEST MODEL IS 0-35000-4012. HOWEVER, SUCH COMPONENTS ARE NOT COMPATIBLE AS ROTOR ASSY, COLLAR, STATOR ASSY, FRONT BRACKET ASSY, PULLEY, PULLEY NUT, FIELD COIL CO, REAR BRACKET AND COVER. 0-35000-4010, 4011AND 4012 SHOULD USE THEIR OWN UNIQUE PARTS. HOW TO IDENTIFY THE OLD / NEW PART NUMBER OF ALTERNATOR ASSY : OLD MODEL USES PLAIN WASHER, SPRING WASHER AND NUT TO FIX PULLEY. NEW MODEL USES FLANGE NUT TO FIX PULLEY.</p>		

0-35000-4011 ALTERNATOR (MAKER PART NO 600-825-5150)

No	Parts Number	Maker Parts No	Description	Qty	List Price	Note
1	0-35100-0300		ROTOR ASSY	1		
1-2	1-33923-0790		COLLAR	1		
1-3	0-35923-0160		COLLAR	1		
1-4	0-09201-0980		BALL BEARING	1		REAR
1-5	0-35926-0070		RETAINER	1		
1-6	0-35951-0060		PACKING	2		
1-7	0-35926-0090		RETAINER	1		
1-8	0-09201-0881		BALL BEARING	1		FRONT
1-9	1-33926-0730		RETAINER	1		
2	0-35200-0440		STATOR ASSY	1		
3	0-35300-0190		F.BRACKET ASSY	1		INCLUDING 1-5~1-9
3-1	0-0275-06802		BOLT	3		THROUGH BOLT
4	0-35411-0560		PULLEY	1		
4-1	0-35421-0170		FAN	1		
4-2	1-0330-16012		PLAIN WASHER	1		
4-3	1-0335-16002		SPRING WASHER	1		
4-4	0-0280-16022		NUT	1		
5	0-35120-0230		FIELD COIL CO	1		
7	0-35700-0822		R.BRACKET ASSY	1		INCLUDING 7-1~7-10, 8
7-1	0-35710-1010		REAR BRACKET CO	1		
7-2	0-35730-0510		RECTIFIER ASSY	1		
7-3	0-09170-2501		CONDENSER	1		
7-4	0-35943-0170		INSULATE BUSH	2		
7-5	0-35943-0150		INSULATE BUSH	1		
7-6	0-35923-0130		COLLAR	1		
7-7	0-35943-0160		INSULATE BUSH	1		
7-8	0-35943-0140		INSULATE BUSH	1		
7-9	0-35784-0210		CONNECT BAR	1		
7-10	0-35784-0290		CONNECT BAR	1		
7-11	0-35761-0250		COVER	1		
7-12	0-09011-3540		SCREW	2		
7-13	0-0056-05302		SCREW	3		
8	0-35719-0201		REGULATOR ASSY	1		



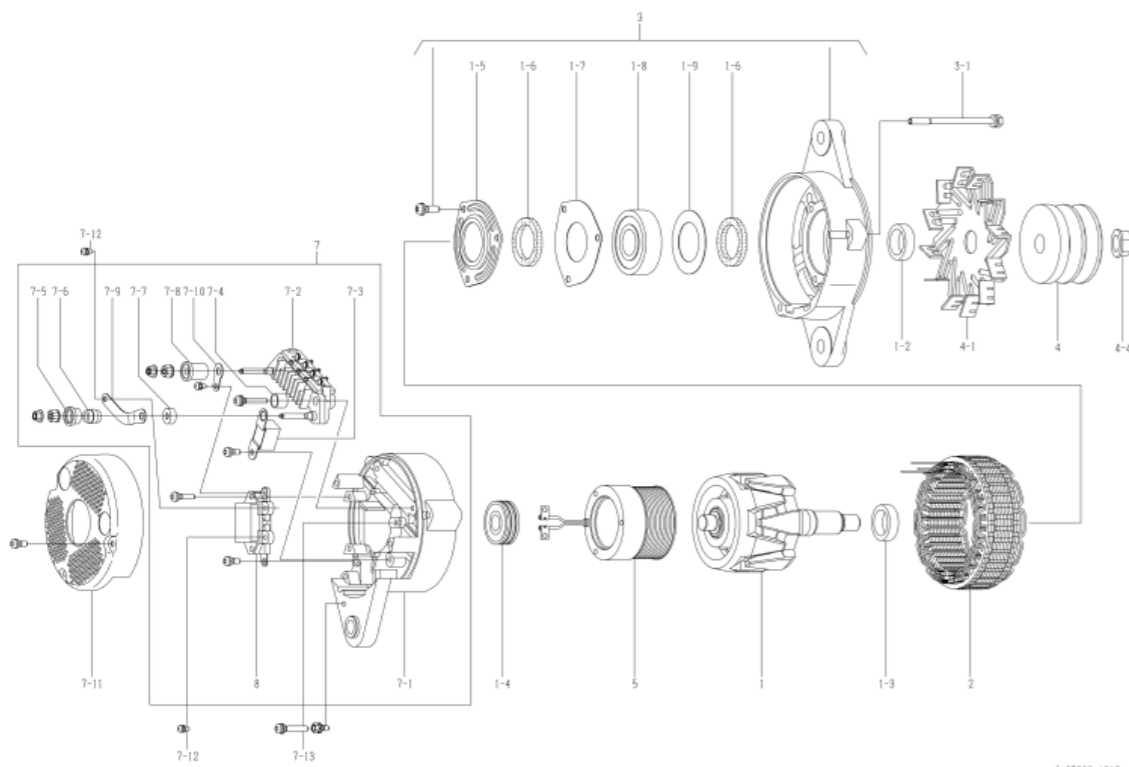
0-35000-4011

0-35000-4012 ALTERNATOR

OEM CUSTOMER	KOMATSU	OEM PARTS NUMBER	600-825-5151
NOMINAL OUT PUT	24V 50A	SUPPLY TERM	10.01~
WEIGHT	11kg	REGULATOR	BUILT-IN
ENGINE MODEL	SA6D125, OTHERS		
VEHICLE	PC400-5, OTHERS		
DESIGN RECORD	4010 → 4011 VIBRATION RESISTANCE 4011 → 4012 ROTOR ASSY, COLLAR, STATOR ASSY, F. BRACKET ASSY, PULLEY, PULLEY NUT, FIELD COIL CO, R. BRACKET, COVER CHANGED		
NOTE	22 TYPE V BELT DOUBLE PEAKS CLOCKWISE ROTATION THE OLD MODEL IS 0-35000-4010, 4011. HOWEVER, SUCH COMPONENTS ARE NOT COMPATIBLE AS ROTOR ASSY, COLLAR, STATOR ASSY, FRONT BRACKET ASSY, PULLEY, PULLEY NUT, FIELD COIL CO, REAR BRACKET AND COVER. 0-35000-4010, 4011 AND 4012 SHOULD USE THEIR OWN UNIQUE PARTS. HOW TO IDENTIFY THE OLD / NEW PART NUMBER OF ALTERNATOR ASSY : OLD MODEL USES PLAIN WASHER, SPRING WASHER AND NUT TO FIX PULLEY. NEW MODEL USES FLANGE NUT TO FIX PULLEY.		

0-35000-4012 ALTERNATOR (MAKER PART NO 600-825-5151)

No	Parts Number	Maker Parts No	Description	Qty	List Price	Note
1	0-35100-0418		ROTOR ASSY	1		
1-2	1-33923-0240		COLLAR	1		
1-3	0-35923-0160		COLLAR	1		
1-4	0-09201-0980		BALL BEARING	1		REAR
1-5	0-35926-0070		RETAINER	1		
1-6	0-35951-0060		PACKING	2		
1-7	0-35926-0090		RETAINER	1		
1-8	0-09201-1450		BALL BEARING	1		FRONT
1-9	1-33926-0730		RETAINER	1		
2	0-35200-0528		STATOR ASSY	1		
3	0-35300-0450		F.BRACKET ASSY	1		INCLUDING 1-5~1-9
3-1	0-0275-06802		BOLT	3		THROUGH BOLT
4	0-35411-0568		PULLEY	1		
4-1	0-35421-0170		FAN	1		
4-4	0-09006-0730		NUT	1		
5	0-35120-0528		FIELD COIL CO	1		
7	0-35700-1160		R.BRACKET ASSY	1		INCLUDING 7-1~7-10, 8
7-1	0-35710-1350		REAR BRACKET CO	1		
7-2	0-35730-0510		RECTIFIER ASSY	1		
7-3	0-09170-2501		CONDENSER	1		
7-4	0-35943-0170		INSULATE BUSH	2		
7-5	0-35943-0154		INSULATE BUSH	1		
7-6	0-35923-0134		COLLAR	1		
7-7	0-35943-0160		INSULATE BUSH	1		
7-8	0-35943-0140		INSULATE BUSH	1		
7-9	0-35784-0210		CONNECT BAR	1		
7-10	0-35784-0290		CONNECT BAR	1		
7-11	0-35761-0318		COVER	1		
7-12	0-09011-3540		SCREW	2		
7-13	0-0056-05302		SCREW	3		
8	0-35719-0201		REGULATOR ASSY	1		



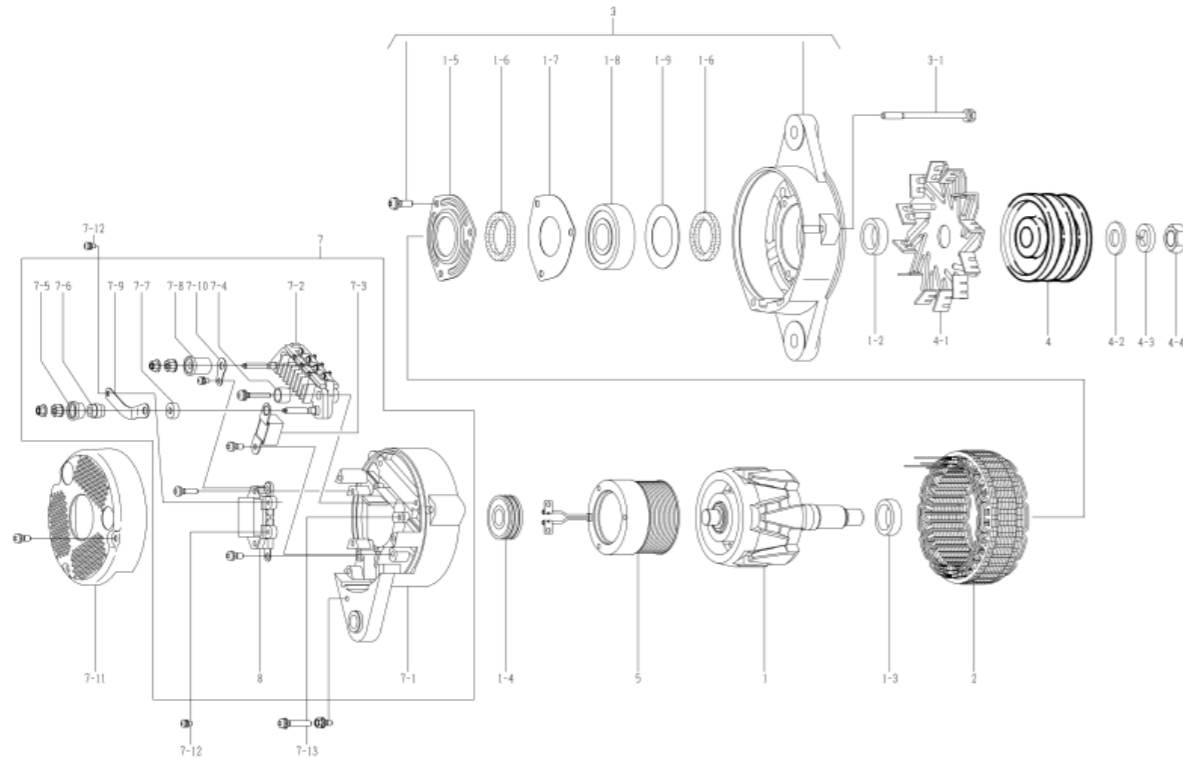
0-35000-4012

0-35000-4030 ALTERNATOR

OEM CUSTOMER	KOMATSU	OEM PARTS NUMBER	
NOMINAL OUT PUT	24V 50A	SUPPLY TERM	97.04~
WEIGHT	11kg	REGULATOR	BUILT-IN
ENGINE MODEL	SAA6D140A-3A, OTHERS		
VEHICLE	HD325-6E, OTHERS		
DESIGN RECORD			
NOTE	<p>10 TYPE V BELT DOUBLE PEAKS COUNTERCLOCKWISE ROTATION PULLEY AND FAN ARE DIFFERENT FROM 0-35000-4010. THE LATEST MODEL IS 0-35000-4032. HOWEVER, SUCH COMPONENTS ARE NOT COMPATIBLE AS ROTOR ASSY, COLLAR, STATOR ASSY, FRONT BRACKET ASSY, PULLEY, PULLEY NUT, FIELD COIL CO, REAR BRACKET AND COVER. 0-35000-4030, 4031 AND 4032 SHOULD USE THEIR OWN UNIQUE PARTS. HOW TO IDENTIFY THE OLD / NEW PART NUMBER OF ALTERNATOR ASSY : OLD MODEL USES PLAIN WASHER, SPRING WASHER AND NUT TO FIX PULLEY. NEW MODEL USES FLANGE NUT TO FIX PULLEY.</p>		

0-35000-4030 ALTERNATOR (MAKER PART NO)

No	Parts Number	Maker Parts No	Description	Qty	List Price	Note
1	0-35100-0300		ROTOR ASSY	1		
1-2	1-33923-0790		COLLAR	1		
1-3	0-35923-0160		COLLAR	1		
1-4	0-09201-0980		BALL BEARING	1		REAR
1-5	0-35926-0070		RETAINER	1		
1-6	0-35951-0060		PACKING	2		
1-7	0-35926-0090		RETAINER	1		
1-8	0-09201-0881		BALL BEARING	1		FRONT
1-9	1-33926-0730		RETAINER	1		
2	0-35200-0440		STATOR ASSY	1		
3	0-35300-0190		F.BRACKET ASSY	1		INCLUDING 1-5~1-9
3-1	0-0275-06802		BOLT	3		THROUGH BOLT
4	0-35411-0630		PULLEY	1		
4-1	0-35421-0050		FAN	1		
4-2	1-0330-16012		PLAIN WASHER	1		
4-3	1-0335-16002		SPRING WASHER	1		
4-4	0-0280-16022		NUT	1		
5	0-35120-0230		FIELD COIL CO	1		
7	0-35700-0820		R.BRACKET ASSY	1		INCLUDING 7-1~7-10, 8
7-1	0-35710-1010		REAR BRACKET CO	1		
7-2	0-35730-0510		RECTIFIER ASSY	1		
7-3	0-09170-2501		CONDENSER	1		
7-4	0-35943-0170		INSULATE BUSH	2		
7-5	0-35943-0150		INSULATE BUSH	1		
7-6	0-35923-0130		COLLAR	1		
7-7	0-35943-0160		INSULATE BUSH	1		
7-8	0-35943-0140		INSULATE BUSH	1		
7-9	0-35784-0240		CONNECT BAR	1		
7-10	0-09120-0770		TERMINAL PLATE	1		
7-11	0-35761-0250		COVER	1		
7-12	0-09011-3540		SCREW	2		
7-13	0-0056-05302		SCREW	3		
8	0-35719-0200		REGULATOR ASSY	1		

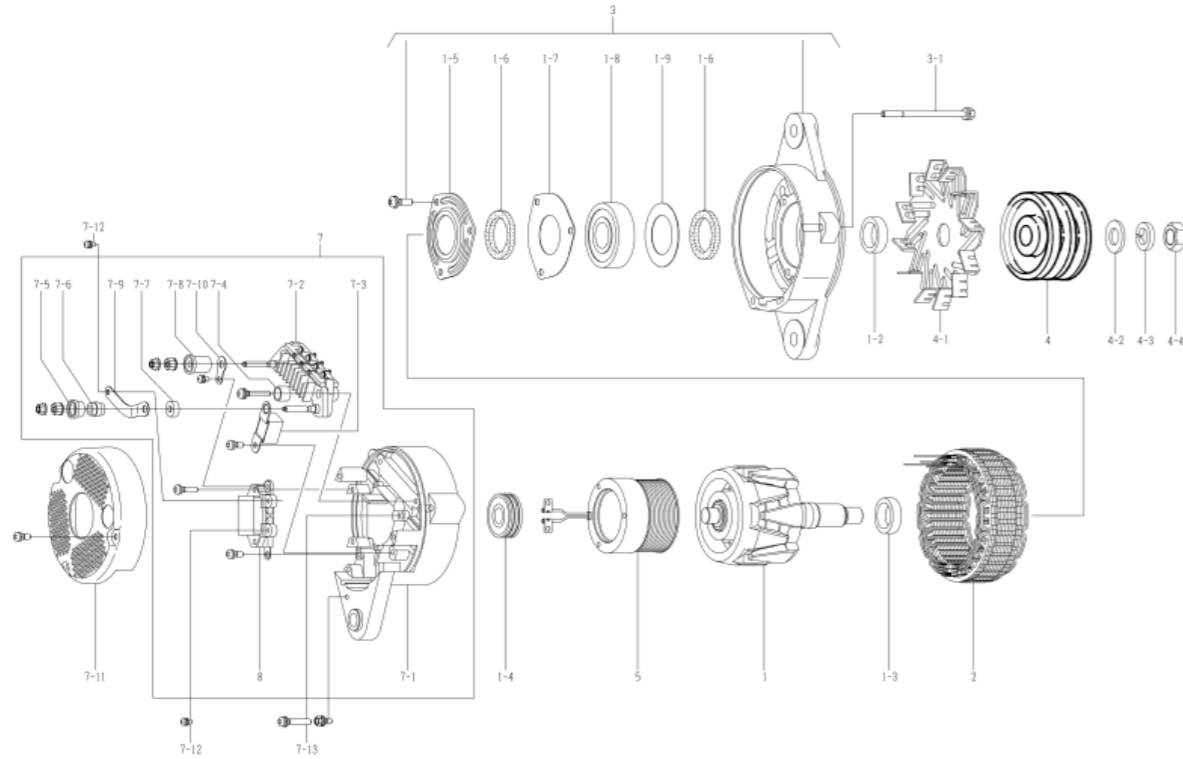


0-35000-4031 ALTERNATOR

OEM CUSTOMER	KOMATSU	OEM PARTS NUMBER	600-825-5110
NOMINAL OUT PUT	24V 50A	SUPPLY TERM	98.05~
WEIGHT	11kg	REGULATOR	BUILT-IN
ENGINE MODEL	SAA6D140A-3A, OTHERS		
VEHICLE	HD325-6E, OTHERS		
DESIGN RECORD	4030 → 4031 VIBRATION RESISTANCE		
NOTE	<p>10 TYPE V BELT DOUBLE PEAKS COUNTERCLOCKWISE ROTATION PULLEY AND FAN ARE DIFFERENT FROM 0-35000-4011. THE LATEST MODEL IS 0-35000-4032. HOWEVER, SUCH COMPONENTS ARE NOT COMPATIBLE AS ROTOR ASSY, COLLAR, STATOR ASSY, FRONT BRACKET ASSY, PULLEY, PULLEY NUT, FIELD COIL CO, REAR BRACKET AND COVER. 0-35000-4030, 4031 AND 4032 SHOULD USE THEIR OWN UNIQUE PARTS. HOW TO IDENTIFY THE OLD / NEW PART NUMBER OF ALTERNATOR ASSY : OLD MODEL USES PLAIN WASHER, SPRING WASHER AND NUT TO FIX PULLEY. NEW MODEL USES FLANGE NUT TO FIX PULLEY.</p>		

0-35000-4031 ALTERNATOR (MAKER PART NO 600-825-5110)

No	Parts Number	Maker Parts No	Description	Qty	List Price	Note
1	0-35100-0300		ROTOR ASSY	1		
1-2	1-33923-0790		COLLAR	1		
1-3	0-35923-0160		COLLAR	1		
1-4	0-09201-0980		BALL BEARING	1		REAR
1-5	0-35926-0070		RETAINER	1		
1-6	0-35951-0060		PACKING	2		
1-7	0-35926-0090		RETAINER	1		
1-8	0-09201-0881		BALL BEARING	1		FRONT
1-9	1-33926-0730		RETAINER	1		
2	0-35200-0440		STATOR ASSY	1		
3	0-35300-0190		F.BRACKET ASSY	1		INCLUDING 1-5~1-9
3-1	0-0275-06802		BOLT	3		THROUGH BOLT
4	0-35411-0631		PULLEY	1		
4-1	0-35421-0050		FAN	1		
4-2	1-0330-16012		PLAIN WASHER	1		
4-3	1-0335-16002		SPRING WASHER	1		
4-4	0-0280-16022		NUT	1		
5	0-35120-0230		FIELD COIL CO	1		
7	0-35700-0822		R.BRACKET ASSY	1		INCLUDING 7-1~7-10, 8
7-1	0-35710-1010		REAR BRACKET CO	1		
7-2	0-35730-0510		RECTIFIER ASSY	1		
7-3	0-09170-2501		CONDENSER	1		
7-4	0-35943-0170		INSULATE BUSH	2		
7-5	0-35943-0150		INSULATE BUSH	1		
7-6	0-35923-0130		COLLAR	1		
7-7	0-35943-0160		INSULATE BUSH	1		
7-8	0-35943-0140		INSULATE BUSH	1		
7-9	0-35784-0210		CONNECT BAR	1		
7-10	0-35784-0290		CONNECT BAR	1		
7-11	0-35761-0250		COVER	1		
7-12	0-09011-3540		SCREW	2		
7-13	0-0056-05302		SCREW	3		
8	0-35719-0201		REGULATOR ASSY	1		

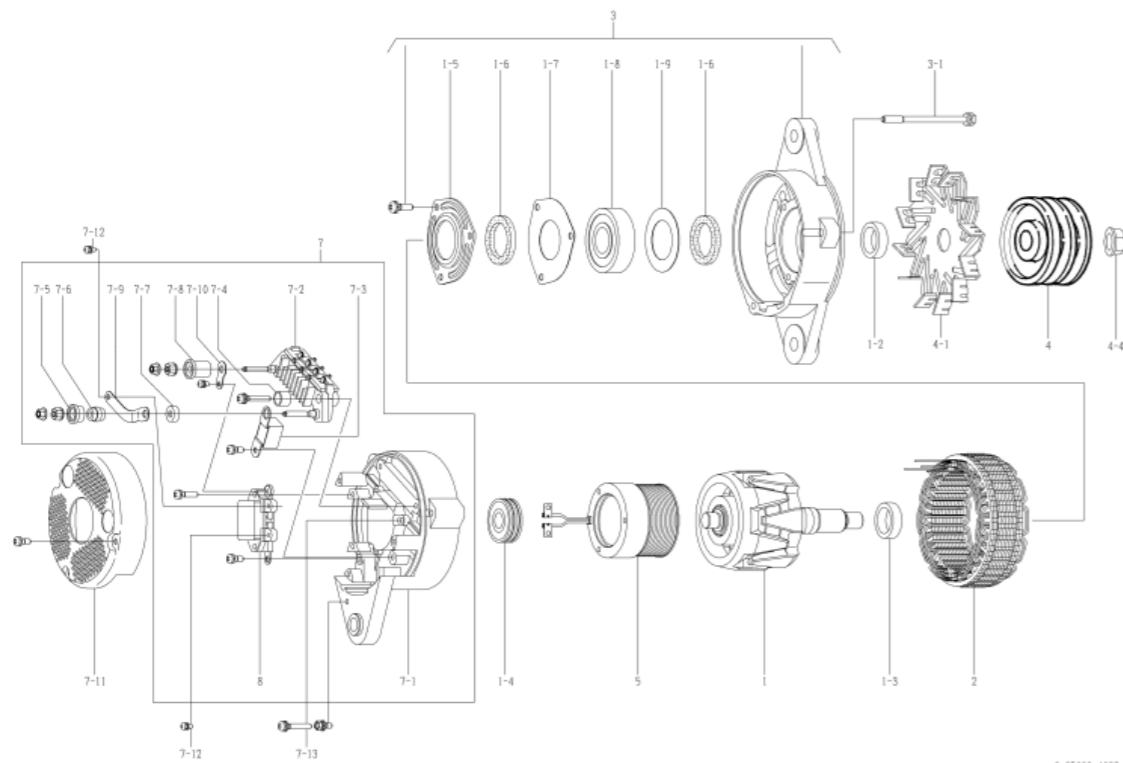


0-35000-4032 ALTERNATOR

OEM CUSTOMER	KOMATSU	OEM PARTS NUMBER	600-825-5111
NOMINAL OUT PUT	24V 50A	SUPPLY TERM	10.01~
WEIGHT	11kg	REGULATOR	BUILT-IN
ENGINE MODEL	SAA6D140A-3A, OTHERS		
VEHICLE	HD325-6E, OTHERS		
DESIGN RECORD	4030 → 4031 VIBRATION RESISTANCE 4031 → 4032 ROTOR ASSY, COLLAR, STATOR ASSY, F. BRACKET ASSY, PULLEY, PULLEY NUT, FIELD COIL CO, R. BRACKET, COVER CHANGED		
NOTE	10 TYPE V BELT DOUBLE PEAKS COUNTERCLOCKWISE ROTATION PULLEY AND FAN ARE DIFFERENT FROM 0-35000-4012. THE OLD MODEL IS 0-35000-4030, 4031. HOWEVER, SUCH COMPONENTS ARE NOT COMPATIBLE AS ROTOR ASSY, COLLAR, STATOR ASSY, FRONT BRACKET ASSY, PULLEY, PULLEY NUT, FIELD COIL CO, REAR BRACKET AND COVER. 0-35000-4030, 4031 AND 4032 SHOULD USE THEIR OWN UNIQUE PARTS. HOW TO IDENTIFY THE OLD / NEW PART NUMBER OF ALTERNATOR ASSY : OLD MODEL USES PLAIN WASHER, SPRING WASHER AND NUT TO FIX PULLEY. NEW MODEL USES FLANGE NUT TO FIX PULLEY.		

0-35000-4032 ALTERNATOR (MAKER PART NO 600-825-5111)

No	Parts Number	Maker Parts No	Description	Qty	List Price	Note
1	0-35100-0418		ROTOR ASSY	1		
1-2	1-33923-0240		COLLAR	1		
1-3	0-35923-0160		COLLAR	1		
1-4	0-09201-0980		BALL BEARING	1		REAR
1-5	0-35926-0070		RETAINER	1		
1-6	0-35951-0060		PACKING	2		
1-7	0-35926-0090		RETAINER	1		
1-8	0-09201-1450		BALL BEARING	1		FRONT
1-9	1-33926-0730		RETAINER	1		
2	0-35200-0528		STATOR ASSY	1		
3	0-35300-0450		F.BRACKET ASSY	1		INCLUDING 1-5~1-9
3-1	0-0275-06802		BOLT	3		THROUGH BOLT
4	0-35411-0638		PULLEY	1		
4-1	0-35421-0050		FAN	1		
4-4	0-09006-0730		NUT	1		
5	0-35120-0528		FIELD COIL CO	1		
7	0-35700-1160		R.BRACKET ASSY	1		INCLUDING 7-1~7-10, 8
7-1	0-35710-1350		REAR BRACKET CO	1		
7-2	0-35730-0510		RECTIFIER ASSY	1		
7-3	0-09170-2501		CONDENSER	1		
7-4	0-35943-0170		INSULATE BUSH	2		
7-5	0-35943-0154		INSULATE BUSH	1		
7-6	0-35923-0134		COLLAR	1		
7-7	0-35943-0160		INSULATE BUSH	1		
7-8	0-35943-0140		INSULATE BUSH	1		
7-9	0-35784-0210		CONNECT BAR	1		
7-10	0-35784-0290		CONNECT BAR	1		
7-11	0-35761-0318		COVER	1		
7-12	0-09011-3540		SCREW	2		
7-13	0-0056-05302		SCREW	3		
8	0-35719-0201		REGULATOR ASSY	1		



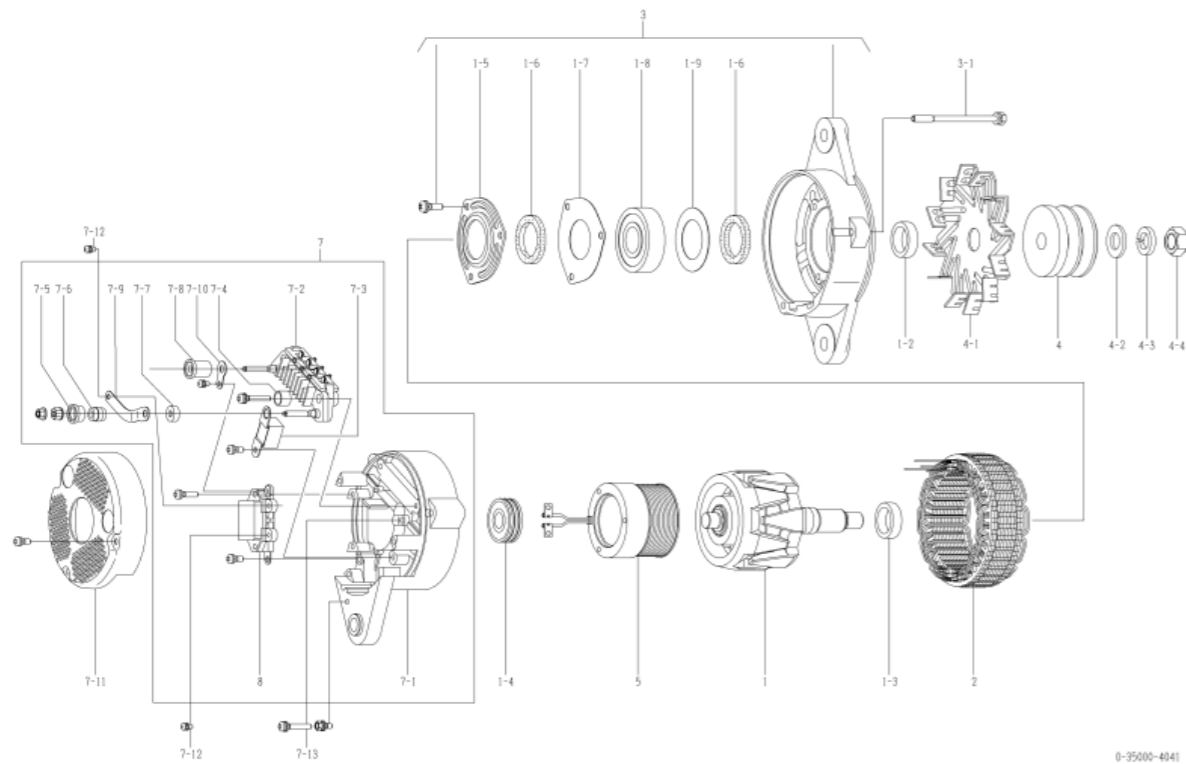
0-35000-4032

0-35000-4041 ALTERNATOR

OEM CUSTOMER	KOMATSU	OEM PARTS NUMBER	600-825-5120
NOMINAL OUT PUT	24V 50A	SUPPLY TERM	98.05~
WEIGHT	11kg	REGULATOR	BUILT-IN
ENGINE MODEL	SAA6D125E-3, OTHERS		
VEHICLE	WA470, WA480-5, OTHERS		
DESIGN RECORD	4040 → 4041 VIBRATION RESISTANCE		
NOTE	<p>17 TYPE V BELT DOUBLE PEAKS CLOCKWISE ROTATION PULLEY IS DIFFERENT FROM 0-35000-4011. THE LATEST MODEL IS 0-35000-4042. HOWEVER, SUCH COMPONENTS ARE NOT COMPATIBLE AS ROTOR ASSY, COLLAR, STATOR ASSY, FRONT BRACKET ASSY, PULLEY, PULLEY NUT, FIELD COIL CO, REAR BRACKET AND COVER. 0-35000-4041 AND 4042 SHOULD USE THEIR OWN UNIQUE PARTS. HOW TO IDENTIFY THE OLD / NEW PART NUMBER OF ALTERNATOR ASSY : OLD MODEL USES PLAIN WASHER, SPRING WASHER AND NUT TO FIX PULLEY. NEW MODEL USES FLANGE NUT TO FIX PULLEY.</p>		

0-35000-4041 ALTERNATOR (MAKER PART NO 600-825-5120)

No	Parts Number	Maker Parts No	Description	Qty	List Price	Note
1	0-35100-0300		ROTOR ASSY	1		
1-2	1-33923-0790		COLLAR	1		
1-3	0-35923-0160		COLLAR	1		
1-4	0-09201-0980		BALL BEARING	1		REAR
1-5	0-35926-0070		RETAINER	1		
1-6	0-35951-0060		PACKING	2		
1-7	0-35926-0090		RETAINER	1		
1-8	0-09201-0881		BALL BEARING	1		FRONT
1-9	1-33926-0730		RETAINER	1		
2	0-35200-0440		STATOR ASSY	1		
3	0-35300-0190		F.BRACKET ASSY	1		INCLUDING 1-5~1-9
3-1	0-0275-06802		BOLT	3		THROUGH BOLT
4	0-35411-0590		PULLEY	1		
4-1	0-35421-0170		FAN	1		
4-2	1-0330-16012		PLAIN WASHER	1		
4-3	1-0335-16002		SPRING WASHER	1		
4-4	0-0280-16022		NUT	1		
5	0-35120-0230		FIELD COIL CO	1		
7	0-35700-0822		R.BRACKET ASSY	1		INCLUDING 7-1~7-10,8
7-1	0-35710-1010		REAR BRACKET CO	1		
7-2	0-35730-0510		RECTIFIER ASSY	1		
7-3	0-09170-2501		CONDENSER	1		
7-4	0-35943-0170		INSULATE BUSH	2		
7-5	0-35943-0150		INSULATE BUSH	1		
7-6	0-35923-0130		COLLAR	1		
7-7	0-35943-0160		INSULATE BUSH	1		
7-8	0-35943-0140		INSULATE BUSH	1		
7-9	0-35784-0210		CONNECT BAR	1		
7-10	0-35784-0290		CONNECT BAR	1		
7-11	0-35761-0250		COVER	1		
7-12	0-09011-3540		SCREW	2		
7-13	0-0056-05302		SCREW	3		
8	0-35719-0201		REGULATOR ASSY	1		

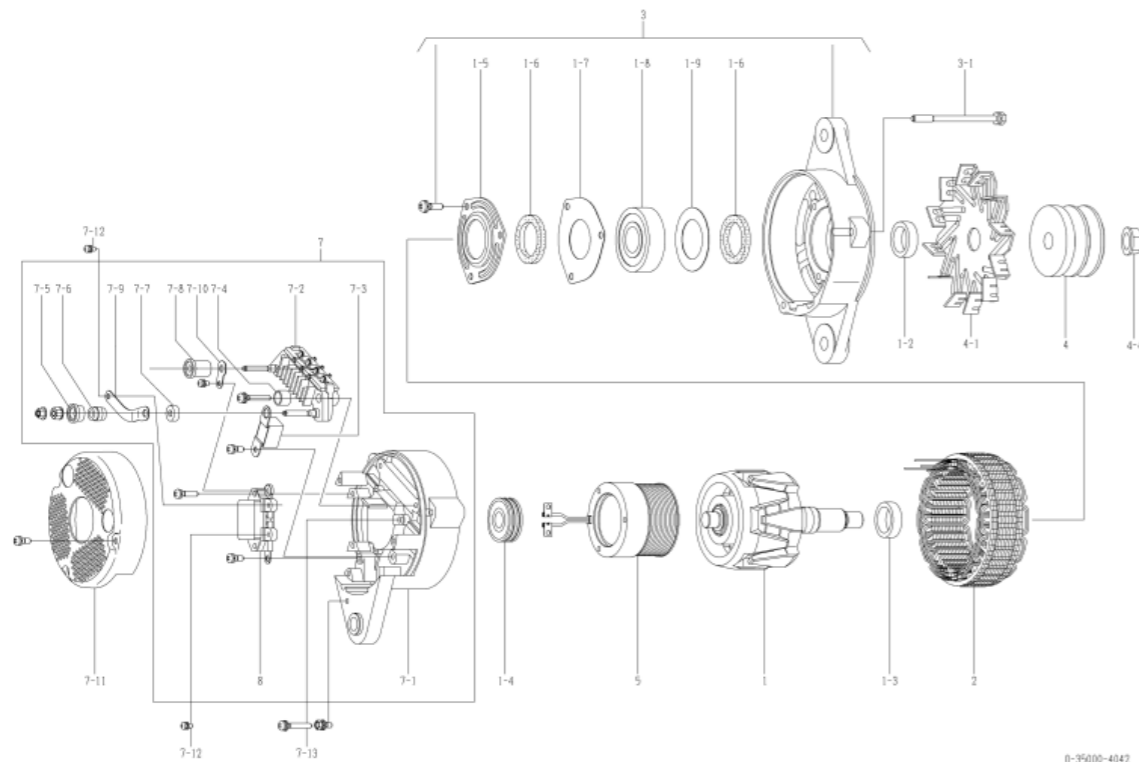


0-35000-4042 ALTERNATOR

OEM CUSTOMER	KOMATSU	OEM PARTS NUMBER	600-825-5121
NOMINAL OUT PUT	24V 50A	SUPPLY TERM	09.02~
WEIGHT	11kg	REGULATOR	BUILT-IN
ENGINE MODEL	SAA6D125E-3, OTHERS		
VEHICLE	WA470, WA480-5, OTHERS		
DESIGN RECORD	4040 → 4041 VIBRATION RESISTANCE 4041 → 4042 ROTOR ASSY, COLLAR, STATOR ASSY, F. BRACKET ASSY, PULLEY, PULLEY NUT, FIELD COIL CO, R. BRACKET, COVER CHANGED		
NOTE	17 TYPE V BELT DOUBLE PEAKS CLOCKWISE ROTATION PULLEY IS DIFFERENT FROM 0-35000-4012. THE OLD MODEL IS 0-35000-4041. HOWEVER, SUCH COMPONENTS ARE NOT COMPATIBLE AS ROTOR ASSY, COLLAR, STATOR ASSY, FRONT BRACKET ASSY, PULLEY, PULLEY NUT, FIELD COIL CO, REAR BRACKET AND COVER. 0-35000-4041 AND 4042 SHOULD USE THEIR OWN UNIQUE PARTS. HOW TO IDENTIFY THE OLD / NEW PART NUMBER OF ALTERNATOR ASSY : OLD MODEL USES PLAIN WASHER, SPRING WASHER AND NUT TO FIX PULLEY. NEW MODEL USES FLANGE NUT TO FIX PULLEY.		

0-35000-4042 ALTERNATOR (MAKER PART NO 600-825-5121)

No	Parts Number	Maker Parts No	Description	Qty	List Price	Note
1	0-35100-0418		ROTOR ASSY	1		
1-2	1-33923-0240		COLLAR	1		
1-3	0-35923-0160		COLLAR	1		
1-4	0-09201-0980		BALL BEARING	1		REAR
1-5	0-35926-0070		RETAINER	1		
1-6	0-35951-0060		PACKING	2		
1-7	0-35926-0090		RETAINER	1		
1-8	0-09201-1450		BALL BEARING	1		FRONT
1-9	1-33926-0730		RETAINER	1		
2	0-35200-0528		STATOR ASSY	1		
3	0-35300-0450		F.BRACKET ASSY	1		INCLUDING 1-5~1-9
3-1	0-0275-06802		BOLT	3		THROUGH BOLT
4	0-35411-0594		PULLEY	1		
4-1	0-35421-0170		FAN	1		
4-4	0-09006-0730		NUT	1		
5	0-35120-0528		FIELD COIL CO	1		
7	0-35700-1160		R.BRACKET ASSY	1		INCLUDING 7-1~7-10, 8
7-1	0-35710-1350		REAR BRACKET CO	1		
7-2	0-35730-0510		RECTIFIER ASSY	1		
7-3	0-09170-2501		CONDENSER	1		
7-4	0-35943-0170		INSULATE BUSH	2		
7-5	0-35943-0154		INSULATE BUSH	1		
7-6	0-35923-0134		COLLAR	1		
7-7	0-35943-0160		INSULATE BUSH	1		
7-8	0-35943-0140		INSULATE BUSH	1		
7-9	0-35784-0210		CONNECT BAR	1		
7-10	0-35784-0290		CONNECT BAR	1		
7-11	0-35761-0318		COVER	1		
7-12	0-09011-3540		SCREW	2		
7-13	0-0056-05302		SCREW	3		
8	0-35719-0201		REGULATOR ASSY	1		



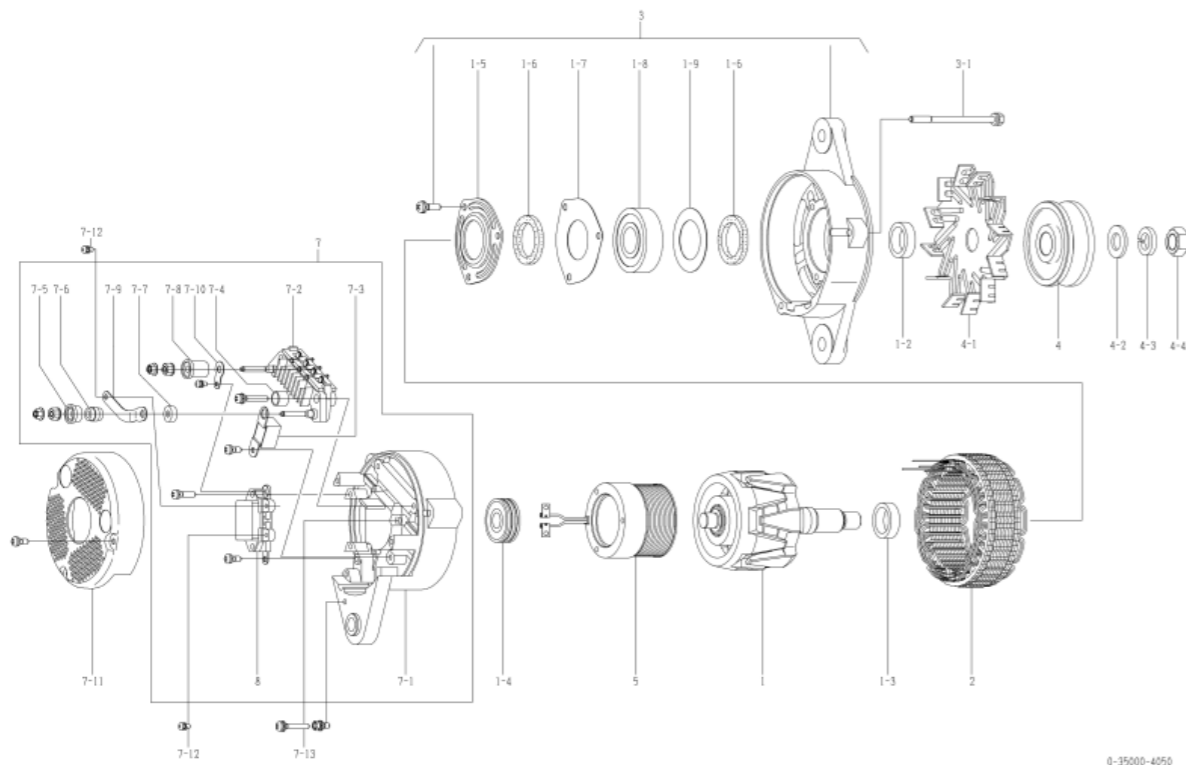
0-35000-4050 ALTERNATOR

OEM CUSTOMER	KOMATSU	OEM PARTS NUMBER	
NOMINAL OUT PUT	24V 50A	SUPPLY TERM	97.04~
WEIGHT	11kg	REGULATOR	BUILT-IN
ENGINE MODEL	SAA6D170E2D		
VEHICLE	PC1100-6		
DESIGN RECORD			
NOTE	<p>19 TYPE V BELT SINGLE PEAK CLOCKWISE ROTATION PULLEY IS DIFFERENT FROM 0-35000-4010. THE LATEST MODEL IS 0-35000-4052. HOWEVER, SUCH COMPONENTS ARE NOT COMPATIBLE AS ROTOR ASSY, COLLAR, STATOR ASSY, FRONT BRACKET ASSY, PULLEY, PULLEY NUT, FIELD COIL CO, REAR BRACKET AND COVER. 0-35000-4050, 4051 AND 4052 SHOULD USE THEIR OWN UNIQUE PARTS. HOW TO IDENTIFY THE OLD / NEW PART NUMBER OF ALTERNATOR ASSY : OLD MODEL USES PLAIN WASHER, SPRING WASHER AND NUT TO FIX PULLEY. NEW MODEL USES FLANGE NUT TO FIX PULLEY.</p>		

0-35000-4050 ALTERNATOR (MAKER PART NO

)

No	Parts Number	Maker Parts No	Description	Qty	List Price	Note
1	0-35100-0300		ROTOR ASSY	1		
1-2	1-33923-0790		COLLAR	1		
1-3	0-35923-0160		COLLAR	1		
1-4	0-09201-0980		BALL BEARING	1		REAR
1-5	0-35926-0070		RETAINER	1		
1-6	0-35951-0060		PACKING	2		
1-7	0-35926-0090		RETAINER	1		
1-8	0-09201-0881		BALL BEARING	1		FRONT
1-9	1-33926-0730		RETAINER	1		
2	0-35200-0440		STATOR ASSY	1		
3	0-35300-0190		F.BRACKET ASSY	1		INCLUDING 1-5~1-9
3-1	0-0275-06802		BOLT	3		THROUGH BOLT
4	0-35411-0600		PULLEY	1		
4-1	0-35421-0170		FAN	1		
4-2	1-0330-16012		PLAIN WASHER	1		
4-3	1-0335-16002		SPRING WASHER	1		
4-4	0-0280-16022		NUT	1		
5	0-35120-0230		FIELD COIL CO	1		
7	0-35700-0820		R.BRACKET ASSY	1		INCLUDING 7-1~7-10, 8
7-1	0-35710-1010		REAR BRACKET CO	1		
7-2	0-35730-0510		RECTIFIER ASSY	1		
7-3	0-09170-2501		CONDENSER	1		
7-4	0-35943-0170		INSULATE BUSH	2		
7-5	0-35943-0150		INSULATE BUSH	1		
7-6	0-35923-0130		COLLAR	1		
7-7	0-35943-0160		INSULATE BUSH	1		
7-8	0-35943-0140		INSULATE BUSH	1		
7-9	0-35784-0240		CONNECT BAR	1		
7-10	0-09120-0770		TERMINAL PLATE	1		
7-11	0-35761-0250		COVER	1		
7-12	0-09011-3540		SCREW	2		
7-13	0-0056-05302		SCREW	3		
8	0-35719-0200		REGULATOR ASSY	1		

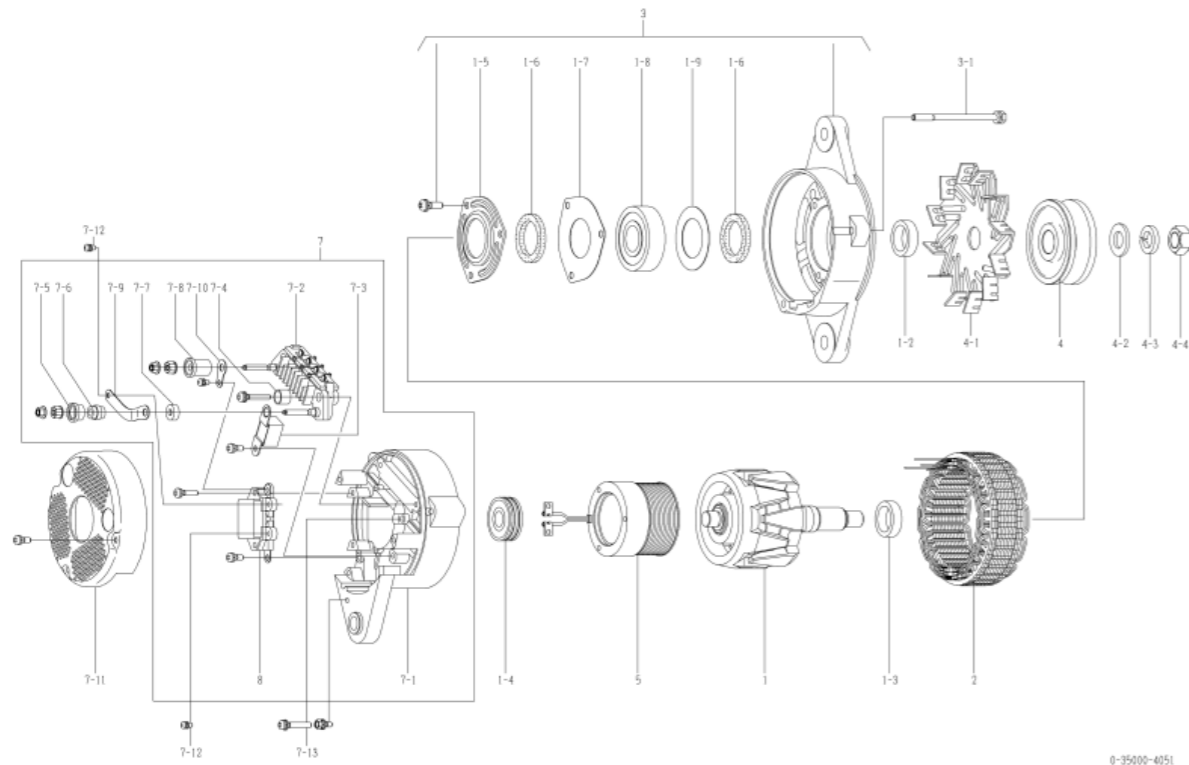


0-35000-4051 ALTERNATOR

OEM CUSTOMER	KOMATSU	OEM PARTS NUMBER	600-825-5130
NOMINAL OUT PUT	24V 50A	SUPPLY TERM	98.05~
WEIGHT	11kg	REGULATOR	BUILT-IN
ENGINE MODEL	SAA6D170E2D		
VEHICLE	PC1100-6		
DESIGN RECORD	4050 → 4051 VIBRATION RESISTANCE		
NOTE	<p>19 TYPE V BELT SINGLE PEAK CLOCKWISE ROTATION PULLEY IS DIFFERENT FROM 0-35000-4011. THE LATEST MODEL IS 0-35000-4052. HOWEVER, SUCH COMPONENTS ARE NOT COMPATIBLE AS ROTOR ASSY, COLLAR, STATOR ASSY, FRONT BRACKET ASSY, PULLEY, PULLEY NUT, FIELD COIL CO, REAR BRACKET AND COVER. 0-35000-4050, 4051 AND 4052 SHOULD USE THEIR OWN UNIQUE PARTS. HOW TO IDENTIFY THE OLD / NEW PART NUMBER OF ALTERNATOR ASSY : OLD MODEL USES PLAIN WASHER, SPRING WASHER AND NUT TO FIX PULLEY. NEW MODEL USES FLANGE NUT TO FIX PULLEY.</p>		

0-35000-4051 ALTERNATOR (MAKER PART NO 600-825-5130)

No	Parts Number	Maker Parts No	Description	Qty	List Price	Note
1	0-35100-0300		ROTOR ASSY	1		
1-2	1-33923-0790		COLLAR	1		
1-3	0-35923-0160		COLLAR	1		
1-4	0-09201-0980		BALL BEARING	1		REAR
1-5	0-35926-0070		RETAINER	1		
1-6	0-35951-0060		PACKING	2		
1-7	0-35926-0090		RETAINER	1		
1-8	0-09201-0881		BALL BEARING	1		FRONT
1-9	1-33926-0730		RETAINER	1		
2	0-35200-0440		STATOR ASSY	1		
3	0-35300-0190		F.BRACKET ASSY	1		INCLUDING 1-5~1-9
3-1	0-0275-06802		BOLT	3		THROUGH BOLT
4	0-35411-0600		PULLEY	1		
4-1	0-35421-0170		FAN	1		
4-2	1-0330-16012		PLAIN WASHER	1		
4-3	1-0335-16002		SPRING WASHER	1		
4-4	0-0280-16022		NUT	1		
5	0-35120-0230		FIELD COIL CO	1		
7	0-35700-0822		R.BRACKET ASSY	1		INCLUDING 7-1~7-10, 8
7-1	0-35710-1010		REAR BRACKET CO	1		
7-2	0-35730-0510		RECTIFIER ASSY	1		
7-3	0-09170-2501		CONDENSER	1		
7-4	0-35943-0170		INSULATE BUSH	2		
7-5	0-35943-0150		INSULATE BUSH	1		
7-6	0-35923-0130		COLLAR	1		
7-7	0-35943-0160		INSULATE BUSH	1		
7-8	0-35943-0140		INSULATE BUSH	1		
7-9	0-35784-0210		CONNECT BAR	1		
7-10	0-35784-0290		CONNECT BAR	1		
7-11	0-35761-0250		COVER	1		
7-12	0-09011-3540		SCREW	2		
7-13	0-0056-05302		SCREW	3		
8	0-35719-0201		REGULATOR ASSY	1		

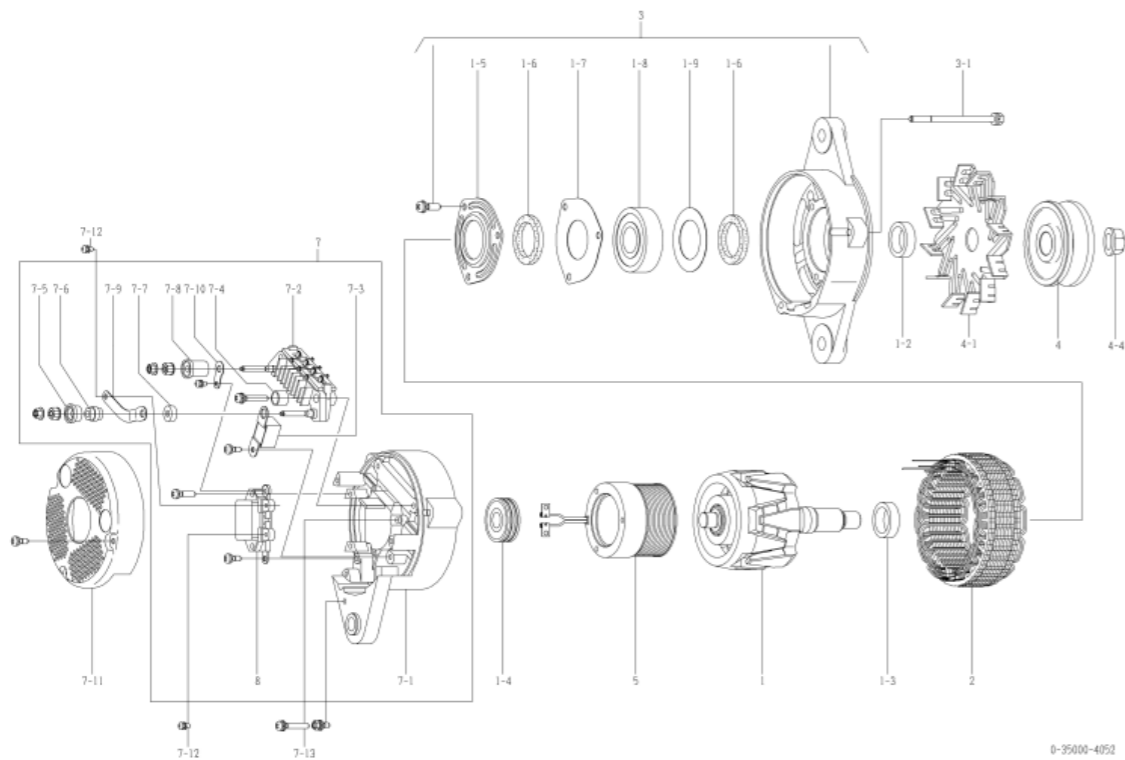


0-35000-4052 ALTERNATOR

OEM CUSTOMER	KOMATSU	OEM PARTS NUMBER	600-825-5131
NOMINAL OUT PUT	24V 50A	SUPPLY TERM	10.01~
WEIGHT	11kg	REGULATOR	BUILT-IN
ENGINE MODEL	SAA6D170E2D		
VEHICLE	PC1100-6		
DESIGN RECORD	4050 → 4051 VIBRATION RESISTANCE 4051 → 4052 ROTOR ASSY, COLLAR, STATOR ASSY, F. BRACKET ASSY, PULLEY, PULLEY NUT, FIELD COIL CO, R. BRACKET, COVER CHANGED		
NOTE	19 TYPE V BELT SINGLE PEAK CLOCKWISE ROTATION PULLEY IS DIFFERENT FROM 0-35000-40121. THE OLD MODEL IS 0-35000-4050, 4051. HOWEVER, SUCH COMPONENTS ARE NOT COMPATIBLE AS ROTOR ASSY, COLLAR, STATOR ASSY, FRONT BRACKET ASSY, PULLEY, PULLEY NUT, FIELD COIL CO, REAR BRACKET AND COVER. 0-35000-4050, 4051 AND 4052 SHOULD USE THEIR OWN UNIQUE PARTS. HOW TO IDENTIFY THE OLD / NEW PART NUMBER OF ALTERNATOR ASSY : OLD MODEL USES PLAIN WASHER, SPRING WASHER AND NUT TO FIX PULLEY. NEW MODEL USES FLANGE NUT TO FIX PULLEY.		

0-35000-4052 ALTERNATOR (MAKER PART NO 600-825-5131)

No	Parts Number	Maker Parts No	Description	Qty	List Price	Note
1	0-35100-0418		ROTOR ASSY	1		
1-2	1-33923-0240		COLLAR	1		
1-3	0-35923-0160		COLLAR	1		
1-4	0-09201-0980		BALL BEARING	1		REAR
1-5	0-35926-0070		RETAINER	1		
1-6	0-35951-0060		PACKING	2		
1-7	0-35926-0090		RETAINER	1		
1-8	0-09201-1450		BALL BEARING	1		FRONT
1-9	1-33926-0730		RETAINER	1		
2	0-35200-0528		STATOR ASSY	1		
3	0-35300-0450		F.BRACKET ASSY	1		INCLUDING 1-5~1-9
3-1	0-0275-06802		BOLT	3		THROUGH BOLT
4	0-35411-0604		PULLEY	1		
4-1	0-35421-0170		FAN	1		
4-4	0-09006-0730		NUT	1		
5	0-35120-0528		FIELD COIL CO	1		
7	0-35700-1160		R.BRACKET ASSY	1		INCLUDING 7-1~7-10, 8
7-1	0-35710-1350		REAR BRACKET CO	1		
7-2	0-35730-0510		RECTIFIER ASSY	1		
7-3	0-09170-2501		CONDENSER	1		
7-4	0-35943-0170		INSULATE BUSH	2		
7-5	0-35943-0154		INSULATE BUSH	1		
7-6	0-35923-0134		COLLAR	1		
7-7	0-35943-0160		INSULATE BUSH	1		
7-8	0-35943-0140		INSULATE BUSH	1		
7-9	0-35784-0210		CONNECT BAR	1		
7-10	0-35784-0290		CONNECT BAR	1		
7-11	0-35761-0318		COVER	1		
7-12	0-09011-3540		SCREW	2		
7-13	0-0056-05302		SCREW	3		
8	0-35719-0201		REGULATOR ASSY	1		

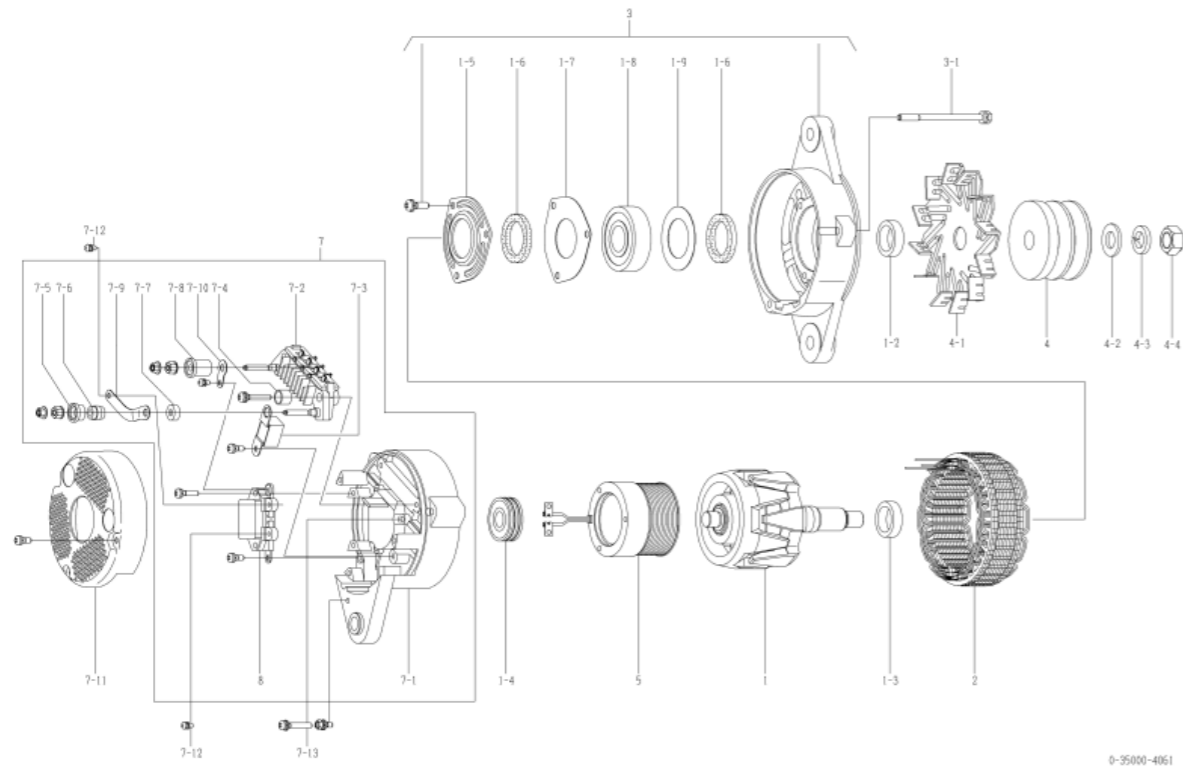


0-35000-4061 ALTERNATOR

OEM CUSTOMER	KOMATSU	OEM PARTS NUMBER	600-825-5250
NOMINAL OUT PUT	24V 50A	SUPPLY TERM	98.05~
WEIGHT	11kg	REGULATOR	BUILT-IN
ENGINE MODEL	SAA6D125E-3M		
VEHICLE	GD755-3		
DESIGN RECORD	4060 → 4061 VIBRATION RESISTANCE		
NOTE	<p>22 TYPE V BELT DOUBLE PEAKS CLOCKWISE ROTATION PULLEY IS DIFFERENT FROM 0-35000-4011. THE LATEST MODEL IS 0-35000-4062. HOWEVER, SUCH COMPONENTS ARE NOT COMPATIBLE AS ROTOR ASSY, COLLAR, STATOR ASSY, FRONT BRACKET ASSY, PULLEY, PULLEY NUT, FIELD COIL CO, REAR BRACKET AND COVER. 0-35000-4061, 4062 SHOULD USE THEIR OWN UNIQUE PARTS. HOW TO IDENTIFY THE OLD / NEW PART NUMBER OF ALTERNATOR ASSY : OLD MODEL USES PLAIN WASHER, SPRING WASHER AND NUT TO FIX PULLEY. NEW MODEL USES FLANGE NUT TO FIX PULLEY.</p>		

0-35000-4061 ALTERNATOR (MAKER PART NO 600-825-5250)

No	Parts Number	Maker Parts No	Description	Qty	List Price	Note
1	0-35100-0300		ROTOR ASSY	1		
1-2	1-33923-0790		COLLAR	1		
1-3	0-35923-0160		COLLAR	1		
1-4	0-09201-0980		BALL BEARING	1		REAR
1-5	0-35926-0070		RETAINER	1		
1-6	0-35951-0060		PACKING	2		
1-7	0-35926-0090		RETAINER	1		
1-8	0-09201-0881		BALL BEARING	1		FRONT
1-9	1-33926-0730		RETAINER	1		
2	0-35200-0440		STATOR ASSY	1		
3	0-35300-0190		F.BRACKET ASSY	1		INCLUDING 1-5~1-9
3-1	0-0275-06802		BOLT	3		THROUGH BOLT
4	0-35411-0180		PULLEY	1		
4-1	0-35421-0170		FAN	1		
4-2	1-0330-16012		PLAIN WASHER	1		
4-3	1-0335-16002		SPRING WASHER	1		
4-4	0-0280-16022		NUT	1		
5	0-35120-0230		FIELD COIL CO	1		
7	0-35700-0822		R.BRACKET ASSY	1		INCLUDING 7-1~7-10, 8
7-1	0-35710-1010		REAR BRACKET CO	1		
7-2	0-35730-0510		RECTIFIER ASSY	1		
7-3	0-09170-2501		CONDENSER	1		
7-4	0-35943-0170		INSULATE BUSH	2		
7-5	0-35943-0150		INSULATE BUSH	1		
7-6	0-35923-0130		COLLAR	1		
7-7	0-35943-0160		INSULATE BUSH	1		
7-8	0-35943-0140		INSULATE BUSH	1		
7-9	0-35784-0210		CONNECT BAR	1		
7-10	0-35784-0290		CONNECT BAR	1		
7-11	0-35761-0250		COVER	1		
7-12	0-09011-3540		SCREW	2		
7-13	0-0056-05302		SCREW	3		
8	0-35719-0201		REGULATOR ASSY	1		

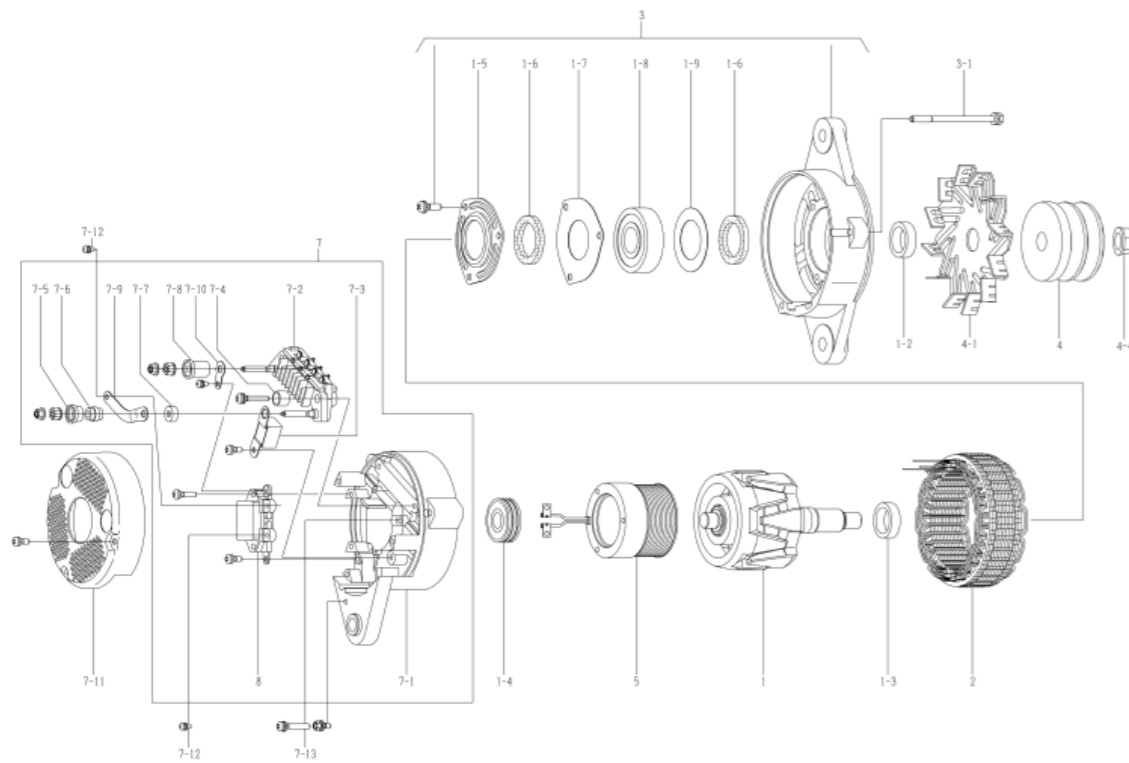


0-35000-4062 ALTERNATOR

OEM CUSTOMER	KOMATSU	OEM PARTS NUMBER	600-825-5251
NOMINAL OUT PUT	24V 50A	SUPPLY TERM	10.01~
WEIGHT	11kg	REGULATOR	BUILT-IN
ENGINE MODEL	SAA6D125E-3M		
VEHICLE	GD755-3		
DESIGN RECORD	4060 → 4061 VIBRATION RESISTANCE 4061 → 4062 ROTOR ASSY, COLLAR, STATOR ASSY, F. BRACKET ASSY, PULLEY, PULLEY NUT, FIELD COIL CO, R. BRACKET, COVER CHANGED		
NOTE	22 TYPE V BELT DOUBLE PEAKS CLOCKWISE ROTATION PULLEY IS DIFFERENT FROM 0-35000-4012. THE OLD MODEL IS 0-35000-4061. HOWEVER, SUCH COMPONENTS ARE NOT COMPATIBLE AS ROTOR ASSY, COLLAR, STATOR ASSY, FRONT BRACKET ASSY, PULLEY, PULLEY NUT, FIELD COIL CO, REAR BRACKET AND COVER. 0-35000-4061, 4062 SHOULD USE THEIR OWN UNIQUE PARTS. HOW TO IDENTIFY THE OLD / NEW PART NUMBER OF ALTERNATOR ASSY : OLD MODEL USES PLAIN WASHER, SPRING WASHER AND NUT TO FIX PULLEY. NEW MODEL USES FLANGE NUT TO FIX PULLEY.		

0-35000-4062 ALTERNATOR (MAKER PART NO 600-825-5251)

No	Parts Number	Maker Parts No	Description	Qty	List Price	Note
1	0-35100-0418		ROTOR ASSY	1		
1-2	1-33923-0240		COLLAR	1		
1-3	0-35923-0160		COLLAR	1		
1-4	0-09201-0980		BALL BEARING	1		REAR
1-5	0-35926-0070		RETAINER	1		
1-6	0-35951-0060		PACKING	2		
1-7	0-35926-0090		RETAINER	1		
1-8	0-09201-1450		BALL BEARING	1		FRONT
1-9	1-33926-0730		RETAINER	1		
2	0-35200-0528		STATOR ASSY	1		
3	0-35300-0450		F.BRACKET ASSY	1		INCLUDING 1-5~1-9
3-1	0-0275-06802		BOLT	3		THROUGH BOLT
4	0-35411-0188		PULLEY	1		
4-1	0-35421-0170		FAN	1		
4-4	0-09006-0730		NUT	1		
5	0-35120-0528		FIELD COIL CO	1		
7	0-35700-1160		R.BRACKET ASSY	1		INCLUDING 7-1~7-10, 8
7-1	0-35710-1350		REAR BRACKET CO	1		
7-2	0-35730-0510		RECTIFIER ASSY	1		
7-3	0-09170-2501		CONDENSER	1		
7-4	0-35943-0170		INSULATE BUSH	2		
7-5	0-35943-0154		INSULATE BUSH	1		
7-6	0-35923-0134		COLLAR	1		
7-7	0-35943-0160		INSULATE BUSH	1		
7-8	0-35943-0140		INSULATE BUSH	1		
7-9	0-35784-0210		CONNECT BAR	1		
7-10	0-35784-0290		CONNECT BAR	1		
7-11	0-35761-0318		COVER	1		
7-12	0-09011-3540		SCREW	2		
7-13	0-0056-05302		SCREW	3		
8	0-35719-0201		REGULATOR ASSY	1		

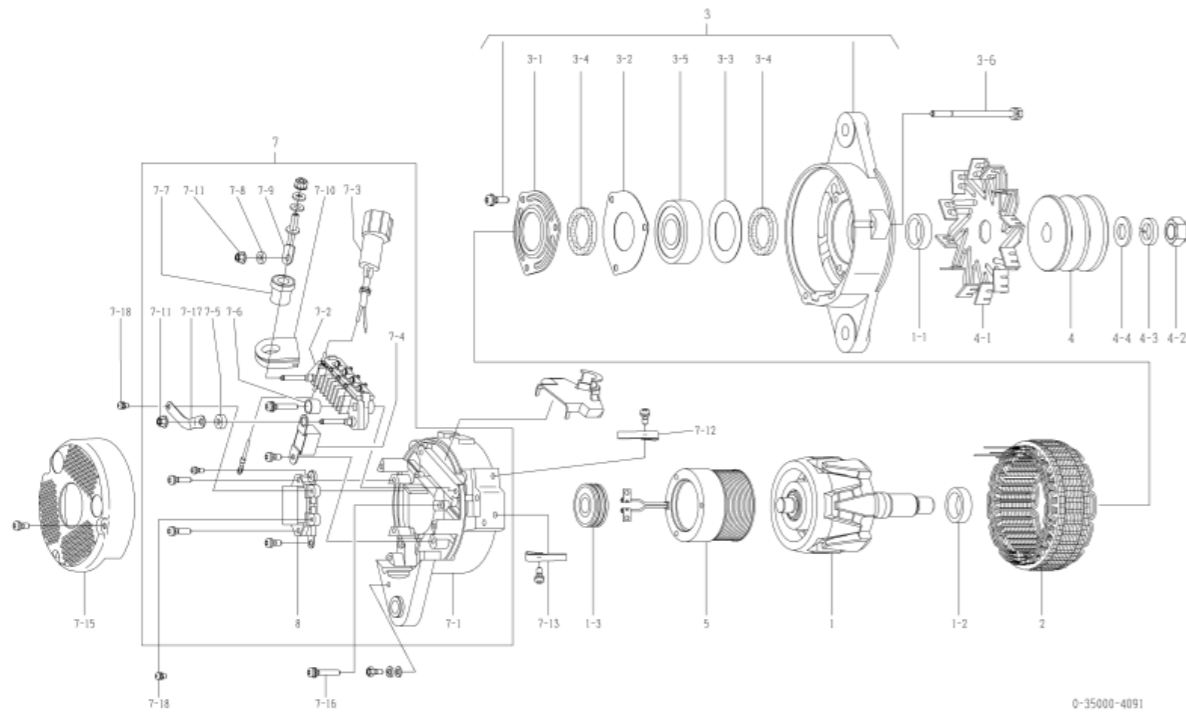


0-35000-4091 ALTERNATOR

OEM CUSTOMER	ISUZU	OEM PARTS NUMBER	1-81200500-0
NOMINAL OUT PUT	24V 50A	SUPPLY TERM	98.07~
WEIGHT	10kg	REGULATOR	BUILT-IN
ENGINE MODEL	6BGIMTC		
VEHICLE			
DESIGN RECORD			
NOTE	V15 TYPE V BELT DOUBLE PEAKS SINGLE WIRE MARINE SPECIFICATION CLOCKWISE ROTATION		

0-35000-4091 ALTERNATOR (MAKER PART NO 1-81200500-0)

No	Parts Number	Maker Parts No	Description	Qty	List Price	Note
1	0-35100-0300	1-81211121-0	ROTOR ASSY	1		
1-1	1-33923-0790	1-81229642-0	COLLAR	1		
1-2	0-35923-0160	1-81229722-0	COLLAR	1		
1-3	0-09201-0980	1-81229723-0	BALL BEARING	1		REAR
2	0-35200-0440	1-81211122-0	STATOR ASSY	1		
3	0-35300-0221	1-81213094-0	F. BRACKET ASSY	1		INCLUDING 3-1~3-5
3-1	0-35926-0070	1-81229643-0	RETAINER	1		
3-2	0-35926-0090	8-97094161-0	RETAINER	1		
3-3	1-33926-0730	1-81229526-0	RETAINER	1		
3-4	0-35951-0060	1-81229644-0	PACKING	2		
3-5	0-09201-0881	1-81229740-0	BALL BEARING	1		FRONT
3-6	0-0275-06802	1-81229382-0	BOLT	3		THROUGH BOLT
4	0-35411-0100	1-81222055-0	PULLEY	1		
4-1	0-35421-0170	1-81223019-0	FAN	1		
4-2	0-0280-16022	1-81229474-0	NUT	1		
4-3	1-0335-16002	1-81229479-0	SPRING WASHER	1		
4-4	1-0330-16012	1-81229478-0	PLAIN WASHER	1		
5	0-35120-0230	1-81222102-0	FIELD COIL CO	1		
7	0-35700-0870	1-81214354-0	R.BRACKET ASSY	1		INCLUDING 7-1~7-11,7-17, 8
7-1	0-35710-0970	1-81214340-0	REAR BRACKET CO	1		
7-2	0-35730-0630	1-81219117-0	RECTIFIER ASSY	1		
7-3	0-35780-0730	1-81229762-0	TERMINAL ASSY	1		GUM BUSH NOT INCLUDED
7-4	0-09170-2501	1-84132012-0	CONDENSER	1		
7-5	0-35943-0160	1-81229727-0	INSULATE BUSH	1		
7-6	0-35943-0170	1-81229728-0	INSULATE BUSH	2		
7-7	0-35943-0220	1-81229729-0	INSULATE BUSH	1		
7-8	0-35923-0170	1-81229730-0	COLLAR	1		
7-9	0-35901-0210	1-81229731-0	BOLT	1		
7-10	0-35951-0100	1-81229732-0	PACKING	1		
7-11	0-33902-0080	8-98040690-0	NUT	2		
7-12	1-33931-0060	1-81118011-0	CLIP	1		
7-13	0-35931-0020	1-81229516-0	CLIP	1		
7-15	0-35761-0240	1-81214343-0	COVER	1		
7-16	0-0056-05302	1-81229733-0	SCREW	3		
7-17	0-35784-0240		CONNECT BAR	1		
7-18	0-09011-3540		SCREW	2		
8	0-35719-0151	1-81260015-0	REGULATOR ASSY	1		

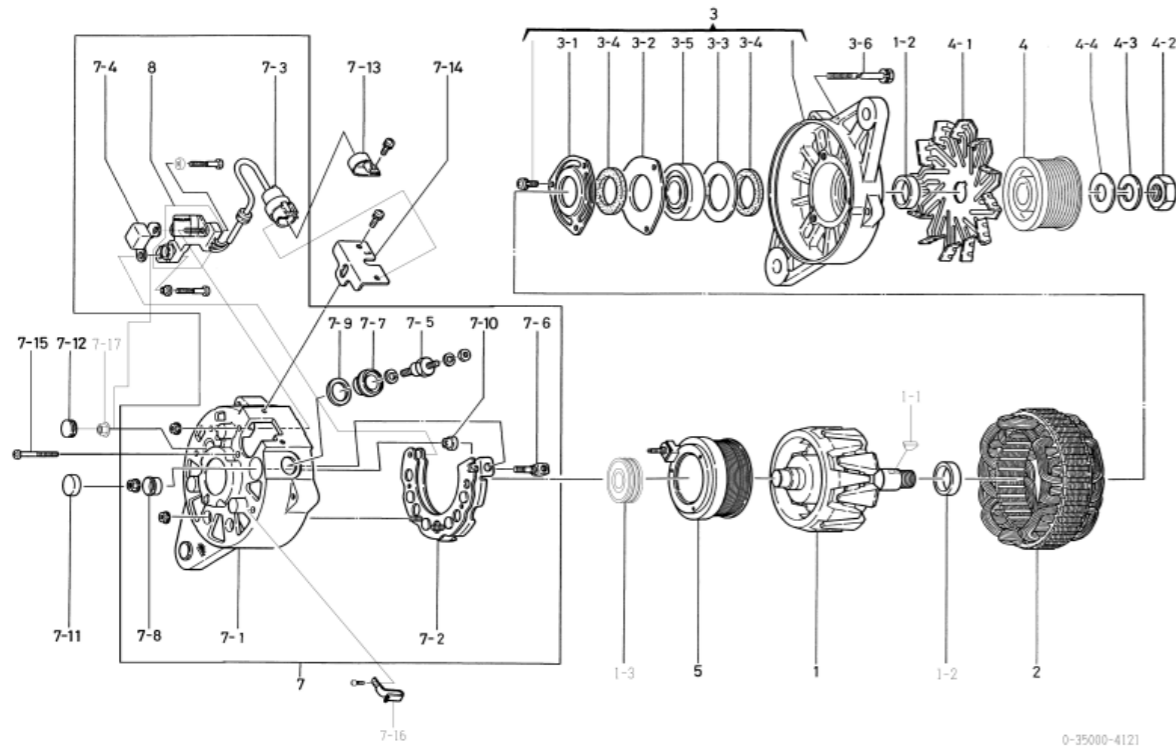


0-35000-4121 ALTERNATOR

OEM CUSTOMER	ISUZU	OEM PARTS NUMBER	8-94390701-1
NOMINAL OUT PUT	24V 40A	SUPPLY TERM	98.03~
WEIGHT	9 kg	REGULATOR	BUILT-IN
ENGINE MODEL	6H, 6HL1		
VEHICLE	FR, FRR, FRD		
DESIGN RECORD	4120 → 4121 NAME PLATE ATTACHING LOCATION CHANGED		
NOTE	K TYPE V BELT EIGHT PEAKS SLOW CHARGING TYPE CLOCKWISE ROTATION		

0-35000-4121 ALTERNATOR (MAKER PART NO 8-94390701-1)

No	Parts Number	Maker Parts No	Description	Qty	List Price	Note
1	0-35100-0330	1-81221097-0	ROTOR ASSY	1		
1-1	1-0416-04160	9-82215867-0	WOODRUFF KEY	1		
1-2	0-35923-0190	1-81229757-0	COLLAR	2		REAR
1-3	1-09201-0460	1-81229393-0	BALL BEARING	1		
2	0-35200-0350	1-81211106-1	STATOR ASSY	1		INCLUDING 3-1~3-5
3	0-35300-0280	1-81213097-0	F.BRACKET ASSY	1		
3-1	0-35926-0120	1-81229759-0	RETAINER	1		
3-2	0-35926-0130	1-81229760-0	RETAINER	1		
3-3	0-35926-0140	1-81229761-0	RETAINER	1		
3-4	0-35951-0060	1-81229644-0	PACKING	2		
3-5	0-09201-1120	1-81229758-0	BALL BEARING	1		FRONT
3-6	0-0275-06802	1-81229382-0	BO	3		THROUGH BOLT
4	0-35411-0840	1-81222113-0	PULLEY	1		
4-1	0-35421-0110	1-81223016-0	FAN	1		
4-2	0-0280-16022	1-81229474-0	NUT	1		
4-3	1-0335-16002	1-81229479-0	SPRING WASHER	1		
4-4	1-0330-16012	1-81229478-0	PLAIN WASHER	1		
5	0-35120-0110	1-81212011-0	FIELD COIL CO	1		
7	0-35700-0421	1-81214294-1	R.BRACKET ASSY	1		INCLUDING 7-1~7-10, 8
7-1	0-35710-0481	1-81214295-1	REAR BRACKET CO	1		
7-2	0-35730-0270	1-81219107-0	RECTIFIER ASSY	1		
7-3	0-35780-0070	1-81229517-0	TERMINAL ASSY	1		GUM BUSH NOT INCLUDED
7-4	0-09170-2000	1-84132008-0	CONDENSER	1		
7-5	0-35901-0060	1-81229646-0	BOLT	1		
7-6	0-35901-0070	1-81229647-0	BOLT	1		
7-7	0-35943-0080	1-81229648-0	INSULATE BUSH	1		
7-8	0-35943-0090	1-81229649-0	INSULATE BUSH	1		
7-9	0-35951-0070	1-81229651-0	PACKING	1		
7-10	0-35943-0070	1-81229650-0	INSULATE BUSH	1		
7-11	0-09252-0570	1-81229652-0	GUM CAP	1		
7-12	0-09252-0580	1-81229653-0	GUM CAP	1		
7-13	0-35927-0010	1-81217053-0	HOLDER	1		
7-14	0-35761-0130	1-81214296-0	COVER	1		
7-15	0-0056-05452	1-81229477-0	SCREW	3		
7-16	0-35931-0020	1-81229516-0	CLIP	1		
7-17	0-33902-0080	8-98040690-0	NUT	1		
8	0-35719-0060	1-81260007-0	REGULATOR ASSY	1		

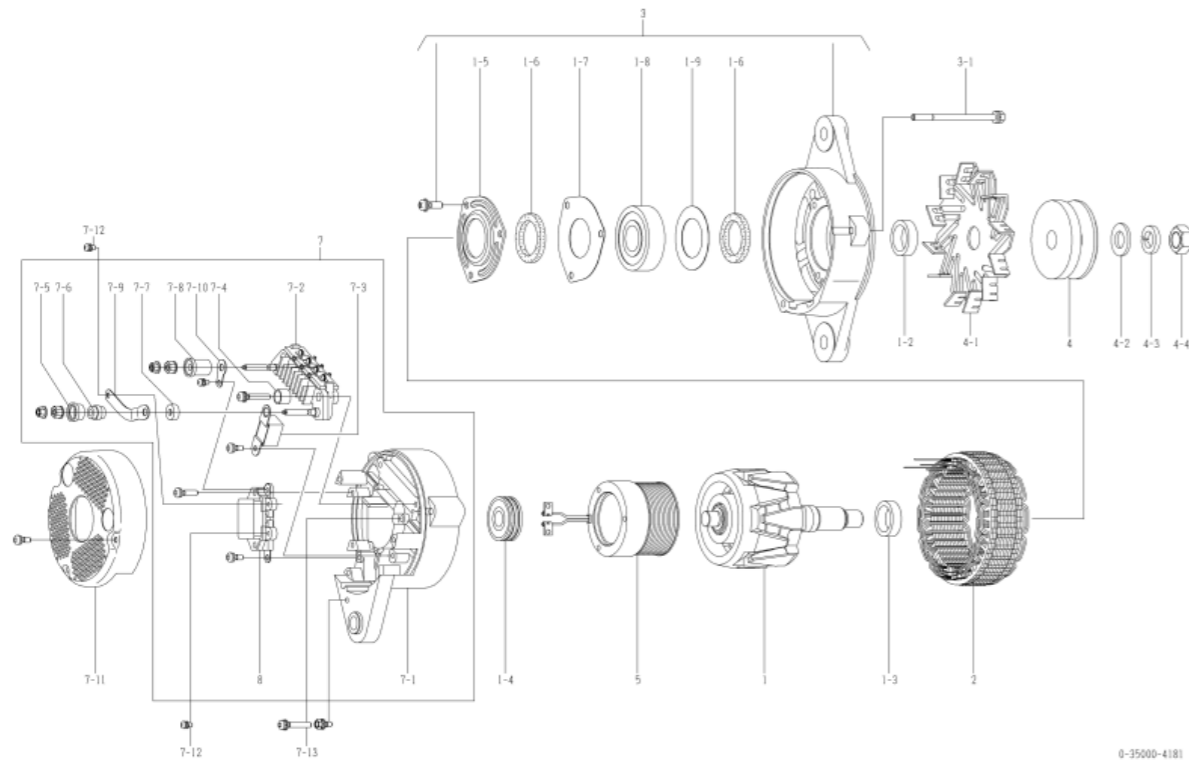


0-35000-4181 ALTERNATOR

OEM CUSTOMER	KOMATSU	OEM PARTS NUMBER	600-825-5230
NOMINAL OUT PUT	24V 50A	SUPPLY TERM	98.05~
WEIGHT	11kg	REGULATOR	BUILT-IN
ENGINE MODEL	SAA6D170E-2D		
VEHICLE	PC1100-6		
DESIGN RECORD	4180 → 4181 CONNECT BAR, FIELD COIL, CONDENSER CHANGED		
NOTE	<p>19 TYPE V BELT SINGLE PEAK (QUENCHED) CLOCKWISE ROTATION PULLEY IS DIFFERENT FROM 0-35000-4011. THE LATEST MODEL IS 0-35000-4182. HOWEVER, SUCH COMPONENTS ARE NOT COMPATIBLE AS ROTOR ASSY, COLLAR, STATOR ASSY, FRONT BRACKET ASSY, PULLEY, PULLEY NUT, FIELD COIL CO, REAR BRACKET AND COVER. 0-35000-4181, 4182 SHOULD USE THEIR OWN UNIQUE PARTS. HOW TO IDENTIFY THE OLD / NEW PART NUMBER OF ALTERNATOR ASSY : OLD MODEL USES PLAIN WASHER, SPRING WASHER AND NUT TO FIX PULLEY. NEW MODEL USES FLANGE NUT TO FIX PULLEY.</p>		

0-35000-4181 ALTERNATOR (MAKER PART NO 600-825-5230)

No	Parts Number	Maker Parts No	Description	Qty	List Price	Note
1	0-35100-0300		ROTOR ASSY	1		
1-2	1-33923-0790		COLLAR	1		
1-3	0-35923-0160		COLLAR	1		
1-4	0-09201-0980		BALL BEARING	1		REAR
1-5	0-35926-0070		RETAINER	1		
1-6	0-35951-0060		PACKING	2		
1-7	0-35926-0090		RETAINER	1		
1-8	0-09201-0881		BALL BEARING	1		FRONT
1-9	1-33926-0730		RETAINER	1		
2	0-35200-0440		STATOR ASSY	1		
3	0-35300-0190		F.BRACKET ASSY	1		INCLUDING 1-5~1-9
3-1	0-0275-06802		BOLT	3		THROUGH BOLT
4	0-35411-0760		PULLEY	1		
4-1	0-35421-0170		FAN	1		
4-2	1-0330-16012		PLAIN WASHER	1		
4-3	1-0335-16002		SPRING WASHER	1		
4-4	0-0280-16022		NUT	1		
5	0-35120-0230		FIELD COIL CO	1		
7	0-35700-0822		R.BRACKET ASSY	1		INCLUDING 7-1~7-10, 8
7-1	0-35710-1010		REAR BRACKET CO	1		
7-2	0-35730-0510		RECTIFIER ASSY	1		
7-3	0-09170-2501		CONDENSER	1		
7-4	0-35943-0170		INSULATE BUSH	2		
7-5	0-35943-0150		INSULATE BUSH	1		
7-6	0-35923-0130		COLLAR	1		
7-7	0-35943-0160		INSULATE BUSH	1		
7-8	0-35943-0140		INSULATE BUSH	1		
7-9	0-35784-0210		CONNECT BAR	1		
7-10	0-35784-0290		CONNECT BAR	1		
7-11	0-35761-0250		COVER	1		
7-12	0-09011-3540		SCREW	2		
7-13	0-0056-05302		SCREW	3		
8	0-35719-0201		REGULATOR ASSY	1		

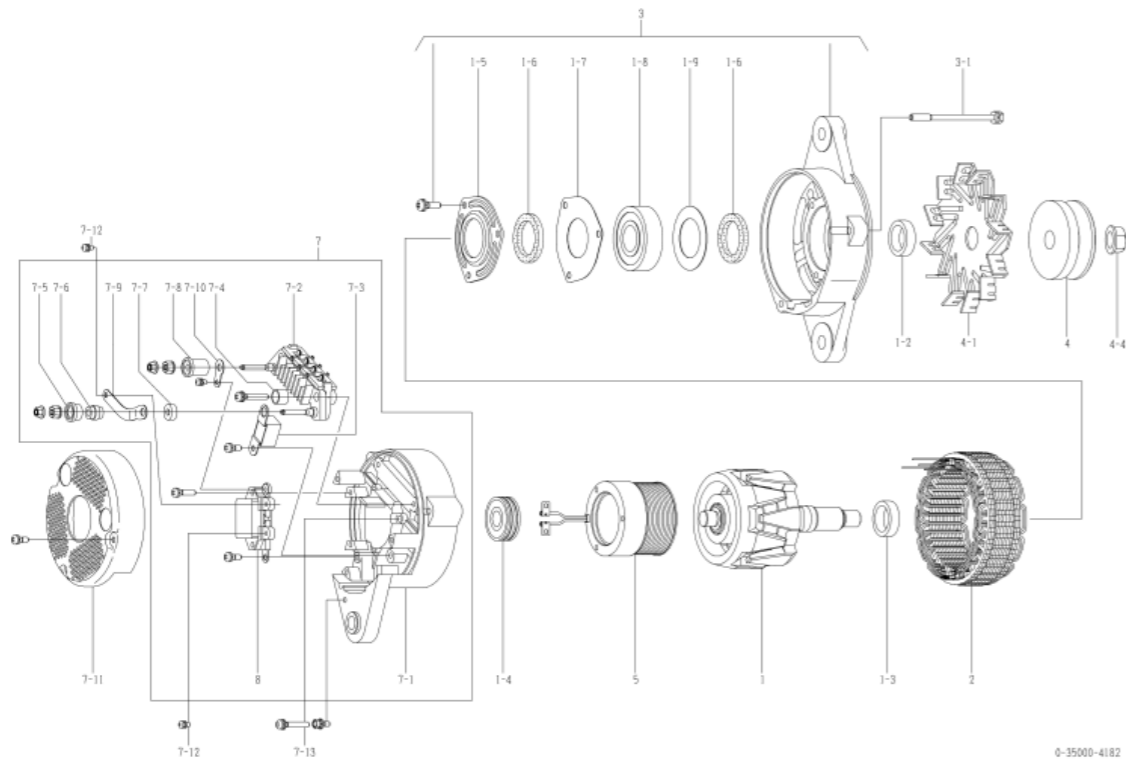


0-35000-4182 ALTERNATOR

OEM CUSTOMER	KOMATSU	OEM PARTS NUMBER	600-825-5231
NOMINAL OUT PUT	24V 50A	SUPPLY TERM	10.01~
WEIGHT	11kg	REGULATOR	BUILT-IN
ENGINE MODEL	SAA6D170E-2D		
VEHICLE	PC1100-6		
DESIGN RECORD	4180 → 4181 CONNECT BAR, FIELD COIL, CONDENSER CHANGED 4181 → 4182 ROTOR ASSY, COLLAR, STATOR ASSY, F. BRACKET ASSY, PULLEY, PULLEY NUT, FIELD COIL CO, R. BRACKET, COVER CHANGED		
NOTE	19 TYPE V BELT SINGLE PEAK (QUENCHED) CLOCKWISE ROTATION PULLEY IS DIFFERENT FROM 0-35000-4012. THE OLD MODEL IS 0-35000-4181. HOWEVER, SUCH COMPONENTS ARE NOT COMPATIBLE AS ROTOR ASSY, COLLAR, STATOR ASSY, FRONT BRACKET ASSY, PULLEY, PULLEY NUT, FIELD COIL CO, REAR BRACKET AND COVER. 0-35000-4181, 4182 SHOULD USE THEIR OWN UNIQUE PARTS. HOW TO IDENTIFY THE OLD / NEW PART NUMBER OF ALTERNATOR ASSY : OLD MODEL USES PLAIN WASHER, SPRING WASHER AND NUT TO FIX PULLEY. NEW MODEL USES FLANGE NUT TO FIX PULLEY.		

0-35000-4182 ALTERNATOR (MAKER PART NO 600-825-5231)

No	Parts Number	Maker Parts No	Description	Qty	List Price	Note
1	0-35100-0418		ROTOR ASSY	1		
1-2	1-33923-0240		COLLAR	1		
1-3	0-35923-0160		COLLAR	1		
1-4	0-09201-0980		BALL BEARING	1		REAR
1-5	0-35926-0070		RETAINER	1		
1-6	0-35951-0060		PACKING	2		
1-7	0-35926-0090		RETAINER	1		
1-8	0-09201-1450		BALL BEARING	1		FRONT
1-9	1-33926-0730		RETAINER	1		
2	0-35200-0528		STATOR ASSY	1		
3	0-35300-0450		F.BRACKET ASSY	1		INCLUDING 1-5~1-9
3-1	0-0275-06802		BOLT	3		THROUGH BOLT
4	0-35411-0764		PULLEY	1		
4-1	0-35421-0170		FAN	1		
4-4	0-09006-0730		NUT	1		
5	0-35120-0528		FIELD COIL CO	1		
7	0-35700-1160		R.BRACKET ASSY	1		INCLUDING 7-1~7-10, 8
7-1	0-35710-1350		REAR BRACKET CO	1		
7-2	0-35730-0510		RECTIFIER ASSY	1		
7-3	0-09170-2501		CONDENSER	1		
7-4	0-35943-0170		INSULATE BUSH	2		
7-5	0-35943-0154		INSULATE BUSH	1		
7-6	0-35923-0134		COLLAR	1		
7-7	0-35943-0160		INSULATE BUSH	1		
7-8	0-35943-0140		INSULATE BUSH	1		
7-9	0-35784-0210		CONNECT BAR	1		
7-10	0-35784-0290		CONNECT BAR	1		
7-11	0-35761-0318		COVER	1		
7-12	0-09011-3540		SCREW	2		
7-13	0-0056-05302		SCREW	3		
8	0-35719-0201		REGULATOR ASSY	1		

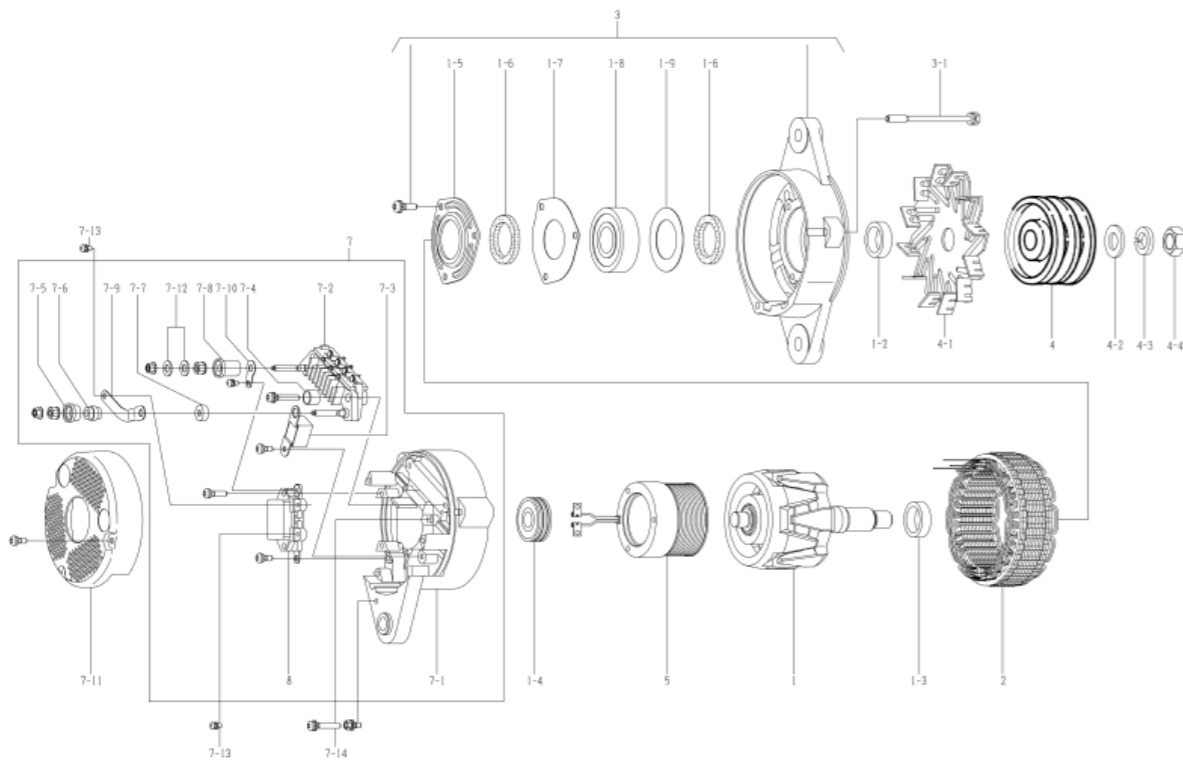


0-35000-4220 ALTERNATOR

OEM CUSTOMER	KOMATSU	OEM PARTS NUMBER	600-825-6110
NOMINAL OUT PUT	24V 60A	SUPPLY TERM	98.11~
WEIGHT	11 kg	REGULATOR	BUILT-IN
ENGINE MODEL	SA6D140E-2A, SA6D140E-2B, OTHERS		
VEHICLE	D155AX-3, D155AX-5, OTHERS		
DESIGN RECORD			
NOTE	<p>10 TYPE V BELT DOUBLE PEAKS COUNTERCLOCKWISE ROTATION</p> <p>THE LATEST MODEL IS 0-35000-4221. HOWEVER, SUCH COMPONENTS ARE NOT COMPATIBLE AS ROTOR ASSY, COLLAR, STATOR ASSY, FRONT BRACKET ASSY, PULLEY, PULLEY NUT, FIELD COIL CO, REAR BRACKET AND COVER.</p> <p>0-35000-4220, 4221 SHOULD USE THEIR OWN UNIQUE PARTS.</p> <p>HOW TO IDENTIFY THE OLD / NEW PART NUMBER OF ALTERNATOR ASSY : OLD MODEL USES PLAIN WASHER, SPRING WASHER AND NUT TO FIX PULLEY. NEW MODEL USES FLANGE NUT TO FIX PULLEY.</p>		

0-35000-4220 ALTERNATOR (MAKER PART NO 600-825-6110)

No	Parts Number	Maker Parts No	Description	Qty	List Price	Note
1	0-35100-0300		ROTOR ASSY	1		
1-2	1-33923-0790		COLLAR	1		
1-3	0-35923-0160		COLLAR	1		
1-4	0-09201-0980		BALL BEARING	1		REAR
1-5	0-35926-0070		RETAINER	1		
1-6	0-35951-0060		PACKING	2		
1-7	0-35926-0090		RETAINER	1		
1-8	0-09201-1140		BALL BEARING	1		FRONT
1-9	1-33926-0730		RETAINER	1		
2	0-35200-0460		STATOR ASSY	1		
3	0-35300-0350		F.BRACKET ASSY	1		INCLUDING 1-5~1-9
3-1	0-0275-06802		BOLT	3		THROUGH BOLT
4	0-35411-0631		PULLEY	1		
4-1	0-35421-0230		FAN	1		
4-2	0-09057-0230		WASHER	1		
4-3	1-0335-16002		SPRING WASHER	1		
4-4	0-0280-16022		NUT	1		
5	0-35120-0290		FIELD COIL CO	1		
7	0-35700-0921		R.BRACKET ASSY	1		INC 7-1~7-10, 7-12, 8
7-1	0-35710-1010		REAR BRACKET CO	1		
7-2	0-35730-0700		RECTIFIRE ASSY	1		
7-3	0-09170-2501		CONDENSER	1		
7-4	0-35943-0170		INSULATE BUSH	2		
7-5	0-35943-0150		INSULATE BUSH	1		
7-6	0-35923-0130		COLLAR	1		
7-7	0-35943-0160		INSULATE BUSH	1		
7-8	0-35943-0140		INSULATE BUSH	1		
7-9	0-35784-0210		CONNECT BAR	1		
7-10	0-35784-0290		CONNECT BAR	1		
7-11	0-35761-0250		COVER	1		
7-12	0-09057-0220		WASHER	2		
7-13	0-09011-3540		SCREW	2		
7-14	0-0056-05302		SCREW	3		
8	0-35719-0211		REGULATOR ASSY	1		

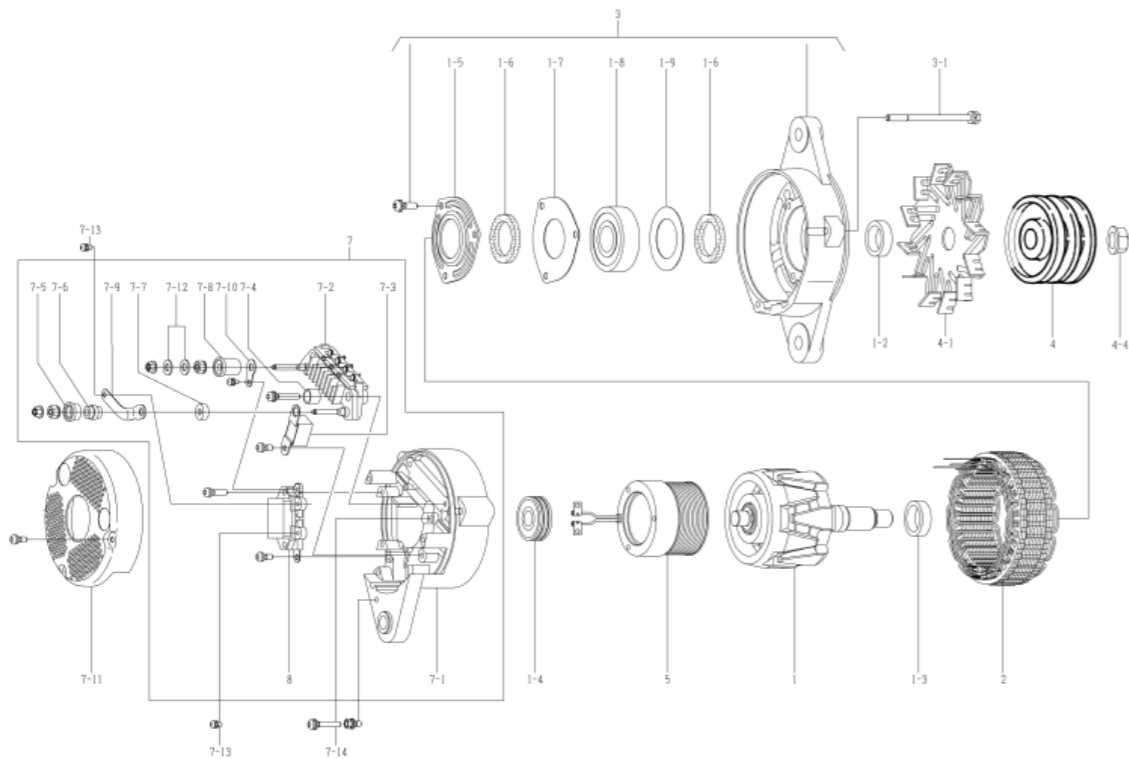


0-35000-4221 ALTERNATOR

OEM CUSTOMER	KOMATSU	OEM PARTS NUMBER	600-825-6111
NOMINAL OUT PUT	24V 60A	SUPPLY TERM	10.01~
WEIGHT	11 kg	REGULATOR	BUILT-IN
ENGINE MODEL	SA6D140E-2A, SA6D140E-2B, OTHERS		
VEHICLE	D155AX-3, D155AX-5, OTHERS		
DESIGN RECORD	4220 → 4221 ROTOR ASSY, COLLAR, STATOR ASSY, F. BRACKET ASSY, PULLEY, PULLEY NUT, FIELD COIL CO, R. BRACKET, COVER CHANGED		
NOTE	<p>10 TYPE V BELT DOUBLE PEAKS COUNTERCLOCKWISE ROTATION</p> <p>OLD MODEL IS 0-35000-4220. HOWEVER, SUCH COMPONENTS ARE NOT COMPATIBLE AS ROTOR ASSY, COLLAR, STATOR ASSY, FRONT BRACKET ASSY, PULLEY, PULLEY NUT, FIELD COIL CO, REAR BRACKET AND COVER. 0-35000-4220, 4221 SHOULD USE THEIR OWN UNIQUE PARTS.</p> <p>HOW TO IDENTIFY THE OLD / NEW PART NUMBER OF ALTERNATOR ASSY : OLD MODEL USES PLAIN WASHER, SPRING WASHER AND NUT TO FIX PULLEY. NEW MODEL USES FLANGE NUT TO FIX PULLEY.</p>		

0-35000-4221 ALTERNATOR (MAKER PART NO 600-825-6111)

No	Parts Number	Maker Parts No	Description	Qty	List Price	Note
1	0-35100-0418		ROTOR ASSY	1		
1-2	1-33923-0240		COLLAR	1		
1-3	0-35923-0160		COLLAR	1		
1-4	0-09201-0980		BALL BEARING	1		REAR
1-5	0-35926-0070		RETAINER	1		
1-6	0-35951-0060		PACKING	2		
1-7	0-35926-0090		RETAINER	1		
1-8	0-09201-1450		BALL BEARING	1		FRONT
1-9	1-33926-0730		RETAINER	1		
2	0-35200-0528		STATOR ASSY	1		
3	0-35300-0450		F.BRACKET ASSY	1		INCLUDING 1-5~1-9
3-1	0-0275-06802		BOLT	3		THROUGH BOLT
4	0-35411-0638		PULLEY	1		
4-1	0-35421-0230		FAN	1		
4-4	0-09006-0730		NUT	1		
5	0-35120-0528		FIELD COIL CO	1		
7	0-35700-1170		R.BRACKET ASSY	1		INCLUDING 7-1~7-10, 7-12, 8
7-1	0-35710-1350		REAR BRACKET CO	1		
7-2	0-35730-0700		RECTIFIER ASSY	1		
7-3	0-09170-2501		CONDENSER	1		
7-4	0-35943-0170		INSULATE BUSH	2		
7-5	0-35943-0154		INSULATE BUSH	1		
7-6	0-35923-0134		COLLAR	1		
7-7	0-35943-0160		INSULATE BUSH	1		
7-8	0-35943-0140		INSULATE BUSH	1		
7-9	0-35784-0210		CONNECT BAR	1		
7-10	0-35784-0290		CONNECT BAR	1		
7-11	0-35761-0318		COVER	1		
7-12	0-09057-0220		WASHER	2		
7-13	0-09011-3540		SCREW	2		
7-14	0-0056-05302		SCREW	3		
8	0-35719-0201		REGULATOR ASSY	1		



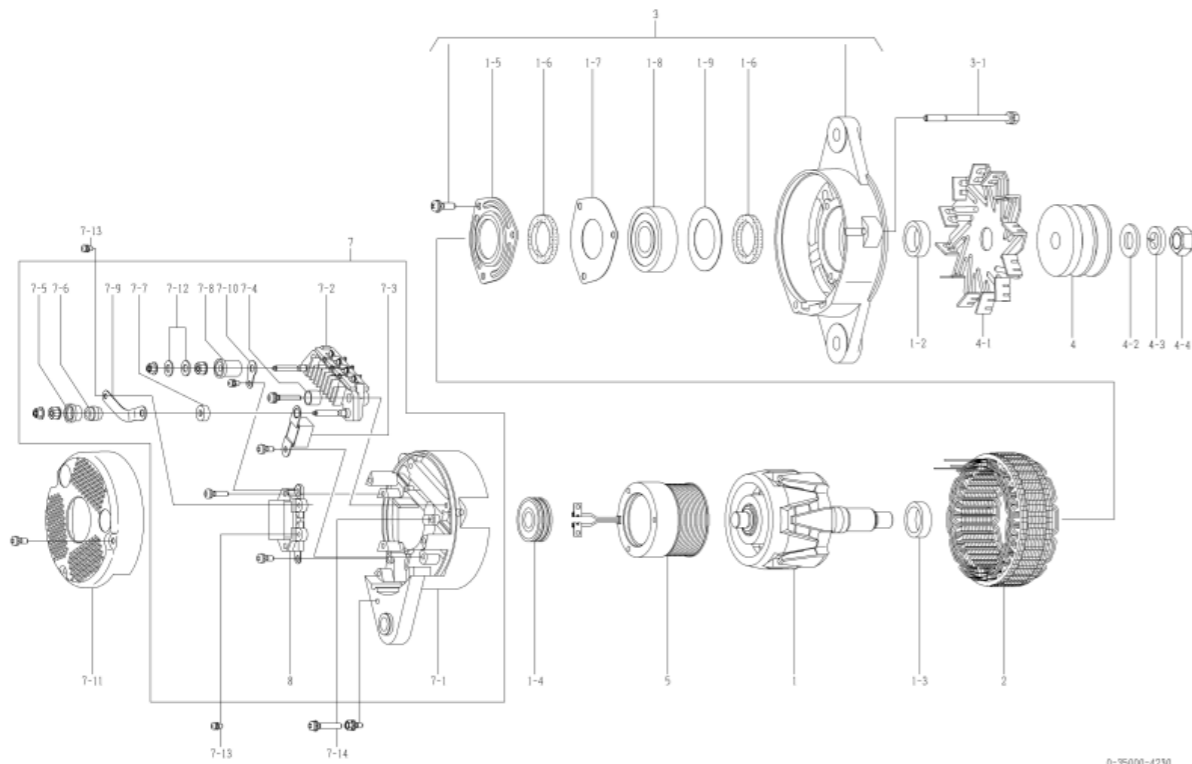
0-35000-4221

0-35000-4230 ALTERNATOR

OEM CUSTOMER	KOMATSU	OEM PARTS NUMBER	600-825-6120
NOMINAL OUT PUT	24V 60A	SUPPLY TERM	98.11~
WEIGHT	11 kg	REGULATOR	BUILT-IN
ENGINE MODEL	SA6D108		
VEHICLE	WA100-3, OTHERS		
DESIGN RECORD			
NOTE	<p>17 TYPE V BELT DOUBLE PEAKS CLOCKWISE ROTATION PULLEY AND FAN ARE DIFFERENT FROM 0-35000-4220. THE LATEST MODEL IS 0-35000-4231. HOWEVER, SUCH COMPONENTS ARE NOT COMPATIBLE AS ROTOR ASSY, COLLAR, STATOR ASSY, FRONT BRACKET ASSY, PULLEY, PULLEY NUT, FIELD COIL CO, REAR BRACKET AND COVER. 0-35000-4230, 4231 SHOULD USE THEIR OWN UNIQUE PARTS. HOW TO IDENTIFY THE OLD / NEW PART NUMBER OF ALTERNATOR ASSY : OLD MODEL USES PLAIN WASHER, SPRING WASHER AND NUT TO FIX PULLEY. NEW MODEL USES FLANGE NUT TO FIX PULLEY.</p>		

0-35000-4230 ALTERNATOR (MAKER PART NO 600-825-6120)

No	Parts Number	Maker Parts No	Description	Qty	List Price	Note
1	0-35100-0300		ROTOR ASSY	1		
1-2	1-33923-0790		COLLAR	1		
1-3	0-35923-0160		COLLAR	1		
1-4	0-09201-0980		BALL BEARING	1		REAR
1-5	0-35926-0070		RETAINER	1		
1-6	0-35951-0060		PACKING	2		
1-7	0-35926-0090		RETAINER	1		
1-8	0-09201-1140		BALL BEARING	1		FRONT
1-9	1-33926-0730		RETAINER	1		
2	0-35200-0460		STATOR ASSY	1		
3	0-35300-0350		F.BRACKET ASSY	1		INCLUDING 1-5~1-9
3-1	0-0275-06802		BOLT	3		THROUGH BOLT
4	0-35411-0590		PULLEY	1		
4-1	0-35421-0240		FAN	1		
4-2	0-09057-0230		WASHER	1		
4-3	1-0335-16002		SPRING WASHER	1		
4-4	0-0280-16022		NUT	1		
5	0-35120-0290		FIELD COIL CO	1		
7	0-35700-0921		R.BRACKET ASSY	1		INC 7-1~7-10, 7-12, 8
7-1	0-35710-1010		REAR BRACKET CO	1		
7-2	0-35730-0700		RECTIFIRE ASSY	1		
7-3	0-09170-2501		CONDENSER	1		
7-4	0-35943-0170		INSULATE BUSH	2		
7-5	0-35943-0150		INSULATE BUSH	1		
7-6	0-35923-0130		COLLAR	1		
7-7	0-35943-0160		INSULATE BUSH	1		
7-8	0-35943-0140		INSULATE BUSH	1		
7-9	0-35784-0210		CONNECT BAR	1		
7-10	0-35784-0290		CONNECT BAR	1		
7-11	0-35761-0250		COVER	1		
7-12	0-09057-0220		WASHER	2		
7-13	0-09011-3540		SCREW	2		
7-14	0-0056-05302		SCREW	3		
8	0-35719-0211		REGULATOR ASSY	1		

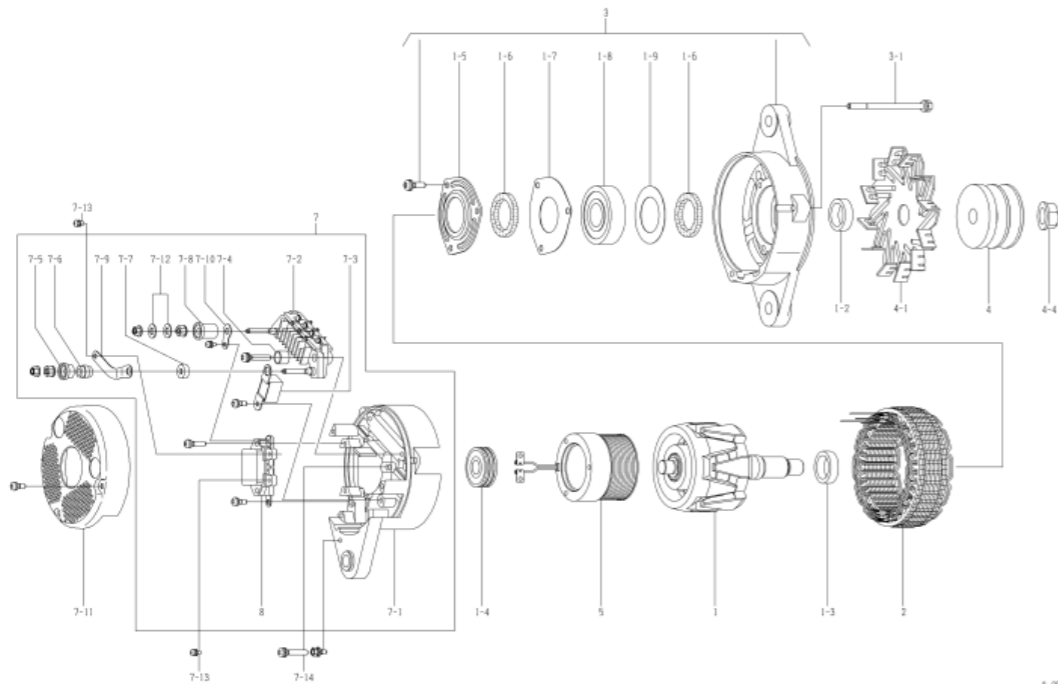


0-35000-4231 ALTERNATOR

OEM CUSTOMER	KOMATSU	OEM PARTS NUMBER	600-825-6121
NOMINAL OUT PUT	24V 60A	SUPPLY TERM	09.02~
WEIGHT	11 kg	REGULATOR	BUILT-IN
ENGINE MODEL	SA6D108		
VEHICLE	WA100-3, OTHERS		
DESIGN RECORD	4230 → 4231	ROTOR ASSY, COLLAR, STATOR ASSY, F. BRACKET ASSY, PULLEY, PULLEY NUT, FIELD COIL CO, R. BRACKET, COVER CHANGED	
NOTE	<p>17 TYPE V BELT DOUBLE PEAKS CLOCKWISE ROTATION PULLEY AND FAN ARE DIFFERENT FROM 0-35000-4221. OLD MODEL IS 0-35000-4230. HOWEVER, SUCH COMPONENTS ARE NOT COMPATIBLE AS ROTOR ASSY, COLLAR, STATOR ASSY, FRONT BRACKET ASSY, PULLEY, PULLEY NUT, FIELD COIL CO, REAR BRACKET AND COVER. 0-35000-4230, 4231 SHOULD USE THEIR OWN UNIQUE PARTS. HOW TO IDENTIFY THE OLD / NEW PART NUMBER OF ALTERNATOR ASSY : OLD MODEL USES PLAIN WASHER, SPRING WASHER AND NUT TO FIX PULLEY. NEW MODEL USES FLANGE NUT TO FIX PULLEY.</p>		

0-35000-4231 ALTERNATOR (MAKER PART NO 600-825-6121)

No	Parts Number	Maker Parts No	Description	Qty	List Price	Note
1	0-35100-0418		ROTOR ASSY	1		
1-2	1-33923-0240		COLLAR	1		
1-3	0-35923-0160		COLLAR	1		
1-4	0-09201-0980		BALL BEARING	1		REAR
1-5	0-35926-0070		RETAINER	1		
1-6	0-35951-0060		PACKING	2		
1-7	0-35926-0090		RETAINER	1		
1-8	0-09201-1450		BALL BEARING	1		FRONT
1-9	1-33926-0730		RETAINER	1		
2	0-35200-0528		STATOR ASSY	1		
3	0-35300-0450		F.BRACKET ASSY	1		INCLUDING 1-5~1-9
3-1	0-0275-06802		BOLT	3		THROUGH BOLT
4	0-35411-0638		PULLEY	1		
4-1	0-35421-0230		FAN	1		
4-4	0-09006-0730		NUT	1		
5	0-35120-0528		FIELD COIL CO	1		
7	0-35700-1170		R.BRACKET ASSY	1		INCLUDING 7-1~7-10, 7-12, 8
7-1	0-35710-1350		REAR BRACKET CO	1		
7-2	0-35730-0700		RECTIFIER ASSY	1		
7-3	0-09170-2501		CONDENSER	1		
7-4	0-35943-0170		INSULATE BUSH	2		
7-5	0-35943-0154		INSULATE BUSH	1		
7-6	0-35923-0134		COLLAR	1		
7-7	0-35943-0160		INSULATE BUSH	1		
7-8	0-35943-0140		INSULATE BUSH	1		
7-9	0-35784-0210		CONNECT BAR	1		
7-10	0-35784-0290		CONNECT BAR	1		
7-11	0-35761-0318		COVER	1		
7-12	0-09057-0220		WASHER	2		
7-13	0-09011-3540		SCREW	2		
7-14	0-0056-05302		SCREW	3		
8	0-35719-0201		REGULATOR ASSY	1		

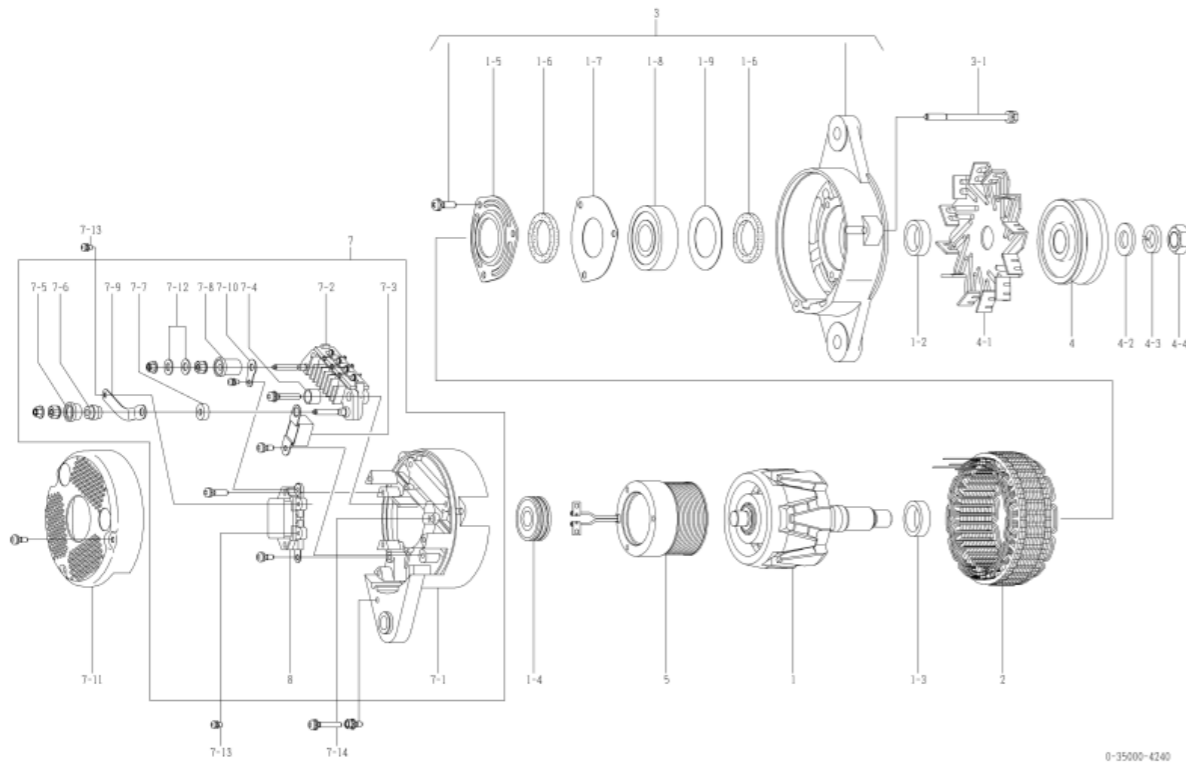


0-35000-4240 ALTERNATOR

OEM CUSTOMER	KOMATSU	OEM PARTS NUMBER	600-825-6130
NOMINAL OUT PUT	24V 60A	SUPPLY TERM	98.11~
WEIGHT	11 kg	REGULATOR	BUILT-IN
ENGINE MODEL	SA6D170E-2, OTHERS		
VEHICLE	PC1000-1, OTHERS		
DESIGN RECORD			
NOTE	<p>19 TYPE V BELT SINGLE PEAK CLOCKWISE ROTATION PULLEY AND FAN ARE DIFFERENT FROM 0-35000-4220. THE LATEST MODEL IS 0-35000-4241. HOWEVER, SUCH COMPONENTS ARE NOT COMPATIBLE AS ROTOR ASSY, COLLAR, STATOR ASSY, FRONT BRACKET ASSY, PULLEY, PULLEY NUT, FIELD COIL CO, REAR BRACKET AND COVER. 0-35000-4240, 4241 SHOULD USE THEIR OWN UNIQUE PARTS. HOW TO IDENTIFY THE OLD / NEW PART NUMBER OF ALTERNATOR ASSY : OLD MODEL USES PLAIN WASHER, SPRING WASHER AND NUT TO FIX PULLEY. NEW MODEL USES FLANGE NUT TO FIX PULLEY.</p>		

0-35000-4240 ALTERNATOR (MAKER PART NO 600-825-6130)

No	Parts Number	Maker Parts No	Description	Qty	List Price	Note
1	0-35100-0300		ROTOR ASSY	1		
1-2	1-33923-0790		COLLAR	1		
1-3	0-35923-0160		COLLAR	1		
1-4	0-09201-0980		BALL BEARING	1		REAR
1-5	0-35926-0070		RETAINER	1		
1-6	0-35951-0060		PACKING	2		
1-7	0-35926-0090		RETAINER	1		
1-8	0-09201-1140		BALL BEARING	1		FRONT
1-9	1-33926-0730		RETAINER	1		
2	0-35200-0460		STATOR ASSY	1		
3	0-35300-0350		F.BRACKET ASSY	1		INCLUDING 1-5~1-9
3-1	0-0275-06802		BOLT	3		THROUGH BOLT
4	0-35411-0600		PULLEY	1		
4-1	0-35421-0240		FAN	1		
4-2	0-09057-0230		WASHER	1		
4-3	1-0335-16002		SPRING WASHER	1		
4-4	0-0280-16022		NUT	1		
5	0-35120-0290		FIELD COIL CO	1		
7	0-35700-0921		R.BRACKET ASSY	1		INC 7-1~7-10, 7-12, 8
7-1	0-35710-1010		REAR BRACKET CO	1		
7-2	0-35730-0700		RECTIFIRE ASSY	1		
7-3	0-09170-2501		CONDENSER	1		
7-4	0-35943-0170		INSULATE BUSH	2		
7-5	0-35943-0150		INSULATE BUSH	1		
7-6	0-35923-0130		COLLAR	1		
7-7	0-35943-0160		INSULATE BUSH	1		
7-8	0-35943-0140		INSULATE BUSH	1		
7-9	0-35784-0210		CONNECT BAR	1		
7-10	0-35784-0290		CONNECT BAR	1		
7-11	0-35761-0250		COVER	1		
7-12	0-09057-0220		WASHER	2		
7-13	0-09011-3540		SCREW	2		
7-14	0-0056-05302		SCREW	3		
8	0-35719-0211		REGULATOR ASSY	1		

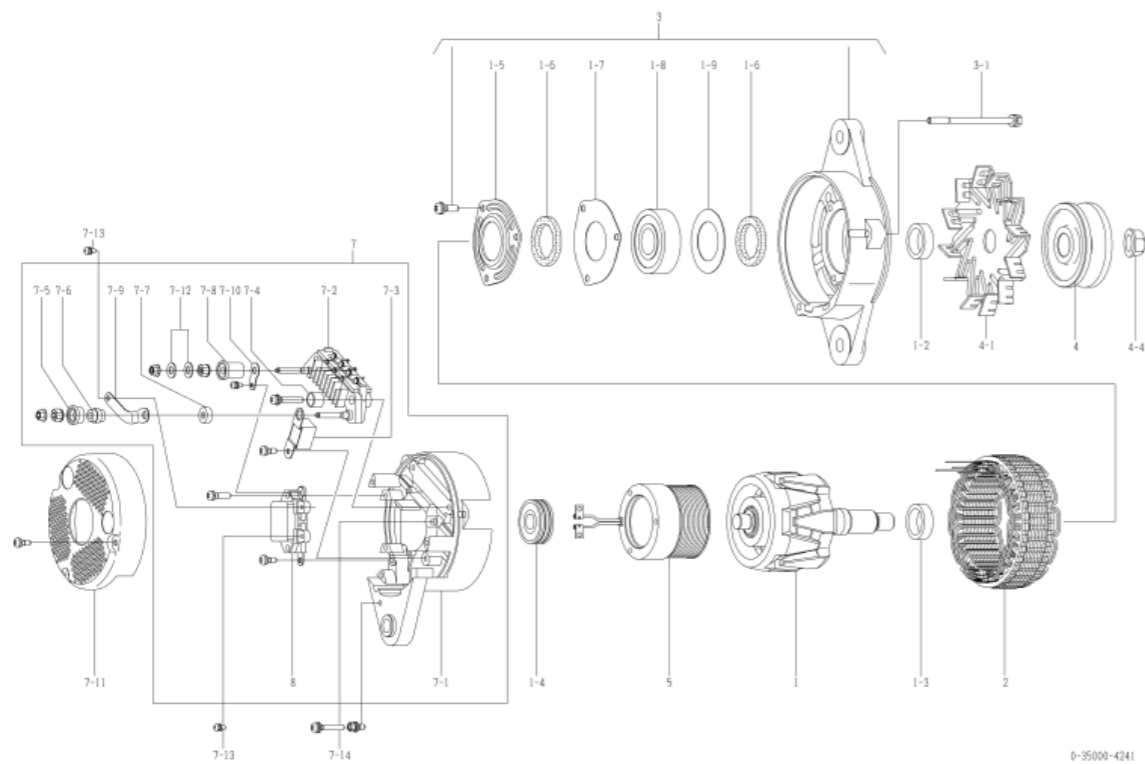


0-35000-4241 ALTERNATOR

OEM CUSTOMER	KOMATSU	OEM PARTS NUMBER	600-825-6131
NOMINAL OUT PUT	24V 60A	SUPPLY TERM	10.01~
WEIGHT	11 kg	REGULATOR	BUILT-IN
ENGINE MODEL	SA6D170E-2, OTHERS		
VEHICLE	PC1000-1, OTHERS		
DESIGN RECORD	4240 → 4241 ROTOR ASSY, COLLAR, STATOR ASSY, F. BRACKET ASSY, PULLEY, PULLEY NUT, FIELD COIL CO, R. BRACKET, COVER CHANGED		
NOTE	<p>19 TYPE V BELT SINGLE PEAK CLOCKWISE ROTATION PULLEY AND FAN ARE DIFFERENT FROM 0-35000-4221. PLD MODEL IS 0-35000-4240. HOWEVER, SUCH COMPONENTS ARE NOT COMPATIBLE AS ROTOR ASSY, COLLAR, STATOR ASSY, FRONT BRACKET ASSY, PULLEY, PULLEY NUT, FIELD COIL CO, REAR BRACKET AND COVER. 0-35000-4240, 4241 SHOULD USE THEIR OWN UNIQUE PARTS. HOW TO IDENTIFY THE OLD / NEW PART NUMBER OF ALTERNATOR ASSY : OLD MODEL USES PLAIN WASHER, SPRING WASHER AND NUT TO FIX PULLEY. NEW MODEL USES FLANGE NUT TO FIX PULLEY.</p>		

0-35000-4241 ALTERNATOR (MAKER PART NO 600-825-6131)

No	Parts Number	Maker Parts No	Description	Qty	List Price	Note
1	0-35100-0418		ROTOR ASSY	1		
1-2	1-33923-0240		COLLAR	1		
1-3	0-35923-0160		COLLAR	1		
1-4	0-09201-0980		BALL BEARING	1		REAR
1-5	0-35926-0070		RETAINER	1		
1-6	0-35951-0060		PACKING	2		
1-7	0-35926-0090		RETAINER	1		
1-8	0-09201-1450		BALL BEARING	1		FRONT
1-9	1-33926-0730		RETAINER	1		
2	0-35200-0528		STATOR ASSY	1		
3	0-35300-0450		F.BRACKET ASSY	1		INCLUDING 1-5~1-9
3-1	0-0275-06802		BOLT	3		THROUGH BOLT
4	0-35411-0604		PULLEY	1		
4-1	0-35421-0240		FAN	1		
4-4	0-09006-0730		NUT	1		
5	0-35120-0528		FIELD COIL CO	1		
7	0-35700-1170		R.BRACKET ASSY	1		INCLUDING 7-1~7-10, 7-12, 8
7-1	0-35710-1350		REAR BRACKET CO	1		
7-2	0-35730-0700		RECTIFIER ASSY	1		
7-3	0-09170-2501		CONDENSER	1		
7-4	0-35943-0170		INSULATE BUSH	2		
7-5	0-35943-0154		INSULATE BUSH	1		
7-6	0-35923-0134		COLLAR	1		
7-7	0-35943-0160		INSULATE BUSH	1		
7-8	0-35943-0140		INSULATE BUSH	1		
7-9	0-35784-0210		CONNECT BAR	1		
7-10	0-35784-0290		CONNECT BAR	1		
7-11	0-35761-0318		COVER	1		
7-12	0-09057-0220		WASHER	2		
7-13	0-09011-3540		SCREW	2		
7-14	0-0056-05302		SCREW	3		
8	0-35719-0201		REGULATOR ASSY	1		
7-14	0-0056-05302		SCREW	3		
8	0-35719-0201		REGULATOR ASSY	1		



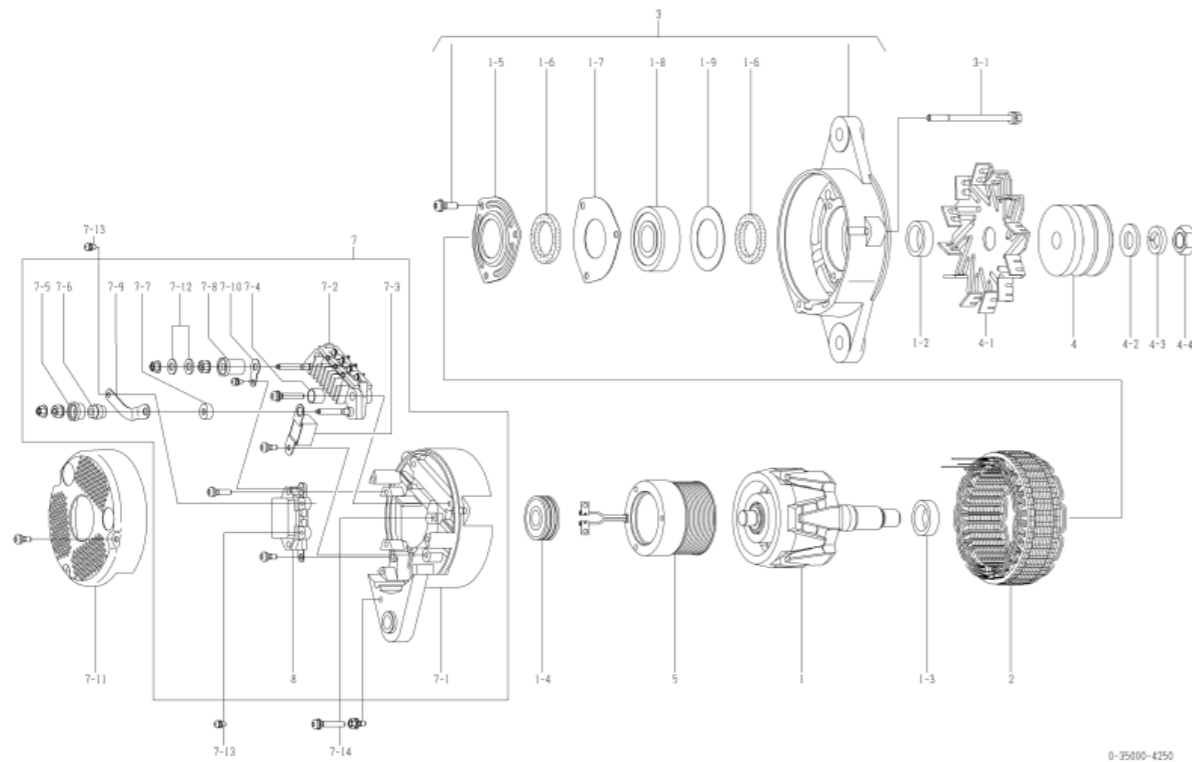
0-35000-4241

0-35000-4250 ALTERNATOR

OEM CUSTOMER	KOMATSU	OEM PARTS NUMBER	600-825-6150
NOMINAL OUT PUT	24V 60A	SUPPLY TERM	98.11~
WEIGHT	11 kg	REGULATOR	BUILT-IN
ENGINE MODEL	S6D125E-2		
VEHICLE	WA450-3		
DESIGN RECORD			
NOTE	<p>22 TYPE V BELT DOUBLE PEAKS CLOCKWISE ROTATION PULLEY AND FAN ARE DIFFERENT FROM 0-35000-4220. THE LATEST MODEL IS 0-35000-4251. HOWEVER, SUCH COMPONENTS ARE NOT COMPATIBLE AS ROTOR ASSY, COLLAR, STATOR ASSY, FRONT BRACKET ASSY, PULLEY, PULLEY NUT, FIELD COIL CO, REAR BRACKET AND COVER. 0-35000-4250, 4251 SHOULD USE THEIR OWN UNIQUE PARTS. HOW TO IDENTIFY THE OLD / NEW PART NUMBER OF ALTERNATOR ASSY : OLD MODEL USES PLAIN WASHER, SPRING WASHER AND NUT TO FIX PULLEY. NEW MODEL USES FLANGE NUT TO FIX PULLEY.</p>		

0-35000-4250 ALTERNATOR (MAKER PART NO 600-825-6150)

No	Parts Number	Maker Parts No	Description	Qty	List Price	Note
1	0-35100-0300		ROTOR ASSY	1		
1-2	1-33923-0790		COLLAR	1		
1-3	0-35923-0160		COLLAR	1		
1-4	0-09201-0980		BALL BEARING	1		REAR
1-5	0-35926-0070		RETAINER	1		
1-6	0-35951-0060		PACKING	2		
1-7	0-35926-0090		RETAINER	1		
1-8	0-09201-1140		BALL BEARING	1		FRONT
1-9	1-33926-0730		RETAINER	1		
2	0-35200-0460		STATOR ASSY	1		
3	0-35300-0350		F.BRACKET ASSY	1		INCLUDING 1-5~1-9
3-1	0-0275-06802		BOLT	3		THROUGH BOLT
4	0-35411-0560		PULLEY	1		
4-1	0-35421-0240		FAN	1		
4-2	0-09057-0230		WASHER	1		
4-3	1-0335-16002		SPRING WASHER	1		
4-4	0-0280-16022		NUT	1		
5	0-35120-0290		FIELD COIL CO	1		
7	0-35700-0921		R.BRACKET ASSY	1		INC 7-1~7-10, 7-12, 8
7-1	0-35710-1010		REAR BRACKET CO	1		
7-2	0-35730-0700		RECTIFIRE ASSY	1		
7-3	0-09170-2501		CONDENSER	1		
7-4	0-35943-0170		INSULATE BUSH	2		
7-5	0-35943-0150		INSULATE BUSH	1		
7-6	0-35923-0130		COLLAR	1		
7-7	0-35943-0160		INSULATE BUSH	1		
7-8	0-35943-0140		INSULATE BUSH	1		
7-9	0-35784-0210		CONNECT BAR	1		
7-10	0-35784-0290		CONNECT BAR	1		
7-11	0-35761-0250		COVER	1		
7-12	0-09057-0220		WASHER	2		
7-13	0-09011-3540		SCREW	2		
7-14	0-0056-05302		SCREW	3		
8	0-35719-0211		REGULATOR ASSY	1		



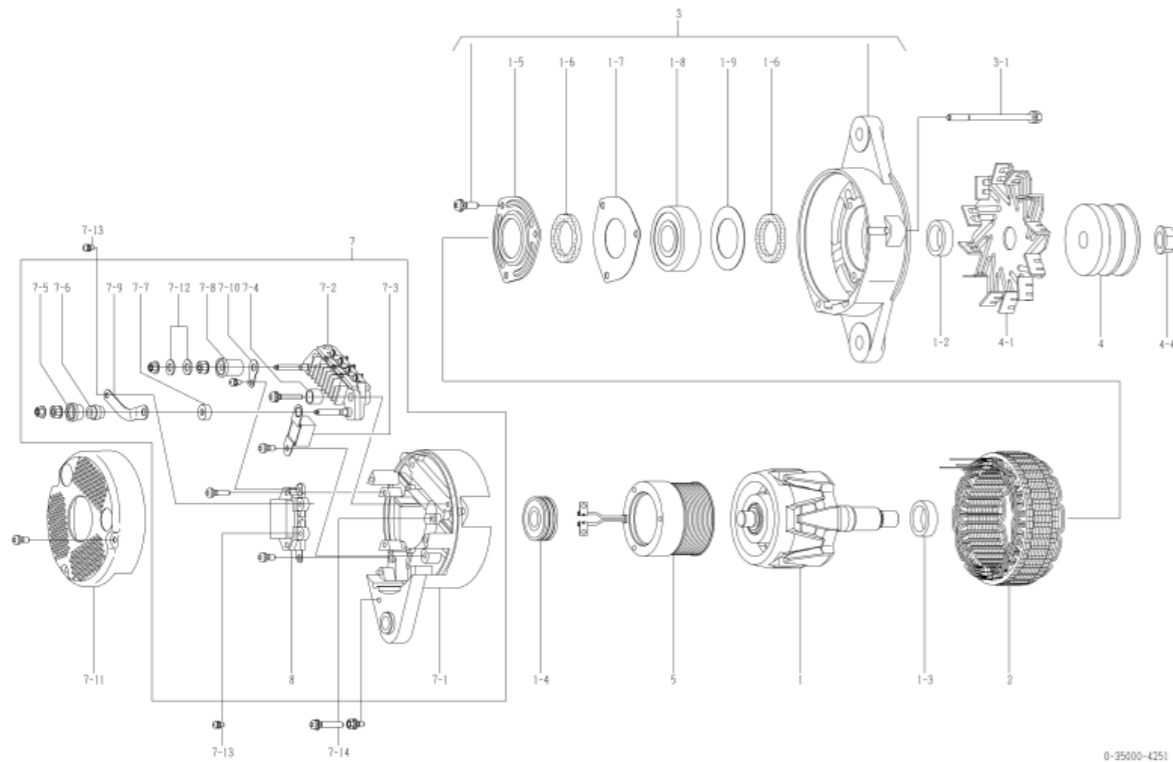
0-35000-4250

0-35000-4251 ALTERNATOR

OEM CUSTOMER	KOMATSU	OEM PARTS NUMBER	600-825-6151
NOMINAL OUT PUT	24V 60A	SUPPLY TERM	10.01~
WEIGHT	11 kg	REGULATOR	BUILT-IN
ENGINE MODEL	S6D125E-2		
VEHICLE	WA450-3		
DESIGN RECORD	4250 → 4251 ROTOR ASSY, COLLAR, STATOR ASSY, F. BRACKET ASSY, PULLEY, PULLEY NUT, FIELD COIL CO, R. BRACKET, COVER CHANGED		
NOTE	<p>22 TYPE V BELT DOUBLE PEAKS CLOCKWISE ROTATION PULLEY AND FAN ARE DIFFERENT FROM 0-35000-4221. OLD MODEL IS 0-35000-4250. HOWEVER, SUCH COMPONENTS ARE NOT COMPATIBLE AS ROTOR ASSY, COLLAR, STATOR ASSY, FRONT BRACKET ASSY, PULLEY, PULLEY NUT, FIELD COIL CO, REAR BRACKET AND COVER. 0-35000-4250, 4251 SHOULD USE THEIR OWN UNIQUE PARTS. HOW TO IDENTIFY THE OLD / NEW PART NUMBER OF ALTERNATOR ASSY : OLD MODEL USES PLAIN WASHER, SPRING WASHER AND NUT TO FIX PULLEY. NEW MODEL USES FLANGE NUT TO FIX PULLEY.</p>		

0-35000-4251 ALTERNATOR (MAKER PART NO 600-825-6151)

No	Parts Number	Maker Parts No	Description	Qty	List Price	Note
1	0-35100-0418		ROTOR ASSY	1		
1-2	1-33923-0240		COLLAR	1		
1-3	0-35923-0160		COLLAR	1		
1-4	0-09201-0980		BALL BEARING	1		REAR
1-5	0-35926-0070		RETAINER	1		
1-6	0-35951-0060		PACKING	2		
1-7	0-35926-0090		RETAINER	1		
1-8	0-09201-1450		BALL BEARING	1		FRONT
1-9	1-33926-0730		RETAINER	1		
2	0-35200-0528		STATOR ASSY	1		
3	0-35300-0450		F.BRACKET ASSY	1		INCLUDING 1-5~1-9
3-1	0-0275-06802		BOLT	3		THROUGH BOLT
4	0-35411-0568		PULLEY	1		
4-1	0-35421-0240		FAN	1		
4-4	0-09006-0730		NUT	1		
5	0-35120-0528		FIELD COIL CO	1		
7	0-35700-1170		R.BRACKET ASSY	1		INCLUDING 7-1~7-10, 7-12, 8
7-1	0-35710-1350		REAR BRACKET CO	1		
7-2	0-35730-0700		RECTIFIER ASSY	1		
7-3	0-09170-2501		CONDENSER	1		
7-4	0-35943-0170		INSULATE BUSH	2		
7-5	0-35943-0154		INSULATE BUSH	1		
7-6	0-35923-0134		COLLAR	1		
7-7	0-35943-0160		INSULATE BUSH	1		
7-8	0-35943-0140		INSULATE BUSH	1		
7-9	0-35784-0210		CONNECT BAR	1		
7-10	0-35784-0290		CONNECT BAR	1		
7-11	0-35761-0318		COVER	1		
7-12	0-09057-0220		WASHER	2		
7-13	0-09011-3540		SCREW	2		
7-14	0-0056-05302		SCREW	3		
8	0-35719-0201		REGULATOR ASSY	1		

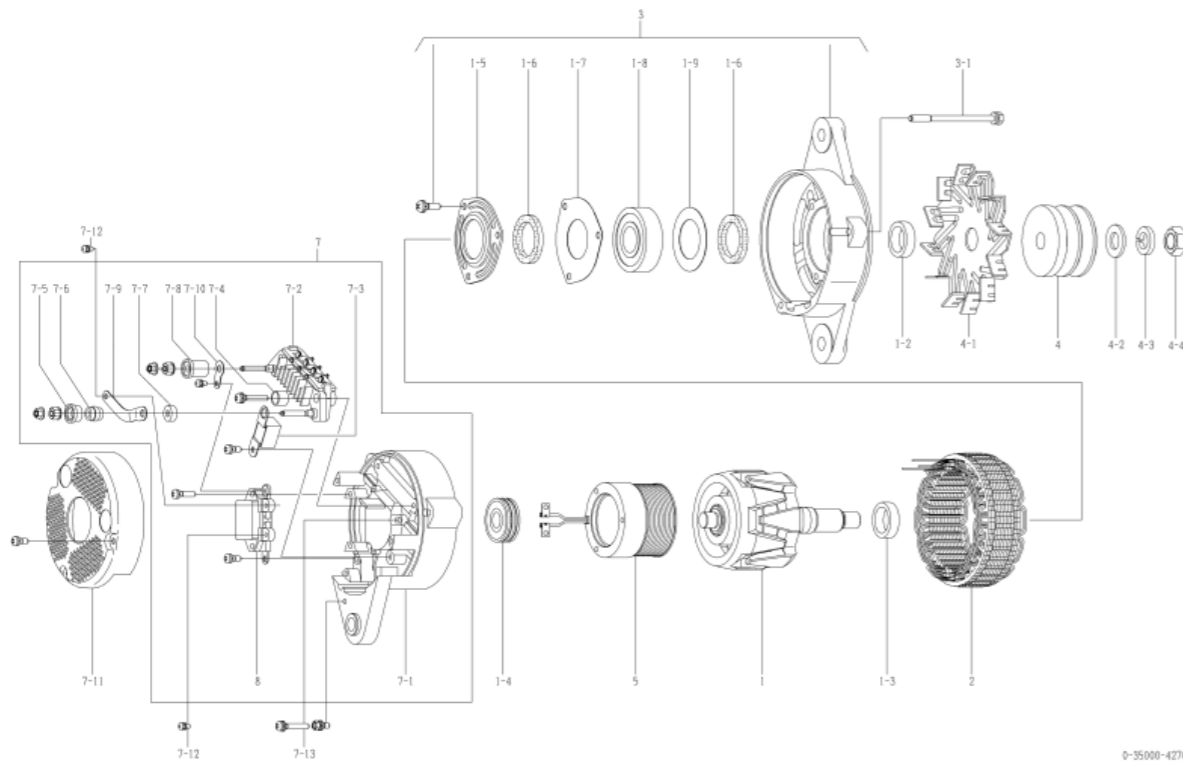


0-35000-4270 ALTERNATOR

OEM CUSTOMER	KOMATSU	OEM PARTS NUMBER	600-825-5220
NOMINAL OUT PUT	24V 50A	SUPPLY TERM	98.12~
WEIGHT	11kg	REGULATOR	BUILT-IN
ENGINE MODEL	SA6D125E-3, OTHERS		
VEHICLE	D85EX-15, OTHERS		
DESIGN RECORD			
NOTE	<p>17 TYPE V BELT DOUBLE PEAKS (QUENCHED) CLOCKWISE ROTATION PULLEY IS DIFFERENT FROM 0-35000-4041. THE LATEST MODEL IS 0-35000-4271. HOWEVER, SUCH COMPONENTS ARE NOT COMPATIBLE AS ROTOR ASSY, COLLAR, STATOR ASSY, FRONT BRACKET ASSY, PULLEY, PULLEY NUT, FIELD COIL CO, REAR BRACKET AND COVER. 0-35000-4270, 4271 SHOULD USE THEIR OWN UNIQUE PARTS. HOW TO IDENTIFY THE OLD / NEW PART NUMBER OF ALTERNATOR ASSY : OLD MODEL USES PLAIN WASHER, SPRING WASHER AND NUT TO FIX PULLEY. NEW MODEL USES FLANGE NUT TO FIX PULLEY.</p>		

0-35000-4270 ALTERNATOR (MAKER PART NO 600-825-5220)

No	Parts Number	Maker Parts No	Description	Qty	List Price	Note
1	0-35100-0300		ROTOR ASSY	1		
1-2	1-33923-0790		COLLAR	1		
1-3	0-35923-0160		COLLAR	1		
1-4	0-09201-0980		BALL BEARING	1		
1-5	0-35926-0070		RETAINER	1		
1-6	0-35951-0060		PACKING	2		
1-7	0-35926-0090		RETAINER	1		
1-8	0-09201-0881		BALL BEARING	1		
1-9	1-33926-0730		RETAINER	1		
2	0-35200-0440		STATOR ASSY	1		
3	0-35300-0190		F.BRACKET ASSY	1		INCLUDING 1-5~1-9
3-1	0-0275-06802		BOLT	3		THROUGH BOLT
4	0-35411-0750		PULLEY	1		
4-1	0-35421-0170		FAN	1		
4-2	1-0330-16012		PLAIN WASHER	1		
4-3	1-0335-16002		SPRING WASHER	1		
4-4	0-0280-16022		NUT	1		
5	0-35120-0230		FIELD COIL CO	1		
7	0-35700-0822		R.BRACKET ASSY	1		INCLUDING 7-1~7-10, 8
7-1	0-35710-1010		REAR BRACKET CO	1		
7-2	0-35730-0510		RECTIFIER ASSY	1		
7-3	0-09170-2501		CONDENSER	1		
7-4	0-35943-0170		INSULATE BUSH	2		
7-5	0-35943-0150		INSULATE BUSH	1		
7-6	0-35923-0130		COLLAR	1		
7-7	0-35943-0160		INSULATE BUSH	1		
7-8	0-35943-0140		INSULATE BUSH	1		
7-9	0-35784-0210		CONNECT BAR	1		
7-10	0-35784-0290		CONNECT BAR	1		
7-11	0-35761-0250		COVER	1		
7-12	0-09011-3540		SCREW	2		
7-13	0-0056-05302		SCREW	3		
8	0-35719-0201		REGULATOR ASSY	1		



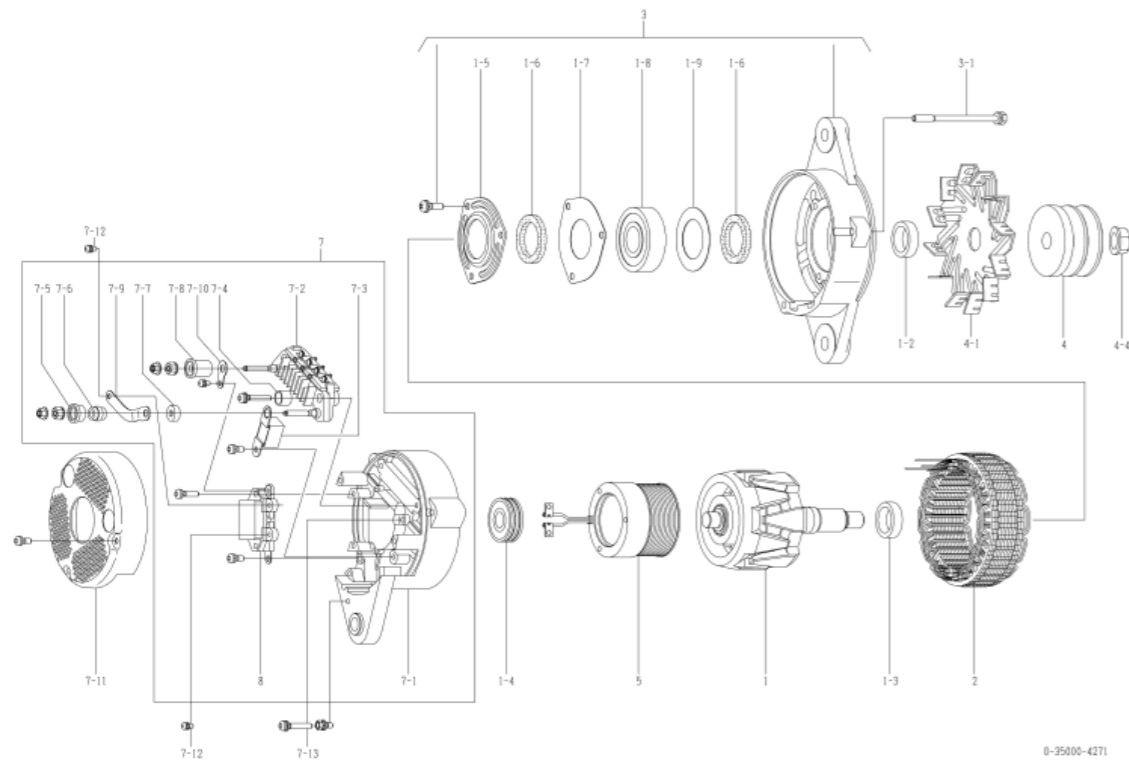
0-35000-4270

0-35000-4271 ALTERNATOR

OEM CUSTOMER	KOMATSU	OEM PARTS NUMBER	600-825-5221
NOMINAL OUT PUT	24V 50A	SUPPLY TERM	10.01~
WEIGHT	11kg	REGULATOR	BUILT-IN
ENGINE MODEL	SA6D125E-3, OTHERS		
VEHICLE	D85EX-15, OTHERS		
DESIGN RECORD	4270 → 4271 ROTOR ASSY, COLLAR, STATOR ASSY, F. BRACKET ASSY, PULLEY, PULLEY NUT, FIELD COIL CO, R. BRACKET, COVER CHANGED		
NOTE	<p>17 TYPE V BELT DOUBLE PEAKS (QUENCHED) CLOCKWISE ROTATION PULLEY IS DIFFERENT FROM 0-35000-4042. OLD MODEL IS 0-35000-4270. HOWEVER, SUCH COMPONENTS ARE NOT COMPATIBLE AS ROTOR ASSY, COLLAR, STATOR ASSY, FRONT BRACKET ASSY, PULLEY, PULLEY NUT, FIELD COIL CO, REAR BRACKET AND COVER. 0-35000-4270, 4271 SHOULD USE THEIR OWN UNIQUE PARTS. HOW TO IDENTIFY THE OLD / NEW PART NUMBER OF ALTERNATOR ASSY : OLD MODEL USES PLAIN WASHER, SPRING WASHER AND NUT TO FIX PULLEY. NEW MODEL USES FLANGE NUT TO FIX PULLEY.</p>		

0-35000-4271 ALTERNATOR (MAKER PART NO 600-825-5221)

No	Parts Number	Maker Parts No	Description	Qty	List Price	Note
1	0-35100-0418		ROTOR ASSY	1		
1-2	1-33923-0240		COLLAR	1		
1-3	0-35923-0160		COLLAR	1		
1-4	0-09201-0980		BALL BEARING	1		REAR
1-5	0-35926-0070		RETAINER	1		
1-6	0-35951-0060		PACKING	2		
1-7	0-35926-0090		RETAINER	1		
1-8	0-09201-1450		BALL BEARING	1		FRONT
1-9	1-33926-0730		RETAINER	1		
2	0-35200-0528		STATOR ASSY	1		
3	0-35300-0450		F.BRACKET ASSY	1		INCLUDING 1-5~1-9
3-1	0-0275-06802		BOLT	3		THROUGH BOLT
4	0-35411-0758		PULLEY	1		
4-1	0-35421-0170		FAN	1		
4-4	0-09006-0730		NUT	1		
5	0-35120-0528		FIELD COIL CO	1		
7	0-35700-1160		R.BRACKET ASSY	1		INCLUDING 7-1~7-10, 8
7-1	0-35710-1350		REAR BRACKET CO	1		
7-2	0-35730-0510		RECTIFIER ASSY	1		
7-3	0-09170-2501		CONDENSER	1		
7-4	0-35943-0170		INSULATE BUSH	2		
7-5	0-35943-0154		INSULATE BUSH	1		
7-6	0-35923-0134		COLLAR	1		
7-7	0-35943-0160		INSULATE BUSH	1		
7-8	0-35943-0140		INSULATE BUSH	1		
7-9	0-35784-0210		CONNECT BAR	1		
7-10	0-35784-0290		CONNECT BAR	1		
7-11	0-35761-0318		COVER	1		
7-12	0-09011-3540		SCREW	2		
7-13	0-0056-05302		SCREW	3		
8	0-35719-0201		REGULATOR ASSY	1		

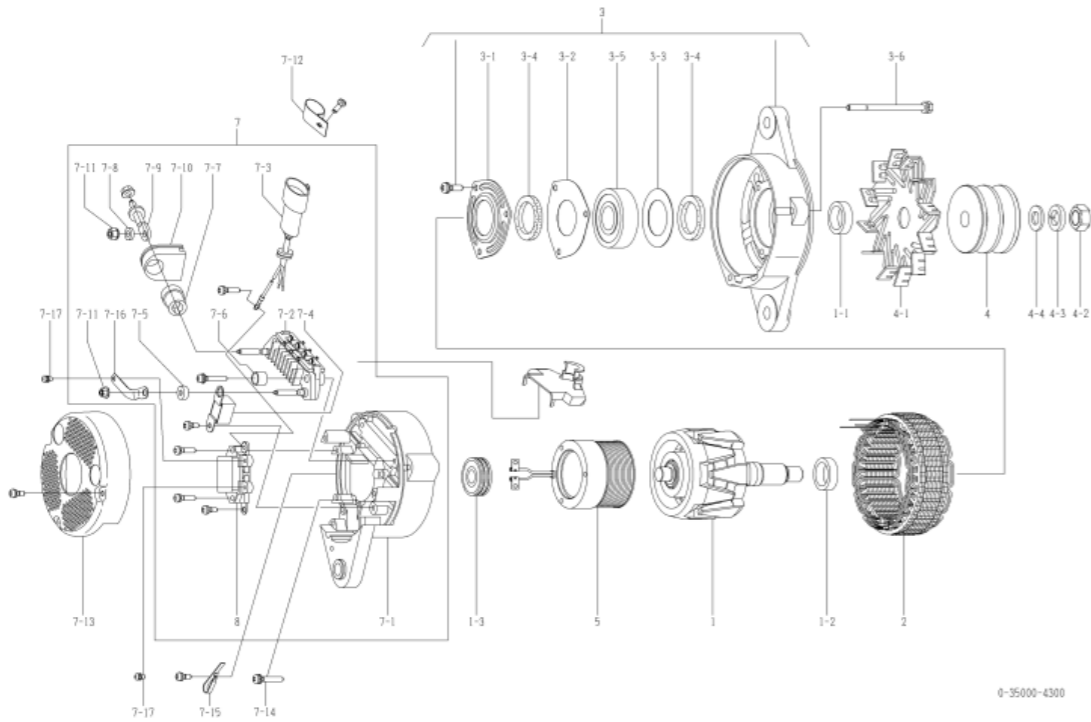


0-35000-4300 ALTERNATOR

OEM CUSTOMER	ISUZU	OEM PARTS NUMBER	1-81200469-4
NOMINAL OUT PUT	24V 50A	SUPPLY TERM	99.08~
WEIGHT	10kg	REGULATOR	BUILT-IN
ENGINE MODEL	6W, OTHERS		
VEHICLE	CX, CV, EX, OTHERS		
DESIGN RECORD	3951 → 3952 3953 → 4300	F.BRACKET ASSY CHANGED PULLEY CHANGED	
NOTE	15 TYPE V BELT DOUBLE PEAKS (QUENCHED) CLOCKWISE ROTATION		

0-35000-4300 ALTERNATOR (MAKER PART NO 1-81200469-4)

No	Parts Number	Maker Parts No	Description	Qty	List Price	Note
1	0-35100-0300	1-81211121-0	ROTOR ASSY	1		
1-1	1-33923-0790	1-81229642-0	COLLAR	1		
1-2	0-35923-0160	1-81229722-0	COLLAR	1		
1-3	0-09201-0980	1-81229723-0	BALL BEARING	1		REAR
2	0-35200-0441	1-81211124-0	STATOR ASSY	1		
3	0-35300-0221	1-81213094-0	F.BRACKET ASSY	1		INCLUDING 3-1~3-5
3-1	0-35926-0070	1-81229643-0	RETAINER	1		
3-2	0-35926-0090	8-97094161-0	RETAINER	1		
3-3	1-33926-0730	1-81229526-0	RETAINER	1		
3-4	0-35951-0060	1-81229644-0	PACKING	2		
3-5	0-09201-0881	1-81229740-0	BALL BEARING	1		FRONT
3-6	0-0275-06802	1-81229382-0	BO	3		THROUGH BOLT
4	0-35411-0980	1-81222154-0	PULLEY	1		
4-1	0-35421-0170	1-81223019-0	FAN	1		
4-2	0-0280-16022	1-81229474-0	NUT	1		
4-3	1-0335-16002	1-81229479-0	SPRING WASHER	1		
4-4	1-0330-16012	1-81229478-0	PLAIN WASHER	1		
5	0-35120-0230	1-81222102-0	FIELD COIL CO	1		
7	0-35700-0790	1-81214337-0	R.BRACKET ASSY	1		INCLUDING 7-1~7-11, 7-16, 8
7-1	0-35710-0950	1-81214338-0	REAR BRACKET CO	1		
7-2	0-35730-0630	1-81219117-0	RECTIFIER ASSY	1		
7-3	0-35780-0690	1-81229725-0	TERMINAL ASSY	1		GUM BUSH NOT INCLUDED
7-4	0-09170-2501	1-84132012-0	CONDENSER	1		
7-5	0-35943-0160	1-81229727-0	INSULATE BUSH	1		
7-6	0-35943-0170	1-81229728-0	INSULATE BUSH	2		
7-7	0-35943-0220	1-81229729-0	INSULATE BUSH	1		
7-8	0-35923-0170	1-81229730-0	COLLAR	1		
7-9	0-35901-0200	1-81229731-0	BOLT	1		
7-10	0-35951-0100	1-81229732-0	PACKING	1		
7-11	0-33902-0080	8-98040690-0	NUT	2		
7-12	0-35927-0010	1-81217053-0	HOLDER	1		
7-13	0-35761-0230	1-81214342-0	COVER	1		
7-14	0-0056-05302	1-81229733-0	SCREW	3		
7-15	0-35931-0020	1-81229516-0	CLIP	1		
7-16	0-35784-0240		CONNECT BAR	1		
7-17	0-09011-3540		SCREW	2		
8	0-35719-0151	1-81260015-0	REGULATOR ASSY	1		



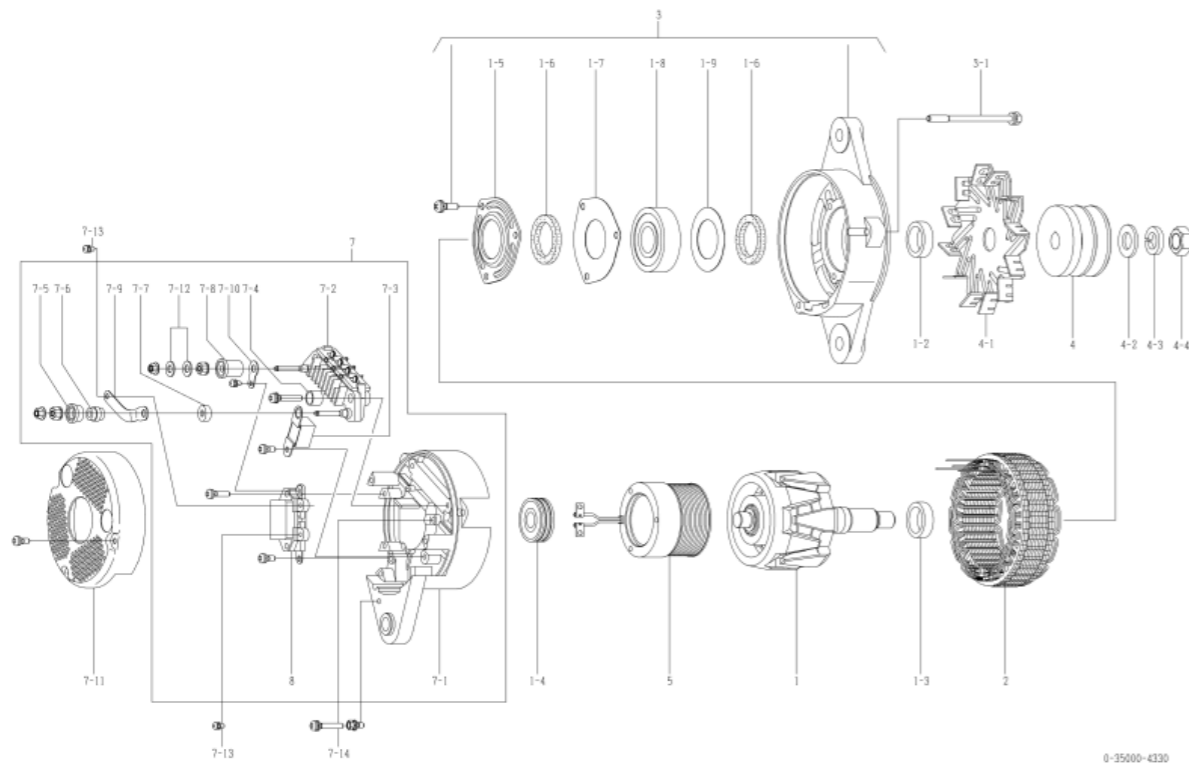
0-35000-4300

0-35000-4330 ALTERNATOR

OEM CUSTOMER	KOMATSU	OEM PARTS NUMBER	600-825-6250
NOMINAL OUT PUT	24V 60A	SUPPLY TERM	99.09~
WEIGHT	11kg	REGULATOR	BUILT-IN
ENGINE MODEL	SA6D125E-2, OTHERS		
VEHICLE	WA450-3, OTHERS		
DESIGN RECORD			
NOTE	<p>22 TYPE V BELT DOUBLE PEAKS (QUENCHED) CLOCKWISE ROTATION PULLEY AND FAN ARE DIFFERENT FROM 0-35000-4220. THE LATEST MODEL IS 0-35000-4331. HOWEVER, SUCH COMPONENTS ARE NOT COMPATIBLE AS ROTOR ASSY, COLLAR, STATOR ASSY, FRONT BRACKET ASSY, PULLEY, PULLEY NUT, FIELD COIL CO, REAR BRACKET AND COVER. 0-35000-4330, 4331 SHOULD USE THEIR OWN UNIQUE PARTS. HOW TO IDENTIFY THE OLD / NEW PART NUMBER OF ALTERNATOR ASSY : OLD MODEL USES PLAIN WASHER, SPRING WASHER AND NUT TO FIX PULLEY. NEW MODEL USES FLANGE NUT TO FIX PULLEY.</p>		

0-35000-4330 ALTERNATOR (MAKER PART NO 600-825-6250)

No	Parts Number	Maker Parts No	Description	Qty	List Price	Note
1	0-35100-0300		ROTOR ASSY	1		
1-2	1-33923-0790		COLLAR	1		
1-3	0-35923-0160		COLLAR	1		
1-4	0-09201-0980		BALL BEARING	1		REAR
1-5	0-35926-0070		RETAINER	1		
1-6	0-35951-0060		PACKING	2		
1-7	0-35926-0090		RETAINER	1		
1-8	0-09201-1140		BALL BEARING	1		FRONT
1-9	1-33926-0730		RETAINER	1		
2	0-35200-0460		STATOR ASSY	1		
3	0-35300-0350		F.BRACKET ASSY	1		INCLUDING 1-5~1-9
3-1	0-0275-06802		BOLT	3		THROUGH BOLT
4	0-35411-0180		PULLEY	1		
4-1	0-35421-0240		FAN	1		
4-2	0-09057-0230		WASHER	1		
4-3	1-0335-16002		SPRING WASHER	1		
4-4	0-0280-16022		NUT	1		
5	0-35120-0290		FIELD COIL CO	1		
7	0-35700-0921		R.BRACKET ASSY	1		INCLUDING 7-1~7-10, 7-12, 8
7-1	0-35710-1010		REAR BRACKET CO	1		
7-2	0-35730-0700		RECTIFIER ASSY	1		
7-3	0-09170-2501		CONDENSER	1		
7-4	0-35943-0170		INSULATE BUSH	2		
7-5	0-35943-0150		INSULATE BUSH	1		
7-6	0-35923-0130		COLLAR	1		
7-7	0-35943-0160		INSULATE BUSH	1		
7-8	0-35943-0140		INSULATE BUSH	1		
7-9	0-35784-0210		CONNECT BAR	1		
7-10	0-35784-0290		CONNECT BAR	1		
7-11	0-35761-0250		COVER	1		
7-12	0-09057-0220		WASHER	2		
7-13	0-09011-3540		SCREW	2		
7-14	0-0056-05302		SCREW	3		
8	0-35719-0211		REGULATOR ASSY	1		

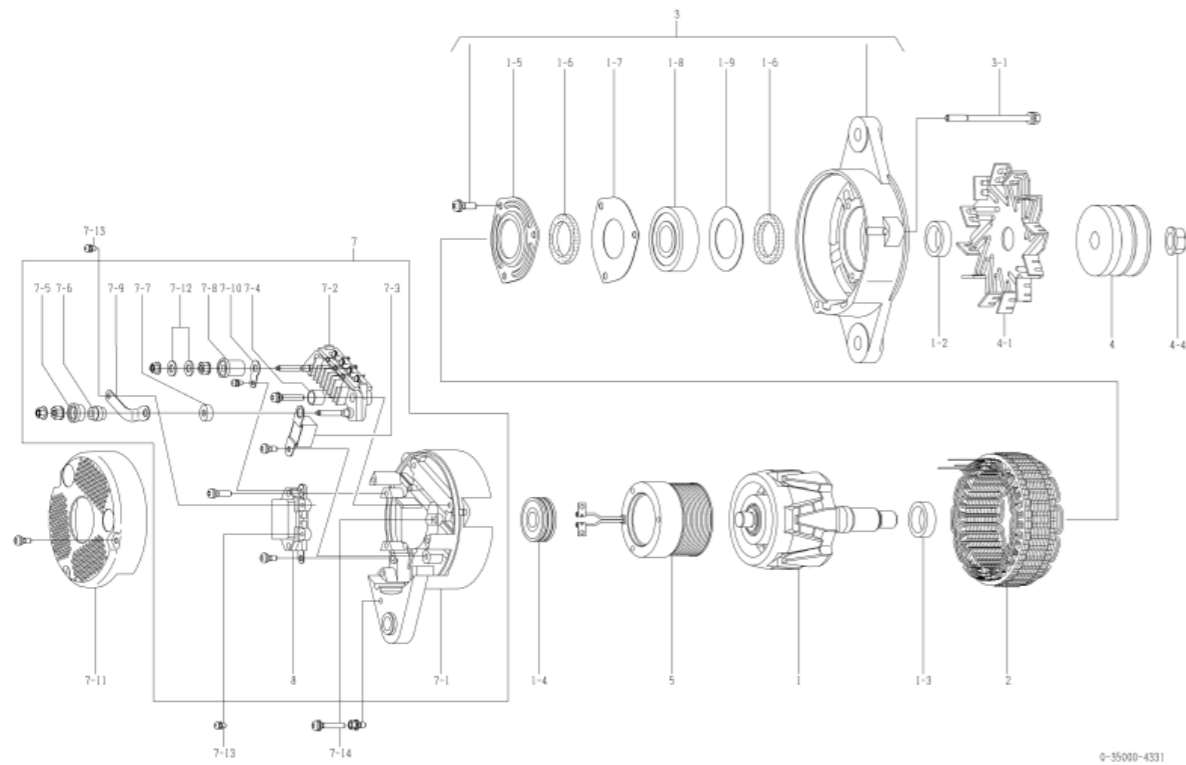


0-35000-4331 ALTERNATOR

OEM CUSTOMER	KOMATSU	OEM PARTS NUMBER	600-825-6251
NOMINAL OUT PUT	24V 60A	SUPPLY TERM	10.01~
WEIGHT	11kg	REGULATOR	BUILT-IN
ENGINE MODEL	SA6D125E-2, OTHERS		
VEHICLE	WA450-3, OTHERS		
DESIGN RECORD	4330 → 4331 ROTOR ASSY, COLLAR, STATOR ASSY, F. BRACKET ASSY, PULLEY, PULLEY NUT, FIELD COIL CO, R. BRACKET, COVER CHANGED		
NOTE	<p>22 TYPE V BELT DOUBLE PEAKS (QUENCHED) CLOCKWISE ROTATION PULLEY AND FAN ARE DIFFERENT FROM 0-35000-4221. OLD MODEL IS 0-35000-4330. HOWEVER, SUCH COMPONENTS ARE NOT COMPATIBLE AS ROTOR ASSY, COLLAR, STATOR ASSY, FRONT BRACKET ASSY, PULLEY, PULLEY NUT, FIELD COIL CO, REAR BRACKET AND COVER. 0-35000-4330, 4331 SHOULD USE THEIR OWN UNIQUE PARTS. HOW TO IDENTIFY THE OLD / NEW PART NUMBER OF ALTERNATOR ASSY : OLD MODEL USES PLAIN WASHER, SPRING WASHER AND NUT TO FIX PULLEY. NEW MODEL USES FLANGE NUT TO FIX PULLEY.</p>		

0-35000-4331 ALTERNATOR (MAKER PART NO 600-825-6251)

No	Parts Number	Maker Parts No	Description	Qty	List Price	Note
1	0-35100-0418		ROTOR ASSY	1		
1-2	1-33923-0240		COLLAR	1		
1-3	0-35923-0160		COLLAR	1		
1-4	0-09201-0980		BALL BEARING	1		REAR
1-5	0-35926-0070		RETAINER	1		
1-6	0-35951-0060		PACKING	2		
1-7	0-35926-0090		RETAINER	1		
1-8	0-09201-1450		BALL BEARING	1		FRONT
1-9	1-33926-0730		RETAINER	1		
2	0-35200-0528		STATOR ASSY	1		
3	0-35300-0450		F.BRACKET ASSY	1		INCLUDING 1-5~1-9
3-1	0-0275-06802		BOLT	3		THROUGH BOLT
4	0-35411-0188		PULLEY	1		
4-1	0-35421-0240		FAN	1		
4-4	0-09006-0730		NUT	1		
5	0-35120-0528		FIELD COIL CO	1		
7	0-35700-1170		R.BRACKET ASSY	1		INCLUDING 7-1~7-10, 7-12, 8
7-1	0-35710-1350		REAR BRACKET CO	1		
7-2	0-35730-0700		RECTIFIER ASSY	1		
7-3	0-09170-2501		CONDENSER	1		
7-4	0-35943-0170		INSULATE BUSH	2		
7-5	0-35943-0154		INSULATE BUSH	1		
7-6	0-35923-0134		COLLAR	1		
7-7	0-35943-0160		INSULATE BUSH	1		
7-8	0-35943-0140		INSULATE BUSH	1		
7-9	0-35784-0210		CONNECT BAR	1		
7-10	0-35784-0290		CONNECT BAR	1		
7-11	0-35761-0318		COVER	1		
7-12	0-09057-0220		WASHER	2		
7-13	0-09011-3540		SCREW	2		
7-14	0-0056-05302		SCREW	3		
8	0-35719-0201		REGULATOR ASSY	1		

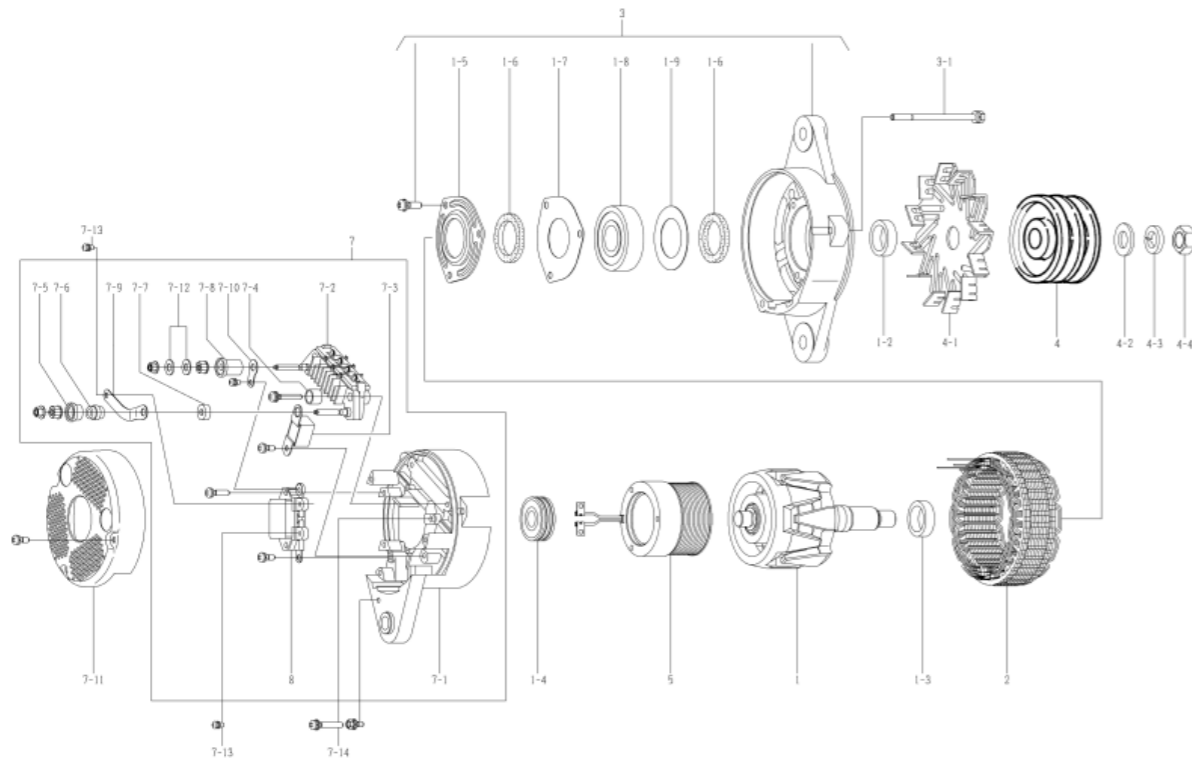


0-35000-4350 ALTERNATOR

OEM CUSTOMER	KOMATSU	OEM PARTS NUMBER	600-825-6270
NOMINAL OUT PUT	24V 60A	SUPPLY TERM	99.09~
WEIGHT	11kg	REGULATOR	BUILT-IN
ENGINE MODEL	SAA6D140E-2, OTHERS		
VEHICLE	PC750-6, OTHERS		
DESIGN RECORD			
NOTE	<p>10 TYPE V BELT DOUBLE PEAKS (QUENCHED) COUNTERCLOCKWISE ROTATION PULLEY IS DIFFERENT FROM 0-35000-4220. THE LATEST MODEL IS 0-35000-4351. HOWEVER, SUCH COMPONENTS ARE NOT COMPATIBLE AS ROTOR ASSY, COLLAR, STATOR ASSY, FRONT BRACKET ASSY, PULLEY, PULLEY NUT, FIELD COIL CO, REAR BRACKET AND COVER. 0-35000-4350, 4351 SHOULD USE THEIR OWN UNIQUE PARTS. HOW TO IDENTIFY THE OLD / NEW PART NUMBER OF ALTERNATOR ASSY : OLD MODEL USES PLAIN WASHER, SPRING WASHER AND NUT TO FIX PULLEY. NEW MODEL USES FLANGE NUT TO FIX PULLEY.</p>		

0-35000-4350 ALTERNATOR (MAKER PART NO 600-825-6270)

No	Parts Number	Maker Parts No	Description	Qty	List Price	Note
1	0-35100-0300		ROTOR ASSY	1		
1-2	1-33923-0790		COLLAR	1		
1-3	0-35923-0160		COLLAR	1		
1-4	0-09201-0980		BALL BEARING	1		REAR
1-5	0-35926-0070		RETAINER	1		
1-6	0-35951-0060		PACKING	2		
1-7	0-35926-0090		RETAINER	1		
1-8	0-09201-1140		BALL BEARING	1		FRONT
1-9	1-33926-0730		RETAINER	1		
2	0-35200-0460		STATOR ASSY	1		
3	0-35300-0350		F.BRACKET ASSY	1		INCLUDING 1-5~1-9
3-1	0-0275-06802		BOLT	3		THROUGH BOLT
4	0-35411-0700		PULLEY	1		
4-1	0-35421-0230		FAN	1		
4-2	0-09057-0230		WASHER	1		
4-3	1-0335-16002		SPRING WASHER	1		
4-4	0-0280-16022		NUT	1		
5	0-35120-0290		FIELD COIL CO	1		
7	0-35700-0921		R.BRACKET ASSY	1		INCLUDING 7-1~7-10, 7-12, 8
7-1	0-35710-1010		REAR BRACKET CO	1		
7-2	0-35730-0700		RECTIFIER ASSY	1		
7-3	0-09170-2501		CONDENSER	1		
7-4	0-35943-0170		INSULATE BUSH	2		
7-5	0-35943-0150		INSULATE BUSH	1		
7-6	0-35923-0130		COLLAR	1		
7-7	0-35943-0160		INSULATE BUSH	1		
7-8	0-35943-0140		INSULATE BUSH	1		
7-9	0-35784-0210		CONNECT BAR	1		
7-10	0-35784-0290		CONNECT BAR	1		
7-11	0-35761-0250		COVER	1		
7-12	0-09057-0220		WASHER	2		
7-13	0-09011-3540		SCREW	2		
7-14	0-0056-05302		SCREW	3		
8	0-35719-0211		REGULATOR ASSY	1		

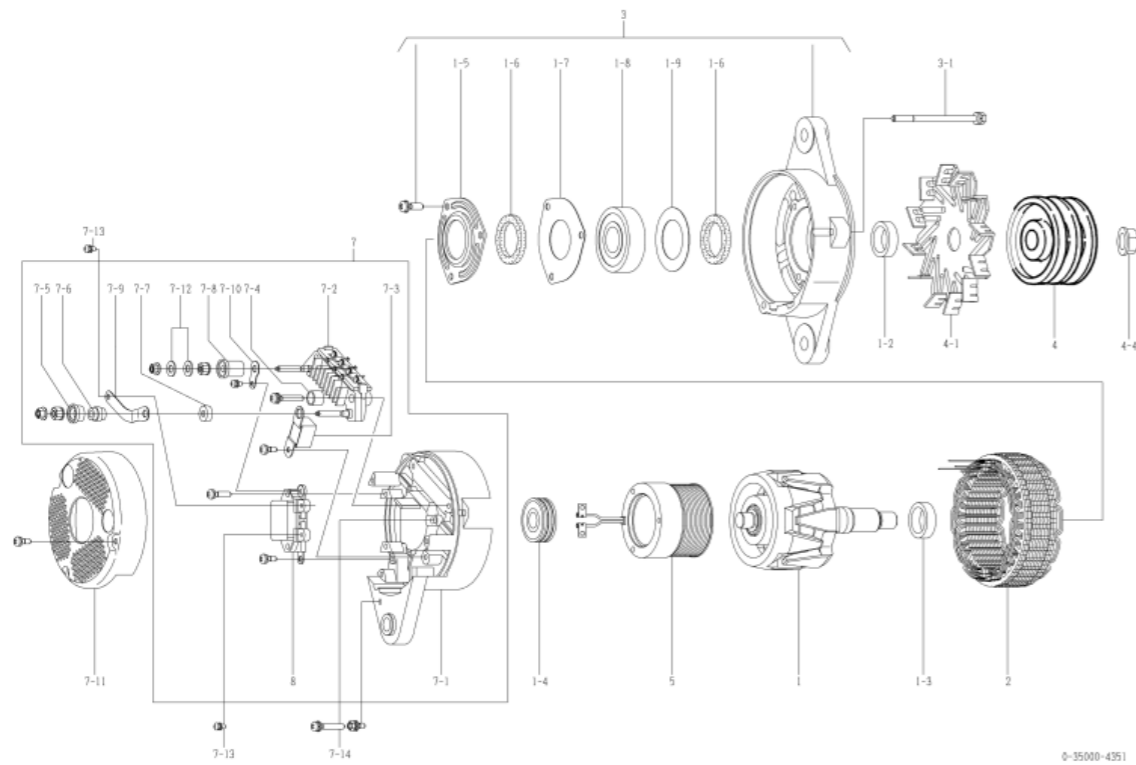


0-35000-4351 ALTERNATOR

OEM CUSTOMER	KOMATSU	OEM PARTS NUMBER	600-825-6271
NOMINAL OUT PUT	24V 60A	SUPPLY TERM	10.01~
WEIGHT	11kg	REGULATOR	BUILT-IN
ENGINE MODEL	SAA6D140E-2, OTHERS		
VEHICLE	PC750-6, OTHERS		
DESIGN RECORD	4350 → 4351 ROTOR ASSY, COLLAR, STATOR ASSY, F. BRACKET ASSY, PULLEY, PULLEY NUT, FIELD COIL CO, R. BRACKET, COVER CHANGED		
NOTE	<p>10 TYPE V BELT DOUBLE PEAKS (QUENCHED) COUNTERCLOCKWISE ROTATION PULLEY IS DIFFERENT FROM 0-35000-4221. OLD MODEL IS 0-35000-4350. HOWEVER, SUCH COMPONENTS ARE NOT COMPATIBLE AS ROTOR ASSY, COLLAR, STATOR ASSY, FRONT BRACKET ASSY, PULLEY, PULLEY NUT, FIELD COIL CO, REAR BRACKET AND COVER. 0-35000-4350, 4351 SHOULD USE THEIR OWN UNIQUE PARTS. HOW TO IDENTIFY THE OLD / NEW PART NUMBER OF ALTERNATOR ASSY : OLD MODEL USES PLAIN WASHER, SPRING WASHER AND NUT TO FIX PULLEY. NEW MODEL USES FLANGE NUT TO FIX PULLEY.</p>		

0-35000-4351 ALTERNATOR (MAKER PART NO 600-825-6271)

No	Parts Number	Maker Parts No	Description	Qty	List Price	Note
1	0-35100-0418		ROTOR ASSY	1		
1-2	1-33923-0240		COLLAR	1		
1-3	0-35923-0160		COLLAR	1		
1-4	0-09201-0980		BALL BEARING	1		REAR
1-5	0-35926-0070		RETAINER	1		
1-6	0-35951-0060		PACKING	2		
1-7	0-35926-0090		RETAINER	1		
1-8	0-09201-1450		BALL BEARING	1		FRONT
1-9	1-33926-0730		RETAINER	1		
2	0-35200-0528		STATOR ASSY	1		
3	0-35300-0450		F.BRACKET ASSY	1		INCLUDING 1-5~1-9
3-1	0-0275-06802		BOLT	3		THROUGH BOLT
4	0-35411-0708		PULLEY	1		
4-1	0-35421-0230		FAN	1		
4-4	0-09006-0730		NUT	1		
5	0-35120-0528		FIELD COIL CO	1		
7	0-35700-1170		R.BRACKET ASSY	1		INCLUDING 7-1~7-10, 7-12, 8
7-1	0-35710-1350		REAR BRACKET CO	1		
7-2	0-35730-0700		RECTIFIER ASSY	1		
7-3	0-09170-2501		CONDENSER	1		
7-4	0-35943-0170		INSULATE BUSH	2		
7-5	0-35943-0154		INSULATE BUSH	1		
7-6	0-35923-0134		COLLAR	1		
7-7	0-35943-0160		INSULATE BUSH	1		
7-8	0-35943-0140		INSULATE BUSH	1		
7-9	0-35784-0210		CONNECT BAR	1		
7-10	0-35784-0290		CONNECT BAR	1		
7-11	0-35761-0318		COVER	1		
7-12	0-09057-0220		WASHER	2		
7-13	0-09011-3540		SCREW	2		
7-14	0-0056-05302		SCREW	3		
8	0-35719-0201		REGULATOR ASSY	1		



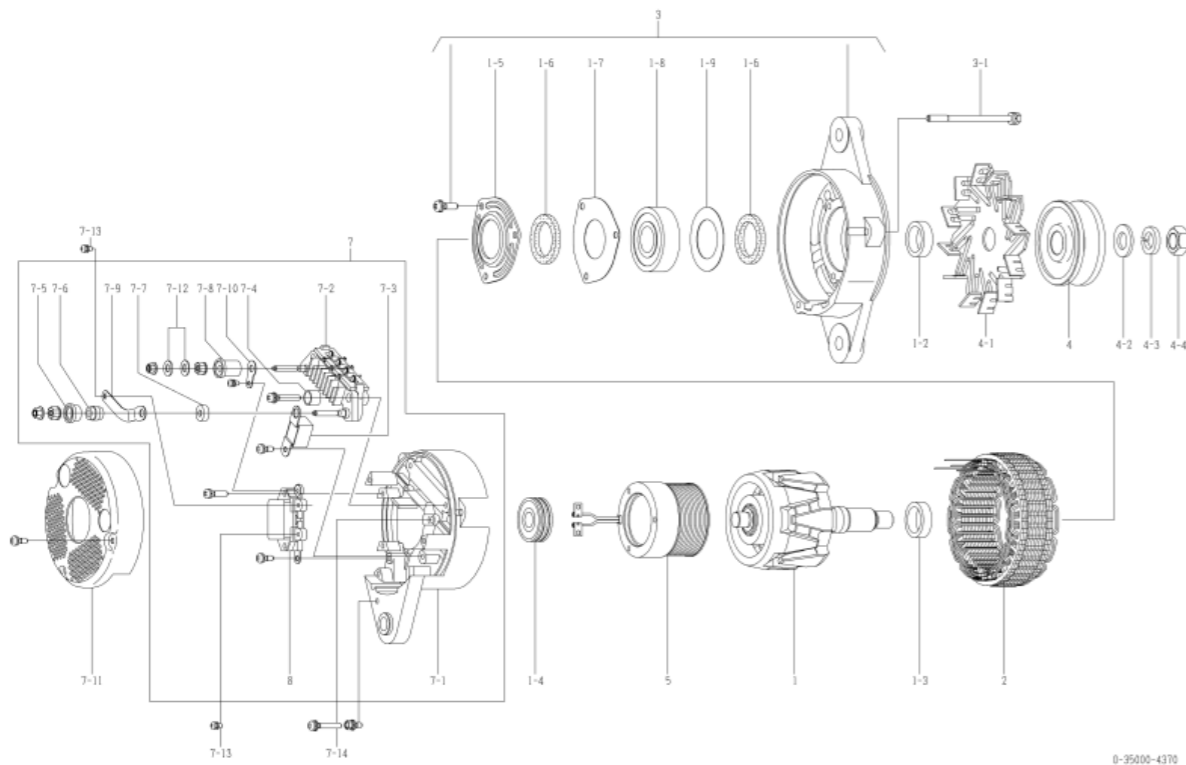
0-35000-4351

0-35000-4370 ALTERNATOR

OEM CUSTOMER	KOMATSU	OEM PARTS NUMBER	600-825-6330
NOMINAL OUT PUT	24V 60A	SUPPLY TERM	99.09~
WEIGHT	11kg	REGULATOR	BUILT-IN
ENGINE MODEL	SA6D170E-2, OTHERS		
VEHICLE	D275A, OTHERS		
DESIGN RECORD			
NOTE	<p>19 TYPE V BELT SINGLE PEAK COLD RESISTANCE CLOCKWISE ROTATION F. BRACKET ASSY AND REAR BEARING ARE DIFFERENT FROM 0-35000-4240. THE LATEST MODEL IS 0-35000-4371. HOWEVER, SUCH COMPONENTS ARE NOT COMPATIBLE AS ROTOR ASSY, COLLAR, STATOR ASSY, FRONT BRACKET ASSY, PULLEY, PULLEY NUT, FIELD COIL CO, REAR BRACKET AND COVER. 0-35000-4370, 4371 SHOULD USE THEIR OWN UNIQUE PARTS. HOW TO IDENTIFY THE OLD / NEW PART NUMBER OF ALTERNATOR ASSY : OLD MODEL USES PLAIN WASHER, SPRING WASHER AND NUT TO FIX PULLEY. NEW MODEL USES FLANGE NUT TO FIX PULLEY.</p>		

0-35000-4370 ALTERNATOR (MAKER PART NO 600-825-6330)

No	Parts Number	Maker Parts No	Description	Qty	List Price	Note
1	0-35100-0300		ROTOR ASSY	1		
1-2	1-33923-0790		COLLAR	1		
1-3	0-35923-0160		COLLAR	1		
1-4	0-09201-1130		BALL BEARING	1		REAR
1-5	0-35926-0070		RETAINER	1		
1-6	0-35951-0060		PACKING	2		
1-7	0-35926-0090		RETAINER	1		
1-8	0-09201-1160		BALL BEARING	1		FRONT
1-9	1-33926-0730		RETAINER	1		
2	0-35200-0460		STATOR ASSY	1		
3	0-35300-0380		F.BRACKET ASSY	1		INCLUDING 1-5~1-9
3-1	0-0275-06802		BOLT	3		THROUGH BOLT
4	0-35411-0600		PULLEY	1		
4-1	0-35421-0240		FAN	1		
4-2	0-09057-0230		WASHER	1		
4-3	1-0335-16002		SPRING WASHER	1		
4-4	0-0280-16022		NUT	1		
5	0-35120-0290		FIELD COIL CO	1		
7	0-35700-0921		R.BRACKET ASSY	1		INCLUDING 7-1~7-10, 7-12, 8
7-1	0-35710-1010		REAR BRACKET CO	1		
7-2	0-35730-0700		RECTIFIER ASSY	1		
7-3	0-09170-2501		CONDENSER	1		
7-4	0-35943-0170		INSULATE BUSH	2		
7-5	0-35943-0150		INSULATE BUSH	1		
7-6	0-35923-0130		COLLAR	1		
7-7	0-35943-0160		INSULATE BUSH	1		
7-8	0-35943-0140		INSULATE BUSH	1		
7-9	0-35784-0210		CONNECT BAR	1		
7-10	0-35784-0290		CONNECT BAR	1		
7-11	0-35761-0250		COVER	1		
7-12	0-09057-0220		WASHER	2		
7-13	0-09011-3540		SCREW	2		
7-14	0-0056-05302		SCREW	3		
8	0-35719-0211		REGULATOR ASSY	1		

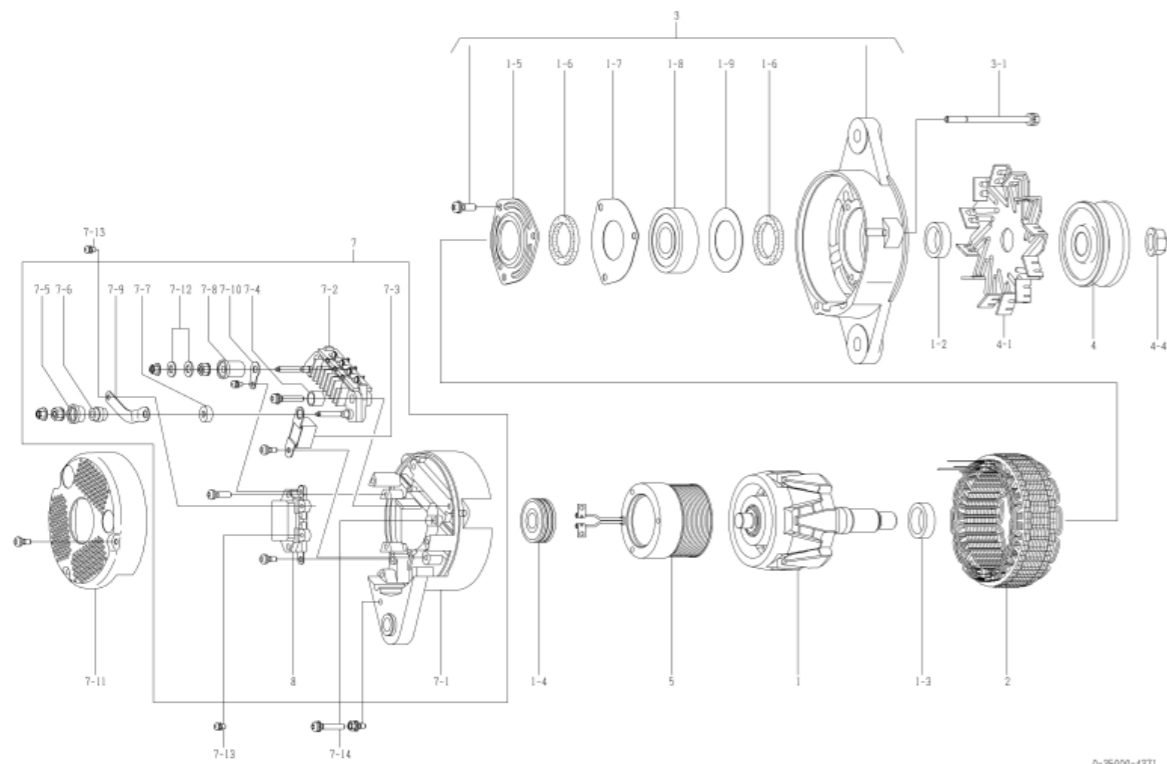


0-35000-4371 ALTERNATOR

OEM CUSTOMER	KOMATSU	OEM PARTS NUMBER	600-825-6331
NOMINAL OUT PUT	24V 60A	SUPPLY TERM	10.01~
WEIGHT	11kg	REGULATOR	BUILT-IN
ENGINE MODEL	SA6D170E-2, OTHERS		
VEHICLE	D275A, OTHERS		
DESIGN RECORD	4370 → 4371 ROTOR ASSY, COLLAR, STATOR ASSY, F. BRACKET ASSY, PULLEY, PULLEY NUT, FIELD COIL CO, R. BRACKET, COVER CHANGED		
NOTE	<p>19 TYPE V BELT SINGLE PEAK COLD RESISTANCE CLOCKWISE ROTATION F. BRACKET ASSY AND REAR BEARING ARE DIFFERENT FROM 0-35000-4241. OLD MODEL IS 0-35000-4370. HOWEVER, SUCH COMPONENTS ARE NOT COMPATIBLE AS ROTOR ASSY, COLLAR, STATOR ASSY, FRONT BRACKET ASSY, PULLEY, PULLEY NUT, FIELD COIL CO, REAR BRACKET AND COVER. 0-35000-4370, 4371 SHOULD USE THEIR OWN UNIQUE PARTS. HOW TO IDENTIFY THE OLD / NEW PART NUMBER OF ALTERNATOR ASSY : OLD MODEL USES PLAIN WASHER, SPRING WASHER AND NUT TO FIX PULLEY. NEW MODEL USES FLANGE NUT TO FIX PULLEY.</p>		

0-35000-4371 ALTERNATOR (MAKER PART NO 600-825-6331)

No	Parts Number	Maker Parts No	Description	Qty	List Price	Note
1	0-35100-0418		ROTOR ASSY	1		
1-2	1-33923-0240		COLLAR	1		
1-3	0-35923-0160		COLLAR	1		
1-4	0-09201-1130		BALL BEARING	1		REAR
1-5	0-35926-0070		RETAINER	1		
1-6	0-35951-0060		PACKING	2		
1-7	0-35926-0090		RETAINER	1		
1-8	0-09201-1460		BALL BEARING	1		FRONT
1-9	1-33926-0730		RETAINER	1		
2	0-35200-0528		STATOR ASSY	1		
3	0-35300-0470		F.BRACKET ASSY	1		INCLUDING 1-5~1-9
3-1	0-0275-06802		BOLT	3		THROUGH BOLT
4	0-35411-0604		PULLEY	1		
4-1	0-35421-0240		FAN	1		
4-4	0-09006-0730		NUT	1		
5	0-35120-0528		FIELD COIL CO	1		
7	0-35700-1170		R.BRACKET ASSY	1		INCLUDING 7-1~7-10, 7-12, 8
7-1	0-35710-1350		REAR BRACKET CO	1		
7-2	0-35730-0700		RECTIFIER ASSY	1		
7-3	0-09170-2501		CONDENSER	1		
7-4	0-35943-0170		INSULATE BUSH	2		
7-5	0-35943-0154		INSULATE BUSH	1		
7-6	0-35923-0134		COLLAR	1		
7-7	0-35943-0160		INSULATE BUSH	1		
7-8	0-35943-0140		INSULATE BUSH	1		
7-9	0-35784-0210		CONNECT BAR	1		
7-10	0-35784-0290		CONNECT BAR	1		
7-11	0-35761-0318		COVER	1		
7-12	0-09057-0220		WASHER	2		
7-13	0-09011-3540		SCREW	2		
7-14	0-0056-05302		SCREW	3		
8	0-35719-0201		REGULATOR ASSY	1		

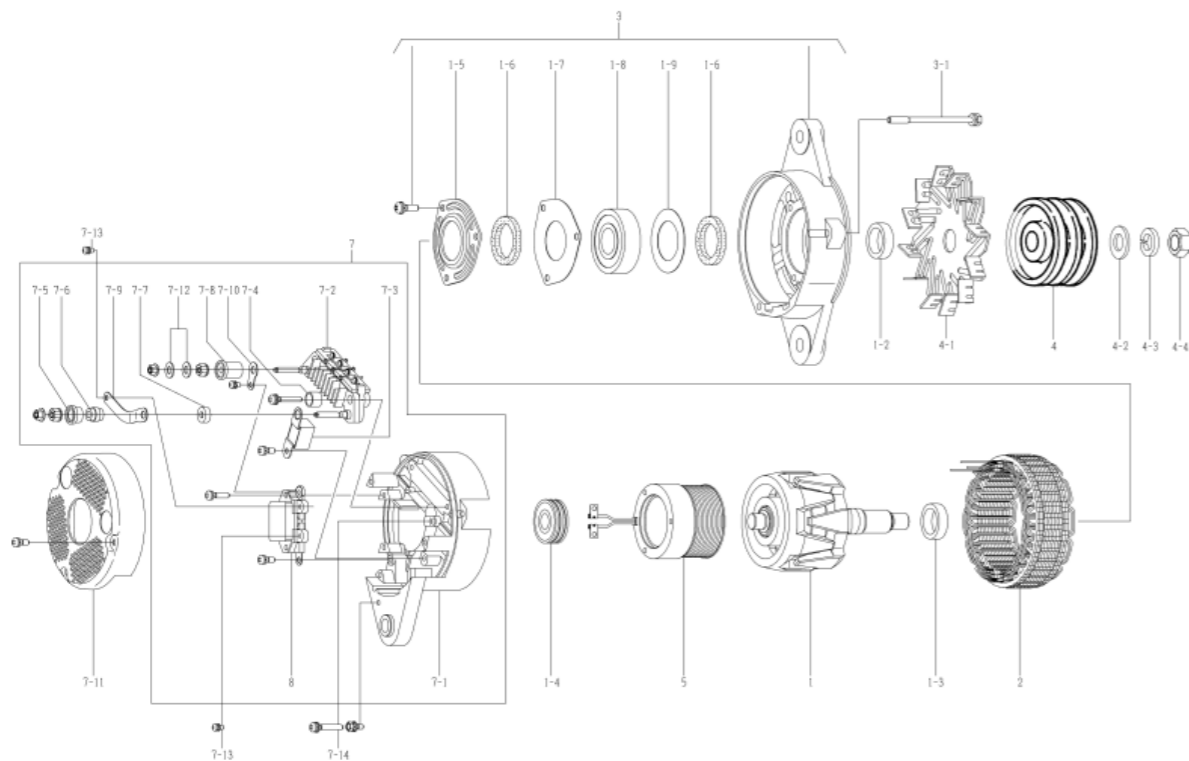


0-35000-4400 ALTERNATOR

OEM CUSTOMER	KOMATSU	OEM PARTS NUMBER	600-825-6370
NOMINAL OUT PUT	24V 60A	SUPPLY TERM	99.09~
WEIGHT	11kg	REGULATOR	BUILT-IN
ENGINE MODEL	SA6D140-2C, OTHERS		
VEHICLE	D355CDA-3D, OTHERS		
DESIGN RECORD			
NOTE	<p>10 TYPE V BELT DOUBLE PEAKS COLD RESISTANCE COUNTERCLOCKWISE ROTATION F. BRACKET ASSY AND REAR BEARING ARE DIFFERENT FROM 0-35000-4220. THE LATEST MODEL IS 0-35000-4401. HOWEVER, SUCH COMPONENTS ARE NOT COMPATIBLE AS ROTOR ASSY, COLLAR, STATOR ASSY, FRONT BRACKET ASSY, PULLEY, PULLEY NUT, FIELD COIL CO, REAR BRACKET AND COVER. 0-35000-4400, 4401 SHOULD USE THEIR OWN UNIQUE PARTS. HOW TO IDENTIFY THE OLD / NEW PART NUMBER OF ALTERNATOR ASSY : OLD MODEL USES PLAIN WASHER, SPRING WASHER AND NUT TO FIX PULLEY. NEW MODEL USES FLANGE NUT TO FIX PULLEY.</p>		

0-35000-4400 ALTERNATOR (MAKER PART NO 600-825-6370)

No	Parts Number	Maker Parts No	Description	Qty	List Price	Note
1	0-35100-0300		ROTOR ASSY	1		
1-2	1-33923-0790		COLLAR	1		
1-3	0-35923-0160		COLLAR	1		
1-4	0-09201-1130		BALL BEARING	1		REAR
1-5	0-35926-0070		RETAINER	1		
1-6	0-35951-0060		PACKING	2		
1-7	0-35926-0090		RETAINER	1		
1-8	0-09201-1160		BALL BEARING	1		FRONT
1-9	1-33926-0730		RETAINER	1		
2	0-35200-0460		STATOR ASSY	1		
3	0-35300-0380		F.BRACKET ASSY	1		INCLUDING 1-5~1-9
3-1	0-0275-06802		BOLT	3		THROUGH BOLT
4	0-35411-0631		PULLEY	1		
4-1	0-35421-0230		FAN	1		
4-2	0-09057-0230		WASHER	1		
4-3	1-0335-16002		SPRING WASHER	1		
4-4	0-0280-16022		NUT	1		
5	0-35120-0290		FIELD COIL CO	1		
7	0-35700-0921		R.BRACKET ASSY	1		INCLUDING 7-1~7-10, 7-12, 8
7-1	0-35710-1010		REAR BRACKET CO	1		
7-2	0-35730-0700		RECTIFIER ASSY	1		
7-3	0-09170-2501		CONDENSER	1		
7-4	0-35943-0170		INSULATE BUSH	2		
7-5	0-35943-0150		INSULATE BUSH	1		
7-6	0-35923-0130		COLLAR	1		
7-7	0-35943-0160		INSULATE BUSH	1		
7-8	0-35943-0140		INSULATE BUSH	1		
7-9	0-35784-0210		CONNECT BAR	1		
7-10	0-35784-0290		CONNECT BAR	1		
7-11	0-35761-0250		COVER	1		
7-12	0-09057-0220		WASHER	2		
7-13	0-09011-3540		SCREW	2		
7-14	0-0056-05302		SCREW	3		
8	0-35719-0211		REGULATOR ASSY	1		

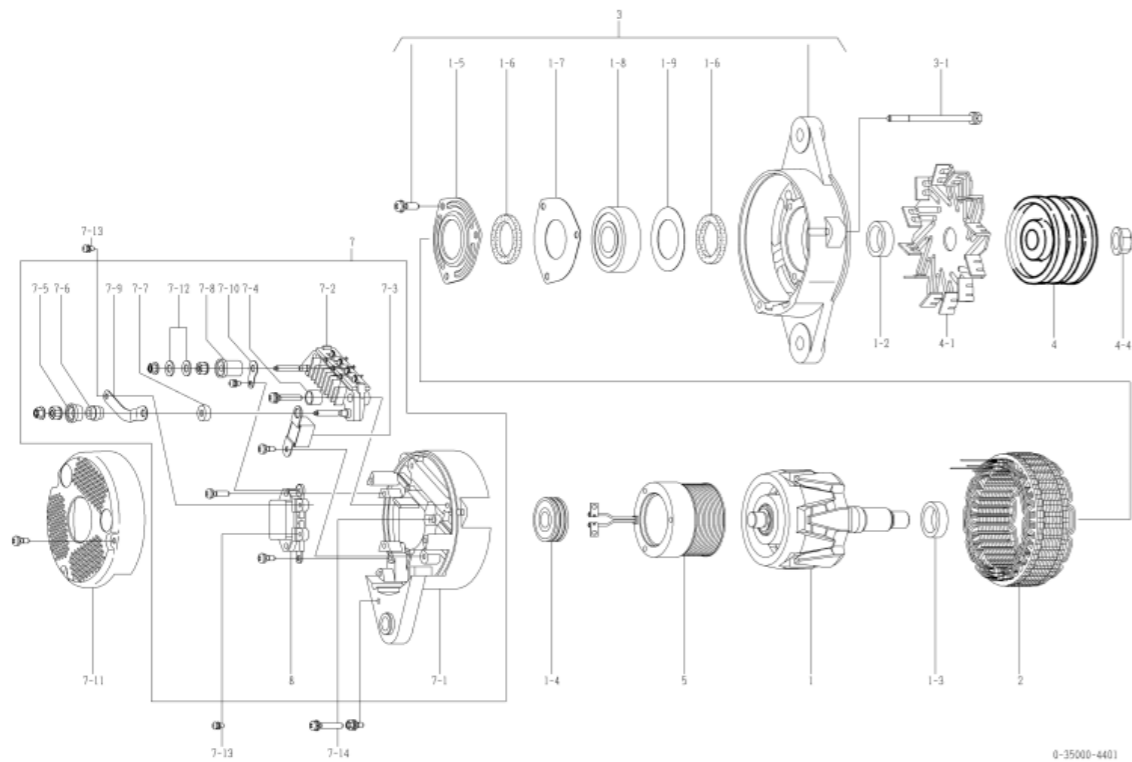


0-35000-4401 ALTERNATOR

OEM CUSTOMER	KOMATSU	OEM PARTS NUMBER	600-825-6371
NOMINAL OUT PUT	24V 60A	SUPPLY TERM	10.01~
WEIGHT	11kg	REGULATOR	BUILT-IN
ENGINE MODEL	SA6D140-2C, OTHERS		
VEHICLE	D355CDA-3D, OTHERS		
DESIGN RECORD	4400 → 4401	ROTOR ASSY, COLLAR, STATOR ASSY, F. BRACKET ASSY, PULLEY, PULLEY NUT, FIELD COIL CO, R. BRACKET, COVER CHANGED	
NOTE	<p>10 TYPE V BELT DOUBLE PEAKS COLD RESISTANCE COUNTERCLOCKWISE ROTATION F. BRACKET ASSY AND REAR BEARING ARE DIFFERENT FROM 0-35000-4221. OLD MODEL IS 0-35000-4400. HOWEVER, SUCH COMPONENTS ARE NOT COMPATIBLE AS ROTOR ASSY, COLLAR, STATOR ASSY, FRONT BRACKET ASSY, PULLEY, PULLEY NUT, FIELD COIL CO, REAR BRACKET AND COVER. 0-35000-4400, 4401 SHOULD USE THEIR OWN UNIQUE PARTS. HOW TO IDENTIFY THE OLD / NEW PART NUMBER OF ALTERNATOR ASSY : OLD MODEL USES PLAIN WASHER, SPRING WASHER AND NUT TO FIX PULLEY. NEW MODEL USES FLANGE NUT TO FIX PULLEY.</p>		

0-35000-4401 ALTERNATOR (MAKER PART NO 600-825-6371)

No	Parts Number	Maker Parts No	Description	Qty	List Price	Note
1	0-35100-0418		ROTOR ASSY	1		
1-2	1-33923-0240		COLLAR	1		
1-3	0-35923-0160		COLLAR	1		
1-4	0-09201-1130		BALL BEARING	1		REAR
1-5	0-35926-0070		RETAINER	1		
1-6	0-35951-0060		PACKING	2		
1-7	0-35926-0090		RETAINER	1		
1-8	0-09201-1460		BALL BEARING	1		FRONT
1-9	1-33926-0730		RETAINER	1		
2	0-35200-0528		STATOR ASSY	1		
3	0-35300-0470		F.BRACKET ASSY	1		INCLUDING 1-5~1-9
3-1	0-0275-06802		BOLT	3		THROUGH BOLT
4	0-35411-0638		PULLEY	1		
4-1	0-35421-0230		FAN	1		
4-4	0-09006-0730		NUT	1		
5	0-35120-0528		FIELD COIL CO	1		
7	0-35700-1170		R.BRACKET ASSY	1		INCLUDING 7-1~7-10, 7-12, 8
7-1	0-35710-1350		REAR BRACKET CO	1		
7-2	0-35730-0700		RECTIFIER ASSY	1		
7-3	0-09170-2501		CONDENSER	1		
7-4	0-35943-0170		INSULATE BUSH	2		
7-5	0-35943-0154		INSULATE BUSH	1		
7-6	0-35923-0134		COLLAR	1		
7-7	0-35943-0160		INSULATE BUSH	1		
7-8	0-35943-0140		INSULATE BUSH	1		
7-9	0-35784-0210		CONNECT BAR	1		
7-10	0-35784-0290		CONNECT BAR	1		
7-11	0-35761-0318		COVER	1		
7-12	0-09057-0220		WASHER	2		
7-13	0-09011-3540		SCREW	2		
7-14	0-0056-05302		SCREW	3		
8	0-35719-0201		REGULATOR ASSY	1		

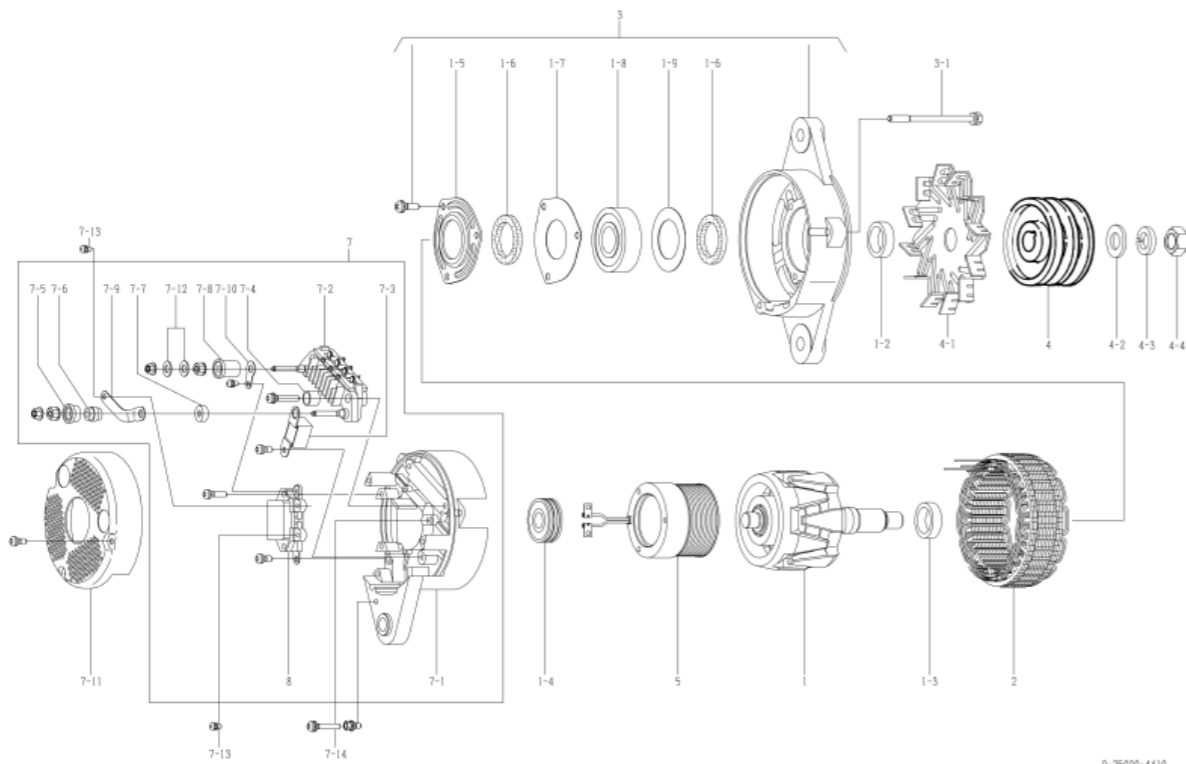


0-35000-4410 ALTERNATOR

OEM CUSTOMER	KOMATSU	OEM PARTS NUMBER	600-825-6510
NOMINAL OUT PUT	24V 60A	SUPPLY TERM	99.09~
WEIGHT	11kg	REGULATOR	BUILT-IN
ENGINE MODEL	S6D155-4, OTHERS		
VEHICLE	D155A-1, OTHERS		
DESIGN RECORD			
NOTE	<p>13 TYPE V BELT DOUBLE PEAKS CLOCKWISE ROTATION PULLEY AND FAN ARE DIFFERENT FROM 0-35000-4220. THE LATEST MODEL IS 0-35000-4411. HOWEVER, SUCH COMPONENTS ARE NOT COMPATIBLE AS ROTOR ASSY, COLLAR, STATOR ASSY, FRONT BRACKET ASSY, PULLEY, PULLEY NUT, FIELD COIL CO, REAR BRACKET AND COVER. 0-35000-4410, 4411 SHOULD USE THEIR OWN UNIQUE PARTS. HOW TO IDENTIFY THE OLD / NEW PART NUMBER OF ALTERNATOR ASSY : OLD MODEL USES PLAIN WASHER, SPRING WASHER AND NUT TO FIX PULLEY. NEW MODEL USES FLANGE NUT TO FIX PULLEY.</p>		

0-35000-4410 ALTERNATOR (MAKER PART NO 600-825-6510)

No	Parts Number	Maker Parts No	Description	Qty	List Price	Note
1	0-35100-0300		ROTOR ASSY	1		
1-2	1-33923-0790		COLLAR	1		
1-3	0-35923-0160		COLLAR	1		
1-4	0-09201-0980		BALL BEARING	1		REAR
1-5	0-35926-0070		RETAINER	1		
1-6	0-35951-0060		PACKING	2		
1-7	0-35926-0090		RETAINER	1		
1-8	0-09201-1140		BALL BEARING	1		FRONT
1-9	1-33926-0730		RETAINER	1		
2	0-35200-0460		STATOR ASSY	1		
3	0-35300-0350		F.BRACKET ASSY	1		INCLUDING 1-5~1-9
3-1	0-0275-06802		BOLT	3		THROUGH BOLT
4	1-33411-2470		PULLEY	1		
4-1	0-35421-0240		FAN	1		
4-2	0-09057-0230		WASHER	1		
4-3	1-0335-16002		SPRING WASHER	1		
4-4	0-0280-16022		NUT	1		
5	0-35120-0290		FIELD COIL CO	1		
7	0-35700-0921		R.BRACKET ASSY	1		INCLUDING 7-1~7-10, 7-12, 8
7-1	0-35710-1010		REAR BRACKET CO	1		
7-2	0-35730-0700		RECTIFIER ASSY	1		
7-3	0-09170-2501		CONDENSER	1		
7-4	0-35943-0170		INSULATE BUSH	2		
7-5	0-35943-0150		INSULATE BUSH	1		
7-6	0-35923-0130		COLLAR	1		
7-7	0-35943-0160		INSULATE BUSH	1		
7-8	0-35943-0140		INSULATE BUSH	1		
7-9	0-35784-0210		CONNECT BAR	1		
7-10	0-35784-0290		CONNECT BAR	1		
7-11	0-35761-0250		COVER	1		
7-12	0-09057-0220		WASHER	2		
7-13	0-09011-3540		SCREW	2		
7-14	0-0056-05302		SCREW	3		
8	0-35719-0211		REGULATOR ASSY	1		



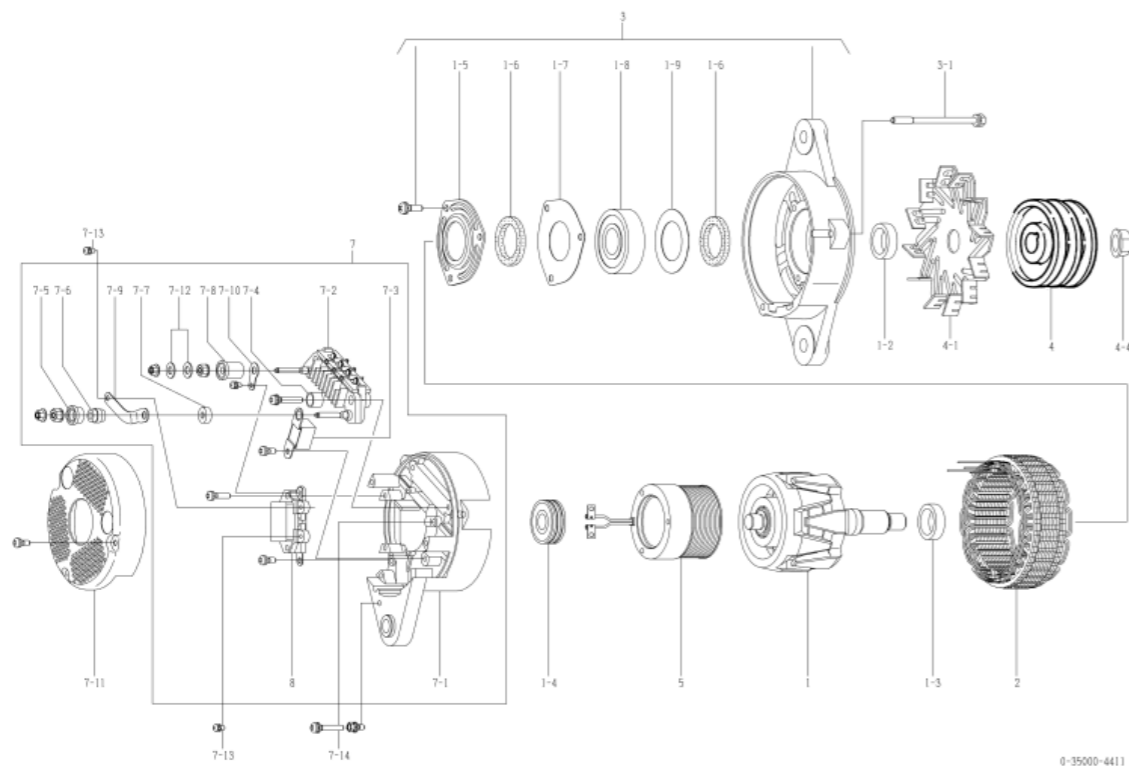
0-35000-4410

0-35000-4411 ALTERNATOR

OEM CUSTOMER	KOMATSU	OEM PARTS NUMBER	600-825-6511
NOMINAL OUT PUT	24V 60A	SUPPLY TERM	10.01~
WEIGHT	11kg	REGULATOR	BUILT-IN
ENGINE MODEL	S6D155-4, OTHERS		
VEHICLE	D155A-1, OTHERS		
DESIGN RECORD	4410 → 4411 ROTOR ASSY, COLLAR, STATOR ASSY, F. BRACKET ASSY, PULLEY, PULLEY NUT, FIELD COIL CO, R. BRACKET, COVER CHANGED		
NOTE	<p>13 TYPE V BELT DOUBLE PEAKS CLOCKWISE ROTATION PULLEY AND FAN ARE DIFFERENT FROM 0-35000-4221. OLD MODEL IS 0-35000-4410. HOWEVER, SUCH COMPONENTS ARE NOT COMPATIBLE AS ROTOR ASSY, COLLAR, STATOR ASSY, FRONT BRACKET ASSY, PULLEY, PULLEY NUT, FIELD COIL CO, REAR BRACKET AND COVER. 0-35000-4410, 4411 SHOULD USE THEIR OWN UNIQUE PARTS. HOW TO IDENTIFY THE OLD / NEW PART NUMBER OF ALTERNATOR ASSY : OLD MODEL USES PLAIN WASHER, SPRING WASHER AND NUT TO FIX PULLEY. NEW MODEL USES FLANGE NUT TO FIX PULLEY.</p>		

0-35000-4411 ALTERNATOR (MAKER PART NO 600-825-6511)

No	Parts Number	Maker Parts No	Description	Qty	List Price	Note
1	0-35100-0418		ROTOR ASSY	1		
1-2	1-33923-0240		COLLAR	1		
1-3	0-35923-0160		COLLAR	1		
1-4	0-09201-0980		BALL BEARING	1		REAR
1-5	0-35926-0070		RETAINER	1		
1-6	0-35951-0060		PACKING	2		
1-7	0-35926-0090		RETAINER	1		
1-8	0-09201-1450		BALL BEARING	1		FRONT
1-9	1-33926-0730		RETAINER	1		
2	0-35200-0528		STATOR ASSY	1		
3	0-35300-0450		F.BRACKET ASSY	1		INCLUDING 1-5~1-9
3-1	0-0275-06802		BOLT	3		THROUGH BOLT
4	0-35411-2474		PULLEY	1		
4-1	0-35421-0240		FAN	1		
4-4	0-09006-0730		NUT	1		
5	0-35120-0528		FIELD COIL CO	1		
7	0-35700-1170		R.BRACKET ASSY	1		INCLUDING 7-1~7-10, 7-12, 8
7-1	0-35710-1350		REAR BRACKET CO	1		
7-2	0-35730-0700		RECTIFIER ASSY	1		
7-3	0-09170-2501		CONDENSER	1		
7-4	0-35943-0170		INSULATE BUSH	2		
7-5	0-35943-0154		INSULATE BUSH	1		
7-6	0-35923-0134		COLLAR	1		
7-7	0-35943-0160		INSULATE BUSH	1		
7-8	0-35943-0140		INSULATE BUSH	1		
7-9	0-35784-0210		CONNECT BAR	1		
7-10	0-35784-0290		CONNECT BAR	1		
7-11	0-35761-0318		COVER	1		
7-12	0-09057-0220		WASHER	2		
7-13	0-09011-3540		SCREW	2		
7-14	0-0056-05302		SCREW	3		
8	0-35719-0201		REGULATOR ASSY	1		

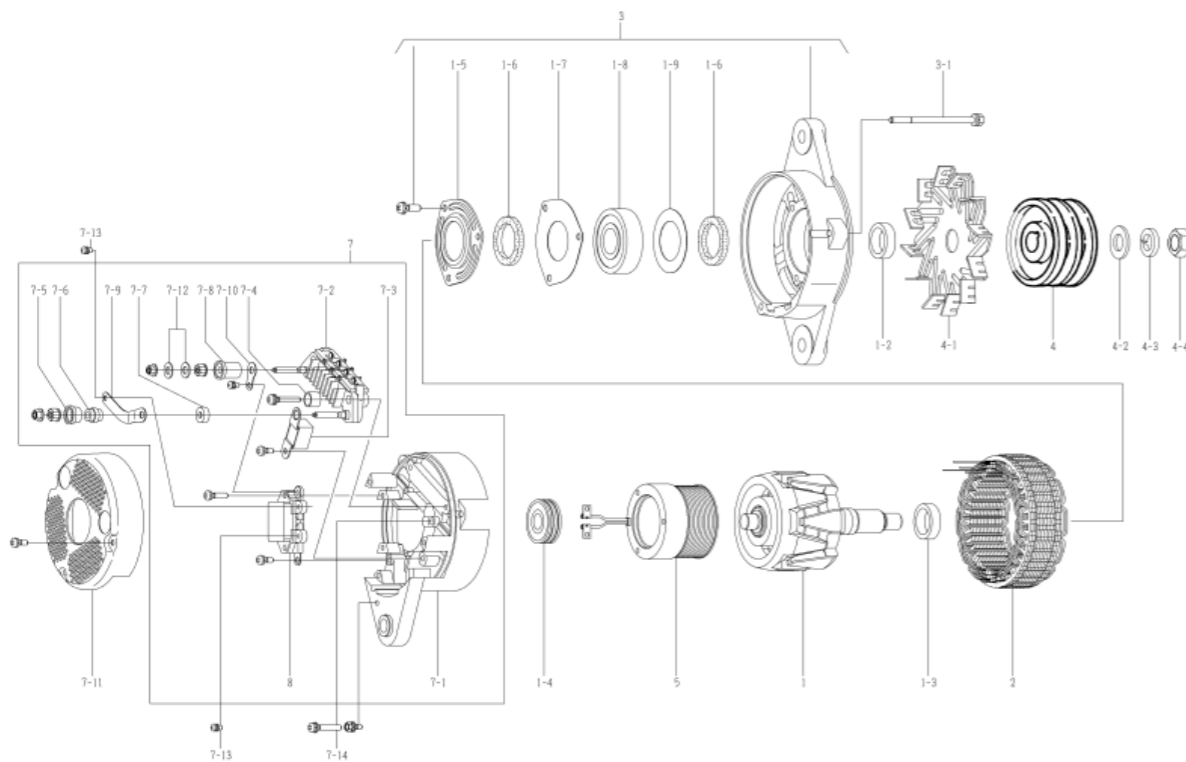


0-35000-4420 ALTERNATOR

OEM CUSTOMER	KOMATSU	OEM PARTS NUMBER	600-825-6520
NOMINAL OUT PUT	24V 60A	SUPPLY TERM	99.09~
WEIGHT	11kg	REGULATOR	BUILT-IN
ENGINE MODEL	SA6D155		
VEHICLE	D355A-2		
DESIGN RECORD			
NOTE	<p>13 TYPE V BELT DOUBLE PEAKS COLD RESISTANCE CLOCKWISE ROTATION F. BRACKET ASSY AND REAR BEARING ARE DIFFERENT FROM 0-35000-4410. THE LATEST MODEL IS 0-35000-4421. HOWEVER, SUCH COMPONENTS ARE NOT COMPATIBLE AS ROTOR ASSY, COLLAR, STATOR ASSY, FRONT BRACKET ASSY, PULLEY, PULLEY NUT, FIELD COIL CO, REAR BRACKET AND COVER. 0-35000-4420, 4421 SHOULD USE THEIR OWN UNIQUE PARTS. HOW TO IDENTIFY THE OLD / NEW PART NUMBER OF ALTERNATOR ASSY : OLD MODEL USES PLAIN WASHER, SPRING WASHER AND NUT TO FIX PULLEY. NEW MODEL USES FLANGE NUT TO FIX PULLEY.</p>		

0-35000-4420 ALTERNATOR (MAKER PART NO 600-825-6520)

No	Parts Number	Maker Parts No	Description	Qty	List Price	Note
1	0-35100-0300		ROTOR ASSY	1		
1-2	1-33923-0790		COLLAR	1		
1-3	0-35923-0160		COLLAR	1		
1-4	0-09201-1130		BALL BEARING	1		REAR
1-5	0-35926-0070		RETAINER	1		
1-6	0-35951-0060		PACKING	2		
1-7	0-35926-0090		RETAINER	1		
1-8	0-09201-1160		BALL BEARING	1		FRONT
1-9	1-33926-0730		RETAINER	1		
2	0-35200-0460		STATOR ASSY	1		
3	0-35300-0380		F.BRACKET ASSY	1		INCLUDING 1-5~1-9
3-1	0-0275-06802		BOLT	3		THROUGH BOLT
4	1-33411-2470		PULLEY	1		
4-1	0-35421-0240		FAN	1		
4-2	0-09057-0230		WASHER	1		
4-3	1-0335-16002		SPRING WASHER	1		
4-4	0-0280-16022		NUT	1		
5	0-35120-0290		FIELD COIL CO	1		
7	0-35700-0921		R.BRACKET ASSY	1		INCLUDING 7-1~7-10, 7-12, 8
7-1	0-35710-1010		REAR BRACKET CO	1		
7-2	0-35730-0700		RECTIFIER ASSY	1		
7-3	0-09170-2501		CONDENSER	1		
7-4	0-35943-0170		INSULATE BUSH	2		
7-5	0-35943-0150		INSULATE BUSH	1		
7-6	0-35923-0130		COLLAR	1		
7-7	0-35943-0160		INSULATE BUSH	1		
7-8	0-35943-0140		INSULATE BUSH	1		
7-9	0-35784-0210		CONNECT BAR	1		
7-10	0-35784-0290		CONNECT BAR	1		
7-11	0-35761-0250		COVER	1		
7-12	0-09057-0220		WASHER	2		
7-13	0-09011-3540		SCREW	2		
7-14	0-0056-05302		SCREW	3		
8	0-35719-0211		REGULATOR ASSY	1		

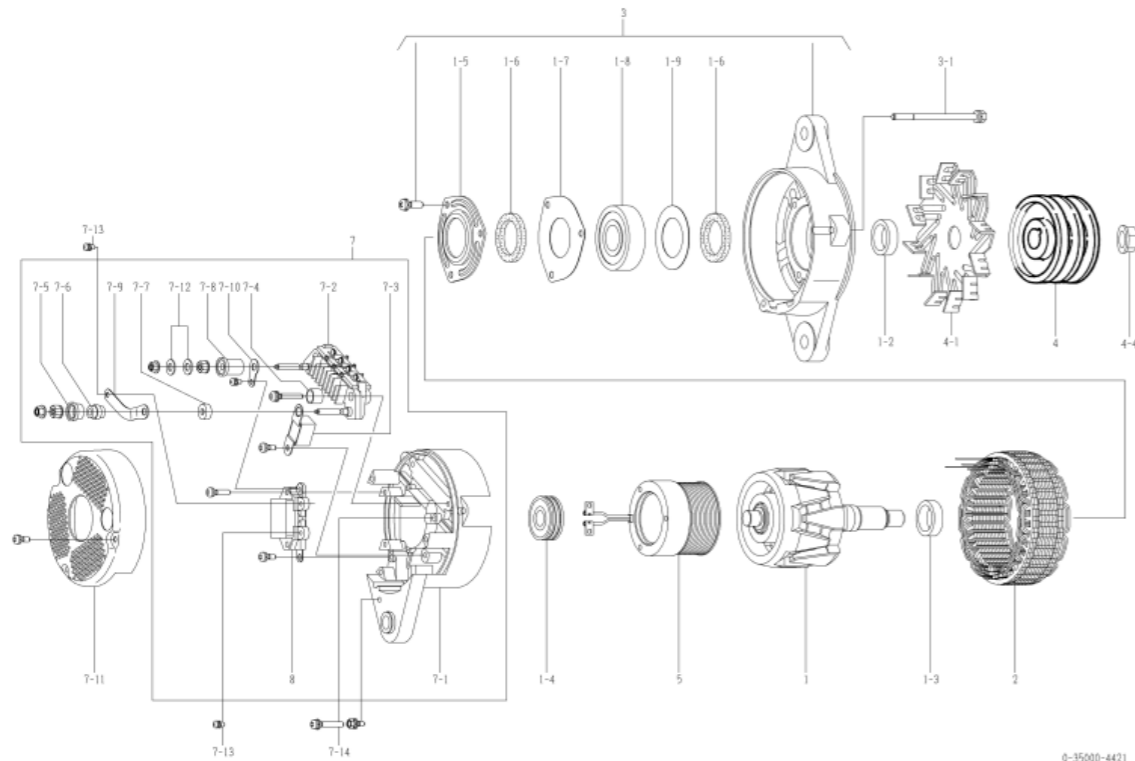


0-35000-4421 ALTERNATOR

OEM CUSTOMER	KOMATSU	OEM PARTS NUMBER	600-825-6521
NOMINAL OUT PUT	24V 60A	SUPPLY TERM	10.01~
WEIGHT	11kg	REGULATOR	BUILT-IN
ENGINE MODEL	SA6D155		
VEHICLE	D355A-2		
DESIGN RECORD	4420 → 4421 ROTOR ASSY, COLLAR, STATOR ASSY, F. BRACKET ASSY, PULLEY, PULLEY NUT, FIELD COIL CO, R. BRACKET, COVER CHANGED		
NOTE	<p>13 TYPE V BELT DOUBLE PEAKS COLD RESISTANCE CLOCKWISE ROTATION F. BRACKET ASSY AND REAR BEARING ARE DIFFERENT FROM 0-35000-44110. OLD MODEL IS 0-35000-4420. HOWEVER, SUCH COMPONENTS ARE NOT COMPATIBLE AS ROTOR ASSY, COLLAR, STATOR ASSY, FRONT BRACKET ASSY, PULLEY, PULLEY NUT, FIELD COIL CO, REAR BRACKET AND COVER. 0-35000-4420, 4421 SHOULD USE THEIR OWN UNIQUE PARTS. HOW TO IDENTIFY THE OLD / NEW PART NUMBER OF ALTERNATOR ASSY : OLD MODEL USES PLAIN WASHER, SPRING WASHER AND NUT TO FIX PULLEY. NEW MODEL USES FLANGE NUT TO FIX PULLEY.</p>		

0-35000-4421 ALTERNATOR (MAKER PART NO 600-825-6521)

No	Parts Number	Maker Parts No	Description	Qty	List Price	Note
1	0-35100-0418		ROTOR ASSY	1		
1-2	1-33923-0240		COLLAR	1		
1-3	0-35923-0160		COLLAR	1		
1-4	0-09201-1130		BALL BEARING	1		REAR
1-5	0-35926-0070		RETAINER	1		
1-6	0-35951-0060		PACKING	2		
1-7	0-35926-0090		RETAINER	1		
1-8	0-09201-1460		BALL BEARING	1		FRONT
1-9	1-33926-0730		RETAINER	1		
2	0-35200-0528		STATOR ASSY	1		
3	0-35300-0470		F.BRACKET ASSY	1		INCLUDING 1-5~1-9
3-1	0-0275-06802		BOLT	3		THROUGH BOLT
4	0-35411-2474		PULLEY	1		
4-1	0-35421-0240		FAN	1		
4-4	0-09006-0730		NUT	1		
5	0-35120-0528		FIELD COIL CO	1		
7	0-35700-1170		R.BRACKET ASSY	1		INCLUDING 7-1~7-10, 7-12, 8
7-1	0-35710-1350		REAR BRACKET CO	1		
7-2	0-35730-0700		RECTIFIER ASSY	1		
7-3	0-09170-2501		CONDENSER	1		
7-4	0-35943-0170		INSULATE BUSH	2		
7-5	0-35943-0154		INSULATE BUSH	1		
7-6	0-35923-0134		COLLAR	1		
7-7	0-35943-0160		INSULATE BUSH	1		
7-8	0-35943-0140		INSULATE BUSH	1		
7-9	0-35784-0318		CONNECT BAR	1		
7-10	0-35784-0290		CONNECT BAR	1		
7-11	0-35761-0250		COVER	1		
7-12	0-09057-0220		WASHER	2		
7-13	0-09011-3540		SCREW	2		
7-14	0-0056-05302		SCREW	3		
8	0-35719-0201		REGULATOR ASSY	1		



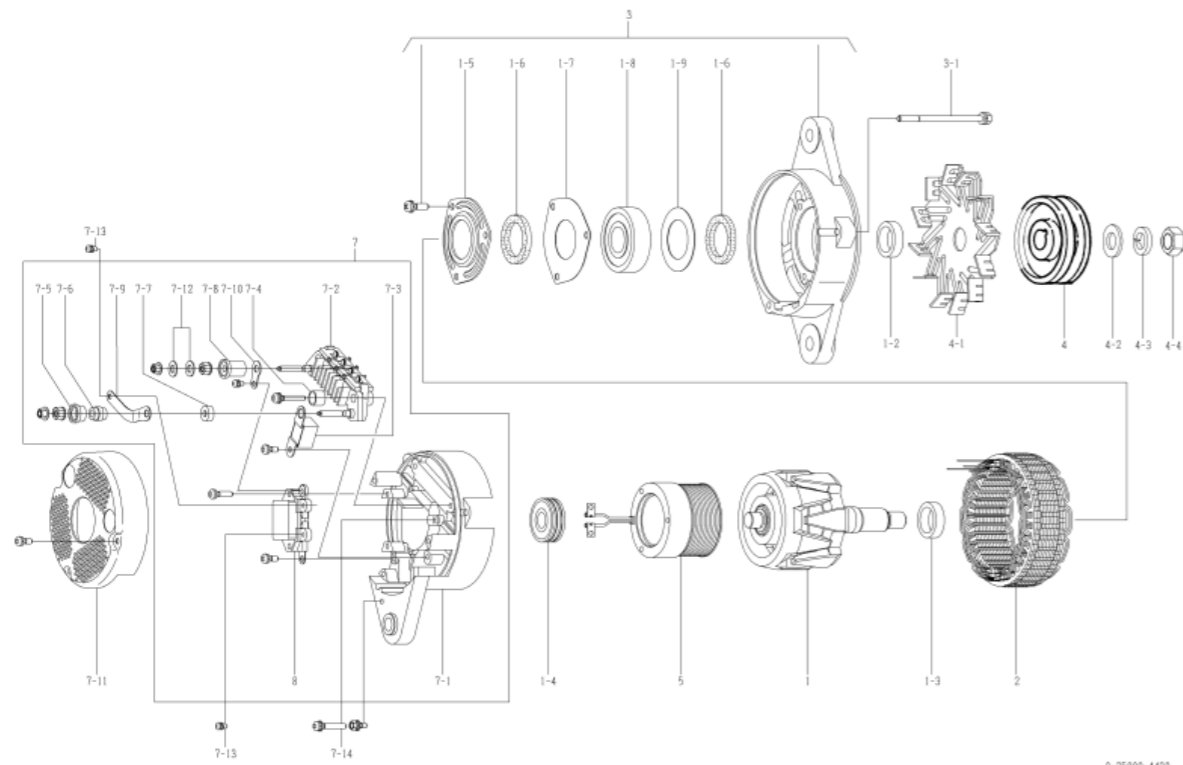
0-35000-4421

0-35000-4430 ALTERNATOR

OEM CUSTOMER	KOMATSU	OEM PARTS NUMBER	600-825-6530
NOMINAL OUT PUT	24V 60A	SUPPLY TERM	99.09~
WEIGHT	11kg	REGULATOR	BUILT-IN
ENGINE MODEL	SA6D140-1B, OTHERS		
VEHICLE	HS600S-2, OTHERS		
DESIGN RECORD			
NOTE	<p>17 TYPE V BELT SINGLE PEAK COUNTERCLOCKWISE ROTATION PULLEY IS DIFFERENT FROM 0-35000-4220. THE LATEST MODEL IS 0-35000-4431. HOWEVER, SUCH COMPONENTS ARE NOT COMPATIBLE AS ROTOR ASSY, COLLAR, STATOR ASSY, FRONT BRACKET ASSY, PULLEY, PULLEY NUT, FIELD COIL CO, REAR BRACKET AND COVER. 0-35000-4430, 4431 SHOULD USE THEIR OWN UNIQUE PARTS. HOW TO IDENTIFY THE OLD / NEW PART NUMBER OF ALTERNATOR ASSY : OLD MODEL USES PLAIN WASHER, SPRING WASHER AND NUT TO FIX PULLEY. NEW MODEL USES FLANGE NUT TO FIX PULLEY.</p>		

0-35000-4430 ALTERNATOR (MAKER PART NO 600-825-6530)

No	Parts Number	Maker Parts No	Description	Qty	List Price	Note
1	0-35100-0300		ROTOR ASSY	1		
1-2	1-33923-0790		COLLAR	1		
1-3	0-35923-0160		COLLAR	1		
1-4	0-09201-0980		BALL BEARING	1		REAR
1-5	0-35926-0070		RETAINER	1		
1-6	0-35951-0060		PACKING	2		
1-7	0-35926-0090		RETAINER	1		
1-8	0-09201-1140		BALL BEARING	1		FRONT
1-9	1-33926-0730		RETAINER	1		
2	0-35200-0460		STATOR ASSY	1		
3	0-35300-0350		F.BRACKET ASSY	1		INCLUDING 1-5~1-9
3-1	0-0275-06802		BOLT	3		THROUGH BOLT
4	1-35411-0062		PULLEY	1		
4-1	0-35421-0230		FAN	1		
4-2	0-09057-0230		WASHER	1		
4-3	1-0335-16002		SPRING WASHER	1		
4-4	0-0280-16022		NUT	1		
5	0-35120-0290		FIELD COIL CO	1		
7	0-35700-0921		R.BRACKET ASSY	1		INCLUDING 7-1~7-10, 7-12, 8
7-1	0-35710-1010		REAR BRACKET CO	1		
7-2	0-35730-0700		RECTIFIER ASSY	1		
7-3	0-09170-2501		CONDENSER	1		
7-4	0-35943-0170		INSULATE BUSH	2		
7-5	0-35943-0150		INSULATE BUSH	1		
7-6	0-35923-0130		COLLAR	1		
7-7	0-35943-0160		INSULATE BUSH	1		
7-8	0-35943-0140		INSULATE BUSH	1		
7-9	0-35784-0210		CONNECT BAR	1		
7-10	0-35784-0290		CONNECT BAR	1		
7-11	0-35761-0250		COVER	1		
7-12	0-09057-0220		WASHER	2		
7-13	0-09011-3540		SCREW	2		
7-14	0-0056-05302		SCREW	3		
8	0-35719-0211		REGULATOR ASSY	1		

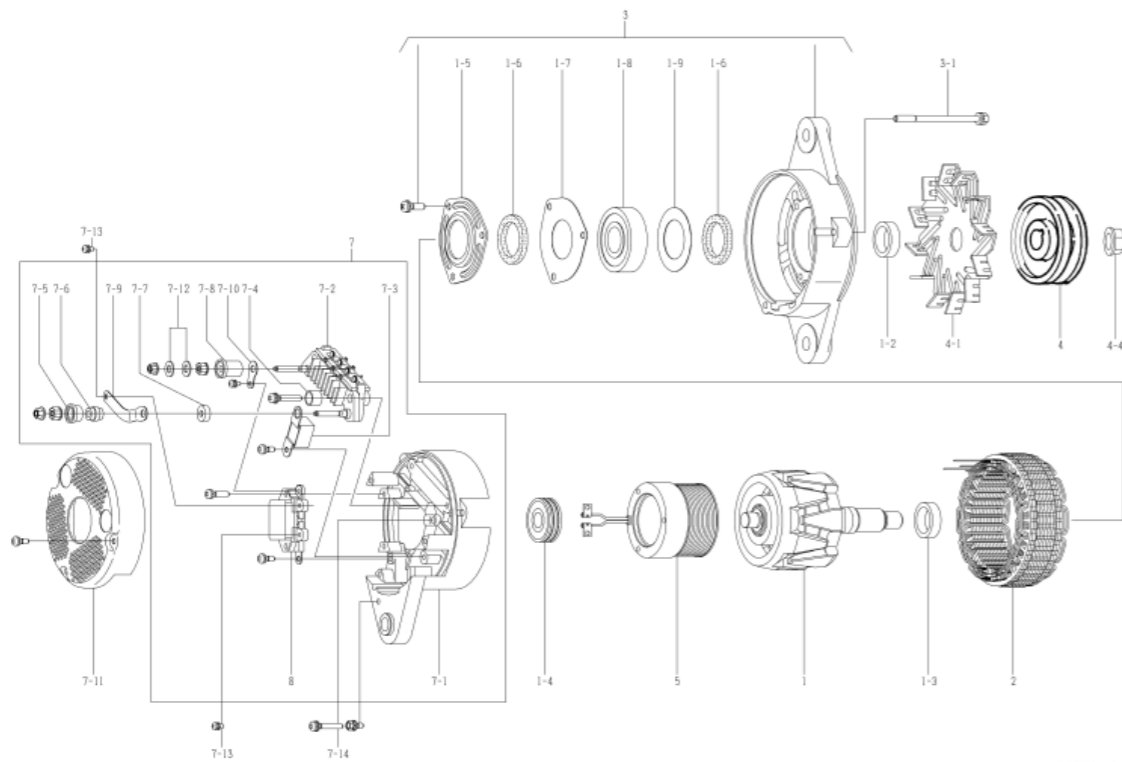


0-35000-4431 ALTERNATOR

OEM CUSTOMER	KOMATSU	OEM PARTS NUMBER	600-825-6531
NOMINAL OUT PUT	24V 60A	SUPPLY TERM	10.01~
WEIGHT	11kg	REGULATOR	BUILT-IN
ENGINE MODEL	SA6D140-1B, OTHERS		
VEHICLE	HS600S-2, OTHERS		
DESIGN RECORD	4430 → 4431	ROTOR ASSY, COLLAR, STATOR ASSY, F. BRACKET ASSY, PULLEY, PULLEY NUT, FIELD COIL CO, R. BRACKET, COVER CHANGED	
NOTE	<p>17 TYPE V BELT SINGLE PEAK COUNTERCLOCKWISE ROTATION PULLEY IS DIFFERENT FROM 0-35000-4221. OLD MODEL IS 0-35000-4221. HOWEVER, SUCH COMPONENTS ARE NOT COMPATIBLE AS ROTOR ASSY, COLLAR, STATOR ASSY, FRONT BRACKET ASSY, PULLEY, PULLEY NUT, FIELD COIL CO, REAR BRACKET AND COVER. 0-35000-4430, 4431 SHOULD USE THEIR OWN UNIQUE PARTS. HOW TO IDENTIFY THE OLD / NEW PART NUMBER OF ALTERNATOR ASSY : OLD MODEL USES PLAIN WASHER, SPRING WASHER AND NUT TO FIX PULLEY. NEW MODEL USES FLANGE NUT TO FIX PULLEY.</p>		

0-35000-4431 ALTERNATOR (MAKER PART NO 600-825-6531)

No	Parts Number	Maker Parts No	Description	Qty	List Price	Note
1	0-35100-0418		ROTOR ASSY	1		
1-2	1-33923-0240		COLLAR	1		
1-3	0-35923-0160		COLLAR	1		
1-4	0-09201-0980		BALL BEARING	1		REAR
1-5	0-35926-0070		RETAINER	1		
1-6	0-35951-0060		PACKING	2		
1-7	0-35926-0090		RETAINER	1		
1-8	0-09201-1450		BALL BEARING	1		FRONT
1-9	1-33926-0730		RETAINER	1		
2	0-35200-0528		STATOR ASSY	1		
3	0-35300-0450		F.BRACKET ASSY	1		INCLUDING 1-5~1-9
3-1	0-0275-06802		BOLT	3		THROUGH BOLT
4	0-35411-0068		PULLEY	1		
4-1	0-35421-0230		FAN	1		
4-4	0-09006-0730		NUT	1		
5	0-35120-0528		FIELD COIL CO	1		
7	0-35700-1170		R.BRACKET ASSY	1		INCLUDING 7-1~7-10, 7-12, 8
7-1	0-35710-1350		REAR BRACKET CO	1		
7-2	0-35730-0700		RECTIFIER ASSY	1		
7-3	0-09170-2501		CONDENSER	1		
7-4	0-35943-0170		INSULATE BUSH	2		
7-5	0-35943-0154		INSULATE BUSH	1		
7-6	0-35923-0134		COLLAR	1		
7-7	0-35943-0160		INSULATE BUSH	1		
7-8	0-35943-0140		INSULATE BUSH	1		
7-9	0-35784-0210		CONNECT BAR	1		
7-10	0-35784-0290		CONNECT BAR	1		
7-11	0-35761-0318		COVER	1		
7-12	0-09057-0220		WASHER	2		
7-13	0-09011-3540		SCREW	2		
7-14	0-0056-05302		SCREW	3		
8	0-35719-0201		REGULATOR ASSY	1		

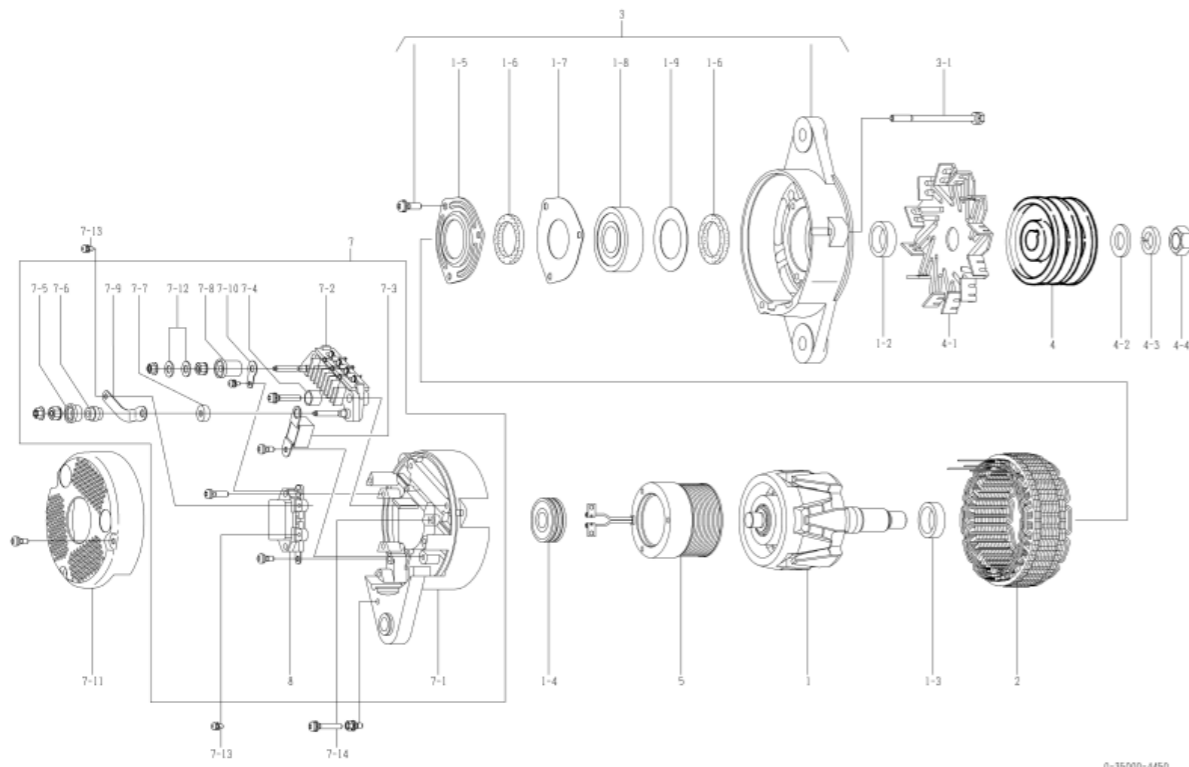


0-35000-4450 ALTERNATOR

OEM CUSTOMER	KOMATSU	OEM PARTS NUMBER	600-825-6550
NOMINAL OUT PUT	24V 60A	SUPPLY TERM	99.09~
WEIGHT	11kg	REGULATOR	BUILT-IN
ENGINE MODEL	SA6D170E-3A		
VEHICLE	D375A-5		
DESIGN RECORD			
NOTE	<p>17 TYPE V BELT DOUBLE PEAKS CLOCKWISE ROTATION PULLEY AND FAN ARE DIFFERENT FROM 0-35000-4220. THE LATEST MODEL IS 0-35000-4451. HOWEVER, SUCH COMPONENTS ARE NOT COMPATIBLE AS ROTOR ASSY, COLLAR, STATOR ASSY, FRONT BRACKET ASSY, PULLEY, PULLEY NUT, FIELD COIL CO, REAR BRACKET AND COVER. 0-35000-4450, 4451 SHOULD USE THEIR OWN UNIQUE PARTS. HOW TO IDENTIFY THE OLD / NEW PART NUMBER OF ALTERNATOR ASSY : OLD MODEL USES PLAIN WASHER, SPRING WASHER AND NUT TO FIX PULLEY. NEW MODEL USES FLANGE NUT TO FIX PULLEY.</p>		

0-35000-4450 ALTERNATOR (MAKER PART NO 600-825-6550)

No	Parts Number	Maker Parts No	Description	Qty	List Price	Note
1	0-35100-0300		ROTOR ASSY	1		
1-2	1-33923-0790		COLLAR	1		
1-3	0-35923-0160		COLLAR	1		
1-4	0-09201-0980		BALL BEARING	1		REAR
1-5	0-35926-0070		RETAINER	1		
1-6	0-35951-0060		PACKING	2		
1-7	0-35926-0090		RETAINER	1		
1-8	0-09201-1140		BALL BEARING	1		FRONT
1-9	1-33926-0730		RETAINER	1		
2	0-35200-0460		STATOR ASSY	1		
3	0-35300-0350		F.BRACKET ASSY	1		INCLUDING 1-5~1-9
3-1	0-0275-06802		BOLT	3		THROUGH BOLT
4	1-35411-0160		PULLEY	1		
4-1	0-35421-0240		FAN	1		
4-2	0-09057-0230		WASHER	1		
4-3	1-0335-16002		SPRING WASHER	1		
4-4	0-0280-16022		NUT	1		
5	0-35120-0290		FIELD COIL CO	1		
7	0-35700-0921		R.BRACKET ASSY	1		INCLUDING 7-1~7-10, 7-12, 8
7-1	0-35710-1010		REAR BRACKET CO	1		
7-2	0-35730-0700		RECTIFIER ASSY	1		
7-3	0-09170-2501		CONDENSER	1		
7-4	0-35943-0170		INSULATE BUSH	2		
7-5	0-35943-0150		INSULATE BUSH	1		
7-6	0-35923-0130		COLLAR	1		
7-7	0-35943-0160		INSULATE BUSH	1		
7-8	0-35943-0140		INSULATE BUSH	1		
7-9	0-35784-0210		CONNECT BAR	1		
7-10	0-35784-0290		CONNECT BAR	1		
7-11	0-35761-0250		COVER	1		
7-12	0-09057-0220		WASHER	2		
7-13	0-09011-3540		SCREW	2		
7-14	0-0056-05302		SCREW	3		
8	0-35719-0211		REGULATOR ASSY	1		

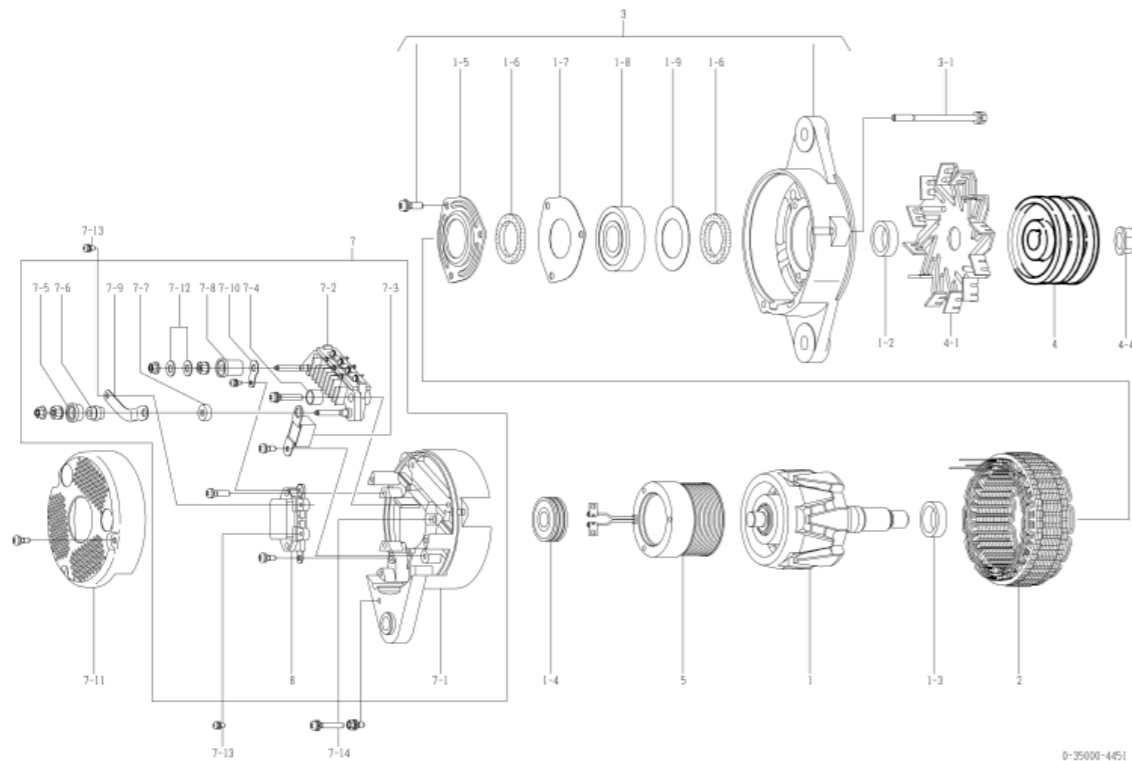


0-35000-4451 ALTERNATOR

OEM CUSTOMER	KOMATSU	OEM PARTS NUMBER	600-825-6551
NOMINAL OUT PUT	24V 60A	SUPPLY TERM	10.01~
WEIGHT	11kg	REGULATOR	BUILT-IN
ENGINE MODEL	SA6D170E-3A		
VEHICLE	D375A-5		
DESIGN RECORD	4450 → 4451 ROTOR ASSY, COLLAR, STATOR ASSY, F. BRACKET ASSY, PULLEY, PULLEY NUT, FIELD COIL CO, R. BRACKET, COVER CHANGED		
NOTE	<p>17 TYPE V BELT DOUBLE PEAKS CLOCKWISE ROTATION PULLEY AND FAN ARE DIFFERENT FROM 0-35000-4221. OLD MODEL IS 0-35000-4450. HOWEVER, SUCH COMPONENTS ARE NOT COMPATIBLE AS ROTOR ASSY, COLLAR, STATOR ASSY, FRONT BRACKET ASSY, PULLEY, PULLEY NUT, FIELD COIL CO, REAR BRACKET AND COVER. 0-35000-4450, 4451 SHOULD USE THEIR OWN UNIQUE PARTS. HOW TO IDENTIFY THE OLD / NEW PART NUMBER OF ALTERNATOR ASSY : OLD MODEL USES PLAIN WASHER, SPRING WASHER AND NUT TO FIX PULLEY. NEW MODEL USES FLANGE NUT TO FIX PULLEY.</p>		

0-35000-4451 ALTERNATOR (MAKER PART NO 600-825-6551)

No	Parts Number	Maker Parts No	Description	Qty	List Price	Note
1	0-35100-0418		ROTOR ASSY	1		
1-2	1-33923-0240		COLLAR	1		
1-3	0-35923-0160		COLLAR	1		
1-4	0-09201-0980		BALL BEARING	1		REAR
1-5	0-35926-0070		RETAINER	1		
1-6	0-35951-0060		PACKING	2		
1-7	0-35926-0090		RETAINER	1		
1-8	0-09201-1450		BALL BEARING	1		FRONT
1-9	1-33926-0730		RETAINER	1		
2	0-35200-0528		STATOR ASSY	1		
3	0-35300-0450		F.BRACKET ASSY	1		INCLUDING 1-5~1-9
3-1	0-0275-06802		BOLT	3		THROUGH BOLT
4	0-35411-0164		PULLEY	1		
4-1	0-35421-0240		FAN	1		
4-4	0-09006-0730		NUT	1		
5	0-35120-0528		FIELD COIL CO	1		
7	0-35700-1170		R.BRACKET ASSY	1		INCLUDING 7-1~7-10, 7-12, 8
7-1	0-35710-1350		REAR BRACKET CO	1		
7-2	0-35730-0700		RECTIFIER ASSY	1		
7-3	0-09170-2501		CONDENSER	1		
7-4	0-35943-0170		INSULATE BUSH	2		
7-5	0-35943-0154		INSULATE BUSH	1		
7-6	0-35923-0134		COLLAR	1		
7-7	0-35943-0160		INSULATE BUSH	1		
7-8	0-35943-0140		INSULATE BUSH	1		
7-9	0-35784-0210		CONNECT BAR	1		
7-10	0-35784-0290		CONNECT BAR	1		
7-11	0-35761-0318		COVER	1		
7-12	0-09057-0220		WASHER	2		
7-13	0-09011-3540		SCREW	2		
7-14	0-0056-05302		SCREW	3		
8	0-35719-0201		REGULATOR ASSY	1		

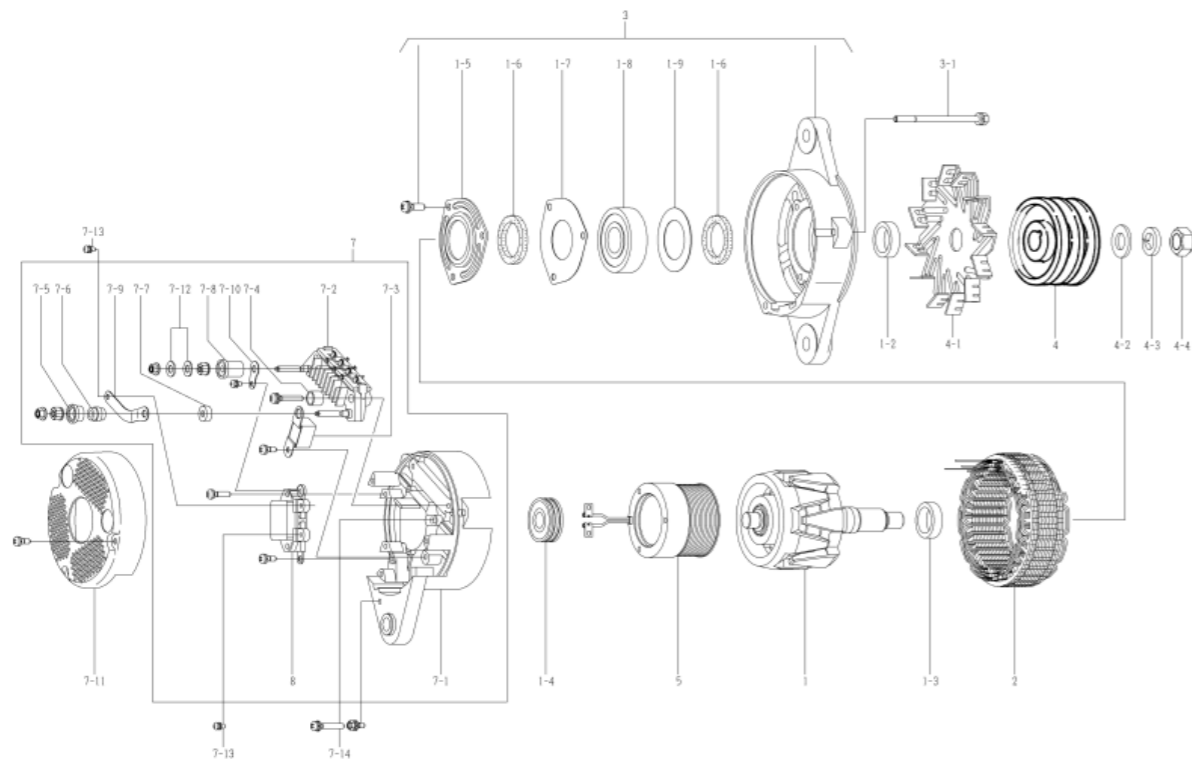


0-35000-4460 ALTERNATOR

OEM CUSTOMER	KOMATSU	OEM PARTS NUMBER	600-825-6560
NOMINAL OUT PUT	24V 60A	SUPPLY TERM	99.09~
WEIGHT	11kg	REGULATOR	BUILT-IN
ENGINE MODEL	S6D125E-2D		
VEHICLE	D85C-21		
DESIGN RECORD			
NOTE	<p>17 TYPE V BELT DOUBLE PEAKS COLD RESISTANCE CLOCKWISE ROTATION F. BRACKET ASSY AND REAR BEARING ARE DIFFERENT FROM 0-35000-4450. THE LATEST MODEL IS 0-35000-4461. HOWEVER, SUCH COMPONENTS ARE NOT COMPATIBLE AS ROTOR ASSY, COLLAR, STATOR ASSY, FRONT BRACKET ASSY, PULLEY, PULLEY NUT, FIELD COIL CO, REAR BRACKET AND COVER. 0-35000-4460, 4461 SHOULD USE THEIR OWN UNIQUE PARTS. HOW TO IDENTIFY THE OLD / NEW PART NUMBER OF ALTERNATOR ASSY : OLD MODEL USES PLAIN WASHER, SPRING WASHER AND NUT TO FIX PULLEY. NEW MODEL USES FLANGE NUT TO FIX PULLEY.</p>		

0-35000-4460 ALTERNATOR (MAKER PART NO 600-825-6560)

No	Parts Number	Maker Parts No	Description	Qty	List Price	Note
1	0-35100-0300		ROTOR ASSY	1		
1-2	1-33923-0790		COLLAR	1		
1-3	0-35923-0160		COLLAR	1		
1-4	0-09201-1130		BALL BEARING	1		REAR
1-5	0-35926-0070		RETAINER	1		
1-6	0-35951-0060		PACKING	2		
1-7	0-35926-0090		RETAINER	1		
1-8	0-09201-1160		BALL BEARING	1		FRONT
1-9	1-33926-0730		RETAINER	1		
2	0-35200-0460		STATOR ASSY	1		
3	0-35300-0380		F.BRACKET ASSY	1		INCLUDING 1-5~1-9
3-1	0-0275-06802		BOLT	3		THROUGH BOLT
4	1-35411-0160		PULLEY	1		
4-1	0-35421-0240		FAN	1		
4-2	0-09057-0230		WASHER	1		
4-3	1-0335-16002		SPRING WASHER	1		
4-4	0-0280-16022		NUT	1		
5	0-35120-0290		FIELD COIL CO	1		
7	0-35700-0921		R.BRACKET ASSY	1		INCLUDING 7-1~7-10, 7-12, 8
7-1	0-35710-1010		REAR BRACKET CO	1		
7-2	0-35730-0700		RECTIFIER ASSY	1		
7-3	0-09170-2501		CONDENSER	1		
7-4	0-35943-0170		INSULATE BUSH	2		
7-5	0-35943-0150		INSULATE BUSH	1		
7-6	0-35923-0130		COLLAR	1		
7-7	0-35943-0160		INSULATE BUSH	1		
7-8	0-35943-0140		INSULATE BUSH	1		
7-9	0-35784-0210		CONNECT BAR	1		
7-10	0-35784-0290		CONNECT BAR	1		
7-11	0-35761-0250		COVER	1		
7-12	0-09057-0220		WASHER	2		
7-13	0-09011-3540		SCREW	2		
7-14	0-0056-05302		SCREW	3		
8	0-35719-0211		REGULATOR ASSY	1		

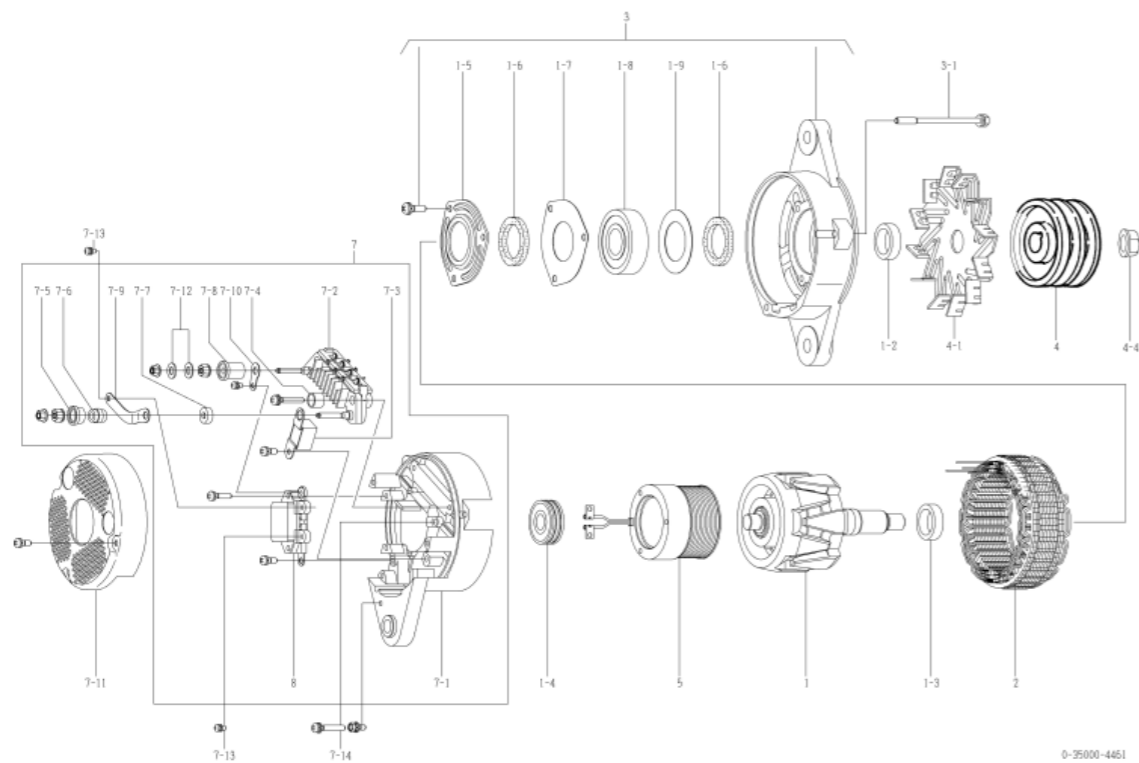


0-35000-4461 ALTERNATOR

OEM CUSTOMER	KOMATSU	OEM PARTS NUMBER	600-825-6561
NOMINAL OUT PUT	24V 60A	SUPPLY TERM	10.01~
WEIGHT	11kg	REGULATOR	BUILT-IN
ENGINE MODEL	S6D125E-2D		
VEHICLE	D85C-21		
DESIGN RECORD	4460 → 4461	ROTOR ASSY, COLLAR, STATOR ASSY, F. BRACKET ASSY, PULLEY, PULLEY NUT, FIELD COIL CO, R. BRACKET, COVER CHANGED	
NOTE	<p>17 TYPE V BELT DOUBLE PEAKS COLD RESISTANCE CLOCKWISE ROTATION F. BRACKET ASSY AND REAR BEARING ARE DIFFERENT FROM 0-35000-4451. OLD MODEL IS 0-35000-4460. HOWEVER, SUCH COMPONENTS ARE NOT COMPATIBLE AS ROTOR ASSY, COLLAR, STATOR ASSY, FRONT BRACKET ASSY, PULLEY, PULLEY NUT, FIELD COIL CO, REAR BRACKET AND COVER. 0-35000-4460, 4461 SHOULD USE THEIR OWN UNIQUE PARTS. HOW TO IDENTIFY THE OLD / NEW PART NUMBER OF ALTERNATOR ASSY : OLD MODEL USES PLAIN WASHER, SPRING WASHER AND NUT TO FIX PULLEY. NEW MODEL USES FLANGE NUT TO FIX PULLEY.</p>		

0-35000-4461 ALTERNATOR (MAKER PART NO 600-825-6561)

No	Parts Number	Maker Parts No	Description	Qty	List Price	Note
1	0-35100-0418		ROTOR ASSY	1		
1-2	1-33923-0240		COLLAR	1		
1-3	0-35923-0160		COLLAR	1		
1-4	0-09201-1130		BALL BEARING	1		REAR
1-5	0-35926-0070		RETAINER	1		
1-6	0-35951-0060		PACKING	2		
1-7	0-35926-0090		RETAINER	1		
1-8	0-09201-1460		BALL BEARING	1		FRONT
1-9	1-33926-0730		RETAINER	1		
2	0-35200-0528		STATOR ASSY	1		
3	0-35300-0470		F.BRACKET ASSY	1		INCLUDING 1-5~1-9
3-1	0-0275-06802		BOLT	3		THROUGH BOLT
4	0-35411-0164		PULLEY	1		
4-1	0-35421-0240		FAN	1		
4-4	0-09006-0730		NUT	1		
5	0-35120-0528		FIELD COIL CO	1		
7	0-35700-1170		R.BRACKET ASSY	1		INCLUDING 7-1~7-10, 7-12, 8
7-1	0-35710-1350		REAR BRACKET CO	1		
7-2	0-35730-0700		RECTIFIER ASSY	1		
7-3	0-09170-2501		CONDENSER	1		
7-4	0-35943-0170		INSULATE BUSH	2		
7-5	0-35943-0154		INSULATE BUSH	1		
7-6	0-35923-0134		COLLAR	1		
7-7	0-35943-0160		INSULATE BUSH	1		
7-8	0-35943-0140		INSULATE BUSH	1		
7-9	0-35784-0210		CONNECT BAR	1		
7-10	0-35784-0290		CONNECT BAR	1		
7-11	0-35761-0318		COVER	1		
7-12	0-09057-0220		WASHER	2		
7-13	0-09011-3540		SCREW	2		
7-14	0-0056-05302		SCREW	3		
8	0-35719-0201		REGULATOR ASSY	1		

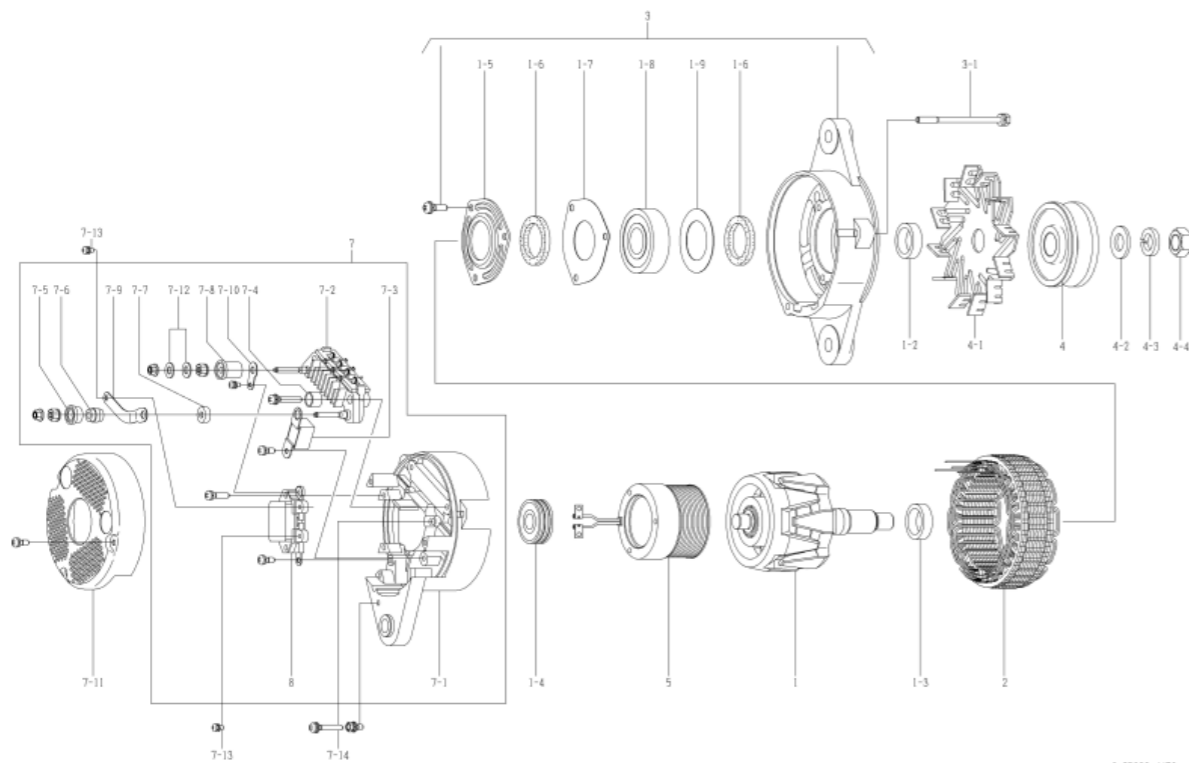


0-35000-4470 ALTERNATOR

OEM CUSTOMER	KOMATSU	OEM PARTS NUMBER	600-825-6570
NOMINAL OUT PUT	24V 60A	SUPPLY TERM	99.09~
WEIGHT	11kg	REGULATOR	BUILT-IN
ENGINE MODEL	SA6D170		
VEHICLE	WA600-1		
DESIGN RECORD			
NOTE	<p>19 TYPE V BELT SINGLE PEAK COLD RESISTANCE CLOCKWISE ROTATION PULLEY IS DIFFERENT FROM 0-35000-4360. THE LATEST MODEL IS 0-35000-4471. HOWEVER, SUCH COMPONENTS ARE NOT COMPATIBLE AS ROTOR ASSY, COLLAR, STATOR ASSY, FRONT BRACKET ASSY, PULLEY, PULLEY NUT, FIELD COIL CO, REAR BRACKET AND COVER. 0-35000-4470, 4471 SHOULD USE THEIR OWN UNIQUE PARTS. HOW TO IDENTIFY THE OLD / NEW PART NUMBER OF ALTERNATOR ASSY : OLD MODEL USES PLAIN WASHER, SPRING WASHER AND NUT TO FIX PULLEY. NEW MODEL USES FLANGE NUT TO FIX PULLEY.</p>		

0-35000-4470 ALTERNATOR (MAKER PART NO 600-825-6570)

No	Parts Number	Maker Parts No	Description	Qty	List Price	Note
1	0-35100-0300		ROTOR ASSY	1		
1-2	1-33923-0790		COLLAR	1		
1-3	0-35923-0160		COLLAR	1		
1-4	0909201-1130		BALL BEARING	1		REAR
1-5	0-35926-0070		RETAINER	1		
1-6	0-35951-0060		PACKING	2		
1-7	0-35926-0090		RETAINER	1		
1-8	0-09201-1160		BALL BEARING	1		FRONT
1-9	1-33926-0730		RETAINER	1		
2	0-35200-0460		STATOR ASSY	1		
3	0-35300-0380		F.BRACKET ASSY	1		INCLUDING 1-5~1-9
3-1	0-0275-06802		BOLT	3		THROUGH BOLT
4	0-35411-1000		PULLEY	1		
4-1	0-35421-0240		FAN	1		
4-2	0-09057-0230		WASHER	1		
4-3	1-0335-16002		SPRING WASHER	1		
4-4	0-0280-16022		NUT	1		
5	0-35120-0290		FIELD COIL CO	1		
7	0-35700-0921		R.BRACKET ASSY	1		INCLUDING 7-1~7-10, 7-12, 8
7-1	0-35710-1010		REAR BRACKET CO	1		
7-2	0-35730-0700		RECTIFIER ASSY	1		
7-3	0-09170-2501		CONDENSER	1		
7-4	0-35943-0170		INSULATE BUSH	2		
7-5	0-35943-0150		INSULATE BUSH	1		
7-6	0-35923-0130		COLLAR	1		
7-7	0-35943-0160		INSULATE BUSH	1		
7-8	0-35943-0140		INSULATE BUSH	1		
7-9	0-35784-0210		CONNECT BAR	1		
7-10	0-35784-0290		CONNECT BAR	1		
7-11	0-35761-0250		COVER	1		
7-12	0-09057-0220		WASHER	2		
7-13	0-09011-3540		SCREW	2		
7-14	0-0056-05302		SCREW	3		
8	0-35719-0211		REGULATOR ASSY	1		

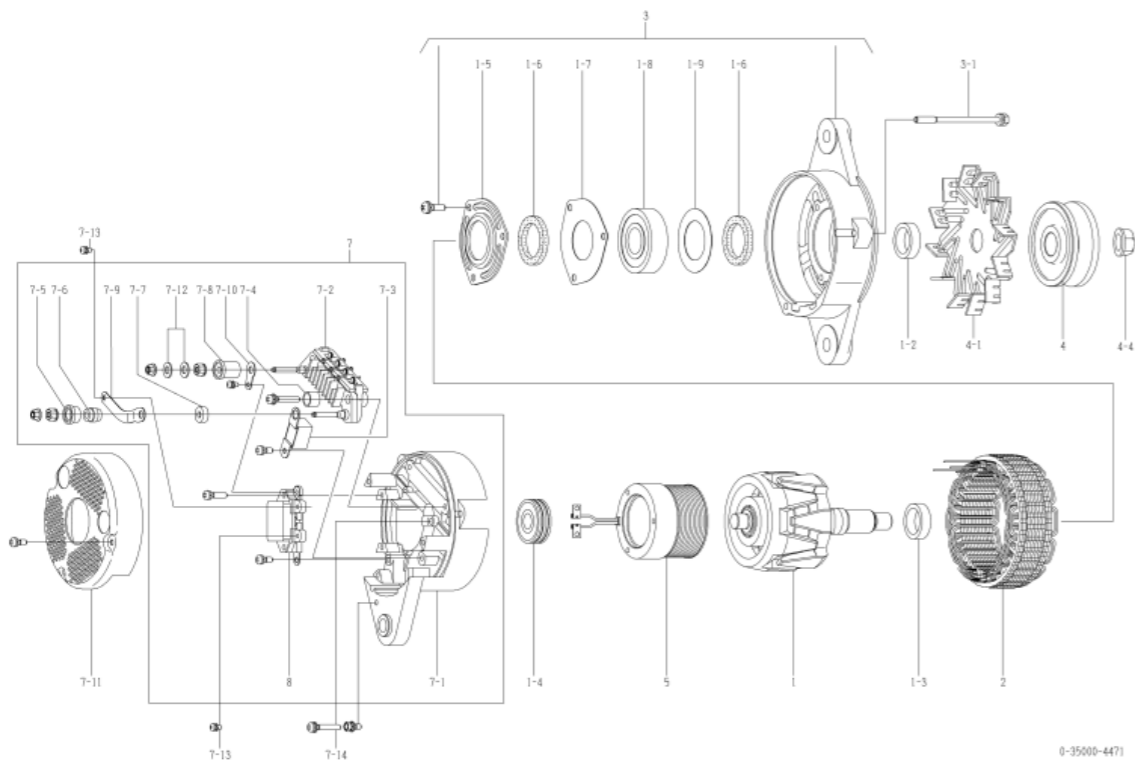


0-35000-4471 ALTERNATOR

OEM CUSTOMER	KOMATSU	OEM PARTS NUMBER	600-825-6571
NOMINAL OUT PUT	24V 60A	SUPPLY TERM	12.02~
WEIGHT	11kg	REGULATOR	BUILT-IN
ENGINE MODEL	SA6D170		
VEHICLE	WA600-1		
DESIGN RECORD	4470 → 4471 ROTOR ASSY, COLLAR, STATOR ASSY, F. BRACKET ASSY, PULLEY, PULLEY NUT, FIELD COIL CO, R. BRACKET, COVER CHANGED		
NOTE	<p>19 TYPE V BELT SINGLE PEAK COLD RESISTANCE CLOCKWISE ROTATION PULLEY IS DIFFERENT FROM 0-35000-4361. OLD MODEL IS 0-35000-4470. HOWEVER, SUCH COMPONENTS ARE NOT COMPATIBLE AS ROTOR ASSY, COLLAR, STATOR ASSY, FRONT BRACKET ASSY, PULLEY, PULLEY NUT, FIELD COIL CO, REAR BRACKET AND COVER. 0-35000-4470, 4471 SHOULD USE THEIR OWN UNIQUE PARTS. HOW TO IDENTIFY THE OLD / NEW PART NUMBER OF ALTERNATOR ASSY : OLD MODEL USES PLAIN WASHER, SPRING WASHER AND NUT TO FIX PULLEY. NEW MODEL USES FLANGE NUT TO FIX PULLEY.</p>		

0-35000-4471 ALTERNATOR (MAKER PART NO 600-825-6571)

No	Parts Number	Maker Parts No	Description	Qty	List Price	Note
1	0-35100-0418		ROTOR ASSY	1		
1-2	1-33923-0240		COLLAR	1		
1-3	0-35923-0160		COLLAR	1		
1-4	0-09201-1130		BALL BEARING	1		REAR
1-5	0-35926-0070		RETAINER	1		
1-6	0-35951-0060		PACKING	2		
1-7	0-35926-0090		RETAINER	1		
1-8	0-09201-1460		BALL BEARING	1		FRONT
1-9	1-33926-0730		RETAINER	1		
2	0-35200-0528		STATOR ASSY	1		
3	0-35300-0470		F.BRACKET ASSY	1		INCLUDING 1-5~1-9
3-1	0-0275-06802		BOLT	3		THROUGH BOLT
4	0-35411-1004		PULLEY	1		
4-1	0-35421-0240		FAN	1		
4-4	0-09006-0730		NUT	1		
5	0-35120-0528		FIELD COIL CO	1		
7	0-35700-1170		R.BRACKET ASSY	1		INCLUDING 7-1~7-10, 7-12, 8
7-1	0-35710-1350		REAR BRACKET CO	1		
7-2	0-35730-0700		RECTIFIER ASSY	1		
7-3	0-09170-2501		CONDENSER	1		
7-4	0-35943-0170		INSULATE BUSH	2		
7-5	0-35943-0154		INSULATE BUSH	1		
7-6	0-35923-0134		COLLAR	1		
7-7	0-35943-0160		INSULATE BUSH	1		
7-8	0-35943-0140		INSULATE BUSH	1		
7-9	0-35784-0210		CONNECT BAR	1		
7-10	0-35784-0290		CONNECT BAR	1		
7-11	0-35761-0318		COVER	1		
7-12	0-09057-0220		WASHER	2		
7-13	0-09011-3540		SCREW	2		
7-14	0-0056-05302		SCREW	3		
8	0-35719-0201		REGULATOR ASSY	1		

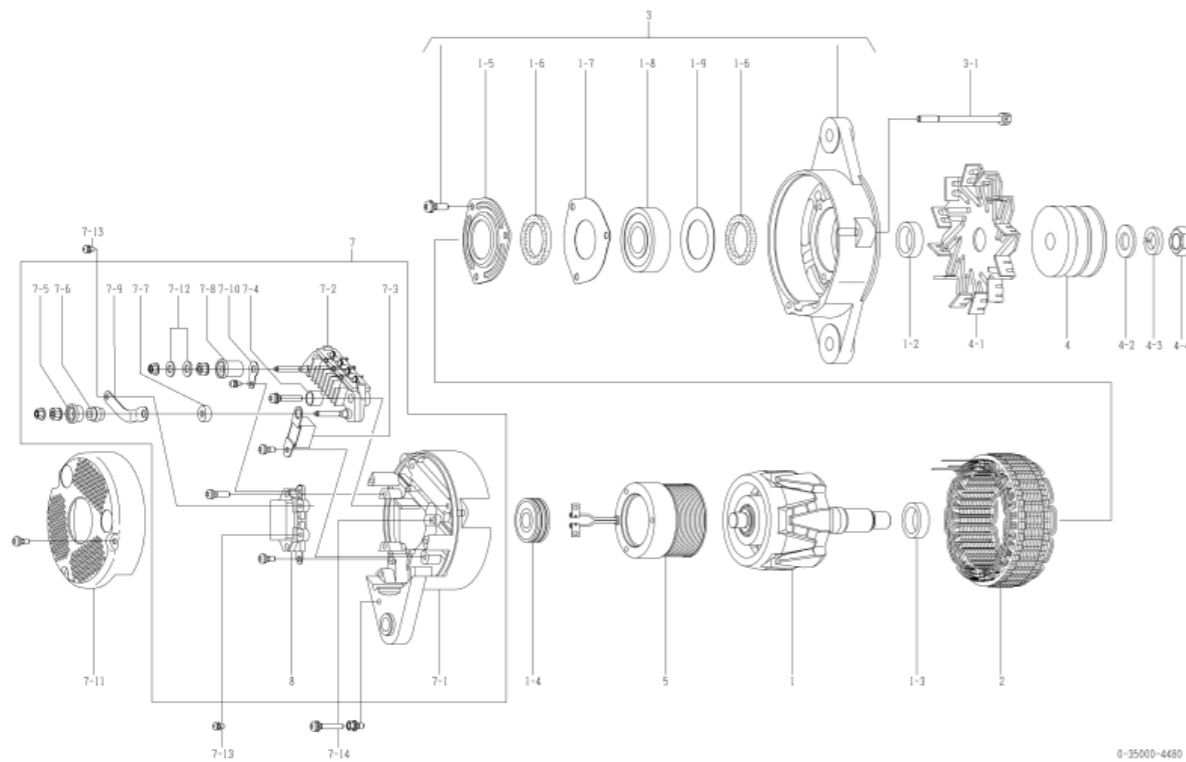


0-35000-4480 ALTERNATOR

OEM CUSTOMER	KOMATSU	OEM PARTS NUMBER	600-825-6580
NOMINAL OUT PUT	24V 60A	SUPPLY TERM	99.09~
WEIGHT	11kg	REGULATOR	BUILT-IN
ENGINE MODEL	S6D125		
VEHICLE	LW250-5		
DESIGN RECORD			
NOTE	<p>22 TYPE V BELT DOUBLE PEAKS CLOCKWISE ROTATION PULLEY AND FAN ARE DIFFERENT FROM 0-35000-4220. THE LATEST MODEL IS 0-35000-4481. HOWEVER, SUCH COMPONENTS ARE NOT COMPATIBLE AS ROTOR ASSY, COLLAR, STATOR ASSY, FRONT BRACKET ASSY, PULLEY, PULLEY NUT, FIELD COIL CO, REAR BRACKET AND COVER. 0-35000-4480, 4481 SHOULD USE THEIR OWN UNIQUE PARTS. HOW TO IDENTIFY THE OLD / NEW PART NUMBER OF ALTERNATOR ASSY : OLD MODEL USES PLAIN WASHER, SPRING WASHER AND NUT TO FIX PULLEY. NEW MODEL USES FLANGE NUT TO FIX PULLEY.</p>		

0-35000-4480 ALTERNATOR (MAKER PART NO 600-825-6580)

No	Parts Number	Maker Parts No	Description	Qty	List Price	Note
1	0-35100-0300		ROTOR ASSY	1		
1-2	1-33923-0790		COLLAR	1		
1-3	0-35923-0160		COLLAR	1		
1-4	0-09201-0980		BALL BEARING	1		REAR
1-5	0-35926-0070		RETAINER	1		
1-6	0-35951-0060		PACKING	2		
1-7	0-35926-0090		RETAINER	1		
1-8	0-09201-1140		BALL BEARING	1		FRONT
1-9	1-33926-0730		RETAINER	1		
2	0-35200-0460		STATOR ASSY	1		
3	0-35300-0350		F.BRACKET ASSY	1		INCLUDING 1-5~1-9
3-1	0-0275-06802		BOLT	3		THROUGH BOLT
4	0-35411-1010		PULLEY	1		
4-1	0-35421-0240		FAN	1		
4-2	0-09057-0230		WASHER	1		
4-3	1-0335-16002		SPRING WASHER	1		
4-4	0-0280-16022		NUT	1		
5	0-35120-0290		FIELD COIL CO	1		
7	0-35700-0921		R.BRACKET ASSY	1		INCLUDING 7-1~7-10, 7-12, 8
7-1	0-35710-1010		REAR BRACKET CO	1		
7-2	0-35730-0700		RECTIFIER ASSY	1		
7-3	0-09170-2501		CONDENSER	1		
7-4	0-35943-0170		INSULATE BUSH	2		
7-5	0-35943-0150		INSULATE BUSH	1		
7-6	0-35923-0130		COLLAR	1		
7-7	0-35943-0160		INSULATE BUSH	1		
7-8	0-35943-0140		INSULATE BUSH	1		
7-9	0-35784-0210		CONNECT BAR	1		
7-10	0-35784-0290		CONNECT BAR	1		
7-11	0-35761-0250		COVER	1		
7-12	0-09057-0220		WASHER	2		
7-13	0-09011-3540		SCREW	2		
7-14	0-0056-05302		SCREW	3		
8	0-35719-0211		REGULATOR ASSY	1		



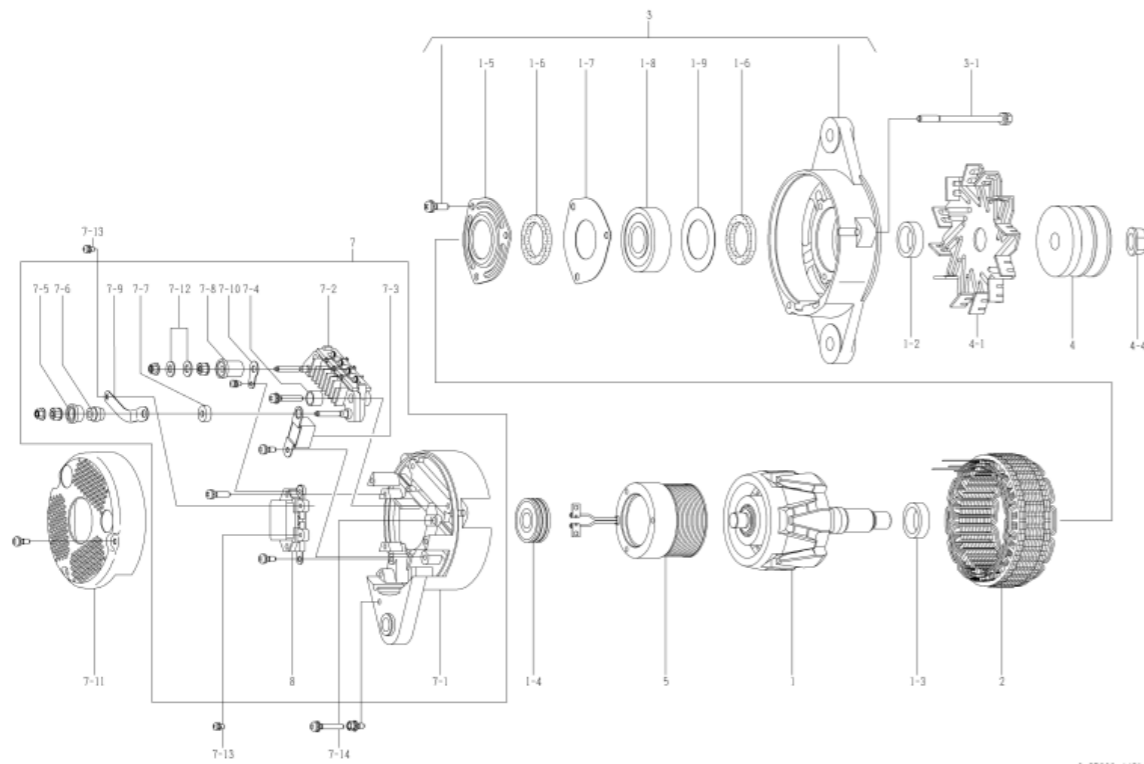
0-35000-4480

0-35000-4481 ALTERNATOR

OEM CUSTOMER	KOMATSU	OEM PARTS NUMBER	600-825-6581
NOMINAL OUT PUT	24V 60A	SUPPLY TERM	10.01~
WEIGHT	11kg	REGULATOR	BUILT-IN
ENGINE MODEL	S6D125		
VEHICLE	LW250-5		
DESIGN RECORD	4480 → 4481	ROTOR ASSY, COLLAR, STATOR ASSY, F. BRACKET ASSY, PULLEY, PULLEY NUT, FIELD COIL CO, R. BRACKET, COVER CHANGED	
NOTE	<p>22 TYPE V BELT DOUBLE PEAKS CLOCKWISE ROTATION PULLEY AND FAN ARE DIFFERENT FROM 0-35000-4221. OLD MODEL IS 0-35000-4480. HOWEVER, SUCH COMPONENTS ARE NOT COMPATIBLE AS ROTOR ASSY, COLLAR, STATOR ASSY, FRONT BRACKET ASSY, PULLEY, PULLEY NUT, FIELD COIL CO, REAR BRACKET AND COVER. 0-35000-4480, 4481 SHOULD USE THEIR OWN UNIQUE PARTS. HOW TO IDENTIFY THE OLD / NEW PART NUMBER OF ALTERNATOR ASSY : OLD MODEL USES PLAIN WASHER, SPRING WASHER AND NUT TO FIX PULLEY. NEW MODEL USES FLANGE NUT TO FIX PULLEY.</p>		

0-35000-4481 ALTERNATOR (MAKER PART NO 600-825-6581)

No	Parts Number	Maker Parts No	Description	Qty	List Price	Note
1	0-35100-0418		ROTOR ASSY	1		
1-2	1-33923-0240		COLLAR	1		
1-3	0-35923-0160		COLLAR	1		
1-4	0-09201-0980		BALL BEARING	1		REAR
1-5	0-35926-0070		RETAINER	1		
1-6	0-35951-0060		PACKING	2		
1-7	0-35926-0090		RETAINER	1		
1-8	0-09201-1450		BALL BEARING	1		FRONT
1-9	1-33926-0730		RETAINER	1		
2	0-35200-0528		STATOR ASSY	1		
3	0-35300-0450		F.BRACKET ASSY	1		INCLUDING 1-5~1-9
3-1	0-0275-06802		BOLT	3		THROUGH BOLT
4	0-35411-1014		PULLEY	1		
4-1	0-35421-0240		FAN	1		
4-4	0-09006-0730		NUT	1		
5	0-35120-0528		FIELD COIL CO	1		
7	0-35700-1170		R.BRACKET ASSY	1		INCLUDING 7-1~7-10, 7-12, 8
7-1	0-35710-1350		REAR BRACKET CO	1		
7-2	0-35730-0700		RECTIFIER ASSY	1		
7-3	0-09170-2501		CONDENSER	1		
7-4	0-35943-0170		INSULATE BUSH	2		
7-5	0-35943-0154		INSULATE BUSH	1		
7-6	0-35923-0134		COLLAR	1		
7-7	0-35943-0160		INSULATE BUSH	1		
7-8	0-35943-0140		INSULATE BUSH	1		
7-9	0-35784-0210		CONNECT BAR	1		
7-10	0-35784-0290		CONNECT BAR	1		
7-11	0-35761-0318		COVER	1		
7-12	0-09057-0220		WASHER	2		
7-13	0-09011-3540		SCREW	2		
7-14	0-0056-05302		SCREW	3		
8	0-35719-0201		REGULATOR ASSY	1		
7-14	0-0056-05302		SCREW	3		
8	0-35719-0201		REGULATOR ASSY	1		

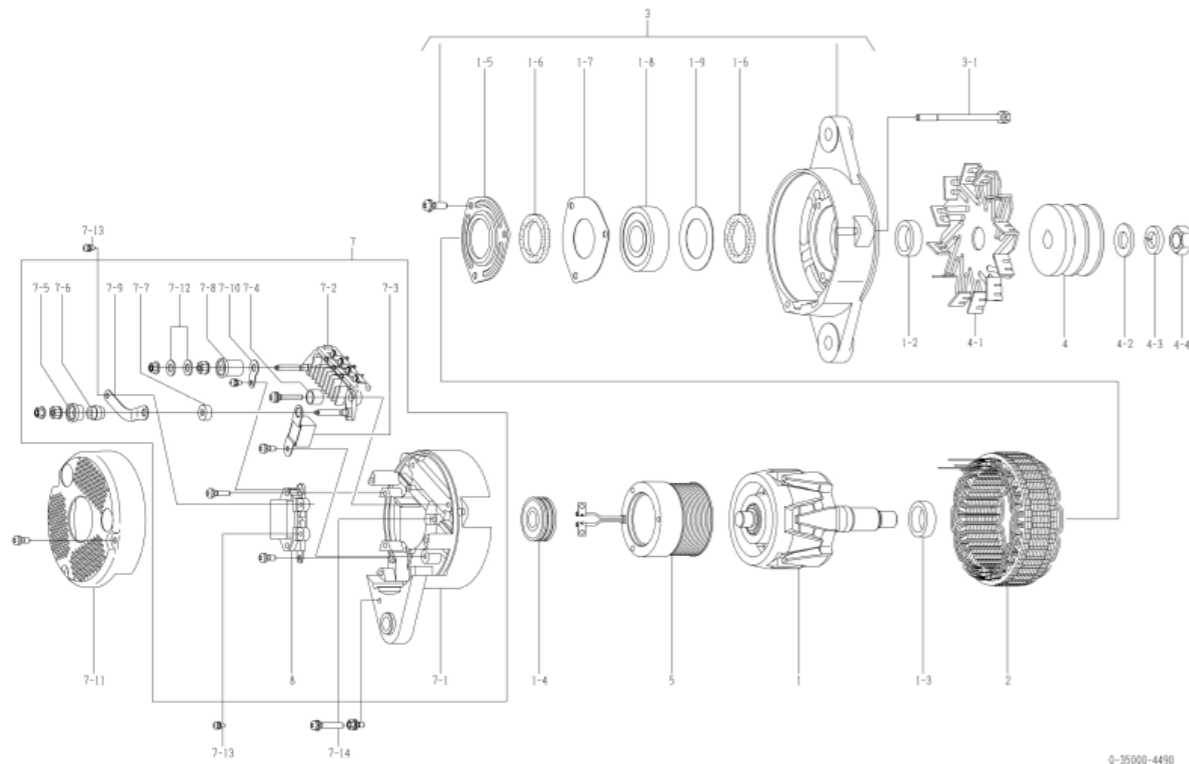


0-35000-4490 ALTERNATOR

OEM CUSTOMER	KOMATSU	OEM PARTS NUMBER	600-825-6820
NOMINAL OUT PUT	24V 60A	SUPPLY TERM	99.10~
WEIGHT	11kg	REGULATOR	BUILT-IN
ENGINE MODEL	SAA6D170E-3, OTHERS		
VEHICLE	PC1250-7, OTHERS		
DESIGN RECORD			
NOTE	<p>17 TYPE V BELT DOUBLE PEAKS (QUENCHED) CLOCKWISE ROTATION PULLEY IS DIFFERENT FROM 0-35000-4450. THE LATEST MODEL IS 0-35000-4491. HOWEVER, SUCH COMPONENTS ARE NOT COMPATIBLE AS ROTOR ASSY, COLLAR, STATOR ASSY, FRONT BRACKET ASSY, PULLEY, PULLEY NUT, FIELD COIL CO, REAR BRACKET AND COVER. 0-35000-4490, 4491 SHOULD USE THEIR OWN UNIQUE PARTS. HOW TO IDENTIFY THE OLD / NEW PART NUMBER OF ALTERNATOR ASSY : OLD MODEL USES PLAIN WASHER, SPRING WASHER AND NUT TO FIX PULLEY. NEW MODEL USES FLANGE NUT TO FIX PULLEY.</p>		

0-35000-4490 ALTERNATOR (MAKER PART NO 600-825-6820)

No	Parts Number	Maker Parts No	Description	Qty	List Price	Note
1	0-35100-0300		ROTOR ASSY	1		
1-2	1-33923-0790		COLLAR	1		
1-3	0-35923-0160		COLLAR	1		
1-4	0-09201-0980		BALL BEARING	1		REAR
1-5	0-35926-0070		RETAINER	1		
1-6	0-35951-0060		PACKING	2		
1-7	0-35926-0090		RETAINER	1		
1-8	0-09201-1140		BALL BEARING	1		FRONT
1-9	1-33926-0730		RETAINER	1		
2	0-35200-0460		STATOR ASSY	1		
3	0-35300-0350		F.BRACKET ASSY	1		INCLUDING 1-5~1-9
3-1	0-0275-06802		BOLT	3		THROUGH BOLT
4	0-35411-0200		PULLEY	1		
4-1	0-35421-0240		FAN	1		
4-2	0-09057-0230		WASHER	1		
4-3	1-0335-16002		SPRING WASHER	1		
4-4	0-0280-16022		NUT	1		
5	0-35120-0290		FIELD COIL CO	1		
7	0-35700-0921		R.BRACKET ASSY	1		INCLUDING 7-1~7-10, 7-12, 8
7-1	0-35710-1010		REAR BRACKET CO	1		
7-2	0-35730-0700		RECTIFIER ASSY	1		
7-3	0-09170-2501		CONDENSER	1		
7-4	0-35943-0170		INSULATE BUSH	2		
7-5	0-35943-0150		INSULATE BUSH	1		
7-6	0-35923-0130		COLLAR	1		
7-7	0-35943-0160		INSULATE BUSH	1		
7-8	0-35943-0140		INSULATE BUSH	1		
7-9	0-35784-0210		CONNECT BAR	1		
7-10	0-35784-0290		CONNECT BAR	1		
7-11	0-35761-0250		COVER	1		
7-12	0-09057-0220		WASHER	2		
7-13	0-09011-3540		SCREW	2		
7-14	0-0056-05302		SCREW	3		
8	0-35719-0211		REGULATOR ASSY	1		

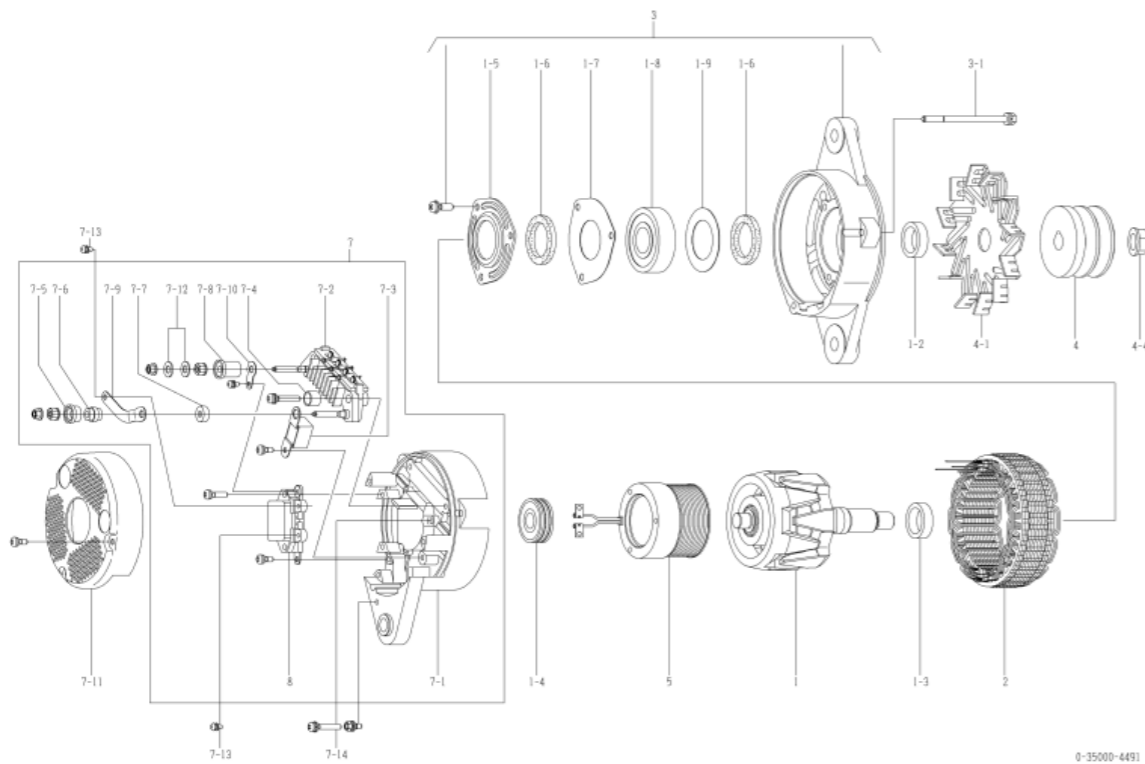


0-35000-4491 ALTERNATOR

OEM CUSTOMER	KOMATSU	OEM PARTS NUMBER	600-825-6821
NOMINAL OUT PUT	24V 60A	SUPPLY TERM	10.01~
WEIGHT	11kg	REGULATOR	BUILT-IN
ENGINE MODEL	SAA6D170E-3, OTHERS		
VEHICLE	PC1250-7, OTHERS		
DESIGN RECORD	4490 → 4491	ROTOR ASSY, COLLAR, STATOR ASSY, F. BRACKET ASSY, PULLEY, PULLEY NUT, FIELD COIL CO, R. BRACKET, COVER CHANGED	
NOTE	<p>17 TYPE V BELT DOUBLE PEAKS (QUENCHED) CLOCKWISE ROTATION PULLEY IS DIFFERENT FROM 0-35000-4451. OLD MODEL IS 0-35000-4490. HOWEVER, SUCH COMPONENTS ARE NOT COMPATIBLE AS ROTOR ASSY, COLLAR, STATOR ASSY, FRONT BRACKET ASSY, PULLEY, PULLEY NUT, FIELD COIL CO, REAR BRACKET AND COVER. 0-35000-4490, 4491 SHOULD USE THEIR OWN UNIQUE PARTS. HOW TO IDENTIFY THE OLD / NEW PART NUMBER OF ALTERNATOR ASSY : OLD MODEL USES PLAIN WASHER, SPRING WASHER AND NUT TO FIX PULLEY. NEW MODEL USES FLANGE NUT TO FIX PULLEY.</p>		

0-35000-4491 ALTERNATOR (MAKER PART NO 600-825-6821)

No	Parts Number	Maker Parts No	Description	Qty	List Price	Note
1	0-35100-0418		ROTOR ASSY	1		
1-2	1-33923-0240		COLLAR	1		
1-3	0-35923-0160		COLLAR	1		
1-4	0-09201-0980		BALL BEARING	1		REAR
1-5	0-35926-0070		RETAINER	1		
1-6	0-35951-0060		PACKING	2		
1-7	0-35926-0090		RETAINER	1		
1-8	0-09201-1450		BALL BEARING	1		FRONT
1-9	1-33926-0730		RETAINER	1		
2	0-35200-0528		STATOR ASSY	1		
3	0-35300-0450		F.BRACKET ASSY	1		INCLUDING 1-5~1-9
3-1	0-0275-06802		BOLT	3		THROUGH BOLT
4	0-35411-0204		PULLEY	1		
4-1	0-35421-0240		FAN	1		
4-4	0-09006-0730		NUT	1		
5	0-35120-0528		FIELD COIL CO	1		
7	0-35700-1170		R.BRACKET ASSY	1		INCLUDING 7-1~7-10, 7-12, 8
7-1	0-35710-1350		REAR BRACKET CO	1		
7-2	0-35730-0700		RECTIFIER ASSY	1		
7-3	0-09170-2501		CONDENSER	1		
7-4	0-35943-0170		INSULATE BUSH	2		
7-5	0-35943-0154		INSULATE BUSH	1		
7-6	0-35923-0134		COLLAR	1		
7-7	0-35943-0160		INSULATE BUSH	1		
7-8	0-35943-0140		INSULATE BUSH	1		
7-9	0-35784-0210		CONNECT BAR	1		
7-10	0-35784-0290		CONNECT BAR	1		
7-11	0-35761-0318		COVER	1		
7-12	0-09057-0220		WASHER	2		
7-13	0-09011-3540		SCREW	2		
7-14	0-0056-05302		SCREW	3		
8	0-35719-0201		REGULATOR ASSY	1		

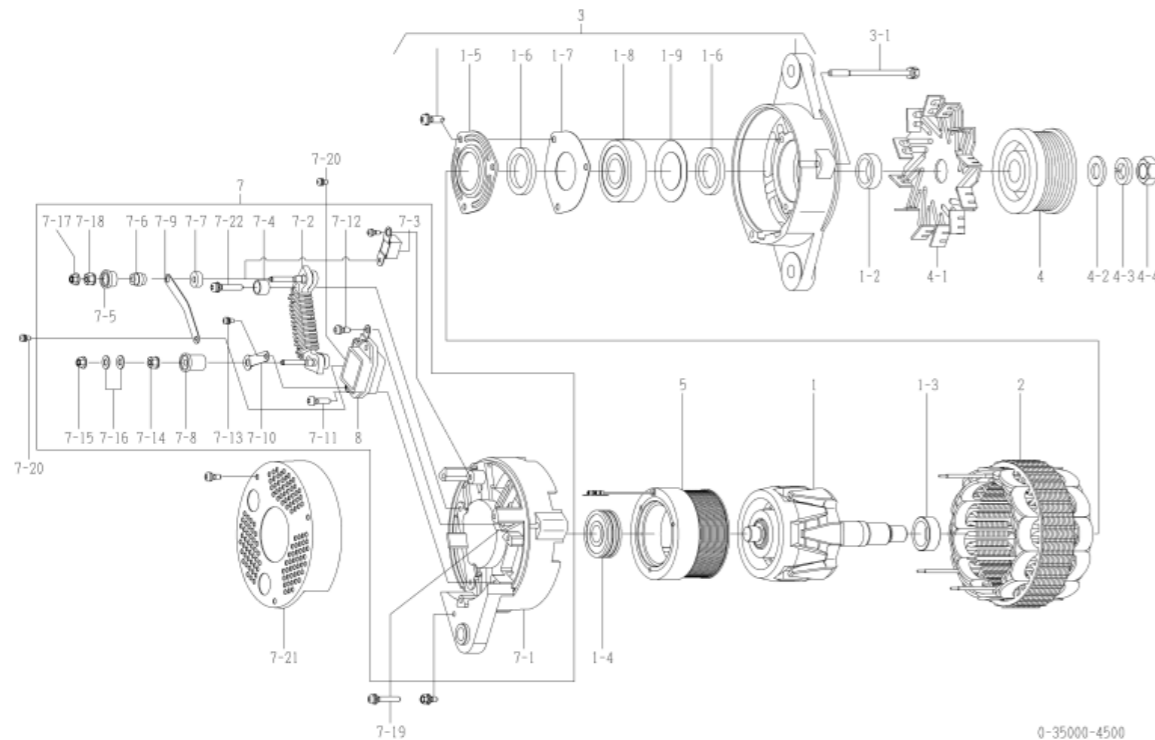


0-35000-4500 ALTERNATOR

OEM CUSTOMER	KOMATSU	OEM PARTS NUMBER	600-861-6110
NOMINAL OUT PUT	24V 60A	SUPPLY TERM	00.02~
WEIGHT	11kg	REGULATOR	BUILT-IN TYPE
ENGINE MODEL	SAA6D114E-2B, OTHERS		
VEHICLE	WA380E-5, OTHERS		
DESIGN RECORD			
NOTE	<p>K-TYPE V BELT 8 PEAKS CLOCKWISE ROTATION</p> <p>THE LATEST MODEL IS 0-35000-4501. HOWEVER, SUCH COMPONENTS ARE NOT COMPATIBLE AS ROTOR ASSY, COLLAR, STATOR ASSY, FRONT BRACKET ASSY, PULLEY, PULLEY NUT, FIELD COIL CO, REAR BRACKET AND COVER.</p> <p>0-35000-4500, 4501 SHOULD USE THEIR OWN UNIQUE PARTS.</p> <p>HOW TO IDENTIFY THE OLD / NEW PART NUMBER OF ALTERNATOR ASSY : OLD MODEL USES PLAIN WASHER, SPRING WASHER AND NUT TO FIX PULLEY. NEW MODEL USES FLANGE NUT TO FIX PULLEY.</p>		

0-35000-4500 ALTERNATOR (MAKER PART NO 600-861-6110)

No	Parts Number	Maker Parts No	Description	Qty	List Price	Note
1	0-35100-0300		ROTOR ASSY	1		
1-2	1-33923-0790		COLLAR	1		
1-3	0-35923-0160		COLLAR	1		
1-4	0-09201-0980		BALL BEARING	1		REAR
1-5	0-35926-0070		RETAINER	1		
1-6	0-35951-0060		PACKING	2		
1-7	0-35926-0090		RETAINER	1		
1-8	0-09201-1140		BALL BEARING	1		FRONT
1-9	1-33926-0730		RETAINER	1		
2	0-35200-0460		STATOR ASSY	1		
3	0-35300-0350		F.BRACKET ASSY	1		INCLUDING 1-5~1-9
3-1	0-0275-06802		BOLT	3		THROUGH BOLT
4	0-35411-0641		PULLEY	1		
4-1	0-35421-0240		FAN	1		
4-2	0-09057-0230		PLAIN WASHER	1		
4-3	1-0335-16002		SPRING WASHER	1		
4-4	0-0280-16022		NUT	1		
5	0-35120-0290		FIELD COIL CO	1		
7	0-35700-0951		R.BRACKET ASSY	1		INCLUDING 7-1~7-18, 7-22, 8
7-1	0-35710-1150		REAR BRACKET CO	1		
7-2	0-35730-0700		RECTIFIER ASSY	1		
7-3	0-09170-2501		CONDENSER	1		
7-4	0-35943-0170		INSULATE BUSH	2		
7-5	0-35943-0150		INSULATE BUSH	1		
7-6	0-35923-0130		COLLAR	1		
7-7	0-35943-0160		INSULATE BUSH	1		
7-8	0-35943-0140		INSULATE BUSH	1		
7-9	0-35784-0210		CONNECT BAR	1		
7-10	0-35784-0290		CONNECT BAR	1		
7-11	0-0055-05202		SCREW	2		
7-12	0-0055-05122		SCREW	2		
7-13	0-09011-3540		SCREW	1		
7-14	0-35902-0010		NUT	1		
7-15	0-09006-0370		NUT	1		
7-16	0-09057-0220		WASHER	2		
7-17	0-33902-0080		NUT	1		
7-18	0-33902-0090		NUT	1		
7-19	0-0056-05302		SCREW	3		
7-20	0-09011-3540		SCREW	2		
7-21	0-35761-0220		COVER	1		
7-22	0-0056-05302		SCREW	2		
8	0-35719-0211		REGULATOR ASSY	1		



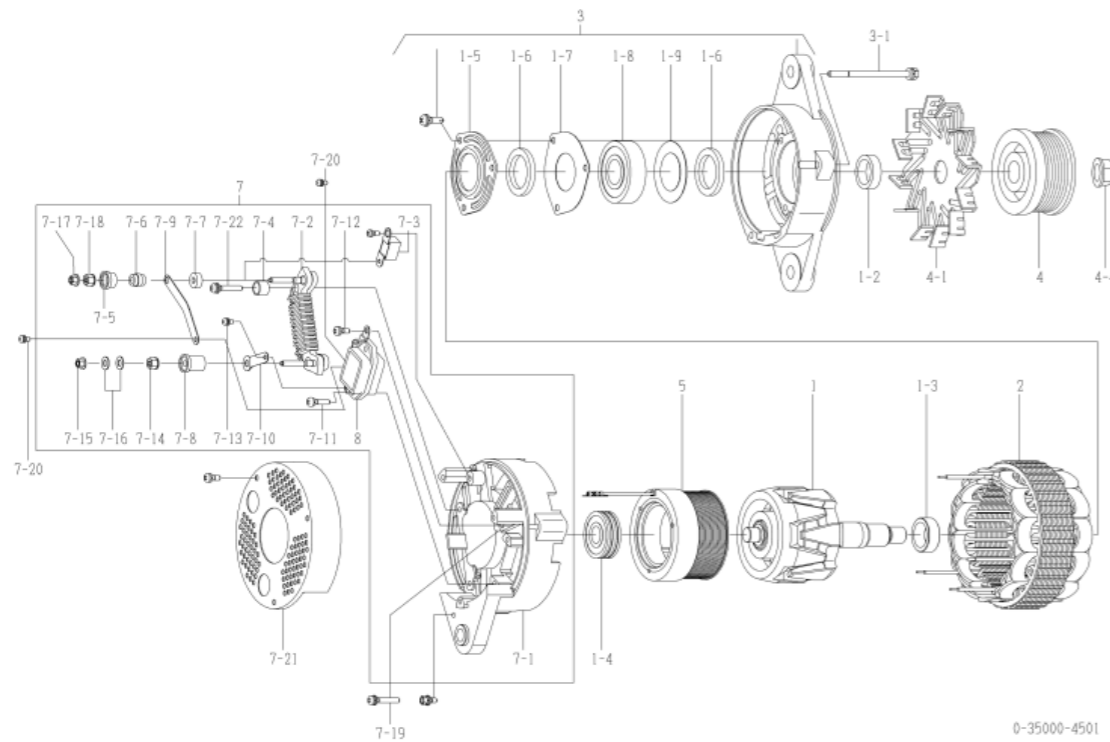
0-35000-4500

0-35000-4501 ALTERNATOR

OEM CUSTOMER	KOMATSU	OEM PARTS NUMBER	600-861-6111
NOMINAL OUT PUT	24V 60A	SUPPLY TERM	09.02~
WEIGHT	11kg	REGULATOR	BUILT-IN TYPE
ENGINE MODEL	SAA6D114E-2B, OTHERS		
VEHICLE	WA380E-5, OTHERS		
DESIGN RECORD	4500 → 4501 ROTOR ASSY, COLLAR, STATOR ASSY, F. BRACKET ASSY, PULLEY, PULLEY NUT, FIELD COIL CO, R. BRACKET, COVER CHANGED		
NOTE	<p>K-TYPE V BELT 8 PEAKS CLOCKWISE ROTATION</p> <p>OLD MODEL IS 0-35000-4500. HOWEVER, SUCH COMPONENTS ARE NOT COMPATIBLE AS ROTOR ASSY, COLLAR, STATOR ASSY, FRONT BRACKET ASSY, PULLEY, PULLEY NUT, FIELD COIL CO, REAR BRACKET AND COVER. 0-35000-4500, 4501 SHOULD USE THEIR OWN UNIQUE PARTS.</p> <p>HOW TO IDENTIFY THE OLD / NEW PART NUMBER OF ALTERNATOR ASSY : OLD MODEL USES PLAIN WASHER, SPRING WASHER AND NUT TO FIX PULLEY. NEW MODEL USES FLANGE NUT TO FIX PULLEY.</p>		

0-35000-4501 ALTERNATOR (MAKER PART NO 600-861-6111)

No	Parts Number	Maker Parts No	Description	Qty	List Price	Note
1	0-35100-0418		ROTOR ASSY	1		
1-2	0-35923-0240		COLLAR	1		
1-3	0-35923-0160		COLLAR	1		
1-4	0-09201-0980		BALL BEARING	1		REAR
1-5	0-35926-0070		RETAINER	1		
1-6	0-35951-0060		PACKING	2		
1-7	0-35926-0090		RETAINER	1		
1-8	0-09201-1450		BALL BEARING	1		FRONT
1-9	1-33926-0730		RETAINER	1		
2	0-35200-0528		STATOR ASSY	1		
3	0-35300-0450		F.BRACKET ASSY	1		INCLUDING 1-5 ~ 1-9
3-1	0-0275-06802		BOLT	3		THROUGH BOLT
4	0-35411-0648		PULLEY	1		
4-1	0-35421-0240		FAN	1		
4-4	0-09006-0730		NUT	1		
5	0-35120-0528		FIELD COIL CO	1		
7	0-35700-1140		R.BRACKET ASSY	1		INC. 7-1~7-18, 7-22, 8
7-1	0-35710-1330		REAR BRACKET CO	1		
7-2	0-35730-0700		RECTIFIER ASSY	1		
7-3	0-09170-2501		CONDENSER	1		
7-4	0-35943-0170		INSULATE BUSH	2		
7-5	0-35943-0154		INSULATE BUSH	1		
7-6	0-35923-0134		COLLAR	1		
7-7	0-35943-0160		INSULATE BUSH	1		
7-8	0-35943-0140		INSULATE BUSH	1		
7-9	0-35784-0210		CONNECT BAR	1		
7-10	0-35784-0290		CONNECT BAR	1		
7-11	0-0055-05202		SCREW	2		
7-12	0-0055-05122		SCREW	2		
7-13	0-09011-3540		SCREW	1		
7-14	0-35902-0010		NUT	1		
7-15	0-09006-0370		NUT	1		
7-16	0-09057-0220		WASHER	2		
7-17	0-33902-0080		NUT	1		
7-18	0-33902-0090		NUT	1		
7-19	0-0056-05302		SCREW	3		
7-20	0-09011-3540		SCREW	2		
7-21	0-35761-0308		COVER	1		
7-22	0-0056-05302		SCREW	2		
8	0-35719-0201		REGULATOR ASSY	1		

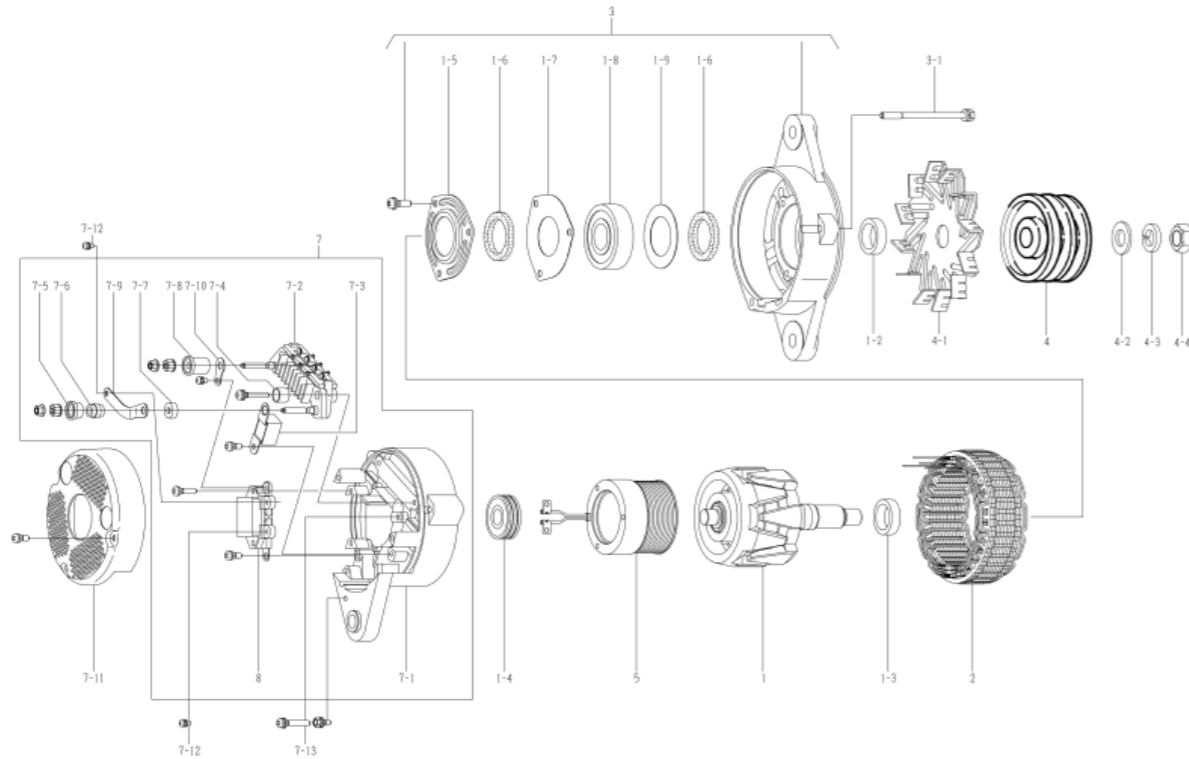


0-35000-4510 ALTERNATOR

OEM CUSTOMER	KOMATSU	OEM PARTS NUMBER	600-825-5210
NOMINAL OUT PUT	24V 50A	SUPPLY TERM	00.03~
WEIGHT	11kg	REGULATOR	BUILT-IN
ENGINE MODEL	SA6D140E-3A		
VEHICLE	WA500-AC-3		
DESIGN RECORD			
NOTE	<p>10 TYPE V BELT DOUBLE PEAKS (QUENCHED) COUNTERCLOCKWISE ROTATION PULLEY IS DIFFERENT FROM 0-35000-4031. THE LATEST MODEL IS 0-35000-4511. HOWEVER, SUCH COMPONENTS ARE NOT COMPATIBLE AS ROTOR ASSY, COLLAR, STATOR ASSY, FRONT BRACKET ASSY, PULLEY, PULLEY NUT, FIELD COIL CO, REAR BRACKET AND COVER. 0-35000-4510, 4511 SHOULD USE THEIR OWN UNIQUE PARTS. HOW TO IDENTIFY THE OLD / NEW PART NUMBER OF ALTERNATOR ASSY : OLD MODEL USES PLAIN WASHER, SPRING WASHER AND NUT TO FIX PULLEY. NEW MODEL USES FLANGE NUT TO FIX PULLEY.</p>		

0-35000-4510 ALTERNATOR (MAKER PART NO 600-825-5210)

No	Parts Number	Maker Parts No	Description	Qty	List Price	Note
1	0-35100-0300		ROTOR ASSY	1		
1-2	1-33923-0790		COLLAR	1		
1-3	0-35923-0160		COLLAR	1		
1-4	0-09201-0980		BALL BEARING	1		REAR
1-5	0-35926-0070		RETAINER	1		
1-6	0-35951-0060		PACKING	2		
1-7	0-35926-0090		RETAINER	1		
1-8	0-09201-0881		BALL BEARING	1		FRONT
1-9	1-33926-0730		RETAINER	1		
2	0-35200-0440		STATOR ASSY	1		
3	0-35300-0190		F.BRACKET ASSY	1		INCLUDING 1-5~1-9
3-1	0-0275-06802		BOLT	3		THROUGH BOLT
4	0-35411-0700		PULLEY	1		
4-1	0-35421-0050		FAN	1		
4-2	1-0330-16012		PLAIN WASHER	1		
4-3	1-0335-16002		SPRING WASHER	1		
4-4	0-0280-16022		NUT	1		
5	0-35120-0230		FIELD COIL CO	1		
7	0-35700-0822		R.BRACKET ASSY	1		INCLUDING 7-1~7-10, 8
7-1	0-35710-1010		REAR BRACKET CO	1		
7-2	0-35730-0510		RECTIFIER ASSY	1		
7-3	0-09170-2501		CONDENSER	1		
7-4	0-35943-0170		INSULATE BUSH	2		
7-5	0-35943-0150		INSULATE BUSH	1		
7-6	0-35923-0130		COLLAR	1		
7-7	0-35943-0160		INSULATE BUSH	1		
7-8	0-35943-0140		INSULATE BUSH	1		
7-9	0-35784-0210		CONNECT BAR	1		
7-10	0-35784-0290		CONNECT BAR	1		
7-11	0-35761-0250		COVER	1		
7-12	0-09011-3540		SCREW	2		
7-13	0-0056-05302		SCREW	3		
8	0-35719-0201		REGULATOR ASSY	1		

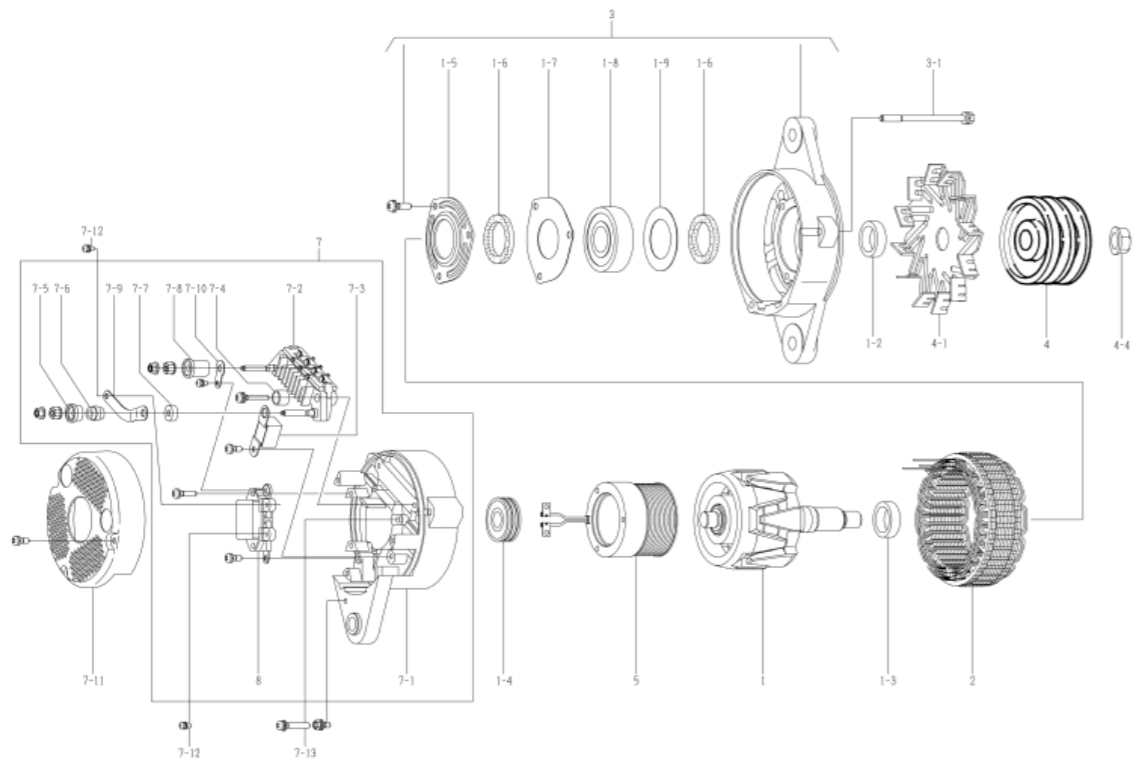


0-35000-4511 ALTERNATOR

OEM CUSTOMER	KOMATSU	OEM PARTS NUMBER	600-825-5211
NOMINAL OUT PUT	24V 50A	SUPPLY TERM	10.01~
WEIGHT	11kg	REGULATOR	BUILT-IN
ENGINE MODEL	SA6D140E-3A		
VEHICLE	WA500-AC-3		
DESIGN RECORD	4510 → 4511 ROTOR ASSY, COLLAR, STATOR ASSY, F. BRACKET ASSY, PULLEY, PULLEY NUT, FIELD COIL CO, R. BRACKET, COVER CHANGED		
NOTE	<p>10 TYPE V BELT DOUBLE PEAKS (QUENCHED) COUNTERCLOCKWISE ROTATION PULLEY IS DIFFERENT FROM 0-35000-4032. OLD MODEL IS 0-35000-4510. HOWEVER, SUCH COMPONENTS ARE NOT COMPATIBLE AS ROTOR ASSY, COLLAR, STATOR ASSY, FRONT BRACKET ASSY, PULLEY, PULLEY NUT, FIELD COIL CO, REAR BRACKET AND COVER. 0-35000-4510, 4511 SHOULD USE THEIR OWN UNIQUE PARTS. HOW TO IDENTIFY THE OLD / NEW PART NUMBER OF ALTERNATOR ASSY : OLD MODEL USES PLAIN WASHER, SPRING WASHER AND NUT TO FIX PULLEY. NEW MODEL USES FLANGE NUT TO FIX PULLEY.</p>		

0-35000-4511 ALTERNATOR (MAKER PART NO 600-825-5211)

No	Parts Number	Maker Parts No	Description	Qty	List Price	Note
1	0-35100-0418		ROTOR ASSY	1		
1-2	1-33923-0240		COLLAR	1		
1-3	0-35923-0160		COLLAR	1		
1-4	0-09201-0980		BALL BEARING	1		REAR
1-5	0-35926-0070		RETAINER	1		
1-6	0-35951-0060		PACKING	2		
1-7	0-35926-0090		RETAINER	1		
1-8	0-09201-1450		BALL BEARING	1		FRONT
1-9	1-33926-0730		RETAINER	1		
2	0-35200-0528		STATOR ASSY	1		
3	0-35300-0450		F.BRACKET ASSY	1		INCLUDING 1-5~1-9
3-1	0-0275-06802		BOLT	3		THROUGH BOLT
4	0-35411-0708		PULLEY	1		
4-1	0-35421-0050		FAN	1		
4-4	0-09006-0730		NUT	1		
5	0-35120-0528		FIELD COIL CO	1		
7	0-35700-1160		R.BRACKET ASSY	1		INCLUDING 7-1~7-10, 8
7-1	0-35710-1350		REAR BRACKET CO	1		
7-2	0-35730-0510		RECTIFIER ASSY	1		
7-3	0-09170-2501		CONDENSER	1		
7-4	0-35943-0170		INSULATE BUSH	2		
7-5	0-35943-0154		INSULATE BUSH	1		
7-6	0-35923-0134		COLLAR	1		
7-7	0-35943-0160		INSULATE BUSH	1		
7-8	0-35943-0140		INSULATE BUSH	1		
7-9	0-35784-0210		CONNECT BAR	1		
7-10	0-35784-0290		CONNECT BAR	1		
7-11	0-35761-0318		COVER	1		
7-12	0-09011-3540		SCREW	2		
7-13	0-0056-05302		SCREW	3		
8	0-35719-0201		REGULATOR ASSY	1		

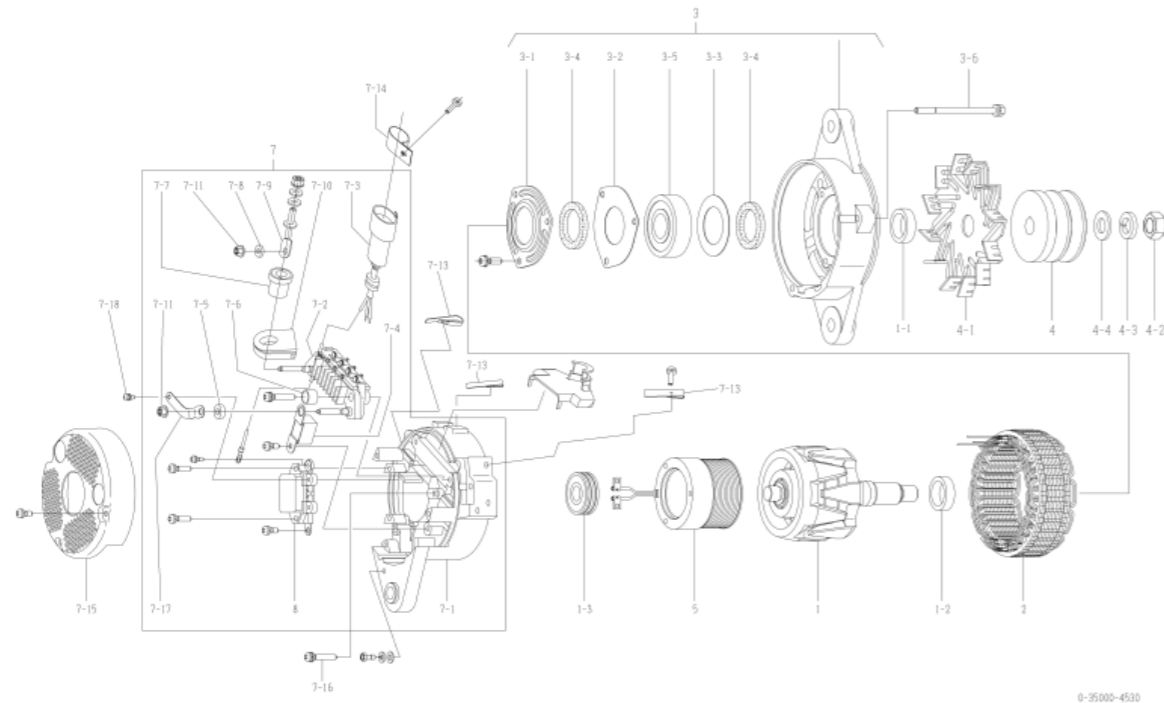


0-35000-4530 ALTERNATOR

OEM CUSTOMER	ISUZU	OEM PARTS NUMBER	1-81200626-0
NOMINAL OUT PUT	24V 50A	SUPPLY TERM	01.12~
WEIGHT	10 kg	REGULATOR	BUILT-IN
ENGINE MODEL	6HE1TMC		
VEHICLE	MARINE		
DESIGN RECORD			
NOTE	15 TYPE V BELT DOUBLE PEAKS FLOATED EARTH FOR INSULATION (MARINE TYPE) CLOCKWISE ROTATION TERMINAL ASSY IS DIFFERENT FROM 0-35000-4090		

0-35000-4530 ALTERNATOR (MAKER PART NO 1-81200626-0)

No	Parts Number	Maker Parts No	Description	Qty	List Price	Note
1	0-35100-0300	1-81211121-0	ROTOR ASSY	1		
1-1	1-33923-0790	1-81229642-0	COLLAR	1		
1-2	0-35923-0160	1-81229722-0	COLLAR	1		
1-3	0-09201-0980	1-81229723-0	BALL BEARING	1		REAR
2	0-35200-0440	1-81211122-0	STATOR ASSY	1		
3	0-35300-0221	1-81213094-0	F.BRACKET ASSY	1		INCLUDING 3-1~3-5
3-1	0-35926-0070	1-81229643-0	RETAINER	1		
3-2	0-35926-0090	8-97094161-0	RETAINER	1		
3-3	1-33926-0730	1-81229526-0	RETAINER	1		
3-4	0-35951-0060	1-81229644-0	PACKING	2		
3-5	0-09201-0881	1-81229740-0	BALL BEARING	1		FRONT
3-6	0-0275-06802	1-81229382-0	BOLT	3		THROUGH BOLT
4	1-35411-0100	1-81222055-0	PULLEY	1		
4-1	0-35421-0170	1-81223019-0	FAN	1		
4-2	0-0280-16022	1-81229474-0	NUT	1		
4-3	1-0335-16002	1-81229479-0	SPRING WASHER	1		
4-4	1-0330-16012	1-81229478-0	PLAIN WASHER	1		
5	0-35120-0230	1-81222102-0	FIELD COIL CO	1		
7	0-35700-0990	1-81214393-0	R.BRACKET ASSY	1		INCLUDING 7-1~7-11, 7-17, 8
7-1	0-35710-0970	1-81214340-0	REAR BRACKET CO	1		
7-2	0-35730-0630	1-81219117-0	RECTIFIER ASSY	1		
7-3	0-35780-0900	1-81229933-0	TERMINAL ASSY	1		GUM BUSH NOT INCLUDED
7-4	0-09170-2501	1-84132012-0	CONDENSER	1		
7-5	0-35943-0160	1-81229727-0	INSULATE BUSH	1		
7-6	0-35943-0170	1-81229728-0	INSULATE BUSH	2		
7-7	0-35943-0220	1-81229729-0	INSULATE BUSH	1		
7-8	0-35923-0170	1-81229730-0	COLLAR	1		
7-9	0-35901-0210	1-81229763-0	BOLT	1		
7-10	0-35951-0100	1-81229732-0	PACKING	1		
7-11	0-33902-0080	8-98040690-0	NUT	2		
7-13	1-33931-0060	1-81118011-0	CLIP	3		
7-14	0-35927-0010	1-81217053-0	HOLDER	1		
7-15	0-35761-0240	1-81214343-0	COVER	1		
7-16	0-0056-05302	1-81229733-0	SCREW	3		
7-17	0-35784-0240		CONNECT BAR	1		
7-18	0-09011-3540		SCREW	2		
8	0-35719-0151	1-81260015-0	REGULATOR ASSY	1		



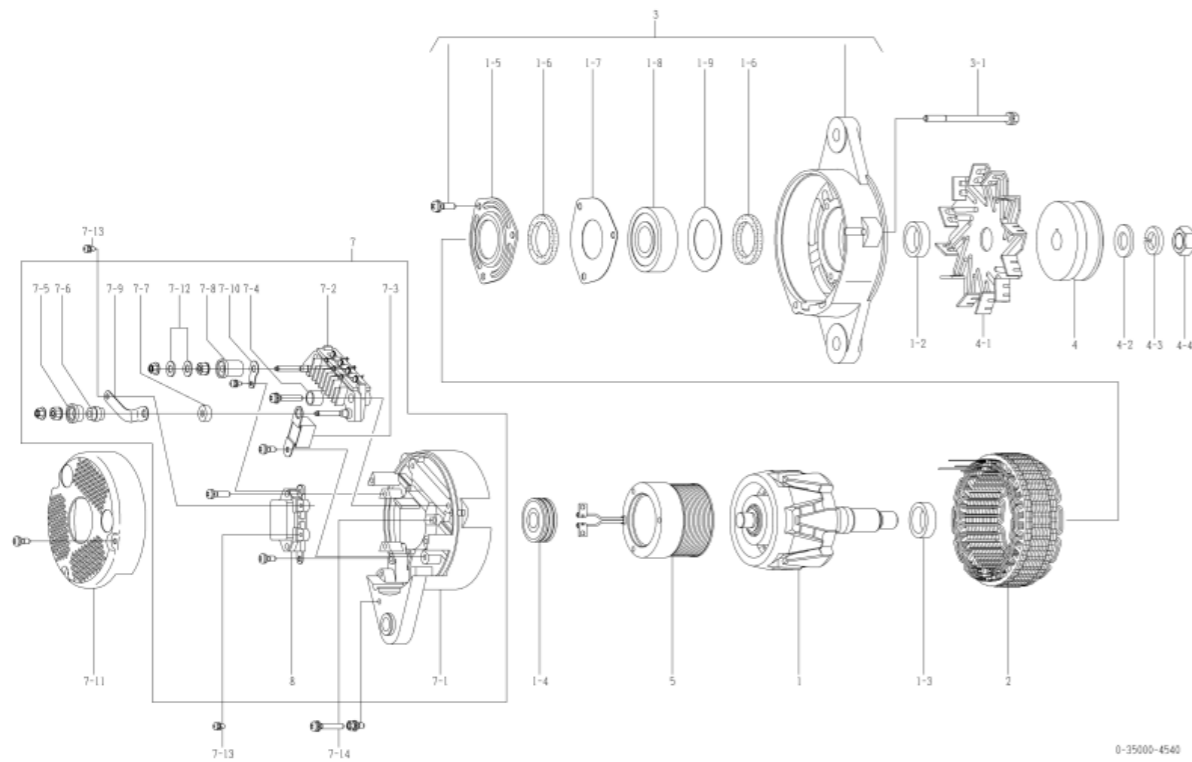
0-35000-4530

0-35000-4540 ALTERNATOR

OEM CUSTOMER	KOMATSU	OEM PARTS NUMBER	600-825-6720
NOMINAL OUT PUT	24V 60A	SUPPLY TERM	02.01~
WEIGHT	11 kg	REGULATOR	BUILT-IN
ENGINE MODEL	SAA6D170E-3C, OTHERS		
VEHICLE	WA700-3E, OTHERS		
DESIGN RECORD			
NOTE	<p>17 TYPE V BELT SINGLE PEAK (QUENCHED) CLOCKWISE ROTATION PULLEY IS DIFFERENT FROM 0-35000-4490. THE LATEST MODEL IS 0-35000-4541. HOWEVER, SUCH COMPONENTS ARE NOT COMPATIBLE AS ROTOR ASSY, COLLAR, STATOR ASSY, FRONT BRACKET ASSY, PULLEY, PULLEY NUT, FIELD COIL CO, REAR BRACKET AND COVER. 0-35000-4540, 4541 SHOULD USE THEIR OWN UNIQUE PARTS. HOW TO IDENTIFY THE OLD / NEW PART NUMBER OF ALTERNATOR ASSY : OLD MODEL USES PLAIN WASHER, SPRING WASHER AND NUT TO FIX PULLEY. NEW MODEL USES FLANGE NUT TO FIX PULLEY.</p>		

0-35000-4540 ALTERNATOR (MAKER PART NO 600-825-6720)

No	Parts Number	Maker Parts No	Description	Qty	List Price	Note
1	0-35100-0300		ROTOR ASSY	1		
1-2	1-33923-0790		COLLAR	1		
1-3	0-35923-0160		COLLAR	1		
1-4	0-09201-0980		BALL BEARING	1		REAR
1-5	0-35926-0070		RETAINER	1		
1-6	0-35951-0060		PACKING	2		
1-7	0-35926-0090		RETAINER	1		
1-8	0-09201-1140		BALL BEARING	1		FRONT
1-9	1-33926-0730		RETAINER	1		
2	0-35200-0460		STATOR ASSY	1		
3	0-35300-0350		F.BRACKET ASSY	1		INCLUDING 1-5~1-9
3-1	0-0275-06802		BOLT	3		THROUGH BOLT
4	0-35411-0210		PULLEY	1		
4-1	0-35421-0240		FAN	1		
4-2	0-09057-0230		WASHER	1		
4-3	1-0335-16002		SPRING WASHER	1		
4-4	0-0280-16022		NUT	1		
5	0-35120-0290		FIELD COIL CO	1		
7	0-35700-0921		R.BRACKET ASSY	1		INCLUDING 7-1~7-10, 7-12, 8
7-1	0-35710-1010		REAR BRACKET CO	1		
7-2	0-35730-0700		RECTIFIER ASSY	1		
7-3	0-09170-2501		CONDENSER	1		
7-4	0-35943-0170		INSULATE BUSH	2		
7-5	0-35943-0150		INSULATE BUSH	1		
7-6	0-35923-0130		COLLAR	1		
7-7	0-35943-0160		INSULATE BUSH	1		
7-8	0-35943-0140		INSULATE BUSH	1		
7-9	0-35784-0210		CONNECT BAR	1		
7-10	0-35784-0290		CONNECT BAR	1		
7-11	0-35761-0250		COVER	1		
7-12	0-09057-0220		WASHER	2		
7-13	0-09011-3540		SCREW	2		
7-14	0-0056-05302		SCREW	3		
8	0-35719-0211		REGULATOR ASSY	1		

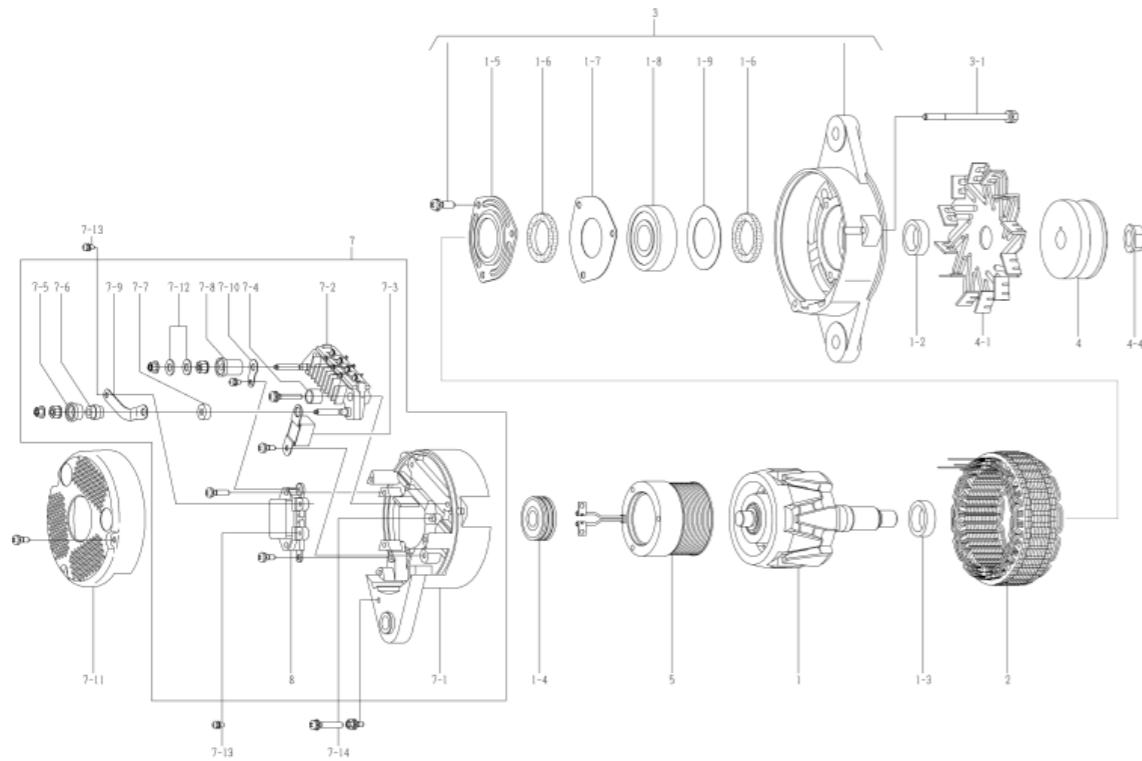


0-35000-4541 ALTERNATOR

OEM CUSTOMER	KOMATSU	OEM PARTS NUMBER	600-825-6721
NOMINAL OUT PUT	24V 60A	SUPPLY TERM	10.01~
WEIGHT	11 kg	REGULATOR	BUILT-IN
ENGINE MODEL	SAA6D170E-3C, OTHERS		
VEHICLE	WA700-3E, OTHERS		
DESIGN RECORD	4540 → 4541 ROTOR ASSY, COLLAR, STATOR ASSY, F. BRACKET ASSY, PULLEY, PULLEY NUT, FIELD COIL CO, R. BRACKET, COVER CHANGED		
NOTE	<p>17 TYPE V BELT SINGLE PEAK (QUENCHED) CLOCKWISE ROTATION PULLEY IS DIFFERENT FROM 0-35000-4491. OLD MODEL IS 0-35000-4540. HOWEVER, SUCH COMPONENTS ARE NOT COMPATIBLE AS ROTOR ASSY, COLLAR, STATOR ASSY, FRONT BRACKET ASSY, PULLEY, PULLEY NUT, FIELD COIL CO, REAR BRACKET AND COVER. 0-35000-4540, 4541 SHOULD USE THEIR OWN UNIQUE PARTS. HOW TO IDENTIFY THE OLD / NEW PART NUMBER OF ALTERNATOR ASSY : OLD MODEL USES PLAIN WASHER, SPRING WASHER AND NUT TO FIX PULLEY. NEW MODEL USES FLANGE NUT TO FIX PULLEY.</p>		

0-35000-4541 ALTERNATOR (MAKER PART NO 600-825-6721)

No	Parts Number	Maker Parts No	Description	Qty	List Price	Note
1	0-35100-0418		ROTOR ASSY	1		
1-2	1-33923-0240		COLLAR	1		
1-3	0-35923-0160		COLLAR	1		
1-4	0-09201-0980		BALL BEARING	1		REAR
1-5	0-35926-0070		RETAINER	1		
1-6	0-35951-0060		PACKING	2		
1-7	0-35926-0090		RETAINER	1		
1-8	0-09201-1450		BALL BEARING	1		FRONT
1-9	1-33926-0730		RETAINER	1		
2	0-35200-0528		STATOR ASSY	1		
3	0-35300-0450		F.BRACKET ASSY	1		INCLUDING 1-5~1-9
3-1	0-0275-06802		BOLT	3		THROUGH BOLT
4	0-35411-0214		PULLEY	1		
4-1	0-35421-0240		FAN	1		
4-4	0-09006-0730		NUT	1		
5	0-35120-0528		FIELD COIL CO	1		
7	0-35700-1170		R.BRACKET ASSY	1		INCLUDING 7-1~7-10, 7-12, 8
7-1	0-35710-1350		REAR BRACKET CO	1		
7-2	0-35730-0700		RECTIFIER ASSY	1		
7-3	0-09170-2501		CONDENSER	1		
7-4	0-35943-0170		INSULATE BUSH	2		
7-5	0-35943-0154		INSULATE BUSH	1		
7-6	0-35923-0134		COLLAR	1		
7-7	0-35943-0160		INSULATE BUSH	1		
7-8	0-35943-0140		INSULATE BUSH	1		
7-9	0-35784-0210		CONNECT BAR	1		
7-10	0-35784-0290		CONNECT BAR	1		
7-11	0-35761-0318		COVER	1		
7-12	0-09057-0220		WASHER	2		
7-13	0-09011-3540		SCREW	2		
7-14	0-0056-05302		SCREW	3		
8	0-35719-0201		REGULATOR ASSY	1		

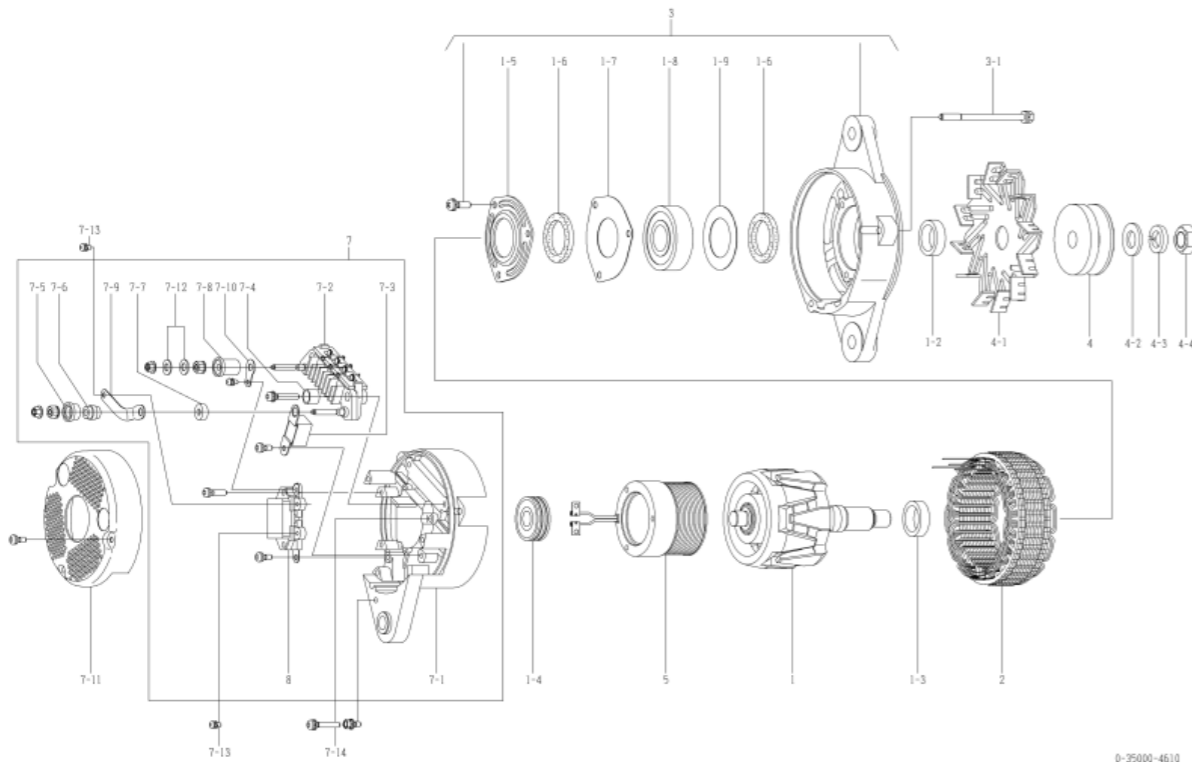


0-35000-4610 ALTERNATOR

OEM CUSTOMER	KOMATSU	OEM PARTS NUMBER	600-825-6190
NOMINAL OUT PUT	24V 60A	SUPPLY TERM	05.10~
WEIGHT	11 kg	REGULATOR	BUILT-IN
ENGINE MODEL	SAA6D95LE-5		
VEHICLE	D31PX-22		
DESIGN RECORD			
NOTE	<p>17 TYPE V BELT SINGLE PEAK CLOCKWISE ROTATION PULLEY AND FAN ARE DIFFERENT FROM 0-35000-4220. THE LATEST MODEL IS 0-35000-4611. HOWEVER, SUCH COMPONENTS ARE NOT COMPATIBLE AS ROTOR ASSY, COLLAR, STATOR ASSY, FRONT BRACKET ASSY, PULLEY, PULLEY NUT, FIELD COIL CO, REAR BRACKET AND COVER. 0-35000-4610, 4611 SHOULD USE THEIR OWN UNIQUE PARTS. HOW TO IDENTIFY THE OLD / NEW PART NUMBER OF ALTERNATOR ASSY : OLD MODEL USES PLAIN WASHER, SPRING WASHER AND NUT TO FIX PULLEY. NEW MODEL USES FLANGE NUT TO FIX PULLEY.</p>		

0-35000-4610 ALTERNATOR (MAKER PART NO 600-825-6190)

No	Parts Number	Maker Parts No	Description	Qty	List Price	Note
1	0-35100-0300		ROTOR ASSY	1		
1-2	1-33923-0790		COLLAR	1		
1-3	0-35923-0160		COLLAR	1		
1-4	0-09201-0980		BALL BEARING	1		REAR
1-5	0-35926-0070		RETAINER	1		
1-6	0-35951-0060		PACKING	2		
1-7	0-35926-0090		RETAINER	1		
1-8	0-09201-1140		BALL BEARING	1		FRONT
1-9	1-33926-0730		RETAINER	1		
2	0-35200-0460		STATOR ASSY	1		
3	0-35300-0350		F.BRACKET ASSY	1		INCLUDING 1-5~1-9
3-1	0-0275-06802		BOLT	3		THROUGH BOLT
4	0-35411-0062		PULLEY	1		
4-1	0-35421-0240		FAN	1		
4-2	0-09057-0230		WASHER	1		
4-3	1-0335-16002		SPRING WASHER	1		
4-4	0-0280-16022		NUT	1		
5	0-35120-0290		FIELD COIL CO	1		
7	0-35700-0921		R.BRACKET ASSY	1		INC 7-1~7-10, 7-12, 8
7-1	0-35710-1010		REAR BRACKET CO	1		
7-2	0-35730-0700		RECTIFIRE ASSY	1		
7-3	0-09170-2501		CONDENSER	1		
7-4	0-35943-0170		INSULATE BUSH	2		
7-5	0-35943-0150		INSULATE BUSH	1		
7-6	0-35923-0130		COLLAR	1		
7-7	0-35943-0160		INSULATE BUSH	1		
7-8	0-35943-0140		INSULATE BUSH	1		
7-9	0-35784-0210		CONNECT BAR	1		
7-10	0-35784-0290		CONNECT BAR	1		
7-11	0-35761-0250		COVER	1		
7-12	0-09057-0220		WASHER	2		
7-13	0-09011-3540		SCREW	2		
7-14	0-0056-05302		SCREW	3		
8	0-35719-0211		REGULATOR ASSY	1		

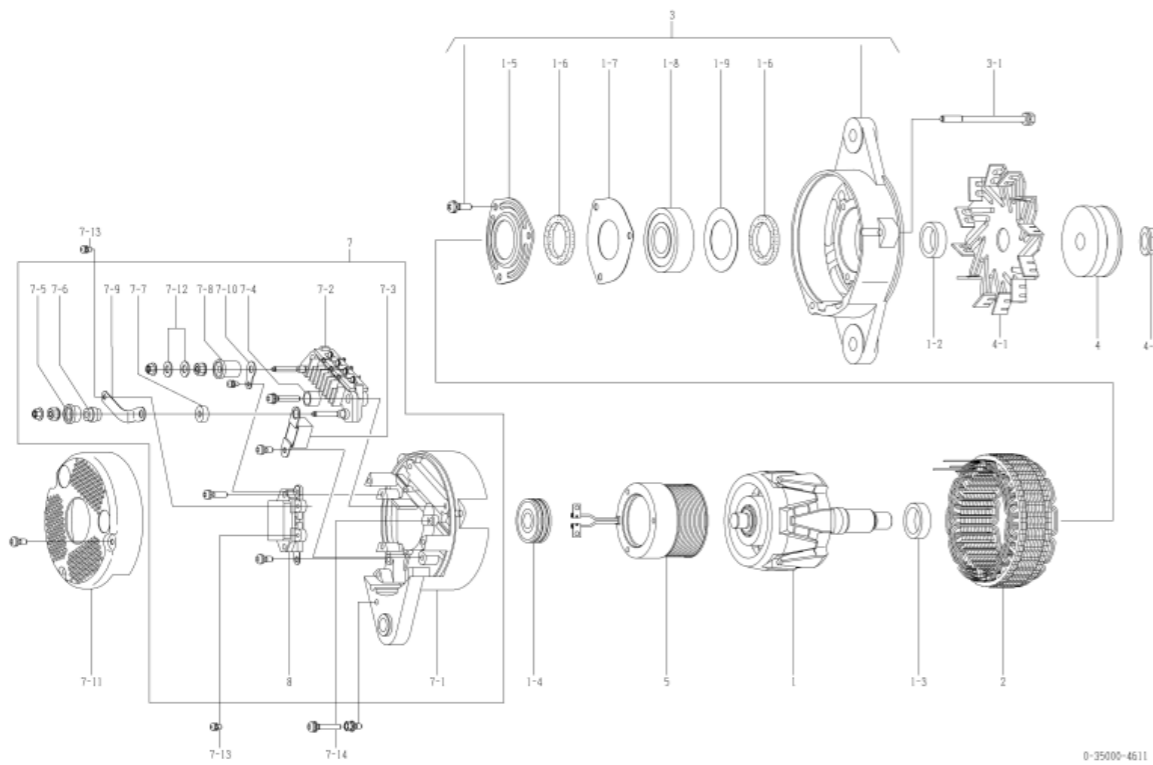


0-35000-4611 ALTERNATOR

OEM CUSTOMER	KOMATSU	OEM PARTS NUMBER	600-825-6191
NOMINAL OUT PUT	24V 60A	SUPPLY TERM	10.01~
WEIGHT	11 kg	REGULATOR	BUILT-IN
ENGINE MODEL	SAA6D95LE-5		
VEHICLE	D31PX-22		
DESIGN RECORD	4610 → 4611 ROTOR ASSY, COLLAR, STATOR ASSY, F. BRACKET ASSY, PULLEY, PULLEY NUT, FIELD COIL CO, R. BRACKET, COVER CHANGED		
NOTE	<p>17 TYPE V BELT SINGLE PEAK CLOCKWISE ROTATION PULLEY AND FAN ARE DIFFERENT FROM 0-35000-4221. OLD MODEL IS 0-35000-4610. HOWEVER, SUCH COMPONENTS ARE NOT COMPATIBLE AS ROTOR ASSY, COLLAR, STATOR ASSY, FRONT BRACKET ASSY, PULLEY, PULLEY NUT, FIELD COIL CO, REAR BRACKET AND COVER. 0-35000-4610, 4611 SHOULD USE THEIR OWN UNIQUE PARTS. HOW TO IDENTIFY THE OLD / NEW PART NUMBER OF ALTERNATOR ASSY : OLD MODEL USES PLAIN WASHER, SPRING WASHER AND NUT TO FIX PULLEY. NEW MODEL USES FLANGE NUT TO FIX PULLEY.</p>		

0-35000-4611 ALTERNATOR (MAKER PART NO 600-825-6191)

No	Parts Number	Maker Parts No	Description	Qty	List Price	Note
1	0-35100-0418		ROTOR ASSY	1		
1-2	1-33923-0240		COLLAR	1		
1-3	0-35923-0160		COLLAR	1		
1-4	0-09201-0980		BALL BEARING	1		REAR
1-5	0-35926-0070		RETAINER	1		
1-6	0-35951-0060		PACKING	2		
1-7	0-35926-0090		RETAINER	1		
1-8	0-09201-1450		BALL BEARING	1		FRONT
1-9	1-33926-0730		RETAINER	1		
2	0-35200-0528		STATOR ASSY	1		
3	0-35300-0450		F.BRACKET ASSY	1		INCLUDING 1-5~1-9
3-1	0-0275-06802		BOLT	3		THROUGH BOLT
4	0-35411-0068		PULLEY	1		
4-1	0-35421-0240		FAN	1		
4-4	0-09006-0730		NUT	1		
5	0-35120-0528		FIELD COIL CO	1		
7	0-35700-1170		R.BRACKET ASSY	1		INCLUDING 7-1~7-10, 7-12, 8
7-1	0-35710-1350		REAR BRACKET CO	1		
7-2	0-35730-0700		RECTIFIER ASSY	1		
7-3	0-09170-2501		CONDENSER	1		
7-4	0-35943-0170		INSULATE BUSH	2		
7-5	0-35943-0154		INSULATE BUSH	1		
7-6	0-35923-0134		COLLAR	1		
7-7	0-35943-0160		INSULATE BUSH	1		
7-8	0-35943-0140		INSULATE BUSH	1		
7-9	0-35784-0210		CONNECT BAR	1		
7-10	0-35784-0290		CONNECT BAR	1		
7-11	0-35761-0318		COVER	1		
7-12	0-09057-0220		WASHER	2		
7-13	0-09011-3540		SCREW	2		
7-14	0-0056-05302		SCREW	3		
8	0-35719-0201		REGULATOR ASSY	1		



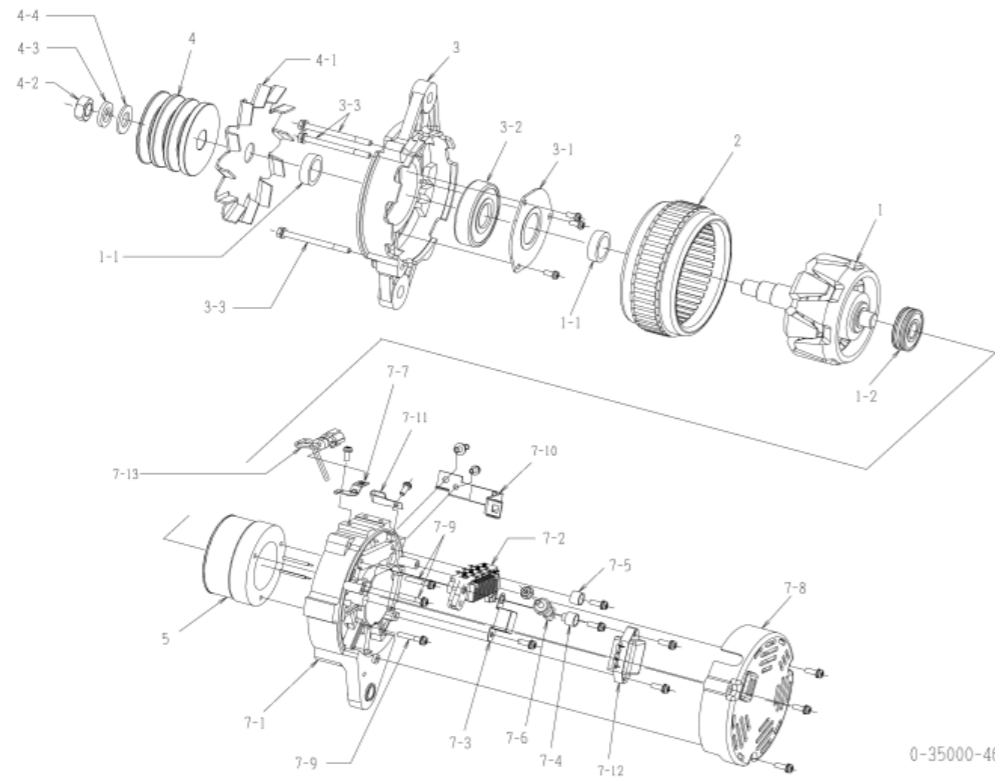
0-35000-4611

0-35000-4658 ALTERNATOR

OEM CUSTOMER	ISUZU	OEM PARTS NUMBER	8-97389221-2
NOMINAL OUT PUT	24V 50A	SUPPLY TERM	06.01~
WEIGHT	9.5kg	REGULATOR	BUILT-IN
ENGINE MODEL	4HK1		
VEHICLE	ADG-FRR90		
DESIGN RECORD	4588 → 4658	FIELD COIL AND HOLDER CHANGED	
NOTE	13 TYPE V BELT TRIPLE PEAKS CLOCKWISE ROTATION		

0-35000-4658 ALTERNATOR (MAKER PART NO 8-97389221-2)

No	Parts Number	Maker Parts No	Description	Qty	List Price	Note
1	0-35100-0408	8-97382869-0	ROTOR ASSY	1		
1-1	0-35923-0240	8-97382870-0	COLLAR	2		
1-2	0-09201-0980	1-81229723-0	BALL BEARING	1		REAR
2	0-35200-0488	8-97382871-0	STATOR ASSY	1		
3	0-35300-0428	8-97382872-0	F.BRACKET ASSY	1		INCLUDING 3-1, 3-2
3-1	0-35926-0130	1-81229760-0	RETAINER	1		
3-2	0-09201-1120	1-81229758-0	BALL BEARING	1		FRONT
3-3	0-0275-06802	1-81229382-0	BOLT	3		
4	0-35411-1138	8-98008461-0	PULLEY	1		
4-1	0-35421-0268	8-97382874-0	FAN	1		
4-2	0-0280-16022	1-81229474-0	NUT	1		
4-3	1-0335-16002	1-81229479-0	SPRING WASHER	1		
4-4	1-0330-16012	1-81229478-0	PLAIN WASHER	1		
5	0-35120-0498	8-98036295-0	FIELD COIL CO	1		
7-1	0-35710-1268		REAR BRACKET CO	1		
7-2	0-35730-0750	8-97382879-0	RECTIFIER ASSY	1		
7-3	0-09170-2501	1-84132012-0	CONDENSER	1		
7-5	0-35943-0230	8-97382880-0	INSULATE BUSH	2		
7-6	0-35901-0220	8-97382881-0	BOLT	1		
7-7	0-35927-0110	8-98042134-0	HOLDER	1		
7-8	0-35760-0058	8-97382882-1	COVER CO	1		
7-9	0-0056-05302	1-81229733-0	SCREW	3		
7-10	0-35927-0090	8-98008445-0	HOLDER	1		
7-11	1-33931-0060	1-81118011-0	CLIP	1		
7-12	0-35719-0250	8-98008463-0	REGULATOR ASSY	1		INCLUDING 7-13
7-13	0-35780-0980	8-98008464-0	TERMINAL ASSY	1		

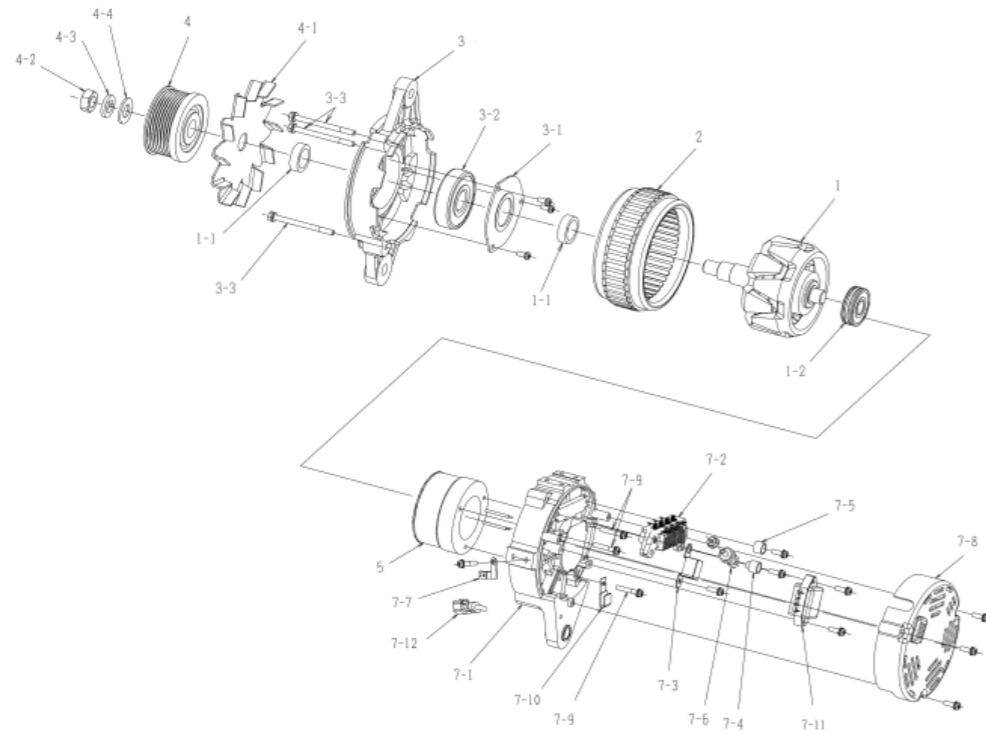


0-35000-4838 ALTERNATOR

OEM CUSTOMER	mitsubishi heavy industry	OEM PARTS NUMBER	32G68-00100
NOMINAL OUT PUT	24V 50A	SUPPLY TERM	06.12~
WEIGHT	9.7kg	REGULATOR	BUILT-IN
ENGINE MODEL	4FR (FORMER S4K)		
VEHICLE	MOTOR (HYDRAULIC EXCAVATOR)		
DESIGN RECORD			
NOTE	PK TYPE V BELT 12 PEAKS CLOCKWISE ROTATION		

0-35000-4838 ALTERNATOR (MAKER PART NO 32G68-00100)

No	Parts Number	Maker Parts No	Description	Qty	List Price	Note
1	0-35100-0408	32G68-07240	ROTOR ASSY	1		
1-1	0-35923-0240	32G68-07180	COLLAR	2		
1-2	0-09201-0980	32G68-07230	BALL BEARING	1		REAR
2	0-35200-0488	32G68-07270	STATOR ASSY	1		
3	0-35300-0428	32G68-07361	F.BRACKET ASSY	1		INCLUDING 3-1, 3-2
3-1	0-35926-0130	32G68-07201	RETAINER	1		
3-2	0-09201-1120	32G68-07210	BALL BEARING	1		FRONT
3-3	0-0275-06802	32G68-07120	BOLT	3		
4	0-35411-1228	32G68-07160	PULLEY	1		
4-1	0-35421-0268	32G68-07170	FAN	1		
4-2	0-0280-16022	32G68-07130	NUT	1		
4-3	1-0335-16002	32G68-07140	SPRING WASHER	1		
4-4	1-0330-16012	32G68-07150	PLAIN WASHER	1		
5	0-35120-0498	32G68-07260	FIELD COIL CO	1		
7-1	0-35710-1268	32G68-07350	REAR BRACKET CO	1		
7-2	0-35730-0750	32G68-07340	RECTIFIRE ASSY	1		
7-3	0-09170-2501	32G68-07330	CONDENSER	1		
7-4	0-35943-0250	32G68-07310	INSULATE BUSH	1		
7-5	0-35943-0170	32G68-07320	INSULATE BUSH	1		
7-6	0-35901-0220	32G68-07300	BOLT	1		
7-7	0-33927-0650	32G68-07280	HOLDER	1		
7-8	0-35760-0058	32G68-07110	COVER CO	1		
7-9	0-0056-05302	32G68-07250	SCREW	3		
7-10	1-33931-0021		CLIP	1		
7-11	0-35719-0270	32G68-07290	REGULATOR ASSY	1		INCLUDING 7-12
7-12	0-35780-0930		TERMINAL ASSY	1		



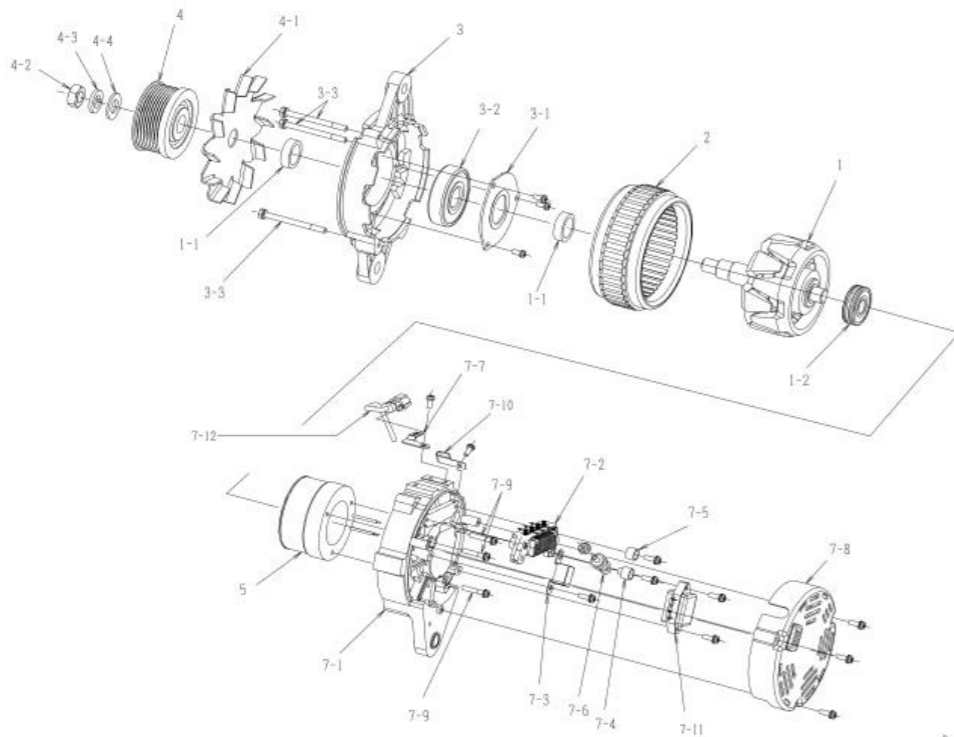
0-35000-4838

0-35000-4848 ALTERNATOR

OEM CUSTOMER	ISUZU	OEM PARTS NUMBER	8-98092116-0
NOMINAL OUT PUT	24V 50A	SUPPLY TERM	07.05~
WEIGHT	9.5kg	REGULATOR	BUILT-IN
ENGINE MODEL	4HK1T		
VEHICLE	MOTOR (EXCAVATOR, OTHERS)		
DESIGN RECORD	4558 → 4598	FIELD COIL CHANGED	
	4598 → 4848	REGULATOR ASSY CHANGED	
NOTE	PK TYPE V BELT 8 PEAKS CLOCKWISE ROTATION		

0-35000-4848 ALTERNATOR (MAKER PART NO 8-98092116-0)

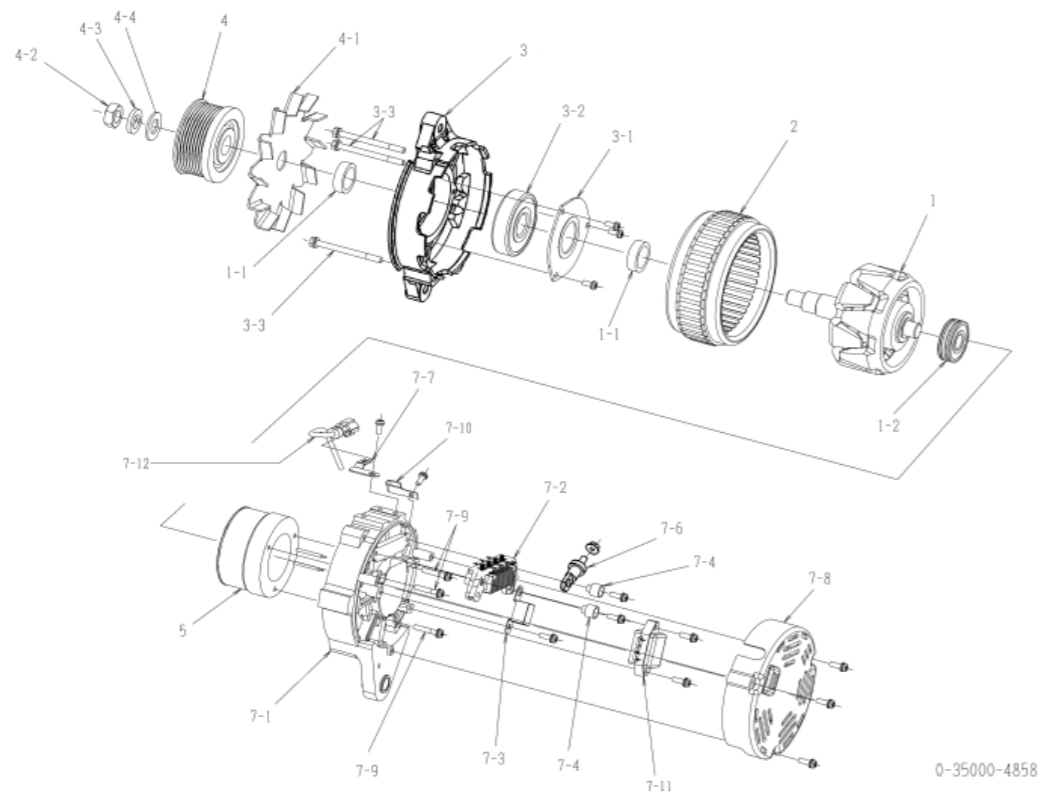
No	Parts Number	Maker Parts No	Description	Qty	List Price	Note
1	0-35100-0408	8-97382869-0	ROTOR ASSY	1		
1-1	0-35923-0240	8-97382870-0	COLLAR	2		
1-2	0-09201-0980	1-81229723-0	BALL BEARING	1		REAR
2	0-35200-0488	8-97382871-0	STATOR ASSY	1		
3	0-35300-0428	8-97382872-0	F.BRACKET ASSY	1		INCLUDING 3-1, 3-2
3-1	0-35926-0130	1-81229760-0	RETAINER	1		
3-2	0-09201-1120	1-81229758-0	BALL BEARING	1		FRONT
3-3	0-0275-06802	1-81229382-0	BOLT	3		
4	0-35411-1118	8-97382873-0	PULLEY	1		
4-1	0-35421-0268	8-97382874-0	FAN	1		
4-2	0-0280-16022	1-81229474-0	NUT	1		
4-3	1-0335-16002	1-81229479-0	SPRING WASHER	1		
4-4	1-0330-16012	1-81229478-0	PLAIN WASHER	1		
5	0-35120-0498	8-98036295-0	FIELD COIL CO	1		
7-1	0-35710-1268		REAR BRACKET CO	1		
7-2	0-35730-0750	8-97382879-0	RECTIFIRE ASSY	1		
7-3	0-09170-2501	1-84132012-0	CONDENSER	1		
7-4	0-35943-0250		INSULATE BUSH	1		
7-5	0-35943-0170	1-81229728-0	INSULATE BUSH	1		
7-6	0-35901-0220	8-97382881-0	BOLT	1		
7-7	0-33927-0650	8-97382881-0	HOLDER	1		
7-8	0-35760-0058	8-97382882-1	COVER CO	1		
7-9	0-0056-05302	1-81229733-0	SCREW	3		
7-10	1-33931-0060	1-81118011-0	CLIP	1		
7-11	0-35719-0221	8-98092399-0	REGULATOR ASSY	1		INCLUDING 7-12
7-12	0-35780-0930	8-97382884-0	TERMINAL ASSY	1		



0-35000-4848

0-35000-4858 ALTERNATOR

OEM CUSTOMER	ISUZU	OEM PARTS NUMBER	8-98092112-2
NOMINAL OUTPUT	24V 50A	SUPPLY TERM	07.06~
WEIGHT	9.1kg	REGULATOR	BUILT-IN
ENGINE MODEL	4JJ1X		
VEHICLE	MOTOR (HYDRAULIC EXCAVATOR, WHEEL EXCAVATOR, OTHERS)		
DESIGN RECORD	4648 → 4858 REGULATOR CHANGED		
NOTE	PK TYPE V BELT 7 PEAKS CLOCKWISE ROTATION		



0-35000-4858 ALTERNATOR (MAKER PART NO 8-98092112-2)

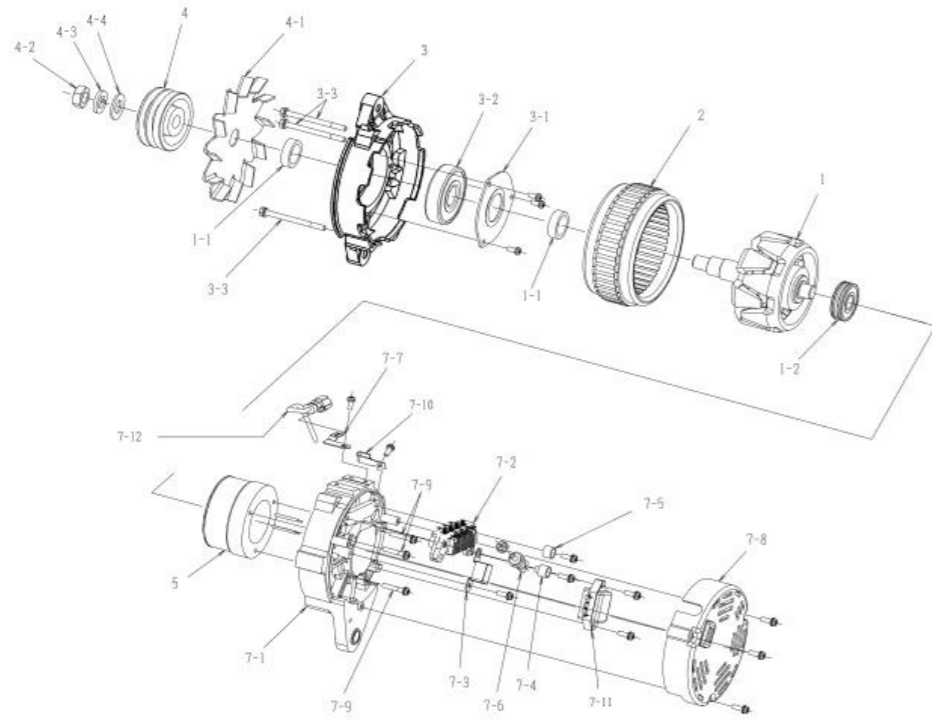
No	Parts Number	Maker Parts No	Description	Qty	List Price	Note
1	0-35100-0408	8-97382869-0	ROTOR ASSY	1		
1-1	0-35923-0240	8-97382870-0	COLLAR	2		
1-2	0-09201-0980	1-81229723-0	BALL BEARING	1		REAR
2	0-35200-0488	8-97382871-0	STATOR ASSY	1		
3	0-35300-0438	8-97382872-0	F.BRACKET ASSY	1		INCLUDING 3-1, 3-2
3-1	0-35926-0130	1-81229760-0	RETAINER	1		
3-2	0-09201-1120	1-81229758-0	BALL BEARING	1		FRONT
3-3	0-0275-06802	1-81229382-0	BOLT	3		
4	0-35411-1188	8-98045723-0	PULLEY	1		
4-1	0-35421-0268	8-97382874-0	FAN	1		
4-2	0-0280-16022	1-81229474-0	NUT	1		
4-3	1-0335-16002	1-81229479-0	SPRING WASHER	1		
4-4	1-0330-16012	1-81229478-0	PLAIN WASHER	1		
5	0-35120-0498	8-98036295-0	FIELD COIL CO	1		
7-1	0-35710-1328	8-98096981-0	REAR BRACKET CO	1		
7-2	0-35730-0750	8-97382879-0	RECTIFIER ASSY	1		
7-3	0-09170-2501	1-84132012-0	CONDENSER	1		
7-4	0-35943-0230	8-97382880-0	INSULATE BUSH	2		
7-6	0-35901-0220	8-97382881-0	BOLT	1		
7-7	0-33927-0650	8-97382881-0	HOLDER	1		
7-8	0-35760-0058	8-97382882-1	COVER CO	1		
7-9	0-0056-05302	1-81229733-0	SCREW	3		
7-10	1-33931-0060	1-81118011-0	CLIP	1		
7-11	0-35719-0221	8-98092399-0	REGULATOR ASSY	1		INCLUDING 7-12
7-12	0-35780-0930	8-97382884-0	TERMINAL ASSY	1		

0-35000-4868 ALTERNATOR

OEM CUSTOMER	ISUZU	OEM PARTS NUMBER	8-98089063-1
NOMINAL OUT PUT	24V 50A	SUPPLY TERM	07.06~
WEIGHT	9.4kg	REGULATOR	BUILT-IN
ENGINE MODEL	4LE2X		
VEHICLE	MOTOR (HYDRAULIC EXCAVATOR)		
DESIGN RECORD			
NOTE	V15 TYPE V BELT DOUBLE PEAKS CLOCKWISE ROTATION		

0-35000-4868 ALTERNATOR (MAKER PART NO 8-98089063-1)

No	Parts Number	Maker Parts No	Description	Qty	List Price	Note
1	0-35100-0408	8-97382869-0	ROTOR ASSY	1		
1-1	0-35923-0240	8-97382870-0	COLLAR	2		
1-2	0-09201-0980	1-81229723-0	BALL BEARING	1		REAR
2	0-35200-0488	8-97382871-0	STATOR ASSY	1		
3	0-35300-0438	8-97382872-0	F.BRACKET ASSY	1		INCLUDING 3-1, 3-2
3-1	0-35926-0130	1-81229760-0	RETAINER	1		
3-2	0-09201-1120	1-81229758-0	BALL BEARING	1		FRONT
3-3	0-0275-06802	1-81229382-0	BOLT	3		THROUGH BOLT
4	0-35411-1128	8-98096983-0	PULLEY	1		
4-1	0-35421-0268	8-97382874-0	FAN	1		
4-2	0-0280-16022	1-81229474-0	NUT	1		
4-3	1-0335-16002	1-81229479-0	SPRING WASHER	1		
4-4	1-0330-16012	1-81229478-0	PLAIN WASHER	1		
5	0-35120-0498	8-98036295-0	FIELD COIL CO	1		
7-1	0-35710-1328	8-98096981-0	REAR BRACKET CO	1		
7-2	0-35730-0750	8-97382879-0	RECTIFIER ASSY	1		
7-3	0-09170-2501	1-84132012-0	CONDENSER	1		
7-4	0-35943-0230	8-97382880-0	INSULATE BUSH	1		
7-5	0-35943-0250		INSULATE BUSH	1		
7-6	0-35901-0220	8-97382881-0	BOLT	1		
7-7	0-33927-0650	8-97382881-0	HOLDER	1		
7-8	0-35760-0058	8-97382882-1	COVER CO	1		
7-9	0-0056-05302	1-81229733-0	SCREW	3		
7-10	1-33931-0060	1-81118011-0	CLIP	1		
7-11	0-35719-0221	8-98092399-0	REGULATOR ASSY	1		INCLUDING 7-12
7-12	0-35780-0930	8-97382884-0	TERMINAL ASSY	1		



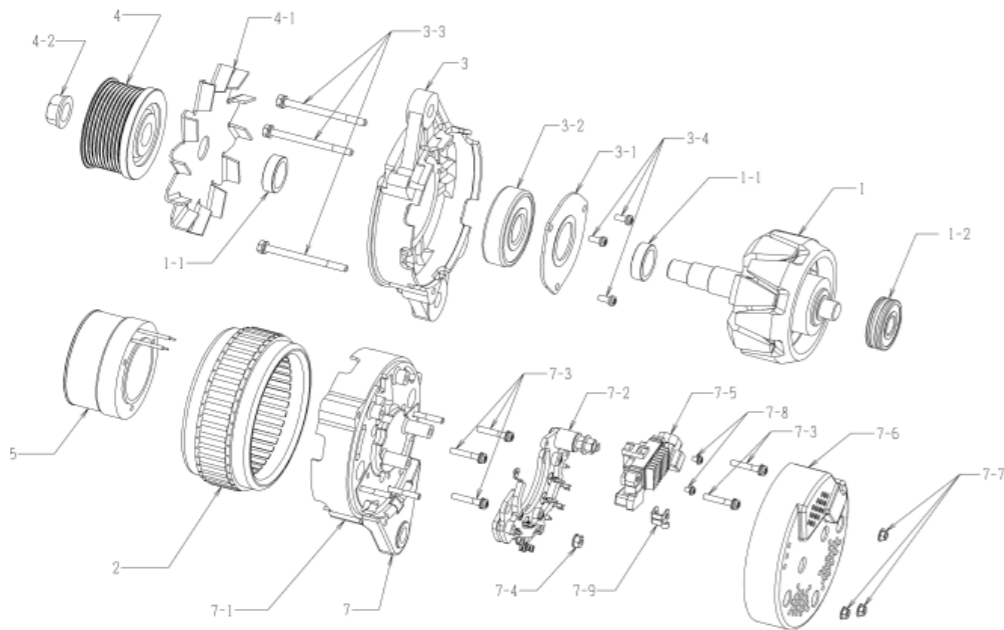
0-35000-4868

0-35000-4898 ALTERNATOR

OEM CUSTOMER	ISUZU	OEM PARTS NUMBER	8-98013461-3
NOMINAL OUT PUT	24V 50A	SUPPLY TERM	10.07~
WEIGHT	9.9kg	REGULATOR	BUILT-IN
ENGINE MODEL	6HK1-TC		
VEHICLE	FRR34, FTR34		
DESIGN RECORD			
NOTE	K TYPE V BELT 9 PEAKS CLOCKWISE ROTATION		

0-35000-4898 ALTERNATOR (MAKER PART NO 8-98013461-3)

No	Parts Number	Maker Parts No	Description	Qty	List Price	Note
1	0-35100-0418	8-98040638-0	ROTOR ASSY	1		
1-1	0-35923-0240	8-97382870-0	COLLAR	2		
1-2	0-09201-0980	1-81229723-0	BALL BEARING	1		REAR
2	0-35200-0498	8-98040639-0	STATOR ASSY	1		
3	0-35300-0428	8-97382872-0	F.BRACKET ASSY	1		INCLUDING 3-1, 3-2, 3-4
3-1	0-35926-0130	1-81229760-0	RETAINER	1		
3-2	0-09201-1120	1-81229758-0	BALL BEARING	1		FRONT
3-3	0-0275-06802	1-81229382-0	BOLT	3		THROUGH BOLT
3-4	1-0055-06162	1-81229469-0	SCREW	3		
4	0-35411-1170		PULLEY	1		
4-1	0-35421-0268	8-97382874-0	FAN	1		
4-2	0-09006-0730	8-98040643-0	NUT	1		
5	0-35120-0508	8-98040645-0	FIELD COIL CO	1		
7	0-35700-1068	8-98040684-0	R.BRACKET ASSY	1		INCLUDING 5, 7-1~7-5, 7-8, 7-9
7-1	0-35710-1418	8-98181101-0	REAR BRACKET CO	1		
7-2	0-35730-0761	8-98040686-0	RECTIFIER ASSY	1		
7-3	0-0056-05252	1-81229476-0	SCREW	5		
7-4	0-33902-0090	8-98040687-0	NUT	1		
7-5	0-35719-0260	8-98040688-0	REGULATOR ASSY	1		
7-6	0-35760-0031	8-98181103-0	COVER CO	1		
7-7	0-33902-0080	8-98040690-0	NUT	3		
7-8	0-0055-04082		SCREW	2		
7-9	0-35786-0390		TERMINAL PLATE	1		



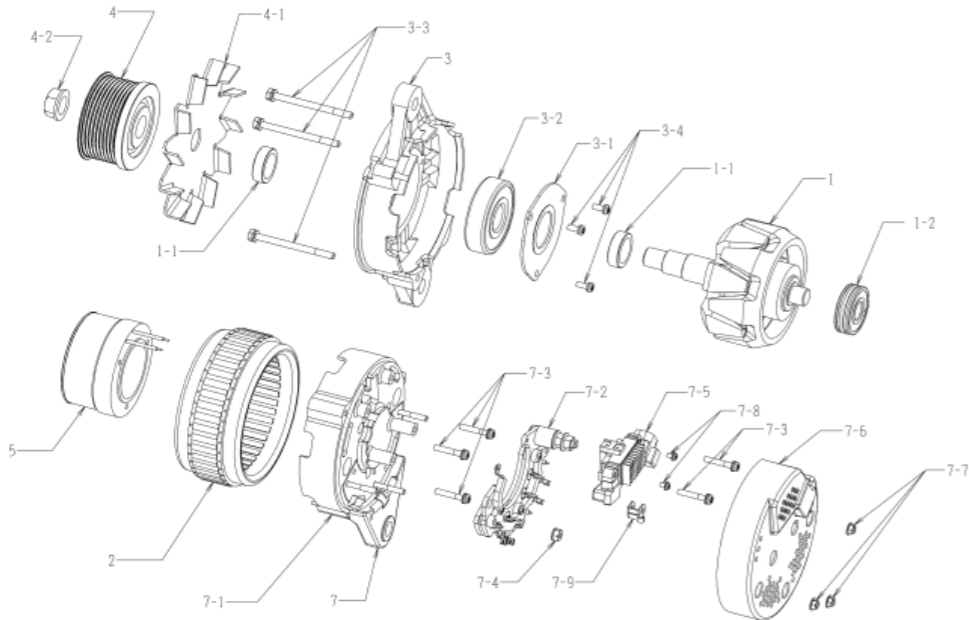
0-35000-4898

0-35000-4908 ALTERNATOR

OEM CUSTOMER	ISUZU	OEM PARTS NUMBER	8-98013462-3
NOMINAL OUT PUT	24V 60A	SUPPLY TERM	10.07~
WEIGHT	9.9kg	REGULATOR	BUILT-IN
ENGINE MODEL	6HK1-TC		
VEHICLE	FRR34		
DESIGN RECORD			
NOTE	K TYPE V BELT 9 PEAKS CLOCKWISE ROTATION		

0-35000-4908 ALTERNATOR (MAKER PART NO 8-98013462-3)

No	Parts Number	Maker Parts No	Description	Qty	List Price	Note
1	0-35100-0418	8-98040638-0	ROTOR ASSY	1		
1-1	0-35923-0240	8-97382870-0	COLLAR	2		
1-2	0-09201-0980	1-81229723-0	BALL BEARING	1		REAR
2	0-35200-0508	8-98040640-0	STATOR ASSY	1		
3	0-35300-0428	8-97382872-0	F.BRACKET ASSY	1		INCLUDING 3-1, 3-2, 3-4
3-1	0-35926-0130	1-81229760-0	RETAINER	1		
3-2	0-09201-1120	1-81229758-0	BALL BEARING	1		FRONT
3-3	0-0275-06802	1-81229382-0	BOLT	3		THROUGH BOLT
3-4	1-0055-06162	1-81229469-0	SCREW	3		
4	0-35411-1170		PULLEY	1		
4-1	0-35421-0268	8-97382874-0	FAN	1		
4-2	0-09006-0730	8-98040643-0	NUT	1		
5	0-35120-0508	8-98040645-0	FIELD COIL CO	1		
7	0-35700-1068	8-98040684-0	R.BRACKET ASSY	1		INCLUDING 5, 7-1~7-5, 7-8, 7-9
7-1	0-35710-1418	8-98181101-0	REAR BRACKET CO	1		
7-2	0-35730-0761	8-98040686-0	RECTIFIER ASSY	1		
7-3	0-0056-05252	1-81229476-0	SCREW	5		
7-4	0-33902-0090	8-98040687-0	NUT	1		
7-5	0-35719-0260	8-98040688-0	REGULATOR ASSY	1		
7-6	0-35760-0031	8-98181103-0	COVER CO	1		
7-7	0-33902-0080	8-98040690-0	NUT	3		
7-8	0-0055-04082		SCREW	2		
7-9	0-35786-0390		TERMINAL PLATE	1		



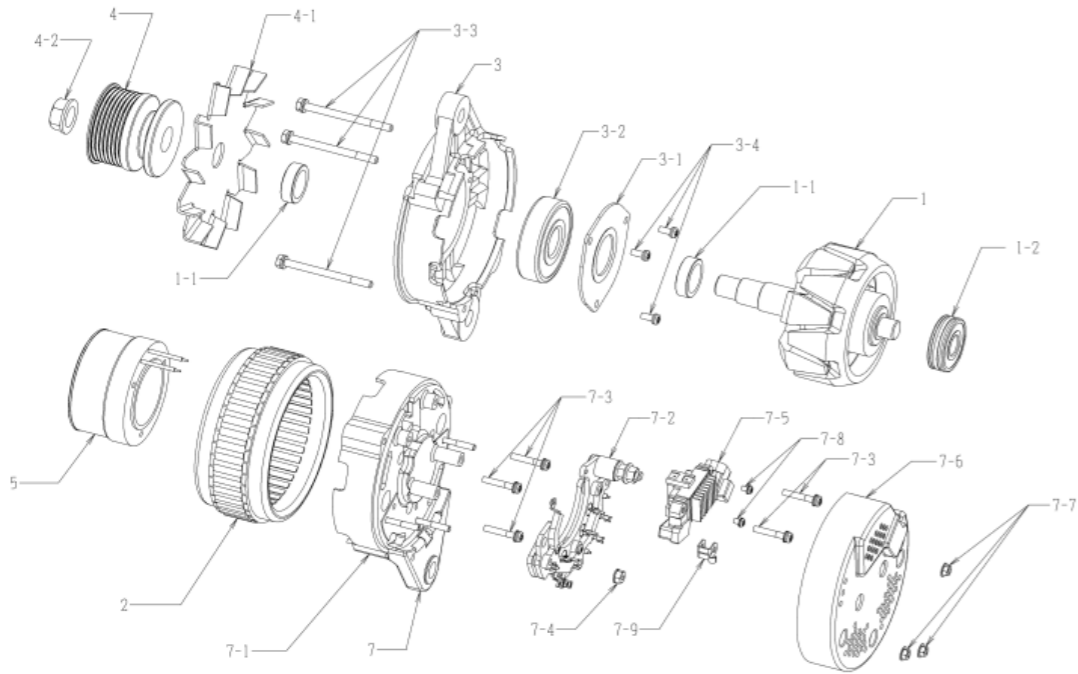
0-35000-4908

0-35000-4918 ALTERNATOR

OEM CUSTOMER	ISUZU	OEM PARTS NUMBER	8-98013455-2
NOMINAL OUT PUT	24V 50A	SUPPLY TERM	10.07~
WEIGHT	9.8kg	REGULATOR	BUILT-IN
ENGINE MODEL	4HK1-TC		
VEHICLE	FRR90		
DESIGN RECORD			
NOTE	13 TYPE V BELT SINGLE PEAK, K TYPE V BELT 7 PEAKS CLOCKWISE ROTATION		

0-35000-4918 ALTERNATOR (MAKER PART NO 8-98013455-2)

No	Parts Number	Maker Parts No	Description	Qty	List Price	Note
1	0-35100-0418	8-98040638-0	ROTOR ASSY	1		
1-1	0-35923-0240	8-97382870-0	COLLAR	2		
1-2	0-09201-0980	1-81229723-0	BALL BEARING	1		REAR
2	0-35200-0498	8-98040639-0	STATOR ASSY	1		
3	0-35300-0428	8-97382872-0	F.BRACKET ASSY	1		INCLUDING 3-1, 3-2, 3-4
3-1	0-35926-0130	1-81229760-0	RETAINER	1		
3-2	0-09201-1120	1-81229758-0	BALL BEARING	1		FRONT
3-3	0-0275-06802	1-81229382-0	BOLT	3		THROUGH BOLT
3-4	1-0055-06162	1-81229469-0	SCREW	3		
4	0-35411-1210		PULLEY	1		
4-1	0-35421-0268	8-97382874-0	FAN	1		
4-2	0-09006-0730	8-98040643-0	NUT	1		
5	0-35120-0508	8-98040645-0	FIELD COIL CO	1		
7	0-35700-1068	8-98040684-0	R.BRACKET ASSY	1		INCLUDING 5, 7-1~7-5, 7-8, 7-9
7-1	0-35710-1418	8-98181101-0	REAR BRACKET CO	1		
7-2	0-35730-0761	8-98040686-0	RECTIFIER ASSY	1		
7-3	0-0056-05252	1-81229476-0	SCREW	5		
7-4	0-33902-0090	8-98040687-0	NUT	1		
7-5	0-35719-0260	8-98040688-0	REGULATOR ASSY	1		
7-6	0-35760-0031	8-98181103-0	COVER CO	1		
7-7	0-33902-0080	8-98040690-0	NUT	3		
7-8	0-0055-04082		SCREW	2		
7-9	0-35786-0390		TERMINAL PLATE	1		



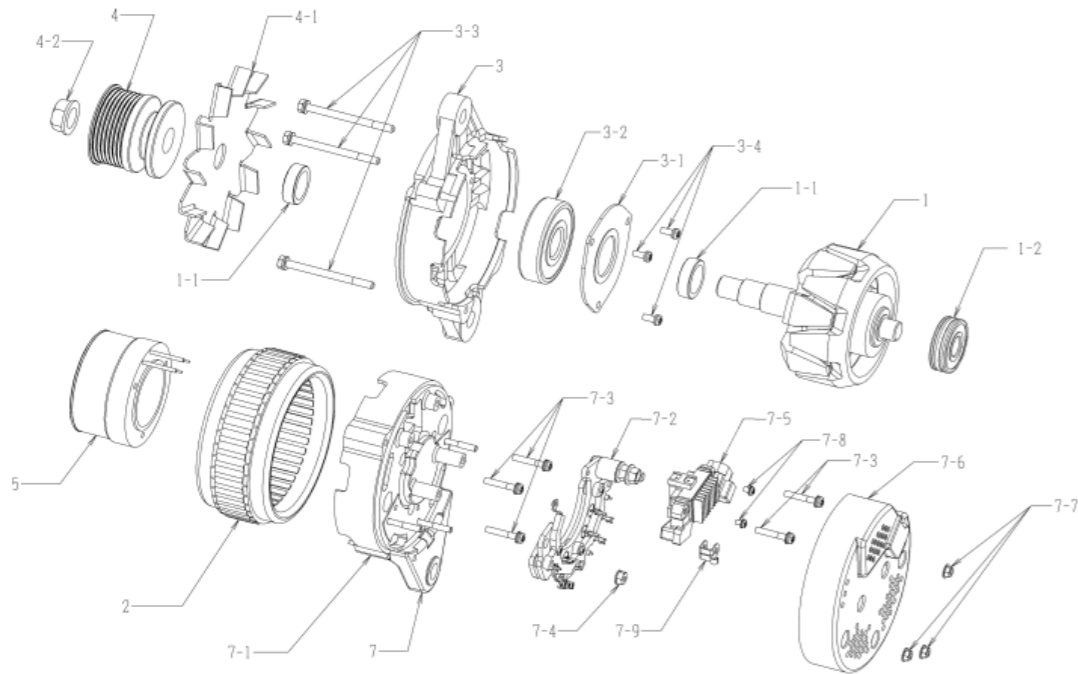
0-35000-4918

0-35000-4928 ALTERNATOR

OEM CUSTOMER	ISUZU	OEM PARTS NUMBER	8-98013456-2
NOMINAL OUT PUT	24V 60A	SUPPLY TERM	10.07~
WEIGHT	9.8kg	REGULATOR	BUILT-IN
ENGINE MODEL	4HK1-TC		
VEHICLE	FRR90		
DESIGN RECORD			
NOTE	13 TYPE V BELT SINGLE PEAK, K TYPE V BELT 7 PEAKS CLOCKWISE ROTATION		

0-35000-4928 ALTERNATOR (MAKER PART NO 8-98013456-2)

No	Parts Number	Maker Parts No	Description	Qty	List Price	Note
1	0-35100-0418	8-98040638-0	ROTOR ASSY	1		
1-1	0-35923-0240	8-97382870-0	COLLAR	2		
1-2	0-09201-0980	1-81229723-0	BALL BEARING	1		REAR
2	0-35200-0508	8-98040640-0	STATOR ASSY	1		
3	0-35300-0428	8-97382872-0	F.BRACKET ASSY	1		INCLUDING 3-1, 3-2, 3-4
3-1	0-35926-0130	1-81229760-0	RETAINER	1		
3-2	0-09201-1120	1-81229758-0	BALL BEARING	1		FRONT
3-3	0-0275-06802	1-81229382-0	BOLT	3		THROUGH BOLT
3-4	1-0055-06162	1-81229469-0	SCREW	3		
4	0-35411-1210		PULLEY	1		
4-1	0-35421-0268	8-97382874-0	FAN	1		
4-2	0-09006-0730	8-98040643-0	NUT	1		
5	0-35120-0508	8-98040645-0	FIELD COIL CO	1		
7	0-35700-1068	8-98040684-0	R.BRACKET ASSY	1		INCLUDING 5, 7-1~7-5, 7-8, 7-9
7-1	0-35710-1418	8-98181101-0	REAR BRACKET CO	1		
7-2	0-35730-0761	8-98040686-0	RECTIFIER ASSY	1		
7-3	0-0056-05252	1-81229476-0	SCREW	5		
7-4	0-33902-0090	8-98040687-0	NUT	1		
7-5	0-35719-0260	8-98040688-0	REGULATOR ASSY	1		
7-6	0-35760-0031	8-98181103-0	COVER CO	1		
7-7	0-33902-0080	8-98040690-0	NUT	3		
7-8	0-0055-04082		SCREW	2		
7-9	0-35786-0390		TERMINAL PLATE	1		



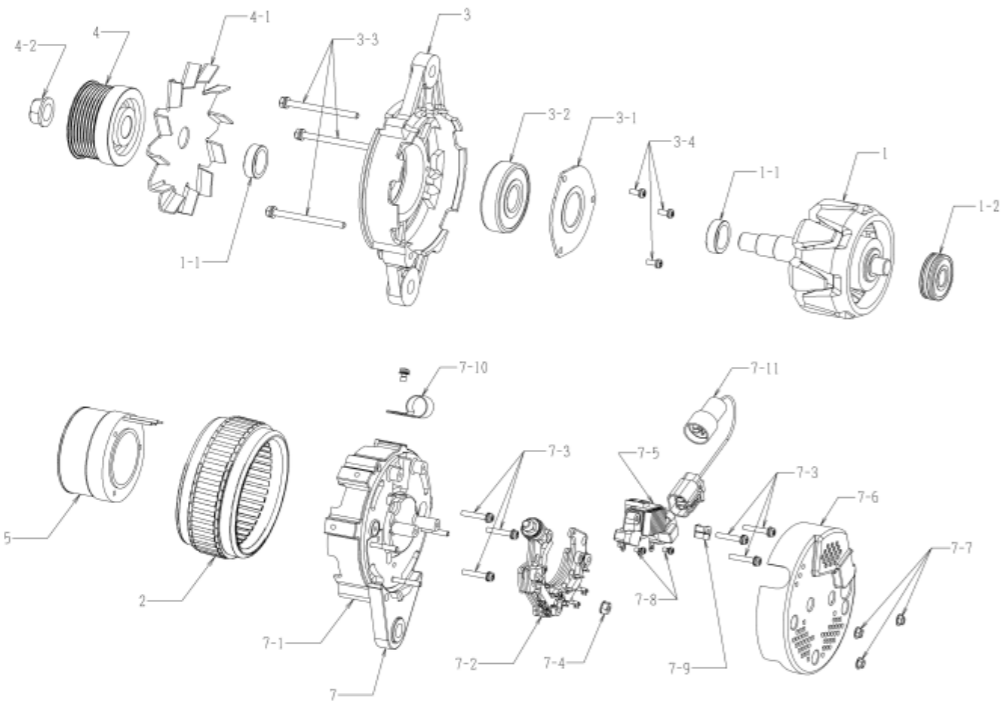
0-35000-4928

0-35000-4958 ALTERNATOR

OEM CUSTOMER	ISUZU	OEM PARTS NUMBER	8-98169360-0
NOMINAL OUT PUT	24V 60A	SUPPLY TERM	10.08~
WEIGHT	9.9kg	REGULATOR	BUILT-IN
ENGINE MODEL	6UZ1-TC		
VEHICLE	CYL77, CYJ77		
DESIGN RECORD			
NOTE	K TYPE V BELT 7 PEAKS (QUENCHED) CLOCKWISE ROTATION 60A MODEL OF 0-35000-5000		

0-35000-4958 ALTERNATOR (MAKER PART NO 8-98169360-0)

No	Parts Number	Maker Parts No	Description	Qty	List Price	Note
1	0-35100-0418	8-98040638-0	ROTOR ASSY	1		
1-1	0-35923-0240	8-97382870-0	COLLAR	2		
1-2	0-09201-0980	1-81229723-0	BALL BEARING	1		REAR
2	0-35200-0508	8-98040640-0	STATOR ASSY	1		
3	0-35300-0428	8-97382872-0	F.BRACKET ASSY	1		INCLUDING 3-1, 3-2, 3-4
3-1	0-35926-0130	1-81229760-0	RETAINER	1		
3-2	0-09201-1120	1-81229758-0	BALL BEARING	1		FRONT
3-3	0-0275-06802	1-81229382-0	BOLT	3		THROUGH BOLT
3-4	1-0055-06162	1-81229469-0	SCREW	3		
4	0-35411-1248	8-98181099-0	PULLEY	1		
4-1	0-35421-0268	8-97382874-0	FAN	1		
4-2	0-09006-0730	8-98040643-0	NUT	1		
5	0-35120-0508	8-98040645-0	FIELD COIL CO	1		
7	0-35700-1238	8-98181100-0	R.BRACKET ASSY	1		INCLUDING 5, 7-1~7-5, 7-8, 7-9
7-1	0-35710-1418	8-98181101-0	REAR BRACKET CO	1		
7-2	0-35730-0858	8-98181102-0	RECTIFIER ASSY	1		
7-3	0-0056-05252	1-81229476-0	SCREW	6		
7-4	0-33902-0090	8-98040687-0	NUT	1		
7-5	0-35719-0260	8-98040688-0	REGULATOR ASSY	1		
7-6	0-35760-0031	8-98181103-0	COVER CO	1		
7-7	0-33902-0080	8-98040690-0	NUT	3		
7-8	0-0055-04082		SCREW	2		
7-9	0-35786-0390		TERMINAL PLATE	1		
7-10	0-35927-0010	1-81217053-0	HOLDER	1		
7-11	0-35780-1048	8-98181104-0	TERMINAL ASSY	1		



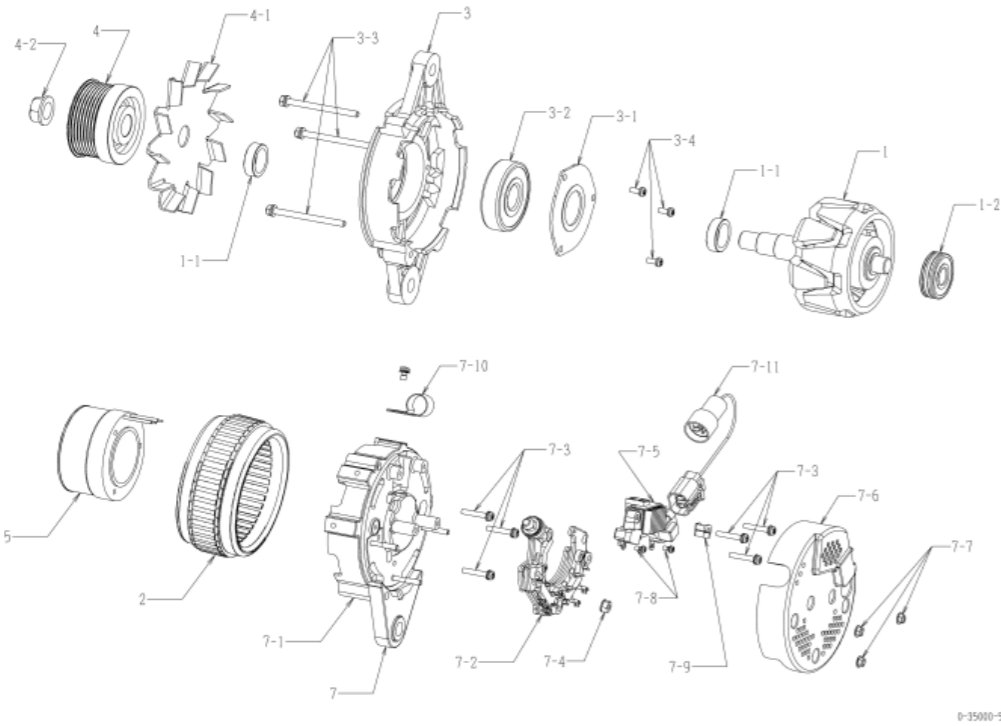
0-35000-4958

0-35000-5000 ALTERNATOR

OEM CUSTOMER	ISUZU	OEM PARTS NUMBER	8-98201085-0
NOMINAL OUT PUT	24V 50A	SUPPLY TERM	11.08~
WEIGHT	9.9kg	REGULATOR	BUILT-IN
ENGINE MODEL	6UZ1-TC		
VEHICLE	CYL77, CYJ77		
DESIGN RECORD			
NOTE	K TYPE V BELT 7 PEAKS (QUENCHED) CLOCKWISE ROTATION 50A MODEL OF 0-35000-4958		

0-35000-5000 ALTERNATOR (MAKER PART NO 8-98201085-0)

No	Parts Number	Maker Parts No	Description	Qty	List Price	Note
1	0-35100-0418	8-98040638-0	ROTOR ASSY	1		
1-1	0-35923-0240	8-97382870-0	COLLAR	2		
1-2	0-09201-0980	1-81229723-0	BALL BEARING	1		REAR
2	0-35200-0498	8-98040639-0	STATOR ASSY	1		
3	0-35300-0428	8-97382872-0	F.BRACKET ASSY	1		INCLUDING 3-1, 3-2, 3-4
3-1	0-35926-0130	1-81229760-0	RETAINER	1		
3-2	0-09201-1120	1-81229758-0	BALL BEARING	1		FRONT
3-3	0-0275-06802	1-81229382-0	BOLT	3		THROUGH BOLT
3-4	1-0055-06162	1-81229469-0	SCREW	3		
4	0-35411-1248	8-98181099-0	PULLEY	1		
4-1	0-35421-0268	8-97382874-0	FAN	1		
4-2	0-09006-0730	8-98040643-0	NUT	1		
5	0-35120-0508	8-98040645-0	FIELD COIL CO	1		
7	0-35700-1238	8-98181100-0	R.BRACKET ASSY	1		INCLUDING 5, 7-1~7-5, 7-8, 7-9
7-1	0-35710-1418	8-98181101-0	REAR BRACKET CO	1		
7-2	0-35730-0858	8-98181102-0	RECTIFIER ASSY	1		
7-3	0-0056-05252	1-81229476-0	SCREW	6		
7-4	0-33902-0090	8-98040687-0	NUT	1		
7-5	0-35719-0260	8-98040688-0	REGULATOR ASSY	1		
7-6	0-35760-0031	8-98181103-0	COVER CO	1		
7-7	0-33902-0080	8-98040690-0	NUT	3		
7-8	0-0055-04082		SCREW	2		
7-9	0-35786-0390		TERMINAL PLATE	1		
7-10	0-35927-0010	1-81217053-0	HOLDER	1		
7-11	0-35780-1048	8-98181104-0	TERMINAL ASSY	1		



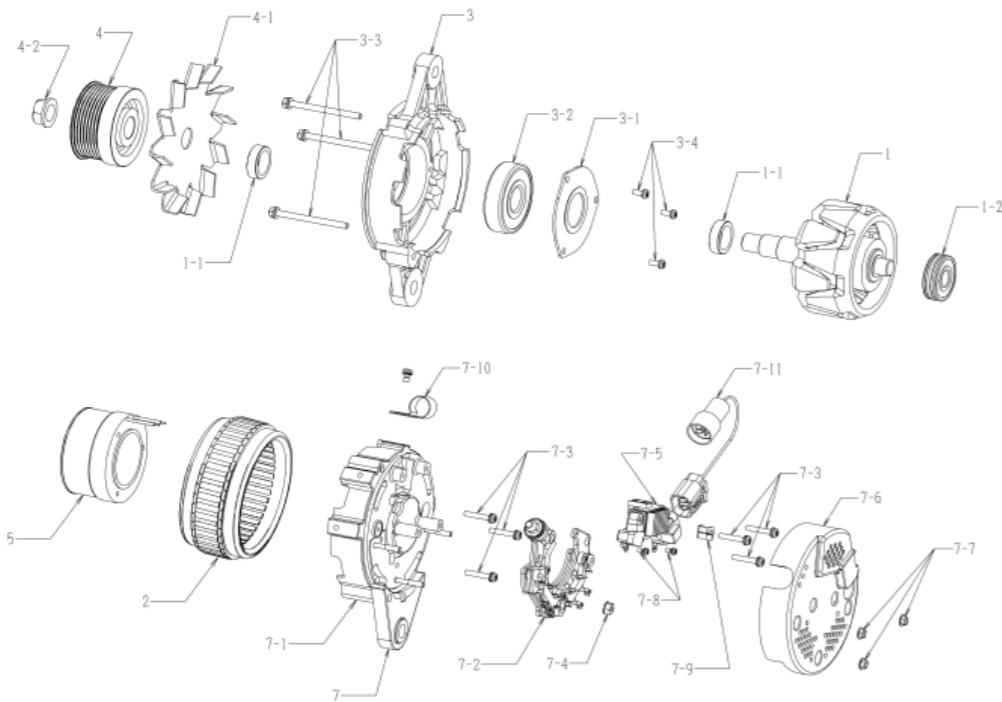
0-35000-5000

0-35000-5001 ALTERNATOR

OEM CUSTOMER	ISUZU	OEM PARTS NUMBER	8-98201085-2
NOMINAL OUT PUT	24V 50A	SUPPLY TERM	15.03~
WEIGHT	9.9kg	REGULATOR	BUILT-IN
ENGINE MODEL	6UZ1-TC		
VEHICLE	CYL77, CYJ77		
DESIGN RECORD	5000 → 5001 SLIDE COLLAR, INSULATE BUSH OF B TERMINAL CHANGED		
NOTE	K TYPE V BELT 7 PEAKS (QUENCHED) CLOCKWISE ROTATION 50A MODEL OF 0-35000-5220		

0-35000-5001 ALTERNATOR (MAKER PART NO 8-98201085-2)

No	Parts Number	Maker Parts No	Description	Qty	List Price	Note
1	0-35100-0418	8-98040638-0	ROTOR ASSY	1		
1-1	0-35923-0240	8-97382870-0	COLLAR	2		
1-2	0-09201-0980	1-81229723-0	BALL BEARING	1		REAR
2	0-35200-0498	8-98040639-0	STATOR ASSY	1		
3	0-35300-0428	8-97382872-0	F.BRACKET ASSY	1		INCLUDING 3-1, 3-2, 3-4
3-1	0-35926-0130	1-81229760-0	RETAINER	1		
3-2	0-09201-1120	1-81229758-0	BALL BEARING	1		FRONT
3-3	0-0275-06802	1-81229382-0	BOLT	3		THROUGH BOLT
3-4	1-0055-06162	1-81229469-0	SCREW	3		
4	0-35411-1248	8-98181099-0	PULLEY	1		
4-1	0-35421-0268	8-97382874-0	FAN	1		
4-2	0-09006-0730	8-98040643-0	NUT	1		
5	0-35120-0508	8-98040645-0	FIELD COIL CO	1		
7	0-35700-1380	8-98181100-1	R.BRACKET ASSY	1		INCLUDING 5, 7-1~7-5, 7-8, 7-9
7-1	0-35710-1780	8-98191101-1	REAR BRACKET CO	1		
7-2	0-35730-1080	8-98335685-0	RECTIFIER ASSY	1		
7-3	0-0056-05252	1-81229476-0	SCREW	6		
7-4	0-33902-0090	8-98040687-0	NUT	1		
7-5	0-35719-0260	8-98040688-0	REGULATOR ASSY	1		
7-6	0-35760-0031	8-98181103-0	COVER CO	1		
7-7	0-33902-0080	8-98040690-0	NUT	3		
7-8	0-0055-04082		SCREW	2		
7-9	0-35786-0390		TERMINAL PLATE	1		
7-10	0-35927-0010	1-81217053-0	HOLDER	1		
7-11	0-35780-1048	8-98181104-0	TERMINAL ASSY	1		



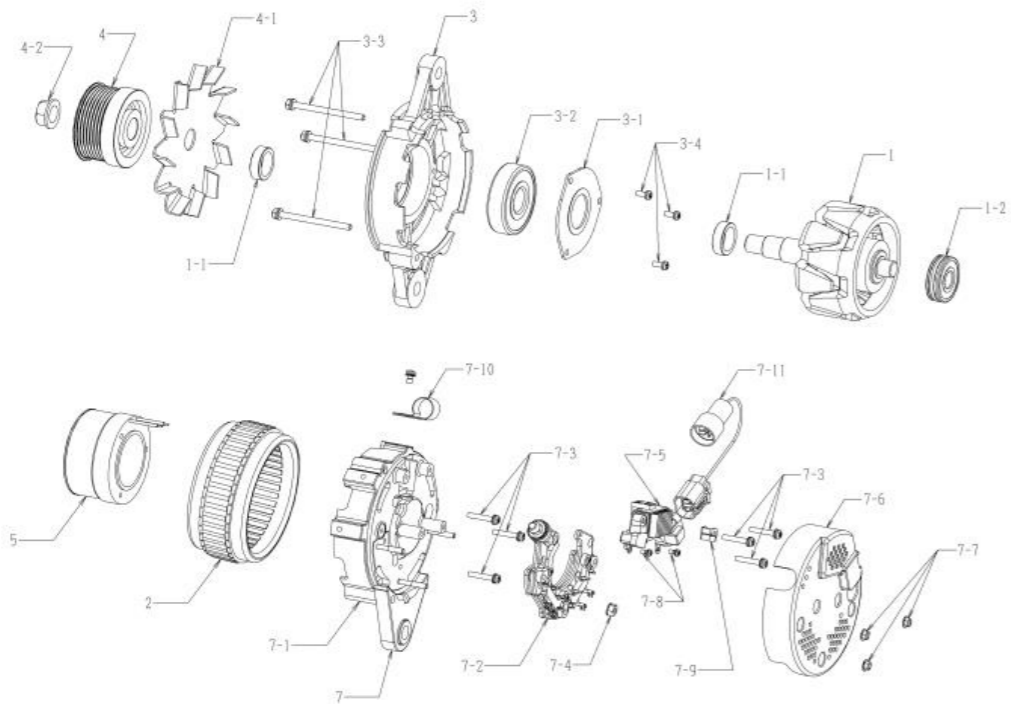
0-35000-5001

0-35000-5002 ALTERNATOR

OEM CUSTOMER	ISUZU	OEM PARTS NUMBER	8-98201085-3
NOMINAL OUT PUT	24V 50A	SUPPLY TERM	16.06~
WEIGHT	9.9kg	REGULATOR	BUILT-IN
ENGINE MODEL	6UZ1-TC		
VEHICLE	CYL77, CYJ77		
DESIGN RECORD	5000 → 5001	SLIDE COLLAR, INSULATE BUSH OF B TERMINAL CHANGED	
	5001 → 5002	REGULATOR CHANGED	
NOTE	K TYPE V BELT 7 PEAKS (QUENCHED) CLOCKWISE ROTATION 50A MODEL OF 0-35000-5221		

0-35000-5002 ALTERNATOR (MAKER PART NO 8-98201085-3)

No	Parts Number	Maker Parts No	Description	Qty	List Price	Note
1	0-35100-0418	8-98040638-0	ROTOR ASSY	1		
1-1	0-35923-0240	8-97382870-0	COLLAR	2		
1-2	0-09201-0980	1-81229723-0	BALL BEARING	1		REAR
2	0-35200-0498	8-98040639-0	STATOR ASSY	1		
3	0-35300-0428	8-97382872-0	F.BRACKET ASSY	1		INCLUDING 3-1, 3-2, 3-4
3-1	0-35926-0130	1-81229760-0	RETAINER	1		
3-2	0-09201-1120	1-81229758-0	BALL BEARING	1		FRONT
3-3	0-0275-06802	1-81229382-0	BOLT	3		THROUGH BOLT
3-4	1-0055-06162	1-81229469-0	SCREW	3		
4	0-35411-1248	8-98181099-0	PULLEY	1		
4-1	0-35421-0268	8-97382874-0	FAN	1		
4-2	0-09006-0730	8-98040643-0	NUT	1		
5	0-35120-0508	8-98040645-0	FIELD COIL CO	1		
7	0-35700-1381	8-98367600-0	R.BRACKET ASSY	1		INCLUDING 5, 7-1~7-5, 7-8, 7-9
7-1	0-35710-1780	8-98191101-1	REAR BRACKET CO	1		
7-2	0-35730-1080	8-98335685-0	RECTIFIER ASSY	1		
7-3	0-0056-05252	1-81229476-0	SCREW	6		
7-4	0-33902-0090	8-98040687-0	NUT	1		
7-5	0-35719-0330	8-98352534-0	REGULATOR ASSY	1		
7-6	0-35760-0031	8-98181103-0	COVER CO	1		
7-7	0-33902-0080	8-98040690-0	NUT	3		
7-8	0-0055-04082		SCREW	2		
7-9	0-35786-0390		TERMINAL PLATE	1		
7-10	0-35927-0010	1-81217053-0	HOLDER	1		
7-11	0-35780-1048	8-98181104-0	TERMINAL ASSY	1		



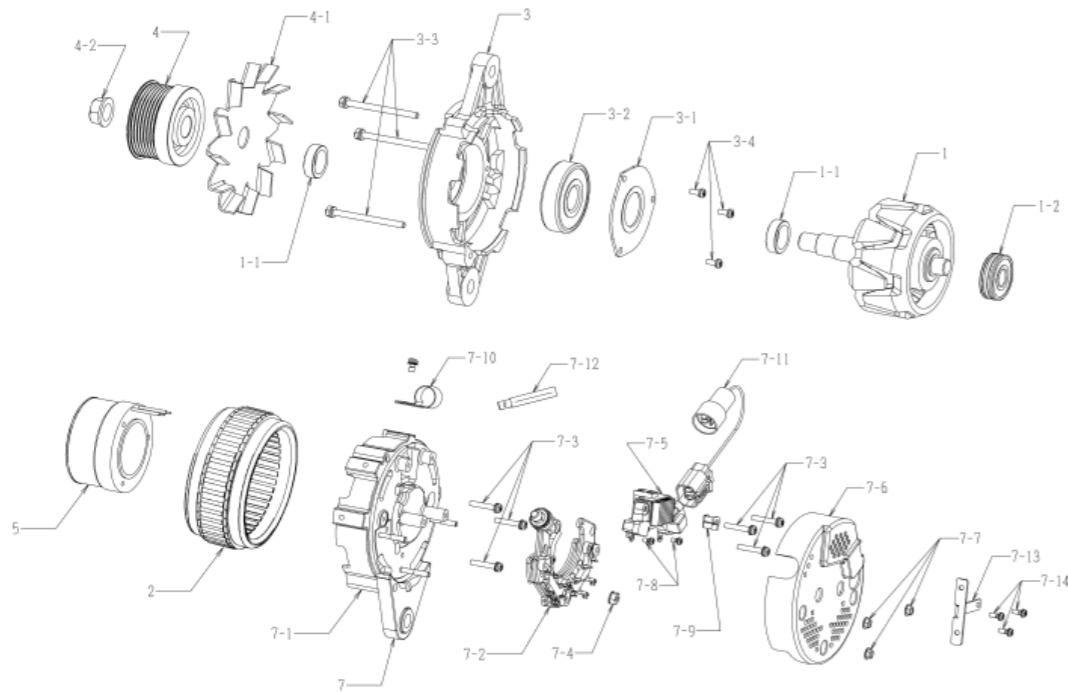
0-35000-5002

0-35000-5011 ALTERNATOR

OEM CUSTOMER	ISUZU	OEM PARTS NUMBER	8-98201083-1
NOMINAL OUT PUT	24V 60A	SUPPLY TERM	11.12~
WEIGHT	9.9kg	REGULATOR	BUILT-IN
ENGINE MODEL	6WG1-TC		
VEHICLE	EXD52		
DESIGN RECORD	5010 → 5011 CLIP ADDED		
NOTE	K TYPE V BELT 7 PEAKS (QUENCHED) CLOCKWISE ROTATION PULLEY IS DIFFERENT FROM 0-35000-5070.		

0-35000-5011 ALTERNATOR (MAKER PART NO 8-98201083-1)

No	Parts Number	Maker Parts No	Description	Qty	List Price	Note
1	0-35100-0418	8-98040638-0	ROTOR ASSY	1		
1-1	0-35923-0240	8-97382870-0	COLLAR	2		
1-2	0-09201-0980	1-81229723-0	BALL BEARING	1		REAR
2	0-35200-0508	8-98040640-0	STATOR ASSY	1		
3	0-35300-0428	8-97382872-0	F.BRACKET ASSY	1		INCLUDING 3-1, 3-2, 3-4
3-1	0-35926-0130	1-81229760-0	RETAINER	1		
3-2	0-09201-1120	1-81229758-0	BALL BEARING	1		FRONT
3-3	0-0275-06802	1-81229382-0	BOLT	3		THROUGH BOLT
3-4	1-0055-06162	1-81229469-0	SCREW	3		
4	0-35411-1248	8-98181099-0	PULLEY	1		
4-1	0-35421-0268	8-97382874-0	FAN	1		
4-2	0-09006-0730	8-98040643-0	NUT	1		
5	0-35120-0508	8-98040645-0	FIELD COIL CO	1		
7	0-35700-1238	8-98181100-0	R.BRACKET ASSY	1		INCLUDING 5, 7-1~7-5, 7-8, 7-9
7-1	0-35710-1418	8-98181101-0	REAR BRACKET CO	1		
7-2	0-35730-0858	8-98181102-0	RECTIFIER ASSY	1		
7-3	0-0056-05252	1-81229476-0	SCREW	6		
7-4	0-33902-0090	8-98040687-0	NUT	1		
7-5	0-35719-0260	8-98040688-0	REGULATOR ASSY	1		
7-6	0-35760-0031	8-98181103-0	COVER CO	1		
7-7	0-33902-0080	8-98040690-0	NUT	3		
7-8	0-0055-04082		SCREW	2		
7-9	0-35786-0390		TERMINAL PLATE	1		
7-10	0-35927-0010	1-81217053-0	HOLDER	1		
7-11	0-35780-1048	8-98181104-0	TERMINAL ASSY	1		
7-12	0-35931-0070	8-98212483-0	CLIP	1		
7-13	0-35927-0120		HOLDER	1		
7-14	1-0055-06162	1-81229469-0	SCREW	3		



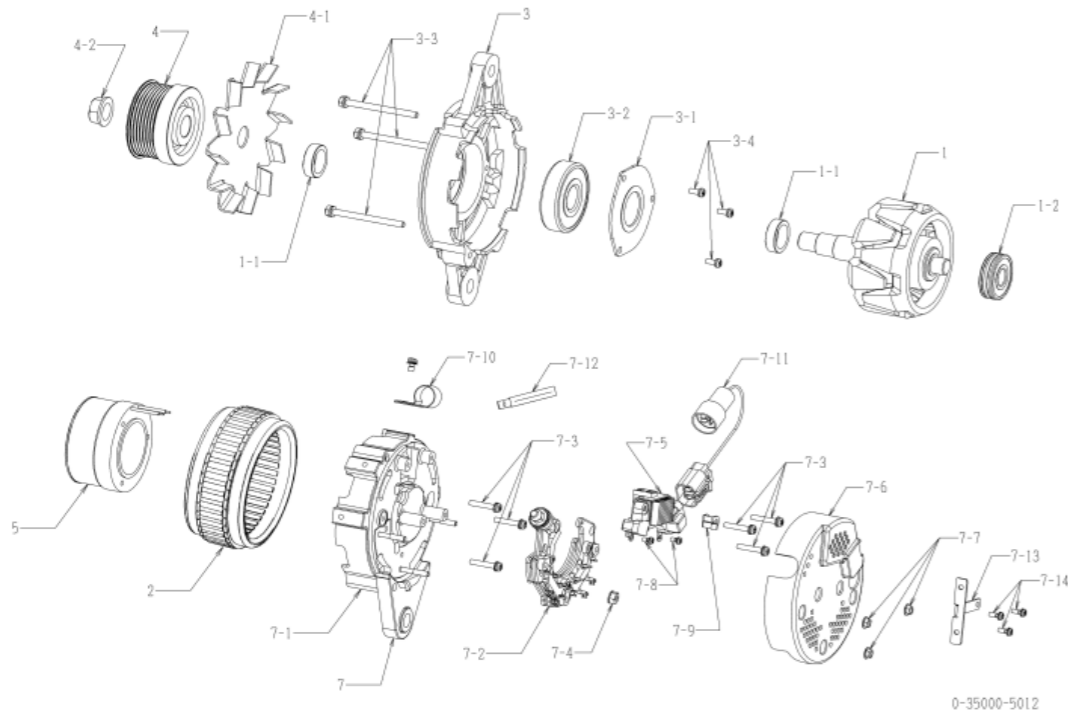
0-35000-5011

0-35000-5012 ALTERNATOR

OEM CUSTOMER	ISUZU	OEM PARTS NUMBER	8-98201083-3
NOMINAL OUT PUT	24V 60A	SUPPLY TERM	15.03~
WEIGHT	9.9kg	REGULATOR	BUILT-IN
ENGINE MODEL	6WG1-TC		
VEHICLE	EXD52		
DESIGN RECORD	5010 → 5011 CLIP ADDED 5011 → 5012 SLIDE COLLAR, INSULATE BUSH OF B TERMINAL CHANGED		
NOTE	K TYPE V BELT 7 PEAKS (QUENCHED) CLOCKWISE ROTATION		

0-35000-5012 ALTERNATOR (MAKER PART NO 8-98201083-3)

No	Parts Number	Maker Parts No	Description	Qty	List Price	Note
1	0-35100-0418	8-98040638-0	ROTOR ASSY	1		
1-1	0-35923-0240	8-97382870-0	COLLAR	2		
1-2	0-09201-0980	1-81229723-0	BALL BEARING	1		REAR
2	0-35200-0508	8-98040640-0	STATOR ASSY	1		
3	0-35300-0428	8-97382872-0	F.BRACKET ASSY	1		INCLUDING 3-1, 3-2, 3-4
3-1	0-35926-0130	1-81229760-0	RETAINER	1		
3-2	0-09201-1120	1-81229758-0	BALL BEARING	1		FRONT
3-3	0-0275-06802	1-81229382-0	BOLT	3		THROUGH BOLT
3-4	1-0055-06162	1-81229469-0	SCREW	3		
4	0-35411-1248	8-98181099-0	PULLEY	1		
4-1	0-35421-0268	8-97382874-0	FAN	1		
4-2	0-09006-0730	8-98040643-0	NUT	1		
5	0-35120-0508	8-98040645-0	FIELD COIL CO	1		
7	0-35700-1380	8-98181100-1	R.BRACKET ASSY	1		INCLUDING 5, 7-1~7-5, 7-8, 7-9
7-1	0-35710-1780	8-98191101-1	REAR BRACKET CO	1		
7-2	0-35730-1080	8-98335685-0	RECTIFIER ASSY	1		
7-3	0-0056-05252	1-81229476-0	SCREW	6		
7-4	0-33902-0090	8-98040687-0	NUT	1		
7-5	0-35719-0260	8-98040688-0	REGULATOR ASSY	1		
7-6	0-35760-0031	8-98181103-0	COVER CO	1		
7-7	0-33902-0080	8-98040690-0	NUT	3		
7-8	0-0055-04082		SCREW	2		
7-9	0-35786-0390		TERMINAL PLATE	1		
7-10	0-35927-0010	1-81217053-0	HOLDER	1		
7-11	0-35780-1048	8-98181104-0	TERMINAL ASSY	1		
7-12	0-35931-0070	8-98212483-0	CLIP	1		
7-13	0-35927-0120		HOLDER	1		
7-14	1-0055-06162	1-81229469-0	SCREW	3		

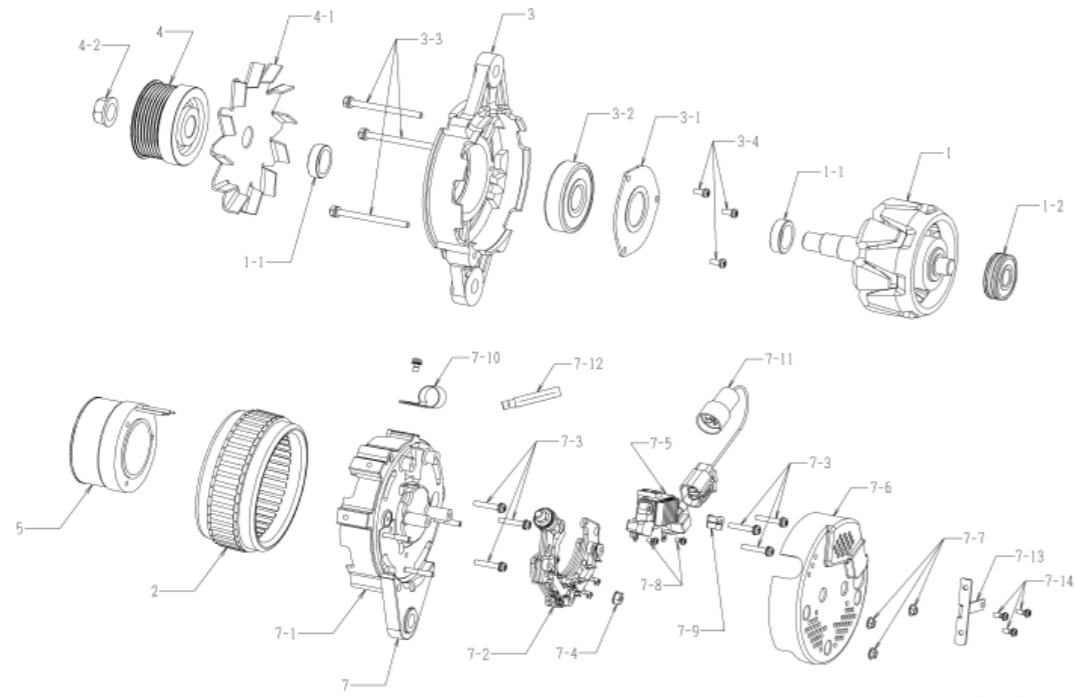


0-35000-5013 ALTERNATOR

OEM CUSTOMER	ISUZU	OEM PARTS NUMBER	8-98201083-4
NOMINAL OUT PUT	24V 60A	SUPPLY TERM	16.06~
WEIGHT	9.9kg	REGULATOR	BUILT-IN
ENGINE MODEL	6WG1-TC		
VEHICLE	EXD52		
DESIGN RECORD	5010 → 5011 CLIP ADDED 5011 → 5012 SLIDE COLLAR, INSULATE BUSH OF B TERMINAL CHANGED 5012 → 5013 REGULATOR CHANGED		
NOTE	K TYPE V BELT 7 PEAKS (QUENCHED) CLOCKWISE ROTATION		

0-35000-5013 ALTERNATOR (MAKER PART NO 8-98201083-4)

No	Parts Number	Maker Parts No	Description	Qty	List Price	Note
1	0-35100-0418	8-98040638-0	ROTOR ASSY	1		
1-1	0-35923-0240	8-97382870-0	COLLAR	2		
1-2	0-09201-0980	1-81229723-0	BALL BEARING	1		REAR
2	0-35200-0508	8-98040640-0	STATOR ASSY	1		
3	0-35300-0428	8-97382872-0	F.BRACKET ASSY	1		INCLUDING 3-1, 3-2, 3-4
3-1	0-35926-0130	1-81229760-0	RETAINER	1		
3-2	0-09201-1120	1-81229758-0	BALL BEARING	1		FRONT
3-3	0-0275-06802	1-81229382-0	BOLT	3		THROUGH BOLT
3-4	1-0055-06162	1-81229469-0	SCREW	3		
4	0-35411-1248	8-98181099-0	PULLEY	1		
4-1	0-35421-0268	8-97382874-0	FAN	1		
4-2	0-09006-0730	8-98040643-0	NUT	1		
5	0-35120-0508	8-98040645-0	FIELD COIL CO	1		
7	0-35700-1381	8-98367600-0	R.BRACKET ASSY	1		INCLUDING 5, 7-1~7-5, 7-8, 7-9
7-1	0-35710-1780	8-98191101-1	REAR BRACKET CO	1		
7-2	0-35730-1080	8-98335685-0	RECTIFIER ASSY	1		
7-3	0-0056-05252	1-81229476-0	SCREW	6		
7-4	0-33902-0090	8-98040687-0	NUT	1		
7-5	0-35719-0330	8-98352534-0	REGULATOR ASSY	1		
7-6	0-35760-0031	8-98181103-0	COVER CO	1		
7-7	0-33902-0080	8-98040690-0	NUT	3		
7-8	0-0055-04082		SCREW	2		
7-9	0-35786-0390		TERMINAL PLATE	1		
7-10	0-35927-0010	1-81217053-0	HOLDER	1		
7-11	0-35780-1048	8-98181104-0	TERMINAL ASSY	1		
7-12	0-35931-0070	8-98212483-0	CLIP	1		
7-13	0-35927-0120		HOLDER	1		
7-14	1-0055-06162	1-81229469-0	SCREW	3		



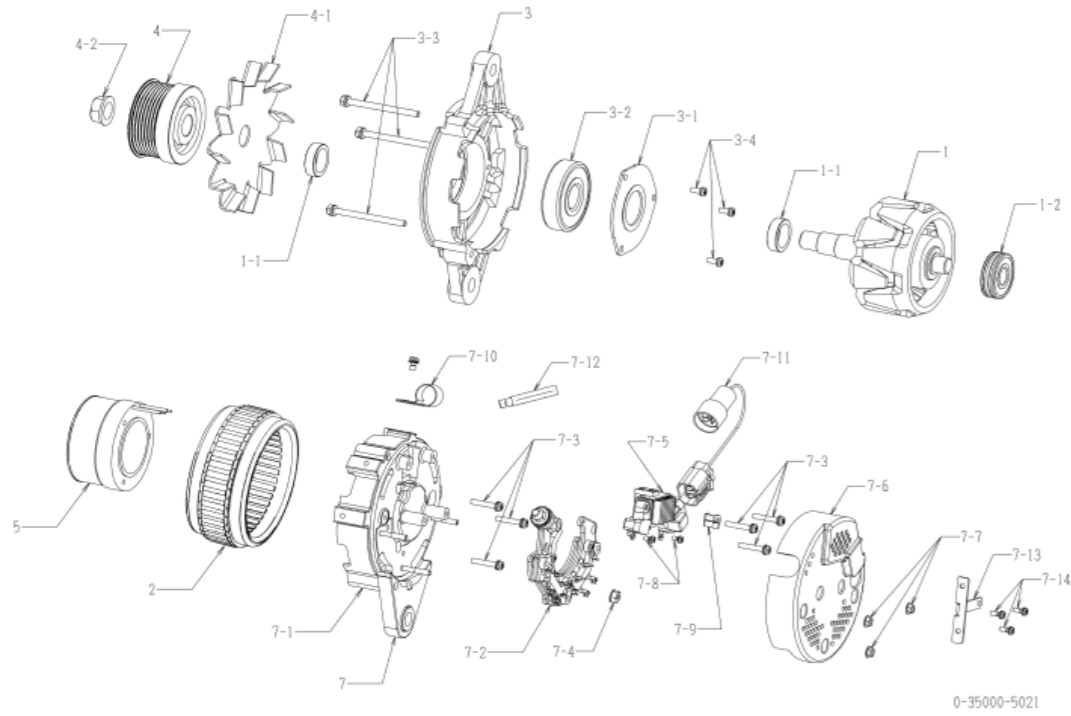
0-35000-5013

0-35000-5021 ALTERNATOR

OEM CUSTOMER	ISUZU	OEM PARTS NUMBER	8-98201084-1
NOMINAL OUT PUT	24V 50A	SUPPLY TERM	11.12~
WEIGHT	9.9kg	REGULATOR	BUILT-IN
ENGINE MODEL	6WG1-TC		
VEHICLE	EXD52		
DESIGN RECORD	5020 → 5021 CLIP ADDED		
NOTE	K TYPE V BELT 7 PEAKS (QUENCHED) CLOCKWISE ROTATION PULLEY IS DIFFERENT FROM 0-35000-5060.		

0-35000-5021 ALTERNATOR (MAKER PART NO 8-98201084-1)

No	Parts Number	Maker Parts No	Description	Qty	List Price	Note
1	0-35100-0418	8-98040638-0	ROTOR ASSY	1		
1-1	0-35923-0240	8-97382870-0	COLLAR	2		
1-2	0-09201-0980	1-81229723-0	BALL BEARING	1		REAR
2	0-35200-0498	8-98040639-0	STATOR ASSY	1		
3	0-35300-0428	8-97382872-0	F.BRACKET ASSY	1		INCLUDING 3-1, 3-2, 3-4
3-1	0-35926-0130	1-81229760-0	RETAINER	1		
3-2	0-09201-1120	1-81229758-0	BALL BEARING	1		FRONT
3-3	0-0275-06802	1-81229382-0	BOLT	3		THROUGH BOLT
3-4	1-0055-06162	1-81229469-0	SCREW	3		
4	0-35411-1248	8-98181099-0	PULLEY	1		
4-1	0-35421-0268	8-97382874-0	FAN	1		
4-2	0-09006-0730	8-98040643-0	NUT	1		
5	0-35120-0508	8-98040645-0	FIELD COIL CO	1		
7	0-35700-1238	8-98181100-0	R.BRACKET ASSY	1		INCLUDING 5, 7-1~7-5, 7-8, 7-9
7-1	0-35710-1418	8-98181101-0	REAR BRACKET CO	1		
7-2	0-35730-0858	8-98181102-0	RECTIFIER ASSY	1		
7-3	0-0056-05252	1-81229476-0	SCREW	6		
7-4	0-33902-0090	8-98040687-0	NUT	1		
7-5	0-35719-0260	8-98040688-0	REGULATOR ASSY	1		
7-6	0-35760-0031	8-98181103-0	COVER CO	1		
7-7	0-33902-0080	8-98040690-0	NUT	3		
7-8	0-0055-04082		SCREW	2		
7-9	0-35786-0390		TERMINAL PLATE	1		
7-10	0-35927-0010	1-81217053-0	HOLDER	1		
7-11	0-35780-1048	8-98181104-0	TERMINAL ASSY	1		
7-12	0-35931-0070	8-98212483-0	CLIP	1		
7-13	0-35927-0120		HOLDER	1		
7-14	1-0055-06162	1-81229469-0	SCREW	3		

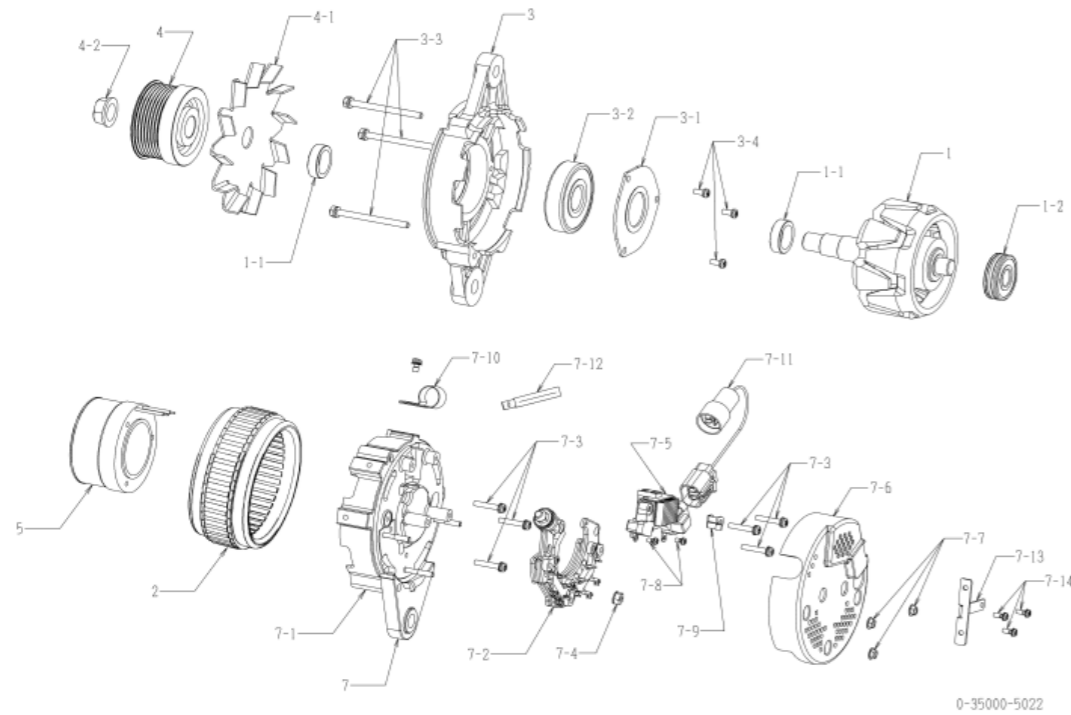


0-35000-5022 ALTERNATOR

OEM CUSTOMER	ISUZU	OEM PARTS NUMBER	8-98201084-3
NOMINAL OUT PUT	24V 50A	SUPPLY TERM	15.03~
WEIGHT	9.9kg	REGULATOR	BUILT-IN
ENGINE MODEL	6WG1-TC		
VEHICLE	EXD52		
DESIGN RECORD	5020 → 5021	CLIP ADDED	
	5021 → 5022	SLIDE COLLAR, INSULATE BUSH OF B TERMINAL CHANGED	
NOTE	K TYPE V BELT 7 PEAKS (QUENCHED) CLOCKWISE ROTATION PULLEY IS DIFFERENT FROM 0-35000-5061.		

0-35000-5022 ALTERNATOR (MAKER PART NO 8-98201084-3)

No	Parts Number	Maker Parts No	Description	Qty	List Price	Note
1	0-35100-0418	8-98040638-0	ROTOR ASSY	1		
1-1	0-35923-0240	8-97382870-0	COLLAR	2		
1-2	0-09201-0980	1-81229723-0	BALL BEARING	1		REAR
2	0-35200-0498	8-98040639-0	STATOR ASSY	1		
3	0-35300-0428	8-97382872-0	F.BRACKET ASSY	1		INCLUDING 3-1, 3-2, 3-4
3-1	0-35926-0130	1-81229760-0	RETAINER	1		
3-2	0-09201-1120	1-81229758-0	BALL BEARING	1		FRONT
3-3	0-0275-06802	1-81229382-0	BOLT	3		THROUGH BOLT
3-4	1-0055-06162	1-81229469-0	SCREW	3		
4	0-35411-1248	8-98181099-0	PULLEY	1		
4-1	0-35421-0268	8-97382874-0	FAN	1		
4-2	0-09006-0730	8-98040643-0	NUT	1		
5	0-35120-0508	8-98040645-0	FIELD COIL CO	1		
7	0-35700-1380	8-98181100-1	R.BRACKET ASSY	1		INCLUDING 5, 7-1~7-5, 7-8, 7-9
7-1	0-35710-1780	8-98191101-1	REAR BRACKET CO	1		
7-2	0-35730-1080	8-98335685-0	RECTIFIER ASSY	1		
7-3	0-0056-05252	1-81229476-0	SCREW	6		
7-4	0-33902-0090	8-98040687-0	NUT	1		
7-5	0-35719-0260	8-98040688-0	REGULATOR ASSY	1		
7-6	0-35760-0031	8-98181103-0	COVER CO	1		
7-7	0-33902-0080	8-98040690-0	NUT	3		
7-8	0-0055-04082		SCREW	2		
7-9	0-35786-0390		TERMINAL PLATE	1		
7-10	0-35927-0010	1-81217053-0	HOLDER	1		
7-11	0-35780-1048	8-98181104-0	TERMINAL ASSY	1		
7-12	0-35931-0070	8-98212483-0	CLIP	1		
7-13	0-35927-0120		HOLDER	1		
7-14	1-0055-06162	1-81229469-0	SCREW	3		

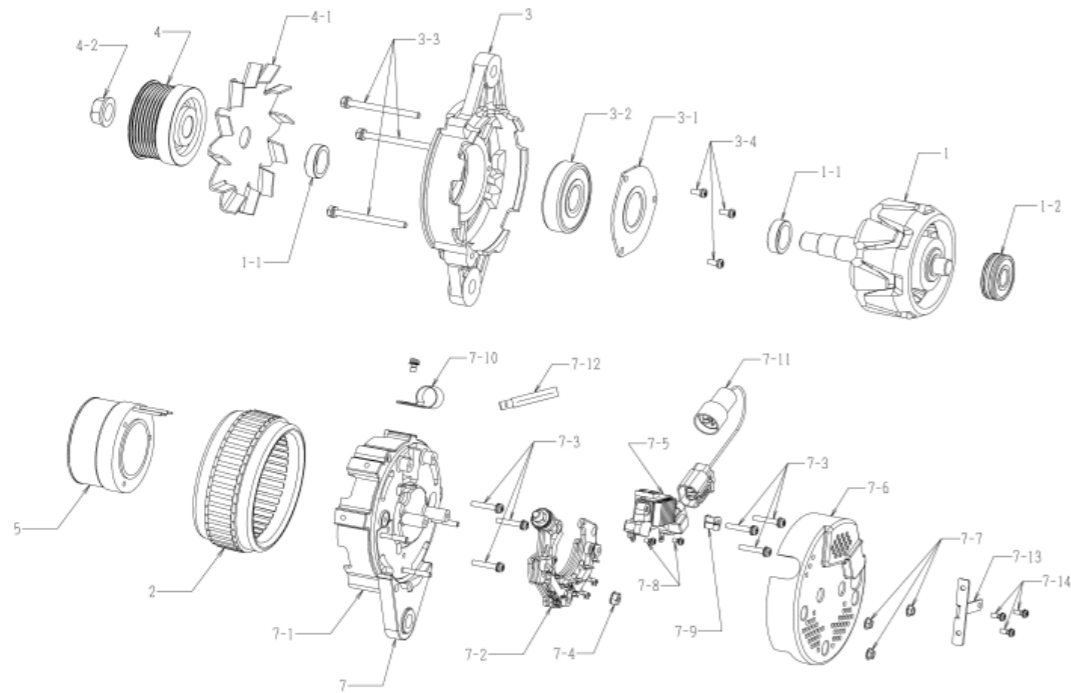


0-35000-5023 ALTERNATOR

OEM CUSTOMER	ISUZU	OEM PARTS NUMBER	8-98201084-4
NOMINAL OUT PUT	24V 50A	SUPPLY TERM	16.06~
WEIGHT	9.9kg	REGULATOR	BUILT-IN
ENGINE MODEL	6WG1-TC		
VEHICLE	EXD52		
DESIGN RECORD	5020 → 5021 CLIP ADDED 5021 → 5022 SLIDE COLLAR, INSULATE BUSH OF B TERMINAL CHANGED 5022 → 5023 REGULATOR CHANGED		
NOTE	K TYPE V BELT 7 PEAKS (QUENCHED) CLOCKWISE ROTATION PULLEY IS DIFFERENT FROM 0-35000-5062.		

0-35000-5023 ALTERNATOR (MAKER PART NO 8-98201084-4)

No	Parts Number	Maker Parts No	Description	Qty	List Price	Note
1	0-35100-0418	8-98040638-0	ROTOR ASSY	1		
1-1	0-35923-0240	8-97382870-0	COLLAR	2		
1-2	0-09201-0980	1-81229723-0	BALL BEARING	1		REAR
2	0-35200-0498	8-98040639-0	STATOR ASSY	1		
3	0-35300-0428	8-97382872-0	F.BRACKET ASSY	1		INCLUDING 3-1, 3-2, 3-4
3-1	0-35926-0130	1-81229760-0	RETAINER	1		
3-2	0-09201-1120	1-81229758-0	BALL BEARING	1		FRONT
3-3	0-0275-06802	1-81229382-0	BOLT	3		THROUGH BOLT
3-4	1-0055-06162	1-81229469-0	SCREW	3		
4	0-35411-1248	8-98181099-0	PULLEY	1		
4-1	0-35421-0268	8-97382874-0	FAN	1		
4-2	0-09006-0730	8-98040643-0	NUT	1		
5	0-35120-0508	8-98040645-0	FIELD COIL CO	1		
7	0-35700-1381	8-98367600-0	R.BRACKET ASSY	1		INCLUDING 5, 7-1~7-5, 7-8, 7-9
7-1	0-35710-1780	8-98191101-1	REAR BRACKET CO	1		
7-2	0-35730-1080	8-98335685-0	RECTIFIER ASSY	1		
7-3	0-0056-05252	1-81229476-0	SCREW	6		
7-4	0-33902-0090	8-98040687-0	NUT	1		
7-5	0-35719-0330	8-98040688-0	REGULATOR ASSY	1		
7-6	0-35760-0031	8-98181103-0	COVER CO	1		
7-7	0-33902-0080	8-98040690-0	NUT	3		
7-8	0-0055-04082		SCREW	2		
7-9	0-35786-0390		TERMINAL PLATE	1		
7-10	0-35927-0010	1-81217053-0	HOLDER	1		
7-11	0-35780-1048	8-98181104-0	TERMINAL ASSY	1		
7-12	0-35931-0070	8-98212483-0	CLIP	1		
7-13	0-35927-0120		HOLDER	1		
7-14	1-0055-06162	1-81229469-0	SCREW	3		



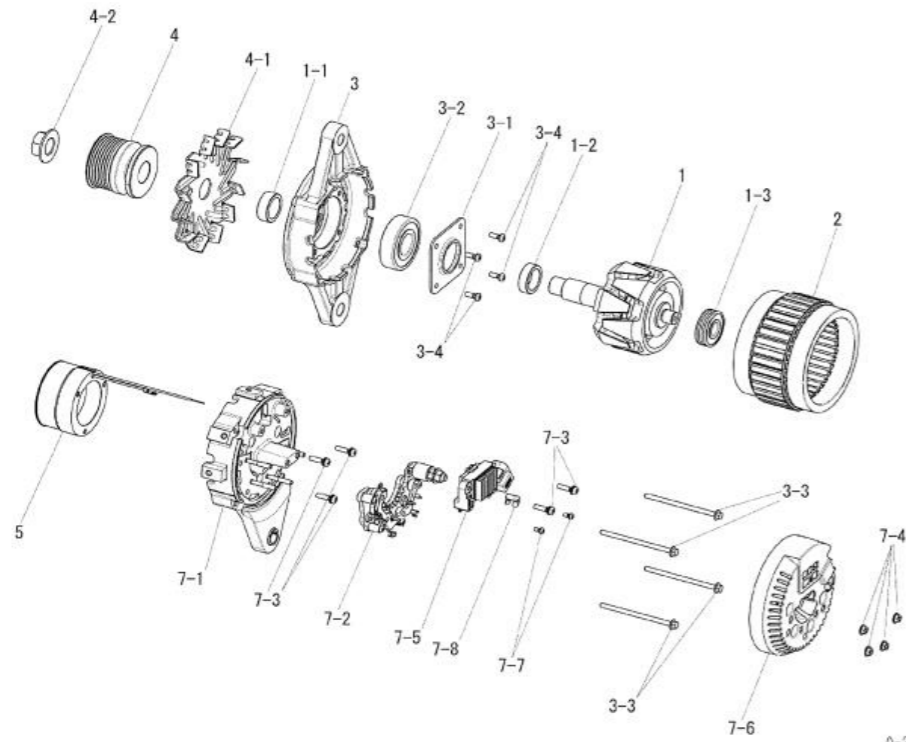
0-35000-5023

0-35000-5141 ALTERNATOR

OEM CUSTOMER	ISUZU	OEM PARTS NUMBER	8-98307701-0
NOMINAL OUT PUT	24V 90A	SUPPLY TERM	15.01~
WEIGHT	10.5kg	REGULATOR	BUILT-IN
ENGINE MODEL	4HK1-TC		
VEHICLE	TKG-FRR90		
DESIGN RECORD	5140 → 5141 REGULATOR CHANGED		
NOTE	13 TYPE V BELT SINGLE PEAK, K TYPE V BELT 7 PEAKS CLOCKWISE ROTATION		

0-35000-5141 ALTERNATOR (MAKER PART NO 8-98307701-0)

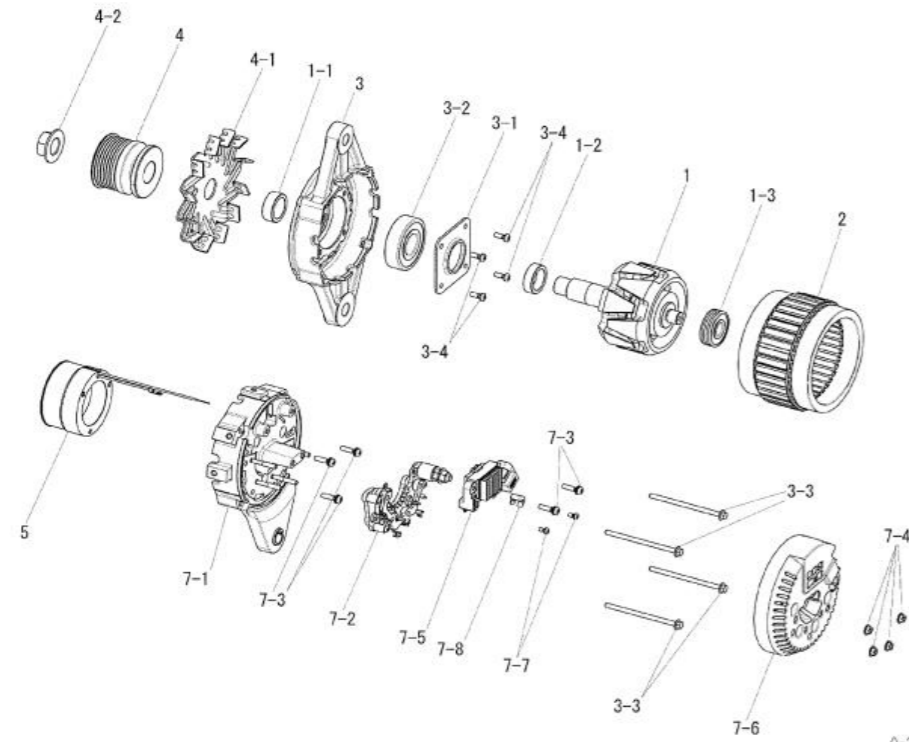
No	Parts Number	Maker Parts No	Description	Qty	List Price	Note
1	0-35100-0920	8-98260553-0	ROTOR ASSY	1		
1-1	0-35923-0500	8-98260554-0	COLLAR	1		
1-2	0-35923-0520	8-98260556-0	COLLAR	1		
1-3	0-09201-1560	8-98260557-0	BALL BEARING	1		
2	0-35200-0610	8-98260559-0	STATOR ASSY	1		
3	0-35300-0530	8-98260561-0	F.BRACKET ASSY	1		INCLUDING 3-1, 3-2, 3-4
3-1	0-35926-0220	8-98260562-0	RETAINER	1		
3-2	0-09201-1450	8-98260563-0	BALL BEARING	1		
3-3	0-09001-6040	8-98260564-0	BOLT	4		THROUGH BOLT
3-4	0-0055-05142		SCREW	4		
4	0-35411-1320	8-98274284-0	PULLEY	1		
4-1	0-35421-0310	8-98260568-0	FAN	1		
4-2	0-09006-0800	8-98260569-0	NUT	1		
5	0-35120-0600	8-98260571-0	FIELD COIL CO	1		
7-1	0-35710-1730	8-98260575-0	REAR BRACKET CO	1		
7-2	0-35730-0950	8-98260577-0	RECTIFIER ASSY	1		
7-3	0-0056-05202		SCREW	5		
7-4	0-33902-0080	8-98040690-0	NUT	4		
7-5	0-35719-0330	8-98352534-0	REGULATOR ASSY	1		
7-6	0-35760-0070	8-98260581-0	COVER CO	1		
7-7	0-0055-04082		SCREW	2		
7-8	0-35786-0390		TERMINAL PLATE	1		



0-35000-5141

0-35000-5142 ALTERNATOR

OEM CUSTOMER	ISUZU	OEM PARTS NUMBER	8-98317669-0
NOMINAL OUT PUT	24V 90A	SUPPLY TERM	16.06~
WEIGHT	10.5kg	REGULATOR	BUILT-IN
ENGINE MODEL	4HK1-TC		
VEHICLE	TKG-FRR90		
DESIGN RECORD	5140 → 5141 REGULATOR CHANGED 5141 → 5142 REGULATOR CHANGED		
NOTE	13 TYPE V BELT SINGLE PEAK, K TYPE V BELT 7 PEAKS CLOCKWISE ROTATION		



0-35000-5142

0-35000-5142 ALTERNATOR (MAKER PART NO 8-98317669-0)

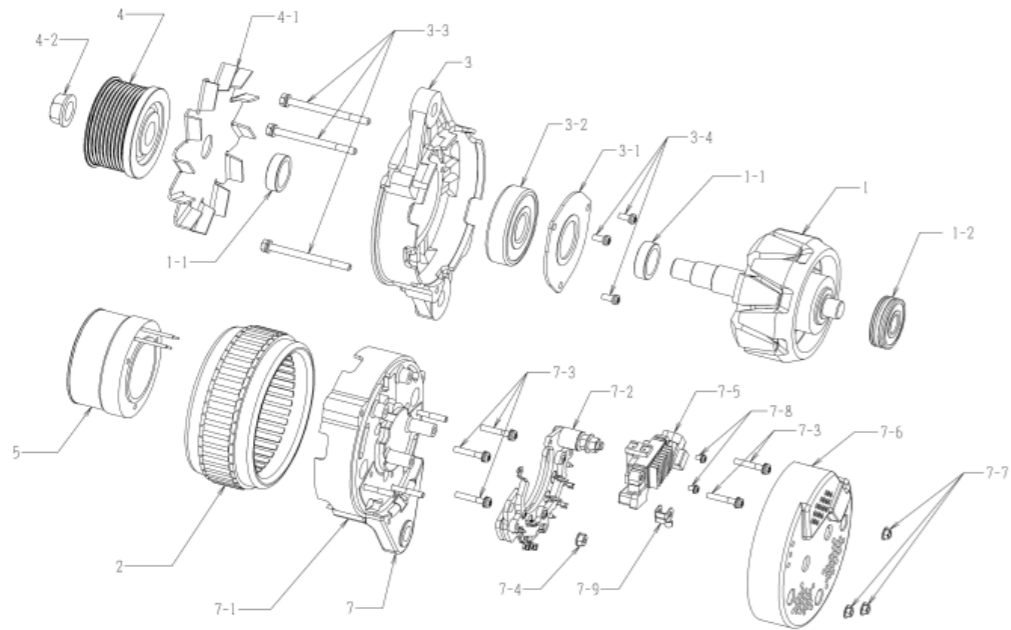
No	Parts Number	Maker Parts No	Description	Qty	List Price	Note
1	0-35100-0920	8-98260553-0	ROTOR ASSY	1		
1-1	0-35923-0500	8-98260554-0	COLLAR	1		
1-2	0-35923-0520	8-98260556-0	COLLAR	1		
1-3	0-09201-1560	8-98260557-0	BALL BEARING	1		
2	0-35200-0610	8-98260559-0	STATOR ASSY	1		
3	0-35300-0530	8-98260561-0	F.BRACKET ASSY	1		INCLUDING 3-1, 3-2, 3-4
3-1	0-35926-0220	8-98260562-0	RETAINER	1		
3-2	0-09201-1450	8-98260563-0	BALL BEARING	1		
3-3	0-09001-6040	8-98260564-0	BOLT	4		THROUGH BOLT
3-4	0-0055-05142		SCREW	4		
4	0-35411-1320	8-98274284-0	PULLEY	1		
4-1	0-35421-0310	8-98260568-0	FAN	1		
4-2	0-09006-0800	8-98260569-0	NUT	1		
5	0-35120-0600	8-98260571-0	FIELD COIL CO	1		
7-1	0-35710-1730	8-98260575-0	REAR BRACKET CO	1		
7-2	0-35730-0950	8-98260577-0	RECTIFIER ASSY	1		
7-3	0-0056-05202		SCREW	5		
7-4	0-33902-0080	8-98040690-0	NUT	4		
7-5	0-35719-0330	8-98352534-0	REGULATOR ASSY	1		
7-6	0-35760-0070	8-98260581-0	COVER CO	1		
7-7	0-0055-04082		SCREW	2		
7-8	0-35786-0390		TERMINAL PLATE	1		

0-35000-5150 ALTERNATOR

OEM CUSTOMER	ISUZU	OEM PARTS NUMBER	8-98013461-4
NOMINAL OUT PUT	24V 50A	SUPPLY TERM	13.10~
WEIGHT	9.9kg	REGULATOR	BUILT-IN
ENGINE MODEL	6HK1-TC		
VEHICLE	FRR34, FTR34		
DESIGN RECORD	4898 → 5150 PULLEY CHANGED		
NOTE	K TYPE V BELT 9 PEAKS CLOCKWISE ROTATION PULLEY IS DIFFERENT FROM 0-35000-5170.		

0-35000-5150 ALTERNATOR (MAKER PART NO 8-98013461-4)

No	Parts Number	Maker Parts No	Description	Qty	List Price	Note
1	0-35100-0418	8-98040638-0	ROTOR ASSY	1		
1-1	0-35923-0240	8-97382870-0	COLLAR	2		
1-2	0-09201-0980	1-81229723-0	BALL BEARING	1		REAR
2	0-35200-0498	8-98040639-0	STATOR ASSY	1		
3	0-35300-0428	8-97382872-0	F.BRACKET ASSY	1		INCLUDING 3-1, 3-2, 3-4
3-1	0-35926-0130	1-81229760-0	RETAINER	1		
3-2	0-09201-1120	1-81229758-0	BALL BEARING	1		FRONT
3-3	0-0275-06802	1-81229382-0	BOLT	3		THROUGH BOLT
3-4	1-0055-06162	1-81229469-0	SCREW	3		
4	0-35411-1171	8-98040641-0	PULLEY	1		
4-1	0-35421-0268	8-97382874-0	FAN	1		
4-2	0-09006-0730	8-98040643-0	NUT	1		
5	0-35120-0508	8-98040645-0	FIELD COIL CO	1		
7	0-35700-1068	8-98040684-0	R.BRACKET ASSY	1		INCLUDING 5, 7-1~7-5, 7-8, 7-9
7-1	0-35710-1418	8-98181101-0	REAR BRACKET CO	1		
7-2	0-35730-0761	8-98040686-0	RECTIFIER ASSY	1		
7-3	0-0056-05252	1-81229476-0	SCREW	5		
7-4	0-33902-0090	8-98040687-0	NUT	1		
7-5	0-35719-0260	8-98040688-0	REGULATOR ASSY	1		
7-6	0-35760-0031	8-98181103-0	COVER CO	1		
7-7	0-33902-0080	8-98040690-0	NUT	3		
7-8	0-0055-04082		SCREW	2		
7-9	0-35786-0390		TERMINAL PLATE	1		



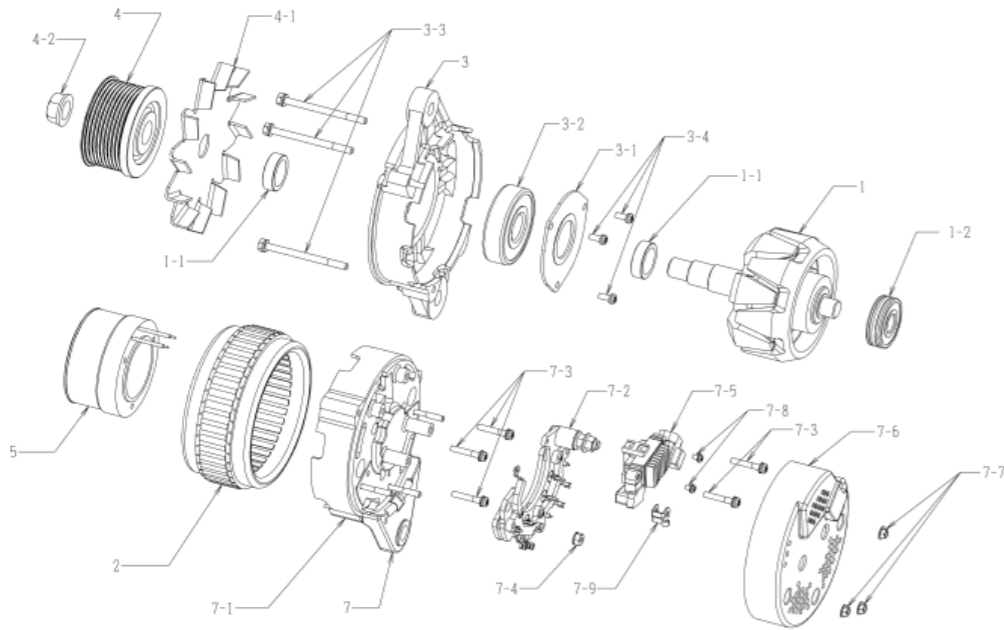
0-35000-5150

0-35000-5151 ALTERNATOR

OEM CUSTOMER	ISUZU	OEM PARTS NUMBER	8-98013461-5
NOMINAL OUT PUT	24V 50A	SUPPLY TERM	15.03~
WEIGHT	9.9kg	REGULATOR	BUILT-IN
ENGINE MODEL	6HK1-TC		
VEHICLE	FRR34, FTR34		
DESIGN RECORD	4898 → 5150	PULLEY CHANGED	
	5150 → 5151	SLIDE COLLAR CHANGED	
NOTE	K TYPE V BELT 9 PEAKS CLOCKWISE ROTATION PULLEY IS DIFFERENT FROM 0-35000-5171.		

0-35000-5151 ALTERNATOR (MAKER PART NO 8-98013461-5)

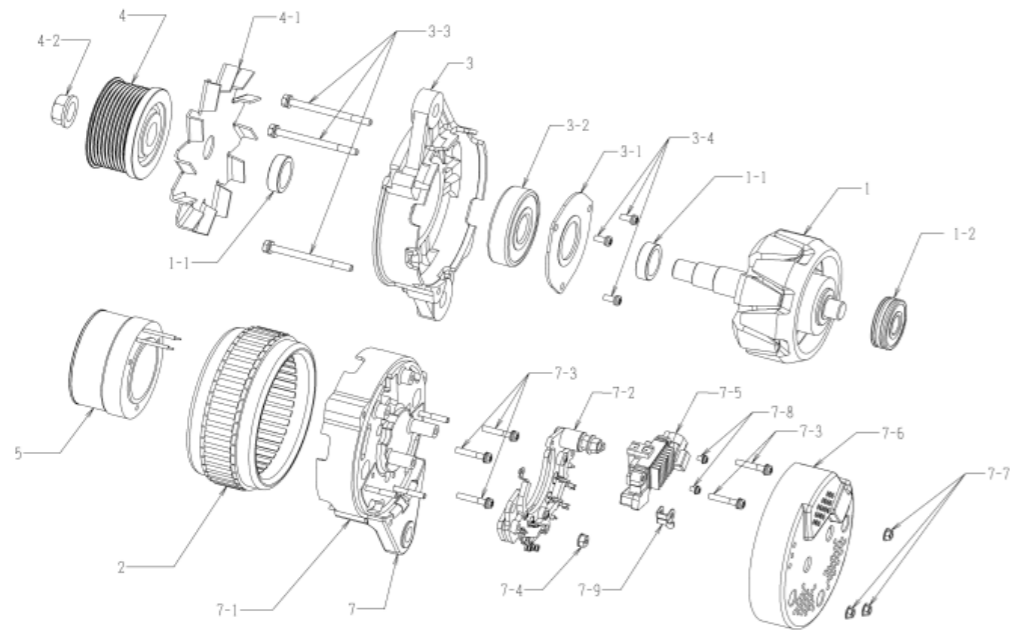
No	Parts Number	Maker Parts No	Description	Qty	List Price	Note
1	0-35100-0418	8-98040638-0	ROTOR ASSY	1		
1-1	0-35923-0240	8-97382870-0	COLLAR	2		
1-2	0-09201-0980	1-81229723-0	BALL BEARING	1		REAR
2	0-35200-0498	8-98040639-0	STATOR ASSY	1		
3	0-35300-0428	8-97382872-0	F.BRACKET ASSY	1		INCLUDING 3-1, 3-2, 3-4
3-1	0-35926-0130	1-81229760-0	RETAINER	1		
3-2	0-09201-1120	1-81229758-0	BALL BEARING	1		FRONT
3-3	0-0275-06802	1-81229382-0	BOLT	3		THROUGH BOLT
3-4	1-0055-06162	1-81229469-0	SCREW	3		
4	0-35411-1171	8-98040641-0	PULLEY	1		
4-1	0-35421-0268	8-97382874-0	FAN	1		
4-2	0-09006-0730	8-98040643-0	NUT	1		
5	0-35120-0508	8-98040645-0	FIELD COIL CO	1		
7	0-35700-1370	8-98040684-1	R.BRACKET ASSY	1		INCLUDING 5, 7-1~7-5, 7-8, 7-9
7-1	0-35710-1780	8-98191101-1	REAR BRACKET CO	1		
7-2	0-35730-0761	8-98040686-0	RECTIFIER ASSY	1		
7-3	0-0056-05252	1-81229476-0	SCREW	5		
7-4	0-33902-0090	8-98040687-0	NUT	1		
7-5	0-35719-0260	8-98040688-0	REGULATOR ASSY	1		
7-6	0-35760-0031	8-98181103-0	COVER CO	1		
7-7	0-33902-0080	8-98040690-0	NUT	3		
7-8	0-0055-04082		SCREW	2		
7-9	0-35786-0390		TERMINAL PLATE	1		



0-35000-5151

0-35000-5152 ALTERNATOR

OEM CUSTOMER	ISUZU	OEM PARTS NUMBER	8-98013461-6
NOMINAL OUT PUT	24V 50A	SUPPLY TERM	16.06~
WEIGHT	9.9kg	REGULATOR	BUILT-IN
ENGINE MODEL	6HK1-TC		
VEHICLE	FRR34, FTR34		
DESIGN RECORD	4898 → 5150 PULLEY CHANGED 5150 → 5151 SLIDE COLLAR CHANGED 5151 → 5152 REGULATOR CHANGED		
NOTE	K TYPE V BELT 9 PEAKS CLOCKWISE ROTATION PULLEY IS DIFFERENT FROM 0-35000-5172.		



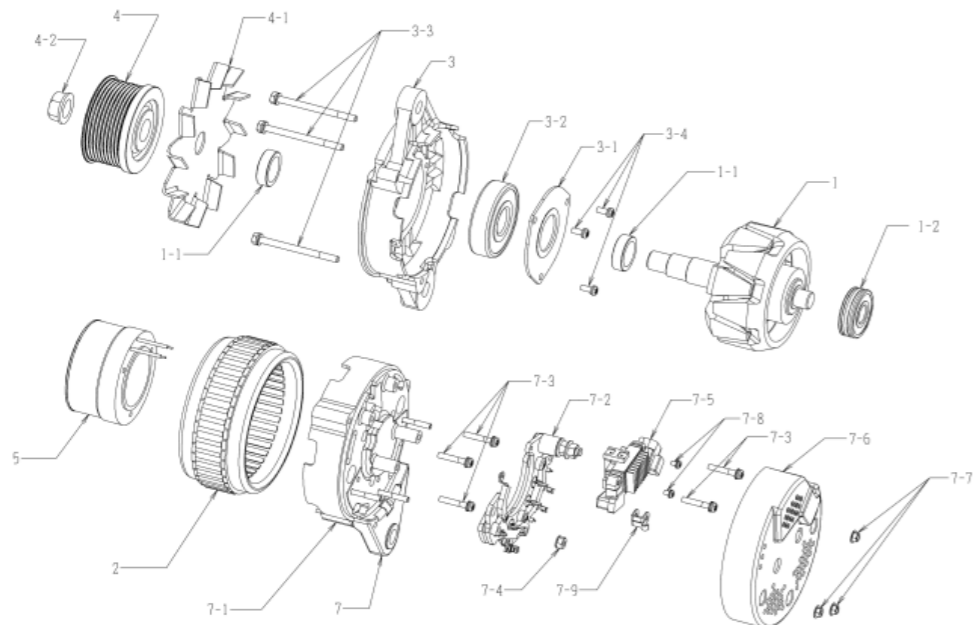
0-35000-5152

0-35000-5152 ALTERNATOR (MAKER PART NO 8-98013461-6)

No	Parts Number	Maker Parts No	Description	Qty	List Price	Note
1	0-35100-0418	8-98040638-0	ROTOR ASSY	1		
1-1	0-35923-0240	8-97382870-0	COLLAR	2		
1-2	0-09201-0980	1-81229723-0	BALL BEARING	1		REAR
2	0-35200-0498	8-98040639-0	STATOR ASSY	1		
3	0-35300-0428	8-97382872-0	F.BRACKET ASSY	1		INCLUDING 3-1, 3-2, 3-4
3-1	0-35926-0130	1-81229760-0	RETAINER	1		
3-2	0-09201-1120	1-81229758-0	BALL BEARING	1		FRONT
3-3	0-0275-06802	1-81229382-0	BOLT	3		THROUGH BOLT
3-4	1-0055-06162	1-81229469-0	SCREW	3		
4	0-35411-1171	8-98040641-0	PULLEY	1		
4-1	0-35421-0268	8-97382874-0	FAN	1		
4-2	0-09006-0730	8-98040643-0	NUT	1		
5	0-35120-0508	8-98040645-0	FIELD COIL CO	1		
7	0-35700-1371	8-98367602-0	R.BRACKET ASSY	1		INCLUDING 5, 7-1~7-5, 7-8, 7-9
7-1	0-35710-1780	8-98191101-1	REAR BRACKET CO	1		
7-2	0-35730-0761	8-98040686-0	RECTIFIER ASSY	1		
7-3	0-0056-05252	1-81229476-0	SCREW	5		
7-4	0-33902-0090	8-98040687-0	NUT	1		
7-5	0-35719-0330	8-98352534-0	REGULATOR ASSY	1		
7-6	0-35760-0031	8-98181103-0	COVER CO	1		
7-7	0-33902-0080	8-98040690-0	NUT	3		
7-8	0-0055-04082		SCREW	2		
7-9	0-35786-0390		TERMINAL PLATE	1		

0-35000-5160 ALTERNATOR

OEM CUSTOMER	ISUZU	OEM PARTS NUMBER	8-98013462-4
NOMINAL OUT PUT	24V 60A	SUPPLY TERM	13.10~
WEIGHT	9.9kg	REGULATOR	BUILT-IN
ENGINE MODEL	6HK1-TC		
VEHICLE	FRR34		
DESIGN RECORD	4908 → 5160 PULLEY CHANGED		
NOTE	K TYPE V BELT 9 PEAKS CLOCKWISE ROTATION PULLEY IS DIFFERENT FROM 0-35000-5180.		



0-35000-5160

0-35000-5160 ALTERNATOR (MAKER PART NO 8-98013462-4)

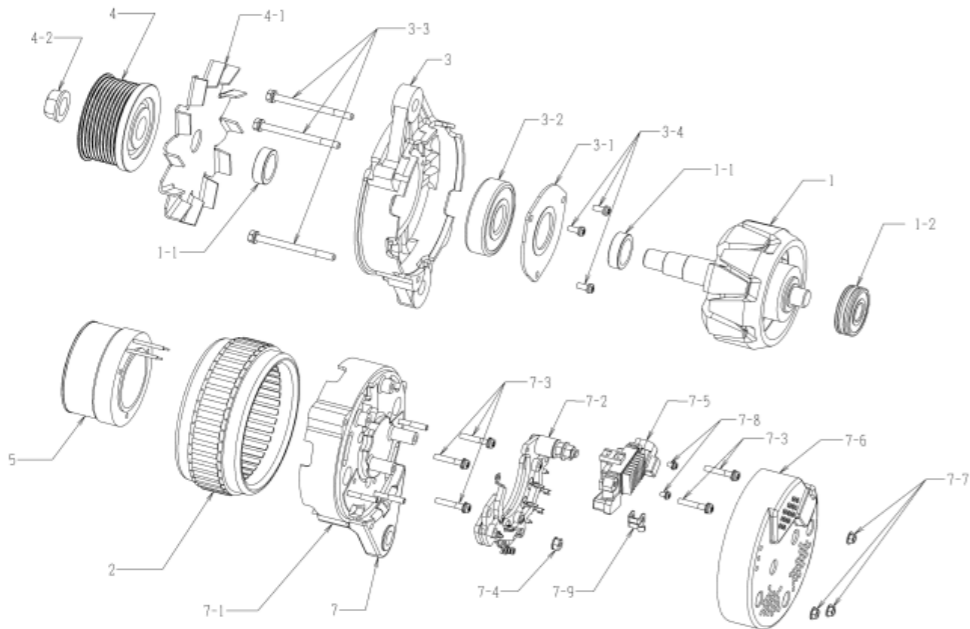
No	Parts Number	Maker Parts No	Description	Qty	List Price	Note
1	0-35100-0418	8-98040638-0	ROTOR ASSY	1		
1-1	0-35923-0240	8-97382870-0	COLLAR	2		
1-2	0-09201-0980	1-81229723-0	BALL BEARING	1		REAR
2	0-35200-0508	8-98040640-0	STATOR ASSY	1		
3	0-35300-0428	8-97382872-0	F.BRACKET ASSY	1		INCLUDING 3-1, 3-2, 3-4
3-1	0-35926-0130	1-81229760-0	RETAINER	1		
3-2	0-09201-1120	1-81229758-0	BALL BEARING	1		FRONT
3-3	0-0275-06802	1-81229382-0	BOLT	3		THROUGH BOLT
3-4	1-0055-06162	1-81229469-0	SCREW	3		
4	0-35411-1171	8-98040641-0	PULLEY	1		
4-1	0-35421-0268	8-97382874-0	FAN	1		
4-2	0-09006-0730	8-98040643-0	NUT	1		
5	0-35120-0508	8-98040645-0	FIELD COIL CO	1		
7	0-35700-1068	8-98040684-0	R.BRACKET ASSY	1		INCLUDING 5, 7-1~7-5, 7-8, 7-9
7-1	0-35710-1418	8-98181101-0	REAR BRACKET CO	1		
7-2	0-35730-0761	8-98040686-0	RECTIFIER ASSY	1		
7-3	0-0056-05252	1-81229476-0	SCREW	5		
7-4	0-33902-0090	8-98040687-0	NUT	1		
7-5	0-35719-0260	8-98040688-0	REGULATOR ASSY	1		
7-6	0-35760-0031	8-98181103-0	COVER CO	1		
7-7	0-33902-0080	8-98040690-0	NUT	3		
7-8	0-0055-04082		SCREW	2		
7-9	0-35786-0390		TERMINAL PLATE	1		

0-35000-5161 ALTERNATOR

OEM CUSTOMER	ISUZU	OEM PARTS NUMBER	8-98013462-5
NOMINAL OUT PUT	24V 60A	SUPPLY TERM	15.03~
WEIGHT	9.9kg	REGULATOR	BUILT-IN
ENGINE MODEL	6HK1-TC		
VEHICLE	FRR34		
DESIGN RECORD	4908 → 5160	PULLEY CHANGED	
	5160 → 5161	SLIDE COLLAR CHANGED	
NOTE	K TYPE V BELT 9 PEAKS CLOCKWISE ROTATION PULLEY IS DIFFERENT FROM 0-35000-5181.		

0-35000-5161 ALTERNATOR (MAKER PART NO 8-98013462-5)

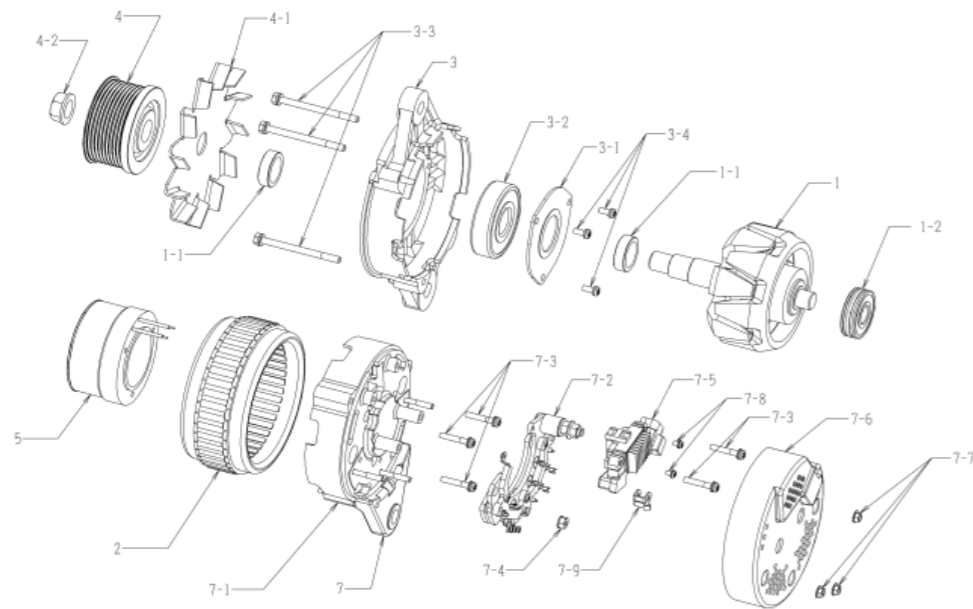
No	Parts Number	Maker Parts No	Description	Qty	List Price	Note
1	0-35100-0418	8-98040638-0	ROTOR ASSY	1		
1-1	0-35923-0240	8-97382870-0	COLLAR	2		
1-2	0-09201-0980	1-81229723-0	BALL BEARING	1		REAR
2	0-35200-0508	8-98040640-0	STATOR ASSY	1		
3	0-35300-0428	8-97382872-0	F.BRACKET ASSY	1		INCLUDING 3-1, 3-2, 3-4
3-1	0-35926-0130	1-81229760-0	RETAINER	1		
3-2	0-09201-1120	1-81229758-0	BALL BEARING	1		FRONT
3-3	0-0275-06802	1-81229382-0	BOLT	3		THROUGH BOLT
3-4	1-0055-06162	1-81229469-0	SCREW	3		
4	0-35411-1171	8-98040641-0	PULLEY	1		
4-1	0-35421-0268	8-97382874-0	FAN	1		
4-2	0-09006-0730	8-98040643-0	NUT	1		
5	0-35120-0508	8-98040645-0	FIELD COIL CO	1		
7	0-35700-1370	8-98040684-1	R.BRACKET ASSY	1		INCLUDING 5, 7-1~7-5, 7-8, 7-9
7-1	0-35710-1780	8-98191101-1	REAR BRACKET CO	1		
7-2	0-35730-0761	8-98040686-0	RECTIFIER ASSY	1		
7-3	0-0056-05252	1-81229476-0	SCREW	5		
7-4	0-33902-0090	8-98040687-0	NUT	1		
7-5	0-35719-0260	8-98040688-0	REGULATOR ASSY	1		
7-6	0-35760-0031	8-98181103-0	COVER CO	1		
7-7	0-33902-0080	8-98040690-0	NUT	3		
7-8	0-0055-04082		SCREW	2		
7-9	0-35786-0390		TERMINAL PLATE	1		



0-35000-5161

0-35000-5162 ALTERNATOR

OEM CUSTOMER	ISUZU	OEM PARTS NUMBER	8-98013462-6
NOMINAL OUT PUT	24V 60A	SUPPLY TERM	16.06~
WEIGHT	9.9kg	REGULATOR	BUILT-IN
ENGINE MODEL	6HK1-TC		
VEHICLE	FRR34		
DESIGN RECORD	4908 → 5160 PULLEY CHANGED 5160 → 5161 SLIDE COLLAR CHANGED 5161 → 5162 REGULATOR CHANGED		
NOTE	K TYPE V BELT 9 PEAKS CLOCKWISE ROTATION PULLEY IS DIFFERENT FROM 0-35000-5182.		



0-35000-5162

0-35000-5162 ALTERNATOR (MAKER PART NO 8-98013462-6)

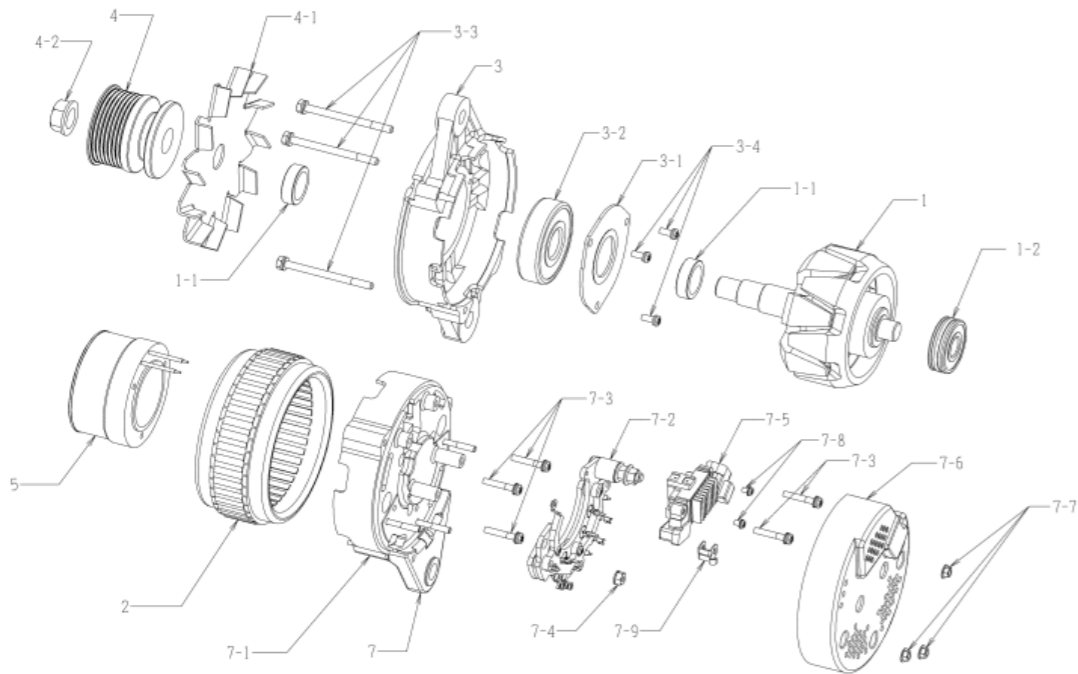
No	Parts Number	Maker Parts No	Description	Qty	List Price	Note
1	0-35100-0418	8-98040638-0	ROTOR ASSY	1		
1-1	0-35923-0240	8-97382870-0	COLLAR	2		
1-2	0-09201-0980	1-81229723-0	BALL BEARING	1		REAR
2	0-35200-0508	8-98040640-0	STATOR ASSY	1		
3	0-35300-0428	8-97382872-0	F.BRACKET ASSY	1		INCLUDING 3-1, 3-2, 3-4
3-1	0-35926-0130	1-81229760-0	RETAINER	1		
3-2	0-09201-1120	1-81229758-0	BALL BEARING	1		FRONT
3-3	0-0275-06802	1-81229382-0	BOLT	3		THROUGH BOLT
3-4	1-0055-06162	1-81229469-0	SCREW	3		
4	0-35411-1171	8-98040641-0	PULLEY	1		
4-1	0-35421-0268	8-97382874-0	FAN	1		
4-2	0-09006-0730	8-98040643-0	NUT	1		
5	0-35120-0508	8-98040645-0	FIELD COIL CO	1		
7	0-35700-1371	8-98367602-0	R.BRACKET ASSY	1		INCLUDING 5, 7-1~7-5, 7-8, 7-9
7-1	0-35710-1780	8-98191101-1	REAR BRACKET CO	1		
7-2	0-35730-0761	8-98040686-0	RECTIFIER ASSY	1		
7-3	0-0056-05252	1-81229476-0	SCREW	5		
7-4	0-33902-0090	8-98040687-0	NUT	1		
7-5	0-35719-0330	8-98352534-0	REGULATOR ASSY	1		
7-6	0-35760-0031	8-98181103-0	COVER CO	1		
7-7	0-33902-0080	8-98040690-0	NUT	3		
7-8	0-0055-04082		SCREW	2		
7-9	0-35786-0390		TERMINAL PLATE	1		

0-35000-5170 ALTERNATOR

OEM CUSTOMER	ISUZU	OEM PARTS NUMBER	8-98013455-3
NOMINAL OUT PUT	24V 50A	SUPPLY TERM	13.10~
WEIGHT	9.8kg	REGULATOR	BUILT-IN
ENGINE MODEL	4HK1-TC		
VEHICLE	FRR90		
DESIGN RECORD	4918 → 5170 PULLEY CHANGED		
NOTE	13 TYPE V BELT SINGLE PEAK, K TYPE V BELT 7 PEAKS CLOCKWISE ROTATION PULLEY IS DIFFERENT FROM 0-35000-5150.		

0-35000-5170 ALTERNATOR (MAKER PART NO 8-98013455-3)

No	Parts Number	Maker Parts No	Description	Qty	List Price	Note
1	0-35100-0418	8-98040638-0	ROTOR ASSY	1		
1-1	0-35923-0240	8-97382870-0	COLLAR	2		
1-2	0-09201-0980	1-81229723-0	BALL BEARING	1		REAR
2	0-35200-0498	8-98040639-0	STATOR ASSY	1		
3	0-35300-0428	8-97382872-0	F.BRACKET ASSY	1		INCLUDING 3-1, 3-2, 3-4
3-1	0-35926-0130	1-81229760-0	RETAINER	1		
3-2	0-09201-1120	1-81229758-0	BALL BEARING	1		FRONT
3-3	0-0275-06802	1-81229382-0	BOLT	3		THROUGH BOLT
3-4	1-0055-06162	1-81229469-0	SCREW	3		
4	0-35411-1211	8-98048005-0	PULLEY	1		
4-1	0-35421-0268	8-97382874-0	FAN	1		
4-2	0-09006-0730	8-98040643-0	NUT	1		
5	0-35120-0508	8-98040645-0	FIELD COIL CO	1		
7	0-35700-1068	8-98040684-0	R.BRACKET ASSY	1		INCLUDING 5, 7-1~7-5, 7-8, 7-9
7-1	0-35710-1418	8-98181101-0	REAR BRACKET CO	1		
7-2	0-35730-0761	8-98040686-0	RECTIFIER ASSY	1		
7-3	0-0056-05252	1-81229476-0	SCREW	5		
7-4	0-33902-0090	8-98040687-0	NUT	1		
7-5	0-35719-0260	8-98040688-0	REGULATOR ASSY	1		
7-6	0-35760-0031	8-98181103-0	COVER CO	1		
7-7	0-33902-0080	8-98040690-0	NUT	3		
7-8	0-0055-04082		SCREW	2		
7-9	0-35786-0390		TERMINAL PLATE	1		



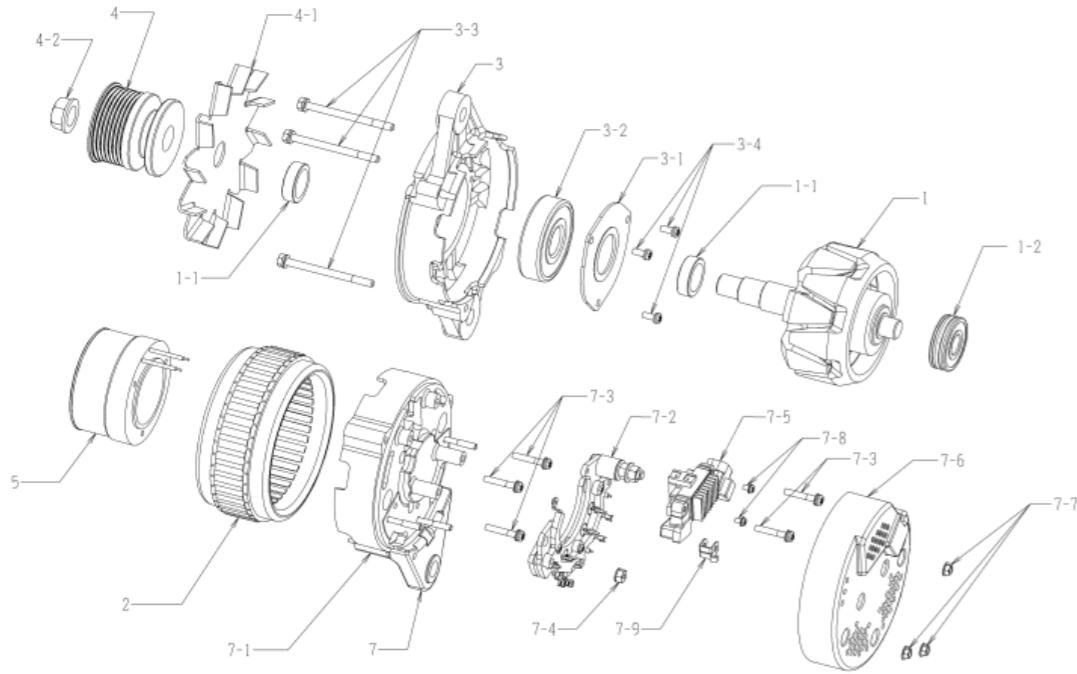
0-35000-5170

0-35000-5171 ALTERNATOR

OEM CUSTOMER	ISUZU	OEM PARTS NUMBER	8-98013455-4
NOMINAL OUT PUT	24V 50A	SUPPLY TERM	15.03~
WEIGHT	9.8kg	REGULATOR	BUILT-IN
ENGINE MODEL	4HK1-TC		
VEHICLE	FRR90		
DESIGN RECORD	4918 → 5170	PULLEY CHANGED	
	5170 → 5171	SLIDE COLLAR CHANGED	
NOTE	13 TYPE V BELT SINGLE PEAK, K TYPE V BELT 7 PEAKS CLOCKWISE ROTATION PULLEY IS DIFFERENT FROM 0-35000-5151.		

0-35000-5171 ALTERNATOR (MAKER PART NO 8-98013455-4)

No	Parts Number	Maker Parts No	Description	Qty	List Price	Note
1	0-35100-0418	8-98040638-0	ROTOR ASSY	1		
1-1	0-35923-0240	8-97382870-0	COLLAR	2		
1-2	0-09201-0980	1-81229723-0	BALL BEARING	1		REAR
2	0-35200-0498	8-98040639-0	STATOR ASSY	1		
3	0-35300-0428	8-97382872-0	F.BRACKET ASSY	1		INCLUDING 3-1, 3-2, 3-4
3-1	0-35926-0130	1-81229760-0	RETAINER	1		
3-2	0-09201-1120	1-81229758-0	BALL BEARING	1		FRONT
3-3	0-0275-06802	1-81229382-0	BOLT	3		THROUGH BOLT
3-4	1-0055-06162	1-81229469-0	SCREW	3		
4	0-35411-1211	8-98048005-0	PULLEY	1		
4-1	0-35421-0268	8-97382874-0	FAN	1		
4-2	0-09006-0730	8-98040643-0	NUT	1		
5	0-35120-0508	8-98040645-0	FIELD COIL CO	1		
7	0-35700-1370	8-98040684-1	R.BRACKET ASSY	1		INCLUDING 5, 7-1~7-5, 7-8, 7-9
7-1	0-35710-1780	8-98191101-1	REAR BRACKET CO	1		
7-2	0-35730-0761	8-98040686-0	RECTIFIER ASSY	1		
7-3	0-0056-05252	1-81229476-0	SCREW	5		
7-4	0-33902-0090	8-98040687-0	NUT	1		
7-5	0-35719-0260	8-98040688-0	REGULATOR ASSY	1		
7-6	0-35760-0031	8-98181103-0	COVER CO	1		
7-7	0-33902-0080	8-98040690-0	NUT	3		
7-8	0-0055-04082		SCREW	2		
7-9	0-35786-0390		TERMINAL PLATE	1		



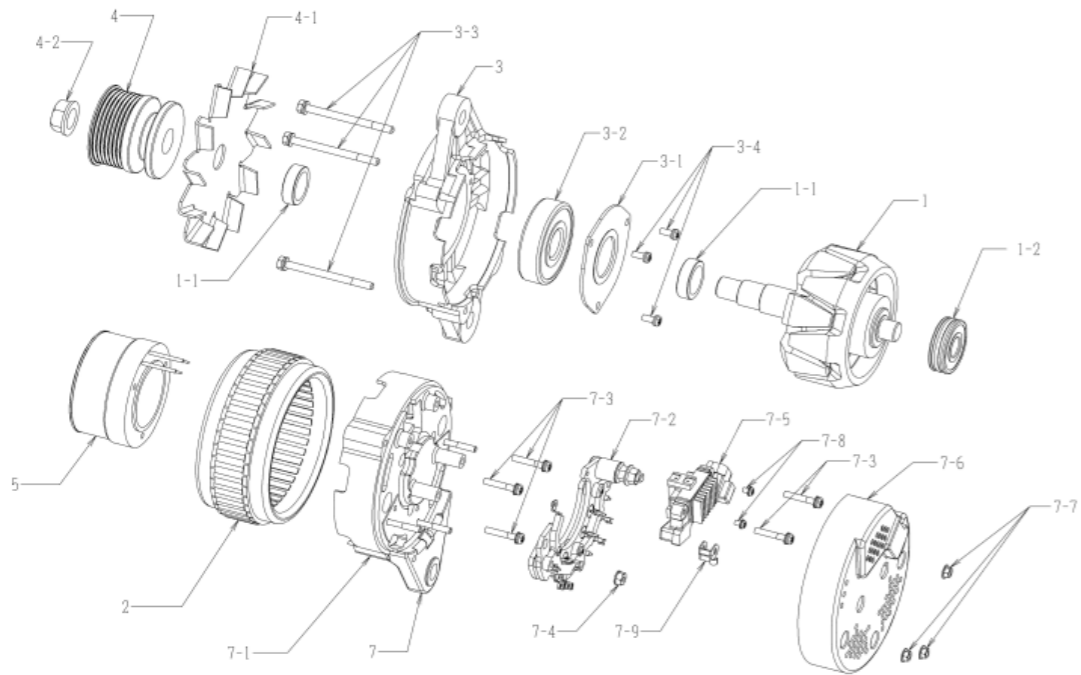
0-35000-5171

0-35000-5172 ALTERNATOR

OEM CUSTOMER	ISUZU	OEM PARTS NUMBER	8-98013455-5
NOMINAL OUT PUT	24V 50A	SUPPLY TERM	16.06~
WEIGHT	9.8kg	REGULATOR	BUILT-IN
ENGINE MODEL	4HK1-TC		
VEHICLE	FRR90		
DESIGN RECORD	4918 → 5170 PULLEY CHANGED 5170 → 5171 SLIDE COLLAR CHANGED 5171 → 5172 REGULATOR CHANGED		
NOTE	13 TYPE V BELT SINGLE PEAK, K TYPE V BELT 7 PEAKS CLOCKWISE ROTATION PULLEY IS DIFFERENT FROM 0-35000-5152.		

0-35000-5172 ALTERNATOR (MAKER PART NO 8-98013455-5)

No	Parts Number	Maker Parts No	Description	Qty	List Price	Note
1	0-35100-0418	8-98040638-0	ROTOR ASSY	1		
1-1	0-35923-0240	8-97382870-0	COLLAR	2		
1-2	0-09201-0980	1-81229723-0	BALL BEARING	1		REAR
2	0-35200-0498	8-98040639-0	STATOR ASSY	1		
3	0-35300-0428	8-97382872-0	F.BRACKET ASSY	1		INCLUDING 3-1, 3-2, 3-4
3-1	0-35926-0130	1-81229760-0	RETAINER	1		
3-2	0-09201-1120	1-81229758-0	BALL BEARING	1		FRONT
3-3	0-0275-06802	1-81229382-0	BOLT	3		THROUGH BOLT
3-4	1-0055-06162	1-81229469-0	SCREW	3		
4	0-35411-1211	8-98048005-0	PULLEY	1		
4-1	0-35421-0268	8-97382874-0	FAN	1		
4-2	0-09006-0730	8-98040643-0	NUT	1		
5	0-35120-0508	8-98040645-0	FIELD COIL CO	1		
7	0-35700-1371	8-98367602-0	R.BRACKET ASSY	1		INCLUDING 5, 7-1~7-5, 7-8, 7-9
7-1	0-35710-1780	8-98191101-1	REAR BRACKET CO	1		
7-2	0-35730-0761	8-98040686-0	RECTIFIER ASSY	1		
7-3	0-0056-05252	1-81229476-0	SCREW	5		
7-4	0-33902-0090	8-98040687-0	NUT	1		
7-5	0-35719-0330	8-98352534-0	REGULATOR ASSY	1		
7-6	0-35760-0031	8-98181103-0	COVER CO	1		
7-7	0-33902-0080	8-98040690-0	NUT	3		
7-8	0-0055-04082		SCREW	2		
7-9	0-35786-0390		TERMINAL PLATE	1		



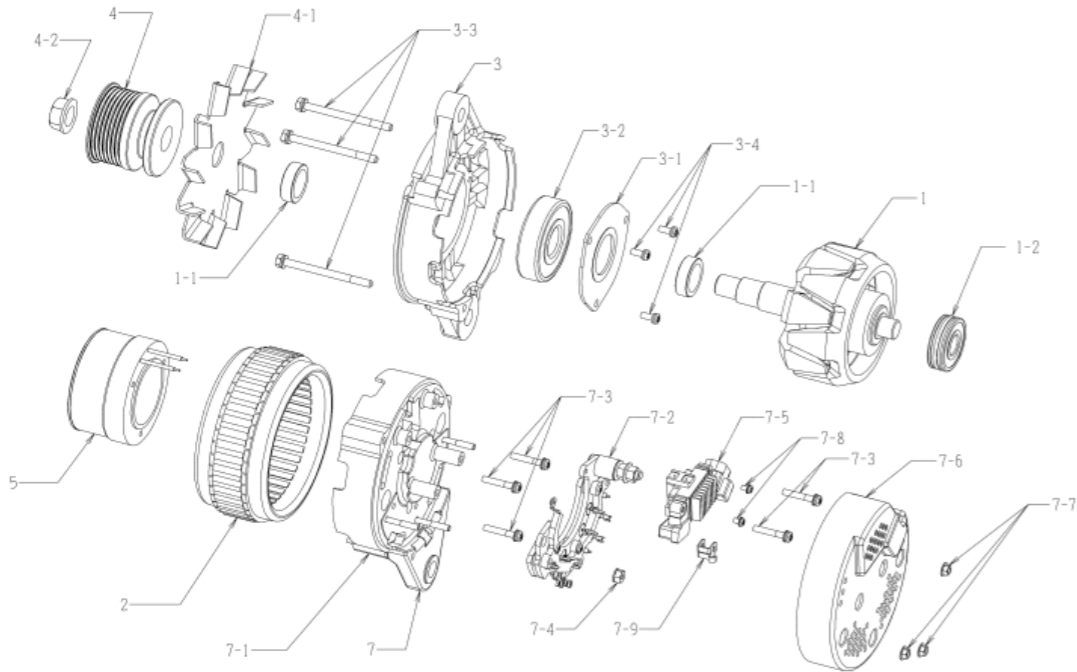
0-35000-5172

0-35000-5180 ALTERNATOR

OEM CUSTOMER	ISUZU	OEM PARTS NUMBER	8-98013456-3
NOMINAL OUT PUT	24V 60A	SUPPLY TERM	13.10~
WEIGHT	9.8kg	REGULATOR	BUILT-IN
ENGINE MODEL	4HK1-TC		
VEHICLE	FRR90		
DESIGN RECORD	4928 → 5180 PULLEY CHANGED		
NOTE	13 TYPE V BELT SINGLE PEAK, K TYPE V BELT 7 PEAKS CLOCKWISE ROTATION PULLEY IS DIFFERENT FROM 0-35000-5160.		

0-35000-5180 ALTERNATOR (MAKER PART NO 8-98013456-3)

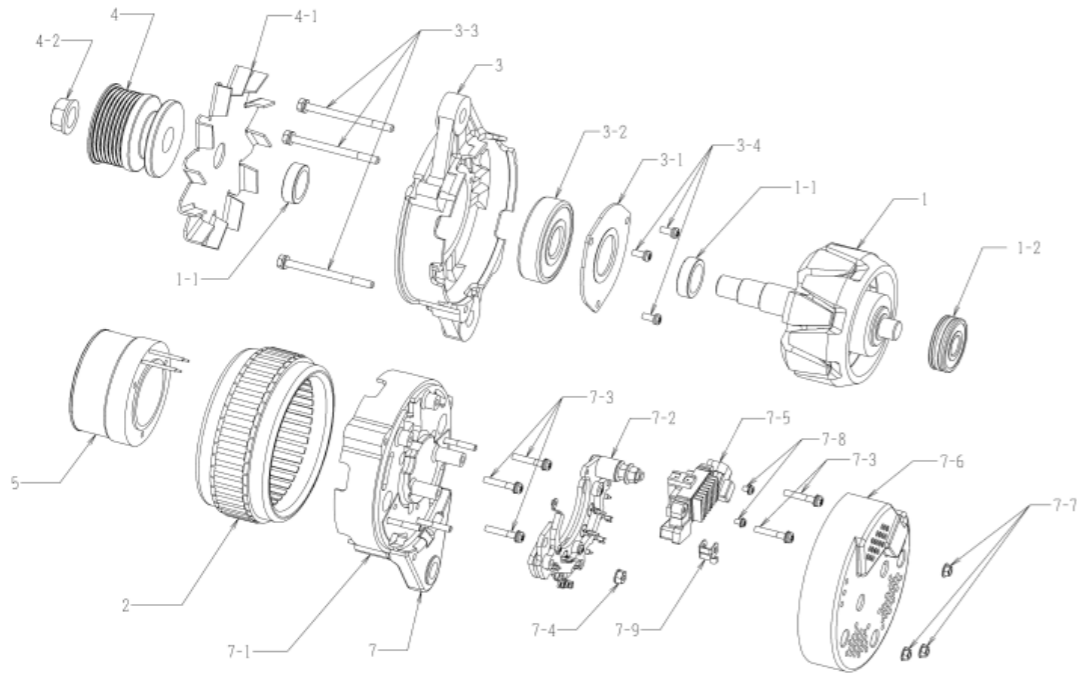
No	Parts Number	Maker Parts No	Description	Qty	List Price	Note
1	0-35100-0418	8-98040638-0	ROTOR ASSY	1		
1-1	0-35923-0240	8-97382870-0	COLLAR	2		
1-2	0-09201-0980	1-81229723-0	BALL BEARING	1		REAR
2	0-35200-0508	8-98040640-0	STATOR ASSY	1		
3	0-35300-0428	8-97382872-0	F.BRACKET ASSY	1		INCLUDING 3-1, 3-2, 3-4
3-1	0-35926-0130	1-81229760-0	RETAINER	1		
3-2	0-09201-1120	1-81229758-0	BALL BEARING	1		FRONT
3-3	0-0275-06802	1-81229382-0	BOLT	3		THROUGH BOLT
3-4	1-0055-06162	1-81229469-0	SCREW	3		
4	0-35411-1211	8-98048005-0	PULLEY	1		
4-1	0-35421-0268	8-97382874-0	FAN	1		
4-2	0-09006-0730	8-98040643-0	NUT	1		
5	0-35120-0508	8-98040645-0	FIELD COIL CO	1		
7	0-35700-1068	8-98040684-0	R.BRACKET ASSY	1		INCLUDING 5, 7-1~7-5, 7-8, 7-9
7-1	0-35710-1418	8-98181101-0	REAR BRACKET CO	1		
7-2	0-35730-0761	8-98040686-0	RECTIFIER ASSY	1		
7-3	0-0056-05252	1-81229476-0	SCREW	5		
7-4	0-33902-0090	8-98040687-0	NUT	1		
7-5	0-35719-0260	8-98040688-0	REGULATOR ASSY	1		
7-6	0-35760-0031	8-98181103-0	COVER CO	1		
7-7	0-33902-0080	8-98040690-0	NUT	3		
7-8	0-0055-04082		SCREW	2		
7-9	0-35786-0390		TERMINAL PLATE	1		



0-35000-5180

0-35000-5181 ALTERNATOR

OEM CUSTOMER	ISUZU	OEM PARTS NUMBER	8-98013456-4
NOMINAL OUT PUT	24V 60A	SUPPLY TERM	15.03~
WEIGHT	9.8kg	REGULATOR	BUILT-IN
ENGINE MODEL	4HK1-TC		
VEHICLE	FRR90		
DESIGN RECORD	4928 → 5180	PULLEY CHANGED	
	5180 → 5181	SLIDE COLLAR CHANGED	
NOTE	13 TYPE V BELT SINGLE PEAK, K TYPE V BELT 7 PEAKS CLOCKWISE ROTATION PULLEY IS DIFFERENT FROM 0-35000-5161.		



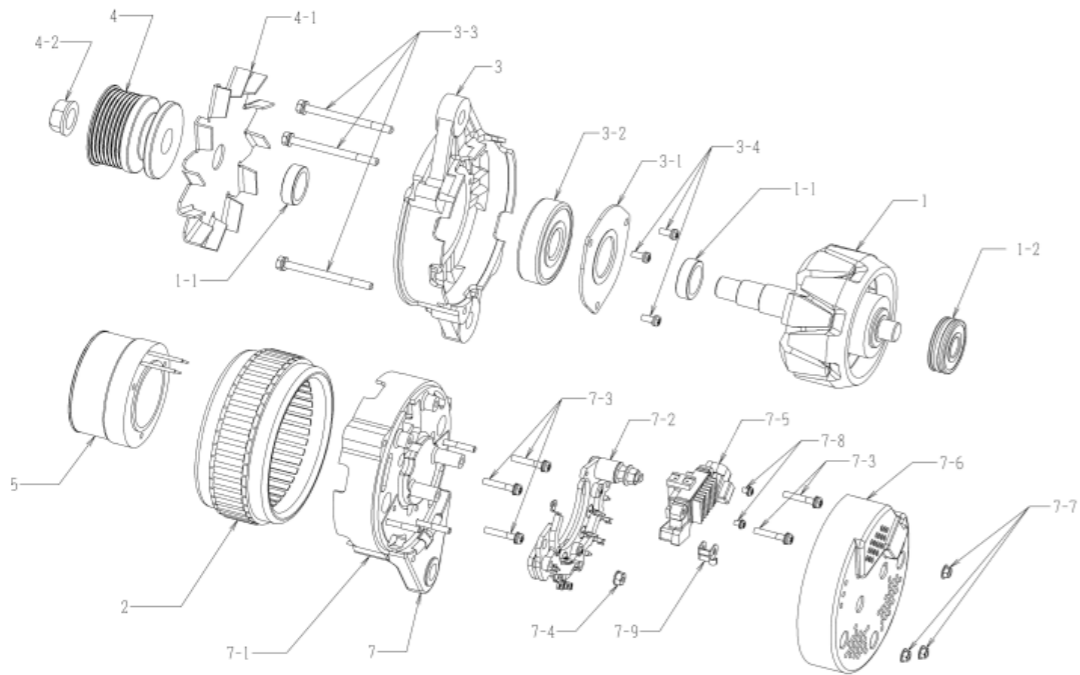
0-35000-5181

0-35000-5181 ALTERNATOR (MAKER PART NO 8-98013456-4)

No	Parts Number	Maker Parts No	Description	Qty	List Price	Note
1	0-35100-0418	8-98040638-0	ROTOR ASSY	1		
1-1	0-35923-0240	8-97382870-0	COLLAR	2		
1-2	0-09201-0980	1-81229723-0	BALL BEARING	1		REAR
2	0-35200-0508	8-98040640-0	STATOR ASSY	1		
3	0-35300-0428	8-97382872-0	F.BRACKET ASSY	1		INCLUDING 3-1, 3-2, 3-4
3-1	0-35926-0130	1-81229760-0	RETAINER	1		
3-2	0-09201-1120	1-81229758-0	BALL BEARING	1		FRONT
3-3	0-0275-06802	1-81229382-0	BOLT	3		THROUGH BOLT
3-4	1-0055-06162	1-81229469-0	SCREW	3		
4	0-35411-1211	8-98048005-0	PULLEY	1		
4-1	0-35421-0268	8-97382874-0	FAN	1		
4-2	0-09006-0730	8-98040643-0	NUT	1		
5	0-35120-0508	8-98040645-0	FIELD COIL CO	1		
7	0-35700-1370	8-98040684-1	R.BRACKET ASSY	1		INCLUDING 5, 7-1~7-5, 7-8, 7-9
7-1	0-35710-1780	8-98191101-1	REAR BRACKET CO	1		
7-2	0-35730-0761	8-98040686-0	RECTIFIER ASSY	1		
7-3	0-0056-05252	1-81229476-0	SCREW	5		
7-4	0-33902-0090	8-98040687-0	NUT	1		
7-5	0-35719-0260	8-98040688-0	REGULATOR ASSY	1		
7-6	0-35760-0031	8-98181103-0	COVER CO	1		
7-7	0-33902-0080	8-98040690-0	NUT	3		
7-8	0-0055-04082		SCREW	2		
7-9	0-35786-0390		TERMINAL PLATE	1		

0-35000-5182 ALTERNATOR

OEM CUSTOMER	ISUZU	OEM PARTS NUMBER	8-98013456-5
NOMINAL OUT PUT	24V 60A	SUPPLY TERM	16.06~
WEIGHT	9.8kg	REGULATOR	BUILT-IN
ENGINE MODEL	4HK1-TC		
VEHICLE	FRR90		
DESIGN RECORD	4928 → 5180 PULLEY CHANGED 5180 → 5181 SLIDE COLLAR CHANGED 5181 → 5182 REGULATOR CHANGED		
NOTE	13 TYPE V BELT SINGLE PEAK, K TYPE V BELT 7 PEAKS CLOCKWISE ROTATION PULLEY IS DIFFERENT FROM 0-35000-5162.		



0-35000-5182

0-35000-5182 ALTERNATOR (MAKER PART NO 8-98013456-5)

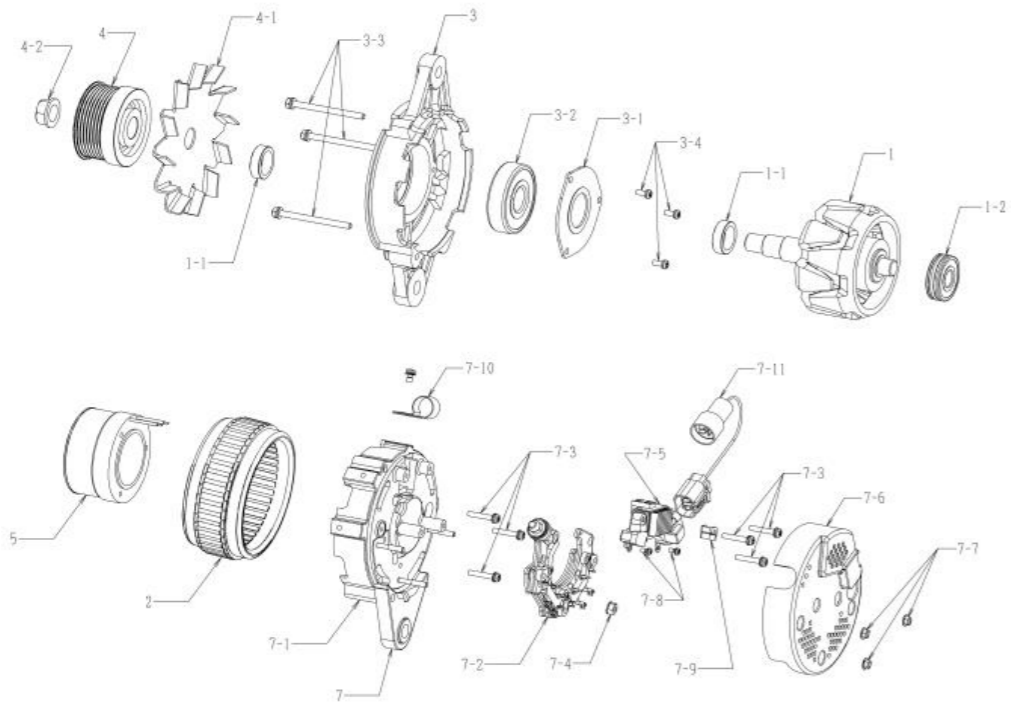
No	Parts Number	Maker Parts No	Description	Qty	List Price	Note
1	0-35100-0418	8-98040638-0	ROTOR ASSY	1		
1-1	0-35923-0240	8-97382870-0	COLLAR	2		
1-2	0-09201-0980	1-81229723-0	BALL BEARING	1		REAR
2	0-35200-0508	8-98040640-0	STATOR ASSY	1		
3	0-35300-0428	8-97382872-0	F.BRACKET ASSY	1		INCLUDING 3-1, 3-2, 3-4
3-1	0-35926-0130	1-81229760-0	RETAINER	1		
3-2	0-09201-1120	1-81229758-0	BALL BEARING	1		FRONT
3-3	0-0275-06802	1-81229382-0	BOLT	3		THROUGH BOLT
3-4	1-0055-06162	1-81229469-0	SCREW	3		
4	0-35411-1211	8-98048005-0	PULLEY	1		
4-1	0-35421-0268	8-97382874-0	FAN	1		
4-2	0-09006-0730	8-98040643-0	NUT	1		
5	0-35120-0508	8-98040645-0	FIELD COIL CO	1		
7	0-35700-1371	8-98367602-0	R.BRACKET ASSY	1		INCLUDING 5, 7-1~7-5, 7-8, 7-9
7-1	0-35710-1780	8-98191101-1	REAR BRACKET CO	1		
7-2	0-35730-0761	8-98040686-0	RECTIFIER ASSY	1		
7-3	0-0056-05252	1-81229476-0	SCREW	5		
7-4	0-33902-0090	8-98040687-0	NUT	1		
7-5	0-35719-0330	8-98352534-0	REGULATOR ASSY	1		
7-6	0-35760-0031	8-98181103-0	COVER CO	1		
7-7	0-33902-0080	8-98040690-0	NUT	3		
7-8	0-0055-04082		SCREW	2		
7-9	0-35786-0390		TERMINAL PLATE	1		

0-35000-5220 ALTERNATOR

OEM CUSTOMER	ISUZU	OEM PARTS NUMBER	8-98169360-2
NOMINAL OUT PUT	24V 60A	SUPPLY TERM	15.03~
WEIGHT	9.9kg	REGULATOR	BUILT-IN
ENGINE MODEL	6UZ1-TC		
VEHICLE	CYL77, CYJ77		
DESIGN RECORD	4958 → 5220 SLIDE COLLAR CHANGED, INSULATE BUSH OF B TERMINAL CHANGED		
NOTE	K TYPE V BELT 7 PEAKS (QUENCHED) CLOCKWISE ROTATION 60A MODEL OF 0-35000-5001.		

0-35000-5220 ALTERNATOR (MAKER PART NO 8-98169360-2)

No	Parts Number	Maker Parts No	Description	Qty	List Price	Note
1	0-35100-0418	8-98040638-0	ROTOR ASSY	1		
1-1	0-35923-0240	8-97382870-0	COLLAR	2		
1-2	0-09201-0980	1-81229723-0	BALL BEARING	1		REAR
2	0-35200-0508	8-98040640-0	STATOR ASSY	1		
3	0-35300-0428	8-97382872-0	F.BRACKET ASSY	1		INCLUDING 3-1, 3-2, 3-4
3-1	0-35926-0130	1-81229760-0	RETAINER	1		
3-2	0-09201-1120	1-81229758-0	BALL BEARING	1		FRONT
3-3	0-0275-06802	1-81229382-0	BOLT	3		THROUGH BOLT
3-4	1-0055-06162	1-81229469-0	SCREW	3		
4	0-35411-1248	8-98181099-0	PULLEY	1		
4-1	0-35421-0268	8-97382874-0	FAN	1		
4-2	0-09006-0730	8-98040643-0	NUT	1		
5	0-35120-0508	8-98040645-0	FIELD COIL CO	1		
7	0-35700-1380	8-98181100-1	R.BRACKET ASSY	1		INCLUDING 5, 7-1~7-5, 7-8, 7-9
7-1	0-35710-1780	8-98191101-1	REAR BRACKET CO	1		
7-2	0-35730-1080	8-98335685-0	RECTIFIER ASSY	1		
7-3	0-0056-05252	1-81229476-0	SCREW	6		
7-4	0-33902-0090	8-98040687-0	NUT	1		
7-5	0-35719-0260	8-98040688-0	REGULATOR ASSY	1		
7-6	0-35760-0031	8-98181103-0	COVER CO	1		
7-7	0-33902-0080	8-98040690-0	NUT	3		
7-8	0-0055-04082		SCREW	2		
7-9	0-35786-0390		TERMINAL PLATE	1		
7-10	0-35927-0010	1-81217053-0	HOLDER	1		
7-11	0-35780-1048	8-98181104-0	TERMINAL ASSY	1		



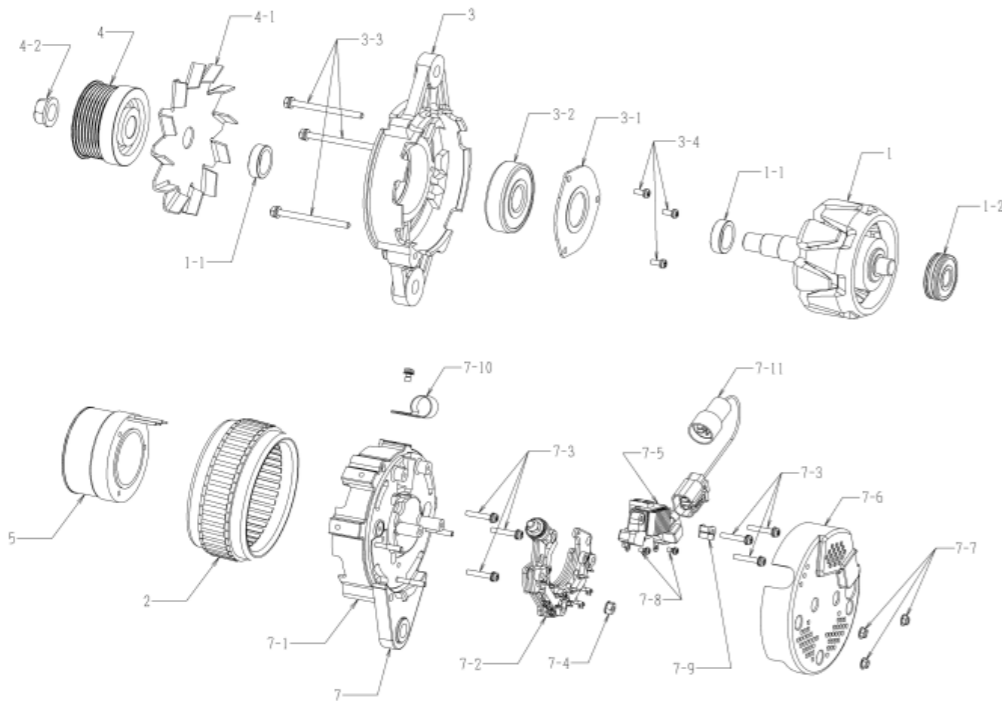
P-35000-5220

0-35000-5221 ALTERNATOR

OEM CUSTOMER	ISUZU	OEM PARTS NUMBER	8-98169360-3
NOMINAL OUT PUT	24V 60A	SUPPLY TERM	16.06~
WEIGHT	9.9kg	REGULATOR	BUILT-IN
ENGINE MODEL	6UZ1-TC		
VEHICLE	CYL77, CYJ77		
DESIGN RECORD	4958 → 5220	SLIDE COLLAR CHANGED, INSULATE BUSH OF B TERMINAL CHANGED	
	5220 → 5221	REGULATOR CHANGED	
NOTE	K TYPE V BELT 7 PEAKS (QUENCHED) CLOCKWISE ROTATION 60A MODEL OF 0-35000-5002.		

0-35000-5221 ALTERNATOR (MAKER PART NO 8-98169360-3)

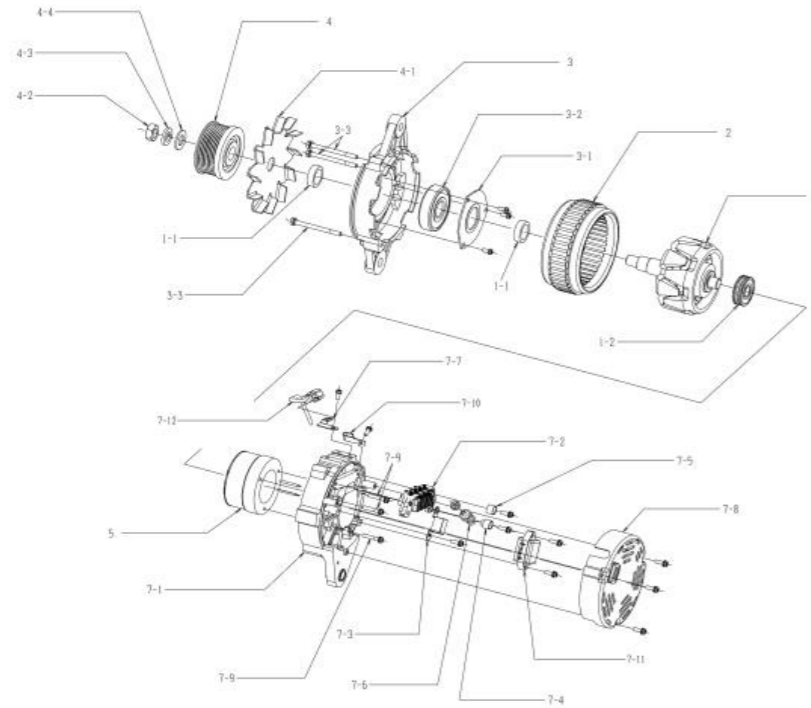
No	Parts Number	Maker Parts No	Description	Qty	List Price	Note
1	0-35100-0418	8-98040638-0	ROTOR ASSY	1		
1-1	0-35923-0240	8-97382870-0	COLLAR	2		
1-2	0-09201-0980	1-81229723-0	BALL BEARING	1		REAR
2	0-35200-0508	8-98040640-0	STATOR ASSY	1		
3	0-35300-0428	8-97382872-0	F.BRACKET ASSY	1		INCLUDING 3-1, 3-2, 3-4
3-1	0-35926-0130	1-81229760-0	RETAINER	1		
3-2	0-09201-1120	1-81229758-0	BALL BEARING	1		FRONT
3-3	0-0275-06802	1-81229382-0	BOLT	3		THROUGH BOLT
3-4	1-0055-06162	1-81229469-0	SCREW	3		
4	0-35411-1248	8-98181099-0	PULLEY	1		
4-1	0-35421-0268	8-97382874-0	FAN	1		
4-2	0-09006-0730	8-98040643-0	NUT	1		
5	0-35120-0508	8-98040645-0	FIELD COIL CO	1		
7	0-35700-1381	8-98367600-0	R.BRACKET ASSY	1		INCLUDING 5, 7-1~7-5, 7-8, 7-9
7-1	0-35710-1780	8-98191101-1	REAR BRACKET CO	1		
7-2	0-35730-1080	8-98335685-0	RECTIFIER ASSY	1		
7-3	0-0056-05252	1-81229476-0	SCREW	6		
7-4	0-33902-0090	8-98040687-0	NUT	1		
7-5	0-35719-0330	8-98352534-0	REGULATOR ASSY	1		
7-6	0-35760-0031	8-98181103-0	COVER CO	1		
7-7	0-33902-0080	8-98040690-0	NUT	3		
7-8	0-0055-04082		SCREW	2		
7-9	0-35786-0390		TERMINAL PLATE	1		
7-10	0-35927-0010	1-81217053-0	HOLDER	1		
7-11	0-35780-1048	8-98181104-0	TERMINAL ASSY	1		



0-35000-5221

0-35000-5230 ALTERNATOR

OEM CUSTOMER	ISUZU	OEM PARTS NUMBER	8-98092116-2
NOMINAL OUT PUT	24V 50A	SUPPLY TERM	15.08~
WEIGHT	9.5kg	REGULATOR	BUILT-IN
ENGINE MODEL	4HK1T		
VEHICLE	MOTOR (HYDRAULIC EXCAVATOR, OTHERS)		
DESIGN RECORD	4558 → 4598	FIELD COIL CHANGED	
	4598 → 4848	REGULATOR ASSY CHANGED	
	4848 → 5230	SLIDE COLLAR CHANGED	
NOTE	PK TYPE V BELT 8 PEAKS CLOCKWISE ROTATION		



8-35000-5230

0-35000-5230 ALTERNATOR (MAKER PART NO 8-98092116-2)

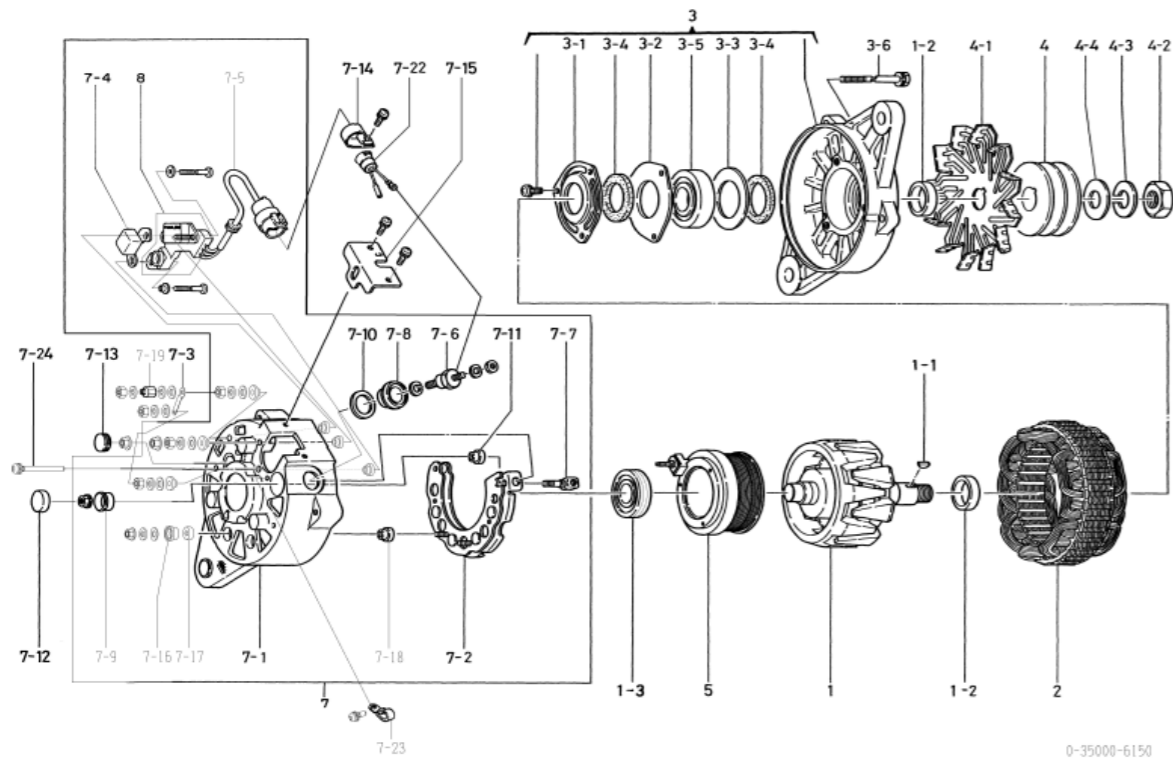
No	Parts Number	Maker Parts No	Description	Qty	List Price	Note
1	0-35100-0408	8-97382869-0	ROTOR ASSY	1		
1-1	0-35923-0240	8-97382870-0	COLLAR	2		
1-2	0-09201-0980	1-81229723-0	BALL BEARING	1		REAR
2	0-35200-0488	8-97382871-0	STATOR ASSY	1		
3	0-35300-0428	8-97382872-0	F.BRACKET ASSY	1		INCLUDING 3-1, 3-2
3-1	0-35926-0130	1-81229760-0	RETAINER	1		
3-2	0-09201-1120	1-81229758-0	BALL BEARING	1		FRONT
3-3	0-0275-06802	1-81229382-0	BOLT	3		
4	0-35411-1118	8-97382873-0	PULLEY	1		
4-1	0-35421-0268	8-97382874-0	FAN	1		
4-2	0-0280-16022	1-81229474-0	NUT	1		
4-3	1-0335-16002	1-81229479-0	SPRING WASHER	1		
4-4	1-0330-16012	1-81229478-0	PLAIN WASHER	1		
5	0-35120-0498	8-98036295-0	FIELD COIL CO	1		
7-1	0-35710-1770	8-97382878-1	REAR BRACKET CO	1		
7-2	0-35730-0750	8-97382879-0	RECTIFIRE ASSY	1		
7-3	0-09170-2501	1-84132012-0	CONDENSER	1		
7-4	0-35943-0250		INSULATE BUSH	1		
7-5	0-35943-0170	1-81229728-0	INSULATE BUSH	1		
7-6	0-35901-0220	8-97382881-0	BOLT	1		
7-7	0-33927-0650	8-97382881-0	HOLDER	1		
7-8	0-35760-0058	8-97382882-1	COVER CO	1		
7-9	0-0056-05302	1-81229733-0	SCREW	3		
7-10	1-33931-0060	1-81118011-0	CLIP	1		
7-11	0-35719-0221	8-98092399-0	REGULATOR ASSY	1		INCLUDING 7-12
7-12	0-35780-0930	8-97382884-0	TERMINAL ASSY	1		

0-35000-6150 ALTERNATOR

OEM CUSTOMER	ISUZU	OEM PARTS NUMBER	1-81200466-0
NOMINAL OUT PUT	24V 50A	SUPPLY TERM	94.11~
WEIGHT	13 kg	REGULATOR	BUILT-IN
ENGINE MODEL	6HE1TMC		
VEHICLE	MARINE		
DESIGN RECORD			
NOTE	V15 TYPE V BELT DOUBLE PEAKS FLOATED EARTH FOR INSULATION (MARINE TYPE) CLOCKWISE ROTATION		

0-35000-6150 ALTERNATOR (MAKER PART NO 1-81200466-0)

No	Parts Number	Maker Parts No	Description	Qty	List Price	Note
1	0-35100-0210	1-81211109-0	ROTOR ASSY	1		
1-1	1-0416-04160	9-82215867-0	WOODRUFF KEY	1		
1-2	1-33923-0790	1-81229642-0	COLLAR	2		
1-3	1-09201-0460	1-81229393-0	BALL BEARING	1		REAR
2	0-35200-0360	1-81211116-0	STATOR ASSY	1		
3	0-35300-0150	1-81213089-0	F.BRACKET ASSY	1		INCLUDING 3-1~3-5
3-1	0-35926-0070	1-81229643-0	RETAINER	1		
3-2	1-33926-0750	1-81229376-0	RETAINER	1		
3-3	1-33926-0730	1-81229526-0	RETAINER	1		
3-4	0-35951-0060	1-81229644-0	PACKING	2		
3-5	0-09201-0741	1-81229739-0	BALL BEARING	1		FRONT
3-6	0-0275-06852	1-81229660-0	BOLT	4		THROUGH BOLT
4	0-35411-0102	1-81222078-0	PULLEY	1		
4-1	0-35421-0150	1-81223018-0	FAN	1		
4-2	0-0280-16022	1-81229474-0	NUT	1		
4-3	1-0335-16002	1-81229479-0	SPRING WASHER	1		
4-4	1-0330-16012	1-81229478-0	PLAIN WASHER	1		
5	0-35120-0180	1-81222092-0	FIELD COIL CO	1		
7	0-35700-0680	1-81214333-0	R.BRACKET ASSY	1		INC.7-1,7-2,7-4~7-11,7-16~7-18,8
7-1	0-35710-0790	1-81214334-0	REAR BRACKET CO	1		
7-2	0-35730-0540	1-81219115-0	RECTIFIER ASSY	1		
7-3	0-35784-0200	1-81229709-0	CONNECT BAR	1		
7-4	0-09170-2000	1-84132008-0	CONDENSER	1		
7-5	0-35780-0070	1-81229517-0	TERMINAL ASSY	1		GUM BUSH NOT INCLUDED
7-6	0-35901-0190	1-81229710-0	BOLT	1		
7-7	0-35901-0070	1-81229647-0	BOLT	1		
7-8	0-35943-0080	1-81229648-0	INSULATE BUSH	1		
7-9	0-35943-0090	1-81229649-0	INSULATE BUSH	1		
7-10	0-35951-0070	1-81229651-0	PACKING	1		
7-11	0-35943-0070	1-81229650-0	INSULATE BUSH	1		
7-12	0-09252-0570	1-81229652-0	GUM CAP	1		INCLUDING 7-12
7-13	0-09252-0580	1-81229653-0	GUM CAP	1		
7-14	0-35927-0010	1-81217053-0	HOLDER	1		
7-15	0-35761-0130	1-81214296-0	COVER	1		
7-16	0-33943-1090	8-94338866-0	INSULATE BUSH	7		
7-17	0-09101-0200	1-81229715-0	INSULATE WASHER	4		
7-18	0-35943-0180	1-81229707-0	INSULATE BUSH	1		
7-19	0-35901-0160	1-81229702-0	BOLT	1		
7-22	0-35780-0620	1-81229713-0	TERMINAL ASSY	1		
7-23	1-33931-0021	1-81229122-0	CLIP	1		
7-24	0-0056-05452	1-81229477-0	SCREW	3		
8	0-35719-0170	1-81260013-0	REGULATOR ASSY	1		

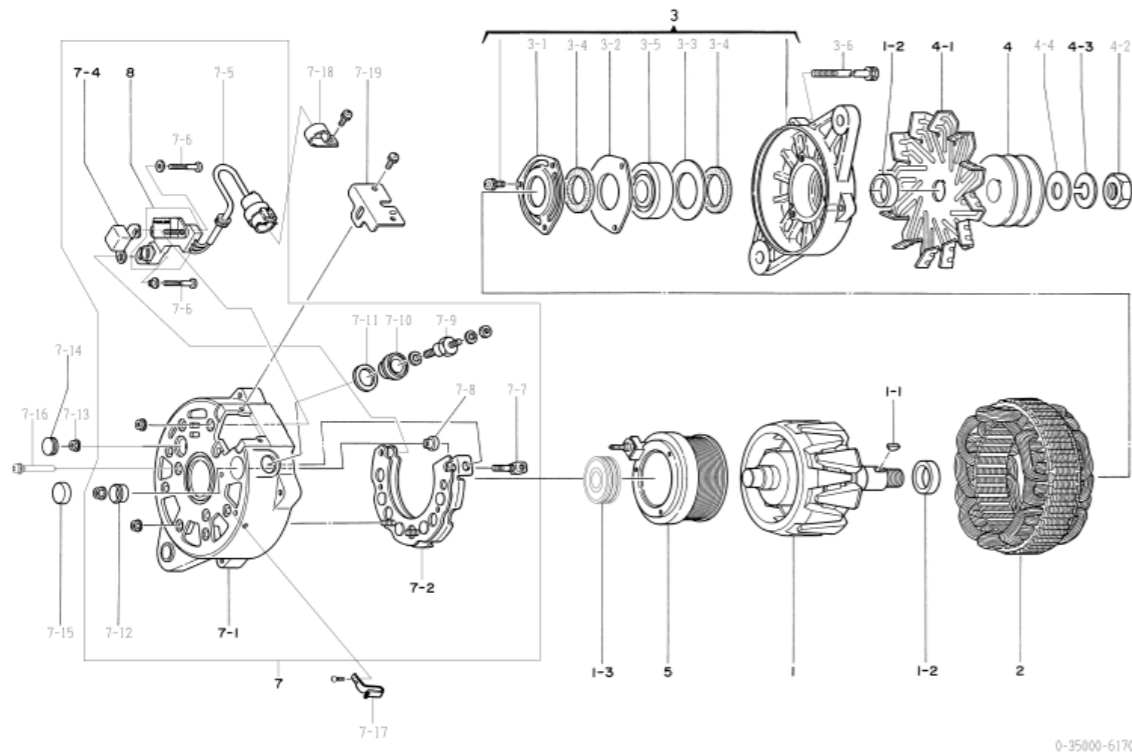


0-35000-6170 ALTERNATOR

OEM CUSTOMER	ISUZU	OEM PARTS NUMBER	1-81200417-3
NOMINAL OUT PUT	24V 60A	SUPPLY TERM	96.12~
WEIGHT	13.5 kg	REGULATOR	BUILT-IN
ENGINE MODEL	6SA1, OTHERS		
VEHICLE	FR, OTHERS		
DESIGN RECORD	6102 → 6170 F.BRACKET ASSY CHANGED		
NOTE	V15 TYPE V BELT DOUBLE PEAKS SLOW CHARGING TYPE CLOCKWISE ROTATION		

0-35000-6170 ALTERNATOR (MAKER PART NO 1-81200417-3)

No	Parts Number	Maker Parts No	Description	Qty	List Price	Note
1	0-35100-0210	1-81211109-0	ROTOR ASSY	1		
1-1	1-0416-04160	9-82215867-0	WOODRUFF KEY	1		
1-2	1-33923-0790	1-81229642-0	COLLAR	2		
1-3	1-09201-0460	1-81229393-0	BALL BEARING	1		REAR
2	0-35200-0360	1-81211116-0	STATOR ASSY	1		
3	0-35300-0041	1-81213093-0	F.BRACKET ASSY	1		INCLUDING 3-1~3-5
3-1	0-35926-0070	1-81229643-0	RETAINER	1		
3-2	1-33926-0750	1-81229376-0	RETAINER	1		
3-3	1-33926-0730	1-81229526-0	RETAINER	1		
3-4	0-35951-0060	1-81229644-0	PACKING	2		
3-5	0-09201-0741	1-81229739-0	BALL BEARING	1		FRONT
3-6	0-0275-06852	1-81229660-0	BOLT	4		THROUGH BOLT
4	1-35411-0100	1-81222055-0	PULLEY	1		
4-1	0-35421-0120	1-81223017-0	FAN	1		
4-2	0-0280-16022	1-81229474-0	NUT	1		
4-3	1-0335-16002	1-81229479-0	SPRING WASHER	1		
4-4	1-0330-16012	1-81229478-0	PLAIN WASHER	1		
5	0-35120-0180	1-81222092-0	FIELD COIL CO	1		
7	0-35700-0462	1-81214300-0	R.BRACKET ASSY	1		INCLUDING 7-1~7-12, 8
7-1	0-35710-0532	1-81214301-0	REAR BRACKET CO	1		
7-2	0-35730-0340	1-81219108-0	RECTIFIER ASSY	1		
7-4	0-09170-2000	1-84132008-0	CONDENSER	1		
7-5	0-35780-0070	1-81229517-0	TERMINAL ASSY	1		GUM BUSH NOT INCLUDED
7-6	0-35901-0100		BOLT	2		
7-7	0-35901-0070	1-81229647-0	BOLT	1		
7-8	0-35943-0070	1-81229650-0	INSULATE BUSH	1		
7-9	0-35901-0060	1-81229646-0	BOLT	1		
7-10	0-35943-0080	1-81229648-0	INSULATE BUSH	1		
7-11	0-35951-0070	1-81229651-0	PACKING	1		
7-12	0-35943-0090	1-81229649-0	INSULATE BUSH	1		
7-13	0-33902-0080	8-98040690-0	NUT	1		
7-14	0-09252-0580	1-81229653-0	GUM CAP	1		
7-15	0-09252-0570	1-81229652-0	GUM CAP	1		
7-16	0-0056-05452	1-81229477-0	SCREW	3		
7-17	0-35931-0020	1-81229516-0	CLIP	1		
7-18	0-35927-0010	1-81217053-0	HOLDER	1		
7-19	0-35761-0130	1-81214296-0	COVER	1		
8	0-35719-0070	1-81260008-0	REGULATOR ASSY	1		



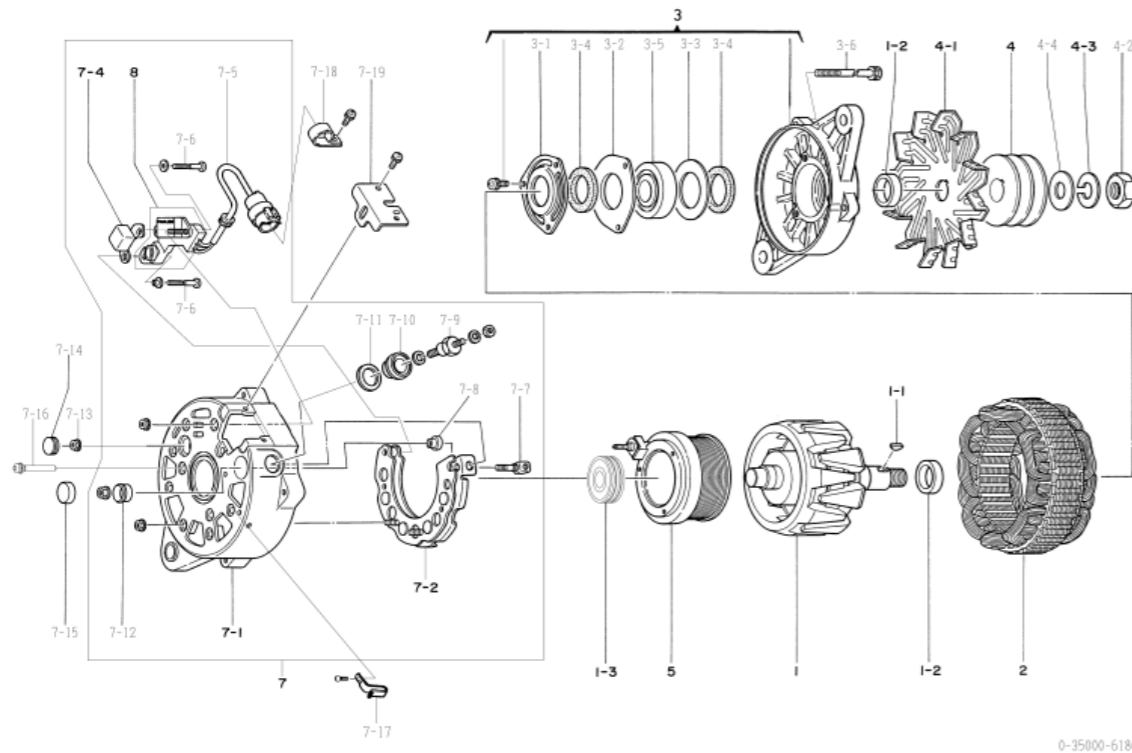
0-35000-6170

0-35000-6180 ALTERNATOR

OEM CUSTOMER	ISUZU	OEM PARTS NUMBER	1-81200465-1
NOMINAL OUT PUT	24V 60A	SUPPLY TERM	96.12~
WEIGHT	13 kg	REGULATOR	BUILT-IN
ENGINE MODEL	6H, 6SD1-T		
VEHICLE	CX, CV, EX, C※※23		
DESIGN RECORD	6103 → 6180 F.BRACKET ASSY CHANGED		
NOTE	V15 TYPE V BELT DOUBLE PEAKS (QUENCHED) SLOW CHARGING TYPE CLOCKWISE ROTATION		

0-35000-6180 ALTERNATOR (MAKER PART NO 1-81200465-1)

No	Parts Number	Maker Parts No	Description	Qty	List Price	Note
1	0-35100-0210	1-81211109-0	ROTOR ASSY	1		
1-1	1-0416-04160	9-82215867-0	WOODRUFF KEY	1		
1-2	1-33923-0790	1-81229642-0	COLLAR	2		
1-3	1-09201-0460	1-81229393-0	BALL BEARING	1		REAR
2	0-35200-0360	1-81211116-0	STATOR ASSY	1		
3	0-35300-0041	1-81213093-0	F.BRACKET ASSY	1		INCLUDING 3-1~3-5
3-1	0-35926-0070	1-81229643-0	RETAINER	1		
3-2	1-33926-0750	1-81229376-0	RETAINER	1		
3-3	1-33926-0730	1-81229526-0	RETAINER	1		
3-4	0-35951-0060	1-81229644-0	PACKING	2		
3-5	0-09201-0741	1-81229739-0	BALL BEARING	1		FRONT
3-6	0-0275-06852	1-81229660-0	BOLT	4		THROUGH BOLT
4	0-35411-0530	1-81222091-0	PULLEY	1		
4-1	0-35421-0120	1-81223017-0	FAN	1		
4-2	0-0280-16022	1-81229474-0	NUT	1		
4-3	1-0335-16002	1-81229479-0	SPRING WASHER	1		
4-4	1-0330-16012	1-81229478-0	PLAIN WASHER	1		
5	0-35120-0180	1-81222092-0	FIELD COIL CO	1		
7	0-35700-0462	1-81214300-0	R.BRACKET ASSY	1		INCLUDING 7-1~7-12, 8
7-1	0-35710-0532	1-81214301-0	REAR BRACKET CO	1		
7-2	0-35730-0340	1-81219108-0	RECTIFIER ASSY	1		
7-4	0-09170-2000	1-84132008-0	CONDENSER	1		
7-5	0-35780-0070	1-81229517-0	TERMINAL ASSY	1		GUM BUSH NOT INCLUDED
7-6	0-35901-0100		BOLT	2		
7-7	0-35901-0070	1-81229647-0	BOLT	1		
7-8	0-35943-0070	1-81229650-0	INSULATE BUSH	1		
7-9	0-35901-0060	1-81229646-0	BOLT	1		
7-10	0-35943-0080	1-81229648-0	INSULATE BUSH	1		
7-11	0-35951-0070	1-81229651-0	PACKING	1		
7-12	0-35943-0090	1-81229649-0	INSULATE BUSH	1		
7-13	0-33902-0080	8-98040690-0	NUT	1		
7-14	0-09252-0580	1-81229653-0	GUM CAP	1		
7-15	0-09252-0570	1-81229652-0	GUM CAP	1		
7-16	0-0056-05452	1-81229477-0	SCREW	3		
7-17	0-35931-0020	1-81229516-0	CLIP	1		
7-18	0-35927-0010	1-81217053-0	HOLDER	1		
7-19	0-35761-0130	1-81214296-0	COVER	1		
8	0-35719-0070	1-81260008-0	REGULATOR ASSY	1		

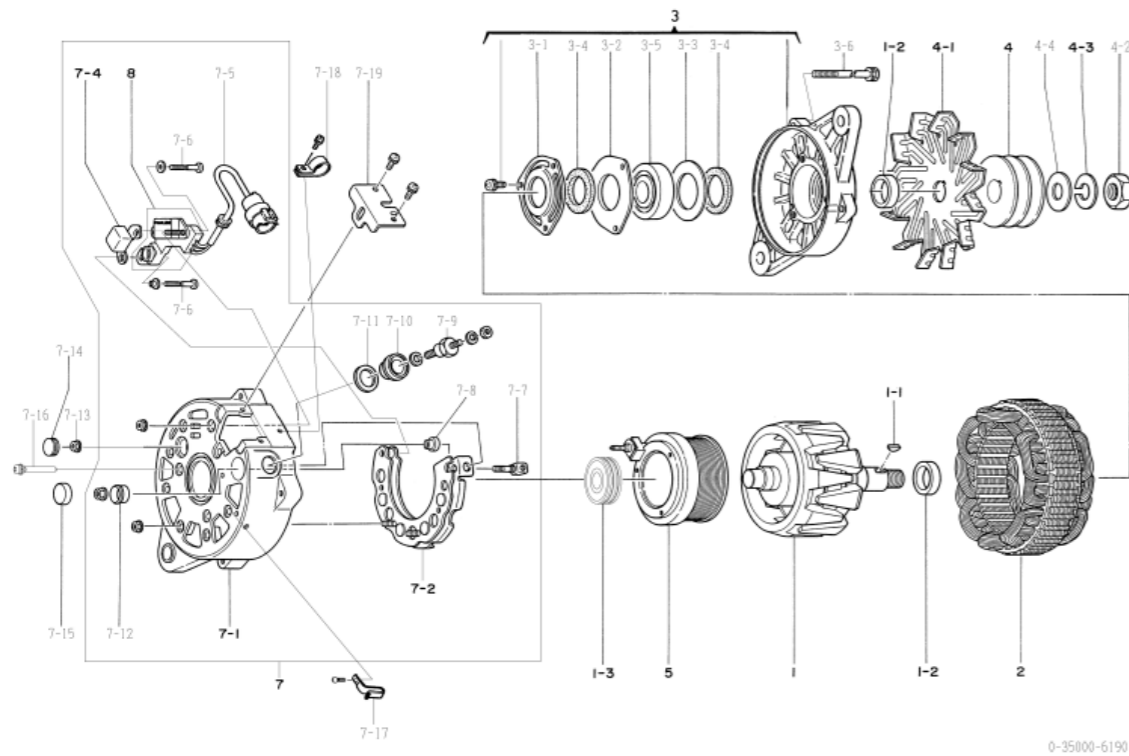


0-35000-6190 ALTERNATOR

OEM CUSTOMER	ISUZU	OEM PARTS NUMBER	1-81200460-2
NOMINAL OUT PUT	24V 60A	SUPPLY TERM	96.12~
WEIGHT	13 kg	REGULATOR	BUILT-IN
ENGINE MODEL	8P, 10P, 12P, OTHERS		
VEHICLE	CV, CX, EX, OTHERS		
DESIGN RECORD	6105 → 6190 F.BRACKET ASSY CHANGED		
NOTE	V15 TYPE V BELT DOUBLE PEAKS (QUENCHED) SLOW CHARGING TYPE CLOCKWISE ROTATION		

0-35000-6190 ALTERNATOR (MAKER PART NO 1-81200460-2)

No	Parts Number	Maker Parts No	Description	Qty	List Price	Note
1	0-35100-0210	1-81211109-0	ROTOR ASSY	1		
1-1	1-0416-04160	9-82215867-0	WOODRUFF KEY	1		
1-2	1-33923-0790	1-81229642-0	COLLAR	2		
1-3	1-09201-0460	1-81229393-0	BALL BEARING	1		REAR
2	0-35200-0360	1-81211116-0	STATOR ASSY	1		
3	0-35300-0041	1-81213093-0	F.BRACKET ASSY	1		INCLUDING 3-1~3-5
3-1	0-35926-0070	1-81229643-0	RETAINER	1		
3-2	1-33926-0750	1-81229376-0	RETAINER	1		
3-3	1-33926-0730	1-81229526-0	RETAINER	1		
3-4	0-35951-0060	1-81229644-0	PACKING	2		
3-5	0-09201-0741	1-81229739-0	BALL BEARING	1		FRONT
3-6	0-0275-06852	1-81229660-0	BOLT	4		THROUGH BOLT
4	0-35411-0530	1-81222091-0	PULLEY	1		
4-1	0-35421-0120	1-81223017-0	FAN	1		
4-2	0-0280-16022	1-81229474-0	NUT	1		
4-3	1-0335-16002	1-81229479-0	SPRING WASHER	1		
4-4	1-0330-16012	1-81229478-0	PLAIN WASHER	1		
5	0-35120-0180	1-81222092-0	FIELD COIL CO	1		
7	0-35700-0462	1-81214300-0	R.BRACKET ASSY	1		INC 7-1~7-12,8
7-1	0-35710-0532	1-81214301-0	REAR BRACKET CO	1		
7-2	0-35730-0340	1-81219108-0	RECTIFIER ASSY	1		
7-4	0-09170-2000	1-84132008-0	CONDENSER	1		
7-5	0-35780-0070	1-81229517-0	TERMINAL ASSY	1		GUM BUSH NOT INCLUDED
7-6	0-35901-0100		BOLT	2		
7-7	0-35901-0070	1-81229647-0	BOLT	1		
7-8	0-35943-0070	1-81229650-0	INSULATE BUSH	1		
7-9	0-35901-0060	1-81229646-0	BOLT	1		
7-10	0-35943-0080	1-81229648-0	INSULATE BUSH	1		
7-11	0-35951-0070	1-81229651-0	PACKING	1		
7-12	0-35943-0090	1-81229649-0	INSULATE BUSH	1		
7-13	0-33902-0080	8-98040690-0	NUT	1		
7-14	0-09252-0580	1-81229653-0	GUM CAP	1		
7-15	0-09252-0570	1-81229652-0	GUM CAP	1		
7-16	0-0056-05452	1-81229477-0	SCREW	3		
7-17	0-35931-0020	1-81229516-0	CLIP	1		
7-18	0-35927-0010	1-81217053-0	HOLDER	1		
7-19	0-35761-0130	1-81214296-0	COVER	1		
8	0-35719-0070	1-81260008-0	REGULATOR ASSY	1		

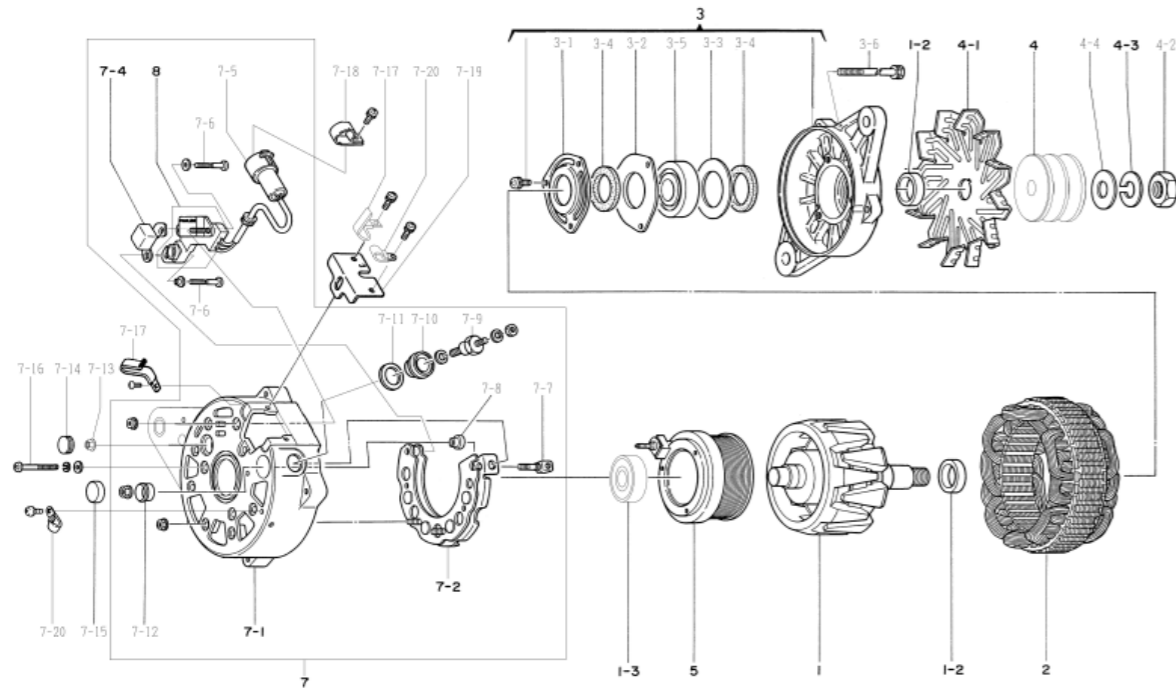


0-35000-6240 ALTERNATOR

OEM CUSTOMER	ISUZU	OEM PARTS NUMBER	1-81200437-4
NOMINAL OUT PUT	24V 60A	SUPPLY TERM	99.08~
WEIGHT	13 kg	REGULATOR	BUILT-IN
ENGINE MODEL	6W, OTHERS		
VEHICLE	CV, CX, EX, OTHERS		
DESIGN RECORD	6130 → 6131	R. BRACKET ASSY CHANGED	
	6131 → 6132	F. BRACKET ASSY CHANGED	
	6132 → 6240	ROTOR ASSY AND PULLEY CHANGED, KEY GROOVE ABOLISHED	
NOTE	V15 TYPE V BELT DOUBLE PEAKS (QUENCHED) CLOCKWISE ROTATION INTEGRATED MODEL OF 0-35000-6130, 6131, 6132, 6133		

0-35000-6240 ALTERNATOR (MAKER PART NO 1-81200437-4)

No	Parts Number	Maker Parts No	Description	Qty	List Price	Note
1	0-35100-0350	1-81211127-0	ROTOR ASSY	1		
1-2	1-33923-0790	1-81229642-0	COLLAR	2		
1-3	0-09201-0840	1-81229678-0	BALL BEARING	1		REAR
2	0-35200-0310	1-81211110-0	STATOR ASSY	1		
3	0-35300-0041	1-81213093-0	F.BRACKET ASSY	1		INCLUDING 3-1~3-5
3-1	0-35926-0070	1-81229643-0	RETAINER	1		
3-2	1-33926-0750	1-81229376-0	RETAINER	1		
3-3	1-33926-0730	1-81229526-0	RETAINER	1		
3-4	0-35951-0060	1-81229644-0	PACKING	2		
3-5	0-09201-0741	1-81229739-0	BALL BEARING	1		FRONT
3-6	0-0275-06852	1-81229660-0	BOLT	4		THROUGH BOLT
4	0-35411-0980	1-81222154-0	PULLEY	1		
4-1	0-35421-0120	1-81223017-0	FAN	1		
4-2	0-0280-16022	1-81229474-0	NUT	1		
4-3	1-0335-16002	1-81229479-0	SPRING WASHER	1		
4-4	1-0330-16012	1-81229478-0	PLAIN WASHER	1		
5	0-35120-0180	1-81222092-0	FIELD COIL CO	1		
7	0-35700-0571	1-81222104-0	R.BRACKET ASSY	1		INC 7-1~7-12, 8
7-1	0-35710-0691	1-81222106-0	REAR BRACKET CO	1		
7-2	0-35730-0340	1-81219108-0	RECTIFIER ASSY	1		
7-4	0-09170-2000	1-84132008-0	CONDENSER	1		
7-5	0-35780-0440	1-81229679-0	TERMINAL ASSY	1		GUM BUSH NOT INCLUDED
7-6	0-35901-0100		BOLT	2		
7-7	0-35901-0070	1-81229647-0	BOLT	1		
7-8	0-35943-0070	1-81229650-0	INSULATE BUSH	1		
7-9	0-35901-0060	1-81229646-0	BOLT	1		
7-10	0-35943-0080	1-81229648-0	INSULATE BUSH	1		
7-11	0-35951-0070	1-81229651-0	PACKING	1		
7-12	0-35943-0090	1-81229649-0	INSULATE BUSH	1		
7-13	0-33902-0080	8-98040690-0	NUT	1		
7-14	0-09252-0580	1-81229653-0	GUM CAP	1		
7-15	0-09252-0570	1-81229652-0	GUM CAP	1		
7-16	0-0056-05452	1-81229477-0	SCREW	3		
7-17	0-35931-0020	1-81229516-0	CLIP	1		
7-18	0-35927-0010	1-81217053-0	HOLDER	1		
7-19	0-35761-0130	1-81214296-0	COVER	1		
7-20	1-33931-0021	1-81229122-0	CLIP	2		
8	0-35719-0070	1-81260008-0	REGULATOR ASSY	1		



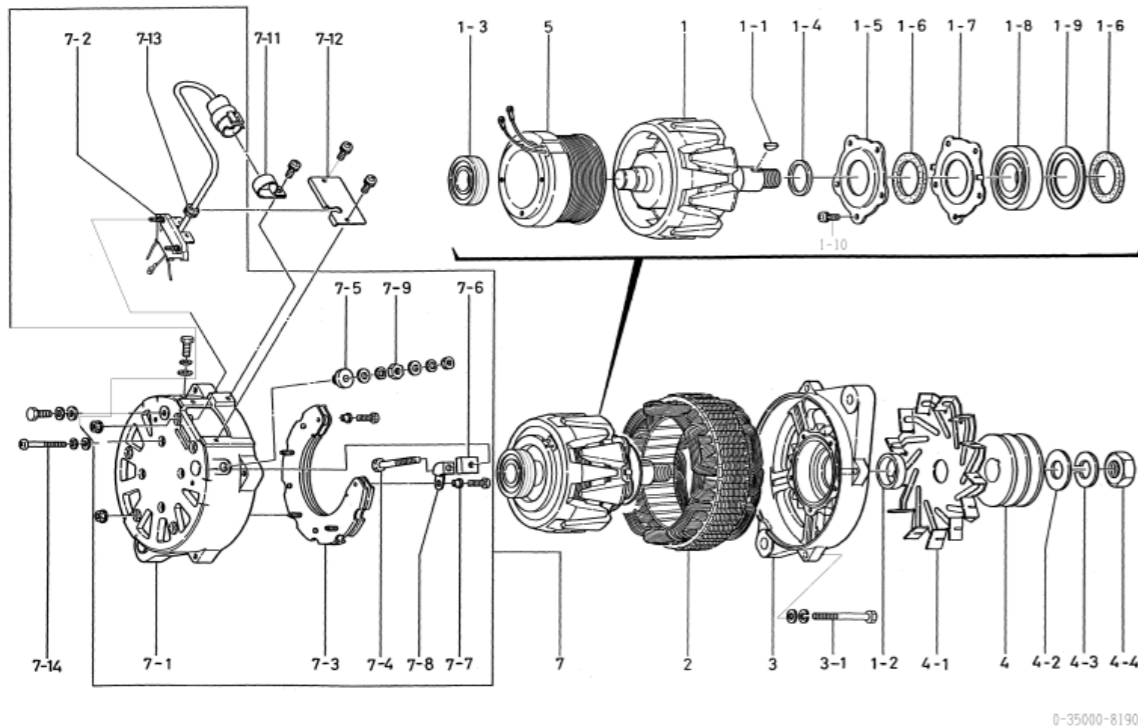
0-35000-6240

0-35000-8190 ALTERNATOR

OEM CUSTOMER	ISUZU	OEM PARTS NUMBER	1-81200436-0
NOMINAL OUT PUT	24V 110A	SUPPLY TERM	90.01~
WEIGHT	22.5kg	REGULATOR	0-44000-1230→1380 (OPTIONAL)
ENGINE MODEL	6BG1, 6HE1		
VEHICLE	LR, LT, OTHERS		
DESIGN RECORD			
NOTE	V15 TYPE V BELT DOUBLE PEAKS CLOCKWISE ROTATION PULLEY IS DIFFERENT FROM 0-35000-8091.		

0-35000-8190 ALTERNATOR (MAKER PART NO 1-81200436-0)

No	Parts Number	Maker Parts No	Description	Qty	List Price	Note
1	0-35100-0200	1-81221087-0	ROTOR ASSY	1		
1-1	1-0416-04160	9-82215867-0	WOODRUFF KEY	1		
1-2	1-33923-0890	1-81229626-0	COLLAR	1		
1-3	0-09201-0770	1-81229628-0	BALL BEARING	1		REAR
1-4	1-35923-0030	1-81229627-0	COLLAR	1		
1-5	0-35926-0080	1-81229629-0	RETAINER	1		
1-6	0-35951-0080	1-81229630-0	PACKING	2		
1-7	1-33926-0660	1-81229190-0	RETAINER	1		
1-8	0-09201-0760	1-81229631-0	BALL BEARING	1		FRONT
1-9	1-33926-0790	1-81229349-0	RETAINER	1		
1-10	1-0055-06162	1-81229469-0	SCREW	5		
2	0-35200-0290	1-81211104-0	STATOR ASSY	1		
3	0-35300-0020	1-81213073-0	F.BRACKET ASSY	1		INCLUDING 1-5~1-10
3-1	0-0093-08102	1-81229632-0	BOLT	4		THROUGH BOLT
4	0-35411-0510	1-81222090-0	PULLEY	1		
4-1	1-33421-0500	1-81223003-0	FAN	1		
4-2	1-0330-22012	1-81229673-0	PLAIN WASHER	1		
4-3	1-0335-22002	1-81229672-0	SPRING WASHER	1		
4-4	0-0280-22022	9-82216098-0	NUT	1		
5	0-35120-0120	1-81212010-0	FIELD COIL CO	1		
7	0-35700-0441	1-81214310-0	R.BRACKET ASSY	1		INC 7-1~7-9, 7-13
7-1	0-35710-0500	1-81214290-0	REAR BRACKET CO	1		
7-2	0-35780-0291	1-81229676-0	TERMINAL ASSY	1		INCLUDING 7-13
7-3	0-35730-0162	1-81219114-0	RECTIFIER ASSY	1		
7-4	0-0081-08500	1-81229278-0	BOLT	1		
7-5	0-35943-0100	1-81229635-0	INSULATE BUSH	1		
7-6	1-33943-0950	1-81229352-0	INSULATE BUSH	1		
7-7	1-33943-0450	1-81229001-0	INSULATE BUSH	2		
7-8	0-35784-0150	1-81229636-0	CONNECT BAR	1		
7-9	0-33902-0100	1-81229586-0	NUT	1		
7-11	0-35927-0050	1-81229703-0	HOLDER	1		
7-12	0-35761-0140	1-81229639-0	COVER	1		
7-13	1-33953-0180	1-81229640-0	GUM BUSH	1		
7-14	1-0020-06552	1-81229641-0	SCREW	4		



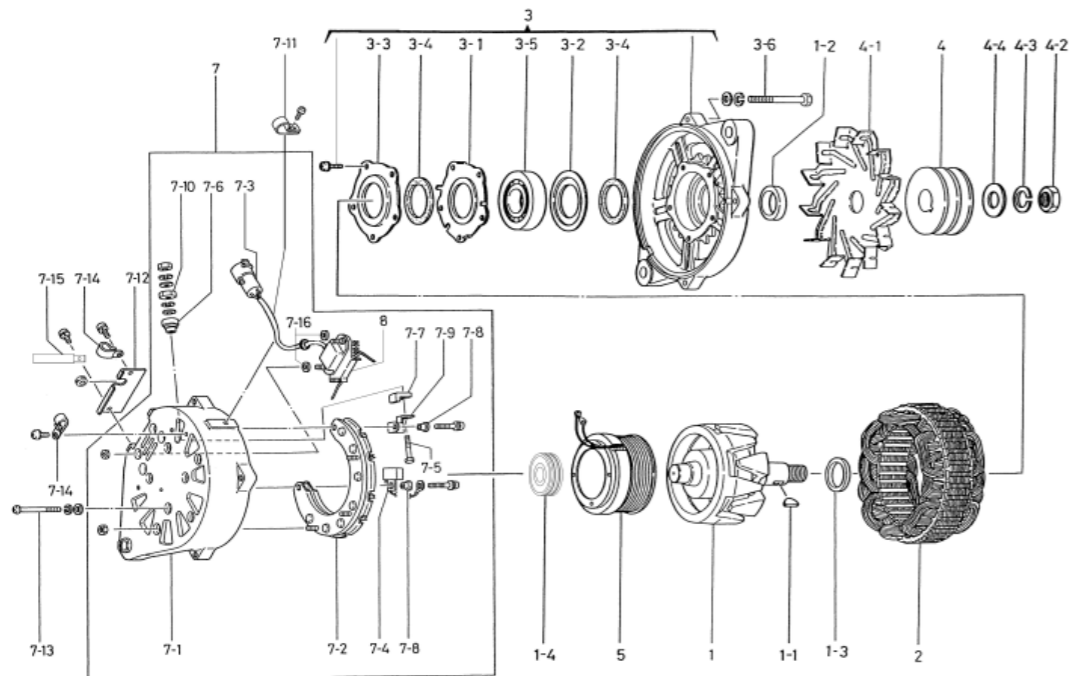
0-35000-8190

0-35000-8213 ALTERNATOR

OEM CUSTOMER	ISUZU	OEM PARTS NUMBER	1-81200438-3
NOMINAL OUT PUT	24V 90A	SUPPLY TERM	01.01~
WEIGHT	19kg	REGULATOR	BUILT-IN
ENGINE MODEL	6W, OTHERS		
VEHICLE	CV, CX, EX, OTHERS		
DESIGN RECORD	8210→8211	FAN CHANGED	
	8211→8212	PULLEY CHANGED	
	8212→8213	CLIP FOR VEHICLE WIRING HARNESS ADDED	
NOTE	V15 TYPE V BELT DOUBLE PEAKS (QUENCHED) CLOCKWISE ROTATION		

0-35000-8213 ALTERNATOR (MAKER PART NO 1-81200438-3)

No	Parts Number	Maker Parts No	Description	Qty	List Price	Note
1	0-35100-0230	1-81221092-1	ROTOR ASSY	1		
1-1	1-0416-04160	9-82215867-0	WOODRUFF KEY	1		
1-2	1-33923-0890	1-81229626-0	COLLAR	1		
1-3	1-35923-0030	1-81229627-0	COLLAR	1		
1-4	0-09201-0770	1-81229628-0	BALL BEARING	1		REAR
2	0-35200-0340	1-81211114-0	STATOR ASSY	1		
3	0-35300-0060	1-81213080-0	F.BRACKET ASSY	1		INCLUDING 3-1~3-5
3-1	1-33926-0660	1-81229190-0	RETAINER	1		
3-2	1-33926-0790	1-81229349-0	RETAINER	1		
3-3	0-35926-0080	1-81229629-0	RETAINER	1		
3-4	0-35951-0080	1-81229630-0	PACKING	2		
3-5	0-09201-0760	1-81229631-0	BALL BEARING	1		FRONT
3-6	0-0083-08802	1-81229661-0	BOLT	4		THROUGH BOLT
4	0-35411-0990	1-8122153-0	PULLEY	1		
4-1	1-33421-0501	1-81223003-1	FAN	1		
4-2	0-0280-22022	9-82216098-0	NUT	1		
4-3	1-0335-22002	1-81229672-0	SPRING WASHER	1		
4-4	1-0330-22012	1-81229673-0	PLAIN WASHER	1		
5	0-35120-0150	1-81212014-0	FIELD COIL CO	1		
7	0-35700-0560	1-81222096-0	R.BRACKET ASSY	1		INC 7-1~7-10, 7-16, 8
7-1	0-35710-0670	1-81222099-0	R.BRACKET CO	1		
7-2	0-35730-0162	1-81219114-0	RECTIFIER ASSY	1		
7-3	0-35780-0450	1-81229680-0	TERMINAL ASSY	1		
7-4	0-09170-1860	8-94338867-0	CONDENSER	1		
7-5	0-0081-08500	1-81229278-0	BOLT	1		
7-6	0-35943-0100	1-81229635-0	INSULATE BUSH	1		
7-7	1-33943-0950	1-81229352-0	INSULATE BUSH	1		
7-8	1-33943-0450	1-81229001-0	INSULATE BUSH	2		
7-9	0-35784-0150	1-81229636-0	CONNECT BAR	1		
7-10	0-33902-0100	1-81229586-0	NUT	1		
7-11	0-35927-0010	1-81217053-0	HOLDER	1		
7-12	0-35761-0150	1-81229663-0	COVER	1		
7-13	1-0020-06452	1-81229664-0	SCREW	4		
7-14	1-33931-0021	1-81229122-0	CLIP	2		
7-15	0-35931-0020	1-81229516-0	CLIP	1		
7-16	0-35923-0120	1-81229681-0	COLLAR	2		
8	0-35719-0110	1-81260010-0	REGULATOR ASSY	1		INCLUDING 7-3



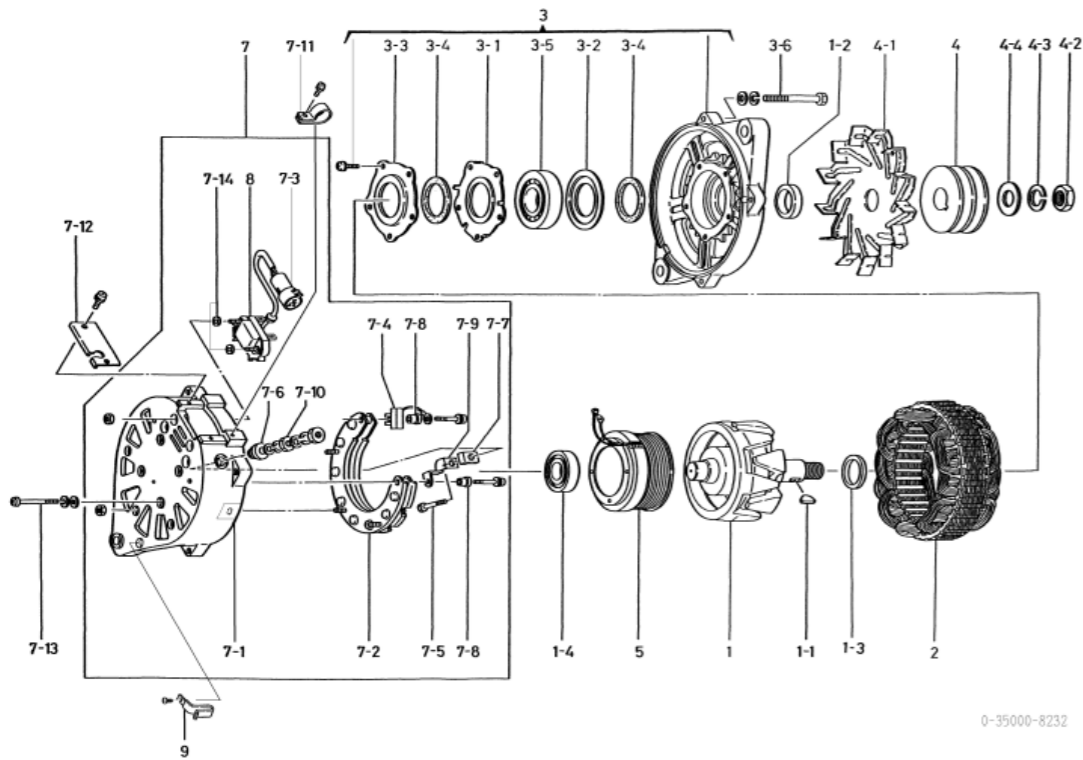
0-35000-8213

0-35000-8232 ALTERNATOR

OEM CUSTOMER	ISUZU	OEM PARTS NUMBER	1-81200478-1
NOMINAL OUT PUT	24V 110A	SUPPLY TERM	96.08~
WEIGHT	19kg	REGULATOR	BUILT-IN
ENGINE MODEL	10P, 12P, OTHERS		
VEHICLE	CV, CX, OTHERS		
DESIGN RECORD	8230 →8231	CLIP ADDED	
	8231 →8232	ROTOR, R.BRACKET CHANGED	
NOTE	15 TYPE V BELT DOUBLE PEAKS CLOCKWISE ROTATION		

0-35000-8232 ALTERNATOR (MAKER PART NO 1-81200478-1)

No	Parts Number	Maker Parts No	Description	Qty	List Price	Note
1	0-35100-0231	1-81221092-1	ROTOR ASSY	1		
1-1	1-0416-04160	9-82215867-0	WOODRUFF KEY	1		
1-2	1-33923-0890	1-81229626-0	COLLAR	1		
1-3	1-35923-0030	1-81229627-0	COLLAR	1		
1-4	0-09201-0770	1-81229628-0	BALL BEARING	1		REAR
2	0-35200-0320	1-81211111-0	STATOR ASSY	1		
3	0-35300-0060	1-81213080-0	F.BRACKET ASSY	1		INCLUDING 3-1~3-5
3-1	1-33926-0660	1-81229190-0	RETAINER	1		
3-2	1-33926-0790	1-81229349-0	RETAINER	1		
3-3	0-35926-0080	1-81229629-0	RETAINER	1		
3-4	0-35951-0080	1-81229630-0	PACKING	2		
3-5	0-09201-0760	1-81229631-0	BALL BEARING	1		FRONT
3-6	0-0083-08802	1-81229661-0	BOLT	4		THROUGH BOLT
4	0-35411-0481	1-81222109-0	PULLEY	1		
4-1	1-33421-0500	1-81223003-0	FAN	1		
4-2	0-0280-22022	9-82216098-0	NUT	1		
4-3	1-0335-22002	1-81229672-0	SPRING WASHER	1		
4-4	1-0330-22012	1-81229673-0	PLAIN WASHER	1		
5	0-35120-0150	1-81212014-0	FIELD COIL CO	1		
7	0-35700-0612	1-81214346-0	R.BRACKET ASSY	1		INC 7-1~7-10, 7-14, 8
7-1	0-35710-0571	1-81214347-0	R.BRACKET CO	1		
7-2	0-35730-0162	1-81219114-0	RECTIFIER ASSY	1		
7-3	0-35780-0500	1-81229689-0	TERMINAL ASSY	1		
7-4	0-09170-1860	8-94338867-0	CONDENSER	1		
7-5	0-0081-08500	1-81229278-0	BOLT	1		
7-6	0-35943-0100	1-81229635-0	INSULATE BUSH	1		
7-7	1-33943-0950	1-81229352-0	INSULATE BUSH	1		
7-8	1-33943-0450	1-81229001-0	INSULATE BUSH	2		
7-9	0-35784-0150	1-81229636-0	CONNECT BAR	1		
7-10	0-33902-0100	1-81229586-0	NUT	1		
7-11	0-35927-0010	1-81217053-0	HOLDER	1		
7-12	0-35761-0150	1-81229663-0	COVER	1		
7-13	1-0020-06452	1-81229664-0	SCREW	4		
7-14	0-35923-0120	1-81229681-0	COLLAR	2		
8	0-35719-0140	1-81260011-0	REGULATOR ASSY	1		INCLUDING 7-3
9	0-35931-0020	1-81229516-0	CLIP	1		

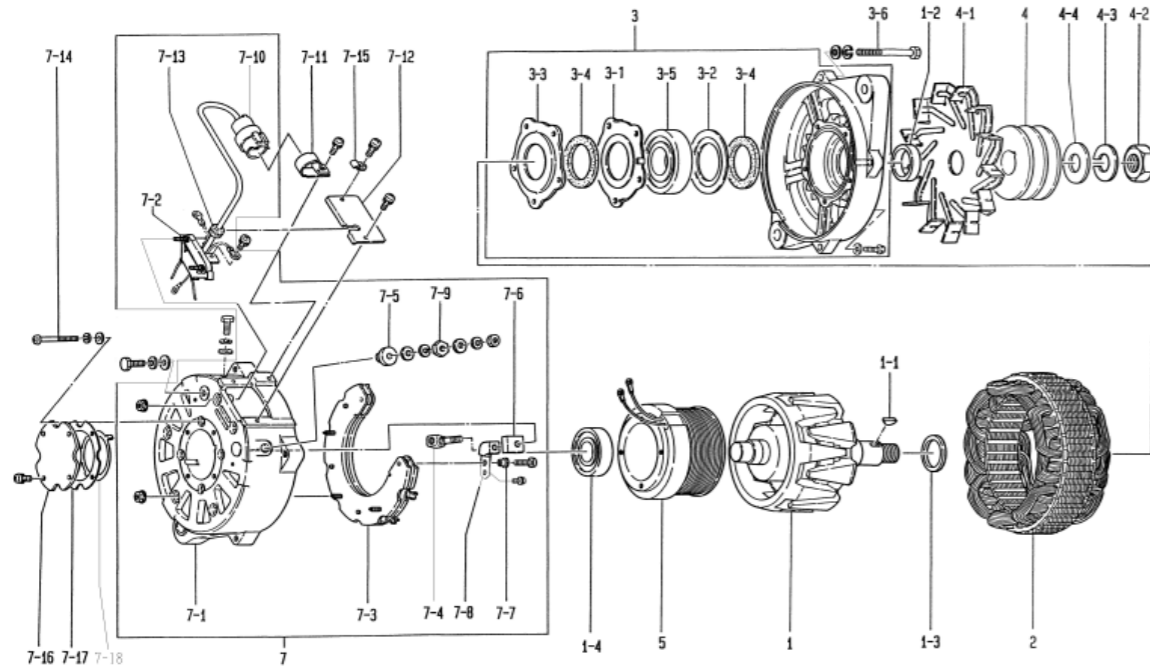


0-35000-8242 ALTERNATOR

OEM CUSTOMER	ISUZU	OEM PARTS NUMBER	1-81200455-2
NOMINAL OUT PUT	24V 90A	SUPPLY TERM	97.03~
WEIGHT	22.5kg	REGULATOR	OPTIONAL
ENGINE MODEL	10PE1, OTHERS		
VEHICLE	LR, LT, LV, OTHERS		
DESIGN RECORD	8240→8241	HOLDER CHANGED FOR PREVENTION OF CONNECTOR PULLING OUT	
	8241→8242	PULLEY CHANGED	
NOTE	V15 TYPE V BELT DOUBLE PEAKS (QUENCHED) CLOCKWISE ROTATION INTEGRATED TYPE OF 0-35000-3405*, 5813, 6090, 6150(60A), 0-35000-8083, 8240, 8241 * MARKED MODELS NEED OPTIONAL TERMINAL ASSY 0-35780-0370.		

0-35000-8242 ALTERNATOR (MAKER PART NO 1-81200455-2)

No	Parts Number	Maker Parts No	Description	Qty	List Price	Note
1	0-35100-0270	1-81221095-0	ROTOR ASSY	1		
1-1	1-0416-04160	9-82215867-0	WOODRUFF KEY	1		
1-2	1-33923-0890	1-81229626-0	COLLAR	1		
1-3	1-35923-0030	1-81229627-0	COLLAR	1		
1-4	0-09201-0860	1-81229690-0	BALL BEARING	1		REAR
2	0-35200-0330	1-81211112-0	STATOR ASSY	1		
3	0-35300-0110	1-81213087-0	F.BRACKET ASSY	1		INCLUDING 3-1~3-5
3-1	0-35926-0100	1-81229695-0	RETAINER	1		
3-2	1-33926-0790	1-81229349-0	RETAINER	1		
3-3	0-35926-0110	1-81229696-0	RETAINER	1		
3-4	0-35951-0080	1-81229630-0	PACKING	2		
3-5	0-09201-0760	1-81229631-0	BALL BEARING	1		FRONT
3-6	0-0093-08102	1-81229632-0	BOLT	4		THROUGH BOLT
4	0-35411-0481	1-81222109-0	PULLEY	1		
4-1	1-33421-0500	1-81223003-0	FAN	1		
4-2	0-0280-22022	9-82216098-0	NUT	1		
4-3	1-0335-22002	1-81229672-0	SPRING WASHER	1		
4-4	1-0330-22012	1-81229673-0	PLAIN WASHER	1		
5	0-35120-0120	1-81212010-0	FIELD COIL CO	1		
7	0-35700-0620	1-81214327-0	R.BRACKET ASSY	1		INCLUDING 7-1~7-10, 7-13
7-1	0-35710-0730	1-81229691-0	R.BRACKET CO	1		
7-2	0-35780-0510	1-81229693-0	TERMINAL ASSY	1		INCLUDING 7-10, 7-13
7-3	0-35730-0162	1-81219114-0	RECTIFIER ASSY	1		
7-4	0-35901-0150	1-81229698-0	BOLT	1		
7-5	0-35943-0100	1-81229635-0	INSULATE BUSH	1		
7-6	1-33943-0950	1-81229352-0	INSULATE BUSH	1		
7-7	1-33943-0450	1-81229001-0	INSULATE BUSH	2		
7-8	0-35784-0180	1-81229699-0	CONNECT BAR	1		
7-9	0-33902-0100	1-81229586-0	NUT	1		
7-10	0-35780-0520	1-81229697-0	TERMINAL ASSY	1		
7-11	0-35927-0050	1-81229703-0	HOLDER	1		
7-12	0-35761-0140	1-81229639-0	COVER	1		
7-13	1-33953-0180	1-81229640-0	GUM BUSH	1		
7-14	1-0020-06552	1-81229641-0	SCREW	4		
7-15	1-37932-0120	1-81229700-0	CLAMP	1		
7-16	0-35301-0010	1-81229692-0	BEARING COVER	1		
7-17	0-35951-0090	1-81229701-0	PACKING	1		
7-18	1-33931-0090	1-81229195-0	CLIP	1		



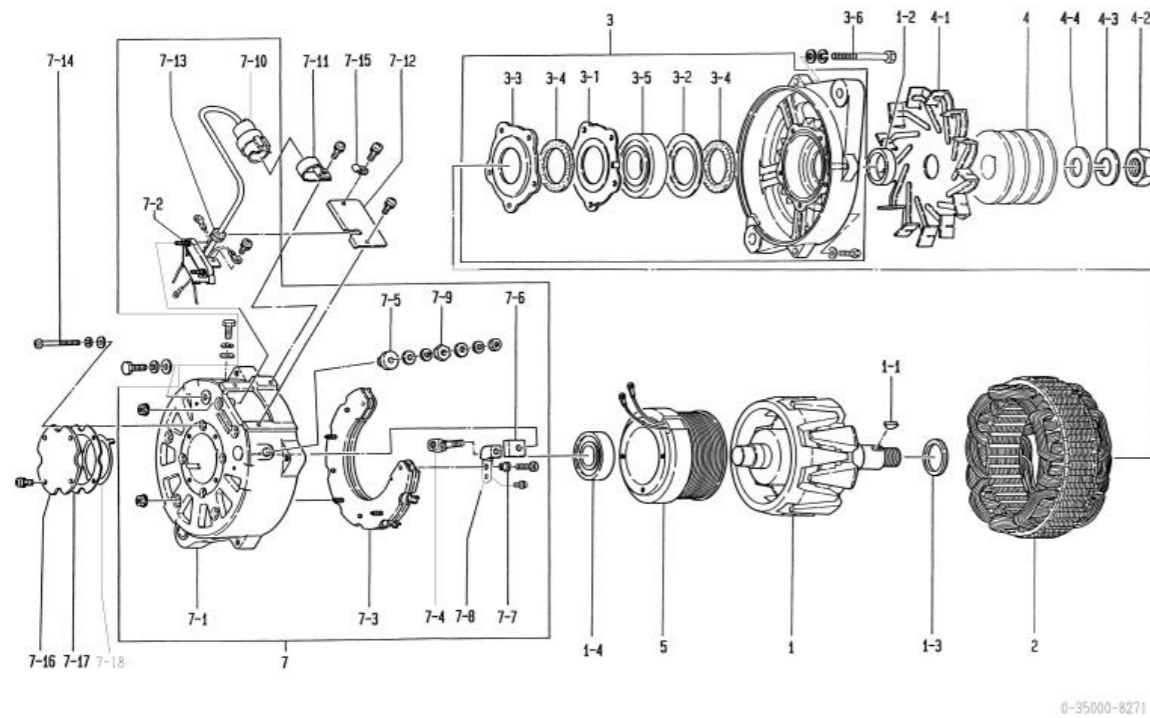
0-35000-8242

0-35000-8271 ALTERNATOR

OEM CUSTOMER	ISUZU	OEM PARTS NUMBER	1-81200458-1
NOMINAL OUT PUT	24V 110A	SUPPLY TERM	94.07~
WEIGHT	22.5kg	REGULATOR	OPTIONAL
ENGINE MODEL	6Q, 6R		
VEHICLE	LV, OTHERS		
DESIGN RECORD	8270 →8271	HOLDER CHANGED FOR PREVENTION OF CONNECTOR PULLING OUT	
NOTE	V13 TYPE V BELT TRIPLE PEAKS CLOCKWISE ROTATION INTEGRATED TYPE OF 0-33000-3674*, 0-35000-8073, 8270 * MARKED MODELS NEED OPTIONAL TERMINAL ASSY 0-35780-0370.		

0-35000-8271 ALTERNATOR (MAKER PART NO 1-81200458-1)

No	Parts Number	Maker Parts No	Description	Qty	List Price	Note
1	0-35100-0270	1-81221095-0	ROTOR ASSY	1		
1-1	1-0416-04160	9-82215867-0	WOODRUFF KEY	1		
1-2	1-33923-0890	1-81229626-0	COLLAR	1		
1-3	1-35923-0030	1-81229627-0	COLLAR	1		
1-4	0-09201-0860	1-81229690-0	BALL BEARING	1		REAR
2	0-35200-0290	1-81211104-0	STATOR ASSY	1		
3	0-35300-0110	1-81213087-0	F.BRACKET ASSY	1		INCLUDING 3-1~3-5
3-1	0-35926-0100	1-81229695-0	RETAINER	1		
3-2	1-33926-0790	1-81229349-0	RETAINER	1		
3-3	0-35926-0110	1-81229696-0	RETAINER	1		
3-4	0-35951-0080	1-81229630-0	PACKING	2		
3-5	0-09201-0760	1-81229631-0	BALL BEARING	1		FRONT
3-6	0-0093-08102	1-81229632-0	BOLT	4		THROUGH BOLT
4	0-35411-0460	1-81222086-0	PULLEY	1		
4-1	1-33421-0500	1-81223003-0	FAN	1		
4-2	0-0280-22022	9-82216098-0	NUT	1		
4-3	1-0335-22002	1-81229672-0	SPRING WASHER	1		
4-4	1-0330-22012	1-81229673-0	PLAIN WASHER	1		
5	0-35120-0120	1-81212010-0	FIELD COIL CO	1		
7	0-35700-0630	1-81214328-0	R.BRACKET ASSY	1		INCLUDING 7-1~7-10, 7-13
7-1	0-35710-0730	1-81229691-0	R.BRACKET CO	1		
7-2	0-35780-0530	1-81229694-0	TERMINAL ASSY	1		INCLUDING 7-10, 7-13
7-3	0-35730-0162	1-81219114-0	RECTIFIER ASSY	1		
7-4	0-35901-0150	1-81229698-0	BOLT	1		
7-5	0-35943-0100	1-81229635-0	INSULATE BUSH	1		
7-6	1-33943-0950	1-81229352-0	INSULATE BUSH	1		
7-7	1-33943-0450	1-81229001-0	INSULATE BUSH	2		
7-8	0-35784-0180	1-81229699-0	CONNECT BAR	1		
7-9	0-33902-0100	1-81229586-0	NUT	1		
7-10	0-35780-0520	1-81229697-0	TERMINAL ASSY	1		
7-11	0-35927-0050	1-81229703-0	HOLDER	1		
7-12	0-35761-0140	1-81229639-0	COVER	1		
7-13	1-33953-0180	1-81229640-0	GUM BUSH	1		
7-14	1-0020-06552	1-81229641-0	SCREW	4		
7-15	1-37932-0120	1-81229700-0	CLAMP	1		
7-16	0-35301-0010	1-81229692-0	BEARING COVER	1		
7-17	0-35951-0090	1-81229701-0	PACKING	1		
7-18	1-33931-0090	1-81229195-0	CLIP	1		

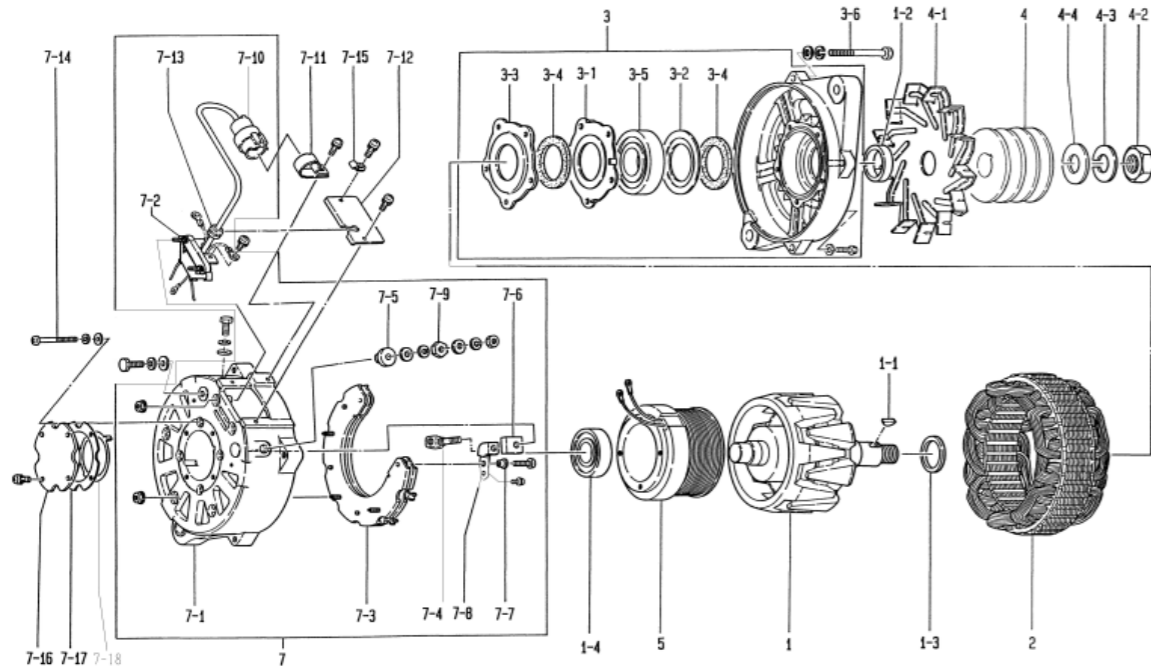


0-35000-8281 ALTERNATOR

OEM CUSTOMER	ISUZU	OEM PARTS NUMBER	8-94394796-1
NOMINAL OUT PUT	24V 90A	SUPPLY TERM	94.07~
WEIGHT	22.5kg	REGULATOR	OPTIONAL
ENGINE MODEL	6H, OTHERS		
VEHICLE	LR, LT, MR, OTHERS		
DESIGN RECORD	8280 →8281	HOLDER CHANGED FOR PREVENTION OF CONNECTOR PULLING OUT	
NOTE	V15 TYPE V BELT TRIPLE PEAKS CLOCKWISE ROTATION INTEGRATED TYPE OF 0-35000-8162, 8280		

0-35000-8281 ALTERNATOR (MAKER PART NO 8-94394796-1)

No	Parts Number	Maker Parts No	Description	Qty	List Price	Note
1	0-35100-0270	1-81221095-0	ROTOR ASSY	1		
1-1	1-0416-04160	9-82215867-0	WOODRUFF KEY	1		
1-2	1-33923-0890	1-81229626-0	COLLAR	1		
1-3	1-35923-0030	1-81229627-0	COLLAR	1		
1-4	0-09201-0860	1-81229690-0	BALL BEARING	1		REAR
2	0-35200-0330	1-81211112-0	STATOR ASSY	1		
3	0-35300-0110	1-81213087-0	F.BRACKET ASSY	1		INCLUDING 3-1~3-5
3-1	0-35926-0100	1-81229695-0	RETAINER	1		
3-2	1-33926-0790	1-81229349-0	RETAINER	1		
3-3	0-35926-0110	1-81229696-0	RETAINER	1		
3-4	0-35951-0080	1-81229630-0	PACKING	2		
3-5	0-09201-0760	1-81229631-0	BALL BEARING	1		FRONT
3-6	0-0093-08102	1-81229632-0	BOLT	4		THROUGH BOLT
4	0-35411-0470	1-81222087-0	PULLEY	1		
4-1	1-33421-0500	1-81223003-0	FAN	1		
4-2	0-0280-22022	9-82216098-0	NUT	1		
4-3	1-0335-22002	1-81229672-0	SPRING WASHER	1		
4-4	1-0330-22012	1-81229673-0	PLAIN WASHER	1		
5	0-35120-0120	1-81212010-0	FIELD COIL CO	1		
7	0-35700-0620	1-81214327-0	R.BRACKET ASSY	1		INCLUDING 7-1~7-10, 7-13
7-1	0-35710-0730	1-81229691-0	R.BRACKET CO	1		
7-2	0-35780-0510	1-81229693-0	TERMINAL ASSY	1		INCLUDING 7-10, 7-13
7-3	0-35730-0162	1-81219114-0	RECTIFIER ASSY	1		
7-4	0-35901-0150	1-81229698-0	BOLT	1		
7-5	0-35943-0100	1-81229635-0	INSULATE BUSH	1		
7-6	1-33943-0950	1-81229352-0	INSULATE BUSH	1		
7-7	1-33943-0450	1-81229001-0	INSULATE BUSH	2		
7-8	0-35784-0180	1-81229699-0	CONNECT BAR	1		
7-9	0-33902-0100	1-81229586-0	NUT	1		
7-10	0-35780-0520	1-81229697-0	TERMINAL ASSY	1		
7-11	0-35927-0050	1-81229703-0	HOLDER	1		
7-12	0-35761-0140	1-81229639-0	COVER	1		
7-13	1-33953-0180	1-81229640-0	GUM BUSH	1		
7-14	1-0020-06552	1-81229641-0	SCREW	4		
7-15	1-37932-0120	1-81229700-0	CLAMP	1		
7-16	0-35301-0010	1-81229692-0	BEARING COVER	1		
7-17	0-35951-0090	1-81229701-0	PACKING	1		
7-18	1-33931-0090	1-81229195-0	CLIP	1		



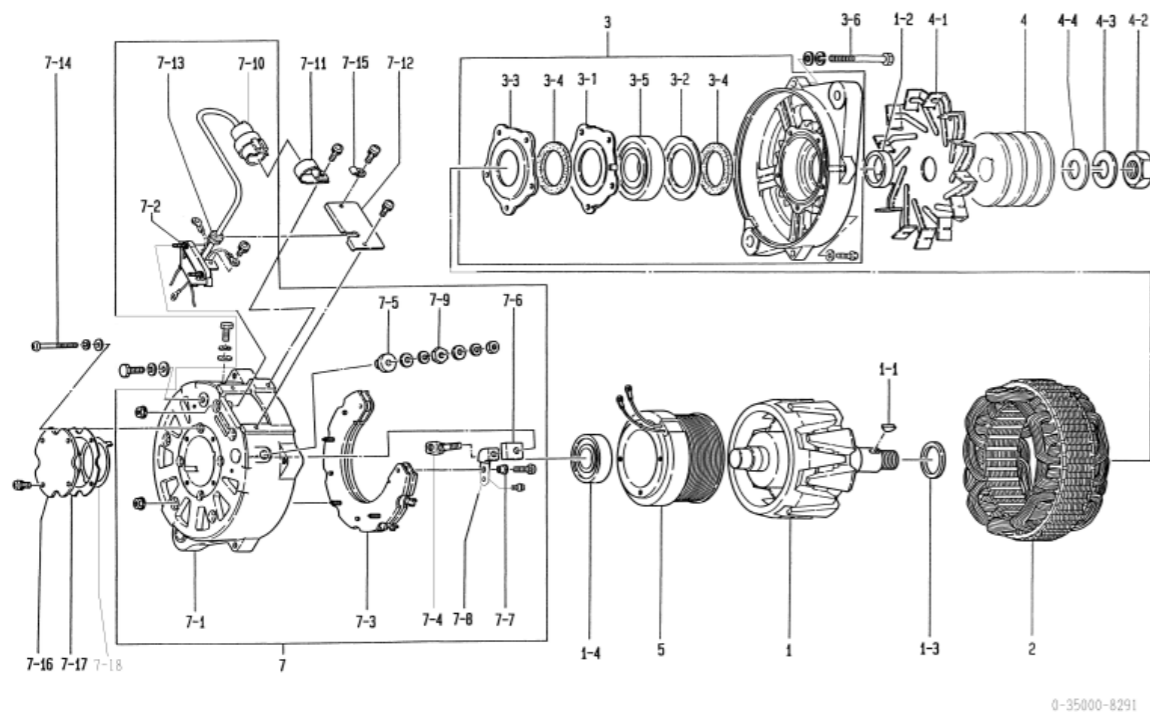
0-35000-8281

0-35000-8291 ALTERNATOR

OEM CUSTOMER	ISUZU	OEM PARTS NUMBER	8-94394797-1
NOMINAL OUT PUT	24V 110A	SUPPLY TERM	94.07~
WEIGHT	22.5kg	REGULATOR	OPTIONAL
ENGINE MODEL	6H, OTHERS		
VEHICLE	GR, LR, LT, OTHERS		
DESIGN RECORD	8290 →8291	HOLDER CHANGED FOR PREVENTION OF CONNECTOR PULLING OUT	
NOTE	V15 TYPE V BELT TRIPLE PEAKS CLOCKWISE ROTATION INTEGRATED TYPE OF 0-35000-8113, 8290		

0-35000-8291 ALTERNATOR (MAKER PART NO 8-94394797-1)

No	Parts Number	Maker Parts No	Description	Qty	List Price	Note
1	0-35100-0270	1-81221095-0	ROTOR ASSY	1		
1-1	1-0416-04160	9-82215867-0	WOODRUFF KEY	1		
1-2	1-33923-0890	1-81229626-0	COLLAR	1		
1-3	1-35923-0030	1-81229627-0	COLLAR	1		
1-4	0-09201-0860	1-81229690-0	BALL BEARING	1		REAR
2	0-35200-0290	1-81211104-0	STATOR ASSY	1		
3	0-35300-0110	1-81213087-0	F.BRACKET ASSY	1		INCLUDING 3-1~3-5
3-1	0-35926-0100	1-81229695-0	RETAINER	1		
3-2	1-33926-0790	1-81229349-0	RETAINER	1		
3-3	0-35926-0110	1-81229696-0	RETAINER	1		
3-4	0-35951-0080	1-81229630-0	PACKING	2		
3-5	0-09201-0760	1-81229631-0	BALL BEARING	1		FRONT
3-6	0-0093-08102	1-81229632-0	BOLT	4		THROUGH BOLT
4	0-35411-0470	1-81222087-0	PULLEY	1		
4-1	1-33421-0500	1-81223003-0	FAN	1		
4-2	0-0280-22022	9-82216098-0	NUT	1		
4-3	1-0335-22002	1-81229672-0	SPRING WASHER	1		
4-4	1-0330-22012	1-81229673-0	PLAIN WASHER	1		
5	0-35120-0120	1-81212010-0	FIELD COIL CO	1		
7	0-35700-0630	1-81214328-0	R.BRACKET ASSY	1		INCLUDING 7-1~7-10, 7-13
7-1	0-35710-0730	1-81229691-0	R.BRACKET CO	1		
7-2	0-35780-0530	1-81229694-0	TERMINAL ASSY	1		INCLUDING 7-10, 7-13
7-3	0-35730-0162	1-81219114-0	RECTIFIER ASSY	1		
7-4	0-35901-0150	1-81229698-0	BOLT	1		
7-5	0-35943-0100	1-81229635-0	INSULATE BUSH	1		
7-6	1-33943-0950	1-81229352-0	INSULATE BUSH	1		
7-7	1-33943-0450	1-81229001-0	INSULATE BUSH	2		
7-8	0-35784-0180	1-81229699-0	CONNECT BAR	1		
7-9	0-33902-0100	1-81229586-0	NUT	1		
7-10	0-35780-0520	1-81229697-0	TERMINAL ASSY	1		
7-11	0-35927-0050	1-81229703-0	HOLDER	1		
7-12	0-35761-0140	1-81229639-0	COVER	1		
7-13	1-33953-0180	1-81229640-0	GUM BUSH	1		
7-14	1-0020-06552	1-81229641-0	SCREW	4		
7-15	1-37932-0120	1-81229700-0	CLAMP	1		
7-16	0-35301-0010	1-81229692-0	BEARING COVER	1		
7-17	0-35951-0090	1-81229701-0	PACKING	1		
7-18	1-33931-0090	1-81229195-0	CLIP	1		



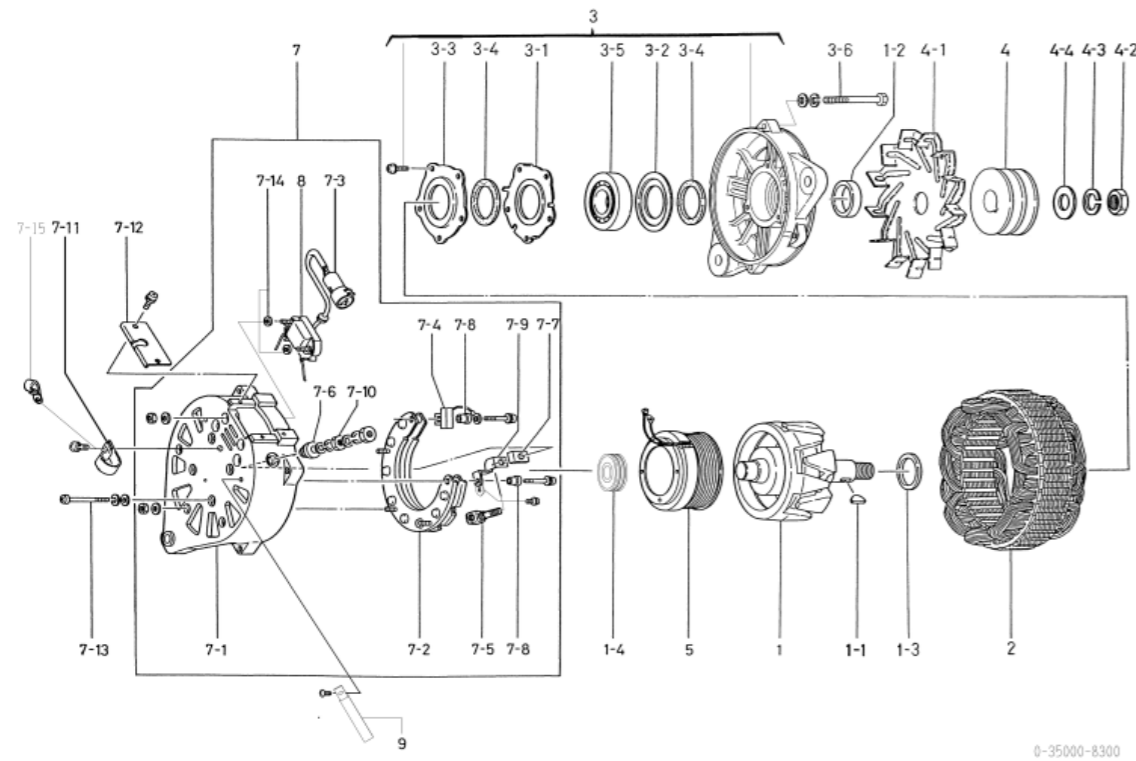
0-35000-8291

0-35000-8300 ALTERNATOR

OEM CUSTOMER	ISUZU	OEM PARTS NUMBER	1-81200461-1
NOMINAL OUT PUT	24V 90A	SUPPLY TERM	94.07~
WEIGHT	19 kg	REGULATOR	BUILT-IN
ENGINE MODEL	6HE1, OTHERS		
VEHICLE	FRR, FSR, FTR, OTHERS		
DESIGN RECORD			
NOTE	V15 TYPE V BELT DOUBLE PEAKS CLOCKWISE ROTATION PULLEY IS DIFFERENT FROM 0-35000-8480.		

0-35000-8300 ALTERNATOR (MAKER PART NO 1-81200461-1)

No	Parts Number	Maker Parts No	Description	Qty	List Price	Note
1	0-35100-0231	1-81221092-1	ROTOR ASSY	1		
1-1	1-0416-04160	9-82215867-0	WOODRUFF KEY	1		
1-2	1-33923-0890	1-81229626-0	COLLAR	1		
1-3	1-35923-0030	1-81229627-0	COLLAR	1		
1-4	0-09201-0770	1-81229628-0	BALL BEARING	1		REAR
2	0-35200-0340	1-81211114-0	STATOR ASSY	1		
3	0-35300-0140	1-81213088-0	F.BRACKET ASSY	1		INCLUDING 3-1~3-5
3-1	1-33926-0660	1-81229190-0	RETAINER	1		
3-2	1-33926-0790	1-81229349-0	RETAINER	1		
3-3	0-35926-0080	1-81229629-0	RETAINER	1		
3-4	0-35951-0080	1-81229630-0	PACKING	2		
3-5	0-09201-0760	1-81229631-0	BALL BEARING	1		FRONT
3-6	0-0083-08802	1-81229661-0	BOLT	4		THROUGH BOLT
4	0-35411-0481	1-81222109-0	PULLEY	1		
4-1	1-33421-0500	1-81223003-0	FAN	1		
4-2	0-0280-22022	9-82216098-0	NUT	1		
4-3	1-0335-22002	1-81229672-0	SPRING WASHER	1		
4-4	1-0330-22012	1-81229673-0	PLAIN WASHER	1		
5	0-35120-0150	1-81212014-0	FIELD COIL CO	1		
7	0-35700-0670	1-81214331-0	R.BRACKET ASSY	1		INCLUDING 7-1~7-10, 7-14, 8
7-1	0-35710-0770	1-81214332-0	R.BRACKET CO	1		
7-2	0-35730-0162	1-81219114-0	RECTIFIER ASSY	1		
7-3	0-35780-0630	1-81229705-0	TERMINAL ASSY	1		
7-4	0-09170-1860	8-94338867-0	CONDENSER	1		
7-5	0-35901-0150	1-81229698-0	BOLT	1		
7-6	0-35943-0100	1-81229635-0	INSULATE BUSH	1		
7-7	1-33943-0950	1-81229352-0	INSULATE BUSH	1		
7-8	1-33943-0450	1-81229001-0	INSULATE BUSH	2		
7-9	0-35784-0180	1-81229699-0	CONNECT BAR	1		
7-10	0-33902-0100	1-81229586-0	NUT	1		
7-11	0-35927-0010	1-81217053-0	HOLDER	1		
7-12	0-35761-0190	1-81229714-0	COVER	1		
7-13	1-0020-06452	1-81229664-0	SCREW	4		
7-14	0-35923-0120	1-81229681-0	COLLAR	2		
7-15	1-33931-0021	1-81229122-0	CLIP	1		
8	0-35719-0160	1-81260012-0	REGULATOR ASSY	1		INCLUDING 7-3
9	0-35931-0020	1-81229516-0	CLIP	1		



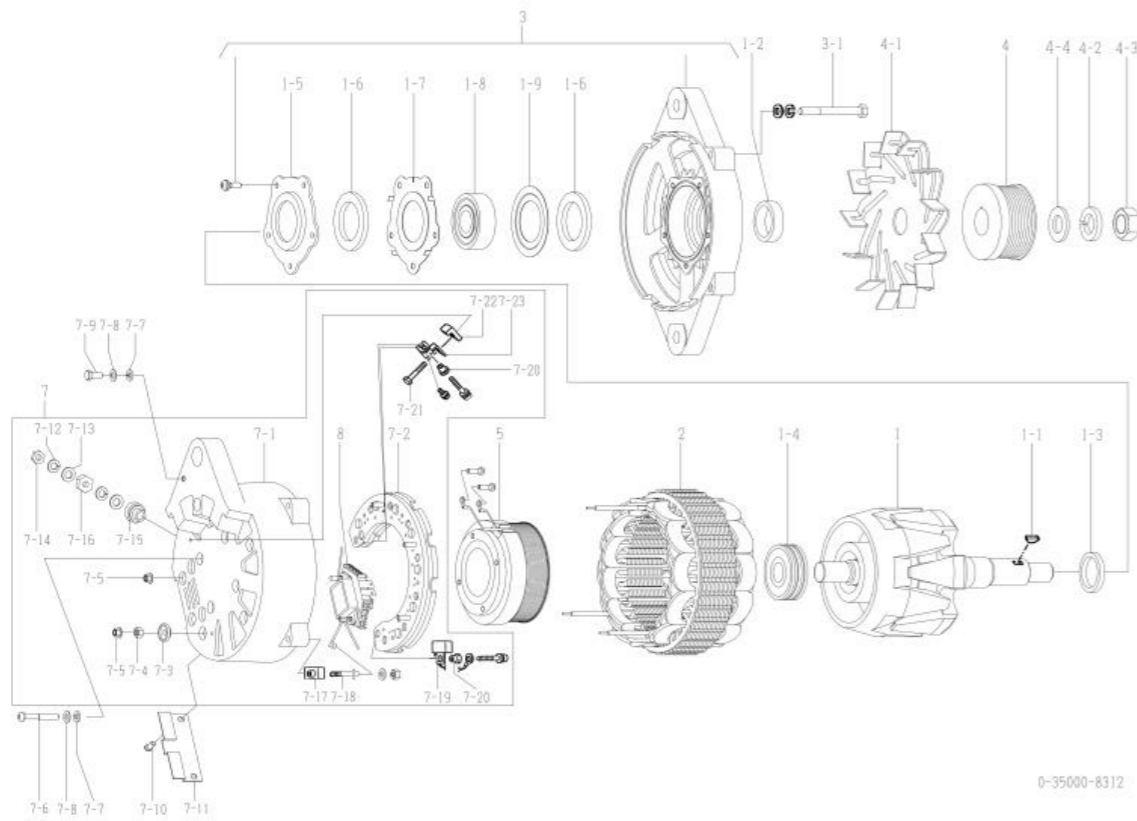
0-35000-8300

0-35000-8312 ALTERNATOR

OEM CUSTOMER	KOMATSU	OEM PARTS NUMBER	600-861-9111
NOMINAL OUT PUT	24V 90A	SUPPLY TERM	15.03~
WEIGHT	19kg	REGULATOR	BUILT-IN
ENGINE MODEL	S6D102E		
VEHICLE	WA100, WA200E-3, OTHERS		
DESIGN RECORD	8310 →8311	BALL BEARING (FRONT) CHANGED	
	8311 →8312	BALL BEARING (FRONT) CHANGED	
NOTE	K TYPE V BELT 8 PEAKS CLOCKWISE ROTATION		

0-35000-8312 ALTERNATOR (MAKER PART NO 600-861-9111)

No	Parts Number	Maker Parts No	Description	Qty	List Price	Note
1	0-35100-0231		ROTOR ASSY	1		
1-1	1-0416-04160		WOODRUFF KEY	1		
1-2	1-33923-0890		COLLAR	1		
1-3	1-33923-0030		COLLAR	1		
1-4	0-09201-0770		BALL BEARING	1		REAR
1-5	0-35926-0080		RETAINER	1		
1-6	0-35951-0080		PACKING	2		
1-7	1-33926-0660		RETAINER	1		
1-8	0-09201-1570		BALL BEARING	1		FRONT
1-9	1-33926-0790		RETAINER	1		
2	0-35200-0320		STATOR ASSY	1		
3	0-35300-0172		F.BRACKET ASSY	1		INCLUDING 1-5~1-9
3-1	0-0083-08802		BOLT	4		THROUGH BOLT
4	0-35411-0651		PULLEY	1		
4-1	1-33421-0500		FAN	1		
4-2	1-0335-22002		SPRING WASHER	1		
4-3	0-0280-22022		NUT	1		
4-4	1-0330-22012		PLAIN WASHER	1		
5	0-35120-0250		FIELD COIL CO	1		
7	0-35700-0721		R.BRACKET ASSY	1		INC. 7-1~7-5, 7-12~7-23, 8
7-1	0-35710-0830		REAR BRACKET CO	1		
7-2	0-35730-0162		RECTIFIER ASSY	1		
7-3	0-35943-0211		INSULATE BUSH	1		
7-4	0-33902-0090		NUT	1		
7-5	0-33902-0080		NUT	6		
7-6	1-0020-06452		SCREW	4		
7-7	1-0330-06012		PLAIN WASHER	5		
7-8	1-0335-06002		SPRING WASHER	5		
7-9	0-0080-06142		BOLT	1		
7-10	0-0055-05122		SCREW	2		
7-11	0-35761-0190		COVER	1		
7-12	1-0335-08002		SPRING WASHER	2		
7-13	1-0331-08020		PLAIN WASHER	2		
7-14	0-0291-08010		NUT	1		
7-15	0-35943-0100		INSULATE BUSH	1		
7-16	0-33902-0100		NUT	1		
7-17	1-33943-0870		INSULATE BUSH	1		
7-18	0-33901-0630		BOLT	1		
7-19	0-09170-1860		CONDENSER	1		
7-20	1-33943-0450		INSULATE BUSH	2		
7-21	0-35901-0150		BOLT	1		
7-22	1-33943-0950		INSULATE BUSH	1		
7-23	0-35784-0180		CONNECT BAR	1		
8	0-35719-0181		REGULATOR ASSY	1		

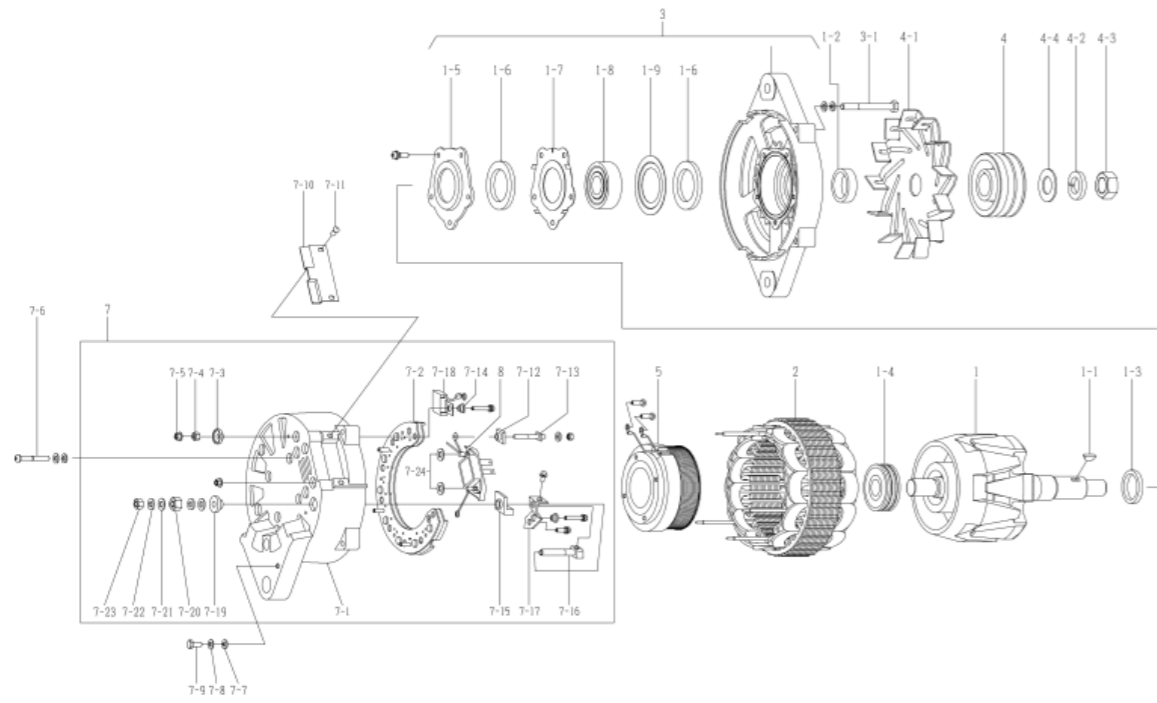


0-35000-8352 ALTERNATOR

OEM CUSTOMER	KOMATSU	OEM PARTS NUMBER	600-825-9111
NOMINAL OUT PUT	24V 90A	SUPPLY TERM	15.03~
WEIGHT	19kg	REGULATOR	BUILT-IN
ENGINE MODEL	SA6D140E-3B, OTHERS		
VEHICLE	PC600-6, OTHERS		
DESIGN RECORD	8350 →8351	BALL BEARING (FRONT) CHANGED	
	8351 →8352	BALL BEARING (FRONT) CHANGED	
NOTE	10 TYPE V BELT DOUBLE PEAKS COUNTERCLOCKWISE ROTATION PULLEY IS DIFFERENT FROM 0-35000-8502.		

0-35000-8352 ALTERNATOR (MAKER PART NO 600-825-9111)

No	Parts Number	Maker Parts No	Description	Qty	List Price	Note
1	0-35100-0231		ROTOR ASSY	1		
1-1	1-0416-04160		WOODRUFF KEY	1		
1-2	1-33923-0890		COLLAR	1		
1-3	1-33923-0030		COLLAR	1		
1-4	0-09201-0770		BALL BEARING	1		REAR
1-5	0-35926-0080		RETAINER	1		
1-6	0-35951-0080		PACKING	2		
1-7	1-33926-0660		RETAINER	1		
1-8	0-09201-1570		BALL BEARING	1		FRONT
1-9	1-33926-0790		RETAINER	1		
2	0-35200-0320		STATOR ASSY	1		
3	0-35300-0202		F.BRACKET ASSY	1		INCLUDING 1-5~1-9
3-1	0-0083-08802		BOLT	4		THROUGH BOLT
4	0-35411-0681		PULLEY	1		
4-1	0-35421-0180		FAN	1		
4-2	1-0335-22002		SPRING WASHER	1		
4-3	0-0280-22022		NUT	1		
4-4	1-0330-22012		WASHER	1		
5	0-35120-0250		FIELD COIL CO	1		
7	0-35700-0761		R.BRACKET ASSY	1		INC. 7-1~7-5, 7-12~7-24, 8
7-1	0-35710-0890		REAR BRACKET CO	1		
7-2	0-35730-0162		RECTIFIER ASSY	1		
7-3	0-35943-0211		INSULATE BUSH	1		
7-4	0-33902-0090		NUT	1		
7-5	0-33902-0080		NUT	6		
7-6	1-0020-06452		SCREW	4		
7-7	1-0330-06012		PLAIN WASHER	5		
7-8	1-0335-06002		SPRING WASHER	5		
7-9	0-0080-06142		BOLT	1		
7-10	0-35761-0190		COVER	1		
7-11	0-0055-05122		SCREW	2		
7-12	1-33943-0870		INSULATE BUSH	1		
7-13	0-33901-0630		BOLT	1		
7-14	1-33943-0450		INSULATE BUSH	2		
7-15	0-09103-0451		INSULATE BUSH	1		
7-16	0-09001-5280		BOLT	1		
7-17	0-35784-0220		CONNECT BAR	1		
7-18	0-09170-1860		CONDENSER	1		
7-19	0-35943-0100		INSULATE BUSH	1		
7-20	0-33902-0100		NUT	1		
7-21	1-0331-08020		PLAIN WASHER	2		
7-22	1-0335-08002		SPRING WASHER	2		
7-23	0-0291-08010		NUT	1		
7-24	0-35923-0120		COLLAR	2		
8	0-35719-0181		REGULATOR ASSY	1		



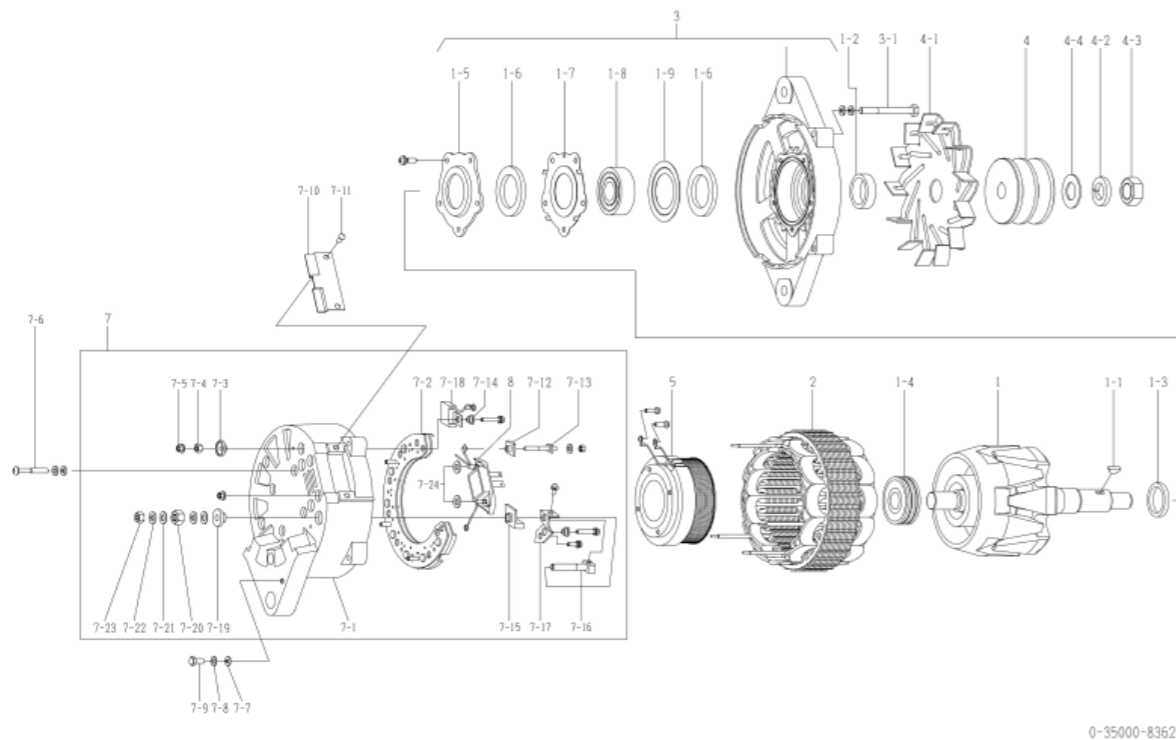
0-35000-8352

0-35000-8362 ALTERNATOR

OEM CUSTOMER	KOMATSU	OEM PARTS NUMBER	600-825-9151
NOMINAL OUT PUT	24V 90A	SUPPLY TERM	15.03~
WEIGHT	19kg	REGULATOR	BUILT-IN
ENGINE MODEL	S6D125-1, OTHERS		
VEHICLE	INDUSTRY, OTHERS		
DESIGN RECORD	8360 →8361	BALL BEARING (FRONT) CHANGED	
	8361 →8362	BALL BEARING (FRONT) CHANGED	
NOTE	22 TYPE V BELT DOUBLE PEAKS CLOCKWISE ROTATION INTEGRATED MODEL OF 0-35000-8000 PULLEY IS DIFFERENT FROM 0-35000-8402, 8432, 8492, 8572, 8612, 8642.		

0-35000-8362 ALTERNATOR (MAKER PART NO 600-825-9151)

No	Parts Number	Maker Parts No	Description	Qty	List Price	Note
1	0-35100-0311		ROTOR ASSY	1		
1-1	1-0416-04160		WOODRUFF KEY	1		
1-2	1-33923-0890		COLLAR	1		
1-3	1-35923-0030		COLLAR	1		
1-4	0-09201-0770		BALL BEARING	1		REAR
1-5	0-35926-0080		RETAINER	1		
1-6	0-35951-0080		PACKING	2		
1-7	1-33926-0660		RETAINER	1		
1-8	0-09201-1570		BALL BEARING	1		FRONT
1-9	1-33926-0790		RETAINER	1		
2	0-35200-0320		STATOR ASSY	1		
3	0-35300-0202		F.BRACKET ASSY	1		INCLUDING 1-5~1-9
3-1	0-0083-08802		BOLT	4		THROUGH BOLT
4	0-35411-0670		PULLEY	1		
4-1	0-35421-0190		FAN	1		
4-2	1-0335-20002		SPRING WASHER	1		
4-3	0-0290-20022		NUT	1		
4-4	1-35921-0010		WASHER	1		
5	0-35120-0250		FIELD COIL CO	1		
7	0-35700-0761		R.BRACKET ASSY	1		INC. 7-1~7-5, 7-12~7-24, 8
7-1	0-35710-0890		REAR BRACKET CO	1		
7-2	0-35730-0162		RECTIFIER ASSY	1		
7-3	0-35943-0211		INSULATE BUSH	1		
7-4	0-33902-0090		NUT	1		
7-5	0-33902-0080		NUT	6		
7-6	1-0020-06452		SCREW	4		
7-7	1-0330-06012		PLAIN WASHER	5		
7-8	1-0335-06002		SPRING WASHER	5		
7-9	0-0080-06142		BOLT	1		
7-10	0-35761-0190		COVER	1		
7-11	0-0055-05122		SCREW	2		
7-12	1-33943-0870		INSULATE BUSH	1		
7-13	0-33901-0630		BOLT	1		
7-14	1-33943-0450		INSULATE BUSH	2		
7-15	0-09103-0451		INSULATE BUSH	1		
7-16	0-09001-5280		BOLT	1		
7-17	0-35784-0220		CONNECT BAR	1		
7-18	0-09170-1860		CONDENSER	1		
7-19	0-35943-0100		INSULATE BUSH	1		
7-20	0-33902-0100		NUT	1		
7-21	1-0331-08020		PLAIN WASHER	2		
7-22	1-0335-08002		SPRING WASHER	2		
7-23	0-0291-08010		NUT	1		
7-24	0-35923-0120		COLLAR	2		
8	0-35719-0181		REGULATOR ASSY	1		

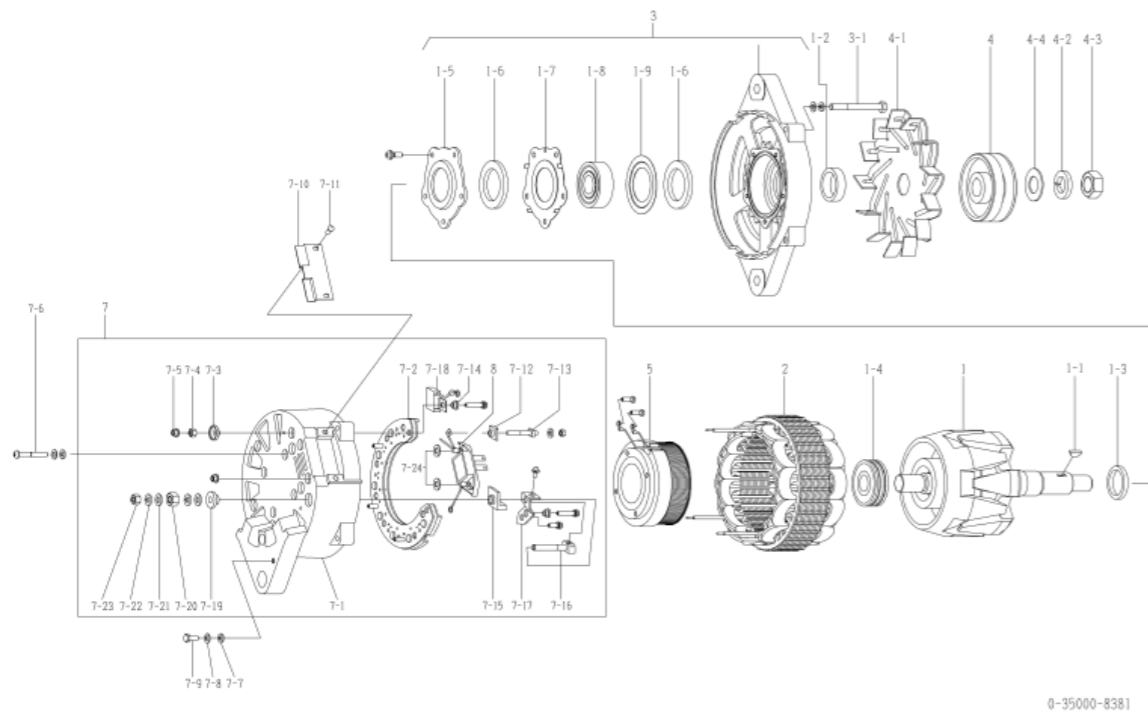


0-35000-8381 ALTERNATOR

OEM CUSTOMER	KOMATSU	OEM PARTS NUMBER	600-825-9231
NOMINAL OUT PUT	24V 90A	SUPPLY TERM	11.07~
WEIGHT	19kg	REGULATOR	BUILT-IN
ENGINE MODEL	SA12V140-1U		
VEHICLE	HD785-5		
DESIGN RECORD	8380 →8381	BALL BEARING (FRONT) CHANGED	
NOTE	19 TYPE V BELT SINGLE PEAK COLD RESISTENCE CLOCKWISE ROTATION INTEGRATED MODEL OF 0-35000-8030		

0-35000-8381 ALTERNATOR (MAKER PART NO 600-825-9231)

No	Parts Number	Maker Parts No	Description	Qty	List Price	Note
1	0-35100-0311		ROTOR ASSY	1		
1-1	1-0416-04160		WOODRUFF KEY	1		
1-2	1-33923-0890		COLLAR	1		
1-3	1-35923-0030		COLLAR	1		
1-4	0-09201-1030		BALL BEARING	1		REAR
1-5	0-35926-0080		RETAINER	1		
1-6	0-35951-0080		PACKING	2		
1-7	1-33926-0660		RETAINER	1		
1-8	0-09201-1410		BALL BEARING	1		FRONT
1-9	1-33926-0790		RETAINER	1		
2	0-35200-0320		STATOR ASSY	1		
3	0-35300-0241		F.BRACKET ASSY	1		INCLUDING 1-5~1-9
3-1	0-0083-08802		BOLT	4		THROUGH BOLT
4	0-35411-0710		PULLEY	1		
4-1	1-33421-0500		FAN	1		
4-2	1-0335-20002		SPRING WASHER	1		
4-3	0-0290-20022		NUT	1		
4-4	1-35921-0010		WASHER	1		
5	0-35120-0250		FIELD COIL CO	1		
7	0-35700-0811		R.BRACKET ASSY	1		INC. 7-1~7-5, 7-12~7-24, 8
7-1	0-35710-0990		REAR BRACKET CO	1		
7-2	0-35730-0162		RECTIFIER ASSY	1		
7-3	0-35943-0211		INSULATE BUSH	1		
7-4	0-33902-0090		NUT	1		
7-5	0-33902-0080		NUT	6		
7-6	1-0020-06452		SCREW	4		
7-7	1-0330-06012		PLAIN WASHER	5		
7-8	1-0335-06002		SPRING WASHER	5		
7-9	0-0080-06142		BOLT	1		
7-10	0-35761-0190		COVER	1		
7-11	0-0055-05122		SCREW	2		
7-12	1-33943-0870		INSULATE BUSH	1		
7-13	0-33901-0630		BOLT	1		
7-14	1-33943-0450		INSULATE BUSH	2		
7-15	0-09103-0451		INSULATE BUSH	1		
7-16	0-09001-5280		BOLT	1		
7-17	0-35784-0220		CONNECT BAR	1		
7-18	0-09170-1860		CONDENSER	1		
7-19	0-35943-0100		INSULATE BUSH	1		
7-20	0-33902-0100		NUT	1		
7-21	1-0331-08020		PLAIN WASHER	2		
7-22	1-0335-08002		SPRING WASHER	2		
7-23	0-0291-08010		NUT	1		
7-24	0-35923-0120		COLLAR	2		
8	0-35719-0181		REGULATOR ASSY	1		

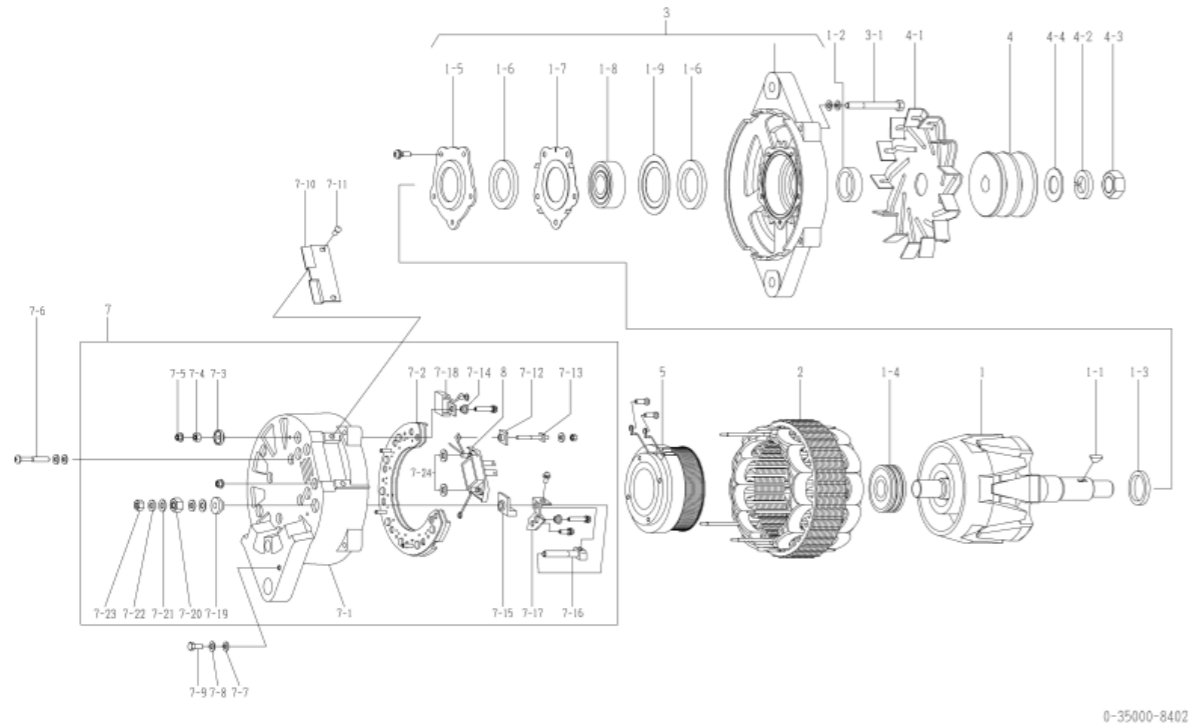


0-35000-8402 ALTERNATOR

OEM CUSTOMER	KOMATSU	OEM PARTS NUMBER	600-825-9721
NOMINAL OUT PUT	24V 90A	SUPPLY TERM	15.03~
WEIGHT	19kg	REGULATOR	BUILT-IN
ENGINE MODEL	SAA6D170E-3E, OTHERS		
VEHICLE	PC1250-7, OTHERS		
DESIGN RECORD	8400 →8401	BALL BEARING (FRONT) CHANGED	
	8401 →8402	BALL BEARING (FRONT) CHANGED	
NOTE	17 TYPE V BELT DOUBLE PEAKS CLOCKWISE ROTATION INTEGRATED MODEL OF 0-35000-8040 PULLEY IS DIFFERENT FROM 0-35000-8362, 8432, 8572, 8612, 8642.		

0-35000-8402 ALTERNATOR (MAKER PART NO 600-825-9721)

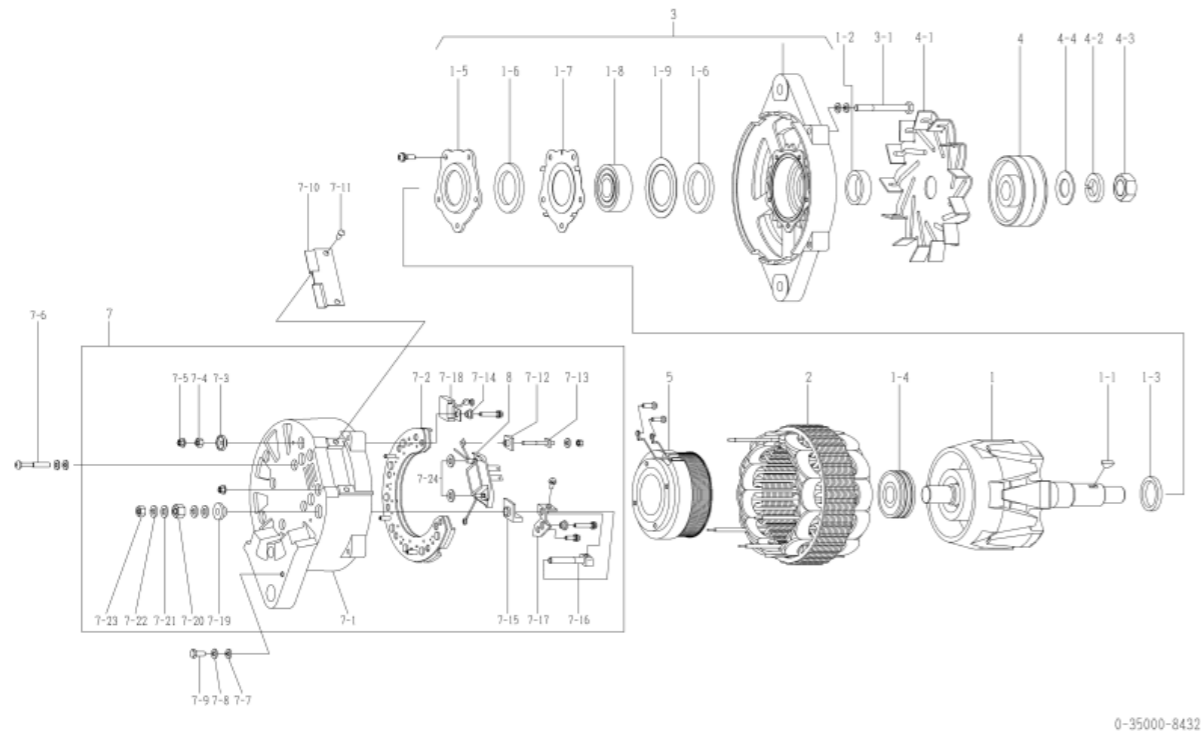
No	Parts Number	Maker Parts No	Description	Qty	List Price	Note
1	0-35100-0311		ROTOR ASSY	1		
1-1	1-0416-04160		WOODRUFF KEY	1		
1-2	1-33923-0890		COLLAR	1		
1-3	1-35923-0030		COLLAR	1		
1-4	0-09201-0770		BALL BEARING	1		REAR
1-5	0-35926-0080		RETAINER	1		
1-6	0-35951-0080		PACKING	2		
1-7	1-33926-0660		RETAINER	1		
1-8	0-09201-1570		BALL BEARING	1		FRONT
1-9	1-33926-0790		RETAINER	1		
2	0-35200-0320		STATOR ASSY	1		
3	0-35300-0202		F.BRACKET ASSY	1		INCLUDING 1-5~1-9
3-1	0-0083-08802		BOLT	4		THROUGH BOLT
4	0-35411-0720		PULLEY	1		
4-1	0-35421-0190		FAN	1		
4-2	1-0335-20002		SPRING WASHER	1		
4-3	0-0290-20022		NUT	1		
4-4	1-35921-0010		WASHER	1		
5	0-35120-0250		FIELD COIL CO	1		
7	0-35700-0761		R.BRACKET ASSY	1		INC. 7-1~7-5, 7-12~7-24 ,8
7-1	0-35710-0890		REAR BRACKET CO	1		
7-2	0-35730-0162		RECTIFIER ASSY	1		
7-3	0-35943-0211		INSULATE BUSH	1		
7-4	0-33902-0090		NUT	1		
7-5	0-33902-0080		NUT	6		
7-6	1-0020-06452		SCREW	4		
7-7	1-0330-06012		PLAIN WASHER	5		
7-8	1-0335-06002		SPRING WASHER	5		
7-9	0-0080-06142		BOLT	1		
7-10	0-35761-0190		COVER	1		
7-11	0-0055-05122		SCREW	2		
7-12	1-33943-0870		INSULATE BUSH	1		
7-13	0-33901-0630		BOLT	1		
7-14	1-33943-0450		INSULATE BUSH	2		
7-15	0-09103-0451		INSULATE BUSH	1		
7-16	0-09001-5280		BOLT	1		
7-17	0-35784-0220		CONNECT BAR	1		
7-18	0-09170-1860		CONDENSER	1		
7-19	0-35943-0100		INSULATE BUSH	1		
7-20	0-33902-0100		NUT	1		
7-21	1-0331-08020		PLAIN WASHER	2		
7-22	1-0335-08002		SPRING WASHER	2		
7-23	0-0291-08010		NUT	1		
7-24	0-35923-0120		COLLAR	2		
8	0-35719-0181		REGULATOR ASSY	1		



0-35000-8402

0-35000-8432 ALTERNATOR

OEM CUSTOMER	KOMATSU	OEM PARTS NUMBER	600-825-9131
NOMINAL OUT PUT	24V 90A	SUPPLY TERM	15.03~
WEIGHT	19kg	REGULATOR	BUILT-IN
ENGINE MODEL	SAA6D170E-2D		
VEHICLE	PC1100-6		
DESIGN RECORD	8430 →8431	F. BRACKET CHANGED	
	8431 →8432	F. BRACKET CHANGED	
NOTE	19 TYPE V BELT SINGLE PEAK CLOCKWISE ROTATION INTEGRATED MODEL OF 0-35000-8320 PULLEY IS DIFFERENT FROM 0-35000-8362, 8402, 8572, 8612, 8642.		



0-35000-8432 ALTERNATOR (MAKER PART NO 600-825-9131)

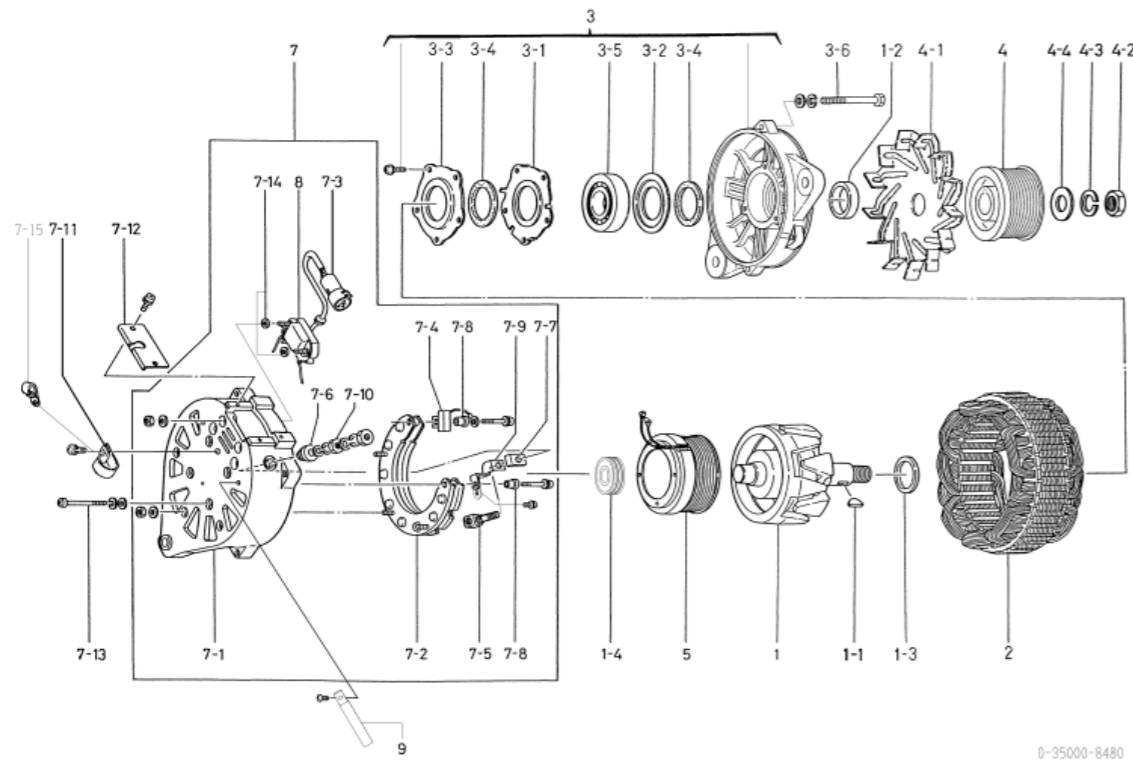
No	Parts Number	Maker Parts No	Description	Qty	List Price	Note
1	0-35100-0310		ROTOR ASSY	1		
1-1	1-0416-04160		WOODRUFF KEY	1		
1-2	1-33923-0890		COLLAR	1		
1-3	1-35923-0030		COLLAR	1		
1-4	0-09201-0770		BALL BEARING	1		REAR
1-5	0-35926-0080		RETAINER	1		
1-6	0-35951-0080		PACKING	2		
1-7	1-33926-0660		RETAINER	1		
1-8	0-09201-1570		BALL BEARING	1		FRONT
1-9	1-33926-0790		RETAINER	1		
2	0-35200-0320		STATOR ASSY	1		
3	0-35300-0202		F.BRACKET ASSY	1		INCLUDING 1-5~1-9
3-1	0-0083-08802		BOLT	4		THROUGH BOLT
4	0-35411-0740		PULLEY	1		
4-1	0-35421-0190		FAN	1		
4-2	1-0335-20002		SPRING WASHER	1		
4-3	0-0290-20022		NUT	1		
4-4	1-35921-0010		WASHER	1		
5	0-35120-0250		FIELD COIL CO	1		
7	0-35700-0761		R.BRACKET ASSY	1		INC. 7-1~7-5, 7-12~7-24, 8
7-1	0-35710-0890		REAR BRACKET CO	1		
7-2	0-35730-0162		RECTIFIER ASSY	1		
7-3	0-35943-0211		INSULATE BUSH	1		
7-4	0-33902-0090		NUT	1		
7-5	0-33902-0080		NUT	6		
7-6	1-0020-06452		SCREW	4		
7-7	1-0330-06012		PLAIN WASHER	5		
7-8	1-0335-06002		SPRING WASHER	5		
7-9	0-0080-06142		BOLT	1		
7-10	0-35761-0190		COVER	1		
7-11	0-0055-05122		SCREW	2		
7-12	1-33943-0870		INSULATE BUSH	1		
7-13	0-33901-0630		BOLT	1		
7-14	1-33943-0450		INSULATE BUSH	2		
7-15	0-09103-0451		INSULATE BUSH	1		
7-16	0-09001-5280		BOLT	1		
7-17	0-35784-0220		CONNECT BAR	1		
7-18	0-09170-1860		CONDENSER	1		
7-19	0-35943-0100		INSULATE BUSH	1		
7-20	0-33902-0100		NUT	1		
7-21	1-0331-08020		PLAIN WASHER	2		
7-22	1-0335-08002		SPRING WASHER	2		
7-23	0-0291-08010		NUT	1		
7-24	0-35923-0120		COLLAR	2		
8	0-35719-0181		REGULATOR ASSY	1		

0-35000-8480 ALTERNATOR

OEM CUSTOMER	ISUZU	OEM PARTS NUMBER	8-94390728-1
NOMINAL OUT PUT	24V 90A	SUPPLY TERM	97.09~
WEIGHT	19kg	REGULATOR	BUILT-IN
ENGINE MODEL	6H, OTHERS		
VEHICLE	FRR, FSR, FTR, OTHERS		
DESIGN RECORD			
NOTE	K TYPE V BELT 8 PEAKS CLOCKWISE ROTATION PULLEY IS DIFFERENT FROM 0-35000-8300.		

0-35000-8480 ALTERNATOR (MAKER PART NO 8-94390728-1)

No	Parts Number	Maker Parts No	Description	Qty	List Price	Note
1	0-35100-0231	1-81221092-1	ROTOR ASSY	1		
1-1	1-0416-04160	9-82215867-0	WOODRUFF KEY	1		
1-2	1-33923-0890	1-81229626-0	COLLAR	1		
1-3	1-35923-0030	1-81229627-0	COLLAR	1		
1-4	0-09201-0770	1-81229628-0	BALL BEARING	1		REAR
2	0-35200-0340	1-81211114-0	STATOR ASSY	1		
3	0-35300-0140	1-81213088-0	F.BRACKET ASSY	1		INCLUDING 3-1~3-5
3-1	1-33926-0660	1-81229190-0	RETAINER	1		
3-2	1-33926-0790	1-81229349-0	RETAINER	1		
3-3	0-35926-0080	1-81229629-0	RETAINER	1		
3-4	0-35951-0080	1-81229630-0	PACKING	2		
3-5	0-09201-0760	1-81229631-0	BALL BEARING	1		FRONT
3-6	0-0083-08802	1-81229661-0	BOLT	4		THROUGH BOLT
4	0-35411-0830	1-81222114-0	PULLEY	1		
4-1	1-33421-0500	1-81223003-0	FAN	1		
4-2	0-0280-22022	9-82216098-0	NUT	1		
4-3	1-0335-22002	1-81229672-0	SPRING WASHER	1		
4-4	1-0330-22012	1-81229673-0	PLAIN WASHER	1		
5	0-35120-0150	1-81212014-0	FIELD COIL CO	1		
7	0-35700-0670	1-81214331-0	R.BRACKET ASSY	1		INCLUDING 7-1~7-10, 7-14, 8
7-1	0-35710-0770	1-81214332-0	REAR BRACKET CO	1		
7-2	0-35730-0162	1-81219114-0	RECTIFIER ASSY	1		
7-3	0-35780-0630	1-81229705-0	TERMINAL ASSY	1		
7-4	0-09170-1860	8-94338867-0	CONDENSER	1		
7-5	0-35901-0150	1-81229698-0	BOLT	1		
7-6	0-35943-0100	1-81229635-0	INSULATE BUSH	1		
7-7	1-33943-0950	1-81229352-0	INSULATE BUSH	1		
7-8	1-33943-0450	1-81229001-0	INSULATE BUSH	2		
7-9	0-35784-0180	1-81229699-0	CONNECT BAR	1		
7-10	0-33902-0100	1-81229586-0	NUT	1		
7-11	0-35927-0010	1-81217053-0	HOLDER	1		
7-12	0-35761-0190	1-81229714-0	COVER	1		
7-13	1-0020-06452	1-81229664-0	SCREW	4		
7-14	0-35923-0120	1-81229681-0	COLLAR	2		
7-15	1-33931-0021	1-81229122-0	CLIP	1		
8	0-35719-0160	1-81260012-0	REGULATOR ASSY	1		INCLUDING 7-3
9	0-35931-0020	1-81229516-0	CLIP	1		

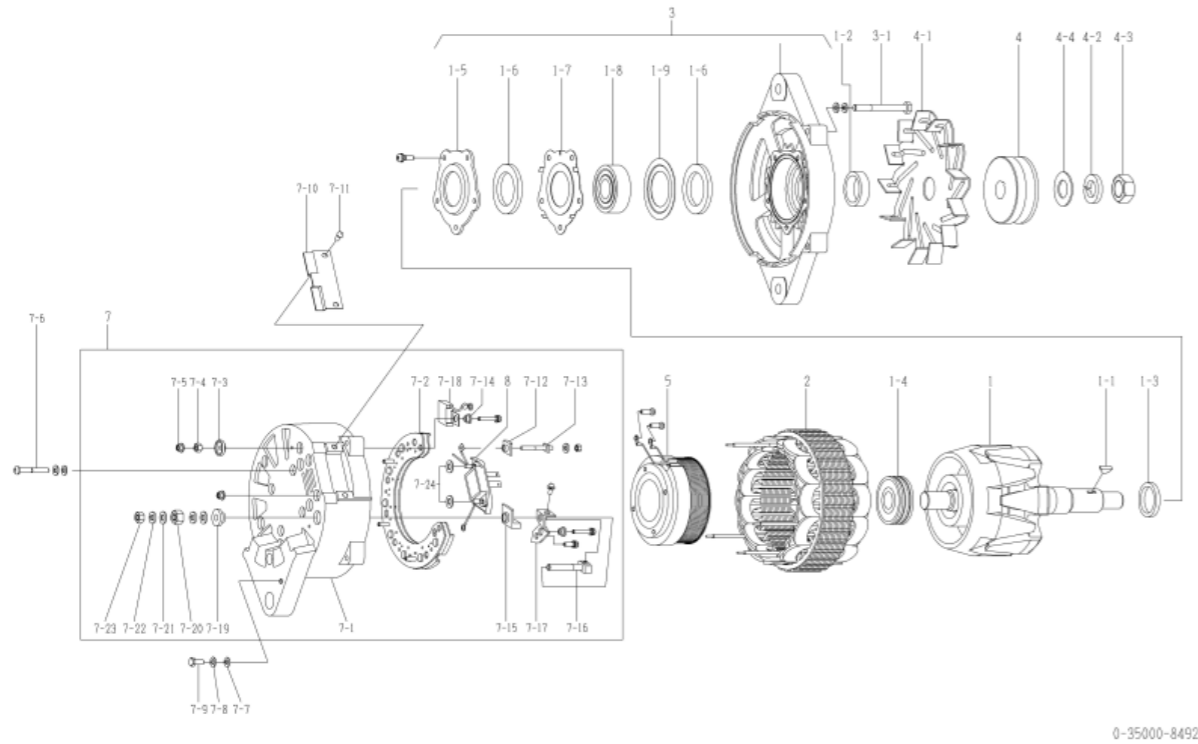


0-35000-8492 ALTERNATOR

OEM CUSTOMER	KOMATSU	OEM PARTS NUMBER	600-825-9331
NOMINAL OUT PUT	24V 90A	SUPPLY TERM	15.03~
WEIGHT	19kg	REGULATOR	BUILT-IN
ENGINE MODEL	SAA6D170E-2D, OTHERS		
VEHICLE	PC1100-6, OTHERS		
DESIGN RECORD	8490 →8491	BALL BEARING (FRONT) CHANGED	
	8491 →8492	BALL BEARING (FRONT) CHANGED	
NOTE	19 TYPE V BELT SINGLE PEAK (QUENCHED) CLOCKWISE ROTATION PULLEY IS DIFFERENT FROM 0-35000-8362, 8402, 8432, 8572, 8612, 8642.		

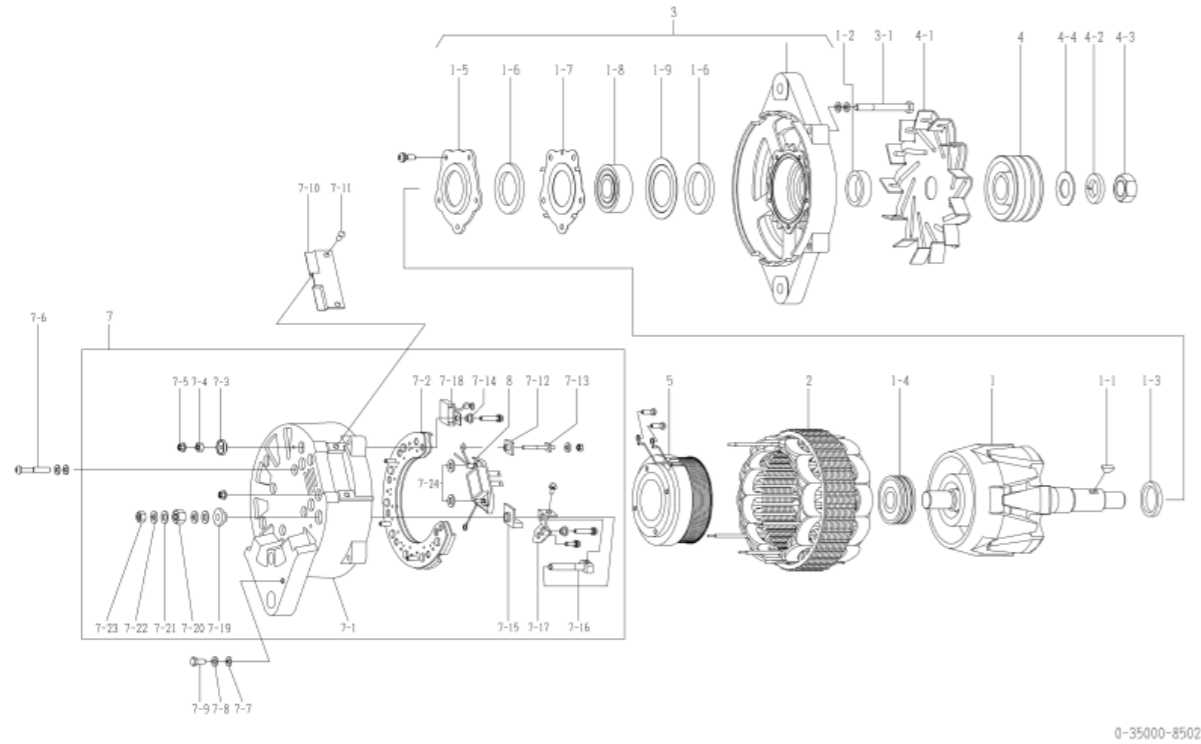
0-35000-8492 ALTERNATOR (MAKER PART NO 600-825-9331)

No	Parts Number	Maker Parts No	Description	Qty	List Price	Note
1	0-35100-0311		ROTOR ASSY	1		
1-1	1-0416-04160		WOODRUFF KEY	1		
1-2	1-33923-0890		COLLAR	1		
1-3	1-35923-0030		COLLAR	1		
1-4	0-09201-0770		BALL BEARING	1		REAR
1-5	0-35926-0080		RETAINER	1		
1-6	0-35951-0080		PACKING	2		
1-7	1-33926-0660		RETAINER	1		
1-8	0-09201-1570		BALL BEARING	1		FRONT
1-9	1-33926-0790		RETAINER	1		
2	0-35200-0320		STATOR ASSY	1		
3	0-35300-0202		F.BRACKET ASSY	1		INCLUDING 1-5~1-9
3-1	0-0083-08802		BOLT	4		THROUGH BOLT
4	0-35411-0851		PULLEY	1		
4-1	0-35421-0190		FAN	1		
4-2	1-0335-20002		SPRING WASHER	1		
4-3	0-0290-20022		NUT	1		
4-4	1-35921-0010		WASHER	1		
5	0-35120-0250		FIELD COIL CO	1		
7	0-35700-0761		R.BRACKET ASSY	1		INC. 7-1~7-5, 7-12~7-24, 8
7-1	0-35710-0890		REAR BRACKET CO	1		
7-2	0-35730-0162		RECTIFIER ASSY	1		
7-3	0-35943-0211		INSULATE BUSH	1		
7-4	0-33902-0090		NUT	1		
7-5	0-33902-0080		NUT	6		
7-6	1-0020-06452		SCREW	4		
7-7	1-0330-06012		PLAIN WASHER	5		
7-8	1-0335-06002		SPRING WASHER	5		
7-9	0-0080-06142		BOLT	1		
7-10	0-35761-0190		COVER	1		
7-11	0-0055-05122		SCREW	2		
7-12	1-33943-0870		INSULATE BUSH	1		
7-13	0-33901-0630		BOLT	1		
7-14	1-33943-0450		INSULATE BUSH	2		
7-15	0-09103-0451		INSULATE BUSH	1		
7-16	0-09001-5280		BOLT	1		
7-17	0-35784-0220		CONNECT BAR	1		
7-18	0-09170-1860		CONDENSER	1		
7-19	0-35943-0100		INSULATE BUSH	1		
7-20	0-33902-0100		NUT	1		
7-21	1-0331-08020		PLAIN WASHER	2		
7-22	1-0335-08002		SPRING WASHER	2		
7-23	0-0291-08010		NUT	1		
7-24	0-35923-0120		COLLAR	2		
8	0-35719-0181		REGULATOR ASSY	1		



0-35000-8502 ALTERNATOR

OEM CUSTOMER	KOMATSU	OEM PARTS NUMBER	600-825-9311
NOMINAL OUT PUT	24V 90A	SUPPLY TERM	15.03~
WEIGHT	19kg	REGULATOR	BUILT-IN
ENGINE MODEL	SA6D140-2A, SA6D140-2B, OTHERS		
VEHICLE	PC1600SP-1F, PC1600SP-1R, OTHERS		
DESIGN RECORD	8500 →8501	BALL BEARING (FRONT) CHANGED	
	8501 →8502	BALL BEARING (FRONT) CHANGED	
NOTE	10 TYPE V BELT DOUBLE PEAKS (QUENCHED) COUNTERCLOCKWISE ROTATION PULLEY IS DIFFERENT FROM 0-35000-8352.		



0-35000-8502 ALTERNATOR (MAKER PART NO 600-825-9311)

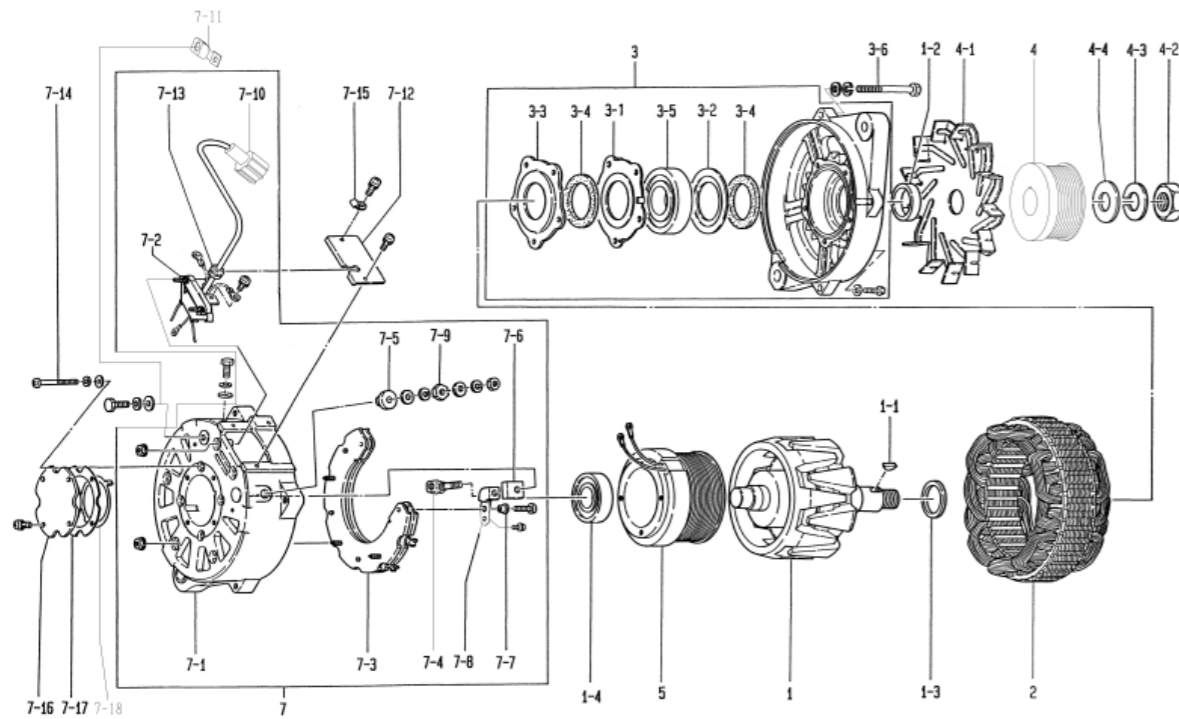
No	Parts Number	Maker Parts No	Description	Qty	List Price	Note
1	0-35100-0231		ROTOR ASSY	1		
1-1	1-0416-04160		WOODRUFF KEY	1		
1-2	1-33923-0890		COLLAR	1		
1-3	1-33923-0030		COLLAR	1		
1-4	0-09201-0770		BALL BEARING	1		REAR
1-5	0-35926-0080		RETAINER	1		
1-6	0-35951-0080		PACKING	2		
1-7	1-33926-0660		RETAINER	1		
1-8	0-09201-1570		BALL BEARING	1		FRONT
1-9	1-33926-0790		RETAINER	1		
2	0-35200-0320		STATOR ASSY	1		
3	0-35300-0202		F.BRACKET ASSY	1		INCLUDING 1-5~1-9
3-1	0-0083-08802		BOLT	4		THROUGH BOLT
4	0-35411-0880		PULLEY	1		
4-1	0-35421-0180		FAN	1		
4-2	1-0335-22002		SPRING WASHER	1		
4-3	0-0280-22022		NUT	1		
4-4	1-0330-22012		WASHER	1		
5	0-35120-0250		FIELD COIL CO	1		
7	0-35700-0761		R.BRACKET ASSY	1		INC. 7-1~7-5, 7-12~7-24, 8
7-1	0-35710-0890		REAR BRACKET CO	1		
7-2	0-35730-0162		RECTIFIER ASSY	1		
7-3	0-35943-0211		INSULATE BUSH	1		
7-4	0-33902-0090		NUT	1		
7-5	0-33902-0080		NUT	6		
7-6	1-0020-06452		SCREW	4		
7-7	1-0330-06012		PLAIN WASHER	5		
7-8	1-0335-06002		SPRING WASHER	5		
7-9	0-0080-06142		BOLT	1		
7-10	0-35761-0190		COVER	1		
7-11	0-0055-05122		SCREW	2		
7-12	1-33943-0870		INSULATE BUSH	1		
7-13	0-33901-0630		BOLT	1		
7-14	1-33943-0450		INSULATE BUSH	2		
7-15	0-09103-0451		INSULATE BUSH	1		
7-16	0-09001-5280		BOLT	1		
7-17	0-35784-0220		CONNECT BAR	1		
7-18	0-09170-1860		CONDENSER	1		
7-19	0-35943-0100		INSULATE BUSH	1		
7-20	0-33902-0100		NUT	1		
7-21	1-0331-08020		PLAIN WASHER	2		
7-22	1-0335-08002		SPRING WASHER	2		
7-23	0-0291-08010		NUT	1		
7-24	0-35923-0120		COLLAR	2		
8	0-35719-0181		REGULATOR ASSY	1		

0-35000-8552 ALTERNATOR

OEM CUSTOMER	KOMATSU	OEM PARTS NUMBER	42C-01-12102
NOMINAL OUT PUT	24V 140A	SUPPLY TERM	10.05~
WEIGHT	22.5kg	REGULATOR	0-44000-1410 (OPTIONAL)
ENGINE MODEL	QSK60, OTHERS		
VEHICLE	WA1200, OTHERS		
DESIGN RECORD	8550 → 8551	COLLAR (R. BRACKET PART) CHANGED	
	8551 → 8552	BALL BEARING (FRONT) CHANGED	
NOTE	K TYPE V BELT 10 PEAKS (QUENCHED) CLOCKWISE ROTATION		

0-35000-8552 ALTERNATOR (MAKER PART NO 42C-01-12102)

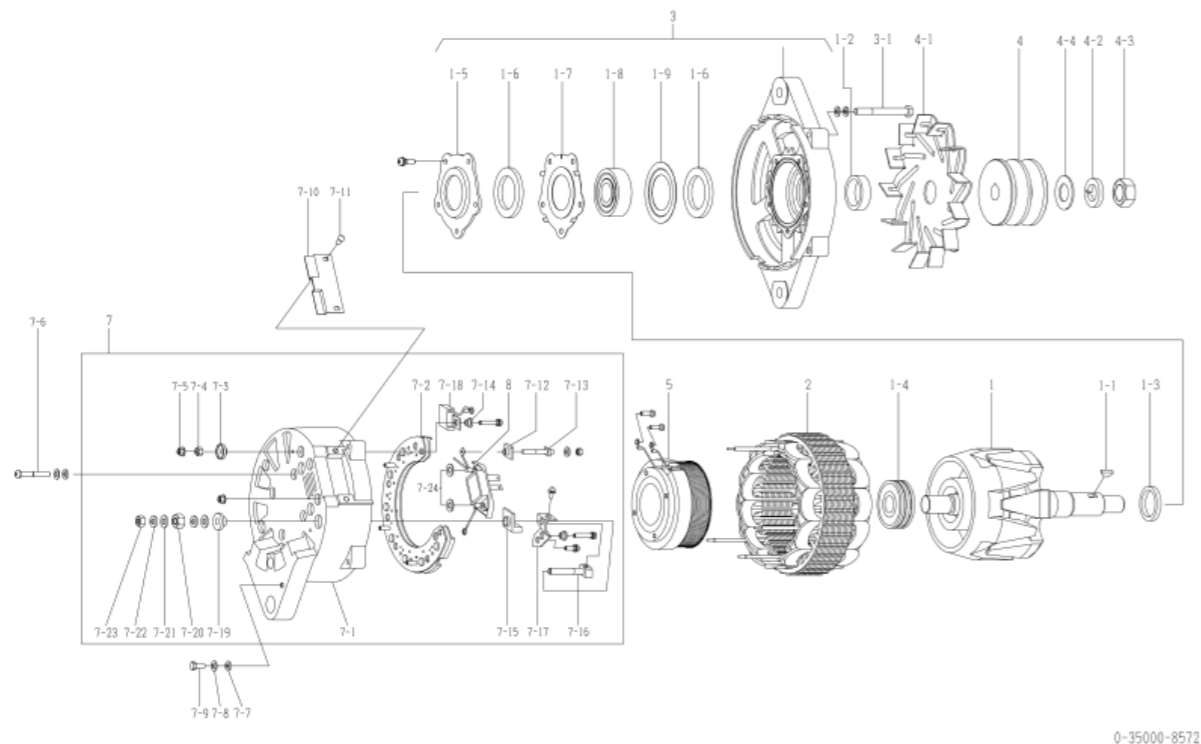
No	Parts Number	Maker Parts No	Description	Qty	List Price	Note
1	0-35100-0270		ROTOR ASSY	1		
1-1	1-0416-04160		WOODRUFF ASSY	1		
1-2	1-33923-0890		COLLAR	1		
1-3	0-35923-0030		COLLAR	1		
1-4	0-09201-0860		BALL BEARING	1		REAR
2	0-35200-0280		STATOR ASSY	1		
3	0-35300-0480		F.BRACKET ASSY	1		INCLUDING 3-1~3-5
3-1	0-35926-0100		RETAINER	4		
3-2	1-33926-0790		RETAINER	1		
3-3	0-35926-0110		RETAINER	1		
3-4	0-35951-0080		PACKING	2		
3-5	0-09201-1400		BALL BEARING	1		FRONT
3-6	0-0093-08102		BOLT	4		THROUGH BOLT
4	0-35411-0970		PULLEY	1		
4-1	1-33421-0501		FAN	1		
4-2	0-0280-22022		NUT	1		
4-3	1-0335-22002		SPRING WASHER	1		
4-4	1-0330-22012		PLAIN WASHER	1		
5	0-35120-0120		FIELD COIL CO	1		
7	0-35700-1000		R.BRACKET ASSY	1		INCLUDING 7-1~7-10, 7-13
7-1	0-35710-1230		REAR BRACKET CO	1		
7-2	0-35780-0860		TERMINAL ASSY	1		INCLUDING 7-10, 7-13
7-3	0-35730-0162		RECTIFIER ASSY	1		
7-4	0-35901-0150		BOLT	1		
7-5	0-35943-0100		INSULATE BUSH	1		
7-6	1-33943-0950		INSULATE BUSH	1		
7-7	1-33943-0450		INSULATE BUSH	2		
7-8	0-35784-0180		CONNECT BAR	1		
7-9	0-33902-0100		NUT	1		
7-10	0-35780-0870		TERMINAL ASSY	1		NOT INCLUDING 7-13
7-11	0-35927-0070		HOLDER	1		
7-12	0-35761-0140		COVER	1		
7-13	1-33953-0180		GUM BUSH	1		
7-14	1-0020-06552		SCREW	4		
7-15	1-37932-0120		CLUMP	1		
7-16	0-35301-0010		BEARING COVER	1		
7-17	0-35951-0090		PACKING	1		
7-18	1-33931-0090		CLIP	1		



0-35000-8552

0-35000-8572 ALTERNATOR

OEM CUSTOMER	KOMATSU	OEM PARTS NUMBER	600-825-9821
NOMINAL OUT PUT	24V 90A	SUPPLY TERM	15.03~
WEIGHT	19kg	REGULATOR	BUILT-IN
ENGINE MODEL	SA6D170E-3A, OTHERS		
VEHICLE	D375A-5, OTHERS		
DESIGN RECORD	8570 →8571	BALL BEARING (FRONT) CHANGED	
	8571 →8572	BALL BEARING (FRONT) CHANGED	
NOTE	#17 TYPE V BELT DOUBLE PEAKS (QUENCHED) CLOCKWISE ROTATION PULLEY IS DIFFERENT FROM 0-35000-8362, 8402, 8432, 8612, 8642.		



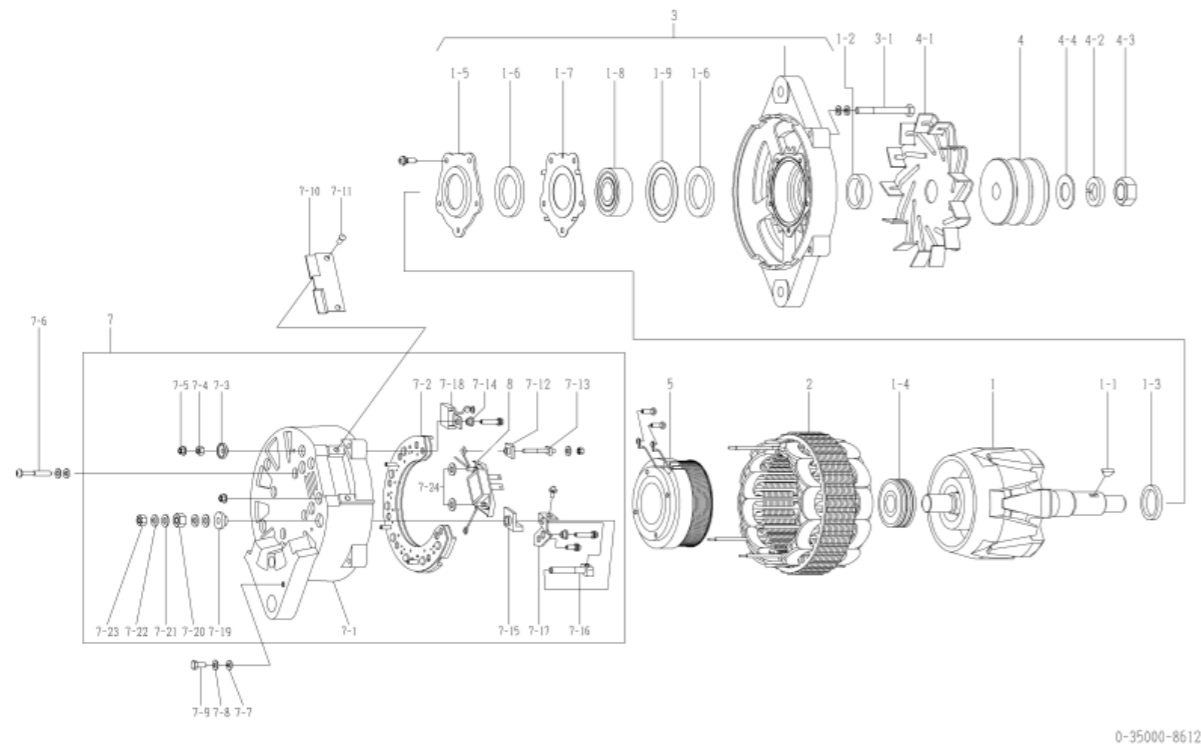
0-35000-8572

0-35000-8572 ALTERNATOR (MAKER PART NO 600-825-9821)

No	Parts Number	Maker Parts No	Description	Qty	List Price	Note
1	0-35100-0311		ROTOR ASSY	1		
1-1	1-0416-04160		WOODRUFF KEY	1		
1-2	1-33923-0890		COLLAR	1		
1-3	1-35923-0030		COLLAR	1		
1-4	0-09201-0770		BALL BEARING	1		REAR
1-5	0-35926-0080		RETAINER	1		
1-6	0-35951-0080		PACKING	2		
1-7	1-33926-0660		RETAINER	1		
1-8	0-09201-1570		BALL BEARING	1		FRONT
1-9	1-33926-0790		RETAINER	1		
2	0-35200-0320		STATOR ASSY	1		
3	0-35300-0202		F.BRACKET ASSY	1		INCLUDING 1-5~1-9
3-1	0-0083-08802		BOLT	4		THROUGH BOLT
4	0-35411-1020		PULLEY	1		
4-1	0-35421-0190		FAN	1		
4-2	1-0335-20002		SPRING WASHER	1		
4-3	0-0290-20022		NUT	1		
4-4	1-35921-0010		WASHER	1		
5	0-35120-0250		FIELD COIL CO	1		
7	0-35700-0761		R.BRACKET ASSY	1		INC. 7-1~7-5, 7-12~7-24, 8
7-1	0-35710-0890		REAR BRACKET CO	1		
7-2	0-35730-0162		RECTIFIER ASSY	1		
7-3	0-35943-0211		INSULATE BUSH	1		
7-4	0-33902-0090		NUT	1		
7-5	0-33902-0080		NUT	6		
7-6	1-0020-06452		SCREW	4		
7-7	1-0330-06012		PLAIN WASHER	5		
7-8	1-0335-06002		SPRING WASHER	5		
7-9	0-0080-06142		BOLT	1		
7-10	0-35761-0190		COVER	1		
7-11	0-0055-05122		SCREW	2		
7-12	1-33943-0870		INSULATE BUSH	1		
7-13	0-33901-0630		BOLT	1		
7-14	1-33943-0450		INSULATE BUSH	2		
7-15	0-09103-0451		INSULATE BUSH	1		
7-16	0-09001-5280		BOLT	1		
7-17	0-35784-0220		CONNECT BAR	1		
7-18	0-09170-1860		CONDENSER	1		
7-19	0-35943-0100		INSULATE BUSH	1		
7-20	0-33902-0100		NUT	1		
7-21	1-0331-08020		PLAIN WASHER	2		
7-22	1-0335-08002		SPRING WASHER	2		
7-23	0-0291-08010		NUT	1		
7-24	0-35923-0120		COLLAR	2		
8	0-35719-0181		REGULATOR ASSY	1		

0-35000-8612 ALTERNATOR

OEM CUSTOMER	KOMATSU	OEM PARTS NUMBER	600-825-9731
NOMINAL OUT PUT	24V 90A	SUPPLY TERM	15.03~
WEIGHT	19kg	REGULATOR	BUILT-IN
ENGINE MODEL	SA6D108		
VEHICLE	SNOW COMPACTOR VEHICLE		
DESIGN RECORD	8610 →8611	BALL BEARING (FRONT) CHANGED	
	8611 →8612	BALL BEARING (FRONT) CHANGED	
NOTE	22 TYPE V BELT DOUBLE PEAKS CLOCKWISE ROTATION PULLEY IS DIFFERENT FROM 0-35000-8362, 8402, 8432, 8492, 8572, 8642.		



0-35000-8612

0-35000-8612 ALTERNATOR (MAKER PART NO 600-825-9731)

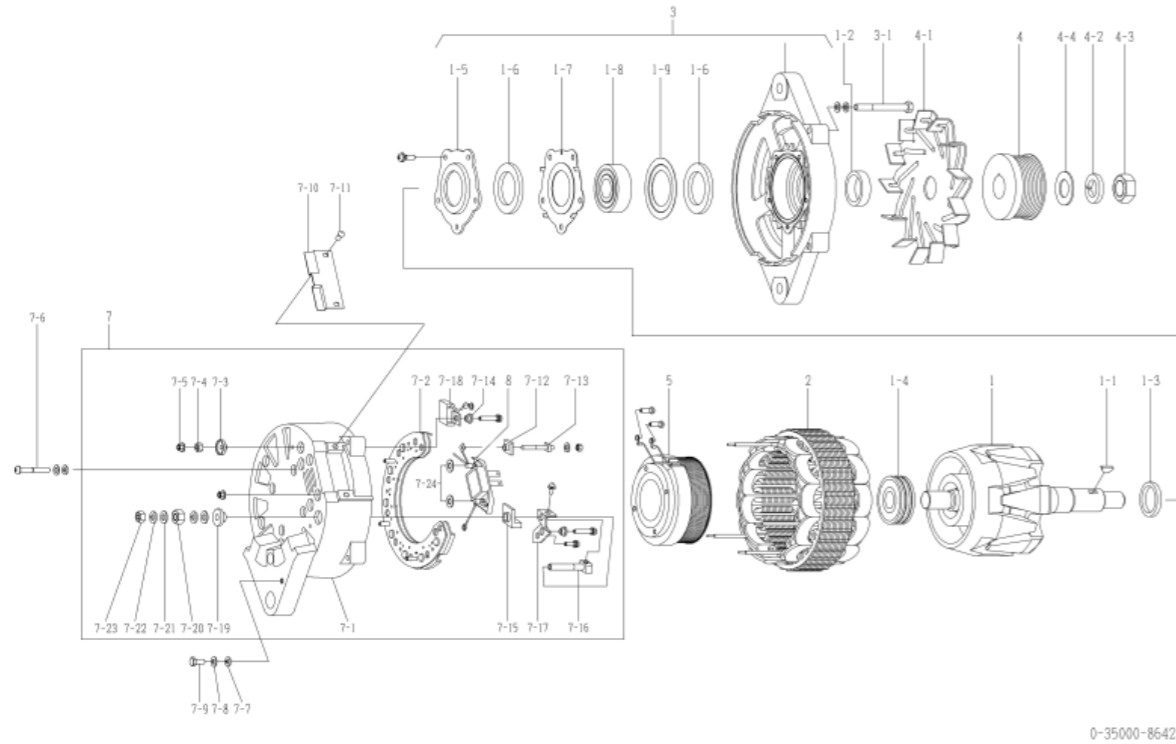
No	Parts Number	Maker Parts No	Description	Qty	List Price	Note
1	0-35100-0311		ROTOR ASSY	1		
1-1	1-0416-04160		WOODRUFF KEY	1		
1-2	1-33923-0890		COLLAR	1		
1-3	1-35923-0030		COLLAR	1		
1-4	0-09201-0770		BALL BEARING	1		REAR
1-5	0-35926-0080		RETAINER	1		
1-6	0-35951-0080		PACKING	2		
1-7	1-33926-0660		RETAINER	1		
1-8	0-09201-1570		BALL BEARING	1		FRONT
1-9	1-33926-0790		RETAINER	1		
2	0-35200-0320		STATOR ASSY	1		
3	0-35300-0202		F.BRACKET ASSY	1		INCLUDING 1-5~1-9
3-1	0-0083-08802		BOLT	4		THROUGH BOLT
4	0-35411-1050		PULLEY	1		
4-1	0-35421-0190		FAN	1		
4-2	1-0335-20002		SPRING WASHER	1		
4-3	0-0290-20022		NUT	1		
4-4	1-35921-0010		WASHER	1		
5	0-35120-0250		FIELD COIL CO	1		
7	0-35700-0761		R.BRACKET ASSY	1		INC. 7-1~7-5, 7-12~7-24, 8
7-1	0-35710-0890		REAR BRACKET CO	1		
7-2	0-35730-0162		RECTIFIER ASSY	1		
7-3	0-35943-0211		INSULATE BUSH	1		
7-4	0-33902-0090		NUT	1		
7-5	0-33902-0080		NUT	6		
7-6	1-0020-06452		SCREW	4		
7-7	1-0330-06012		PLAIN WASHER	5		
7-8	1-0335-06002		SPRING WASHER	5		
7-9	0-0080-06142		BOLT	1		
7-10	0-35761-0190		COVER	1		
7-11	0-0055-05122		SCREW	2		
7-12	1-33943-0870		INSULATE BUSH	1		
7-13	0-33901-0630		BOLT	1		
7-14	1-33943-0450		INSULATE BUSH	2		
7-15	0-09103-0451		INSULATE BUSH	1		
7-16	0-09001-5280		BOLT	1		
7-17	0-35784-0220		CONNECT BAR	1		
7-18	0-09170-1860		CONDENSER	1		
7-19	0-35943-0100		INSULATE BUSH	1		
7-20	0-33902-0100		NUT	1		
7-21	1-0331-08020		PLAIN WASHER	2		
7-22	1-0335-08002		SPRING WASHER	2		
7-23	0-0291-08010		NUT	1		
7-24	0-35923-0120		COLLAR	2		
8	0-35719-0181		REGULATOR ASSY	1		

0-35000-8642 ALTERNATOR

OEM CUSTOMER	KOMATSU	OEM PARTS NUMBER	600-861-9121
NOMINAL OUT PUT	24V 90A	SUPPLY TERM	15.03~
WEIGHT	19kg	REGULATOR	BUILT-IN
ENGINE MODEL	SA6D114, OTHERS		
VEHICLE	WA380-5, OTHERS		
DESIGN RECORD	8640 → 8641	BALL BEARING (FRONT) CHANGED	
	8641 → 8642	BALL BEARING (FRONT) CHANGED	
NOTE	K TYPE V BELT 8 PEAKS CLOCKWISE ROTATION PULLEY IS DIFFERENT FROM 0-35000-8362, 8402, 8432, 8492, 8572, 8612.		

0-35000-8642 ALTERNATOR (MAKER PART NO 600-861-9121)

No	Parts Number	Maker Parts No	Description	Qty	List Price	Note
1	1-35100-0311		ROTOR ASSY	1		
1-1	1-0416-04160		WOODRUFF KEY	1		
1-2	1-33923-0890		COLLAR	1		
1-3	1-33923-0030		COLLAR	1		
1-4	0-09201-0770		BALL BEARING	1		REAR
1-5	0-35926-0080		RETAINER	1		
1-6	0-35951-0080		PACKING	2		
1-7	1-33926-0660		RETAINER	1		
1-8	0-09201-1570		BALL BEARING	1		FRONT
1-9	1-33926-0790		RETAINER	1		
2	0-35200-0320		STATOR ASSY	1		
3	0-35300-0202		F.BRACKET ASSY	1		INCLUDING 1-5~1-9
3-1	0-0083-08802		BOLT	4		THROUGH BOLT
4	0-35411-0651		PULLEY	1		
4-1	0-35421-0190		FAN	1		
4-2	1-0335-20002		SPRING WASHER	1		
4-3	0-0290-20022		NUT	1		
4-4	1-35921-0010		WASHER	1		
5	0-35120-0250		FIELD COIL CO	1		
7	0-35700-0761		R.BRACKET ASSY	1		INC. 7-1~7-5,7-12~7-24, 8
7-1	0-35710-0890		REAR BRACKET CO	1		
7-2	0-35730-0162		RECTIFIER ASSY	1		
7-3	0-35943-0211		INSULATE BUSH	1		
7-4	0-33902-0090		NUT	1		
7-5	0-33902-0080		NUT	6		
7-6	1-0020-06452		SCREW	4		
7-7	1-0330-06012		PLAIN WASHER	5		
7-8	1-0335-06002		SPRING WASHER	5		
7-9	0-0080-06142		BOLT	1		
7-10	0-35761-0190		COVER	1		
7-11	0-0055-05122		SCREW	2		
7-12	1-33943-0870		INSULATE BUSH	1		
7-13	0-33901-0630		BOLT	1		
7-14	1-33943-0450		INSULATE BUSH	2		
7-15	0-09103-0451		INSULATE BUSH	1		
7-16	0-09001-5280		BOLT	1		
7-17	0-35784-0220		CONNECT BAR	1		
7-18	0-09170-1860		CONDENSER	1		
7-19	0-35943-0100		INSULATE BUSH	1		
7-20	0-33902-0100		NUT	1		
7-21	1-0331-08020		PLAIN WASHER	2		
7-22	1-0335-08002		SPRING WASHER	2		
7-23	0-0291-08010		NUT	1		
7-24	0-35923-0120		COLLAR	2		
8	0-35719-0181		REGULATOR ASSY	1		

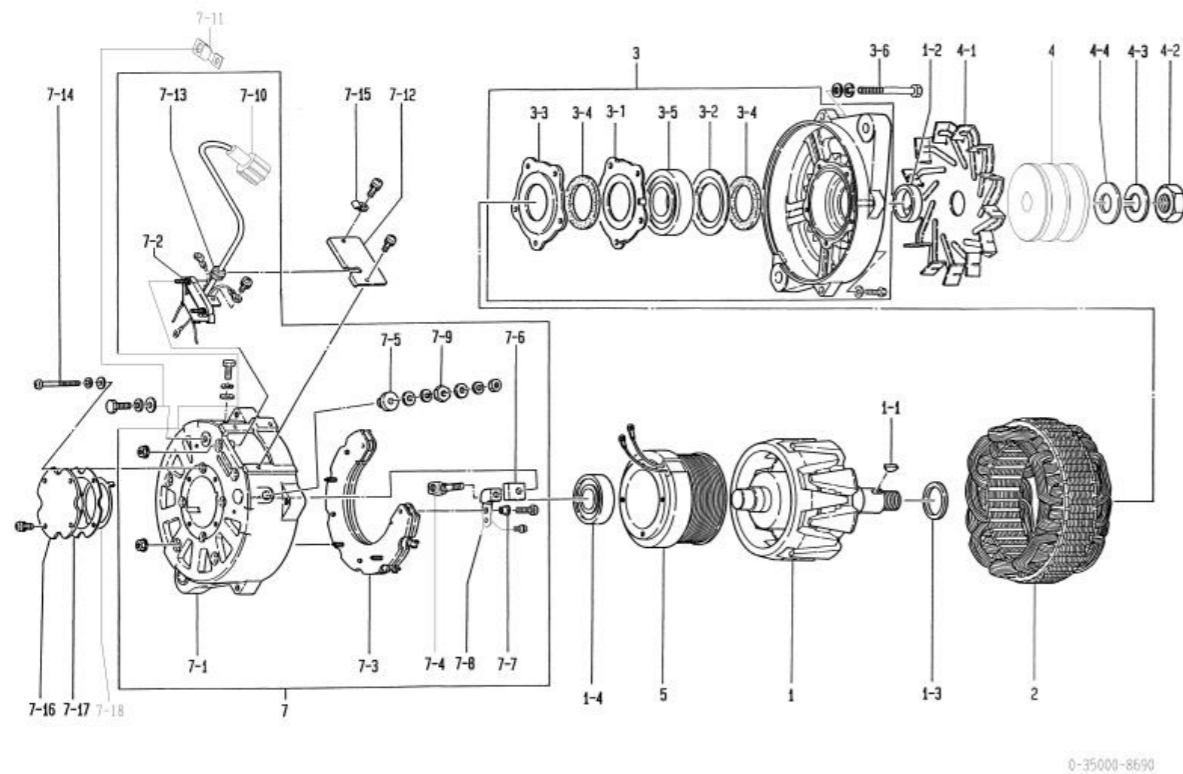


0-35000-8690 ALTERNATOR

OEM CUSTOMER	KOMATSU	OEM PARTS NUMBER	600-821-9880
NOMINAL OUT PUT	24V 140A	SUPPLY TERM	03.07~
WEIGHT	22.5kg	REGULATOR	0-44000-1410 (OPTIONAL)
ENGINE MODEL	SAA6D125E-5		
VEHICLE	GD755-5		
DESIGN RECORD			
NOTE	V22 BELT DOUBLE PEAKS CLOCKWISE ROTATION PULLEY AND ROTOR ARE DIFFERENT FROM 0-35000-8590.		

0-35000-8690 ALTERNATOR (MAKER PART NO 600-821-9880)

No	Parts Number	Maker Parts No	Description	Qty	List Price	Note
1	0-35100-0390		ROTOR ASSY	1		
1-1	1-0416-04160		WOODRUFF ASSY	1		
1-2	1-33923-0890		COLLAR	1		
1-3	0-35923-0030		COLLAR	1		
1-4	0-09201-0860		BALL BEARING	1		REAR
2	0-35200-0280		STATOR ASSY	1		
3	0-35300-0390		F.BRACKET ASSY	1		INCLUDING 3-1~3-5
3-1	0-35926-0100		RETAINER	4		
3-2	1-33926-0790		RETAINER	1		
3-3	0-35926-0110		RETAINER	1		
3-4	0-35951-0080		PACKING	2		
3-5	0-09201-0760		BALL BEARING	1		FRONT
3-6	0-0093-08102		BOLT	4		THROUGH BOLT
4	0-35411-0670		PULLEY	1		
4-1	1-33421-0501		FAN	1		
4-2	0-0280-22022		NUT	1		
4-3	1-0335-22002		SPRING WASHER	1		
4-4	1-35921-0010		WASHER	1		
5	0-35120-0120		FIELD COIL CO	1		
7	0-35700-0940		R.BRACKET ASSY	1		INCLUDING 7-1~7-10, 7-13
7-1	0-35710-0730		REAR BRACKET CO	1		
7-2	0-35780-0860		TERMINAL ASSY	1		INCLUDING 7-10, 7-13
7-3	0-35730-0162		RECTIFIER ASSY	1		
7-4	0-35901-0150		BOLT	1		
7-5	0-35943-0100		INSULATE BUSH	1		
7-6	1-33943-0950		INSULATE BUSH	1		
7-7	1-33943-0450		INSULATE BUSH	2		
7-8	0-35784-0180		CONNECT BAR	1		
7-9	0-33902-0100		NUT	1		
7-10	0-35780-0870		TERMINAL ASSY	1		NOT INCLUDING 7-13
7-11	0-35927-0070		HOLDER	1		
7-12	0-35761-0140		COVER	1		
7-13	1-33953-0180		GUM BUSH	1		
7-14	1-0020-06552		SCREW	4		
7-15	1-37932-0120		CLUMP	1		
7-16	0-35301-0010		BEARING COVER	1		
7-17	0-35951-0090		PACKING	1		
7-18	1-33931-0090		CLIP	1		

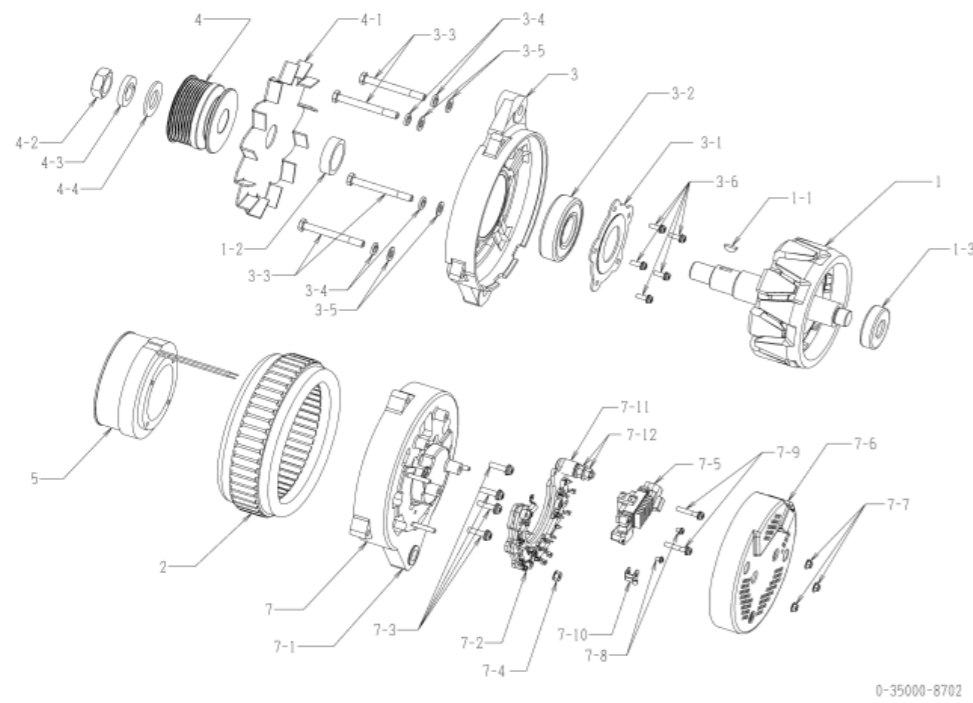


0-35000-8702 ALTERNATOR

OEM CUSTOMER	ISUZU	OEM PARTS NUMBER	8-98013459-3
NOMINAL OUT PUT	24V 90A	SUPPLY TERM	13.10~
WEIGHT	18kg	REGULATOR	BUILT-IN
ENGINE MODEL	4HK1-TC		
VEHICLE	FRR90		
DESIGN RECORD	8700 → 8701	FIELD COIL CHANGED	
	8701 → 8702	PULLEY CHANGED	
NOTE	13 TYPE V BELT SINGLE PEAK, PK TYPE V BELT 7 PEAKS CLOCKWISE ROTATION PULLEY IS DIFFERENT FROM 0-35000-8712.		

0-35000-8702 ALTERNATOR (MAKER PART NO 8-98013459-3)

No	Parts Number	Maker Parts No	Description	Qty	List Price	Note
1	0-35100-0421	8-98048000-1	ROTOR ASSY	1		
1-1	1-0416-04160	9-82215867-0	WOODRUFF KEY	1		
1-2	1-33923-0890	1-81229626-0	COLLAR	1		
1-3	0-09201-1340	8-98048001-0	BALL BEARING	1		REAR
2	0-35200-0510	8-98048002-0	STATOR ASSY	1		
3	0-35300-0440	8-98048003-0	FRONT BRACKET ASSY	1		INCLUDING 3-1, 3-2, 3-6
3-1	0-35926-0180	8-98048004-0	RETAINER	1		
3-2	0-09201-0760	1-81229631-0	BALL BEARING	1		FRONT
3-3	0-0083-08802	1-81229661-0	BOLT	4		THROUGH BOLT
3-4	1-0335-08002	9-88120280-0	SPRING WASHER	4		
3-5	1-0330-08022	9-82115220-0	PLAIN WASHER	4		
3-6	1-0055-06162	1-81229469-0	SCREW	5		
4	0-35411-1191	8-98048006-0	PULLEY	1		
4-1	1-33421-0501	1-81223003-1	FAN	1		
4-2	0-0280-22022	9-82216098-0	NUT	1		
4-3	1-0335-22002	1-81229672-0	SPRING WASHER	1		
4-4	1-0330-22012	1-81229673-0	PLAIN WASHER	1		
5	0-35120-0511	8-98048008-1	FIELD COIL CO	1		
7	0-35700-1080	8-98048009-0	R.BRACKET ASSY	1		INC. 5, 7-1~7-5, 7-8~7-10
7-1	0-35710-1300	8-98048010-0	REAR BRACKET CO	1		
7-2	0-35730-0790	8-98048011-0	RECTIFIER ASSY	1		NOT INCLUDE 7-11, 7-12
7-3	1-0056-06252	8-98048058-0	SCREW	4		
7-4	0-33902-0090	8-98040687-0	NUT	1		
7-5	0-35719-0260	8-98040688-0	REGULATOR ASSY	1		
7-6	0-35760-0040	8-98048012-0	COVER CO	1		
7-7	0-33902-0080	8-98040690-0	NUT	3		
7-8	0-0055-04082		SCREW	2		
7-9	0-0056-05252	1-81229476-0	SCREW	2		
7-10	0-35786-0390		TERMINAL PLATE	1		
7-11	0-35923-0320		COLLAR	1		
7-12	0-09006-0360		NUT	2		

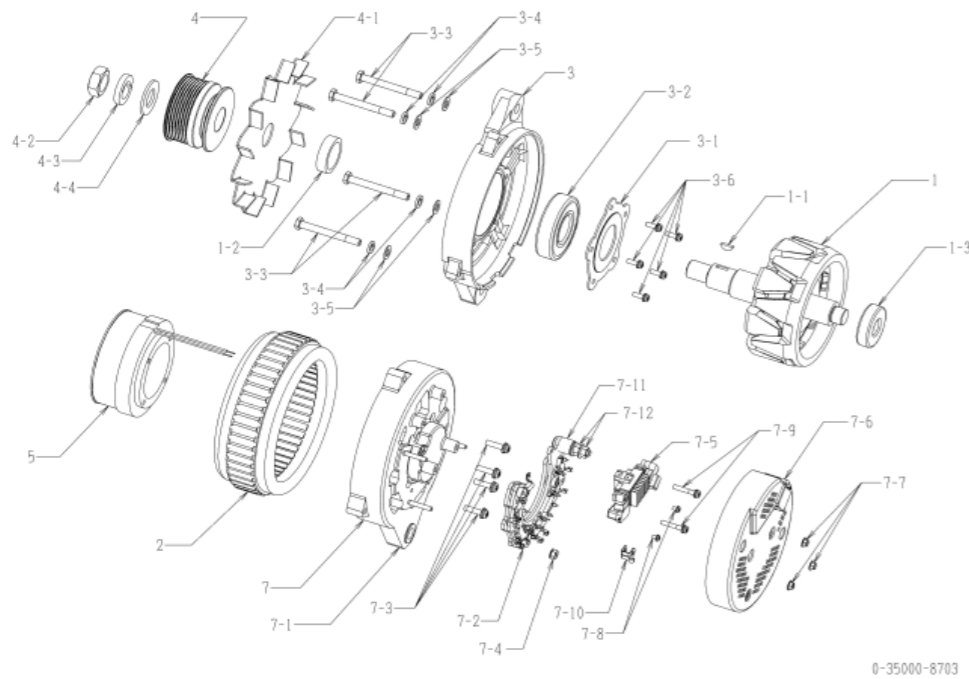


0-35000-8703 ALTERNATOR

OEM CUSTOMER	ISUZU	OEM PARTS NUMBER	8-98330085-0
NOMINAL OUT PUT	24V 90A	SUPPLY TERM	15.03~
WEIGHT	18kg	REGULATOR	BUILT-IN
ENGINE MODEL	4HK1-TC		
VEHICLE	FRR90		
DESIGN RECORD	8700 → 8701	FIELD COIL CHANGED	
	8701 → 8702	PULLEY CHANGED	
	8702 → 8703	COVER CHANGED	
NOTE	13 TYPE V BELT SINGLE PEAK, PK TYPE V BELT 7 PEAKS CLOCKWISE ROTATION PULLEY IS DIFFERENT FROM 0-35000-8713.		

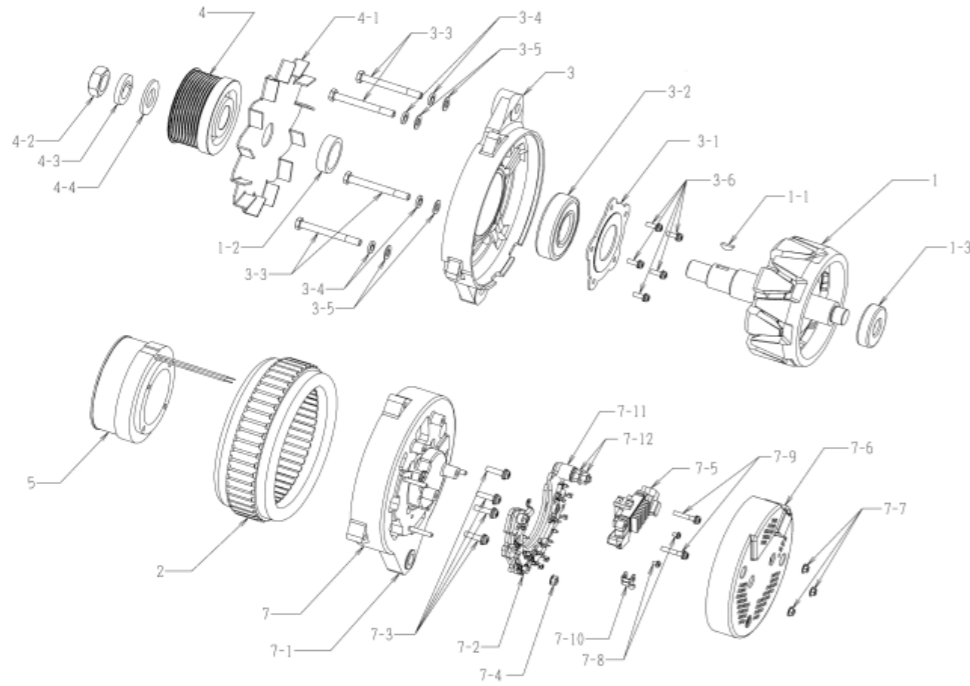
0-35000-8703 ALTERNATOR (MAKER PART NO 8-98330085-0)

No	Parts Number	Maker Parts No	Description	Qty	List Price	Note
1	0-35100-0421	8-98048000-1	ROTOR ASSY	1		
1-1	1-0416-04160	9-82215867-0	WOODRUFF KEY	1		
1-2	1-33923-0890	1-81229626-0	COLLAR	1		
1-3	0-09201-1340	8-98048001-0	BALL BEARING	1		REAR
2	0-35200-0510	8-98048002-0	STATOR ASSY	1		
3	0-35300-0440	8-98048003-0	FRONT BRACKET ASSY	1		INCLUDING 3-1, 3-2, 3-6
3-1	0-35926-0180	8-98048004-0	RETAINER	1		
3-2	0-09201-0760	1-81229631-0	BALL BEARING	1		FRONT
3-3	0-0083-08802	1-81229661-0	BOLT	4		THROUGH BOLT
3-4	1-0335-08002	9-88120280-0	SPRING WASHER	4		
3-5	1-0330-08022	9-82115220-0	PLAIN WASHER	4		
3-6	1-0055-06162	1-81229469-0	SCREW	5		
4	0-35411-1191	8-98048006-0	PULLEY	1		
4-1	1-33421-0501	1-81223003-1	FAN	1		
4-2	0-0280-22022	9-82216098-0	NUT	1		
4-3	1-0335-22002	1-81229672-0	SPRING WASHER	1		
4-4	1-0330-22012	1-81229673-0	PLAIN WASHER	1		
5	0-35120-0511	8-98048008-1	FIELD COIL CO	1		
7	0-35700-1080	8-98048009-0	R.BRACKET ASSY	1		INC. 5, 7-1~7-5, 7-8~7-10
7-1	0-35710-1300	8-98048010-0	REAR BRACKET CO	1		
7-2	0-35730-0790	8-98048011-0	RECTIFIER ASSY	1		NOT INCLUDE 7-11, 7-12
7-3	1-0056-06252	8-98048058-0	SCREW	4		
7-4	0-33902-0090	8-98040687-0	NUT	1		
7-5	0-35719-0260	8-98040688-0	REGULATOR ASSY	1		
7-6	0-35760-0041	8-98330489-0	COVER CO	1		
7-7	0-33902-0080	8-98040690-0	NUT	3		
7-8	0-0055-04082		SCREW	2		
7-9	0-0056-05252	1-81229476-0	SCREW	2		
7-10	0-35786-0390		TERMINAL PLATE	1		
7-11	0-35923-0320		COLLAR	1		
7-12	0-09006-0360		NUT	2		



0-35000-8712 ALTERNATOR

OEM CUSTOMER	ISUZU	OEM PARTS NUMBER	8-98013463-3
NOMINAL OUT PUT	24V 90A	SUPPLY TERM	14.03~
WEIGHT	18.3kg	REGULATOR	BUILT-IN
ENGINE MODEL	6HK1-TC		
VEHICLE	FRR34		
DESIGN RECORD	8710 → 8711	FIELD COIL CHANGED	
	8711 → 8712	PULLEY CHANGED	
NOTE	PK TYPE V BELT 9 PEAKS CLOCKWISE ROTATION PULLEY IS DIFFERENT FROM 0-35000-8702.		



0-35000-8712

0-35000-8712 ALTERNATOR (MAKER PART NO 8-98013463-3)

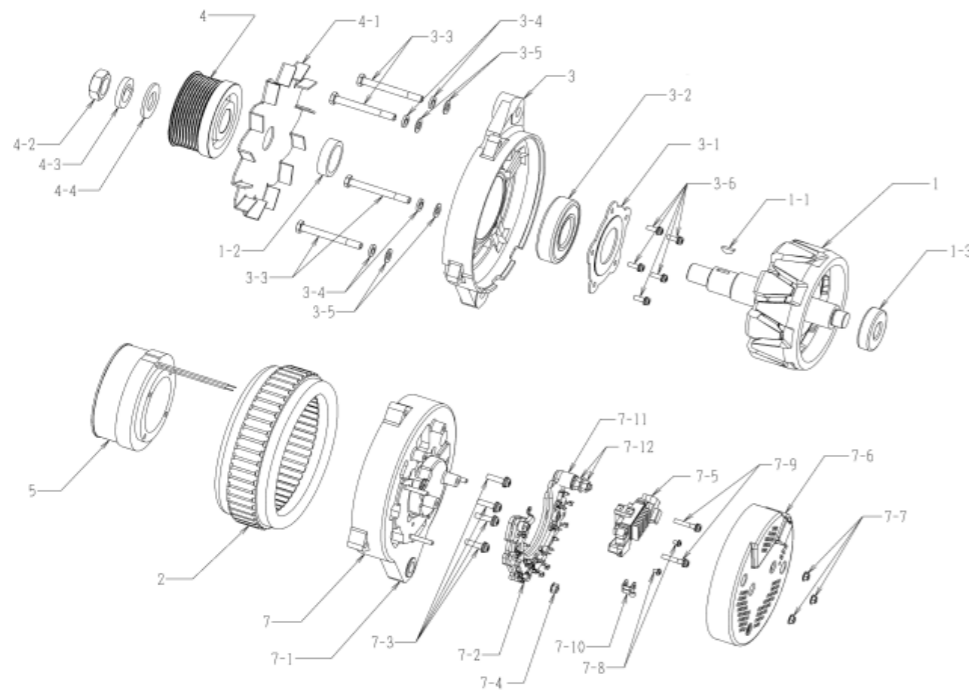
No	Parts Number	Maker Parts No	Description	Qty	List Price	Note
1	0-35100-0421	8-98048000-1	ROTOR ASSY	1		
1-1	1-0416-04160	9-82215867-0	WOODRUFF KEY	1		
1-2	0-33923-0890	1-81229626-0	COLLAR	1		
1-3	0-09201-1340	8-98048001-0	BALL BEARING	1		REAR
2	0-35200-0510	8-98048002-0	STATOR ASSY	1		
3	0-35300-0440	8-98048003-0	FRONT BRACKET ASSY	1		INCLUDING 3-1, 3-2, 3-6
3-1	0-35926-0180	8-98048004-0	RETAINER	1		
3-2	0-09201-0760	1-81229631-0	BALL BEARING	1		FRONT
3-3	0-0083-08802	1-81229661-0	BOLT	4		THROUGH BOLT
3-4	1-0335-08002	9-88120280-0	SPRING WASHER	4		
3-5	1-0330-08022	9-82115220-0	PLAIN WASHER	4		
3-6	1-0055-06162	1-81229469-0	SCREW	5		
4	0-35411-1201	8-98048007-0	PULLEY	1		
4-1	1-33421-0501	1-81223003-1	FAN	1		
4-2	0-0280-22022	9-82216098-0	NUT	1		
4-3	1-0335-22002	1-81229672-0	SPRING WASHER	1		
4-4	1-0330-22012	1-81229673-0	PLAIN WASHER	1		
5	0-35120-0511	8-98048008-1	FIELD COIL CO	1		
7	0-35700-1080	8-98048009-0	R.BRACKET ASSY	1		INC 5, 7-1~7-5, 7-8~7-10
7-1	0-35710-1300	8-98048010-0	REAR BRACKET CO	1		
7-2	0-35730-0790	8-98048011-0	RECTIFIER ASSY	1		NOT INCLUDE 7-11, 7-12
7-3	1-0056-06252	8-98048058-0	SCREW	4		
7-4	0-33902-0090	8-98040687-0	NUT	1		
7-5	0-35719-0260	8-98040688-0	REGULATOR ASSY	1		
7-6	0-35760-0040	8-98048012-0	COVER CO	1		
7-7	0-33902-0080	8-98040690-0	NUT	3		
7-8	0-0055-04082		SCREW	2		
7-9	0-0056-05252	1-81229476-0	SCREW	2		
7-10	0-35786-0390		TERMINAL PLATE	1		
7-11	0-35923-0320		COLLAR	1		
7-12	0-09006-0360		NUT	2		

0-35000-8713 ALTERNATOR

OEM CUSTOMER	ISUZU	OEM PARTS NUMBER	8-98330087-0
NOMINAL OUT PUT	24V 90A	SUPPLY TERM	15.03~
WEIGHT	18.3kg	REGULATOR	BUILT-IN
ENGINE MODEL	6HK1-TC		
VEHICLE	FRR34		
DESIGN RECORD	8710 → 8711 FIELD COIL CHANGED 8711 → 8712 PULLEY CHANGED 8712 → 8713 COVER CHANGED		
NOTE	PK TYPE V BELT 9 PEAKS CLOCKWISE ROTATION PULLEY IS DIFFERENT FROM 0-35000-8703.		

0-35000-8713 ALTERNATOR (MAKER PART NO 8-98330087-0)

No	Parts Number	Maker Parts No	Description	Qty	List Price	Note
1	0-35100-0421	8-98048000-1	ROTOR ASSY	1		
1-1	1-0416-04160	9-82215867-0	WOODRUFF KEY	1		
1-2	1-33923-0890	1-81229626-0	COLLAR	1		
1-3	0-09201-1340	8-98048001-0	BALL BEARING	1		REAR
2	0-35200-0510	8-98048002-0	STATOR ASSY	1		
3	0-35300-0440	8-98048003-0	FRONT BRACKET ASSY	1		INCLUDING 3-1, 3-2, 3-6
3-1	0-35926-0180	8-98048004-0	RETAINER	1		
3-2	0-09201-0760	1-81229631-0	BALL BEARING	1		FRONT
3-3	0-0083-08802	1-81229661-0	BOLT	4		THROUGH BOLT
3-4	1-0335-08002	9-88120280-0	SPRING WASHER	4		
3-5	1-0330-08022	9-82115220-0	PLAIN WASHER	4		
3-6	1-0055-06162	1-81229469-0	SCREW	5		
4	0-35411-1201	8-98048007-0	PULLEY	1		
4-1	1-33421-0501	1-81223003-1	FAN	1		
4-2	0-0280-22022	9-82216098-0	NUT	1		
4-3	1-0335-22002	1-81229672-0	SPRING WASHER	1		
4-4	1-0330-22012	1-81229673-0	PLAIN WASHER	1		
5	0-35120-0511	8-98048008-1	FIELD COIL CO	1		
7	0-35700-1080	8-98048009-0	R.BRACKET ASSY	1		INC. 5, 7-1~7-5, 7-8~7-10
7-1	0-35710-1300	8-98048010-0	REAR BRACKET CO	1		
7-2	0-35730-0790	8-98048011-0	RECTIFIER ASSY	1		NOT INCLUDE 7-11, 7-12
7-3	1-0056-06252	8-98048058-0	SCREW	4		
7-4	0-33902-0090	8-98040687-0	NUT	1		
7-5	0-35719-0260	8-98040688-0	REGULATOR ASSY	1		
7-6	0-35760-0041	8-98330489-0	COVER CO	1		
7-7	0-33902-0080	8-98040690-0	NUT	3		
7-8	0-0055-04082		SCREW	2		
7-9	0-0056-05252	1-81229476-0	SCREW	2		
7-10	0-35786-0390		TERMINAL PLATE	1		
7-11	0-35923-0320		COLLAR	1		
7-12	0-09006-0360		NUT	2		



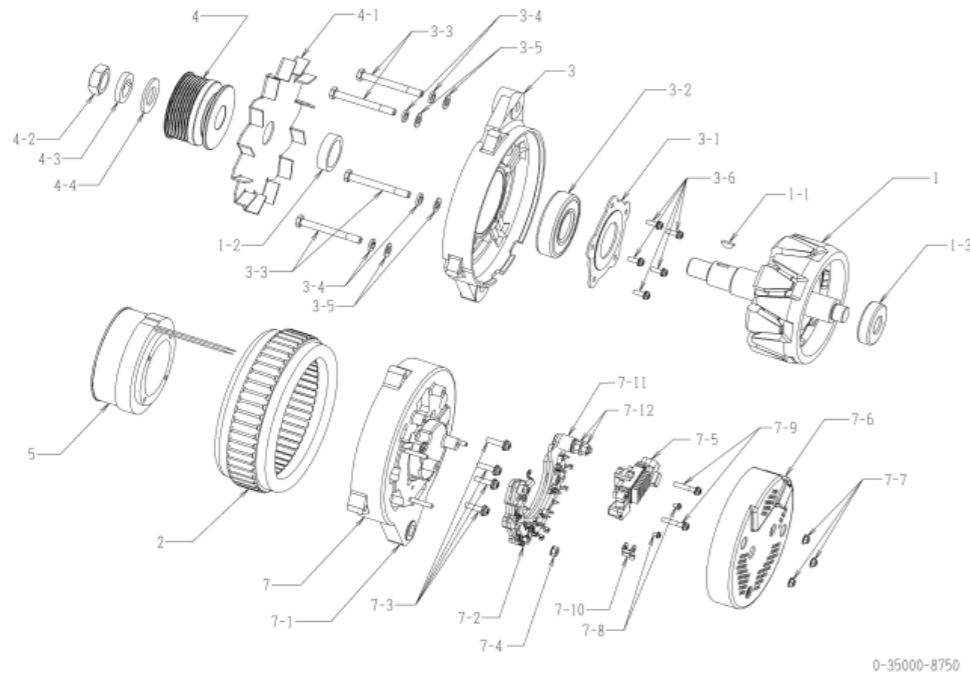
0-35000-8713

0-35000-8750 ALTERNATOR

OEM CUSTOMER	ISUZU	OEM PARTS NUMBER	8-98330085-1
NOMINAL OUT PUT	24V 90A	SUPPLY TERM	16.06~
WEIGHT	18kg	REGULATOR	BUILT-IN
ENGINE MODEL	4HK1-TC		
VEHICLE	FRR90		
DESIGN RECORD	8700 → 8701	FIELD COIL CHANGED	
	8701 → 8702	PULLEY CHANGED	
	8702 → 8703	COVER CHANGED	
	8703 → 8750	REGULATOR CHANGED	
NOTE	13 TYPE V BELT SINGLE PEAK, PK TYPE V BELT 7 PEAKS CLOCKWISE ROTATION PULLEY IS DIFFERENT FROM 0-35000-8760.		

0-35000-8750 ALTERNATOR (MAKER PART NO 8-98330085-1)

No	Parts Number	Maker Parts No	Description	Qty	List Price	Note
1	0-35100-0421	8-98048000-1	ROTOR ASSY	1		
1-1	1-0416-04160	9-82215867-0	WOODRUFF KEY	1		
1-2	1-33923-0890	1-81229626-0	COLLAR	1		
1-3	0-09201-1340	8-98048001-0	BALL BEARING	1		REAR
2	0-35200-0510	8-98048002-0	STATOR ASSY	1		
3	0-35300-0440	8-98048003-0	FRONT BRACKET ASSY	1		INCLUDING 3-1, 3-2, 3-6
3-1	0-35926-0180	8-98048004-0	RETAINER	1		
3-2	0-09201-0760	1-81229631-0	BALL BEARING	1		FRONT
3-3	0-0083-08802	1-81229661-0	BOLT	4		THROUGH BOLT
3-4	1-0335-08002	9-88120280-0	SPRING WASHER	4		
3-5	1-0330-08022	9-82115220-0	PLAIN WASHER	4		
3-6	1-0055-06162	1-81229469-0	SCREW	5		
4	0-35411-1191	8-98048006-0	PULLEY	1		
4-1	1-33421-0501	1-81223003-1	FAN	1		
4-2	0-0280-22022	9-82216098-0	NUT	1		
4-3	1-0335-22002	1-81229672-0	SPRING WASHER	1		
4-4	1-0330-22012	1-81229673-0	PLAIN WASHER	1		
5	0-35120-0511	8-98048008-1	FIELD COIL CO	1		
7	0-35700-1081	8-98367601-0	R.BRACKET ASSY	1		INC. 5, 7-1~7-5, 7-8~7-10
7-1	0-35710-1300	8-98048010-0	REAR BRACKET CO	1		
7-2	0-35730-0790	8-98048011-0	RECTIFIER ASSY	1		NOT INCLUDE 7-11, 7-12
7-3	1-0056-06252	8-98048058-0	SCREW	4		
7-4	0-33902-0090	8-98040687-0	NUT	1		
7-5	0-35719-0330	8-98352534-0	REGULATOR ASSY	1		
7-6	0-35760-0041	8-98330489-0	COVER CO	1		
7-7	0-33902-0080	8-98040690-0	NUT	3		
7-8	0-0055-04082		SCREW	2		
7-9	0-0056-05252	1-81229476-0	SCREW	2		
7-10	0-35786-0390		TERMINAL PLATE	1		
7-11	0-35923-0320		COLLAR	1		
7-12	0-09006-0360		NUT	2		

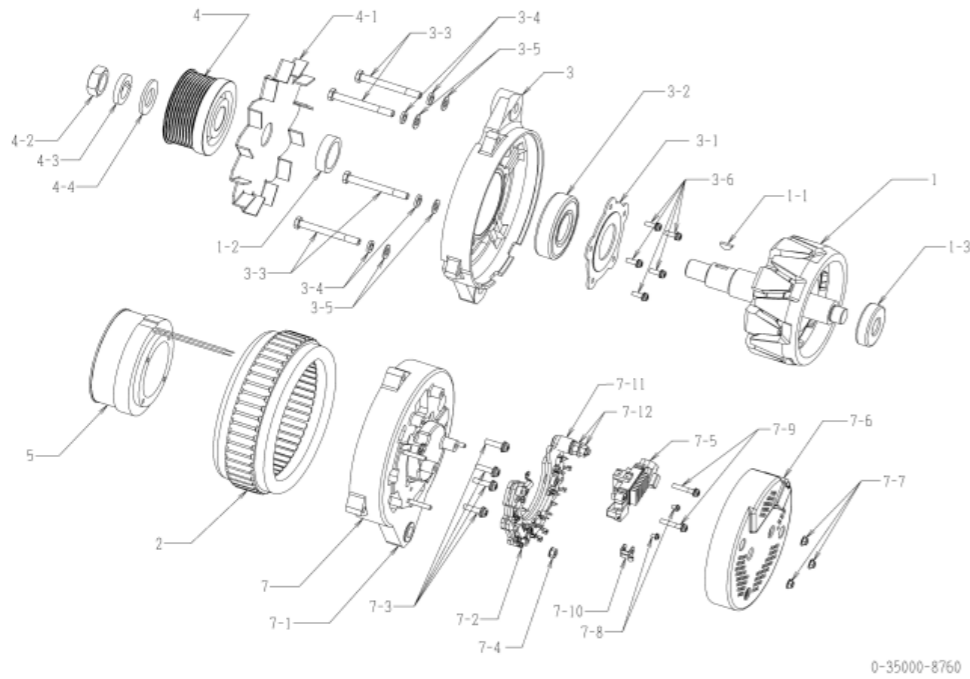


0-35000-8760 ALTERNATOR

OEM CUSTOMER	ISUZU	OEM PARTS NUMBER	8-98330087-1
NOMINAL OUT PUT	24V 90A	SUPPLY TERM	16.06~
WEIGHT	18.3kg	REGULATOR	BUILT-IN
ENGINE MODEL	6HK1-TC		
VEHICLE	FRR34		
DESIGN RECORD	8710 → 8711	FIELD COIL CHANGED	
	8711 → 8712	PULLEY CHANGED	
	8712 → 8713	COVER CHANGED	
	8713 → 8760	REGULATOR CHANGED	
NOTE	PK TYPE V BELT 9PEAKS CLOCKWISE ROTATION PULLEY IS DIFFERENT FROM 0-35000-8750.		

0-35000-8760 ALTERNATOR (MAKER PART NO 8-98330087-1)

No	Parts Number	Maker Parts No	Description	Qty	List Price	Note
1	0-35100-0421	8-98048000-1	ROTOR ASSY	1		
1-1	1-0416-04160	9-82215867-0	WOODRUFF KEY	1		
1-2	1-33923-0890	1-81229626-0	COLLAR	1		
1-3	0-09201-1340	8-98048001-0	BALL BEARING	1		REAR
2	0-35200-0510	8-98048002-0	STATOR ASSY	1		
3	0-35300-0440	8-98048003-0	FRONT BRACKET ASSY	1		INCLUDING 3-1, 3-2, 3-6
3-1	0-35926-0180	8-98048004-0	RETAINER	1		
3-2	0-09201-0760	1-81229631-0	BALL BEARING	1		FRONT
3-3	0-0083-08802	1-81229661-0	BOLT	4		THROUGH BOLT
3-4	1-0335-08002	9-88120280-0	SPRING WASHER	4		
3-5	1-0330-08022	9-82115220-0	PLAIN WASHER	4		
3-6	1-0055-06162	1-81229469-0	SCREW	5		
4	0-35411-1201	8-98048007-0	PULLEY	1		
4-1	1-33421-0501	1-81223003-1	FAN	1		
4-2	0-0280-22022	9-82216098-0	NUT	1		
4-3	1-0335-22002	1-81229672-0	SPRING WASHER	1		
4-4	1-0330-22012	1-81229673-0	PLAIN WASHER	1		
5	0-35120-0511	8-98048008-1	FIELD COIL CO	1		
7	0-35700-1081	8-98367601-0	R.BRACKET ASSY	1		INC. 5, 7-1~7-5, 7-8~7-10
7-1	0-35710-1300	8-98048010-0	REAR BRACKET CO	1		
7-2	0-35730-0790	8-98048011-0	RECTIFIER ASSY	1		NOT INCLUDE 7-11, 7-12
7-3	1-0056-06252	8-98048058-0	SCREW	4		
7-4	0-33902-0090	8-98040687-0	NUT	1		
7-5	0-35719-0330	8-98352534-0	REGULATOR ASSY	1		
7-6	0-35760-0041	8-98330489-0	COVER CO	1		
7-7	0-33902-0080	8-98040690-0	NUT	3		
7-8	0-0055-04082		SCREW	2		
7-9	0-0056-05252	1-81229476-0	SCREW	2		
7-10	0-35786-0390		TERMINAL PLATE	1		
7-11	0-35923-0320		COLLAR	1		
7-12	0-09006-0360		NUT	2		

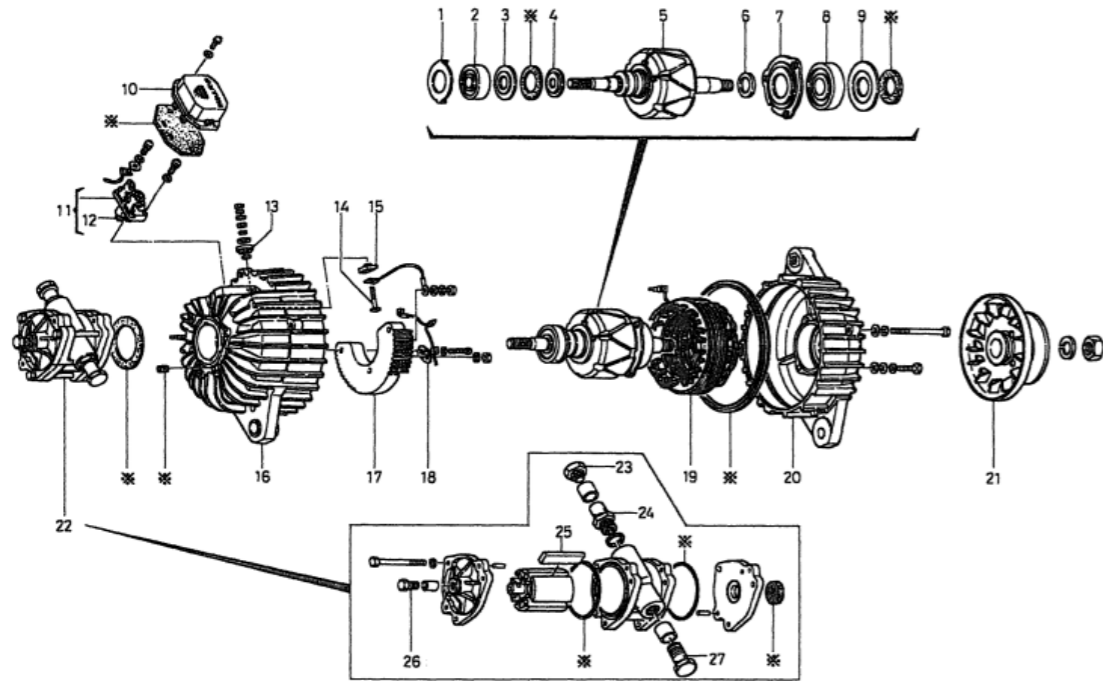


0-39000-6000 ALTERNATOR

OEM CUSTOMER	MITSUBISHI HEAVY INDUSTRY	OEM PARTS NUMBER	34768-03100
NOMINAL OUT PUT	24V 35A	SUPPLY TERM	86.10~
WEIGHT	17kg	REGULATOR	1-44000-0590
ENGINE MODEL	S6E		
VEHICLE	MOTOR		
DESIGN RECORD			
NOTE	#17 TYPE V BELT SINGLE PEAK CLOCKWISE ROTATION		

0-39000-6000 ALTERNATOR (MAKER PART NO 34768-03100)

No	Parts Number	Maker Parts No	Description	Qty	List Price	Note
1	1-33931-0100	34768-03111	CLIP	1		
2	1-09201-0410	34768-03112	BALL BEARING	1		REAR
3	1-33926-0230	34768-03113	RETAINER	1		
4	1-33922-0070	34768-03114	PLATE	1		
5	1-33100-1130	34768-03115	ROTOR ASSY	1		
6	1-33923-0640	34768-03116	COLLAR	1		
7	0-33926-0370	3476803117	RETAINER	1		
8	1-0456-63057	34768-03118	BALL BEARING	1		FRONT
9	1-33926-0460	34768-03119	RETAINER	1		
10	1-44000-0590	34768-03121	REGULATOR	1		
11	1-33720-0811	34768-03122	BRUSH HOLDER CO	1		INCLUDING 12
12	1-33740-0340	34768-03123	BRUSH CO	2		
13	1-33943-0731	34768-03124	INSULATE BUSH	2		
14	0-33901-0471	34768-03125	BOLT	2		B TERMINAL, R TERMINAL
15	1-33943-0870	34768-03126	INSULATE BUSH	2		
16	0-33710-2571	337102571	REAR BRACKET CO	1		
17	1-33730-1820	34768-03128	RECTIFIER ASSY	1		
18	1-33784-0100	34768-03129	CONNECT BAR	1		
19	1-33200-1100	34768-03131	STATOR ASSY	1		
20	1-33310-0972	34768-03132	FRONT BRACKET CO	1		
21	0-33400-1720	34768-03133	PULLEY ASSY	1		
22	7-74000-0400	34768-03134	PUMP	1		INCLUDING OIL SEAL, 23-27
23	0-74901-0080	34768-03135	BOLT	1		
24	0-74130-0090	34768-03136	VALVE ASSY	1		
25	1-74222-0080	34768-03137	VANE	4		
26	0-74901-0100	34768-03138	BOLT	1		
27	0-74901-0090	34768-03139	BOLT	1		
※	7-09210-1480	70921-01480	SEAL ASSY	1		



0-39000-6000

※	7-09210-1480	SEAL ASSY	
	1-09210-0850	OIL SEAL	1
	1-09211-0341	O RING	2
	1-33951-0130	PACKING	1
	1-33951-0280	PACKING	1
	1-33951-0370	PACKING	1
	1-33951-0420	PACKING	1
	1-33951-0560	PACKING	1
	1-33951-0570	PACKING	1